



# ENTOUR SNOW

User Manual

©2024 ADJ Products, LLC all rights reserved. Information, specifications, diagrams, images, and instructions herein are subject to change without notice. ADJ Products, LLC logo and identifying product names and numbers herein are trademarks of ADJ Products, LLC. Copyright protection claimed includes all forms and matters of copyrightable materials and information now allowed by statutory or judicial law or hereinafter granted. Product names used in this document may be trademarks or registered trademarks of their respective companies and are hereby acknowledged. All non-ADJ Products, LLC brands and product names are trademarks or registered trademarks of their respective companies.

**ADJ Products, LLC** and all affiliated companies hereby disclaim any and all liabilities for property, equipment, building, and electrical damages, injuries to any persons, and direct or indirect economic loss associated with the use or reliance of any information contained within this document, and/or as a result of the improper, unsafe, insufficient and negligent assembly, installation, rigging, and operation of this product.

Europe Energy Saving Notice

Energy Saving Matters (EuP 2009/125/EC)

Saving electric energy is a key to help protecting the environment. Please turn off all electrical products when they are not in use. To avoid power consumption in idle mode, disconnect all electrical equipment from power when not in use. Thank you!

**DOCUMENT VERSION**



Due to additional product features and/or enhancements, an updated version of this document may be available online.

Please check [www.adj.com](http://www.adj.com) for the latest revision/update of this manual before beginning installation and/or programming.

Date	Document Version	Software Version	DMX Channels	Notes
10/24/2017	1	1.01	1 / 3 / 5	Initial release
12/18/2024	1.1	N/C	No Change	Updated Operation, Specifications, general formatting

# CONTENTS

<b>Introduction</b>	<b>4</b>
<b>Limited Warranty (USA Only)</b>	<b>5</b>
<b>Warranty Registration</b>	<b>6</b>
<b>Safety Precautions</b>	<b>7</b>
<b>Overview</b>	<b>8</b>
<b>DMX Set Up</b>	<b>9</b>
<b>General Set Up   Control Panel</b>	<b>11</b>
<b>Operation</b>	<b>12</b>
<b>DMX Mode   DMX Traits</b>	<b>13</b>
<b>Maintenance</b>	<b>14</b>
<b>Storage   Specifications</b>	<b>16</b>
<b>Dimensional Drawings</b>	<b>17</b>

# INTRODUCTION

**Unpacking:** Thank you for purchasing the Entour Snow by ADJ Products, LLC. Every device has been thoroughly tested and has been shipped in perfect operating condition. Carefully check the shipping carton for damage that may have occurred during shipping. If the carton appears to have been damaged, carefully inspect your fixture for any damage and be sure all accessories necessary to operate the unit have arrived intact. In the event that damage has been found or parts are missing, please contact our toll free customer support number for further instructions. Do not return this unit to your dealer without first contacting customer support.

**Customer Support:** Contact ADJ Service for any product related service and support needs. Also visit [forums.adj.com](http://forums.adj.com) with questions, comments or suggestions.

**Parts:** To purchase parts online visit:

<http://parts.adj.com> (US)

<http://www.adjparts.eu> (EU)

**ADJ SERVICE USA - Monday - Friday 8:00am to 4:30pm PST**

**Voice: 800-322-6337 | Fax: 323-582-2941 | [support@adj.com](mailto:support@adj.com)**

**ADJ SERVICE EUROPE - Monday - Friday 08:30 to 17:00 CET**

**Voice: +31 45 546 85 60 | Fax: +31 45 546 85 96 | [support@adj.eu](mailto:support@adj.eu)**

## **ADJ PRODUCTS LLC USA**

6122 S. Eastern Ave. Los Angeles, CA. 90040

323-582-2650 | Fax 323-532-2941 | [www.adj.com](http://www.adj.com) | [info@adj.com](mailto:info@adj.com)

## **ADJ SUPPLY Europe B.V**

Junostraat 2 6468 EW Kerkrade, The Netherlands

+31 (0)45 546 85 00 | Fax +31 45 546 85 99

[www.adj.eu](http://www.adj.eu) | [info@adj.eu](mailto:info@adj.eu)

## **ADJ PRODUCTS GROUP Mexico**

AV Santa Ana 30 Parque Industrial Lerma, Lerma, Mexico 52000

+52 (728) 282-7070

**WARNING!** To prevent or reduce the risk of electrical shock or fire, do not expose this unit to rain or moisture.

**CAUTION!** There are no user serviceable parts inside this unit. Do not attempt any repairs yourself, doing so will void your manufactures warranty. In the unlikely event your unit may require service please contact ADJ Products, LLC.

Do not discard the shipping cartoon in the trash. Please recycle when ever possible.

**NEVER POINT OR AIM A SNOW MACHINE TOWARDS PEOPLE OR THEIR CLOTHING!**

# LIMITED WARRANTY (USA ONLY)

- A. ADJ Products, LLC hereby warrants, to the original purchaser, ADJ Products, LLC products to be free of manufacturing defects in material and workmanship for a prescribed period from the date of purchase (see specific warranty period on reverse). This warranty shall be valid only if the product is purchased within the United States of America, including possessions and territories. It is the owner's responsibility to establish the date and place of purchase by acceptable evidence, at the time service is sought.
- B. For warranty service, you must obtain a Return Authorization number (RA#) before sending the product back—please contact ADJ Products, LLC Service Department at 800-322-6337. Send the product only to the ADJ Products, LLC factory. All shipping charges must be prepaid. If the requested repairs or service (including parts replacement) are within the terms of this warranty, ADJ Products, LLC will pay return shipping charges only to a designated point within the United States. If the entire instrument is sent, it must be shipped in its original package and packaging material. No accessories should be shipped with the product. If any accessories are shipped with the product, ADJ Products, LLC shall incur no liability whatsoever for loss of or damage to any such accessories, nor for the safe return thereof.
- C. This warranty is void if the product serial number and/or labels are altered or removed; if the product is modified in any manner which ADJ Products, LLC concludes, after inspection, affects the reliability of the product; if the product has been repaired or serviced by anyone other than the ADJ Products, LLC factory unless prior written authorization was issued to purchaser by ADJ Products, LLC; if the product is damaged because it was not properly maintained as set forth in the product instructions, guidelines and/or user manual.
- D. This is not a service contract, and this warranty does not include maintenance, cleaning, or periodic checkup. During the period specified above, ADJ Products, LLC will replace defective parts at its expense with new or refurbished parts, and will absorb all expenses for warranty service and repair labor by reason of defects in material or workmanship. The sole responsibility of ADJ Products, LLC under this warranty shall be limited to the repair of the product, or replacement thereof, including parts, at the sole discretion of ADJ Products, LLC. All products covered by this warranty were manufactured after August 15, 2012, and bear identifying marks to that effect.
- E. ADJ Products, LLC reserves the right to make changes in design and/or improvements upon its products without any obligation to include these changes in any products theretofore manufactured.
- F. No warranty, whether expressed or implied, is given or made with respect to any accessory supplied with products described above. Except to the extent prohibited by applicable law, all implied warranties made by ADJ Products, LLC in connection with this product, including warranties of merchantability or fitness, are limited in duration to the warranty period set forth above. And all warranties, whether expressed or implied, including warranties of merchantability or fitness, are limited in duration to the warranty period set forth above. The consumer's and/or dealer's sole remedy shall be such repair or replacement as is expressly provided above; and under no circumstances shall ADJ Product, LLC be liable for any loss and/or damage, direct and/or consequential arising out of the use of, and/or inability to use this product.
- G. This warranty is the only written warranty applicable to ADJ Products, LLC products, and supersedes all prior warranties and written descriptions of warranty terms and conditions heretofore published.

## MANUFACTURER'S LIMITED WARRANTY PERIODS:

- Non-LED Lighting Products = 1-Year (365 Days) (Including Special Effect Lighting, Intelligent Lighting, UV lighting, Strobes, Fog Machines, Bubble Machines, Mirror Balls, Par Cans, Trussing, Lighting Stands, Power/Data Distribution, etc. excluding LED and lamps)
- Laser Products = 1-Year (365 Days) (excluding laser diodes which have a 6-Month Limited Warranty)
- LED Products = 2-Year (730 Days) (excluding batteries which have a 180 Day Limited Warranty)
- NOTE: 2-Year (730 Days) Limited Warranty ONLY applies to product purchased within the United States. StarTec Series = 1-Year (365 Days) (excluding batteries which have a 180 Day Limited Warranty)
- ADJ DMX Controllers = 2 Year (730 Days)
- American Audio Products = 1 Year (365 Days)

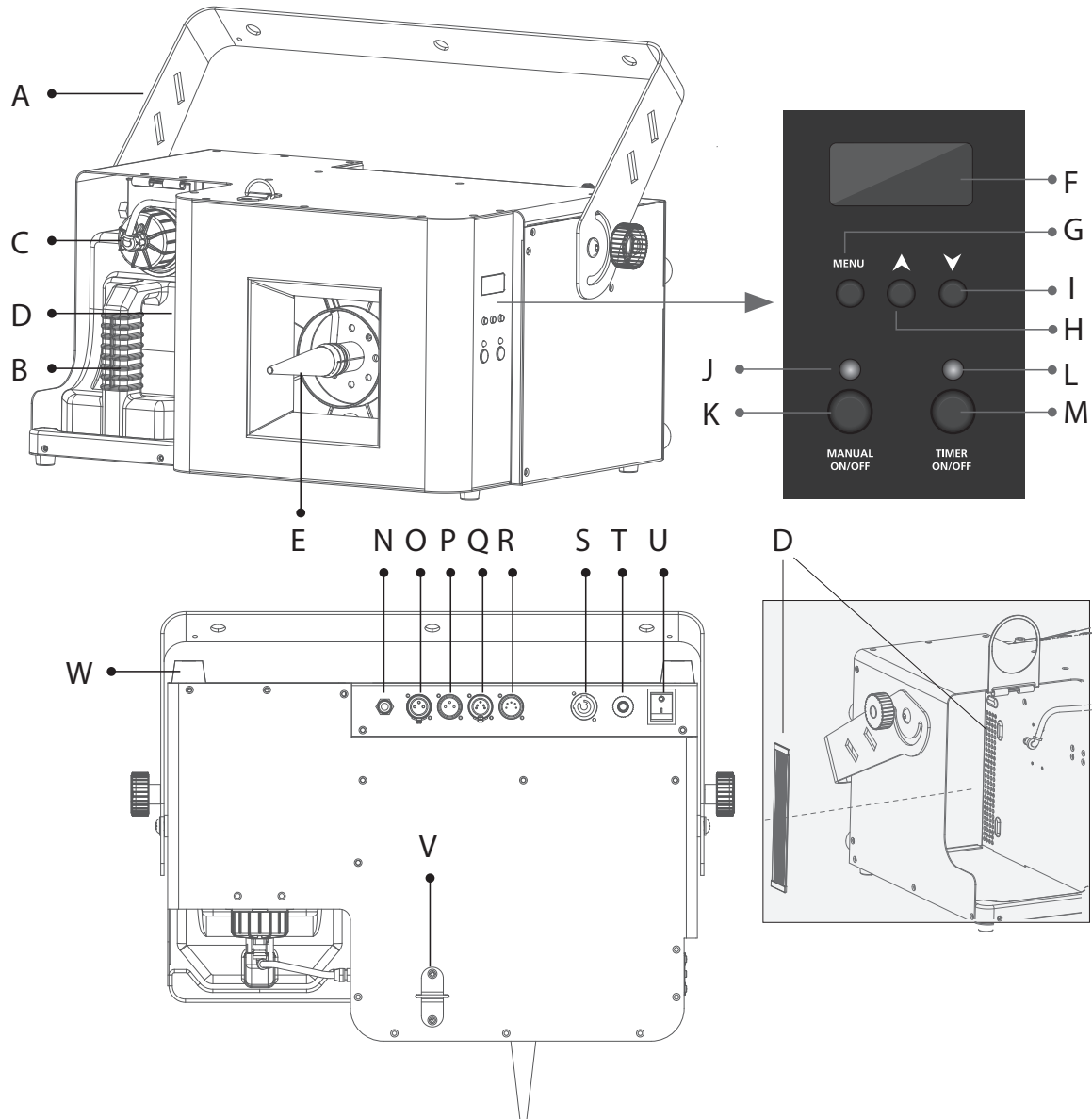
# WARRANTY REGISTRATION

The Entour Snow machine carries a one year (365 days) limited warranty. Please fill out the enclosed warranty card to validate your purchase. All returned service items whether under warranty or not, must be freight pre-paid and accompany a return authorization (R.A.) number. The R.A. number must be clearly written on the outside of the return package. A brief description of the problem as well as the R.A. number must also be written down on a piece of paper and included in the shipping container. If the unit is under warranty, you must provide a copy of your proof of purchase invoice. You may obtain a R.A. number by contacting customer support at (800) 322-6337.

# SAFETY PRECAUTIONS

- Save the factory packaging for use in the event that the unit needs to be shipped back to the manufacturer for service.
- Do not spill water or other liquids into or on to your device.
- Ensure that all the snow fluid is contained inside the fluid reservoir.
- Ensure that the voltage of the local power source matches the required voltage for your device.
- Do not remove the top cover for any reason. There are no user serviceable parts inside.
- Disconnect the unit's main power when left unused for long periods of time.
- Never connect this unit to a dimmer pack.
- Do not attempt to operate this unit if it has been damaged in any way.
- Never operate this unit with the cover removed.
- To reduce the risk of electrical shock or fire, do not expose this unit rain or moisture.
- Do not attempt to operate this unit if the power cord is frayed or broken.
- Do not attempt to remove or break off the ground prong from the electrical cord. This prong is used to reduce the risk of electrical shock and fire in the event of an internal short.
- Disconnect from main power before making any type of connection.
- Never block the ventilation holes. Always be sure to mount this unit in an area that will allow proper ventilation. Allow about 6" (15cm) between this device and a wall.
- This unit is intended for indoor use only, and use of this product outdoors voids all warranties.
- Always mount this unit in a safe and stable matter.
- Please route your power cord out of the way of foot traffic. Power cords should be routed so they are not likely to be walked on, pinched by items placed upon or against them.
- Qualified service personnel should service the device if the following conditions occur:
  - A. The power-supply cord or the plug have been damaged.
  - B. Objects have fallen onto, or liquids have been spilled into, the fixture.
  - C. The device has been exposed to rain or water.
  - D. The fixture does not appear to operate normally or exhibits a marked change in performance.

# OVERVIEW



- A. Hanging Bracket with Handle Screw (compatible with tripod mounting)
- B. Unique Anti-Spill Tank
- C. Quick Connector
- D. Inlet with Magnetic Air Filter
- E. Snow Nozzle with Cloth
- F. LCD Display
- G. Menu Button
- H. Up Button
- I. Down Button
- J. Manual On/Off LED Indicator
- K. Manual On/Off

- L. Timer On/Off LED Indicator
- M. Timer On/Off
- N. Control Socket Connection
- O. DMX 3-pin XLR Output
- P. DMX 3-pin XLR Input
- Q. DMX 5-pin XLR Output
- R. DMX 5-pin XLR Input
- S. Power Input
- T. NFB (No-Fuse Breaker)
- U. Power Switch
- V. Suspension/Safety Ring
- W. Pad

# DMX SET UP

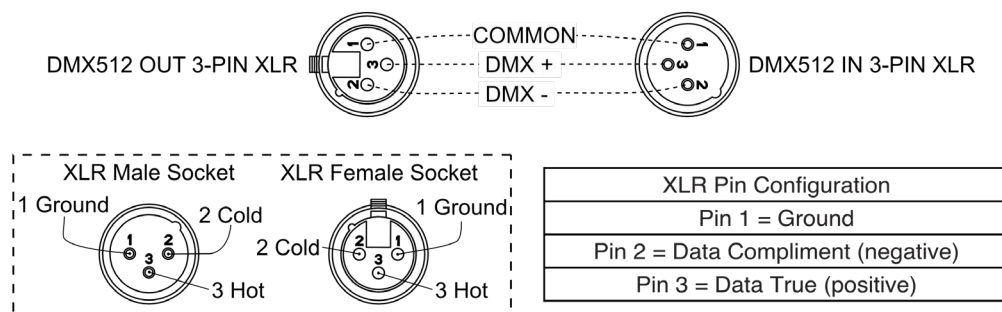
**Power Supply:** Before plugging your unit in, ensure that the voltage of the power source matches the required voltage for your device. The ADJ Entour Snow is available in a 120v and 240v version. Because line voltage may vary from venue to venue, you should be sure your unit voltage matches the wall outlet voltage before attempting to operate you fixture.

**DMX-512:** DMX is short for Digital Multiplex. This is a universal protocol used as a form of communication between intelligent fixtures and controllers. A DMX controller sends DMX data instructions from the controller to the fixture. DMX data is sent as serial data that travels from fixture to fixture via the DATA “IN” and DATA “OUT” XLR terminals located on all DMX fixtures (most controllers only have a DATA “OUT” terminal).

**DMX Linking:** DMX is a language allowing all makes and models of different manufacturers to be linked together and operate from a single controller, as long as all fixtures and the controller are DMX compliant. To ensure proper DMX data transmission, try to use the shortest cable path possible when linking several DMX fixtures. The order in which fixtures are connected in a DMX line does not influence the DMX addressing. For example, a fixture assigned a DMX address of 1 may be placed anywhere in a DMX line: at the beginning, at the end, or anywhere in the middle. When a fixture is assigned a DMX address of 1, the DMX controller knows to send DATA assigned to address 1 to that unit, no matter where it is located in the DMX chain.

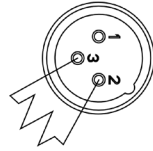
**Data Cable (DMX Cable) Requirements (For DMX Operation):** This unit can be controlled via DMX-512 protocol. The DMX address is set on the rear panel of the unit. Your unit and your DMX controller require a standard 3-pin XLR connector for data input and data output. We recommend Accu-Cable DMX cables. If you are making your own cables, be sure to use standard 110-120 Ohm shielded cable (This cable may be purchased at almost all pro lighting stores). Your cables should be made with a male XLR connector at one end and a female XLR connector at the other. Also remember that DMX cable must be daisy chained and cannot be split.

**Notice:** Be sure to follow fthe illustration below when making your own cables. Do not use the ground lug on the XLR connector. Do not connect the cable’s shield conductor to the ground lug or allow the shield conductor to come in contact with the XLR’s outer casing. Grounding the shield could cause a short circuit and erratic behavior.



# DMX SET UP

**Special Note: Line Termination.** When longer runs of cable are used, you may need to use a terminator on the last unit to avoid erratic behavior. A terminator is a 110-120 ohm 1/4 watt resistor which is connected between pins 2 and 3 of a male XLR connector (DATA + and DATA -). This unit is inserted in the female XLR connector of the last unit in your daisy chain to terminate the line. Using a cable terminator (ADJ part number Z-DMX/T) will reduce the risk of erratic behavior.



A DMX512 terminator reduces signal errors, avoiding most signal reflection interference. Connect PIN 2 (DMX-) and PIN 3 (DMX+) of the last fixture in series with a 120 Ohm, 1/4 W Resistor to terminate the DMX512.

**5-Pin XLR DMX Connectors.** Some manufacturers use 5-pin DMX-512 data cables for DATA transmission in place of 3-pin. 5-pin DMX fixtures may be implemented in a 3-pin DMX line by using cable adaptors, which are readily available at most electronics stores. The chart below details a proper cable conversion.



3-Pin XLR to 5-Pin XLR Conversion		
Ground/Shield	Pin 1	Pin 1
Data Compliment (- signal)	Pin 2	Pin 2
Data True (+ signal)	Pin 3	Pin 3
Not Used		Do Not Use
Not Used		Do Not Use

# GENERAL SET-UP

1. Open the shipping carton and carefully remove the unit from the shipping carton.
2. Be sure to remove all the packing material, paying special attention to the area around the snow outlet.
3. Set the machine on a flat dry surface and fill the fluid reservoir with the recommended grade of ADJ brand snow fluid. Insert the feeder tube with the filter into the reservoir and tighten the cap.
4. Plug the unit into a matching power supply. The unit is now ready for operation.

# CONTROL PANEL



**MENU BUTTON** - Press this button to cycle between manual mode, DMX channel mode, and DMX addressing. Use the UP and DOWN buttons to adjust the DMX address and change the DMX channel mode.

**UP BUTTON** - Use this button to switch between DMX channel modes and adjust the DMX address. This button is also used to adjust the fan output snow output, interval time, and duration time.

**DOWN BUTTON** - Use this button to switch between DMX channel modes and adjust the DMX address. This button is also used to adjust the fan output snow output, interval time, and duration time.

**MANUAL BUTTON** - Press this button to manually control snow output.

**TIMER ON/OFF BUTTON** - Press this button to activate the timer function.

# OPERATION

## ***TIMER OPERATION: Not compatible with DMX controller in this operational mode.***

1. Press the MENU button to scroll through snow output setting, wind setting, interval setting and duration setting.
2. When “SNOW” is displayed, use the UP or DOWN buttons to adjust the amount of snow output. The value can be adjusted between 1-100 or AUTO (Random). To set the unit to AUTO, press the UP button until you get to 100 and press the UP button again to display “SNOW AUTO”.
3. Press the MENU button again to adjust the “WIND” output. Use the UP or DOWN buttons to toggle between “50%”, “100%”, or “AUTO” (Random).
4. Press the MENU button to adjust the interval, which determines the length of the pause between periods of snow output. Use the UP or DOWN buttons to adjust interval time, with selectable values ranging from 0s - 255s.
5. Press the MENU button to adjust duration, which determines the period of continuous output between interval periods. Use the UP or DOWN buttons to adjust duration time, with selectable values ranging from 0s - 255s. Press the MENU button again to return to the home screen.
6. Press the TIMER button to activate the timer function. Press the TIMER button again to deactivate the timer function.

## ***MANUAL OPERATION:***

1. Press the MENU button to scroll through snow output setting, and (wind) fan setting. Interval and duration are not used with manual operation.
2. When “SNOW” is displayed, use the UP or DOWN buttons to adjust the amount of snow output. The value can be adjusted between 1-100 or AUTO (random). To set the unit to AUTO, press the UP button until you get to 100, then press the UP button again to display “SNOW AUTO”.
3. Press the MENU button again to adjust the “WIND” output. Use the UP or DOWN buttons to toggle between “50%”, “100%”, or “AUTO” (Random).
4. Press the MENU button to adjust the interval. Press the MANUAL ON/OFF button to activate the snow output. Press the MANUAL ON/OFF button again to deactivate stop output.

**NOTE: Maximum snow output distance is up to 12 meters (39 feet), and maximum snow height is up to 10 meters (32 feet).**

# DMX MODE

The Entour Snow has 3 DMX channel modes: 1 channel mode, 3 channel mode, and 5 channel mode. Refer to the **DMX Traits** section for details. This function will allow you to control the unit with a standard DMX 512 controller.

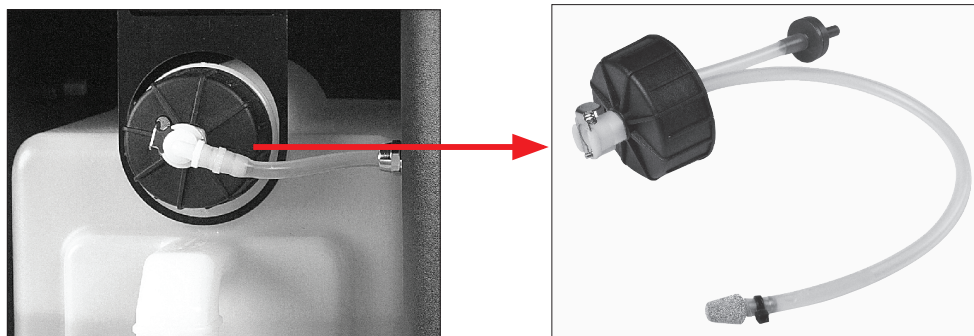
1. Press the MENU button until “DMX ADDR” is displayed. Use the UP or DOWN buttons to find your desired DMX address.
2. Once you have set your DMX address, press the MENU button until “DMX MODE” is displayed. Use the UP or DOWN buttons to find your desired DMX channel mode. Detailed information on the different channels and functions can be found in the **DMX Traits** section.
3. After you have chosen your desired DMX Channel mode, plug in the fixture via the XLR connections to any standard DMX controller.

# DMX TRAITS

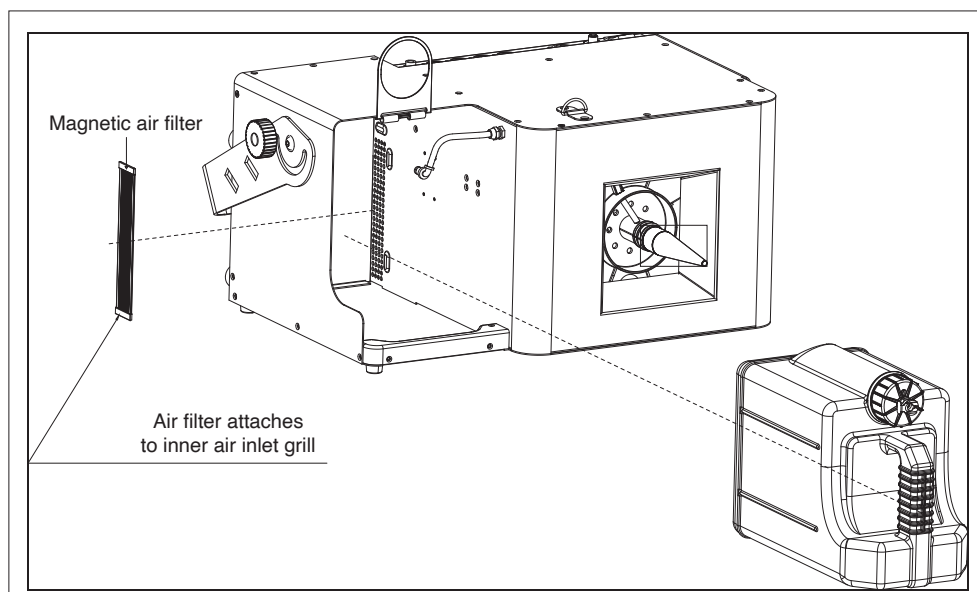
1CH	3CH	5CH	DMX VALUES	FUNCTION
1	1	1		<b>Output Volume</b>
			0 - 249	0% - 100% Output
			250 - 255	Auto Random Show
	2	2		<b>Fan Speed</b>
			0 - 124	50% Fan Speed
			125 - 249	100% Fan Speed
			250 - 255	Auto Random Speed
	3	3		<b>Snow On / Off</b>
			0 - 127	Snow Off
			128 - 255	Snow On
		4		<b>Duration</b>
			0 - 255	0 - 255 seconds
		5		<b>Interval</b>
			0 - 255	0 - 255 seconds

# MAINTENANCE

The fluid should be kept as clean as possible. Always make sure the cap and the snow fluid line are clean and free of debris when opening and closing the fluid reservoir. If the nozzle becomes clogged with accumulated debris, contact ADJ customer service for a replacement.

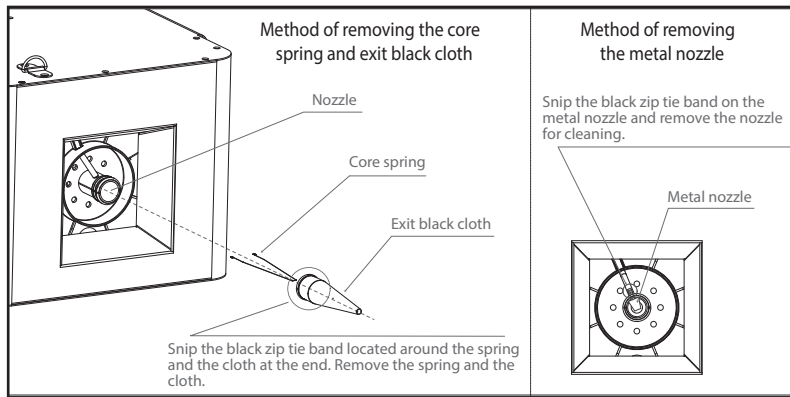


With prolonged use, the air filter can accumulate dust. Periodically remove the fluid tank by unscrewing the cap and lifting up the tank holder. The tank can now be removed from its socket, and the magnetic filter can be removed for cleaning. After cleaning, be sure to dry the air filter before re-installation. The filter attaches to the inner air inlet grill. If you would like to replace the air filter, contact ADJ customer service.



# MAINTENANCE

To remove the cloth and spring, carefully snip the black zip tie that secures the cloth in the place, and be careful not to cut the cloth. Remove the cloth and and spring. Clean the cloth and spring and reinstall securely with a zip tie.



# STORAGE

The device should be stored in a cool area. Cover the device to prevent dust build up. When storing for long periods of time, it is highly advised to run the device once every 3-4 months, as long periods of inactivity can severely shorten the life of your device. **Only run water based snow juice through this device. Never run plain water, vinegar, or any other liquid solution through your device, as running anything other than water based snow juice will cause severe damage.**

# SPECIFICATIONS

- 1250W Professional DMX Snow Machine
- 3 DMX Channel Modes; 1/3/5
- LCD Function Display with built-in remote with Timer, Continuous Snow & Manual control
- No warm-up time necessary
- Fan speed adjustment 50% or 100%
- External fluid tank: 5.6 Liter
- Fluid Consumption Rate: 500ml/min
- Power Consumption: 1250W
- 3-pin & 5-pin DMX In/Out
- Locking power Input
- Uses ADJ Snow Gal snow fluid
- Hanging Bracket
- Safety cable latch
- On/Off button
- 1/4-inch jack for optional ENTOUR VT-1 remote controller
- Dimensions (LxWxH): 21.65" x 15.39" x 10.11" / 550 x 391 x 257mm
- Weight: 30 lbs. / 13.5 kg.

# DIMENSIONAL DRAWINGS

