








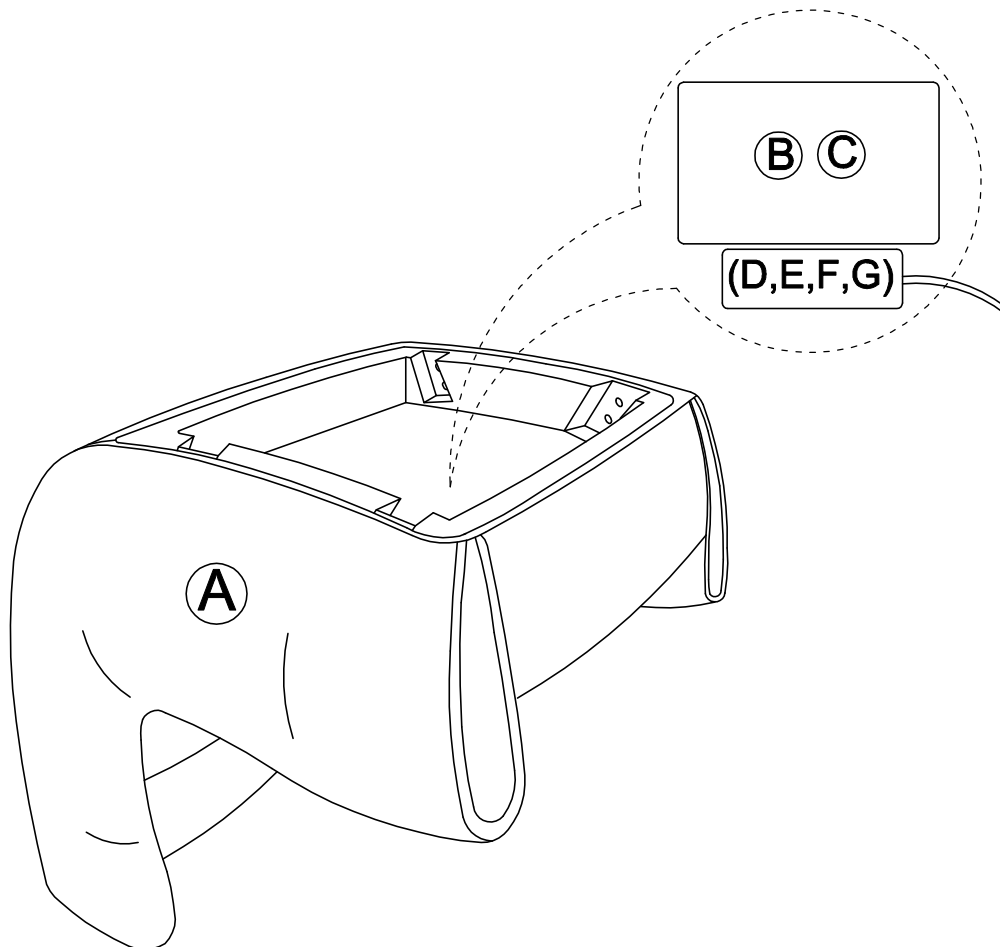
# ASSEMBLY INSTRUCTION

ITEM NO: 1098BEG-1,1098DGY-1,1098BUE-1

## ACCENT CHAIR

| NO. | PARTS LIST  | QTY | DESCRIPTION          | NO. | PARTS LIST   | QTY | DESCRIPTION                 |
|-----|---|-----|----------------------|-----|--|-----|-----------------------------|
| A   |  | 1   | Seat Frame           | E   |   | 8   | Flat Washer<br>M8*Ø22*1.5mm |
| B   |  | 2   | Wooden Rear Leg      | F   |   | 8   | Lock Washer<br>M8           |
| C   |  | 2   | Wooden Front Leg     | G   |  | 1   | Allen Key<br>M5*100*50mm    |
| D   |  | 8   | Allen Bolt<br>ØM8*60 |     |  |     |                             |

**STEP 1:** Take all the parts from seat frame(A).

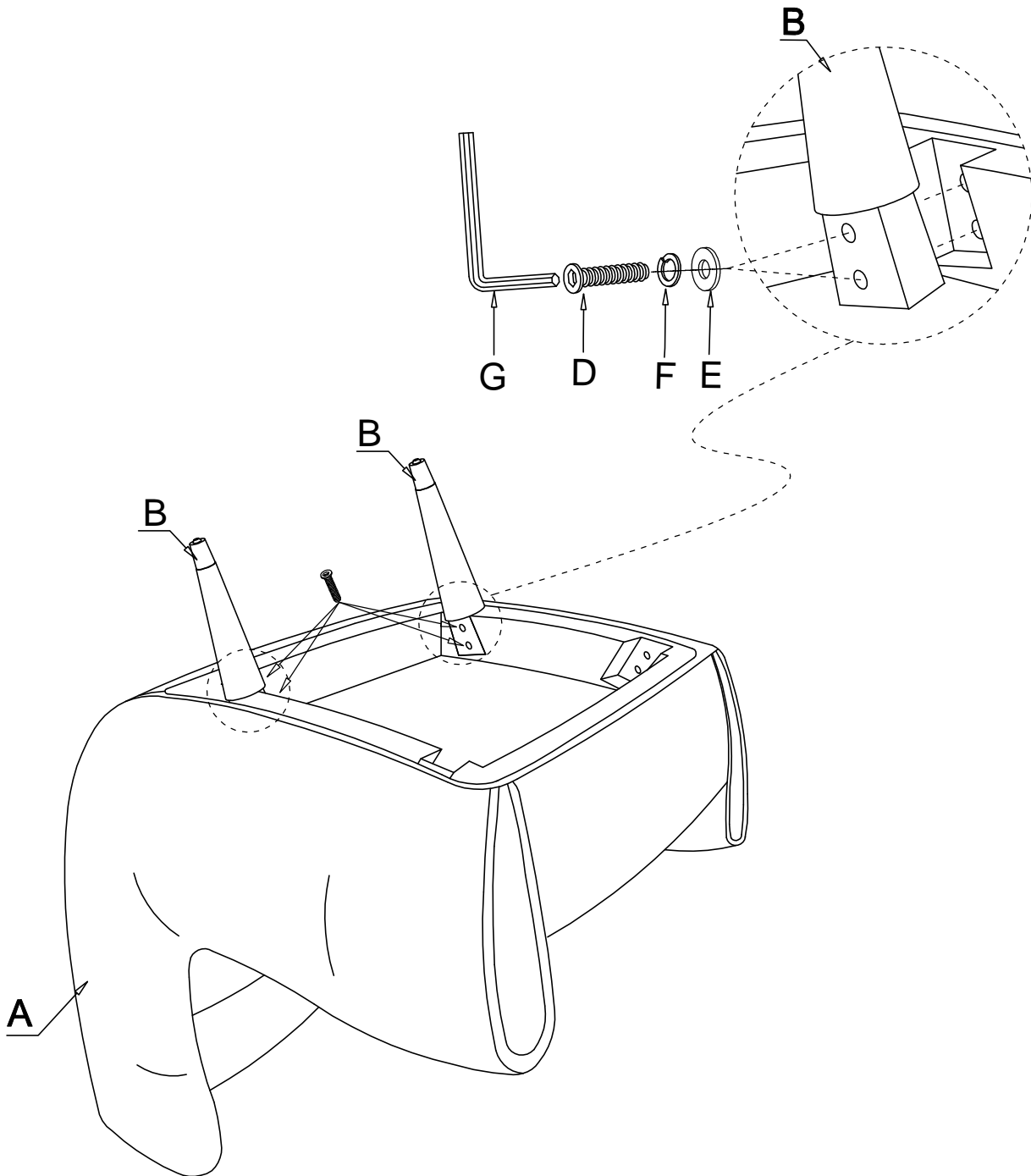


# ASSEMBLY INSTRUCTION

ITEM NO: 1098BEG-1,1098DGY-1,1098BUE-1

## ACCENT CHAIR

**STEP 2:** Insert Wooden Rear Leg(B) in to correct location.  
Screw Lock Washer(F), Flat Washer(E), Allen Bolt(D), Allen Key(G).

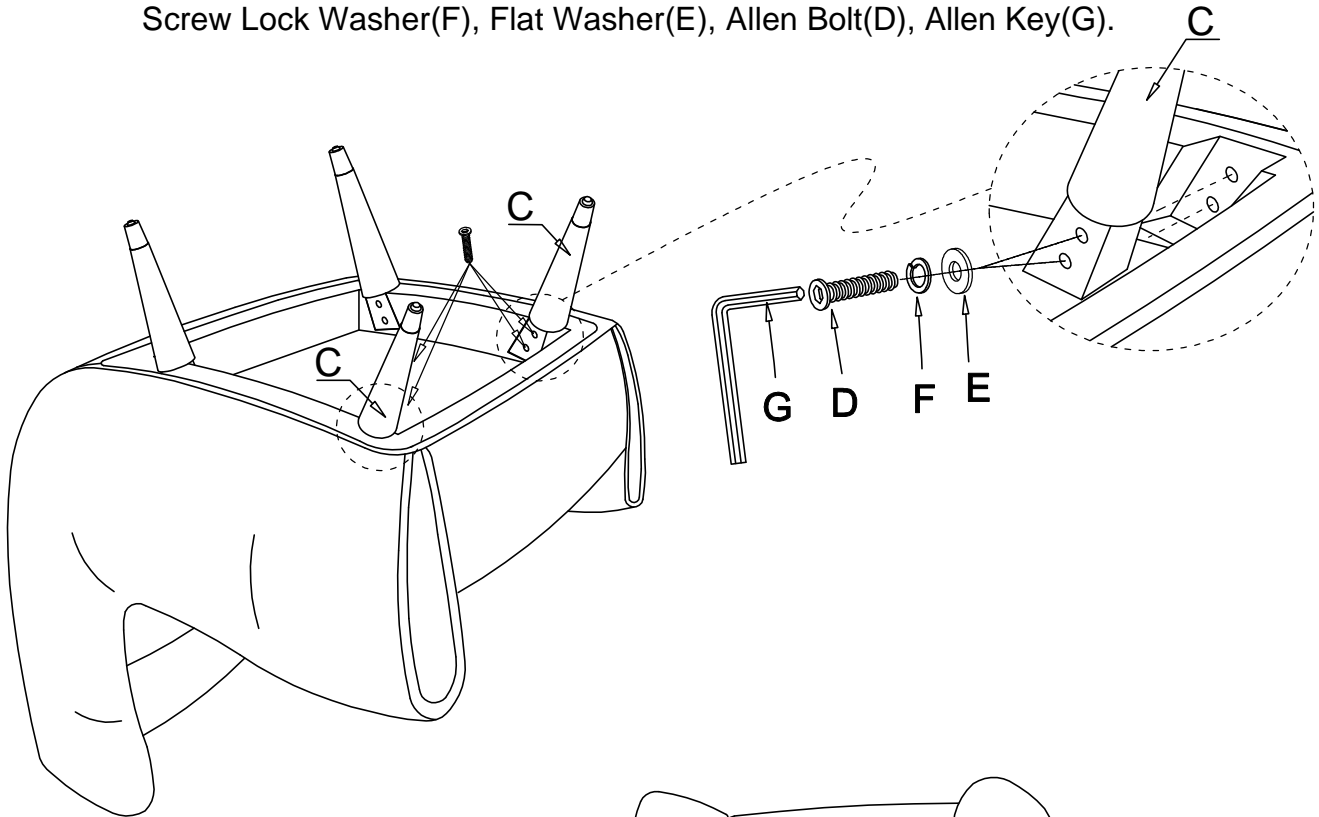


# ASSEMBLY INSTRUCTION

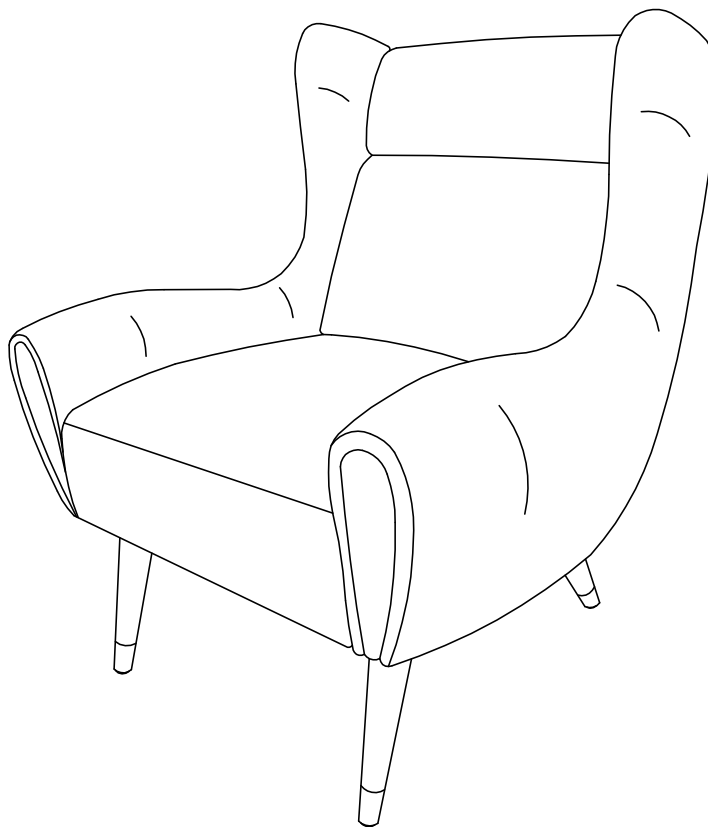
ITEM NO: 1098BEG-1,1098DGY-1,1098BUE-1

## ACCENT CHAIR

**STEP 3:** Insert Wooden Front Legs(C) in to correct location .  
Screw Lock Washer(F), Flat Washer(E), Allen Bolt(D), Allen Key(G).



**STEP 4:** Complete



### CARE INSTRUCTION FOR FABRIC FURNITURE

In order to maintain the original appearance of your fabric furniture, please follow below simple care procedures.

°Avoid exposing furniture directly to sunlight or heating and air conditioning outlets. Exposure to sunlight or heating and air conditioning outlets will fade/damage fabric.

°Wipe gently with a damp soft cloth to remove dust, dirt and any grime build up.