

AiM Solo 2/Solo 2 DL kit for Kawasaki Ninja* from 2016

Installation guide

Fig. 1/4

Fix the adapter bracket through the two M6 holes under the steering plate using the M6x12 screws and the toothed washers you find in the kit. If needed remove the bike screen

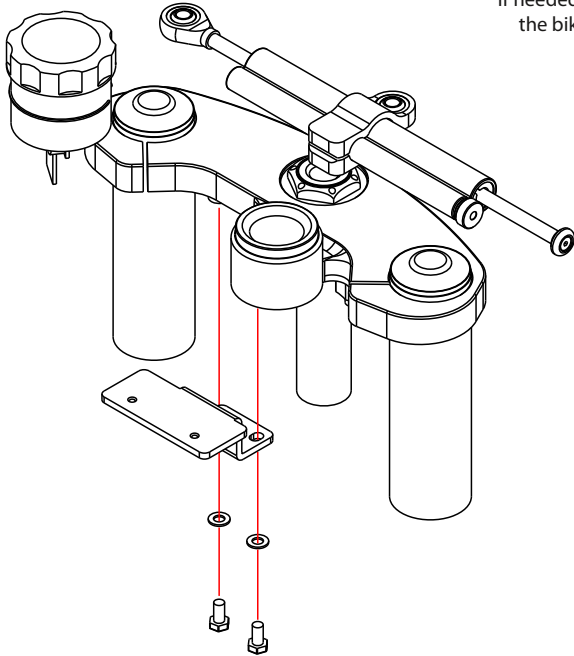


Fig. 2/4

Fix Solo plate on the adapter bracket using M4x10 screws included in the kit

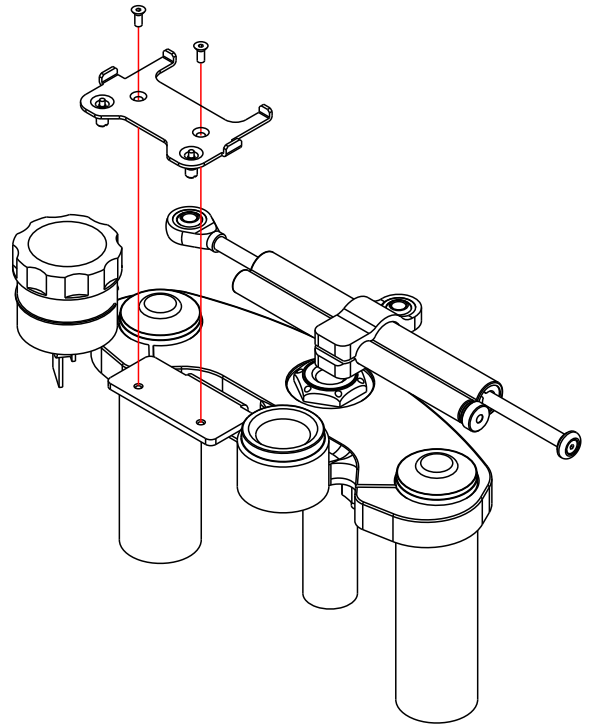


Fig. 3/4

Place Solo 2 on its plate

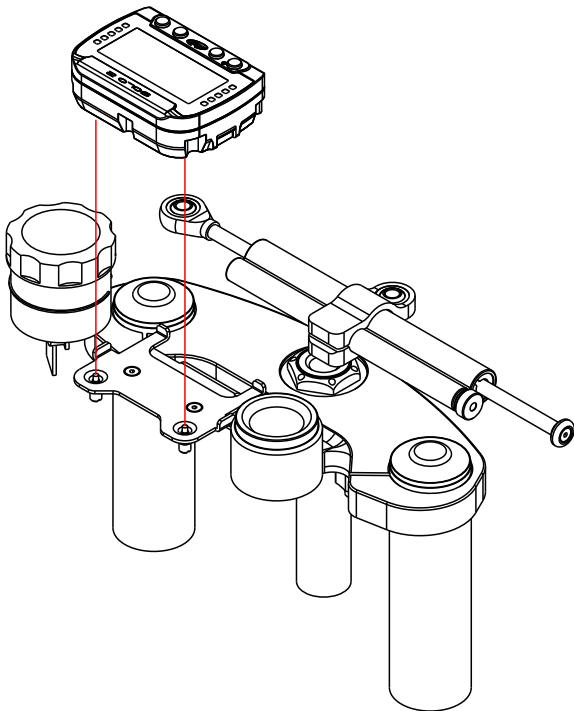
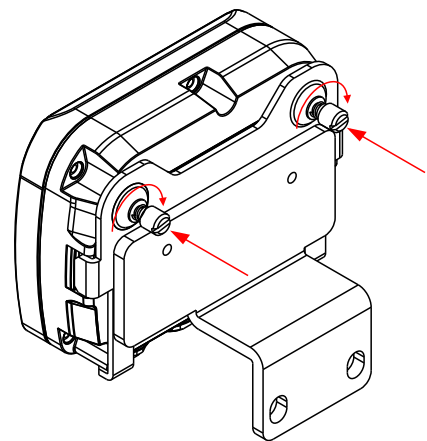


Fig. 4/4

Fix Solo 2 to the plate using the rear screws previously inserted in the metal plate



* Kawasaki Ninja ZX-10R and ZX-10R Racing kit

