

# INSTRUCTION MANUAL

AIR 105-ZJ

AIR 105-G

AIR 105





## **NOTICE**

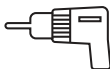
Please keep this manual for future reference.

- Firmly tighten all bolts, screws, and knobs before use.
- Check all bolts, screws, and knobs every 90 days to ensure they remain secure.
- During assembly, fasten screws loosely at first. Do not fully tighten until the entire unit is assembled.
- Do not use or store this product near open flames or flammable materials.
- Some parts may be heavy or have sharp edges—use caution.
- Moving parts may cause injury, pinching, or cuts—handle with care.
- If any parts are missing, broken, or damaged, discontinue use until repairs or replacements are made.
- Use this product only as described in the instructions. Improper use may void the warranty.

## TOOLS REQUIRED //



Phillips  
screwdriver



Drill  
(recommended)



Two-person assembly  
recommended



Estimated assembly  
time: 45 minutes

## HARDWARE //

M3.5 x 50 mm screw  
8 pcs + 1 spare



P1

M3.5 x 35 mm screw  
8 pcs + 1 spare



P2

M3.5 x 25 mm screw  
6 pcs + 1 spare



P3

M3.0 x 10 mm screw  
8 pcs + 1 spare



P4

Mushroom cap  
4 pcs



P5

Magnetic catch  
2 pcs



P6

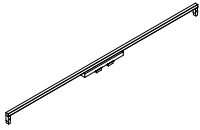
M3.5 x 40 mm screw  
10 pcs + 1 spare



P7

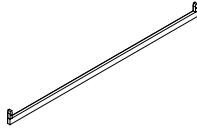
# PARTS

Top connection strip  
1 pc



A

Bottom connection strip  
1 pc



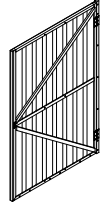
B

Left door panel  
1 pc



C

Right door panel  
1 pc



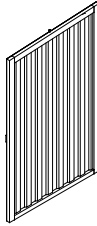
D

Back panel  
2 pc



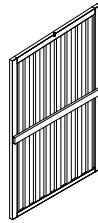
E

Left panel  
1 pc



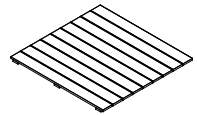
F

Right panel  
1 pc



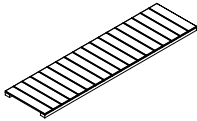
G

Bottom panel  
2 pc



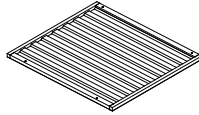
H

Shelf  
1 pc



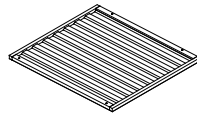
I

Left roof panel  
1 pc



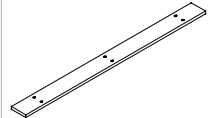
J

Right roof panel  
1 pc



K

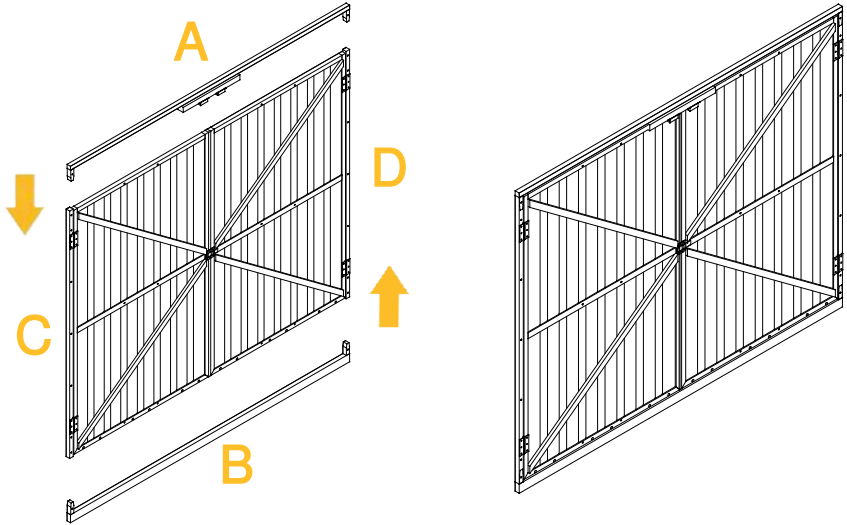
Roof joint cover  
1 pc



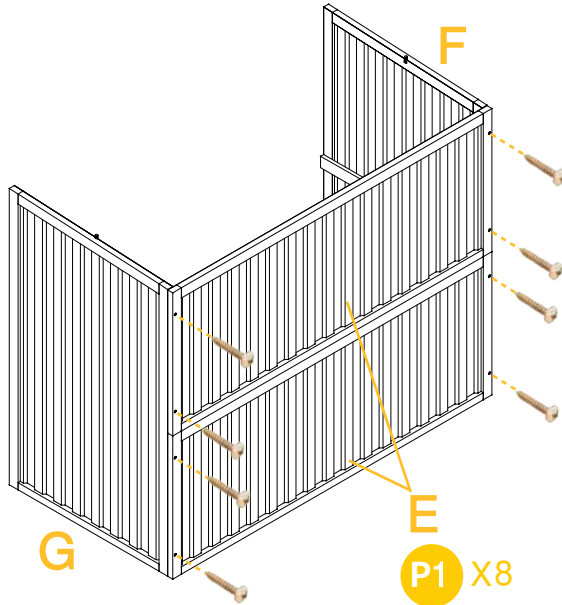
L

# PRODUCT ASSEMBLY //

**01** Insert A from the top and B from the bottom into C and D.



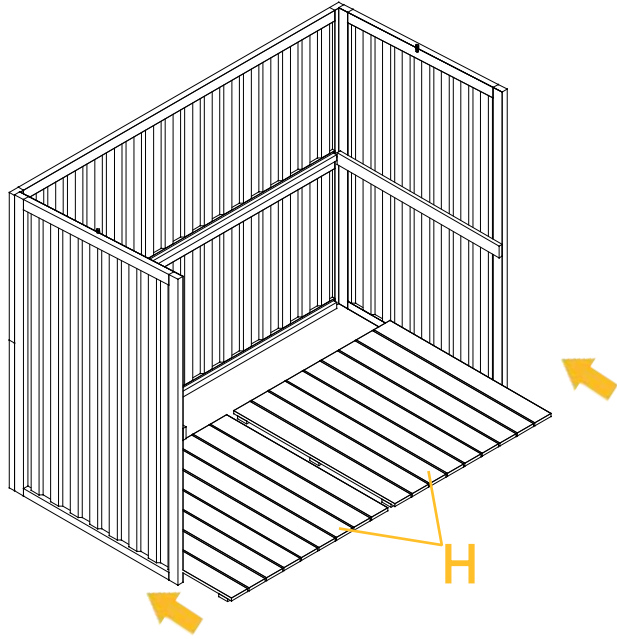
**02** Attach 2x E to F and G using 8x P1 screws.  
Note: Make sure the support strip on Part E faces downward.



# PRODUCT ASSEMBLY //

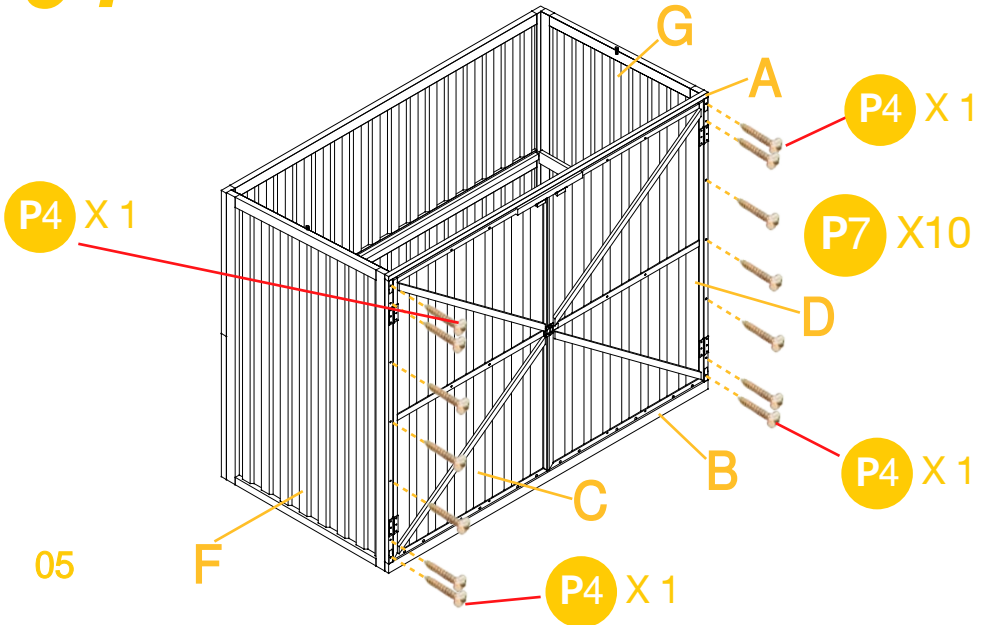
## 03

Insert 2x H.



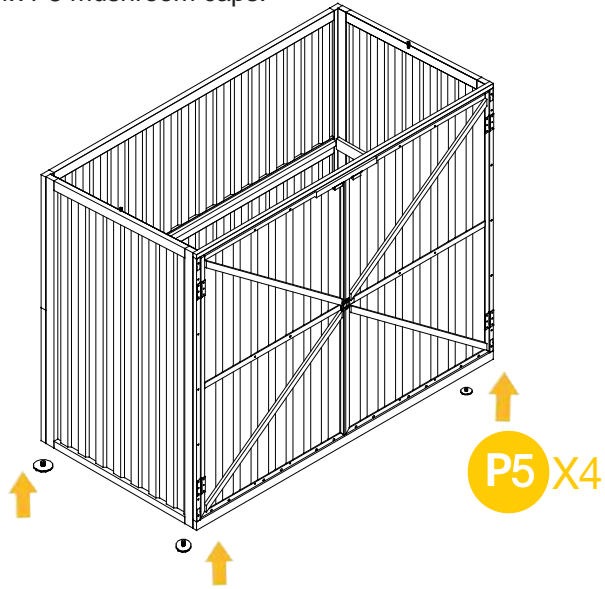
## 04

Assemble A, B, C, D, F, and G together using 4x P4 screws and 10x P7 screws.

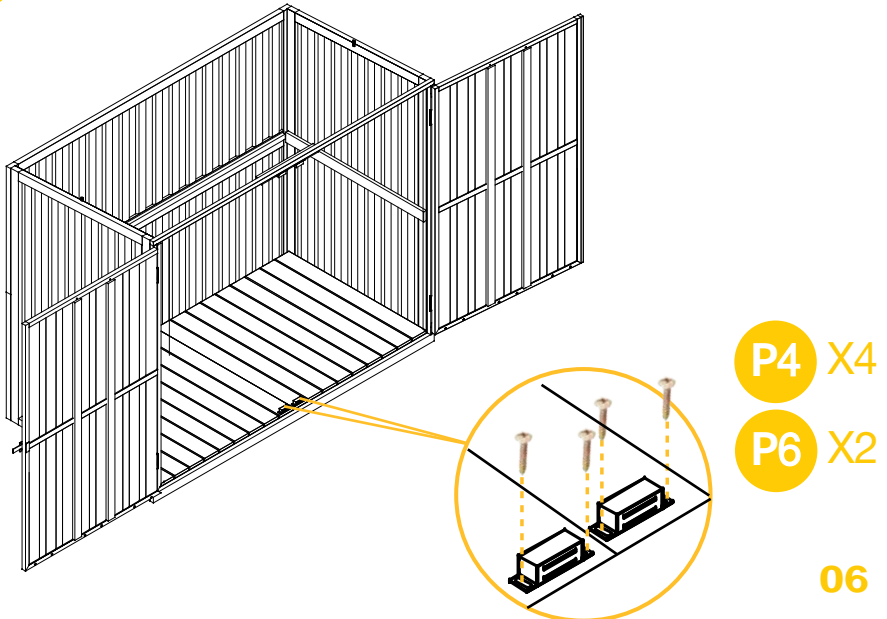


# PRODUCT ASSEMBLY //

**05** Insert 4x P5 mushroom caps.

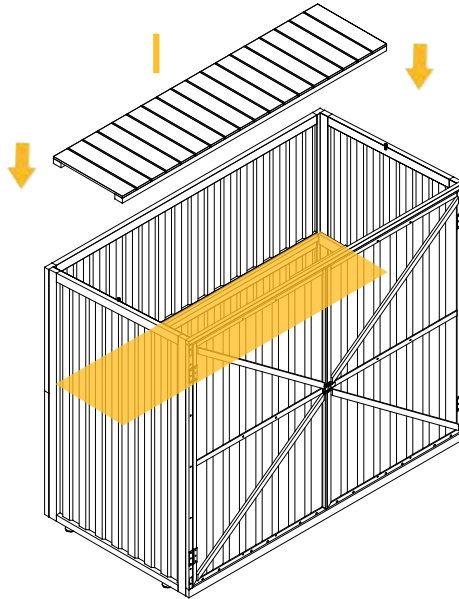


**06** Attach 1x P6 magnetic catch to each H using 4x P4 screws.

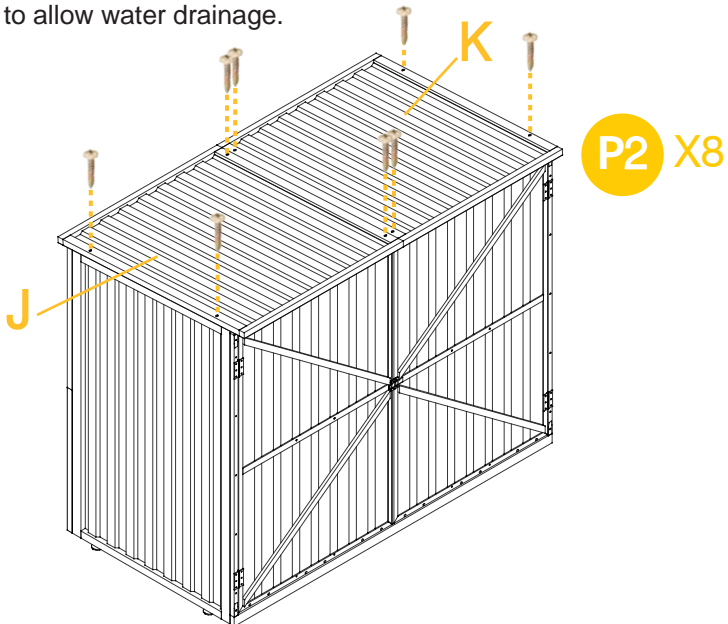


## PRODUCT ASSEMBLY //

**07** Place I.



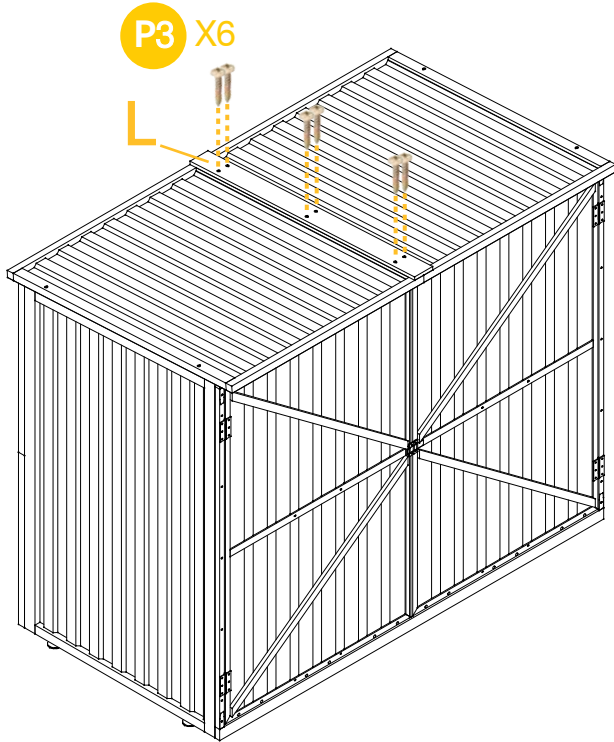
**08** Install J and K using 4x P2 screws each.  
Note: Make sure the side with gaps on panels J and K faces backward to allow water drainage.



## PRODUCT ASSEMBLY //

09

Attach L to J and K using 6x P3 screws.





**WARNING**

Manufacturer and seller expressly disclaim any and all liability for personal injury, property damage or loss, whether direct, indirect, or incidental, resulting from the incorrect attachment, improper use, inadequate maintenance, or neglect of this product.