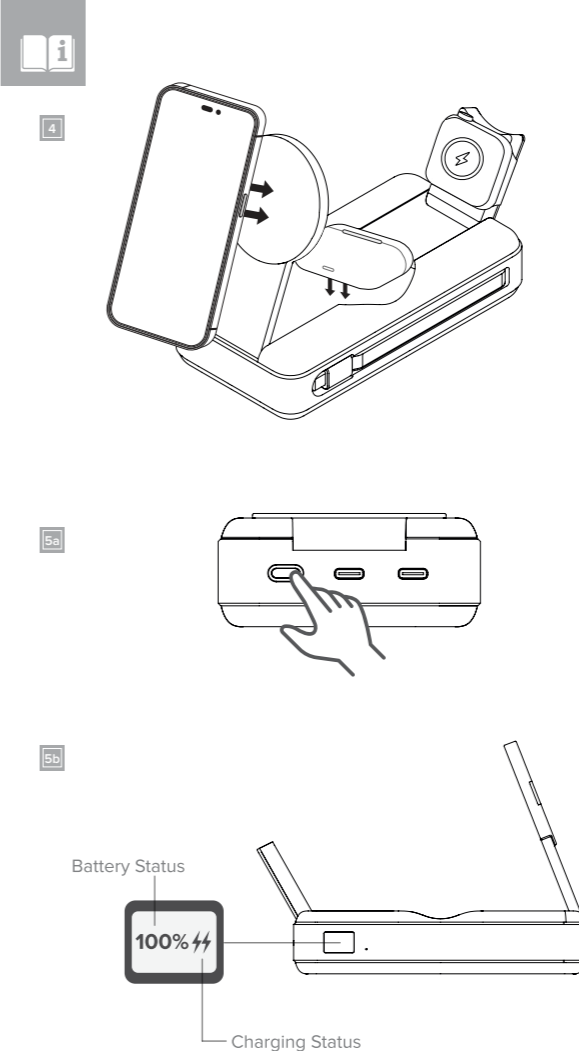
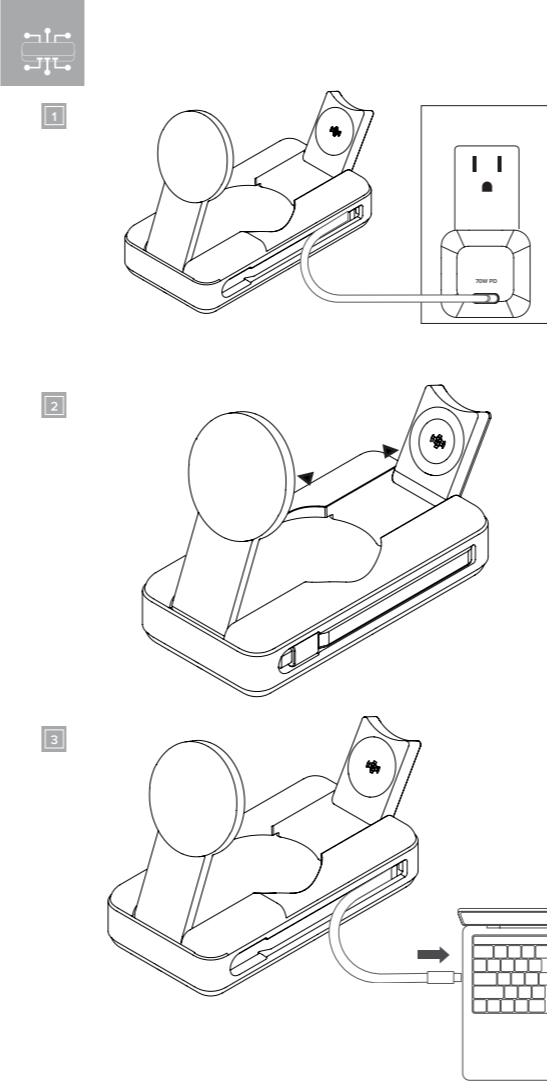
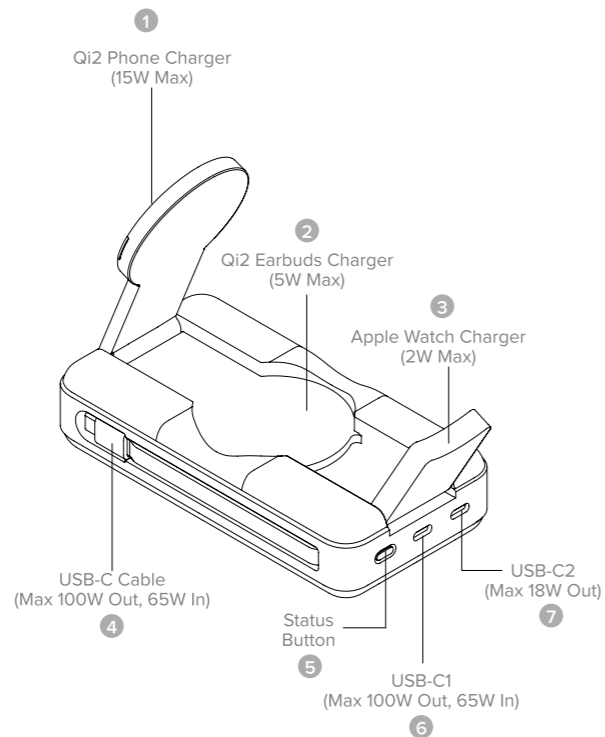
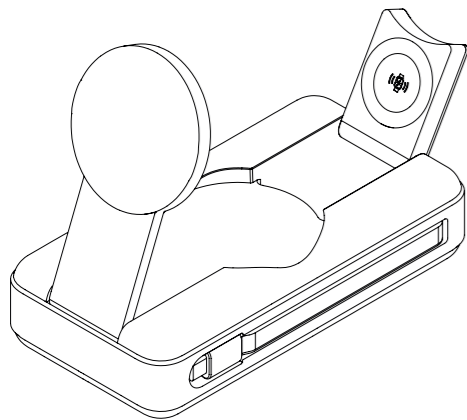
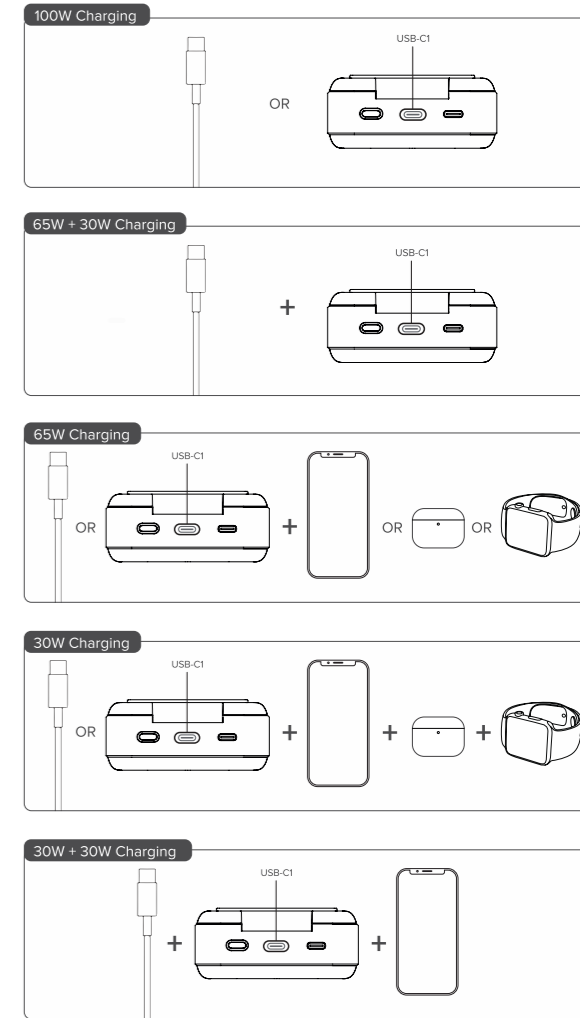


Roam 21,000mAh Power Bank



USB-C Charging



User Manual
Benutzerhandbuch
Manual de usuario
Manuel de l'utilisateur
Manuale d'uso
ユーザーマニュアル
دليل الاستخدام



Abbr

Specifications | Spezifikationen | Especificaciones | Caractéristiques techniques | Specificazioni | 仕様書 | **المواصفات**

<p>Model Modell Modelo Modèle Modello 原型 المواصفات</p>	<p>R20KWCPB100W</p>
<p>Input & Output Entrée et sortie Entrada y salida USB-C Eingang und -Ausgang Ingresso e uscita 入力と出力 مخرج USB-C</p>	<p>Input USB-C PD (Cable or USB-C 1) 5V/9V/12V/15V=3A, 20V=3.5A (65W Max)</p> <p>Output USB-C (Cable or USB-C 1) 5V/9V/12V/15V=3A, 20V=5A (100W Max) USB-C (USB-C 2) 5V=3A, 9V=2A,12V=1.5A (18W Max)</p> <p>Qi2 Phone Charger Up to 15W</p> <p>Qi Earbuds Charger Up to 5W</p> <p>Apple Watch Charger Up to 2W</p>
<p>Battery Capacity Capacité de la batterie Capacidad de la batería Batteriekapazität Capacità della batteria バッテリー容量 قدرة البطارية</p>	<p>21,000mAh</p>
<p>Warranty Garantie Garantia Garantie Garanzia الضمان</p>	<p> 2 Years 2 Anni 2 Jahre 2年 2 Años سنتان (2) 2 Ans</p>

IMPORTANT SAFETY NOTICES

⚠ This product contains an inbuilt battery and may pose a chemical or fire hazard if incorrectly used and cared for

⚠ Do not disassemble, crush, or puncture; do not short or overload external contacts; do not expose to fire or water. Doing so may create a risk of fire or burns.

⚠ Keep products containing batteries away from children.

⚠ Do not leave charging while unattended.

⚠ If the product becomes damaged or defective do not continue to use it.

⊕ General Safety

This device is designed for indoors use only. Do not deliberately damage the device or expose to damp, direct sunlight, or high temperature conditions. Store in a cool place out of direct sunlight. Do not expose products containing batteries to high temperatures (such as leaving them in a hot car) as this will degrade the performance of the batteries and may cause them to swell or rupture. Subjecting batteries to extreme temperatures or extremely low air pressure may result in fire, explosion or leakage of flammable liquid or gas. It is normal for the device to be slightly warm to touch during operation. Ensure that good ventilation is maintained around the product while in use. Do not cover or encapsulate the device while it is in operation. Disassembling, modifying or failing to properly use and care for your device will void the warranty on the product and may create a risk of electric shock, fire, and/ or damage to other equipment. ALOGIC is not responsible for any damage that may occur to the device or other damages arising from improper use, storage or lack of care and is not liable for repair or replacement of the device or other damages in these circumstances to the extent permissible by applicable law.

When a device which contains a battery has reached the end of its useful life, do not dispose of the device in general household waste. Follow the local laws and regulations in your area for computer battery recycling and disposal. This device uses inductive charging. Do not place metallic objects (aside from devices which support wireless charging) on top of the charging pad. Avoid placing phone cases which include metallic elements on the charger. In rare cases it may not be possible to detect smaller metallic objects, such as foil logos on phone cases, and the charger may continue to operate. In these cases, the metallic object will heat up and may cause gradual damage to the device being charged.

Provide adequate ventilation and do not cover the device while in operation. Do not use the product if it becomes damaged as this could pose a risk of causing damage to connected devices.

⚠ **DO NOT DISPOSE OF THIS PRODUCT IN HOUSEHOLD WASTE**

EN Disposal of waste electronic equipment

The WEEE symbol denotes that this product must be disposed of separately to household waste according to local laws and regulations. To protect human health and the environment this product must be recycled through an appropriate service and should not be disposed of in general waste. Take this equipment to a designated collection point for the recycling of waste electrical and electronic equipment when disposing of the device.

FR Mise au rebut des déchets d’équipements électroniques

Le symbole WEEE indique que ce produit doit être éliminé séparément des déchets ménagers, conformément aux lois et réglementations locales. Pour protéger la santé humaine et l’environnement, ce produit doit être recyclé par un service approprié et ne doit pas être jeté dans les déchets généraux. Lors de la mise au rebut de cet appareil, apportez-le à un point de collecte désigné pour le recyclage des déchets d’équipements électriques et électroniques.

ES Eliminación de residuos de aparatos electrónicos

El símbolo WEEE indica que este producto debe desecharse por separado de los residuos domésticos de acuerdo con las leyes y normativas locales. Para proteger la salud humana y el medio ambiente, este producto debe reciclarse a través de un servicio adecuado y no debe tirarse a la basura general. Cuando se deshaga de este aparato, llévelo a un punto de recogida designado para el reciclaje de residuos de aparatos eléctricos y electrónicos.

DE Entsorgung von Elektronik-Altgeräten

Das WEEE-Symbol bedeutet, dass dieses Produkt gemäß den örtlichen Gesetzen und Vorschriften getrennt vom Hausmüll entsorgt werden muss. Zum Schutz der menschlichen Gesundheit und der Umwelt sollte dieses Produkt durch einen geeigneten Dienst recycelt und nicht im allgemeinen Abfall entsorgt werden. Bringen Sie dieses Gerät zu einer ausgewiesenen Sammelstelle für das Recycling von Elektro- und Elektronik-Altgeräten, wenn Sie das Gerät entsorgen.

IT Smaltimento dei rifiuti di apparecchiature elettroniche

Il simbolo RAEE indica che questo prodotto deve essere smaltito separatamente dai rifiuti domestici secondo le leggi e i regolamenti locali. Per proteggere la salute umana e l'ambiente, questo prodotto deve essere riciclato attraverso un servizio appropriato e non deve essere smaltito insieme ai rifiuti generici. Portare questa apparecchiatura in un punto di raccolta designato per il riciclaggio dei rifiuti di apparecchiature elettriche ed elettroniche al momento dello smaltimento del dispositivo. Contatta support@alogic.co per assistenza nell'identificazione di uno schema di riciclaggio nella tua zona.

JP 廃電子機器の処分

WEEE シンボルは、この製品が現地の法律および規制に従って家庭廃棄物とは別に廃棄される必要があることを示します。人間の健康と環境を保護するため、この製品は適切なサービスを通じてリサイクルする必要があります。一般廃棄物として処分しないでください。デバイスを廃棄する場合は、廃電気電子機器のリサイクルのために指定された回収場所にこの機器を持ち込みます。お住まいの地域のリサイクル計画を確認するには、購入した小売店または support@alogic.co にお問い合わせください。

FR التخلص من نفايات المعدات الإلكترونية

يشير رمز WEEE إلى أنه يجب التخلص من هذا المنتج بشكل منفصل عن النفايات المنزلية وفقاً للقوانين واللوائح المحلية. لحماية صحة الإنسان والبيئة، يجب إعادة تدوير هذا المنتج من خلال خدمة مناسبة ويجب عدم التخلص منه في النفايات العامة. خذ هذا الجهاز إلى نقطة التجميع المخصصة لإعادة تدوير نفايات المعدات الكهربائية والإلكترونية عند التخلص من الجهاز. اتصل ببنائ التجزئة الذي اشتريته هذا منه أو support@alogic.co للحصول على المساعدة في تحديد مخطط إعادة التدوير في منطقتك.

FCC Warning Statement:

This equipment has been tested and found to comply with the limits for a Class B digital device, pursuant to part 15 of the FCC Rules. These limits are designed to provide reasonable protection against harmful interference in a residential installation. This equipment generates, uses and can radiate radio frequency energy and, if not installed and used in accordance with the instructions, may cause harmful interference to radio communications. However, there is no guarantee that interference will not occur in a particular installation. If this equipment does cause harmful interference to radio or television reception, which can be determined by turning the equipment off and on, the user is encouraged to try to correct the interference by one or more of the following measures:
*Reorient or relocate the receiving antenna.
*Increase the separation between the equipment and receiver.
*Connect the equipment into an outlet on a circuit different from that to which the receiver is connected.
*Consult the dealer or an experienced radio/TV technician for help.
Caution: Any changes or modifications to this device not explicitly approved by manufacturer could void your authority to operate this equipment.
This device complies with part 15 of the FCC Rules. Operation is subject to the following two conditions: (1) This device may not cause harmful interference, and (2) this device must accept any interference received, including interference that may cause undesired operation.
The device has been evaluated to meet general RF exposure requirement.