

## INSTALLATION INSTRUCTIONS

### RHYM Series



#### **⚠ WARNING**

These products may represent a possible shock or fire hazard if improperly installed or attached in any way. Products should be installed in accordance with these instructions, current electrical codes, and/or the current National Electric Code (NEC).

#### **⚠ WARNING**

The electrical rating of this product is 120V AC, 60Hz. The installer must determine whether power supply is appropriate at the luminaire before installation. Ensure power supply is turned off at the fuse box or circuit breaker prior to attempting installation or servicing of the fixture.

#### **SAFETY INFORMATION**

- Read all instructions before beginning; save these instructions for future use.
- To reduce the risk of fire, electric shock, or injury to persons, pay close attention to this manual and stay within its guidelines when using this product.
- Installation of this fixture requires knowledge of recessed lighting luminaires and their electrical systems. If not qualified or uncertain, do not attempt installation; contact a qualified electrician.
- Supply conductors (power wiring) connecting the fixture must be rated for a minimum of 90°C (194°F).
- Do not make or alter any open holes in wiring enclosures, nor in any electrical components during installation.
- Do not alter, relocate, or remove wiring, lamp holders, power supply, or any other electrical component.
- To prevent wiring damage or abrasion, do not expose wiring to edges of sheet metal or other sharp objects.
- To avoid electrical shock, do not turn on fixture with missing or damaged lens.
- There are no serviceable parts inside of the LED module.
- This fixture is suitable for use in dry, damp, or wet locations.
- This fixture is suitable for use in dimming circuits: TRIAC/CL/ELV

#### **PRE-INSTALLATION FOR NEW-CONSTRUCTION:**

For new-construction installation, an aluminum rough-in plate is available. Position rough-in plate across two joists and secure it using its hanger bars. Run electrical wire from the switch (power supply) and anchor nearby appropriately.

#### **PRE-INSTALLATION FOR REMODELS:**

For remodel installation, no mounting plate or can is required.

1. Turn power OFF from the electrical panel before starting installation.
2. Locate a suitable location for the fixture and trace the outline of the cut-out template on the drywall or ceiling tile (for a suspended T-Bar type ceiling). Cut the hole following the outline. If needed, refer to Hole Cut Sizes Table below for appropriate cut-out sizes.
3. Run electrical wire from the switch (power supply) through the mounting hole; use NMD90 Romex or BX cable.

HOLE CUT SIZES	3" Round	3" Square
	3-3/8" (86mm) Diameter	3-3/8" (86mm) x 3-3/8" (86mm)



#### **NEW CONSTRUCTION AND REMODEL INSTALLATION DRIVER WIRING (See Figures 1-2):**

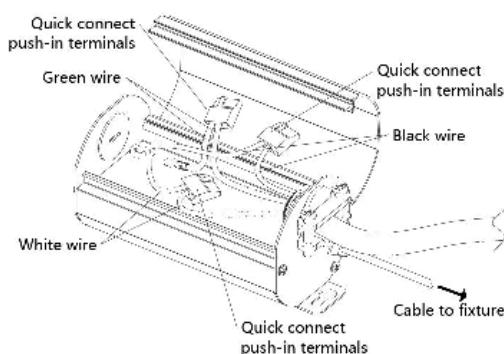
**Make sure power is turned off at the source before proceeding.**

1. Open the hardwire box swing cover and remove the appropriate knockout(s).
2. Insert the electrical supply cable through the knockout and secure with a cable connector (sold separately). Use NMD90 Romex or BX cable.
3. Using quick-connect push-in terminals, connect green/ground wire of cable to green wire in junction box, connect white wire of cable to white wire in junction box, connect black wire of cable to black wire of box (See Figure 1).
4. Place all wiring and connections back in to the box and close the cover, making sure wires are not pinched in any way.

For new construction applications: Hardwire box shall be firmly secured to studs, joists, or similar fixed structural units. The rough-in plate is designed with tabs to enable mounting directly to the plate.

For remodel applications: Hardwire box is not required to be secured after the plates, studs, joists, or structural units have been concealed.

**FIGURE 1**



## INSTALLATION INSTRUCTIONS

### RHYM Series



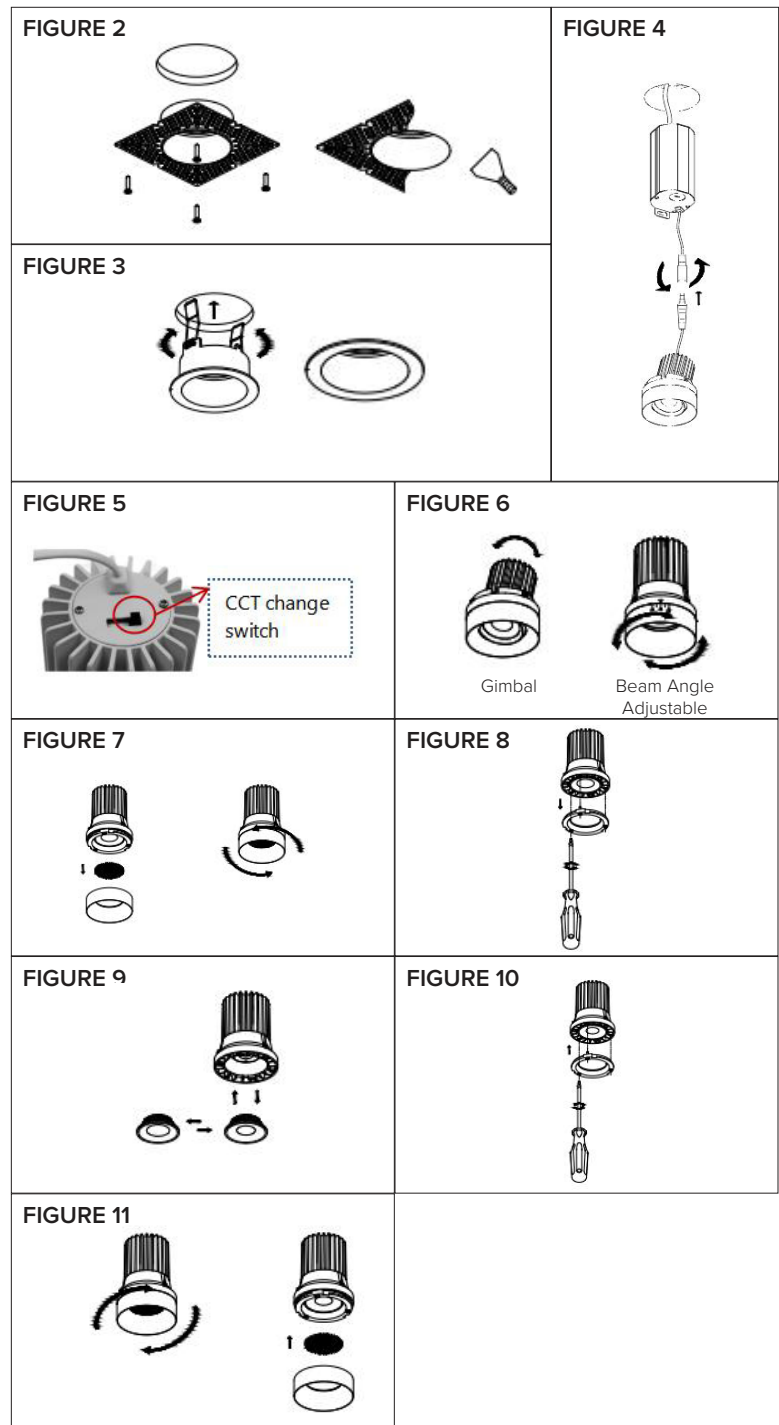
#### FIXTURE INSTALLATION (See Figures 2-6):

1. Install the trim:
  - A. For Trimless Mud-Ring: Fasten the trim to ceiling with screws, then patch over the seamless trim with drywall joint compound or spackle. Let dry completely, then paint with desired color. See Figure 2.
  - B. For Trim-Ring: Push up the butterfly springs and install the round trim into the ceiling so the clips grab the drywall. See Figure 3.
2. Place all wiring and connections back into the driver box, close the cover, and place the driver box into the ceiling (if not already completed during rough-in plate installation for new construction). See Figure 4.
3. Select the desired color temperature (CCT) by using the switch on the backside of the light module. See Figure 5. If using the gimbal module or the beam angle adjustable module, set the desired angle and/or direction. See Figure 6.
4. Connect the light module to the driver using the twist lock connector. Once connected, turn clockwise to lock into place.
5. Using two hands press the light module upwards into the trim. Push and press until the light module “clicks” into place. The same ‘push and press’ action may be utilized to remove the light module from the trim also.

#### OPTIC LENS REPLACEMENT (See Figures 7-11)

**For THNC SKUs Only (not applicable for gimbal or beam angle adjustable SKUs):**

1. Remove the module ring by turning it counterclockwise. If using honeycomb louver, remove this piece. See Figure 7.
2. Use a screwdriver to unscrew the inner ring screws. See Figure 8.
3. Change the lens to the desired version. Ensure the lens is fully seated and facing the correct direction. See Figure 9.
4. Replace the inner ring and fasten the screws. See Figure 10.
5. If using the honeycomb louver, replace the piece before placing the module ring. Turn the module ring clockwise and lock in place.



#### CARE AND MAINTENANCE:

1. Use only a mild soap and water with soft cloth to clean the fixture. Harsh chemicals will damage the finish. Do not wipe the fixture with a rough cloth that may scratch the finish or the lens.

## INSTALLATION INSTRUCTIONS

### RHYM Series



#### FCC Compliance Statement

This device complies with part 15 of the FCC Rules. Operation is subject to the following two conditions:

1. This device may not cause harmful interference, and
2. This device must accept any interference received, including interference that may cause undesired operation.

#### FCC WARNING

This equipment has been tested and found to comply with the limits for a Class B digital device, pursuant to Part 15 of the FCC Rules. These limits are designed to provide reasonable protection against harmful interference in a residential installation. This equipment generates, uses and can radiate radio frequency energy and, if not installed and used in accordance with the instructions, may cause harmful interference to radio communications. However, there is no guarantee that interference will not occur in a particular installation. If this equipment does cause harmful interference to radio or television reception, which can be determined by turning the equipment off and on, the user is encouraged to try to correct the interference by one or more of the following measures:

- Reorient or relocate the receiving antenna.
- Increase the separation between the equipment and the receiver.
- Connect the equipment into an outlet different from that to which the receiver is connected.
- Consult the dealer or an experienced radio/TV technician for help.

Any changes or modifications not expressly approved by the party responsible for compliance could void the user's authority to operate the equipment.

#### 5-YEAR LIMITED PRODUCT WARRANTY

This product is warranted to be free from defects in material and workmanship for a period of five (5) years from the date of purchase. Products that prove to be defective during this period will be either repaired (i.e. replacement of defective electronics, defective parts of the fixture housing, lens, wiring, switching or lamp sockets; excluding the lamp) or replaced, at the discretion of American Lighting, Inc claims for defective products must be submitted to the retail location from which the product was purchased within the warranty period. Upon submission of proper return claim documentation and product to American Lighting, Inc by the retailer, American Lighting, Inc reserves the right to inspect the product for misuse or abuse. Claims for indirect or consequential damages or for product that, in American Lighting, Inc's opinion has been misused, will be denied. This is a warranty of product reliability only and not a warranty of merchantability or fitness for a particular purpose. American Lighting, Inc shall have no liability whatsoever in any event for payment of incidental or consequential damages, including, without limitations, installation costs and damages for personal injury and property. These products may represent a possible shock or fire hazard if improperly installed or altered in any way. This warranty applied only to product that has been properly installed in accordance with instruction sheet and current local codes and/or the National Electrical Code. Warranty does not apply to any product that has been improperly installed or in situation where components have been altered in any way. This warranty: (1) excludes expendable parts including but not limited to light bulbs, batteries; (2) carries a 2-year finish warranty protecting finish against tarnishing, flaking, and discolorations; (3) shall be void if this lighting fixture is not installed in the U.S.A.; and (4) does not cover any losses, labor, injuries to persons/property or costs. This warranty does give you specific legal rights and you may have other rights, which vary from state to state. Be careful, it is recommended that installation be done by a qualified professional; the purchaser has sole responsibility for proper installation in compliance with all state and local code requirements. Seller's employees are not qualified to advise you on the use of this Merchandise. Any oral representation(s) made will not be binding on seller or its employees. The rights under this limited warranty are to the original purchaser of the Merchandise and may not be transferred to any subsequent owner. This limited warranty is in lieu of all warranties, expressed or implied including warranties or merchantability and fitness for a particular purpose. Seller shall not be liable for any special, incidental, or consequential damages. The sold exclusive remedy against the seller will be for the replacement of any defects as provided herein, as long as the seller is willing or able to replace this product or is willing to refund the purchase price as provided above.

**For questions/comments, technical assistance, or repair parts - Please call toll free at 1-800-285-8051 (M-F 8am-5pm), CST)**