

anko

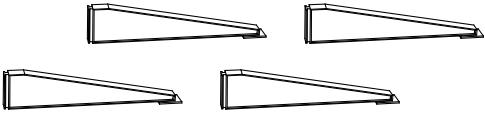


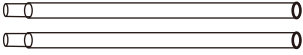
LOW VOLTAGE 1.2M LIGHT UP TINSEL TREE ASST

K : 43594276 T : 71370323 / D9492-77L

ASSEMBLY INSTRUCTIONS

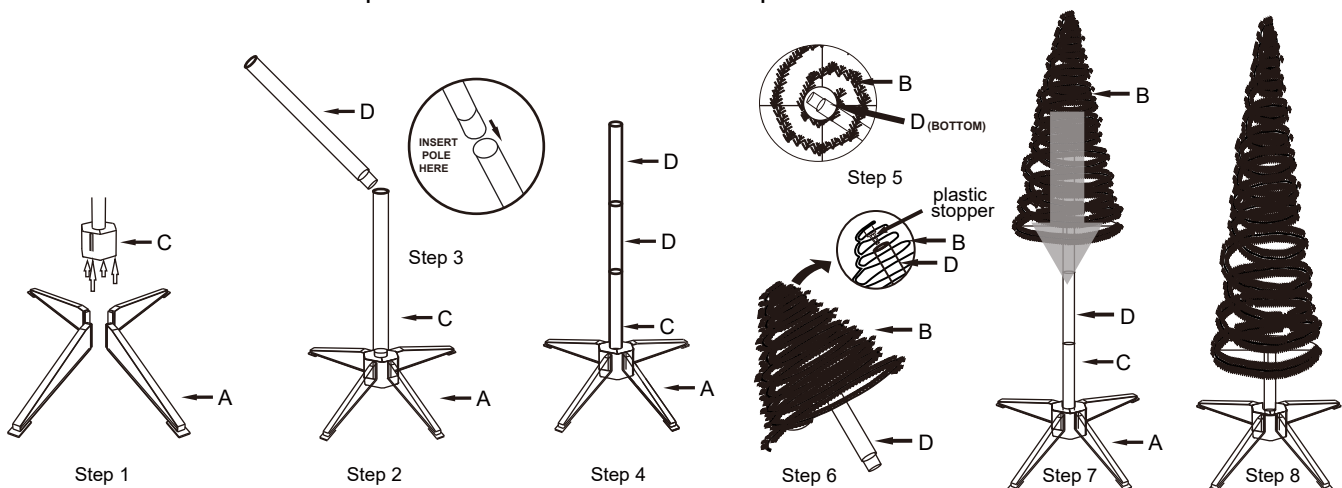
- Please read this assembly instruction carefully and check parts against the list below before assembling your tree.
- Take a few moments to familiarise yourself with the contents.
- Please retain this assembly instruction and box for future reference and storage purpose.

Part list

Part	Component	Quantity
A		4
B		1
C		1
D		2

Assembly

1. Choose a location where the tree is to be displayed. Take all the components out of the carton to assemble. Ensure this is placed on a flat, level surface.
2. Carefully insert the tree base pole (Part C) and slide each leg (Part A) upward into the corresponding slot on the tree base. (See Step 1)
3. Insert all the remaining poles (Part D) into the tree base pole (Part C) one by one and push down into position. (See Step 2, 3 & 4)
4. Hold the tree vertically and place the tree section (Part B) at the top of pole (Part D) and let tree fall around pole to make the tree shape as per the images on the product box. Ensure the poles (Part D) pass through all the supporting rings at the middle of each tree layer (Part B). (See Step 5, 6 & 7)
5. The assembled tree picture has been shown in Step 8.



front

Light Chain (with power adaptor)

These instructions are for your safety. Please read through them thoroughly before use and retain for future reference.

Before You Start

- Decide on an appropriate location for your product (see Installation instructions below).
- If you have any doubt about installing this product, consult a qualified electrician.

IMPORTANT SAFETY INSTRUCTIONS:

1. The light chain is suitable for INDOOR USE.
2. This product is NOT designed for permanent or long-term use.
3. The power adaptor MUST be installed INDOOR away from weather.
4. The supplied adaptor is suitable for operation of LED Modules only.
5. Only operate this light chain with the supplied power adaptor. Model: JT-DC31V3.6W-E4
6. Do not connect this light chain electrically to another light chain.
7. Do not connect this light chain to the power supply while it is in the packaging.
8. DO NOT attempt to replace the non-replaceable bulbs in this light chain.
9. Never allow any part of the set to come into contact with a source of heat or flame.
10. Care must be taken to avoid damage the cable or fittings.
11. If any part of light set or cable is damaged, the light set MUST be discarded.
12. This product is for use as a decoration only. Not to be used by children as a toy. Keep out of reach of children.
13. Do not position this light chain where it will be exposed to extreme wet weather or submerged in water.
14. Always switch off this light set or unplug an adaptor if unattended.
15. DO NOT overload power sockets or extension leads.
16. DO NOT pierce the cable when securing in place, bend or stand on the light chain, as this will damage the bulbs or wiring.
17. Please refer to the packing or product rating label for product class, specifications, and rating.

LED Bulbs

This light set is constructed with non-replaceable bulbs. DO NOT attempt to replace any of the bulbs in the light set.

AC/DC adaptor (Do Not Cover) warning

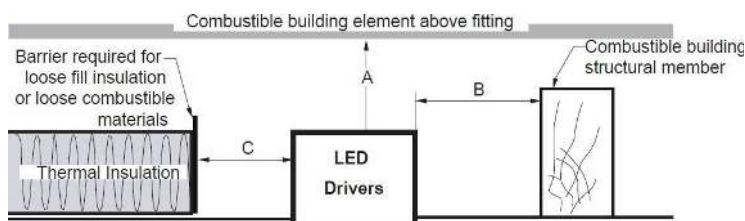
LED Driver (AC/DC Adaptor) Manual

1. Do not open the cover of the equipment.
2. For use with LED lighting equipment.
3. The input and output voltage should be checked before use to ensure correct use.
4. This is the Class II product, only for indoor use.
5. The product is not a toy, keep it where children cannot reach.
6. The lamp controlgear does not rely upon the luminaire enclosure for protection against accidental contact with live parts.
7. If applicable an indication that the controlgear is suitable for operation with LED modules.
8. Do-not-cover classification



WARNING: KEEP AWAY FROM FIRE.

The power supply (LED Drive) that can be used where normally flammable materials including building insulation, are or may be present, but cannot be abutted against any material and cannot be covered in normal. Minimum clearance distance from the top and sides of the control gear to normally flammable building element is 10mm; as shown in below picture, A=B=C=Min. 10 mm.



The external flexible cable or cord of this luminaire cannot be replaced, if the cord is damaged, the luminaire shall be destroyed.

The power supply (LED Drive) that can be used where normally flammable materials including building insulation, are or may be present, but cannot be abutted against any material and cannot be covered in normal.