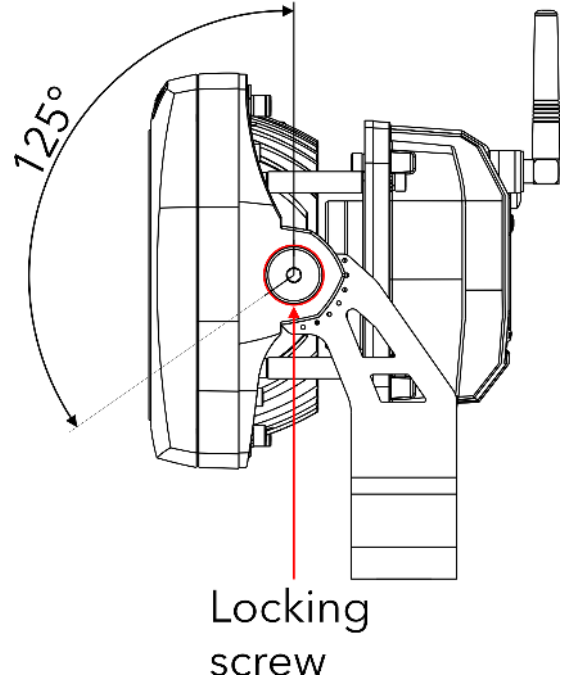
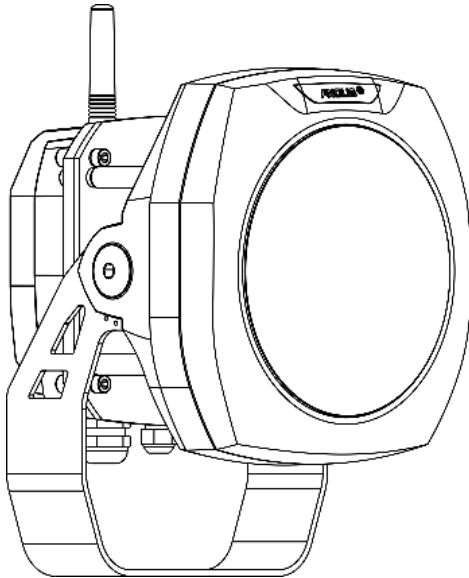


QR code for Installations Instructions



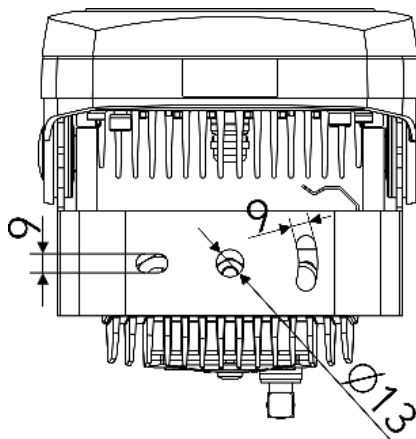
Fixture must be installed by a qualified electrician in accordance with all national and local electrical and construction codes and regulations. This device falls under class one and must be grounded!



Use an Allen key 6 to release M8 tilting lock on each side of luminaire and adjust tilt of LED module in range of +35°/-90°.

**STEP 1A**  
**MOUNTING - USING YOKE**

1

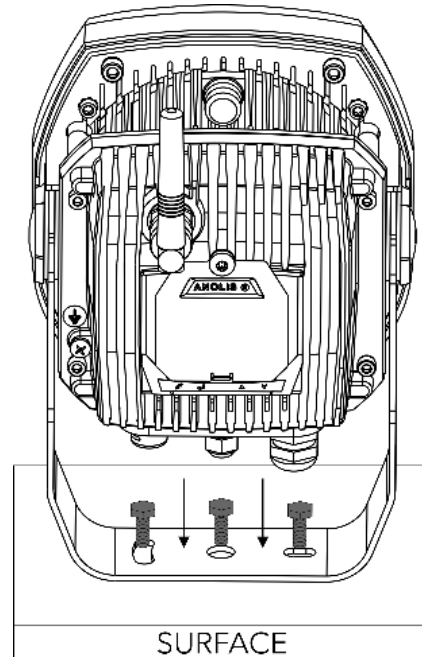


Mount the fixture via suitable mounting holes. Ensure that you are mounting the fixture to a secure and non-flammable surface.

2



Use fasteners that are appropriate for use with your mounting surface.

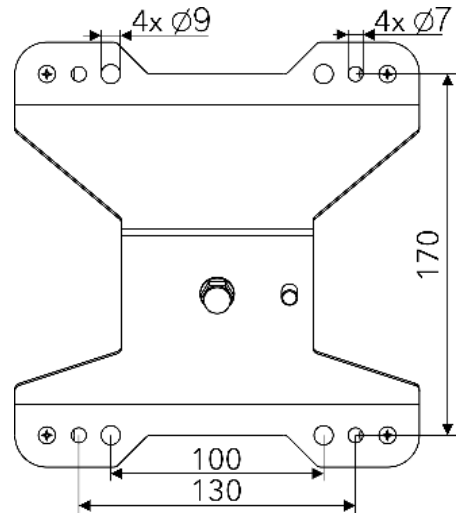
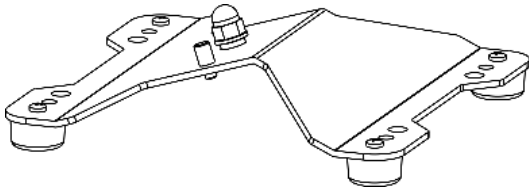


Fasten the Yoke of the fixture to the surface by three screws.

STEP 1B  
MOUNTING - USING FLOOR STAND

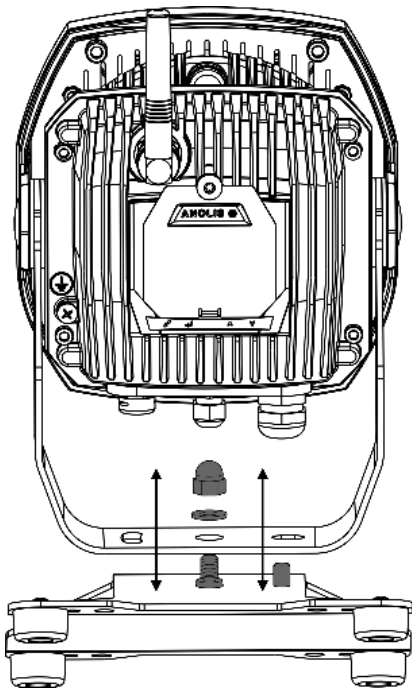
1

⚠ Use fasteners that are appropriate for use with your mounting surface. ⚠

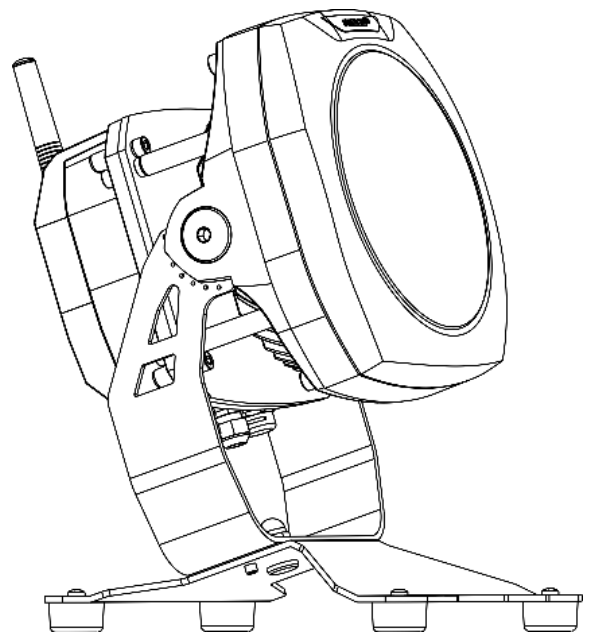


Mount the floor stand to the surface via 4 mounting holes of 9mm or 7mm in diameter.

2

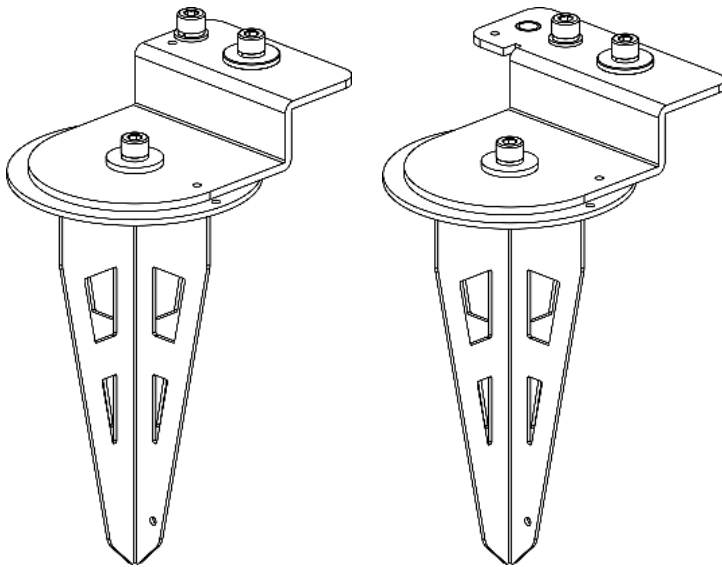


Mount the luminaire to the Floor stand as illustrated on picture above and fasten it by nut with washer to bolt on floor stand.

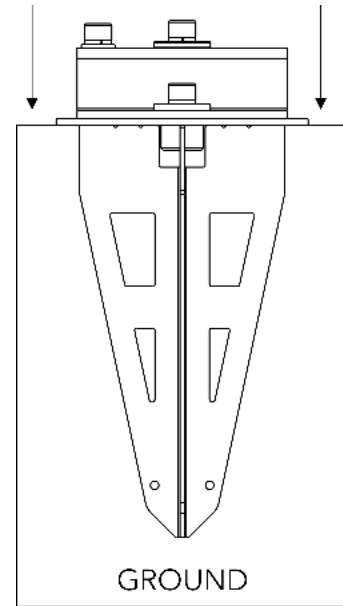


ArcSource Outdoor 16MC Integral mounted on the Floor Stand.

STEP 1C  
MOUNTING - USING LAND SPIKE 100 MM / 130 MM



1

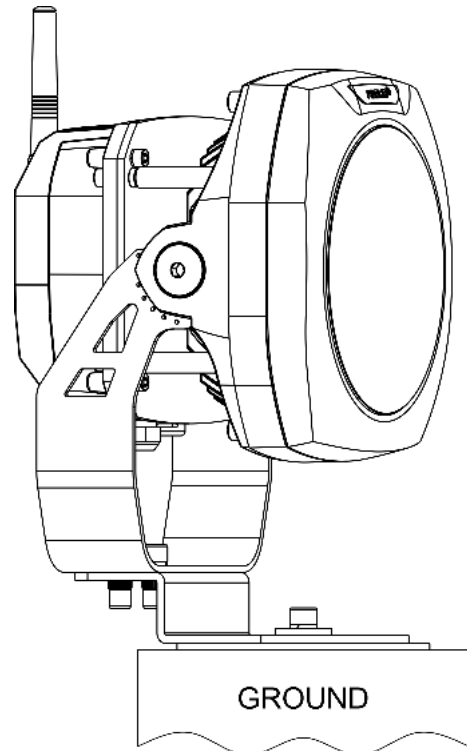
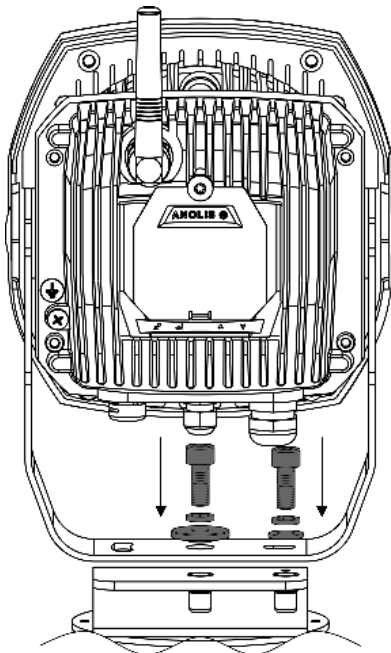


Land Spike 100mm and Land Spike 130mm.

Insert the Land Spike into ground. Underground part of Land Spike should be placed perpendicularly into the ground. (if you need to use tools to insert spike in the ground, use of some protective layer, and applying pressure in the middle is recommended to prevent damaging of land spike)

2

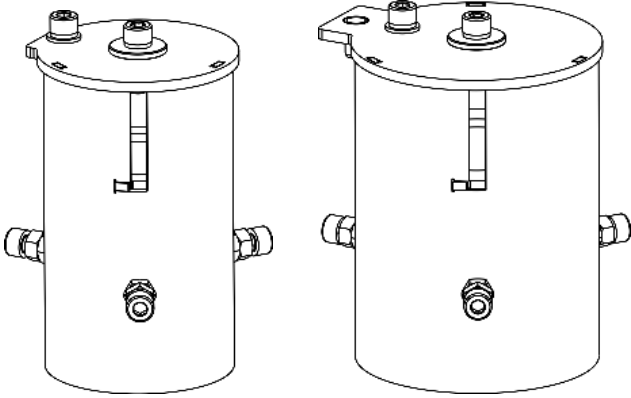
2X  M8x20



Mount the luminaire to the Land Spike as illustrated on picture above and fasten it by two screws M8x20 with washers and spring washers.

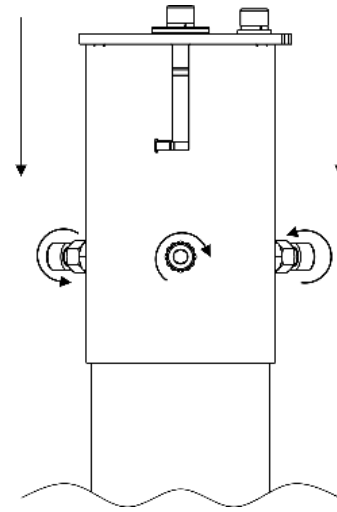
ArcSource Outdoor 16MC Integral mounted on the Land Spike.

**STEP 1D**  
**MOUNTING - USING TENON ADAPTOR**  
**DIAMETER 63 - 80 MM / 80 - 106 MM**



Tenon Adaptor 63 - 80 mm and Tenon adaptor 80 - 106 mm

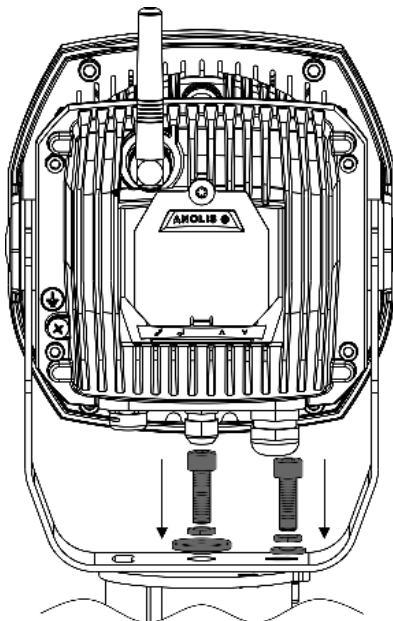
1



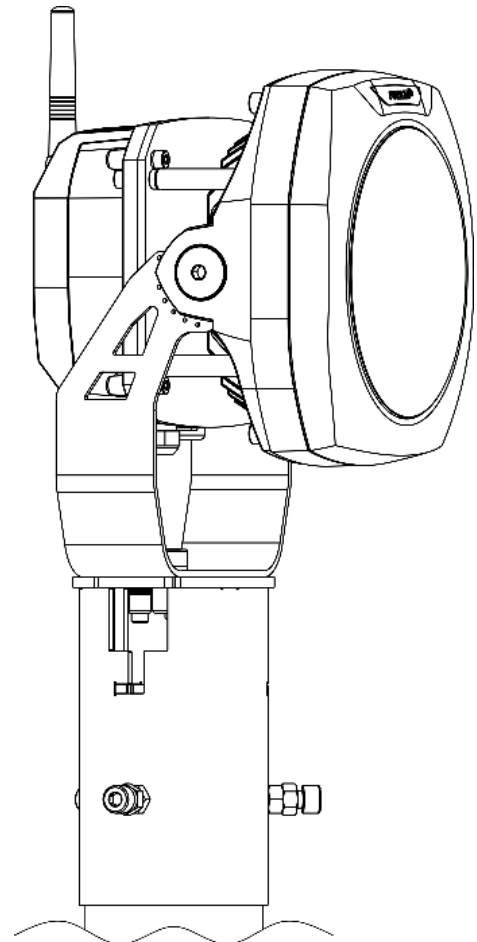
Slide the Tenon adaptor (mortise) of suitable size on a tenon (e.g. top of a metal post) and fasten in with three screws included in the adaptor.

2

2X  M8x25

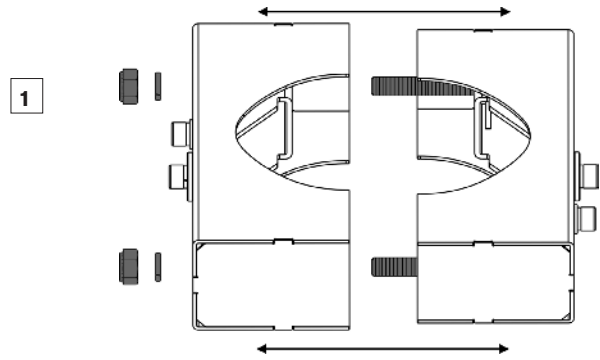
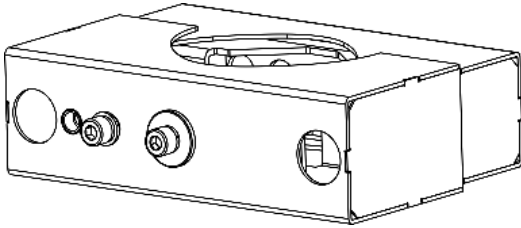


Mount the luminaire to the Tenon Adaptor as illustrated on picture above and fasten it by two screws M8x25 with washers and spring washers.

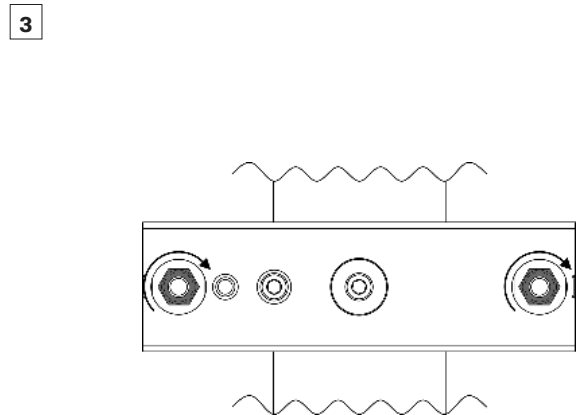
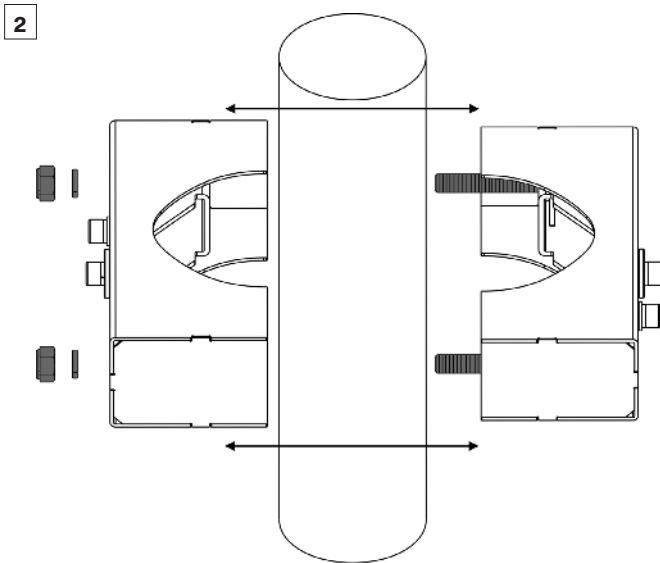


ArcSource Outdoor 16MC Integral mounted on the Tenon Adaptor.

**STEP 1E**  
**MOUNTING - USING POLE CLAMP**  
**DIAMETER 63 - 80 MM / 80 - 105 MM**

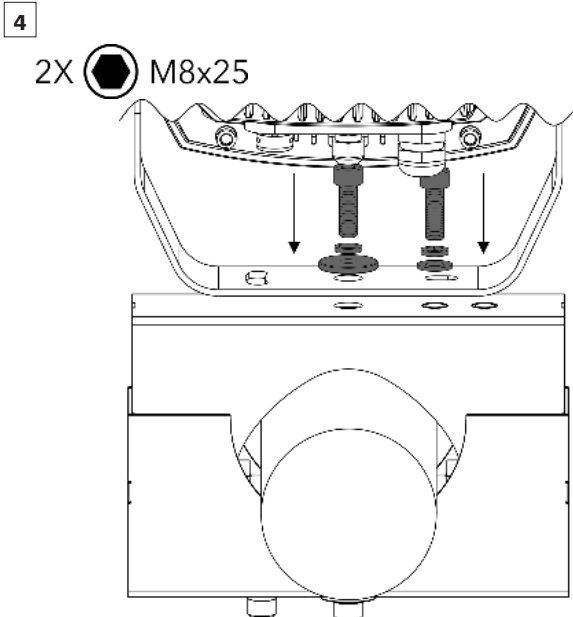


Disassemble the Pole clamp by unscrewing both nuts from bolts.

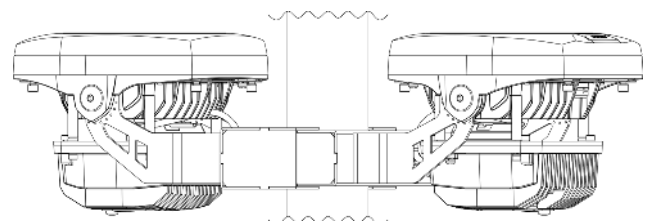


When in correct position, tighten both nuts completely.

Mount the Pole Clamp to a pole and fasten it by screwing both nuts with washers back to their bolts. Adjust the Pole clamp to ensure its correct position before tightening it completely.

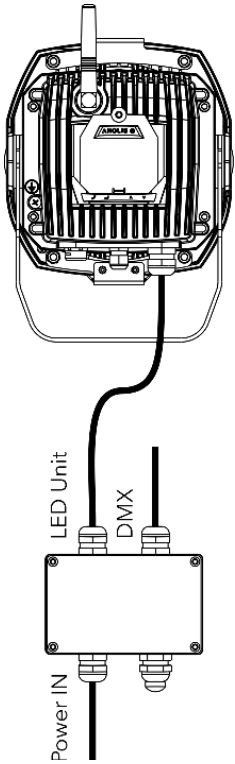


Place the yoke of the luminaire to the Pole Clamp as illustrated on picture above and fasten it by two screws M8x25 with washers and spring washers.

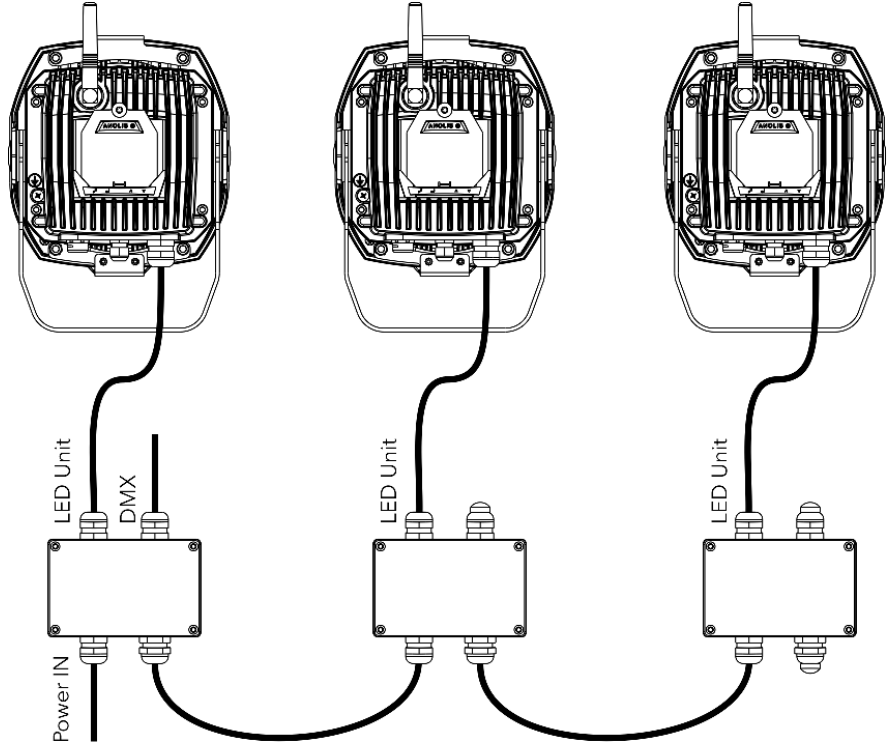


ArcSource Outdoor 16MC Integral mounted on each side of Pole Clamp.

**STEP 2  
CONNECTION**



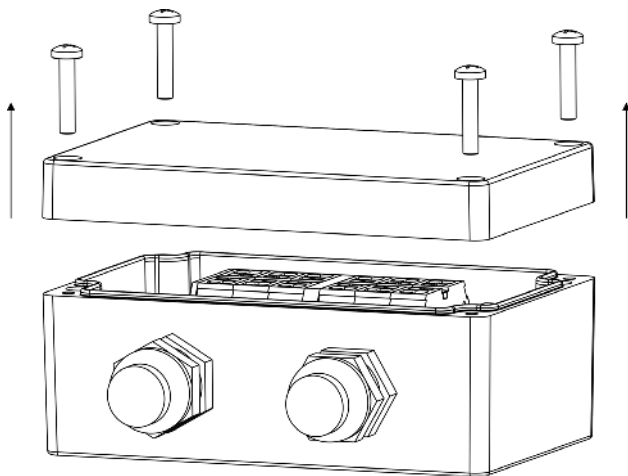
Single luminaire connection.  
Connect DMX IN and Power cable to a Junction box and Power/data cable from the Junction box to the luminaire.



Multiple luminaire connection.  
Use power/data cable for connection between Junction boxes as illustrated on picture below. Notice the change of connection between first two and all following junction boxes of the daisy chain line.



**1 Removing the Cover of Junction Box**

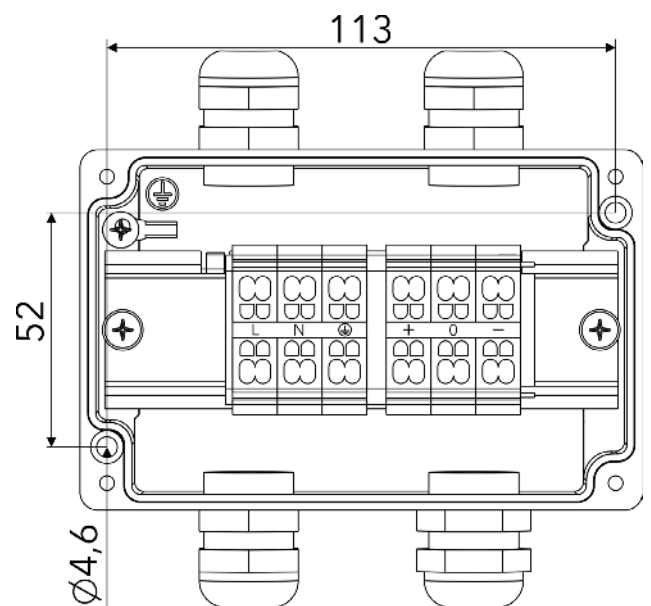
4X  M4x20



Open the Junction Box by unscrewing 4 M4x20 screws and lifting up the cover.

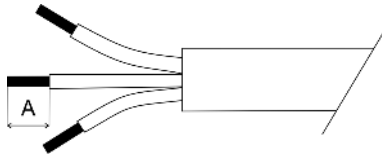
**2 Install Housing**

 Use fasteners that are appropriate for use with your mounting surface. 



Mount the Junction Box to a surface via two mounting holes and suitable fasteners.

**3 Strip these lengths for wire connections**



A	
Power Connection	9 mm
Data Connection	7 mm

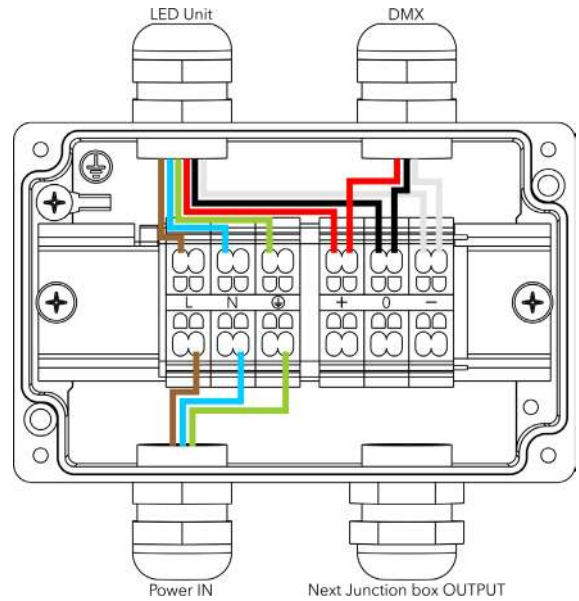
**4 Connection – colour coding**

	Power Connection - Power IN		
	L	N	GROUND
Core (EU)	Brown	Blue	Green/Yellow
Core (US)	Black	White	Green

DMX CONNECTION		
0 V	D-	D+
Data Ground	Data -	Data +

Cable CE/US Leader - LED Output	
WIRE	DATA AND POWER CONNECTION
Brown	Live
Blue	Neutral
Yellow/Green	Ground
Red	+
White	-
Shielding	0

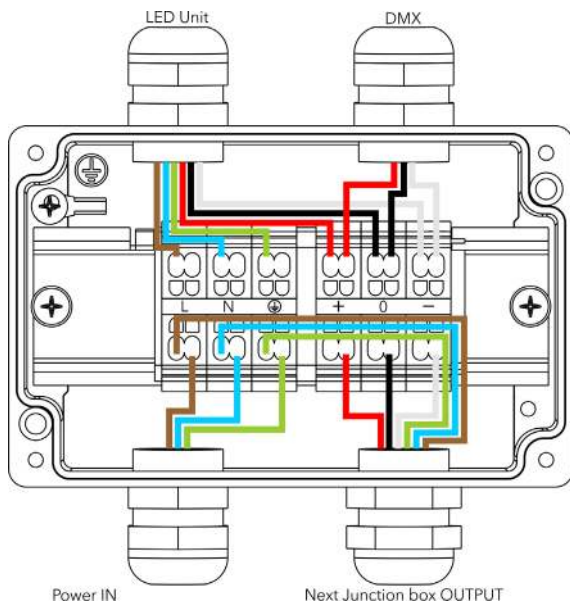
**5A Wiring connection - single LED unit**



EU color code shown

Connection scheme for the installations of single luminaire.

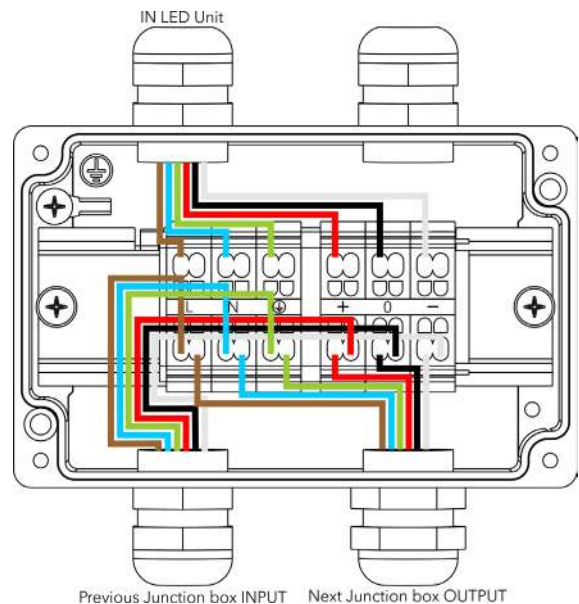
**5B Wiring connection - Daisy chain - First Junction box**



EU color code shown

Connection scheme for the first Junction Box in daisy chain line.

**5C Wiring connection - Daisy chain - Following Junction boxes**



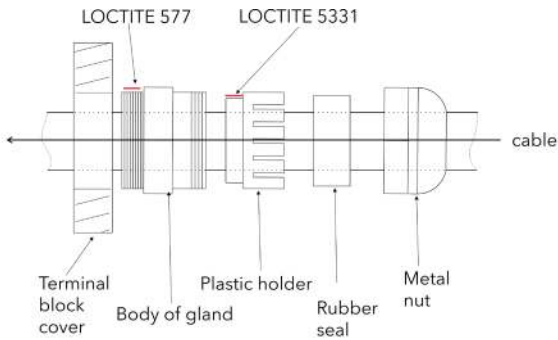
EU color code shown

Connection scheme for each following Junction Box in daisy chain line. Only power/data cables are used.

**6 Cable gland installation**

Use wrench size 24 for cable gland M20x1.5


Install Cable glands individually!

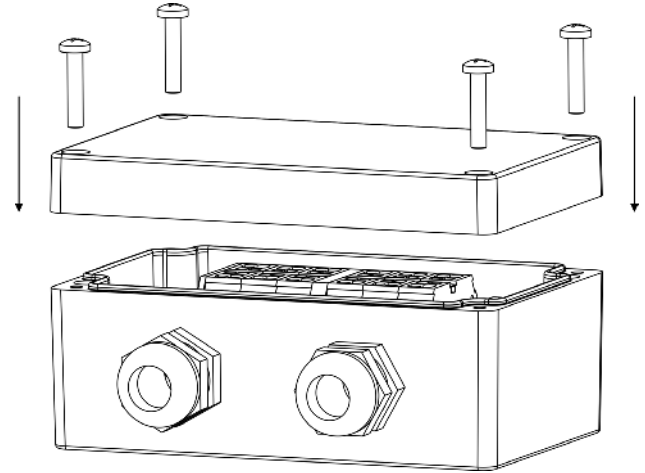


Apply Loctite 5331 thread sealant on the plastic holder and Loctite 577 thread locking compound on the gland body in the indicated locations prior to assembly.

**Failure to properly install cable glands will result in failure of the water tight seal!**

**7 Close junction box**

4X  2 Nm

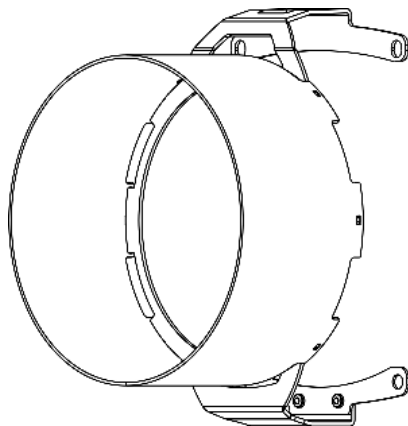


Install safety cover and top cover back.

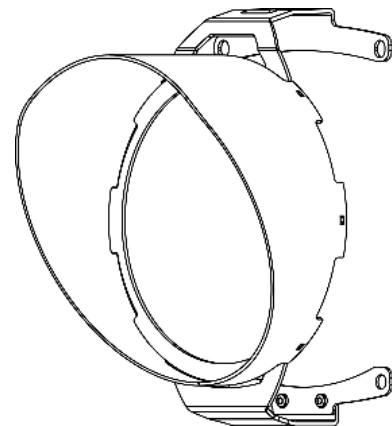
Before applying the torque, make sure the thread is clean and functional.

**STEP 3  
INSTALLATION OF ACCESSORIES**

Top Hat

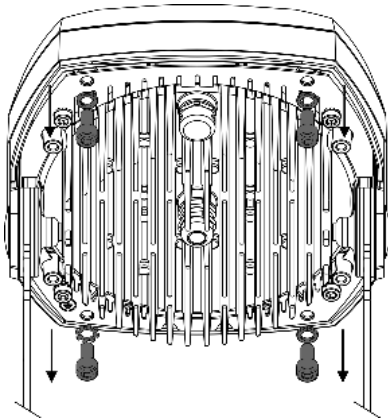


Half Top Hat

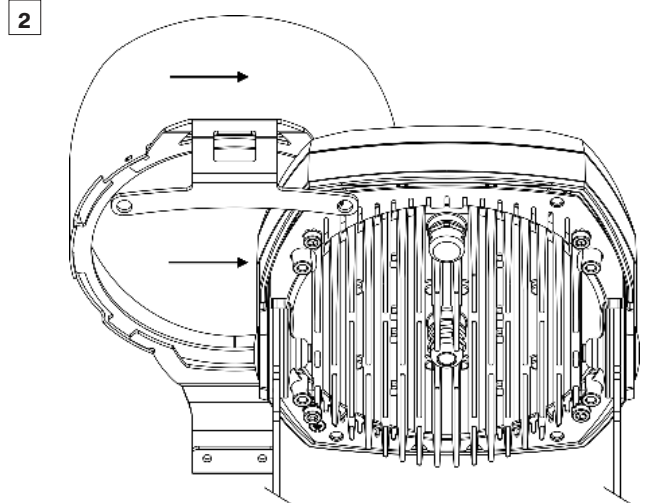


Top Hat and Half Top Hat.  
(Identical installation instructions)

1 4X  M6x12

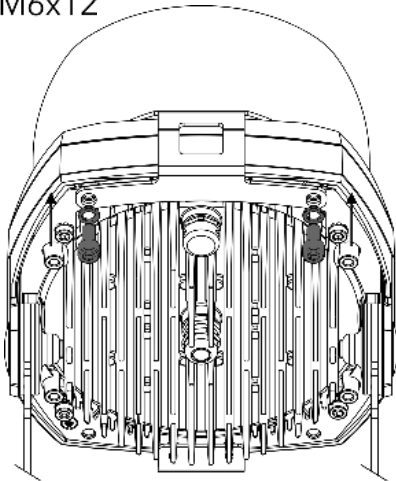


Unscrew 4 M6x12 screws from rear side of the luminaire as highlighted on picture above.

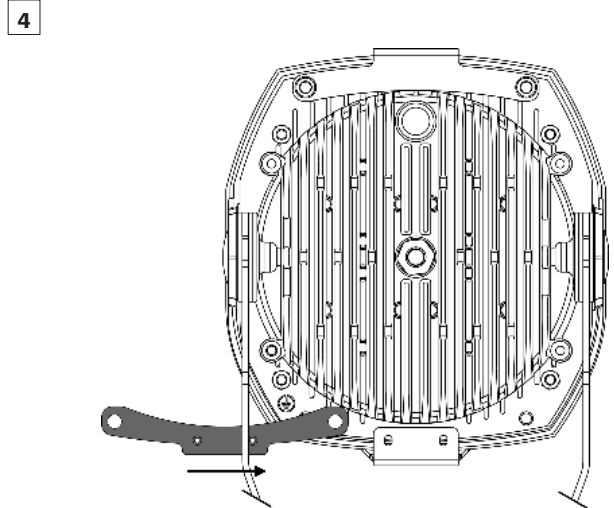


Slide the accessory on the luminaire from a side.

3 2X  M6x12

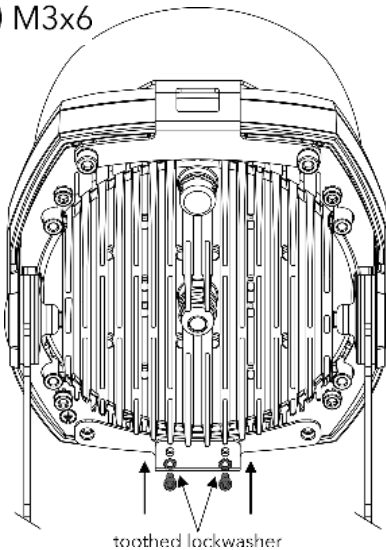


Fasten the top side of accessory to the rear side of luminaire with two M6x12 screws and spring washers.



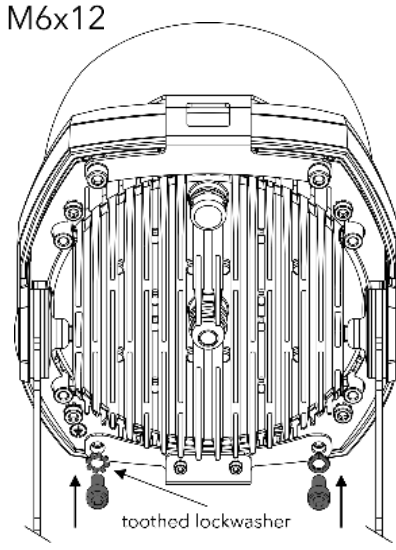
Slide a holder of accessory on the rear side of luminaire.

5 2X  M3x6



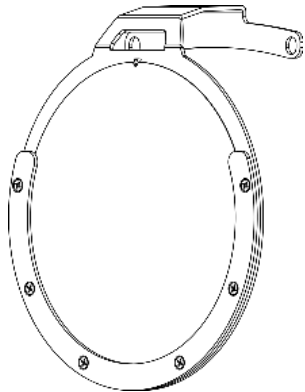
Fasten the holder to the luminaire by two M3x6 screws with toothed lockwashers.

6 2X  M6x12



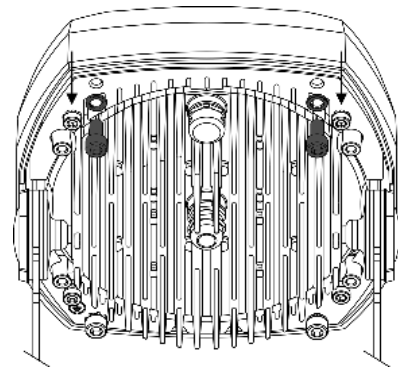
Fasten the bottom side of accessory to the rear side of luminaire and installed holder. Use two M6x12 screws, one with spring washers and one with toothed lockwasher.

Optical demo



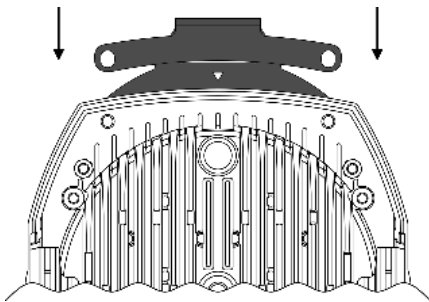
1

2X  M6x12



Unscrew two M6x12 screws from the rear side of luminaire as highlighted on a picture above.

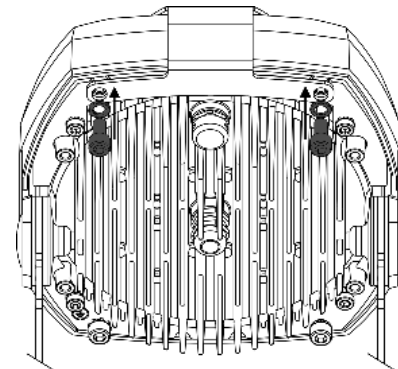
2



Slide the Optical demo set on the luminaire.

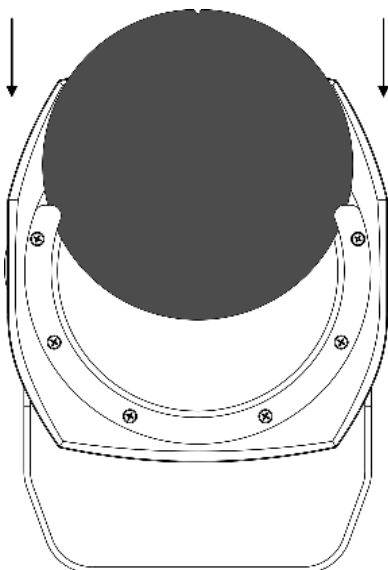
3

2X  M6x12

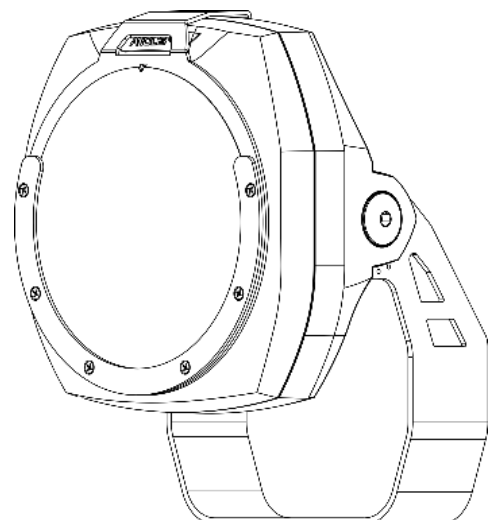


Fasten the accessory to the rear side of luminaire with two original screws and washers.

4



Slide an optical foil into Optical demo set.



ArcSource Outdoor 16MC Integral with Optical demo set.