

# Amaran 200d Product Manual

English

## Foreword

Thank you for purchasing "Amaran" series of LED photography lights - Amaran 200d.

Amaran 200d is Amaran series of newly designed high cost performance lamps. Compact structure design, compact and light, excellent texture. Has a high performance level, such as high brightness, high indication, can adjust the brightness, etc. It can be used with the existing Bowens Mount lighting accessories to achieve a variety of lighting effects and enrich product usage patterns. So that the product to meet the needs of different occasions light control, easy to achieve professional level photography.

## IMPORTANT SAFETY INSTRUCTIONS

When using this unit, basic safety precautions should always be followed, including the following:

1. Read and understand all instructions before using.
2. Close supervision is necessary when any fixture is used by or near children. Do not leave the fixture unattended while in use.
3. Care must be taken as burns can occur from touching hot surfaces.
4. Do not operate the fixture if a cord is damaged, or if the fixture has been dropped or damaged, until it has been examined by qualified service personnel.
5. Position any power cables such that they will not be tripped over, pulled, or put into contact with hot surfaces.
6. If an extension cord is necessary, a cord with an amperage rating at least equal to that of the fixture should be used. Cords rated for less amperage than the fixture may overheat.
7. Always unplug the lighting fixture from the electrical outlet before cleaning and servicing, or when not in use. Never yank the cord to remove the plug from the outlet.

Detailed product manual can be found on [www.aputure.com](http://www.aputure.com).

-1-

8. Let the lighting fixture cool completely before storing.
9. To reduce the risk of electric shock, do not immerse this fixture in water or any other liquids.
10. To reduce the risk of fire or electric shock, do not disassemble this fixture. Contact [cs@aputure.com](mailto:cs@aputure.com) or take it to qualified service personnel when service or repair work is required. Incorrect reassembly may cause electric shock when the lighting fixture is in use.
11. The use of an accessory attachment not recommended by the manufacturer may increase the risk of fire, electric shock, or injury to any persons operating the fixture.
12. Power this fixture by connecting it to a grounded outlet.
13. Please remove the protective cover before powering on the light.
14. Please remove the protection cover before using the reflector.
15. Please do not block the ventilation and do not look at the light directly when it is powered on.
16. Please do not place the LED lighting fixture near any liquids or other flammable objects.
17. Only use a dry microfiber cloth to clean the product.
18. Please have the product checked by an authorized service personnel agent if your product has a problem.
19. The malfunctions caused by unauthorized disassembly are not covered under the warranty.
20. We recommend only using the original Aputure cable accessories. Please note that our warranty for this product does not apply to any repairs required due to any malfunctions of unauthorized Aputure accessories, although you may request such repairs for a fee.



-2-

21. This product is certified by RoHS, CE, KC, PSE, and FCC. Please operate the product in full compliance with the operation standards. Please note that this warranty does not apply to repairs arising from malfunctions, although you may request such repairs on a chargeable basis.
22. The instructions and information in this manual are based on thorough, controlled company testing procedures. Further notice will not be given if the design or specifications change.

## SAVE THESE INSTRUCTIONS

### FCC Compliance Statement

This device complies with Part 15 of the FCC Rules. Operation is subject to the following two conditions:

- (1) This device may not cause harmful interference.
- (2) This device must accept any interference received, including interference that may cause undesired operation.

**Warning:** Changes or modifications not expressly approved by the party responsible for compliance could void the user's authority to operate the equipment.  
**NOTE:** This equipment has been tested and found to comply with the limits for a Class B digital device, pursuant to Part 15 of the FCC Rules. These limits are designed to provide reasonable protection against harmful interference in a residential installation. This equipment generates, uses, and can radiate radio frequency energy and, if not installed and used in accordance with the instructions, may cause harmful interference to radio communications. However, there is no guarantee that interference will not occur in a particular installation. If this equipment does cause harmful interference to radio or television reception, which can be determined by turning the equipment off and on, the user is encouraged to try reorient or relocate the receiving antenna.

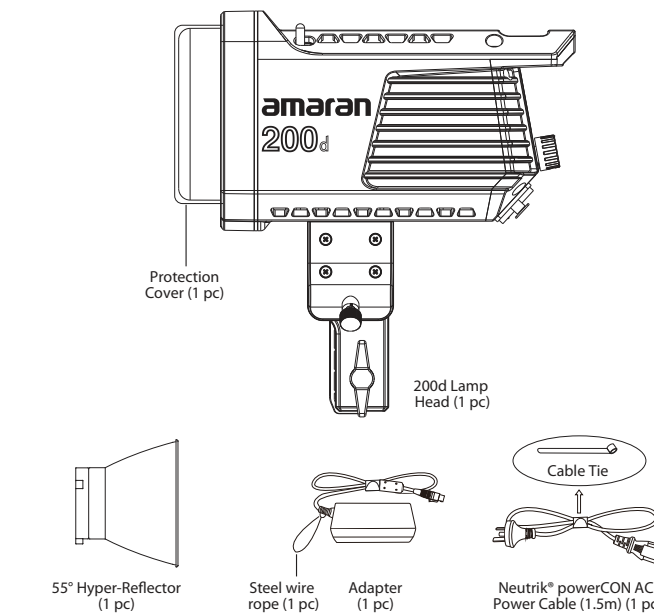
- Increase the separation between the equipment and receiver.
- Connect the equipment to an outlet on a different circuit than the receiver is connected to.
- Consult the dealer or an experienced radio/TV technician for help.

### RF Warning Statement:

This device has been evaluated to meet general RF exposure requirements.

### Check list

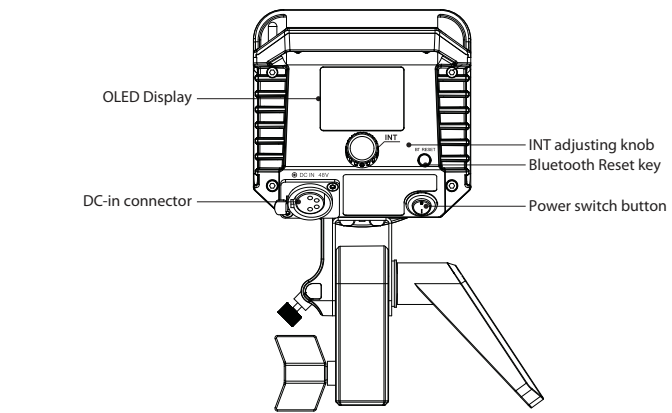
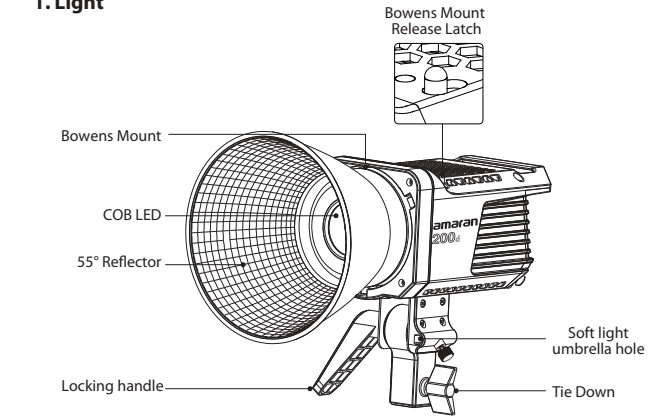
When you unbox the product, please make sure all the items listed below are included. Otherwise, please contact the seller immediately



-4-

## Product Details

### 1. Light

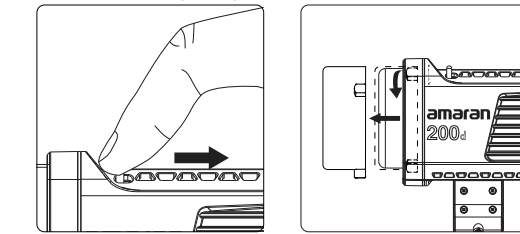


-5-

## Installations

### 1. Attaching/detaching the protection cover

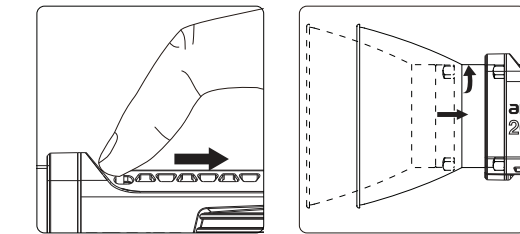
Push the handle of the lever in the direction of the arrow shown in the picture, and rotate the cover to pull it out. Reverse rotation will put the protective cover into.



\* Notice: Always remove the protection cover prior to turning on the light. Always re-install the cover when packing it away.

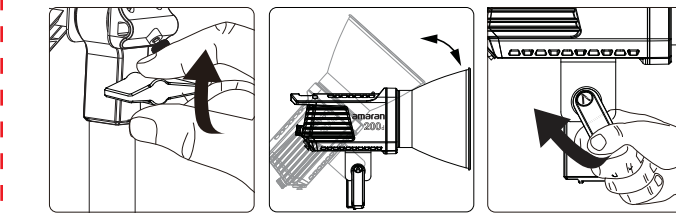
### 2. Installation and removal of 55° Reflector

Push the lever handle according to the arrow direction shown in the picture, and rotate the 55° Reflector into it. Rotating in the opposite direction pulls out the 55° Reflector.



### 3. Setting up the Light

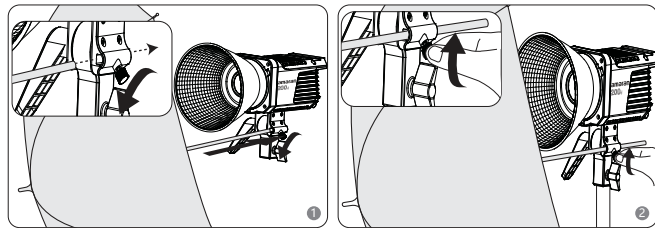
Adjust the lamp body to the appropriate height, rotate tie-down to fix the lamp body on the tripod, then adjust the lamp body to the required angle, and tighten the lock handle.



-6-

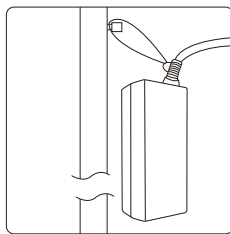
## 4. Soft light umbrella installation

Insert the soft light handle into the hole and lock the lock knob on the hole.

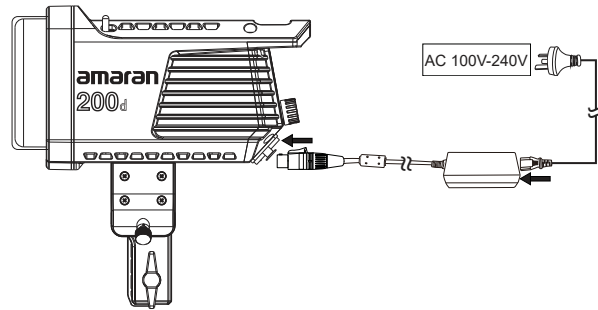


## 5. Adapter mounting

Run the wire rope through the adapter clasp and hang it on the bracket.



## The power supply Powered by AC

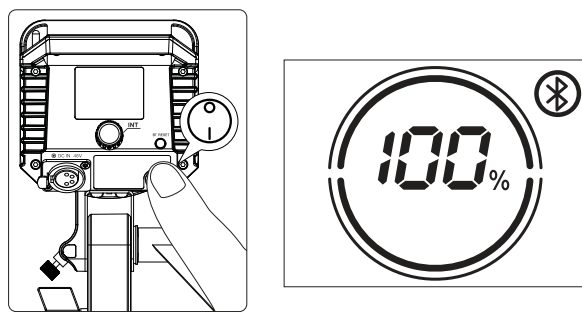


\* Please press the spring-loaded lock button on the power cord to remove the power cord. Do not pull it out forcibly.

-7-

## Operations

### 1. Press the power button to turn the light on and off



### 2. Manual control

2.1 Brightness adjustment

- Rotate the INT adjusting knob to adjust the brightness with 1% variable, and the brightness change range is (0-100) %, and display the change of (0-100) % in real time on the LIGHT body OLED display;
- Click the INT adjustment knob to quickly switch the brightness level: 20% → 40% → 60% → 80% → 100% → 20% → 40% → 60% → 80% → 40% → 60% → 80% → 100% cycle switch.



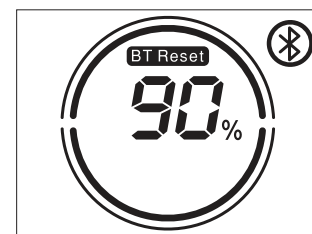
-8-

### 3. Wireless mode adjustment

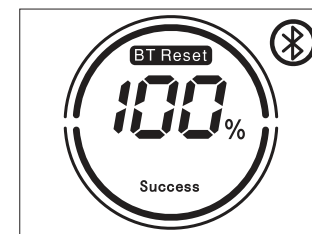
The user can connect the light body named Amaran 200d-xxxxxx through the bluetooth of the mobile phone or tablet (Bluetooth serial number). At this time, the light body can be controlled wirelessly through the mobile phone or tablet. When the light effect is controlled by APP, the word "FX" is displayed in the upper left corner of LCD. In wireless mode, 8 lighting effects can be controlled through App: paparazzi, fireworks, faulty bulb, lightning, TV, pulse, flash, and Fire. And App can control all kinds of light effect, brightness, frequency.

### 4. Reset Bluetooth

- 4.1 Long press the Bluetooth Reset button to reset bluetooth.
- 4.2 During the Reset process, the LCD displays BT Reset and the Bluetooth icon is flashing, and the percentage shows the current Reset progress (1%-50%-100%).

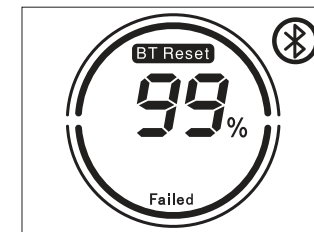


- 4.3 The LCD will display [Success] 2 seconds after the Bluetooth reset is successful.



-9-

- 4.4 If the Bluetooth reset is unsuccessful, the LCD will display [Failure] and disappear after 2 seconds.



- 4.5 After resetting the light's Bluetooth connection, your mobile phone or tablet will be able to connect to and control the light.

### 5. OTA mode

Firmware updates can be updated online via the Sidus Link app for OTA updates.



### 6. Using the Sidus Link APP

You can download the Sidus Link app from the iOS App Store or Google Play Store for enhancing the functionality of the light. Please visit [sidus.link/app/help](http://sidus.link/app/help) for more details regarding how to use the app to control your Aputure lights.



Sidus.link/app/help



Get Sidus Link® App

-10-

## Specifications

Light Operating Current	5.2A	Power Consumption	250W maximum
Light Power Supply	DC 48V	Cooling Mode	Active Cooling
Adapter Power Supply	AC 100-240V 50/60HZ	CRI	≥95
TLCI	≥96	APP Control Type	Bluetooth
Color Temperature	5500K	Remote Ability	≤100m
Radio Frequency	2.4GHz		
Sizes (L*W*H)	207.5x154x164.8mm		

## Photometrics

CCT	Distance	Illumination		
		1m	3m	5m
5500K	Bare Bulb	762(f)	91(f)	35(f)
		8200(lux)	980(lux)	380(lux)
	Hyper-Reflector	6038(f)	566(f)	195(f)
		65000(lux)	6100(lux)	2100(lux)

\* This is an averaged result, the number might be slightly different on each light.

-11-

**Aputure®** GUARANTEE CARD

**Service Warranty (EN)**

Aputure Imaging Industries Co., Ltd. warrants that the product purchased from Aputure is free from material and workmanship defects for a period of one (1) year after the date of purchase. For more details of warranty, visit [www.aputure.com](http://www.aputure.com).

**Important:** Keep your original sales receipt. Be sure the dealer has written on it the date, serial No. of the product. This information is required for warranty service.

**This warranty does not cover:**

- Damage that is the result of misuse, abuse, accident (including but not limited to damage by water), faulty connection, defective or modified associated equipment, or the use of the product with accessories or components that are not approved by Aputure.
- Cosmetic defects that appear more than thirty (30) days after the date of purchase. Cosmetic damage caused by improper handling is also excluded.
- Damage that occurs while the product is being shipped to whoever will service it.

**This warranty is void if:**

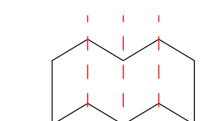
- The product identification or serial No. label is removed or defaced in any way.
- The product is serviced or repaired by any one other than Aputure or an authorized Aputure dealer or service agency.

Aputure Imaging Industries Co., Ltd.  
Add: F/3, Building 21, Longjun Industrial estate,  
Heping West Road, Shenzhen, Guangdong  
E-MAIL: [cs@aputure.com](mailto:cs@aputure.com)  
Sales Contact: (09)755-82828569-613

Serial No.	
Item Name	
Purchase Date	
Buyer Name	
Buyer Phone	
Buyer Add	
Franchiser Seal	

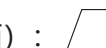
Add: No. Building 21, Longjun Industrial Estate, Heping West Road, Shenzhen, Guangdong

折页方式:



为折线(不印刷)

折页成型 (英文在正面):



<b>Aputure®</b> 深圳市爱图仕影像器材有限公司			
设计项目	176 说明书	图号	AP-176-PR-01
尺寸(mm)	682.5*280mm 折页尺寸: 97.5*140mm	版本	V1.0
材质工艺	70g 铜版, 正反两面印刷	设计师	Ingrid
备注	料号: 517600020000	日期	20201019

# Amaran 200d 使用者指南

中文

## 前言

感谢您购买“艾蒙拉”系列LED摄影灯—Amaran 200d。Amaran 200d是艾蒙拉系列全新设计推出的高性价比灯具。该灯具结构设计紧凑，小巧轻便，质感出色。有较高的性能水平，如高亮度、高显指、能调节亮度。能够和现有的保荣卡口灯光附件通用，实现多种灯光效果，更加丰富产品使用形态。使产品满足不同场合的控光需求，轻松实现专业级摄影摄像。

## 重要的安全说明

- 使用此摄影灯时，应始终遵循基本的安全预防措施，包括：
1. 使用前阅读并理解所有说明。
  2. 当儿童靠近设备或使用设备时，必须进行密切监督。在使用设备时，请勿将设备置于无人看管状态。
  3. 必须小心接触高温部件防止被烫伤。
  4. 请勿操作电源线损坏的设备以及掉落或损坏的设备，直到合格的维修人员检查过。
  5. 请归置好电源线，防止被电源线绊倒或拉扯电源线导致设备断电，且电源线不可接触灼热表面。
  6. 如果需要延长线，应使用额定电流至少等于设备额定电流的延长线。额定电流小于设备的电线可能过热。
  7. 在清洁和维修之前以及不使用时，务必从电源插座上拔下电器插头。切勿拉扯电线从插座拔出插头，应抓住插头并拉动来拔出。
  8. 在存放前让设备完全冷却。存放时，请将电源线从设备上拔出，待冷却后归置在手提包对应位置。
  9. 为降低电击风险，请勿将本产品浸入水中或其他液体中。

您可以在本公司网站 [www.aputure.com/cn](http://www.aputure.com/cn) 中找到本设备的详细使用者指南。

-1-

10. 为降低电击风险，请勿拆卸本产品，在需要维修时将其交给合格的维修人员。不正确的重装可能会在随后使用设备时引起电击。
11. 使用非制造商推荐的配件可能会引起火灾、电击或人身伤害。
12. 请将本产品连接到接地插座。
13. 使用前请将保护罩取下。
14. 使用标准罩前将EVA内托取下。
15. 本产品工作时，请勿遮挡散热孔，勿直视COB灯珠；任何情况下勿触摸COB灯珠。
16. 勿将本产品置于液体或其他易燃，易挥发溶剂附近，避免损坏产品。
17. 请用软布、干布清洁本设备。
18. 请勿在潮湿的环境下使用本设备，否则有短路或电击的危险。
19. 需要维修时请联系授权的维修人员。本设备内有精密电子线路。未经许可擅自拆卸导致故障不在本司保修范围内，但用户可以付费维修。
20. 建议使用爱图仕原厂线缆。由于使用非爱图仕原厂附件导致本产品的任何损坏，不在本司保修范围内，但用户可以付费维修。
21. 本产品已通过RoHS, CE, KC, PSE和FCC认证，请参考相关国家标准使用和操作。因使用操作不当而造成机器损坏，不在保修范围内，但用户可以付费维修。
22. 此使用者指南依据本公司严格测试制定。设计和规格如有变更，恕不另行通知。



## 保存这些说明

-2-

## FCC 符合声明：

此设备符合 FCC 规则第 15 部分中的规范。操作设备须符合以下两个条件：  
 (1) 此设备不会导致有害干扰；  
 (2) 此设备可承受任何外来干扰，包括可能导致非预期操作的干扰。  
**【警告】** 如果用户未经爱图仕明确许可而进行改动或改装，可能会丧失继续操作该设备的权利。  
**【注】** 此设备经测试确定符合 B 类数码设备（依照 FCC 规则第 15 部分规范）的限制。这些限制的设计旨在为居住场所安装条件下的有害干扰提供合理的保护。此设备生成、使用并可以发射射频能量。如果未按照指示安装和使用，可能对无线电通信造成有害干扰。但是，在特定安装条件下，不保证这类干扰不会发生。如果此设备确实对无线电或电视机接收信号造成有害干扰，而这点可以通过关闭和打开设备来确定，那么建议用户尝试使用以下一种或多种措施来消除干扰：  
 • 扩大设备与接收器之间的距离。  
 • 将设备连接到其他电路的插座中，而不是接收器所连接电路的插座。  
 • 咨询经销商或有经验的无线电/电视机技术人员以获得帮助。

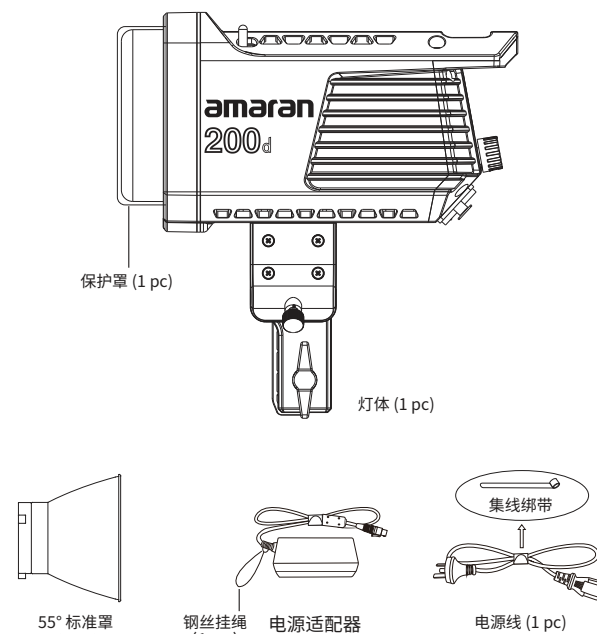
## FCC 辐射暴露声明

本设备符合 FCC 针对未受控制环境所制定的辐射暴露限制。

-3-

## 物品清单

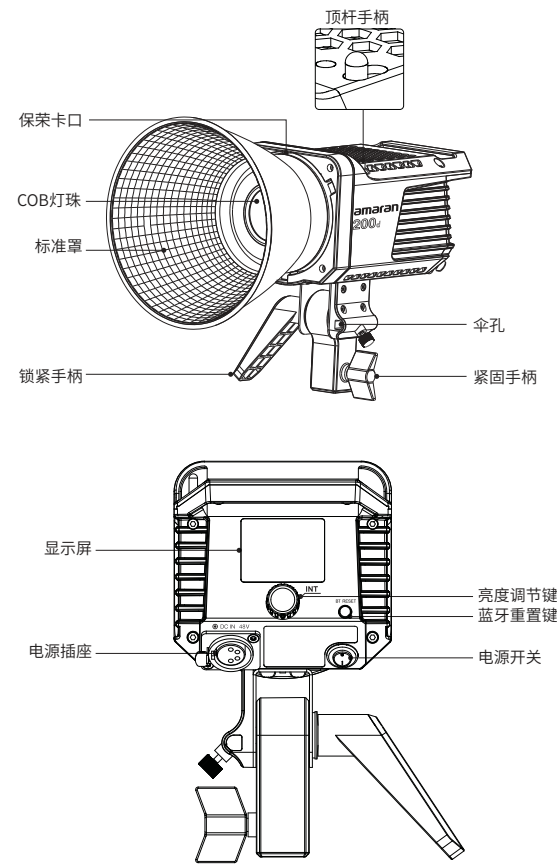
使用本产品前，请检查包装内是否包含所有以下物品。如有缺失，请与经销商联系。



-4-

## 产品视图

### 1. 灯体

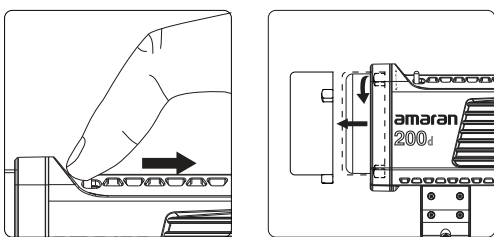


-5-

## 安装

### 1. 保护罩的拆卸与安装

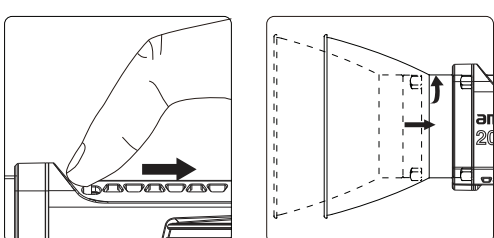
按照图示箭头方向拔顶杆手柄，同时将保护罩旋转拔出。反方向旋转则将保护罩装入。



\* 使用时，务必将保护罩拔出，否则会烧掉。不使用时，将保护罩装入以保护灯头。

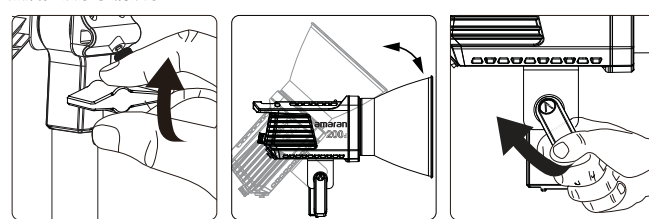
### 2. 标准罩的安装与拆卸

按照图示箭头方向拔顶杆手柄，同时将标准罩旋转装入。反方向旋转则将标准罩拔出。



### 3. 固定灯体

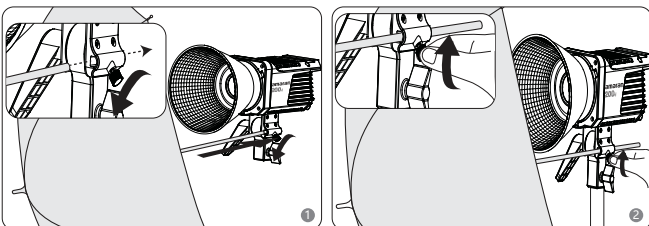
调节灯体到合适高度，旋转紧固手柄固定灯体在三脚架上，再调节灯体到需要的角度，然后把锁紧手柄锁紧。



-6-

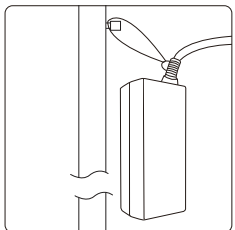
## 4. 柔光伞安装

将柔光伞伞柄插入伞孔内，锁紧伞孔上的锁紧旋钮。



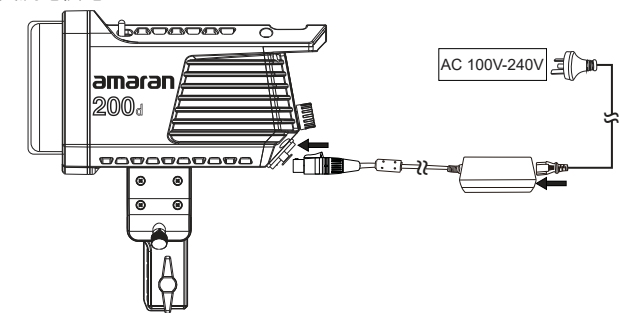
## 4. 适配器挂装

可将钢丝挂绳从适配器扣环穿过，然后挂在支架上即可。



## 供电

### 交流电供电

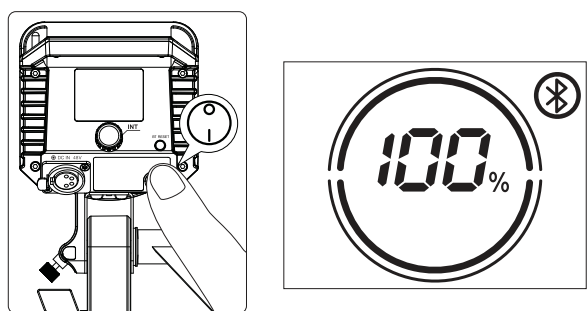


\* 拆卸电源线时，请下拉电源线上的弹簧锁扣按钮再拆卸，切勿硬拔。

-7-

## 操作

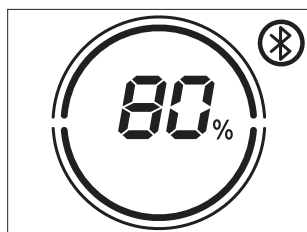
### 1. 接通电源，打开灯体电源开关。



### 2. 手动控制

#### 2.1 亮度调节

- a. 旋转亮度调节旋钮，以1%的变量调节亮度，亮度变化范围为 (0-100) %，并且在灯体显示屏上实时显示 (0-100) %的变化；
- b. 点击亮度调节旋钮可快速切换亮度档位：20%→40%→60%→80%→100%→20%→40%→60%→80%→100%循环切换。



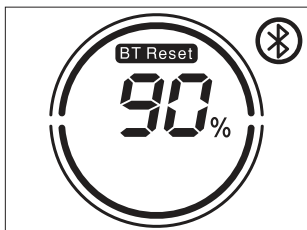
-8-

### 3. 无线模式调节

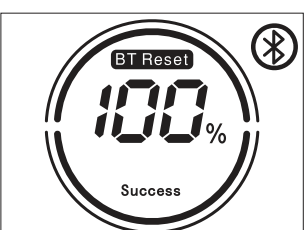
用户可通过手机或平板蓝牙连接名称为Amaran 200d-xxxxx (蓝牙序列号)的设备，此时可通过手机或平板无线控制设备。通过APP控制光效时，在LCD左上角显示【FX】字样。在无线模式下，可通过App控制8种光效：狗仔烟、烟花、故障灯泡、闪电、电视、脉搏、闪光灯、爆炸；并且可通过App控制各光效、亮度、频率。

### 4. 重置蓝牙

- 4.1 长按蓝牙重置按键，进行蓝牙重置。
- 4.2 重置过程中，LCD显示【BT Reset】并且蓝牙图标处于闪烁状态，百分比显示当前重置进度 (1%-50%-100%)。

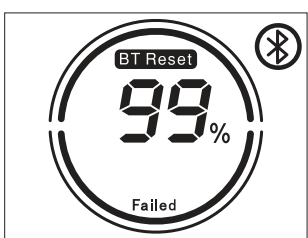


### 4.3 蓝牙重置成功，LCD显示【Success】2秒后消失。



-9-

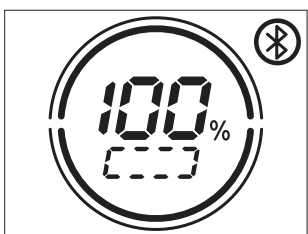
### 4.4 蓝牙重置不成功，LCD显示【Failure】2秒后消失。



### 4.5 重置蓝牙配对后，设备可通过与灯连接。

### 5. OTA 模式

固件升级可以通过Sidus Link app进行OTA在线升级更新。



### 6. Sidus Link APP的使用

您可以在App store和安卓市场搜索sidus link下载专业控制软件来控制爱图仕灯具，更多详细使用方法请访问：[sidus.link/app/help](http://sidus.link/app/help)



[Sidus.link/app/help](http://Sidus.link/app/help)



获取 Sidus Link® App

-10-

## 规格

灯体工作电流	5.2A	功耗 (MAX)	250W
灯体工作电压	DC 48V	散热方式	主动散热
适配器工作电压	AC 100-240V 50/60HZ	CRI	≥95
TLCI	≥96	App控制方式	蓝牙
色温	5500K	控制距离	≤100m
工作频率	2.4GHz		
尺寸 (长x宽x高)	207.5x154x164.8mm		

## 亮度测试数据表

CCT	距离	1m	3m	5m
		照度	照度	照度
5500K	裸光源	762(fc)	91(fc)	35(fc)
		8200(lux)	980(lux)	380(lux)
	标准罩	6038(fc)	566(fc)	195(fc)
		65000(lux)	6100(lux)	2100(lux)

\* 亮度数据为平均数据，不同灯的亮度会有微小差异。

-11-

**Aputure® 保修卡**

深圳市爱图仕影像器材有限公司  
Aputure 爱图仕  
检验：合格

经销商印章

产品编号	产品名称	购买日期	用户姓名	用户电话	用户地址

地址：深圳市龙华新区和平西路第九家龙军工业区

**保修条款(中文)**

本公司对产品第一类主客户提供为期一年的质量保证证明。质保内容和细节，请登陆我们的网站[www.aputure.com](http://www.aputure.com)。

**重要说明：**  
 请保留您购买单据及保修卡，当您购买的产品应商材料都在此单时，同时到您的购买日期，产品序列号等，这些资料在保修时都会需要提供。

**质保范围不包括：**

- 产品不当使用：破坏、意外、错误接线、不良或失效的外接装置，不适当的存放或运输造成的损坏(包括由于雨水等引起)；
- 目的为30天产品外观的损伤，或是不当的表面处理造成的损坏；
- 任何因运输造成的损坏，不在质保范围。

**质保无效说明：**

- 产品序列号标识已经被擦去或无法辨识；
- 产品未经本公司或者指定授权维修公司的检修及改装；
- 产品未经本公司或者指定授权维修公司的检修及改装；
- 产品未经本公司或者指定授权维修公司的检修及改装；
- 产品未经本公司或者指定授权维修公司的检修及改装；

深圳市爱图仕影像器材有限公司  
 地址：广东省深圳市龙华和平西路第九家龙军工业区  
 邮编：518108  
 电话：0755-82825556-613  
 服务热线：400-959-929

-12-