

[Skip to content](#)

**Manuals+**

User Manuals Simplified.



## Aputure LS 1200D Pro LED Light Instruction Manual

March 14, 2022 March 16, 2022 [Leave a comment on Aputure LS 1200D Pro LED Light Instruction Manual](#)

[Home](#) » [Aputure](#) » [Aputure LS 1200D Pro LED Light Instruction Manual](#)



LS 1200D Pro LED Light

Instruction Manual

### Thank You!

Thank you for purchasing the Aputure® "Light Storm" series of LED light fixture – LS 1200d Pro.

Aputure LS 1200d Pro is the latest high-power LED lamp with a high light energy conversion rate, which can easily meet the illumination requirements of the studio. The ultra-high color rendering index can perfectly restore the skin color of the characters. The high-quality structure does not fear the heavy work of the studio. It supports Sidus Link® App wireless Control, flexible control of the light on the set.

LS 1200d Pro brings an efficient and convenient lighting operation experience to professional film and television producers, helping them to freely capture the vivid details of the shooting scene.

### Contents [hide](#)

[1 IMPORTANT SAFETY INSTRUCTIONS](#)

[2 FCC Compliance Statement](#)

[3 Components List](#)

[4 Product Details](#)

[5 Setting Up the Light](#)

[6 Powering Up](#)

[7 Operations](#)

[8 Specifications](#)

[9 Photometrics](#)

[10 Trademarks](#)

[11 Documents / Resources](#)

[11.1 Related Manuals / Resources](#)

## IMPORTANT SAFETY INSTRUCTIONS

When using this unit, basic safety precautions should always be followed, including the following:

1. Read and understand all instructions before using them.
2. Close supervision is necessary when any fixture is used by or near children. Do not leave the fixture unattended while in use.
3. Care must be taken as burns can occur from touching hot surfaces.
4. Do not operate the fixture if a cord is damaged, or if the fixture has been dropped or damaged, until it has been examined by qualified service personnel.
5. Position any power cables such that they will not be tripped over, pulled, or put into contact with hot surfaces.
6. If an extension cord is necessary, a cord with an amperage rating at least equal to that of the fixture should be used. Cords rated for less amperage than the fixture may overheat.
7. Always unplug the lighting fixture from the electrical outlet before cleaning and servicing, or when not in use. Never yank the cord to remove the plug from the outlet.
8. Let the lighting fixture cool completely before storing. Unplug the power cable from the lighting fixture before storing and storing the cable at the assigned space of the carrying case.
9. To reduce the risk of electric shock, do not immerse this fixture in water or any other liquids.
10. To reduce the risk of fire or electric shock, do not disassemble this fixture. Contact [cs@aputure.com](mailto:cs@aputure.com) or take the lighting fixture to qualified service personnel

when service or repair is required. Incorrect reassembly may cause electric shock when the lighting fixture is in use.

11. The use of any accessory attachment not recommended by the manufacturer may increase the risk of fire, electric shock, or injury to any persons operating the fixture.
12. Please power this fixture by connecting it to a grounded outlet.
13. Please remove the protective cover before use.
14. Please remove the protective cover before using the reflector.
15. Please do not block the ventilation or do not look at the LED light source directly when it is powered on. Please do not touch the LED light source in any condition.



16. Please do not place the LED lighting fixture near any flammable object.
17. Only use a dry microfiber cloth to clean the product.
18. Please do not use the light fixture in wet conditions on account of electric shock that may be caused.
19. Please have the product checked by an authorized service personnel agent if the product has a problem. Any malfunctions caused by unauthorized disassembly are not covered by the warranty. The user may pay for maintenance.
20. We recommend only using the original Aputure cable accessories. Please note that any malfunctions caused by using unauthorized accessories are not covered by the warranty. The user may pay for maintenance.
21. This product is certified by RoHS, CE, KC, PSE, and FCC. Please operate the product in full compliance with the relevant country's standards. Any malfunctions caused by incorrect use are not covered by warranty. The user may pay for maintenance.
22. The instructions and information in this manual are based on thorough, controlled company testing procedures. Further notice will not be given if the design or specifications change.

### SAVE THESE INSTRUCTIONS

### FCC Compliance Statement

This device complies with Part 15 of the FCC Rules. Operation is subject to the following two conditions:

1. This device may not cause harmful interference.
2. This device must accept any interference received, including interference that may cause undesired operation.

**Warning:** Changes or modifications not expressly approved by the party responsible for compliance could void the user's authority to operate the equipment.

**NOTE:** This equipment has been tested and found to comply with the limits for a Class B digital device, pursuant to Part 15 of the FCC Rules. These limits are designed to provide reasonable protection against harmful interference in a residential installation.

This equipment generates, uses, and can radiate radio frequency energy and, if not installed and used in accordance with the instructions, may cause harmful interference to radio communications. However, there is no guarantee that interference will not occur in a particular installation. If this equipment does cause harmful interference to radio or television reception, which can be determined by turning the equipment off and on, the user is encouraged to try to reorient or relocate the receiving antenna.

- Increase the separation between the equipment and receiver.
- Connect the equipment to an outlet on a different circuit than the receiver is connected to.
- Consult the dealer or an experienced radio/TV technician for help.

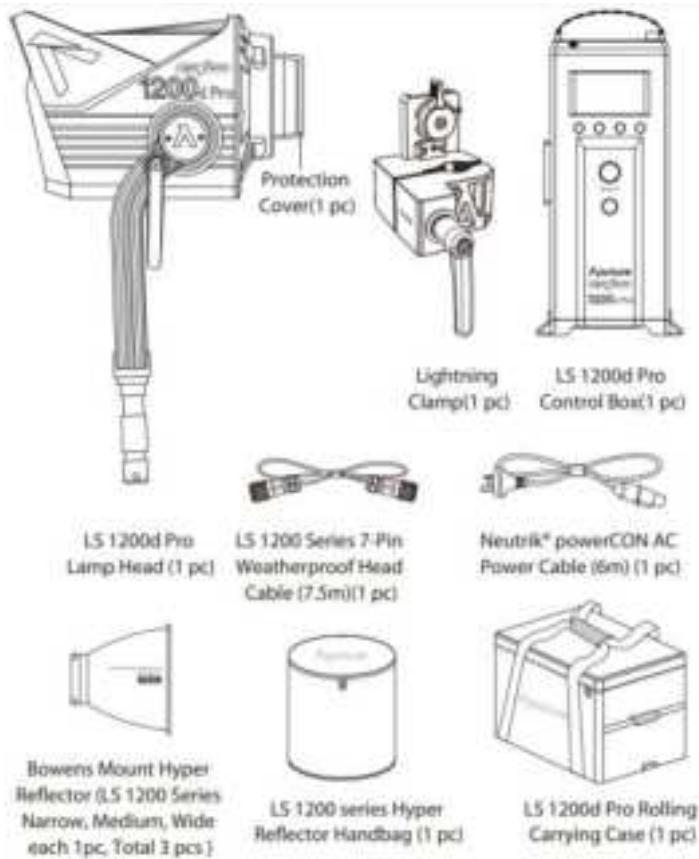
### RF Warning Statement:

This device has been evaluated to meet general RF exposure requirements.

### Components List

Please make sure all accessories listed below are completed before use.

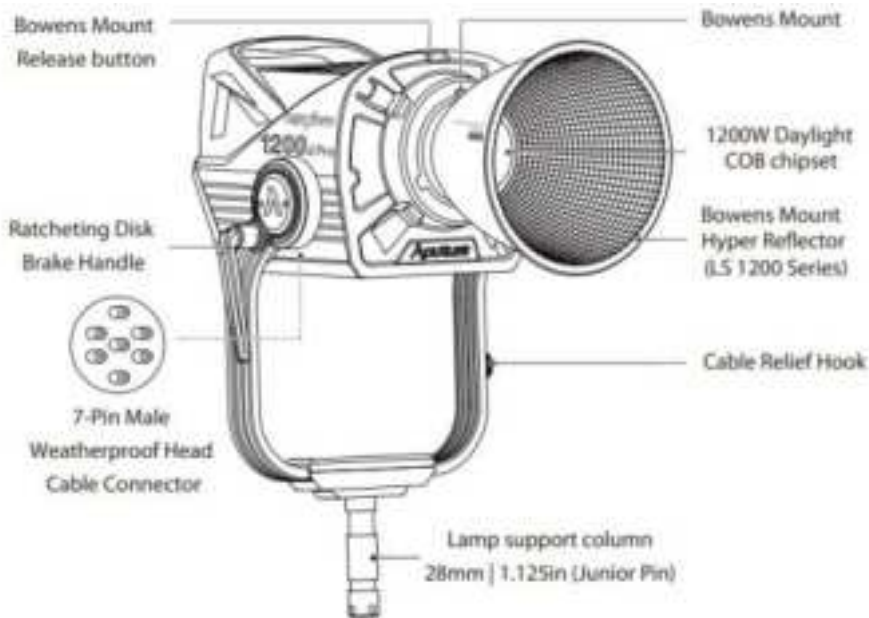
If not, please contact your sellers immediately.



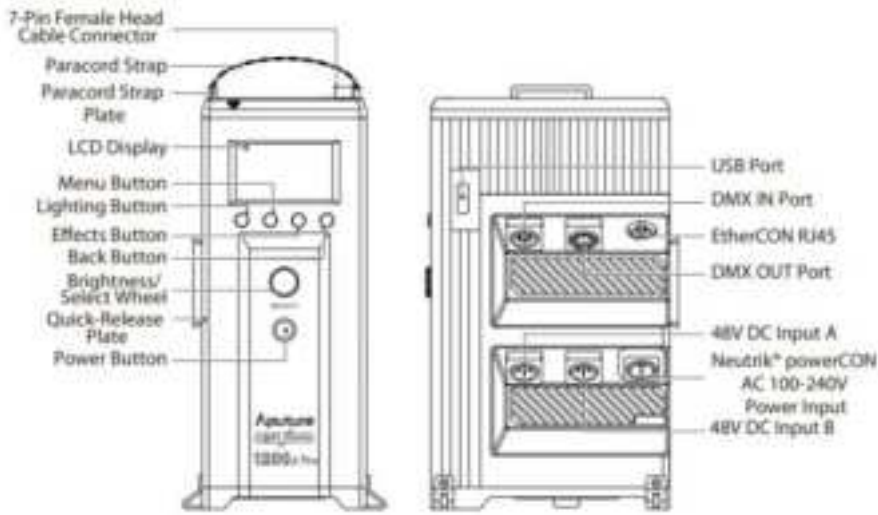
Tips: The illustrations in the manual are only diagrams for reference. Due to the continuous development of new versions of the product, if there are any differences between the product and the user manual diagrams, please refer to the product itself.

## Product Details

### Lamp Head



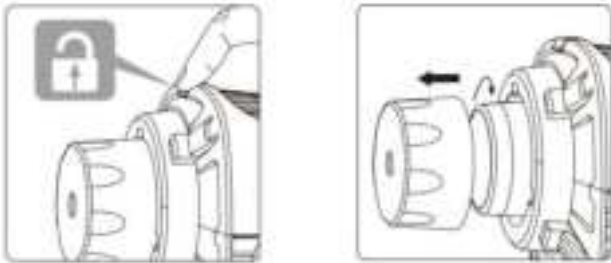
### Control Box



## Setting Up the Light

### Attaching/detaching the Protection Cover

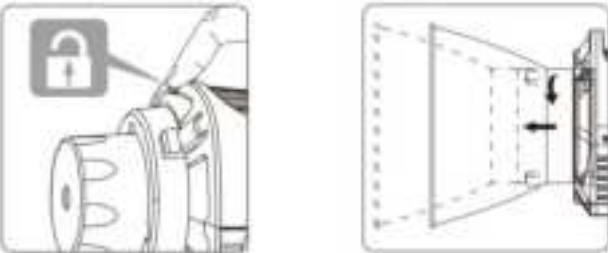
Press the release button following the arrow and rotate the cover clockwise to detach the cover. To reattach the cover, insert it into the Bowens mount and rotate counterclockwise.



Notice: Always remove the protection cover prior when turning on the light. Always re-install the cover when packing it away.

### Attaching/detaching the Bowens Mount Hyper Reflector (LS 1200 Series)

To install the reflector, press the release button, insert the reflector into the Bowens mount, and rotate it counterclockwise as shown in the following pictures. To remove the reflector, pull back the release button and rotate the reflector clockwise.



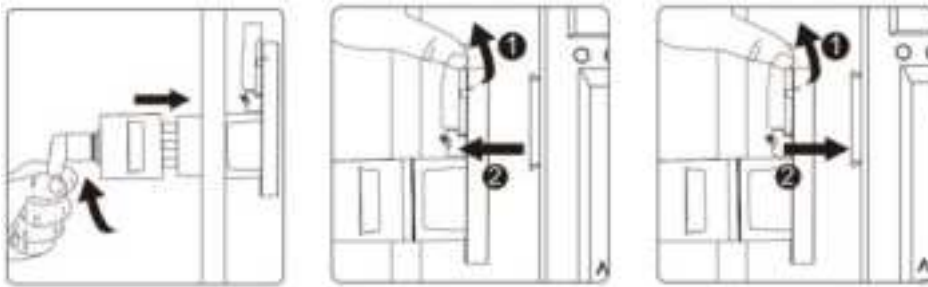
### Setting up the Lamp Head

Put the Junior Pin of the lamp head into the hole of the lampstand, and use the fastening knob of the lamp holder to lock it. The angle of the lamp head can be adjusted by rotating the handle on the side of the lamp head.



### Lightning Clamp Operation Instructions

1. Clamp the Lightning Clamp onto a light stand or yoke.
2. To attach the control box, rotate the release lever to unlock the quick-release baseplate, then mount the control box onto the Lightning Clamp (the release lever will automatically spring back).
3. To remove the control box, grasp it firmly, then unlock the quick-release plate by turning the release lever, and detach the control box.



**Lightning Clamp Specifications**

Weight

670g / 1.48lbs

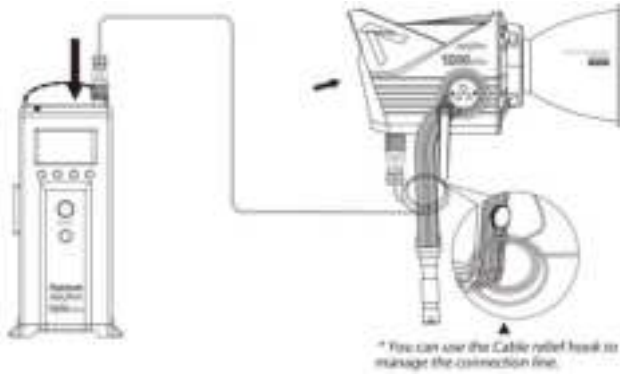
Sizes(L\*W\*H)

10.35×8.74×12.5cm / 4.07×3.44×4.92in

\* The Lightning Clamp can clamp onto square or round pipe with a diameter between 2-5cm or 0.79-1.97in.

**Connect the Lamp Head to the Control Box**

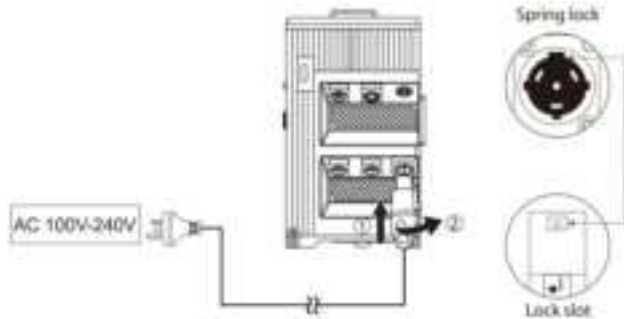
Connect the Lamp Head to the control box using the LS 1200 Series 7-Pin Weatherproof Head Cable.



\*Disconnect the Head Cable by pulling up the collar on the connector. This will disengage its locking structure. Do not pull directly.

**Powering Up**

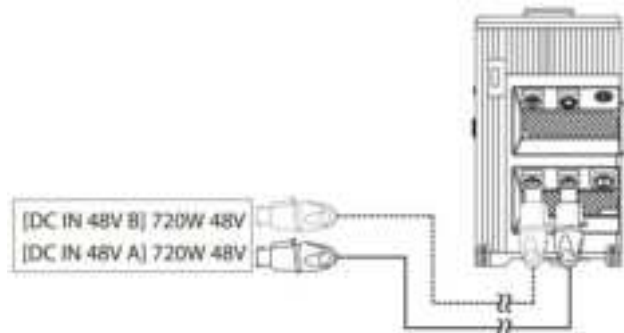
**Powering by AC**



\* To disconnect the Neutrik® power cable, pull back on the yellow release tab on the cable connector, and rotate the connector counterclockwise. Do not pull directly.

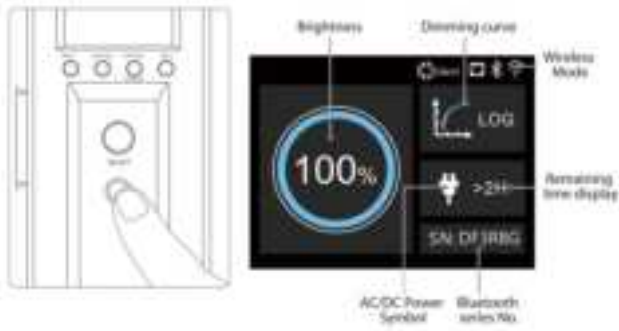
**Powering by DC**

Single-way DC power supply 720W 48V supports half-power output, dual-way DC power supply 720W 48V supports full power output. If the A/B two-way power supply is not balanced, please promptly turn down the brightness of the lamp head, such as not turning down the brightness, in order to avoid damage, the control box will pop up to remind the interface and suspend the output of the lamp head after the 30-second countdown.  
(If you need to meet 100% output, please use 48V constant voltage DC power supply)



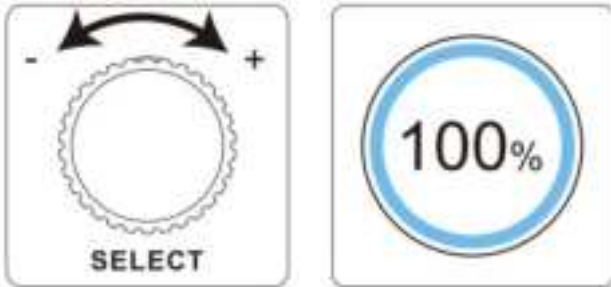
**Operations**

**Press the Power Button to Turn the Light On and Off**



**Control**

1. Rotate the Select Wheel to adjust the intensity of the light from 0-100% in 0.1% increments. The speed with which you turn the knob will change the rate of increase or decrease.



2. Press the MENU button to enter the Menu Interface. In the Menu Interface, you will find DMX Mode, Lead-follow Mode, Dimming Curve, Fan Mode, Studio Mode, Frequency Selection, Control System, Language, Factory Reset, Update, Product Information, Custom FX.



**DMX Mode**

Press the MENU button to enter the menu interface, rotate the Select wheel, and short press to enter the DMX mode.

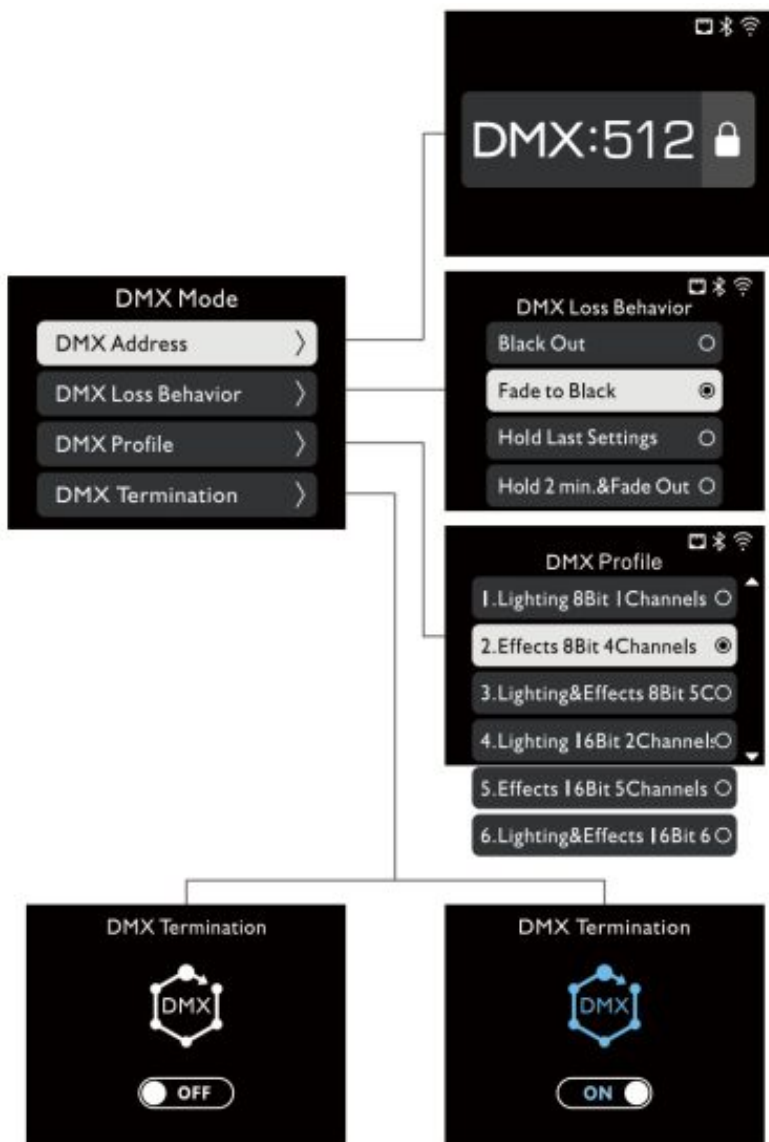
DMX address: LS 1200d Pro will be set to in DMX Address interface.

DMX Loss Behavior: Use the Select button to select Blackout /fade to Black /Hold the last setting/ Hold 2 min& fadeOut.

1. Blackout -when the DMX signal is lost, it will be Blackout.
2. Fade to Black -after the DMX signal is lost, it will fade to Black in 60 seconds.
3. Hold the last setting -After the DMX signal is lost, remember the last control set.
4. Hold 2 min& Fade Out -After the DMX signal is lost, keep the last control set for two minutes, and then Fade to Black within 60 seconds.

DMX Profile: Rotate the Select wheel, and short press to select Lighting / Effect /Lighting& Effects 8-bit or 16-bit.

DMX Termination: toggle Auto-termination on or off.



\*The fade-out time decreases as the percentage of brightness decreases. When the brightness output is 100%, the fade-out time is 60 seconds, which decreases in sequence.

\*\*If the signal is reconnected, the DMX console will continue to maintain the signal output as same as before.

#### Lead-Follow Mode

Lead-follow Mode: In the Lead-follow Mode, the user can set the device as the leadlight and the following the light. When adjusting the functions and parameters of the lead lamp, the following lamp will automatically adjust to the same state as the lead lamp.

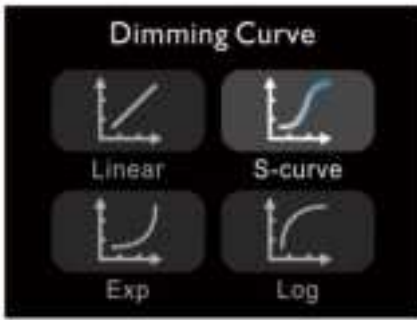
Set the Leadlight: Connect the light fixtures through the DMX cable, select a Light fixture and press the MENU button to enter the menu interface. Rotate the Select wheel to select the mode. After selecting the Lead-follow Mode, short press the Select wheel to enter the Lead-follow mode-setting interface. Select YES in the setting interface to set the light as the leadlight, and other light fixtures connected to the leadlight will become the following light. If you need to change the following lamp to the lead lamp, repeat the above operation for the following lamp.



**Note:** The Light fixture connected through the DMX connectors will have only one lead lamp after entering the lead-follow mode, and the rest will be followed by lamps.

#### Dimming Curves

Press the MENU button to enter the menu interface, rotate the Select wheel to select Dimming Curve, and press the MENU button to enter the Dimming Curve selection menu. Using the wheel to choose from linear, S-Curve, exponential (Exp), or logarithmic (Log) dimming curves, and press the MENU button to confirm the selection.



#### Fan Mode

Press the MENU button to enter the menu interface, rotate the Select wheel, and press to enter the Fan Mode. Turn the Select wheel to choose from smart/ high/ medium/ silent mode, and then press the Select wheel to confirm the selection.

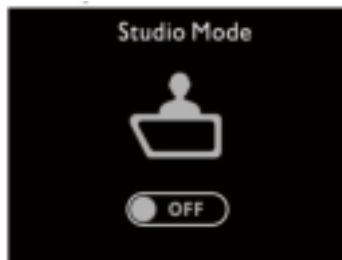


\*Silent: Deactivate All Fans, Limit Output to 100W.

\*When the overheat symbol appears on the light control interface, please follow the text underneath to adjust the Fan Mode to Smart or High. If the internal temperature of the lamp reaches the threshold that needs to be cooled, the lamp will automatically shut down due to overheat protection.

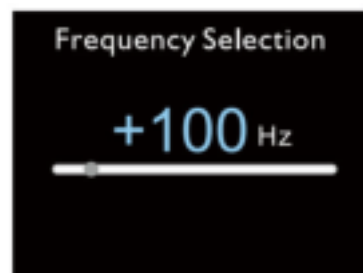
#### Studio Mode

Press the MENU button to enter the menu interface, rotate the Select wheel to select, and press to enter Studio Mode interface. Then, press the Select wheel again to turn the Studio Mode ON or OFF. When the studio mode is turned on (ON), the lamp can be turned on directly, when the studio mode is turned off (OFF), you need to press the power switch to turn on the lamp.



#### Frequency Selection

Press the MENU button to enter the menu interface, rotate the Select wheel to select, and press to enter the Frequency Selection interface. Rotate the Select wheel to adjust the light frequency by 100Hz every turn.



#### Control System

LS 1200d Pro has three remote control methods: Bluetooth, LumenRadio, and Ethernet. Only one control mode can be used at one time.



#### Bluetooth

1. In the control interface, rotate the Select wheel to select and press to enter the Bluetooth mode interface. Then, you can choose to turn on or off or reset Bluetooth.

In the Bluetooth reset interface, you can choose to upgrade or return to the previous menu. Select Bluetooth to reset to turn on the Bluetooth for lamp pairing, the Bluetooth serial number will be displayed below.

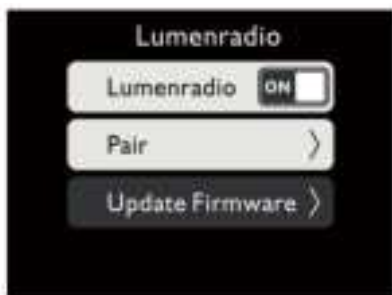


2. After the Bluetooth reset is successful, you can use a smart terminal (mobile phone or tablet) to pair and connect with the lamp. Then, you are able to control the light via a smart terminal. If the Bluetooth reset is unsuccessful, Reset Failed will pop-up and display for 2 seconds followed by returning back to the Bluetooth interface.



#### Lumenradio

In the control interface, rotate the Select wheel to select and press to enter the Lumenradio interface. By rotating and pressing the Select wheel, you can switch the Lumenradio on or off, and pairing status.



#### Ethernet

In the control interface, rotate the Select wheel to select and press to enter the Ethernet interface. You can set the IP manually in the Manual Set IP interface, or obtain IP automatically in the Automatic Obtain IP interface.



#### Language

Press the MENU button to enter the menu interface, rotate the Select wheel to select, and press to enter the Language menu. You can rotate the Select wheel to select English or Chinese, and then press the Select wheel to confirm the selection.



#### Factory Reset

Press the MENU button to enter the menu interface, rotate the Select wheel to select, and press to enter the Factory Reset interface. The factory settings are: fan is in smart mode, light effect brightness value is 50%, normal mode brightness is 50%, Bluetooth mode is turned on, studio mode is turned off, dimming curve-linear, DMX channel number 001, English, fireworks light effect, frequency 5.



**Update**  
 Press the MENU button to enter the menu interface, rotate the Select wheel to select, and press to enter the Update menu. You can update the firmware in the Update interface, and view the firmware version number. Firmware updating can also be done via the Sidus Link app using OTA (Over the Air Technology).



**Product Information**  
 Press the MENU button to enter the menu interface, rotate the Select wheel to select, and press to enter the product information, including the hardware version number and UID of the product.



**Custom FX**  
 Press the MENU button to enter the menu interface, rotate the Select wheel to select, and press to enter the Custom FX. You can choose to enter Picker FX, Music FX, or Touchbar FX interface. Each type can save 10 custom FXs. In the name of each FX, "NO FX" means unsaved FX, and "Untitled" means saved FX.



**Effects**  
 Press the Effects button to enter the Effects Mode. rotate the Select wheel to select and press to enter the Effects interface. You can choose from Paparazzi, fireworks, Faulty Bulb, Lightning, TV, Pulsing, Strobe, and Explosion effect.



\* In Lighting FX mode, manually short press the Effect button to trigger the lightning single-mode, Manually long-press the Effect button to enter the lightning cycle mode, and long-press the Effect button again to exit the lightning cycle mode.



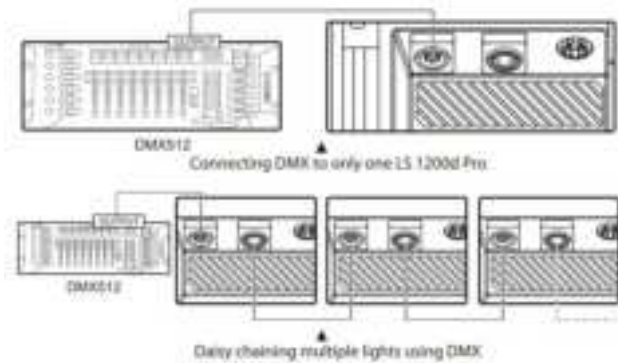
\*In the Explosion FX mode, the light effect needs to be triggered by the Effect button, and the light effect is triggered once by pressing the Effect button once.

1. Short press the select wheel to select brightness adjustment. Rotate the Select wheel to change the brightness of the lamp between 0%~100%.
2. Short press the select wheel to select frequency adjustment. Rotate the Select wheel to change the frequency of the lamp between 1~10; R means random.
3. In any condition, you can return to the regular lighting interface directly by pressing the Lighting button.
4. In any condition, you can return to the light effect interface by pressing the Effects button.

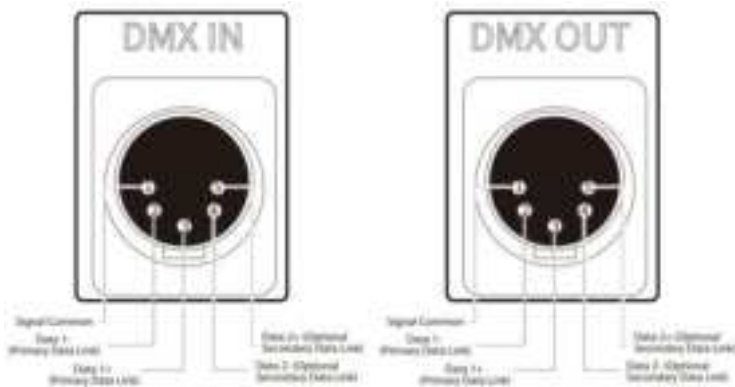
\* In the light Effect mode, if the power is suddenly cut off and the light is re-energized, the display screen displays the interface before the power is cut off and responds according to the display of the interface.

### Connecting to DMX

Connect DMX controller and LS 1200d Pro



\*The DMX interface schematic is shown in the pictures below:



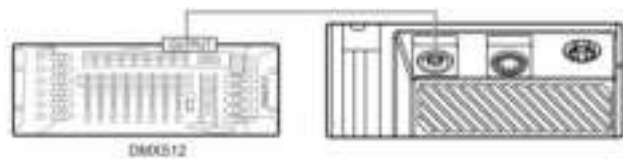
### Channel Selection

In DMX mode, match the channel of your DMX controller with the light, and then adjust accordingly.

- \* The default DMX channel is "001".
- \*\* The range of DMX channels is 1 to 512.

### Controlling Device Via DMX

Connect the DMX controller's OUTPUT to the 1200d Pro's controller INPUT as shown in the figure below.



DMX Chart

Mode	8-bit	16-bit	Function							
DMX Profile : Lighting	1	1-2	INT: 0-100%							
	1	1-2	INT: 0-100%							
DMX Profile : Effects	2	3	Paparazzi	Fireworks	Fault Bulb	Lightning	TV	Pulsing	Strobe	Explosion
	3	4	FRQ: 1-10/R							
	4	5	/	/	/	Initial value/ Trigger	/	/	/	/
	1	1-2	INT: 0-100%							
DMX Profile : Lighting & Effects	2	3	Lighting<->EFFECTS: 0-100%							
	3	4	Paparazzi	Fireworks	Fault Bulb	Lightning	TV	Pulsing	Strobe	Explosion
	4	5	FRQ: 1-10/R							
	5	6	/	/	/	Initial value/ Trigger	/	/	/	/

DMX Profile default is: Lighting 8Bit;  
DMX Profile Chart can be downloaded and browsed on the official website.

\* In DMX mode, intensity, FX frequency and lighting effects can only be controlled by a DMX controller.

\*\* When controlling multiple LS 600x Pro lights independently (i.e., A and B), offset each light by 5 channels. If you set light A at DMX 001, set light B at DMX 006, to control A and B separately on the DMX controller.

#### Using the Sidus Link APP

You can download the Sidus Link app from the iOS App Store or Google Play Store for enhancing the functionality of the light. Please visit [sidus.link/app/help](https://m.sidus.link/app/help) for more details regarding how to use the app to control your Aputure lights.



Get Sidus Link® App

<https://m.sidus.link/download>



[Sidus.link/app/help](https://m.sidus.link/app/help)

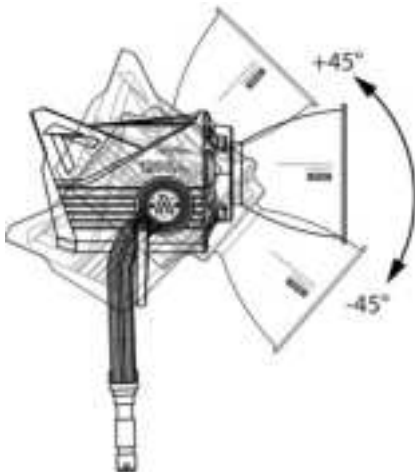
#### Specifications

Output Power	≤ 1200 W
Input Power	≤ 1440 W
CCT	5600 K
CRI	≥ 96
TLCI	≥ 98
CQS	≥ 95
SSI (D56)	≥ 73
TM-30 Rf (avg.)	93
TM-30 Rg (avg.)	102
Operating Voltage	100-240 V, 50-60 Hz
Operating Current	15 A
[DC IN 48V A] Requirement	48 V 720 W
[DC IN 48V B] Requirement	48 V 720 W
Operating Temperature	-20°C~45°C
Control Methods	On-board, Sidus Link® App, 5-Pin DMX / RDM, Art-net & sACN via etherCON, LumenRadio CRMX
Wireless Operating (Bluetooth)	≤ 80 m
Wireless Operating (LumenRadio)	≤ 100 m
Screen Ty pe	LCD (Adaptive Brightness)
Firmware Upgrade	USB, Sidus Link OTA
Cooling Method	Active Cooling
Weatherproof ing	Dust & Light Rain
Accessory Mount	Universal Bowens Mount Standard
Cable Type: Head Cable	7-Pin Weatherproof Head Cable (7.5 m)
Cable Ty pe: Power Cable	Neutrik® powerCON AC Power Cable (6 m)
Mounting	28mm I 1.125in (Junior Pin)

Dimensions (L * W * H)	Lamp Head w/o Yoke	33.23*23.16*21.63 cm / 13.08*9.11*8.51 in
	Lamp Head w/ Yoke	33.23*33.12*54.35 cm / 13.08*13.03*21.40 in
	Control Box	19.99*16.10*33.60 cm / 7.87* 6.33*13.22 in
Weight	Lamp Head	8.95 kg / 19.73 lbs
	Control Box	5.80 kg/ 12.79 lbs

\*The malfunctions caused by water in the lamp body are not covered under the warranty.

\*If the LS 1200d Pro is used in a heavy rain, it is recommended to use the tilt angle range of the lamp head as shown below:



## Photometrics

CCT	Distance	Bare Bulb	LS 1200 Series Hy per Ref lector (Narrow)	LS 1200 Series Hy per Ref lector (Medium)	LS 1200 Series Hy per Reflector (Wide)
5600 K	3 m	6,380 lux / 598 f c	83,100 lux / 7,788 f c	22,400 lux / 2099 f c	13,010 lux / 1364 f c
	5 m	2,802 lux / 263 f c	28,340 lux / 2,656 f c	8,200 lux / 769 f c	4,800 lux / 635 f c
	7 m	1,538 lux / 144 f c	15,200 lux / 1,425 f c	4,660 lux / 437 f c	2,706 lux / 264 f c
	9 m	964 lux / 90 f c	8,580 lux / 804 f c	2,880 lux / 270 f c	1,775 lux / 152 f c

\*This is an averaged result. The luminance of your individual unit may vary slightly from this data.

## Trademarks

Bowens is a trademark registered by Bowens in China and other countries.  
Neutrik® is a trademark registered by Neutrik® in the US and other countries.

## Documents / Resources



[Aputure LS 1200D Pro LED Light](#) [pdf] Instruction Manual  
LS 1200D Pro, LED Light



## Related Manuals / Resources

### [Aputure Light Storm User Manual](#)

Light Storm \* In lightning mode, short press the Trigger button to single trigger the light effect, long...

### [Aputure Light Dome 150 User Manual](#)

Light Dome 150



### [one LIGHT 69016 LED Aluminium Light Installation Guide](#)

INSTALLATION MANUAL 69016 ec inground 3W 100-240V P67 Aluminium Complete with 350mA driver.  
Warnings: 1. Make sure that...



### [martec Fortress Pro Series LED Security light Installation Guide](#)

martec Fortress Pro Series LED Security light Thanks for choosing our Fortress Pro series LED Security light. We...

## Leave a comment

Your email address will not be published.

Comment

Name

Email

Website

Save my name, email, and website in this browser for the next time I comment.

## [Manuals+](#)

- [home](#)
- [privacy](#)