



Isolate SE

Active Noise Cancelling Bluetooth Headphones

Item code: 100.642UK

User Manual

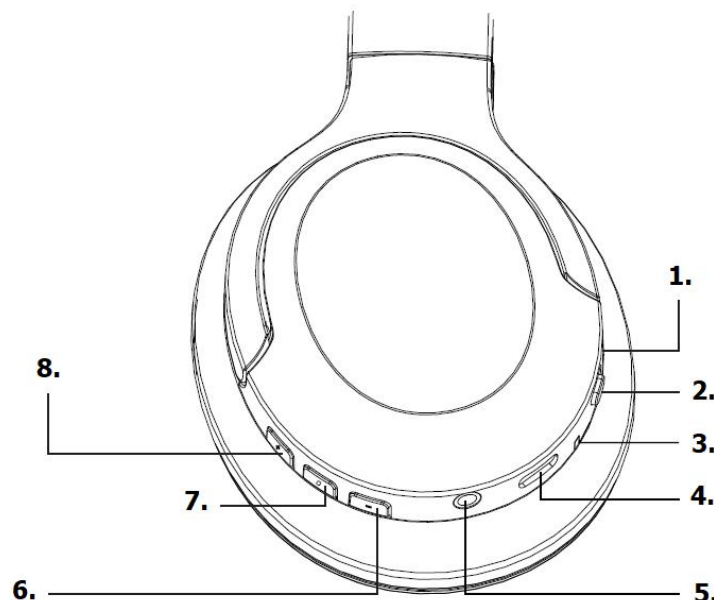
Introducing Isolate SE: the headphones that let you escape. Active noise cancelling blocks out background noise allowing you to focus solely on the music. Bluetooth connectivity gives you freedom to listen wirelessly wherever you go, with up to 24 hours of continuous playback catering for longer journeys. Lightweight, comfortable design with soft cushioned earcups incorporating intuitive controls to handle your music and receive hands-free calls with ease. When you are finished, simply fold them away and store in the hard-shell carry case for ultimate protection.

- Digital active noise cancelling, isolates you from the outside world
- 40mmØ professional neodymium drivers deliver a deep rich sound experience
- Super soft cushioned earcups and lightweight design for optimum comfort over prolonged periods
- Foldable headband and swivel earcups provide the perfect fit
- Inbuilt rechargeable battery provides up to 24 hours continuous playback
- Bluetooth 5.0 connectivity for optimum transmission speed up to 10m away from device
- Earcup controls for track selection, volume and hands-free calls
- Supplied with hard-shell carry case, USB Type-C charging lead and 3.5mm audio lead

Technical specifications:

Power supply	Internal rechargeable 400mAh Lithium battery
Battery life	Up to 15 hours (ANC Mode), up to 24 hours (BT mode) @ 50% volume
Charge time	2.5 hours
Speaker driver	40mmØ
Frequency response	20Hz - 20kHz
Sensitivity	110±3db
Noise cancellation	-23db
Impedance	32 Ohms
Connections	Bluetooth, 3.5mm stereo jack, USB Type-C (charging)
Bluetooth version	5.0
Bluetooth range	Up to 10m (clear line of sight)
Weight	225g

Controls and functions:



1. Built-In Microphone

Used to answer hands-free phone calls when the headphones are connected to a compatible device.

2. ANC ON/OFF Switch

Slide to turn the active noise cancelling on and off, the LED Indicator will illuminate green when ANC mode is active.

3. LED indicator

Illuminates red when the headphones are plugged in and charging and goes out when fully charged. Illuminates blue when connected to a compatible Bluetooth device and then flashes when music tracks are being played or hands-free calls received.

4. USB Type-C charging port

To charge the headphones, connect to a USB power source using the cable provided. Ensure the headphones are fully charged before first use.

5. 3.5mm (AUX) port

The headphones can be connected to any device with a 3.5mm jack output using the cable provided. To save on battery life when the cable is inserted, the headphones will automatically power down. **NOTE:** The earcup controls won't work when using this method to listen to music, but ANC mode can still be activated using the ANC ON/OFF switch (2).

6. Volume down/previous track button

Short-press to decrease the master volume and long-press to select the previous track in your playlist.

7. ON/OFF/Play/Pause/Call button

Press and hold to turn the headphones on or off. When turning the headphones on, "power on" will be heard, and Bluetooth pairing mode will be activated. "Pairing" can then be heard and the LED indicator will alternately flash red and blue. Select 'AV:LINK-Isolate SE' in your device's pairing list and use the code '0000' to pair if requested. When the devices are successfully paired, "connected" will be heard, and the LED indicator will illuminate blue.

Short-press to play and pause the current track or answer an incoming call. When a telephone call is received, a ringtone will be heard. To accept the call press once; to reject press twice.

8. Volume up/next track button

Short-press to increase the master volume and long press to move to the next track in your playlist. When the maximum volume is reached, an audible tone will be heard. **WARNING!** Listening to your headphones at high volumes for prolonged periods can damage your hearing.

Troubleshooting:

Q) The Bluetooth headphones will not pair with my device. **A)** Check that the headphones are in pairing mode; Bluetooth is enabled on your device; and the device is set as 'discoverable'.

Q) The Bluetooth headphones disconnect with my device within the stated 10m transmission distance. **A)** The maximum transmission distance stated is dependent on a clear line of sight between the headphones and your device. If there are large metallic objects or other devices transmitting radio or wireless signals in the vicinity, they may impact on the reception of the headphones.

Q) The Bluetooth headphones won't reconnect with my device. **A)** On occasion, your Bluetooth device or the headphones may enter a locked state and need resetting. To do this, Turn the headphones off, find them in your device list and select "forget this device". Then, follow the pairing instructions described in fig 7 above.



Do not attempt to service this product yourself as opening or removing covers may result in fire, electric shock or equipment damage and will also invalidate the warranty. This product is only designed for indoor use and must be kept away from water and high humidity, along with high temperatures and direct sunlight.



This product is classed as Electrical or Electronic equipment and should not be disposed with other household or commercial waste at the end of its useful life. The goods must be disposed of according to your local council guidelines.

Hereby, AVSL Group Ltd. declares that the radio equipment type: 100.642UK complies with Directive 2014/53/EU

The full text of the EU declaration of conformity for 100.642UK is available at the following internet address:

<http://www.avsl.com/assets/exportdoc/1/0/100642UK%20CE.pdf>

Errors and omissions excepted.

Copyright© 2021 AVSL Group Ltd, Unit 2 Bridgewater Park,
Taylor Road, Trafford Park, Manchester. M41 7JQ.

www.avsl.com

AVSL (Europe) Ltd, Unit 3D North Point House,
North Point Bus. Park, New Mallow Road, Cork, Ireland.

100.642UK