



177DDPO18DDM

Countertop Electric Pizza Ovens

Base Models: _____

#177DDPO18DDM

177DDPO18SA

177DDPO18DSM

Warning:

Improper installation, adjustment, alteration, service, or maintenance can cause property damage, injury, or death. Read the installation, operating, and maintenance Instructions thoroughly before installing or servicing this equipment.

For Your Safety:

Do not store or use gasoline or other flammable vapors or liquids in the vicinity of this or any other appliance.

Note:

Please read and keep these instructions. Indoor use only.

Table of Contents

Exploded Parts Diagrams..... **3**

 #177DDPO18DDM **3**

 #177DDPO18SA **4**

 #177DDPO18DSM..... **5**

NOTE: Visit www.AvantcoEquipment.com for questions about warranty and replacement parts.

#177DDPO18DDM; 177DDPO18DSM



#177DDPO18SA



CONFORMS TO UL STD. 197
CONFORMS TO NSF/ANSI STD. 4

Exploded Parts Diagram

#177DDPO18DDM

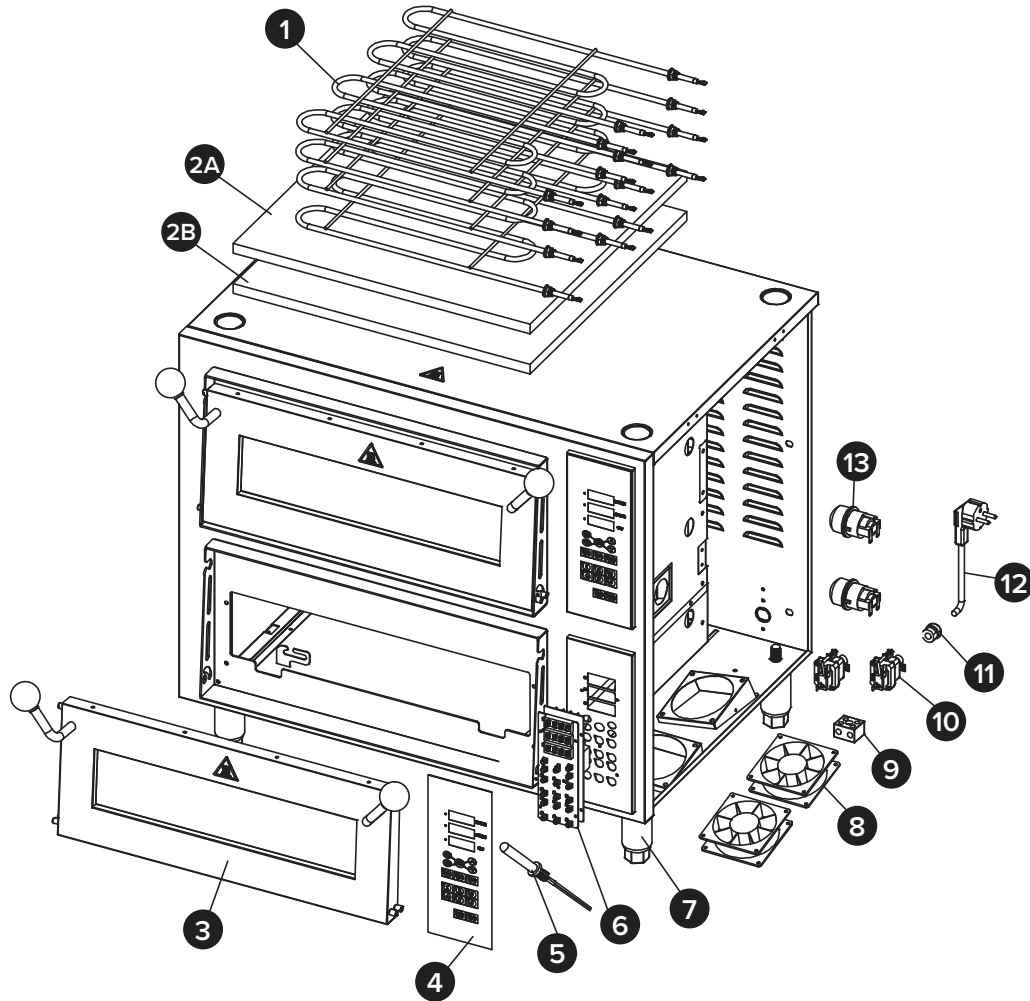


Diagram #	Item Number	Description
1	177DPO18DD1	Heating Element
2A	177DPO1816	Stone
2B	177DPO1817	Stone
3	177PDPOS15N	Door
4	---	Control Panel
5	177DDPO182	Thermocouple
6	177DDPO181	PCB Board

Diagram #	Item Number	Description
7	177DPO187	Leg
8	177DDPO18D1	Cooling Fan
9	177DPO185	Terminal Block
10	177DDPO183	Temp Limiter
11	---	Buckle
12	177DPO18DS2	Power Cord
13	177DPO18DS8	Internal Light

Exploded Parts Diagram

#177DDPO18SA

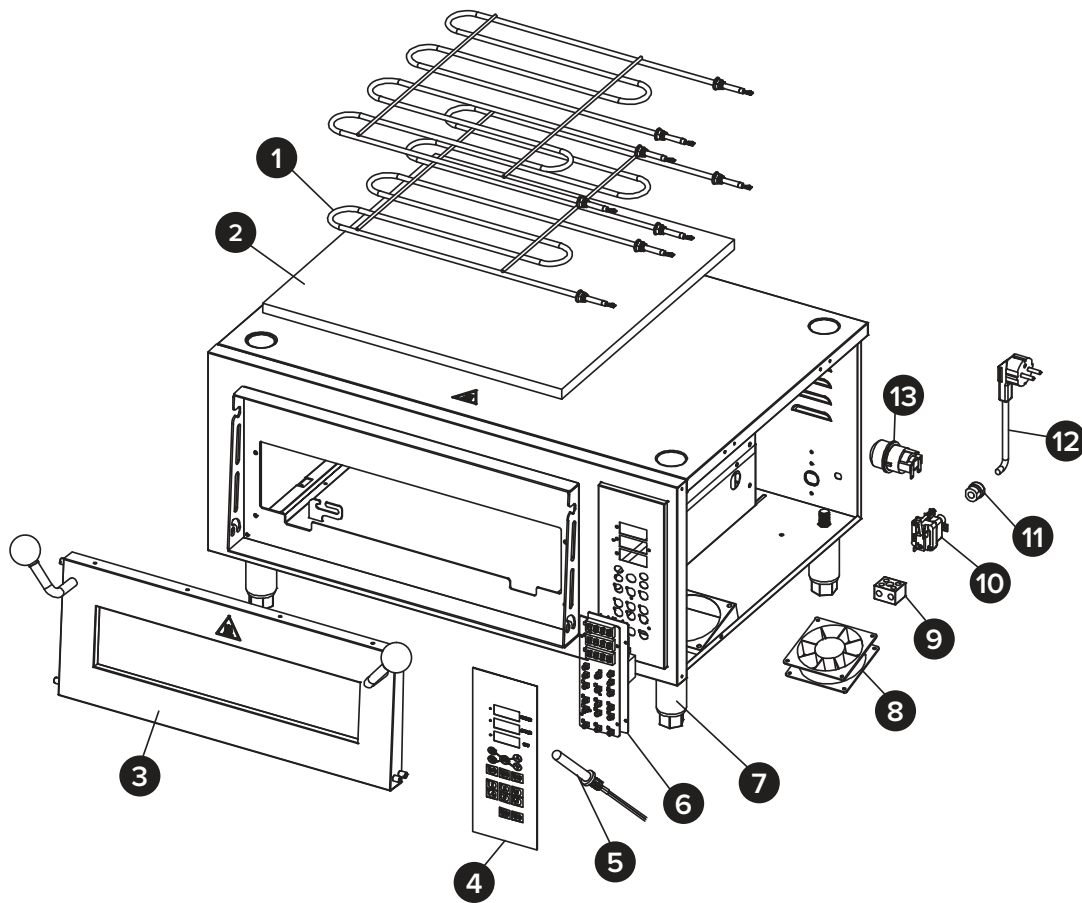


Diagram #	Item Number	Description
1	177DPO18S1	Heating Element
2	177DPO1816	Stone
	177DPO1817	Stone
3	177PDPOS15N	Door
4	---	Control Panel
5	177DDPO182	Thermocouple
6	177DDPO181	PCB Board

Diagram #	Item Number	Description
7	177DPO187	Leg
8	177DDPO18S1	Cooling Fan
9	177DPO185	Terminal Block
10	177DDPO183	Temp Limiter
11	---	Buckle
12	177DPO18S2	Power Cord
13	177DPO18S8	Internal Light

Exploded Parts Diagram

#177DDPO18DSM

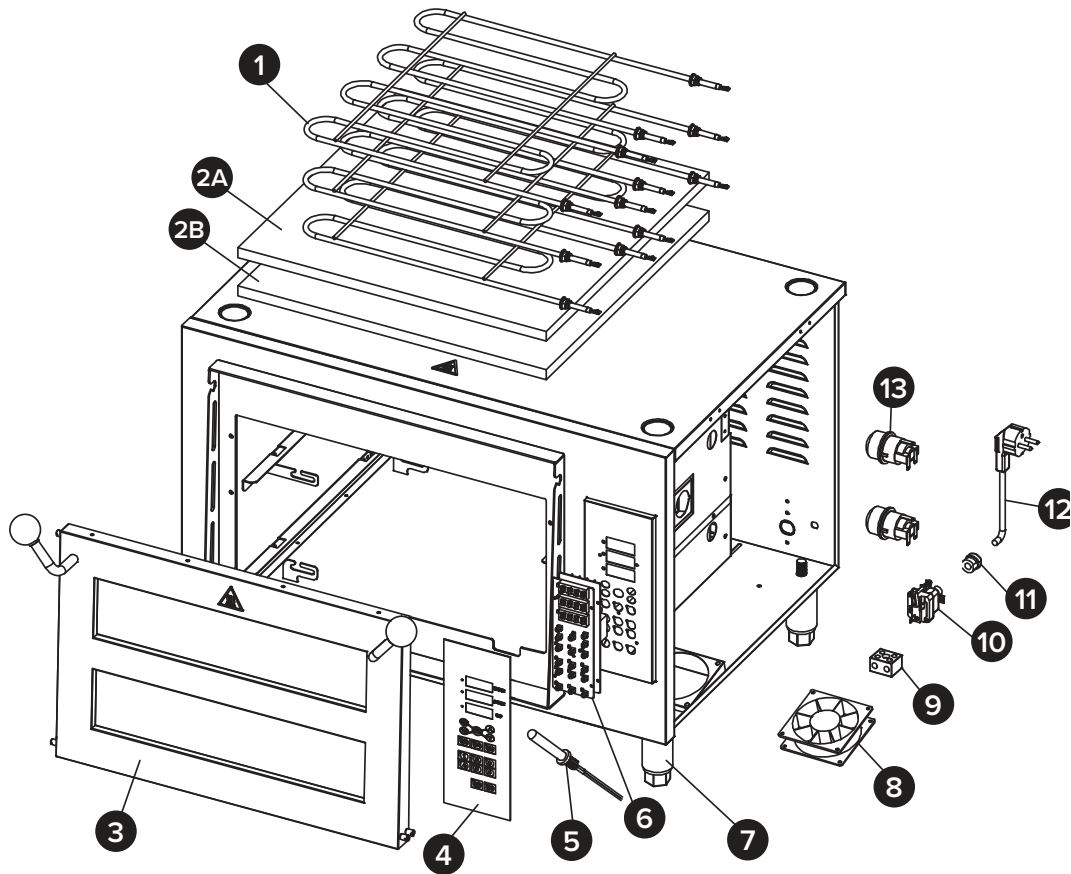


Diagram #	Item Number	Description
1	177DPO18DS1	Heating Element
2A	177DPO1816	Stone
2B	177DPO1817	Stone
3	177PDPODS15N	Door
4	---	Control Panel
5	177DDPO182	Thermocouple
6	177DDPO181	PCB Board

Diagram #	Item Number	Description
7	177DPO187	Leg
8	177DDPO18D1	Cooling Fan
9	177DPO185	Terminal Block
10	177DDPO183	Temp Limiter
11	---	Buckle
12	177DPO18DS2	Power Cord
13	177DPO18DS8	Internal Light