



User Manual

01/2024



Panini Grills

Base Models:

177PG100, 177PG100S,

177PG100GS, 177PG100T,

177PG100ST, 177PG100GST

177PG200, 177PG200S,

177PG200GS, 177PG200T,

177PG200ST, 177PG200GST

177PG400, 177PG400S,

177PG400GS, 177PG400T,

177PG400ST, 177PG400GST

Warning:

Improper installation, adjustment, alteration, service, or maintenance can cause property damage, injury, or death. Read the installation, operating, and maintenance Instructions thoroughly before installing or servicing this equipment.

For Your Safety:

Do not store or use gasoline or other flammable vapors or liquids in the vicinity of this or any other appliance.

Note:

Please read and keep these instructions. Indoor use only.

Table of Contents

Safety Precautions	3
Features.....	3
Specifications	4
First Time Usage	4
Operation	4
Timer Instructions.....	5
Cleaning & Maintenance	5
Daily Check	5
Exploded Parts Diagrams.....	6-7
Wiring Diagrams	8-10



5002546 5002546

CONFORMS TO NSF/ANSI STD. 4
CONFORMS TO UL STD. UL-197

Notes

1. This product is intended for commercial use only.
2. Do not disassemble or modify the machine.
3. Lift the upper grill assembly smoothly; jerking it up may cause damage or injury.
4. Before cleaning, disconnect power and allow machine to cool.
5. Do not immerse in water or spray water onto the grills. Water may cause short circuit and injury or damage.
6. To avoid damage, do not jam materials onto the grill or place heavy objects there.
7. When the machine is in use, the body and grill plates are hot, and will cause burns if touched.
8. Do not use an ungrounded power supply cord.
9. This panini grill is not intended for use by children or individuals with impaired mental and/or motor skills. Individuals who lack experience operating a panini grill should be supervised during use.

Safety Precautions

18 (r p)0 (v)-16.1 (i)-6.4-7.

Specifications

Item Number	Width	Depth	Height	Cooking Surface Width	Cooking Surface Depth	Amps	Hertz	Voltage	Wattage	Size		

Timer Instructions

Note: The timer does not turn off the grills. The timer will beep continuously until the “reset” button is hit. The grills will continue to heat.

1. To program the timer of your panini grill, plug in and turn on the grill. Set the time using the up and down arrow buttons. To move through the time with fast scroll, hold down the up or down arrow for 3 seconds. The timer will beep twice. The timer can be set for up to 15 minutes.
2. After setting your time, hit the "start/stop" button to begin the timer. To pause the timer, hit the “start/stop” button.
3. When the timer beeps, hit the "reset" button to turn it off.
4. Hitting the "reset" button will return the set time to the last inputted time. To change set time, use the up/down arrows again to adjust.

Note: When ending the timer, this will also reset the time.

Cleaning and Maintenance

1. Disconnect machine before cleaning and allow to cool.
2. Use only a damp towel with non-corrosive cleaner. Do not immerse or flush with water.

Parts Key Single Grill

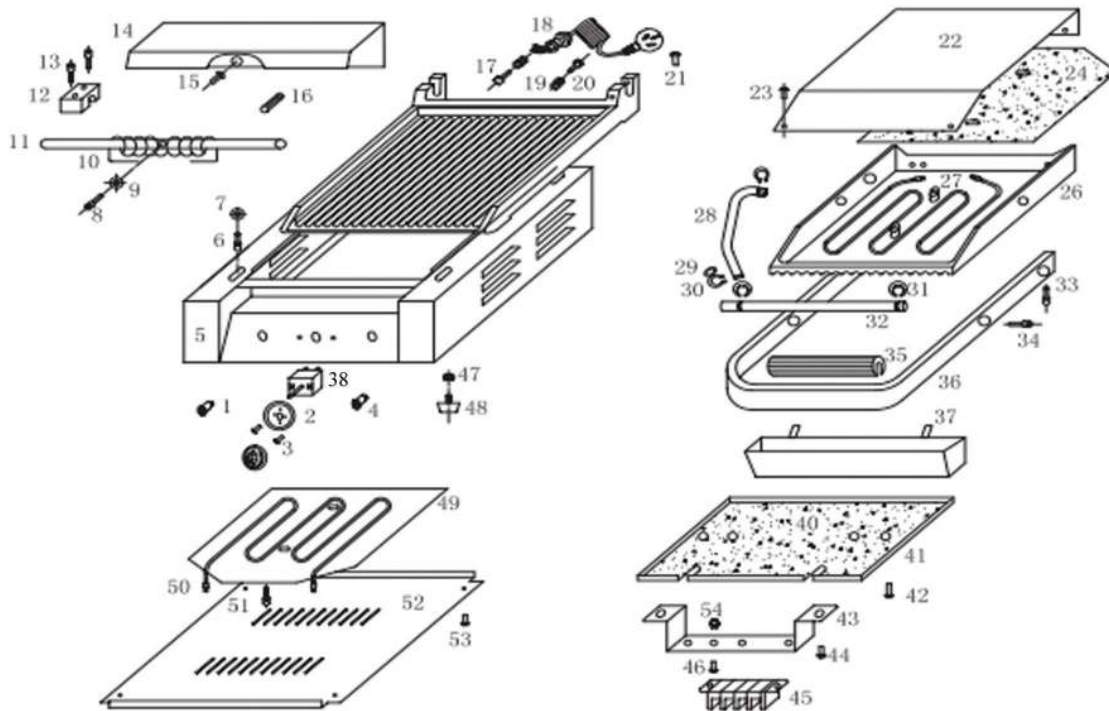


Diagram # and Part Name	
1.	Green "Power" Light
2.	Temperature Control Knob
3.	Screw M4x6
4.	Orange "Hot" Light
5.	Lower Case
6.	Internal Wrenching Screw M6x10
7.	Flat Washer
8.	Internal Wrenching Screw M5x25
9.	Flat Spacer
10.	Spring
11.	Rear Shaft
12.	Shaft Retainer
13.	Internal Wrenching Screw M6x40
14.	Rear Upper Cover
15.	Slotted Screw M4x8
16.	Spring Pin
17.	Ground Screw M6x15
18.	Power Cord
19.	
20.	
21.	
22.	
23.	
24.	
25.	
26.	
27.	
28.	
29.	
30.	
31.	
32.	
33.	
34.	
35.	
36.	
37.	
38.	
39.	
40.	
41.	
42.	
43.	
44.	
45.	
46.	
47.	
48.	
49.	
50.	
51.	
52.	
53.	
54.	

Parts Key Double Grill

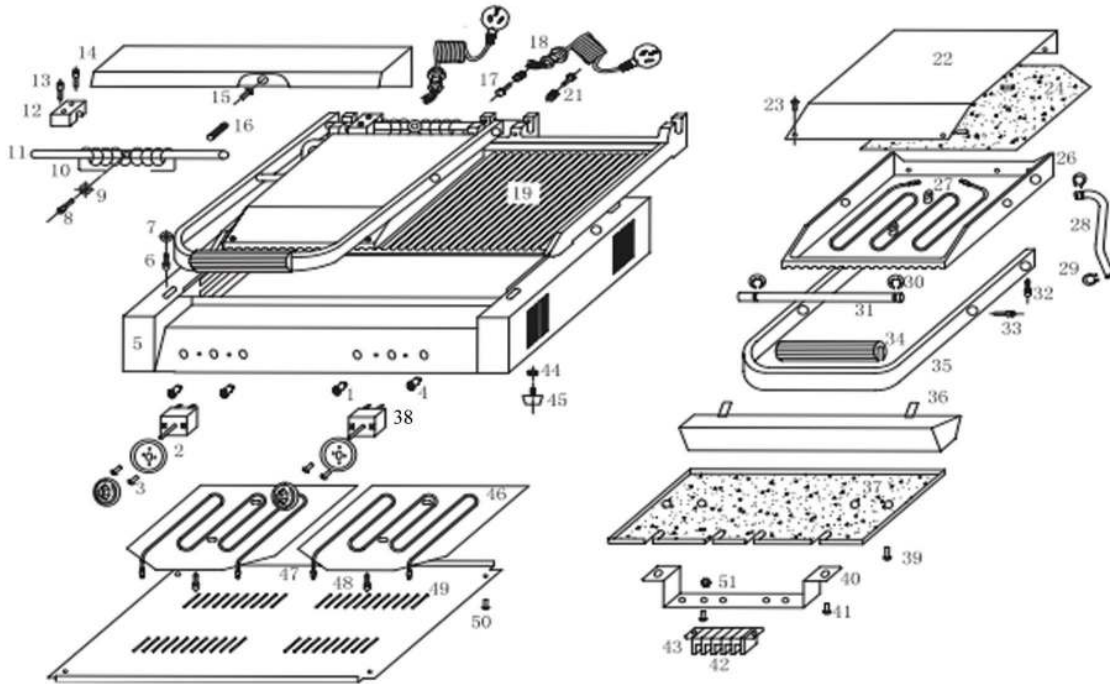
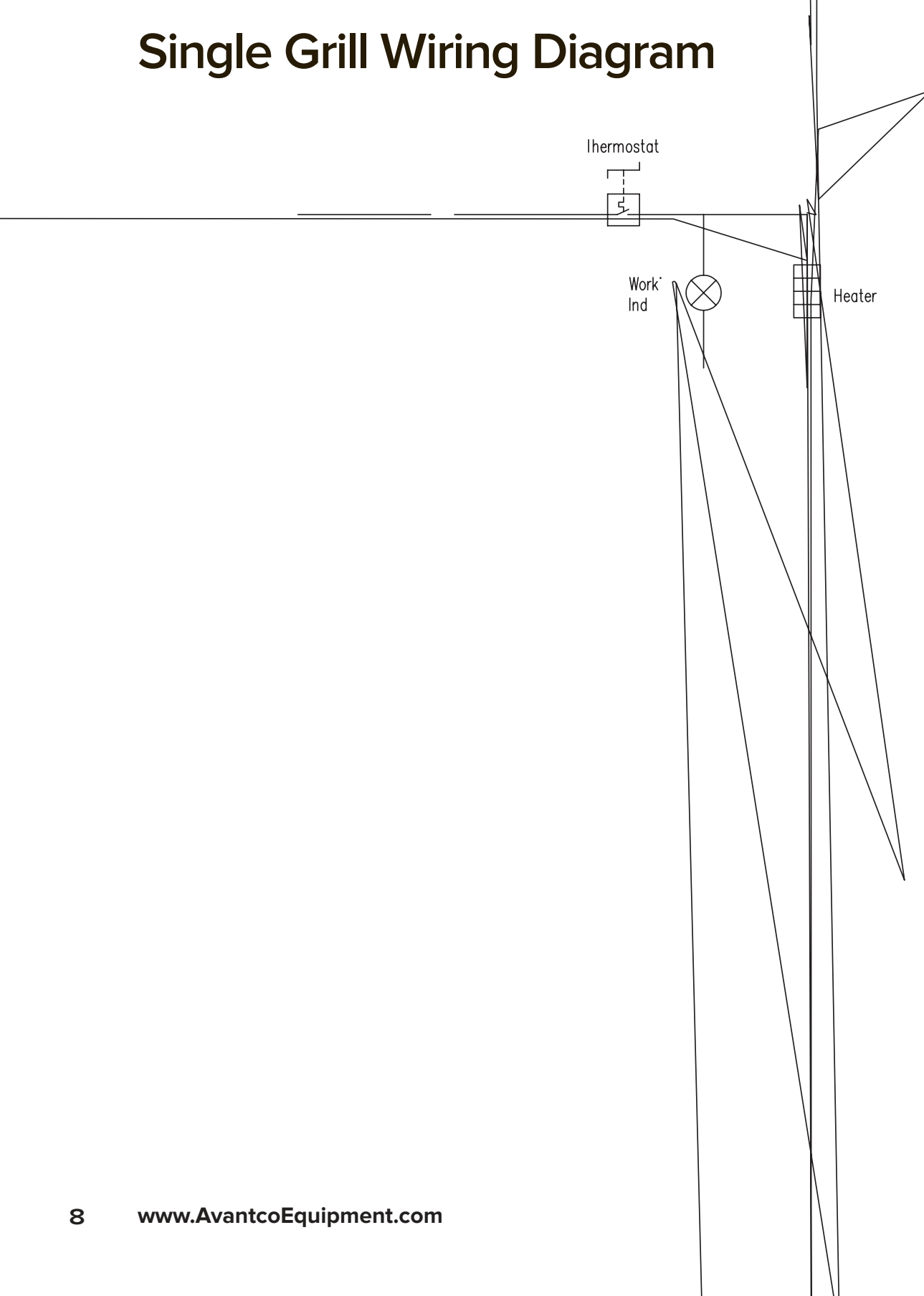


Diagram # and Part Name	
1.	Green "Power" Light
2.	Temperature Control Knob
3.	Screw M4x6
4.	Orange "Hot" Light
5.	Lower Case
6.	Internal Wrenching Screw M6x10
7.	Flat Washer
8.	Internal Wrenching Screw M5x25
9.	Flat Spacer
10.	Spring
11.	Rear Shaft
12.	Shaft Retainer
13.	Internal Wrenching Screw M6x40
14.	Rear Upper Cover
15.	Slotted Screw M4x8
16.	Spring Pin
17.	Ground Screw M6x15
18.	Power Cord

Single Grill Wiring Diagram





User Manual

Panini Grills

Double Grill Wiring Diagram

Double Grill Wiring Diagram

AC 120V / 1.75k W