

# Avigilon 10GbE Kit Installation Guide

## Installation Guide

NVR6-AINVR2-FORM-D-10GBE

## For

NVR6 Standard Form D  
NVR6 Premium Form D  
AI NVR 2 Standard Form D  
AI NVR 2 Premium Form D

# Copyright

© 2024, Avigilon Corporation. All rights reserved. AVIGILON, the AVIGILON logo, AVIGILON CONTROL CENTER, and ACC are trademarks of Avigilon Corporation. Microsoft and Windows are trademarks of the Microsoft group of companies. Dell is a trademark of Dell Inc. Other names or logos mentioned herein may be the trademarks of their respective owners. The absence of the symbols ™ and ® in proximity to each trademark in this document or at all is not a disclaimer of ownership of the related trademark.

This document has been compiled and published using product descriptions and specifications available at the time of publication. The contents of this document and the specifications of the products discussed herein are subject to change without notice. Avigilon Corporation reserves the right to make any such changes without notice. Neither Avigilon Corporation nor any of its affiliated companies: (1) guarantees the completeness or accuracy of the information contained in this document; or (2) is responsible for your use of, or reliance on, the information. Avigilon Corporation shall not be responsible for any losses or damages (including consequential damages) caused by reliance on the information presented herein.

Avigilon Corporation  
avigilon.com

Revision: 1 - EN

20240715

# Contents

- Introduction ..... 4
- Confirm Package Contents ..... 5
- Recommended Tools ..... 6
- Installing the NIC ..... 7
- Opening the Cover ..... 8
- Locating the Slot ..... 9
- Installing the NIC in Slot 2 ..... 10
- Installing the NIC in Slot 5 ..... 11
  - Removing the Expansion Card Riser ..... 11
  - Installing the NIC into the Expansion Card Riser ..... 12
  - Installing the Expansion Card Riser ..... 13
- Reattaching the Cover ..... 15
- Confirming the Installation ..... 16
- For More Information ..... 17

# Introduction

Avigilon provides an optional 10GbE Upgrade Kit for the NVR6 and AI NVR 2 Standard Form D and Premium Form D. This kit provides you with high-speed Ethernet ports for faster connections to your security network of ACC Servers and Clients.

Part Number	Description
NVR6-AINVR2-FORM-D-10GBE	NVR 10GbE Upgrade Kit

# Confirm Package Contents

Confirm that the kit you are installing contains the following components:

- 1 × 2-port 10GbE PCIe card

# Recommended Tools

The following tools are not included in the kit package, but are needed to complete the installation:

- Phillips #2 screwdriver
- Torx #T30 screwdriver
- Wrist-grounding strap connected to the ground
- ESD Mat



## **IMPORTANT**

It is recommended that you always use an antistatic mat and antistatic strap while working on components inside the system.

# Installing the NIC



## NOTE

If the NVR is an operating part of your security system, be aware that it must be shut down to complete this procedure.

Before installing the NIC:

1. Turn off the NVR, including all attached peripherals. Press the power button on the front panel, and wait for the light to stop blinking to indicate shutdown is complete.



## CAUTION

Opening or removing the system cover while the system is powered on may expose you to a risk of electric shock.

2. Disconnect the NVR from the electrical outlet.
3. Remove all network, power and peripheral cables from the NVR.
4. If applicable, remove the NVR from the rack.



## IMPORTANT

Whenever you need to lift the system, get others to assist you. To avoid injury, do not attempt to lift the system by yourself.

# Opening the Cover

1. At the top of the NVR, unlock the latch release then lift and rotate the latch towards the back of the unit. The cover slides back and is released from the body.



## TIP

Use a Phillips #2 screwdriver to remove the shipping screws before unlatching the cover if you are removing the cover of an NVR for the first time.



2. Remove the air shroud by holding it at both ends and lifting it away from the system.



# Locating the Slot

Based on the model of your NVR, identify the correct slot to install the NIC in:

- NVR6 Standard - PCIe Slot 2
- NVR6 Premium - PCIe Slot 5
- AI NVR 2 Standard - PCIe Slot 2
- AI NVR 2 Premium - PCIe Slot 5

Follow the instructions in the respective sections below for your model.

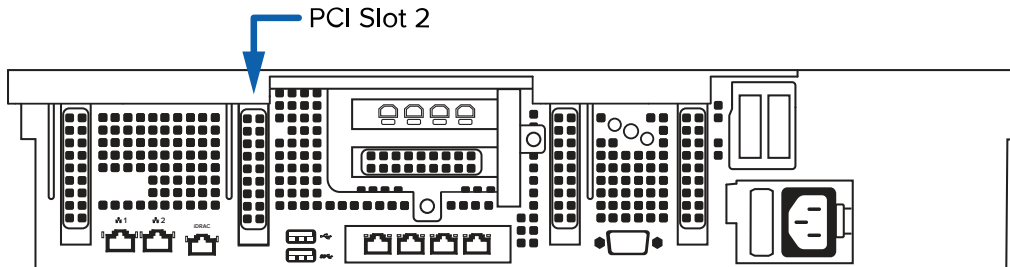
# Installing the NIC in Slot 2

Follow the instructions in this section to install the NIC in slot 2 for the following NVR models:

- NVR6 Standard
- AI NVR 2 Standard

With the NVR open:

1. Locate PCIe slot 2 on the system board.



2. Insert the NIC into the slot. Press until firmly seated.

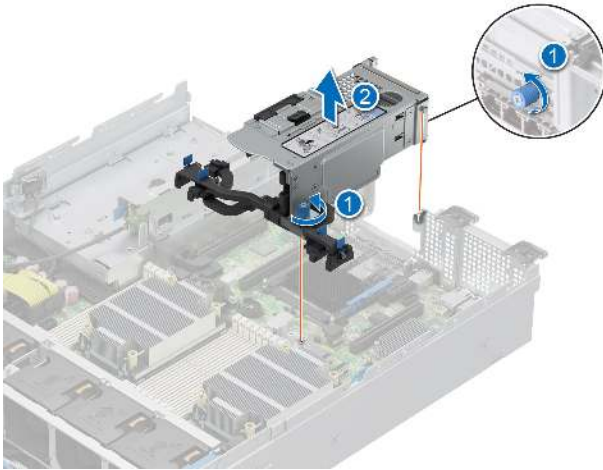
# Installing the NIC in Slot 5

Follow the instructions in this section to install the NIC in slot 5 on expansion card riser 2 for NVR6 Premium and AI NVR 2 Premium Form D.

## Removing the Expansion Card Riser

With the NVR open:

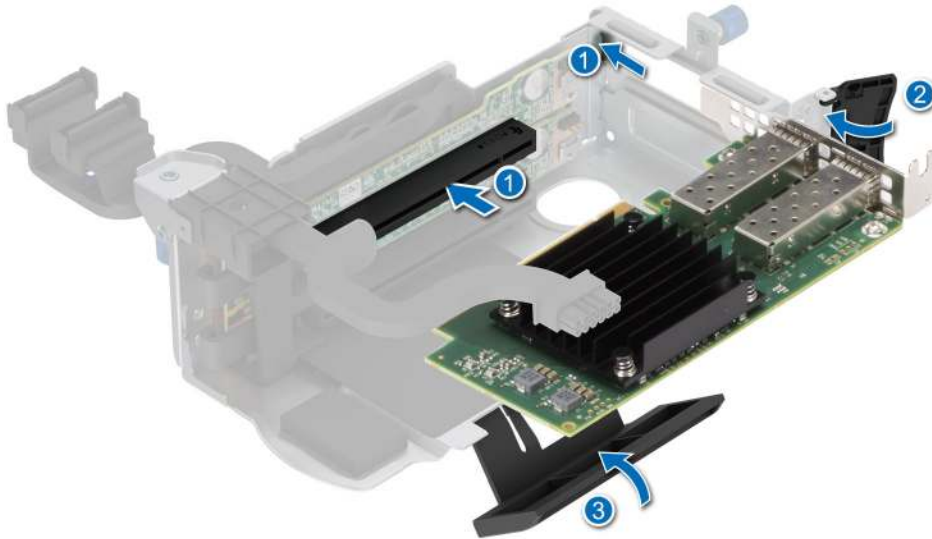
1. Disconnect all the riser cables from the system board.
2. For the appropriate expansion card riser, loosen the two thumb screws with a Phillips #2 screwdriver.



3. Remove the expansion card riser.

## Installing the NIC into the Expansion Card Riser

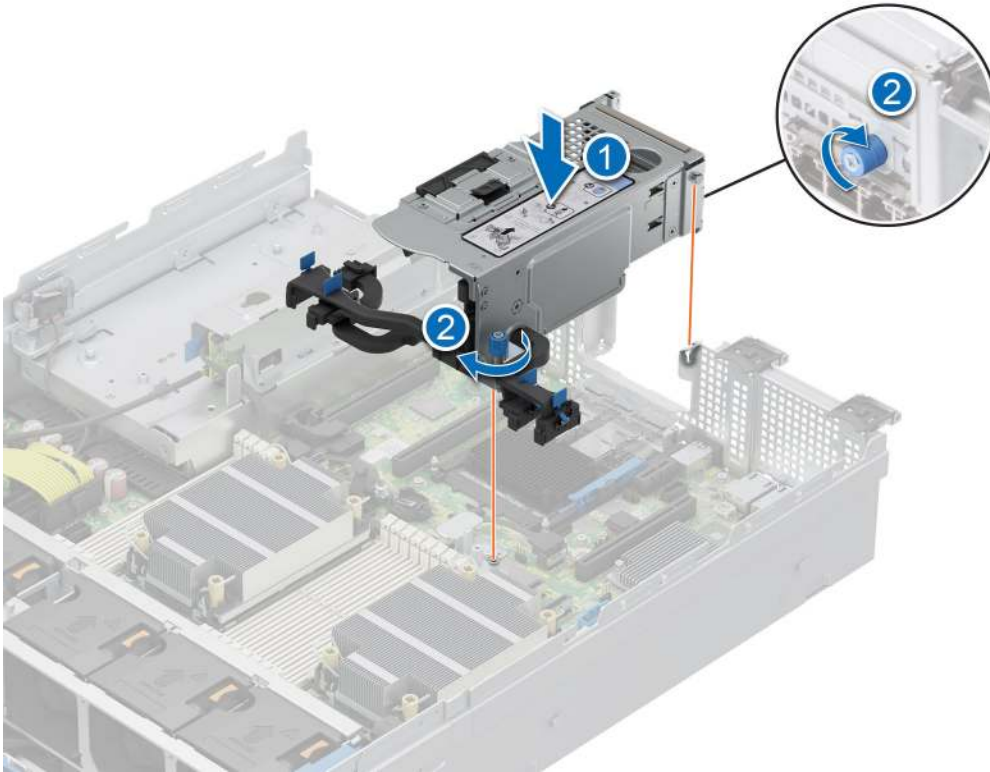
1. Unpack the NIC.
2. To open the expansion card riser, pull the expansion card retention latch.
3. Insert the NIC into the slot of the expansion card riser. Press firmly until fully seated.

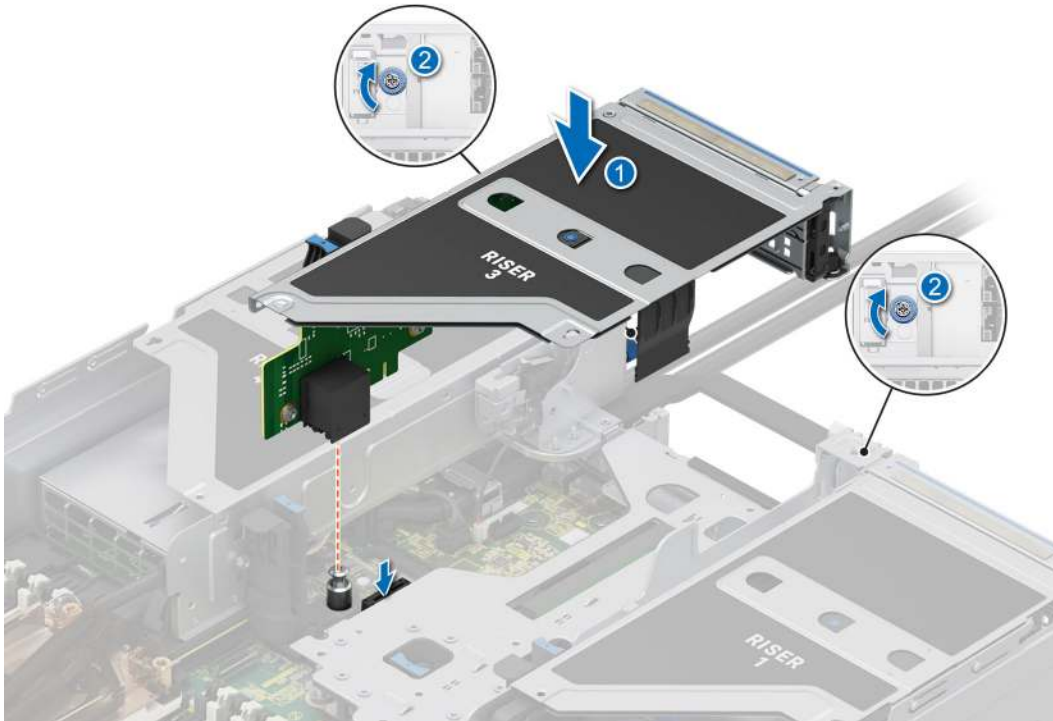
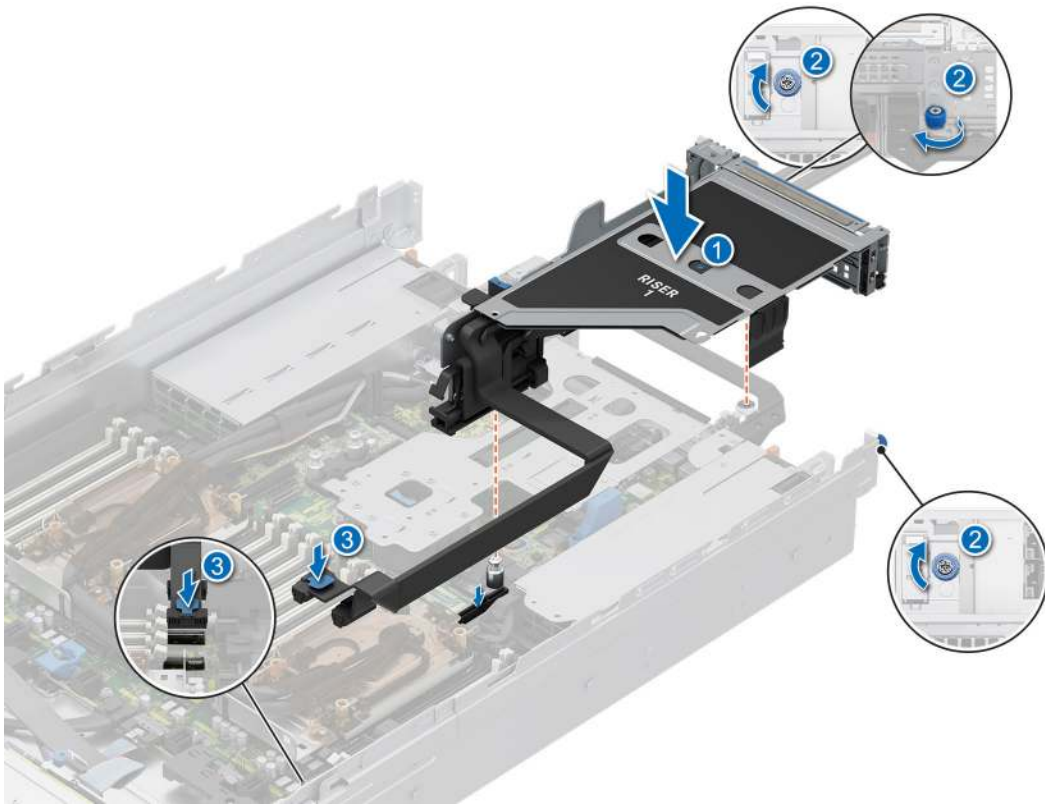


4. Rotate and close the card holder and side card holder.
5. Push the side holder and make sure the latch hooks holds the riser cover.

## Installing the Expansion Card Riser

1. Reconnect all the riser cables to the system board.
2. Insert the expansion card riser into the system board and fasten the expansion card riser thumb screws.









# Reattaching the Cover

When all the components of the kit have been installed:

1. Ensure all expansion card latches are closed and there are filler covers for all empty slots.
2. Reinstall the air shroud.
3. Close and lock the NVR access panel.
4. If the NVR was rack mounted and removed to install the kit, remount it into the rack.
5. Reconnect all the peripherals and cables.
6. Power on the NVR.

# Confirming the Installation

From an ACC Client running on a workstation with a network connection to the ACC site associated with the NVR:

1. Log in to ACC site.
2. Click  in the menu bar and scroll down and click **Site Setup**.
3. In the Search panel, click  to expand the site containing the NVR in which the 10GbE card is installed.
4. Navigate to (or search for) the upgraded NVR and click  .
5. Verify that the NVR has one additional 10GbE adapter with two ports available:
  - a. In the System Explorer, select the upgraded NVR server.
  - b. In the New Task menu , click **Site Health**.
  - c. Under the Network Adapters heading, there should be two new ports installed in the respective slot (slot 2 or 6, depending on your model). These new ports should have a Link Speed of 10Gbps.

## Limited Warranty

Avigilon warranty terms for this product are provided at [avigilon.com/warranty](http://avigilon.com/warranty).

## For More Information

For additional product documentation and software and firmware upgrades, visit [support.avigilon.com](https://support.avigilon.com).

## Technical Support

Contact Avigilon Technical Support at [support.avigilon.com/s/contactsupport](https://support.avigilon.com/s/contactsupport).