



## 4K HDMI Matrix 4x4

Item ref: 128.850UK

User Manual

A 4K HDMI matrix to switch between 4 source devices and 4 display outputs. Use with HDMI cables of a combined 30m per input/output for 4K@30Hz and FHD resolutions, or a combined 10m per input/output for 4K@ 60Hz. SPDIF and 3.5mm stereo outputs allow the audio signal from HDMI output #1 to be simultaneously channeled through a separate sound system and/or headphones. Robust metal chassis incorporates an EDID switch panel for specific video and sound requirements and an RS232 port for serial data communication with a connected PC or laptop. Compatible with the latest 4K digital TV boxes making it ideal for hospitality and entertainment venues and supplied with IR remote to switch between sources for all outputs.

### Technical specifications:

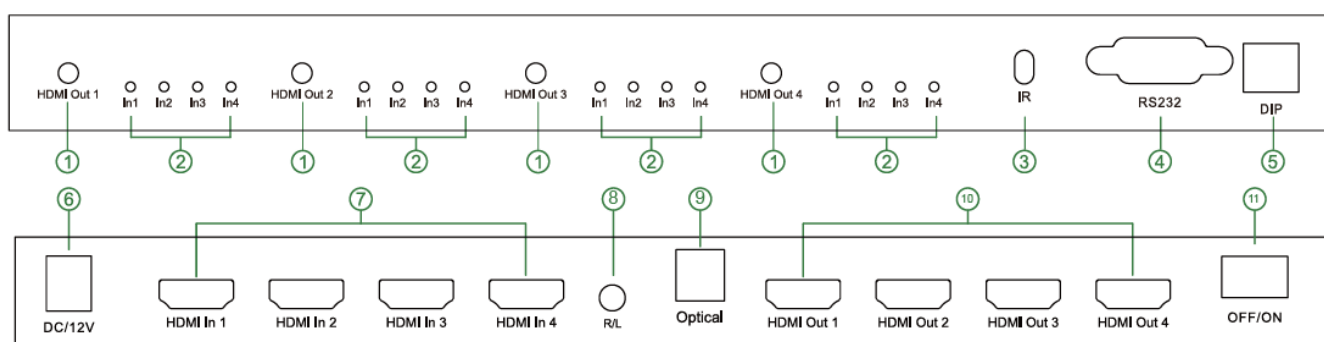
<b>Video resolution</b>	Up to 3840 x 2160 @ 60Hz
<b>Display colours</b>	8/10/12bit deep colour
<b>HDCP version</b>	2.2
<b>Audio format</b>	DTS-HD/Dolby-trueHD/LPCM7.1/DTS/Dolby-AC3/DSD
<b>Input connections</b>	4x HDMI
<b>Output connections</b>	4x HDMI, Optical (Toslink), 3.5mm Stereo
<b>Max. baud rate</b>	18Gbps
<b>Transmission distance</b>	30m max 4K @ 30Hz and FHD or 10m max 4K @ 60Hz
<b>Max. working current</b>	800mA
<b>Operating temp range</b>	-15°C to +55°C
<b>Power adaptor</b>	Input: AC (50Hz, 60Hz) 100-240V, Output: DC12V/1A
<b>Dimensions</b>	276x143x26mm
<b>Weight</b>	720g

### Application diagram:



### Connection instructions:

- Connect the outputs of up to 4 source devices to the inputs of the matrix (7). Use HDMI cables of up to 15m per device for 4K@30Hz or FHD signals or 5m per device for 4K@60Hz signals (**NOTE:** to maintain 4K resolution, always use 4K certified cables).
- Connect the outputs of the matrix (10) to the inputs of up to 4 display devices. Use HDMI cables of up to 15m per output for 4K@30Hz or FHD signals or 5m per output for 4K@60Hz signals.
- Connect the 12V power adaptor (supplied) to the matrix (6); plug into a mains outlet and power on.
- Use HDMI output selection buttons (1) on the front of the unit or the IR remote control (supplied) to switch between source devices for both output displays. The current selected output will be displayed on the relevant LED indicators (2).
- To channel the audio from HDMI output 1 to separate sound systems, amplifiers or headphones use the digital SPDIF (9) or analogue 3.5mm jacks (8) on the back of the unit (additional cables required, not supplied).
- To select the required resolution and audio settings please use the EDID dip switches (5). The relevant settings are listed in the EDID management settings table below.



1. HDMI output selection 1-4
2. LED indicators for each output selection
3. IR remote sensor
4. RS232 port
5. EDID dip switches
6. DC/12V power in
7. HDMI inputs 1-4
8. 3.5mm stereo output (for HDMI output #1 only)
9. Optical output (for HDMI output #1 only)
10. HDMI outputs 1-4
11. Power switch

### EDID management settings:

Position 1	Position 2	Position 3	Position 4	Function
0	0	0	0	Copy EDID from Output1
0	0	0	1	3D 4K 60HZ 7.1CH
0	0	1	0	3D 4K 30HZ 2CH
0	0	1	1	3D 4K 30HZ 7.1CH
0	1	0	0	2D 1080P stereo 2CH
0	1	0	1	2D 1080P 7.1 CH
0	1	1	0	3D 1080P stereo 2CH
0	1	1	1	2D 1080P DVI

**NOTE:** EDID switch upward = 0,  
EDID switch downwards =1

### In the box:

1. HDMI Matrix 4x2
2. IR Remote Control
3. 12V DC Power Adaptor
4. User Manual

**Warning:**

- For reasons of electrical safety, this device must never be immersed in water, exposed to damp conditions or excessive force.
- Do not use this device if you find that it is damaged in any way.
- Only use the power supply provided by the manufacturer.
- When not in use for long periods, disconnect the power supply from the mains.
- Do not attempt to repair this device or take apart under any circumstances, as this will invalidate your warranty.



This product is classed as Electrical or Electronic equipment and should not be disposed with other household or commercial waste at the end of its useful life. The goods must be disposed of according to your local council guidelines.

**Errors and omissions excepted.**

Copyright© 2023 AVSL Group Ltd, Unit 2 Bridgewater Park,  
Taylor Road, Trafford Park, Manchester. M41 7JQ.

AVSL (Europe) Ltd, Unit 3D North Point House,  
North Point Bus. Park, New Mallow Road, Cork, Ireland.