

BATAVIA

# MAXXSERIES

**12 V Cordless water pump – barrel pump**

12 V Akku-Wasserpumpe – Regenwassertankpumpe

Pompe à eau sans fil 12 V – pompe à cylindre

12 V Accu waterpomp – regentonpomp

Pompa dell'acqua / Pompa per fusti senza fili da 12 V

Bomba de agua inalámbrica de 12 V | Bomba de barril

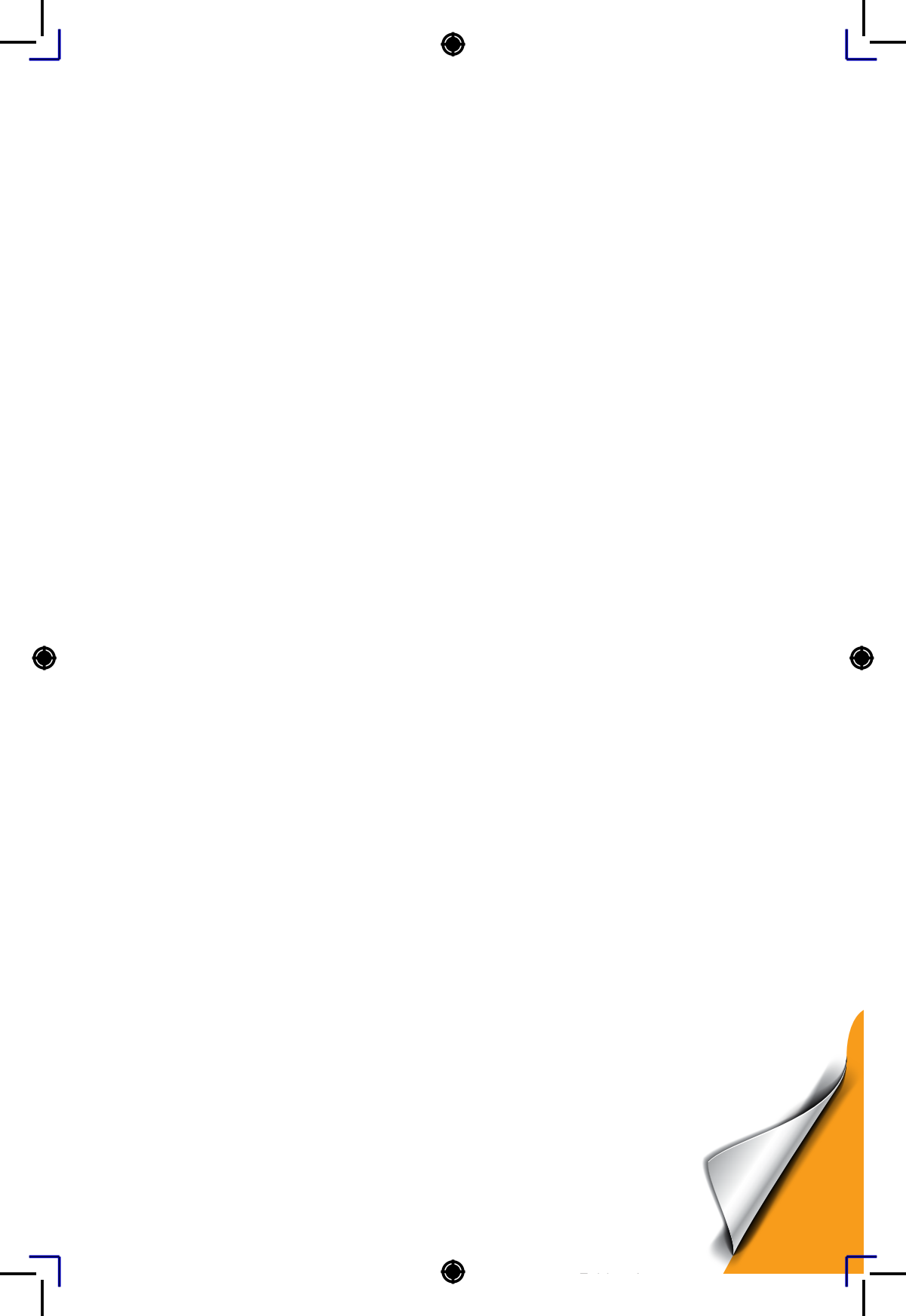
Bomba de águas sem fios 12 V – bomba de cano

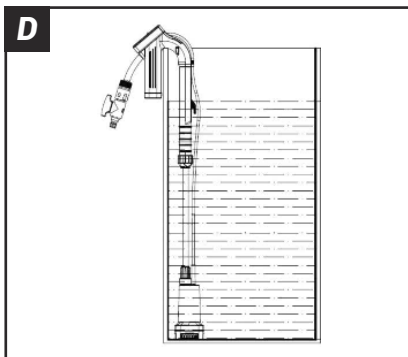
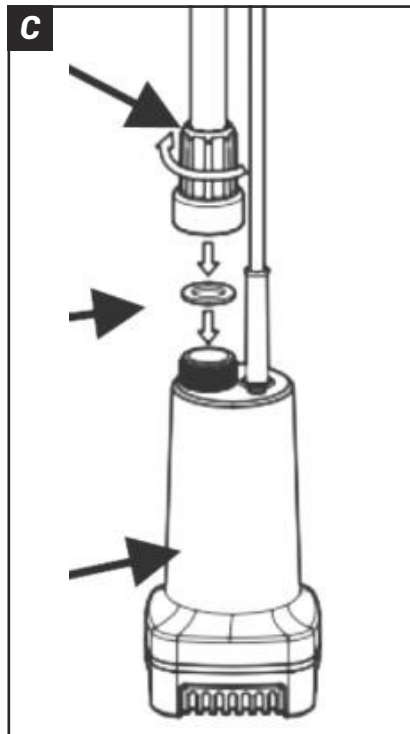
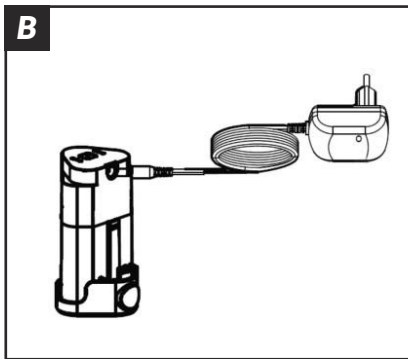
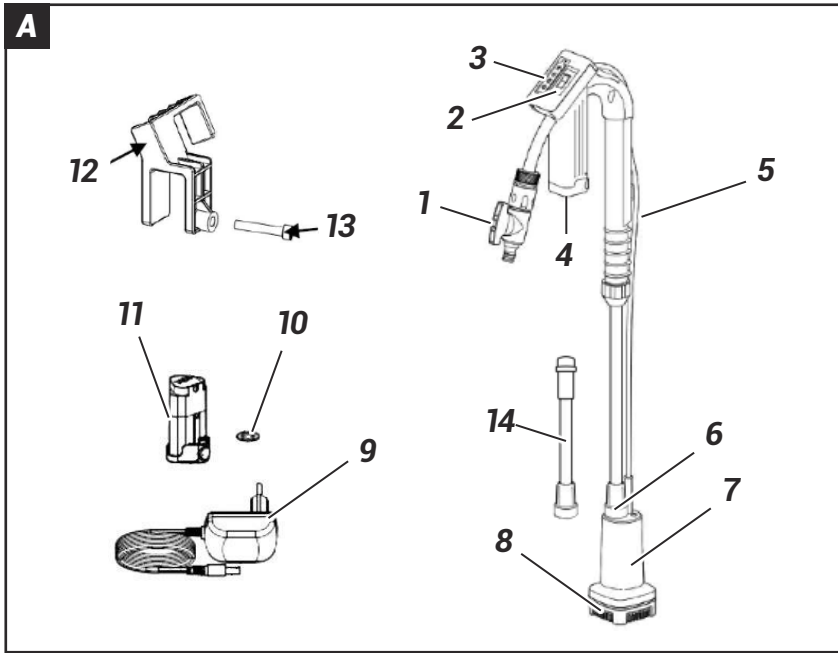
Bezprzewodowa pompa 12 V do wody – pompa do beczki

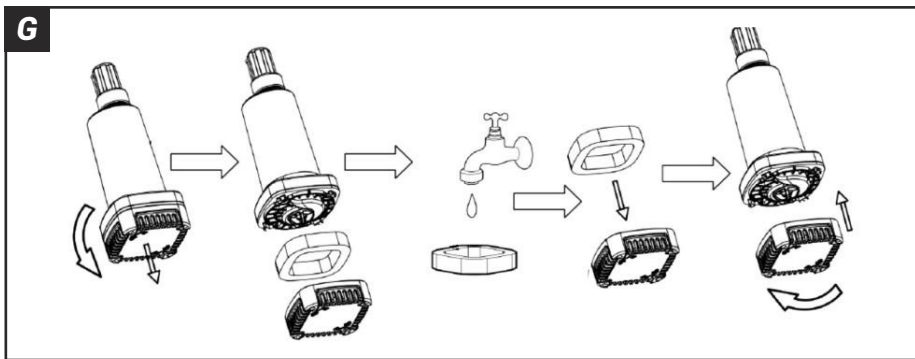
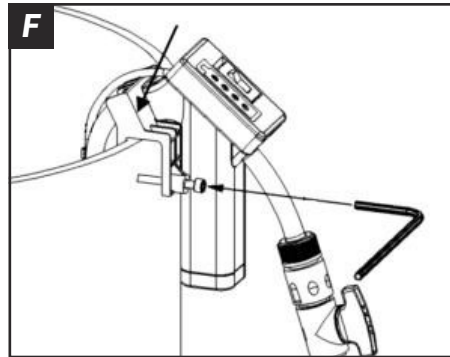
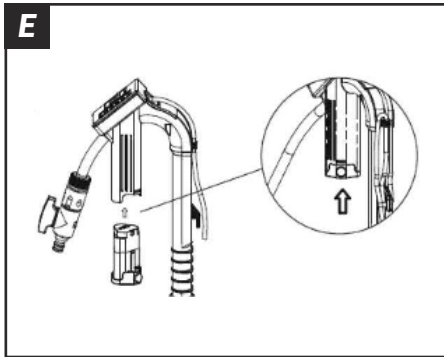


Operating instructions  
Bedienungsanleitung (Original)  
Mode d'emploi  
Gebruiksaanwijzing  
Istruzioni di Funzionamento  
Manual de usuario  
Instruções de funcionamento  
Instrukcja

Model: BT-RBP001  
Item-No.: 7063549  
[www.batavia.eu](http://www.batavia.eu)







## Overview

1. Shut-off valve
2. ON/OFF switch
3. Battery charge indicator (LEDs)
4. Battery compartment
5. Cord
6. Nut
7. Pump housing
8. Filter cover / suction opening
9. Battery charger
10. Sealing washer
11. Battery
12. Clamp
13. Tightening screw
14. Extension tube

## Übersicht

1. Absperrhahn
2. EIN/AUS-Schalter
3. Batteriezustandsanzeige (LEDs)
4. Batteriefach
5. Kabel
6. Schraubverschluss
7. Pumpengehäuse
8. Filterabdeckung / Ansaugöffnung
9. Ladegerät
10. Dichtung
11. Akku
12. Klammer
13. Befestigungsschraube
14. Verlängerungsrohr

## Aperçu

1. Vanne d'arrêt
2. Interrupteur marche / arrêt
3. Indicateur de charge de la batterie (DEL)
4. Compartiment à piles
5. Corde
6. Écrou
7. Boîtier de pompe
8. Couvercle du filtre / ouverture d'aspiration
9. Chargeur de batterie
10. Joint d'étanchéité
11. Batterie
12. Serre-joint
13. Vis de serrage
14. Tube d'extension

## Overzicht

1. Afsluitklep
2. Aan / uit schakelaar
3. Accu indicator (LED's)
4. Accucompartiment
5. Kabel
6. Moer
7. Pomp behuizing
8. Filter bescherming / aanzuigopening
9. Accu oplader
10. Afdichtingsring
11. Accu
12. Klem
13. Spanschroef
14. Verlengbuis

## Panoramica

1. Valvola di intercettazione
2. Interruttore accensione/spegnimento
3. Indicatore di carica della batteria (LED)
4. Vano batteria
5. Cavo
6. Dado
7. Corpo della pompa
8. Coperchio del filtro / apertura di aspirazione
9. Caricabatterie
10. Rondella di tenuta
11. Batteria
12. Pinza
13. Vite di serraggio
14. Tubo di estensione

## Resumen

1. Válvula de cierre
2. Interruptor de encendido/apagado
3. Indicador del nivel de carga de la batería (ledes)
4. Compartimiento de la batería
5. Cable
6. Tuerca
7. Carcasa de la bomba
8. Tapa del filtro/abertura de succión
9. Cargador de baterías
10. Arandela de sellado
11. Batería
12. Mecanismo de sujeción
13. Tornillo de fijación
14. Tubo de extensión

---

## Visão geral

1. Válvula de corte
2. Interruptor de LIGAR/DESLIGAR
3. Indicador de carga da bateria (LED)
4. Compartimento da pilha
5. Cabo
6. Porca
7. Armação da bomba
8. Tapa do filtro/abertura de sucção
9. Carregador da bateria
10. Anilha vedante
11. Bateria
12. Grampo
13. Parafuso de aperto
14. Tubo de extensão

## Przeгляд

1. Zawór odcinający
2. Włącznik/wyłącznik
3. Wskaźnik stopnia naładowania akumulatora (diodowy)
4. Komora akumulatora
5. Przewód
6. Nakrętka
7. Obudowa pompy
8. Pokrywa filtra / otwór zasysający
9. Ładowarka
10. Podkładka uszczelniająca
11. Akumulator
12. Zacisk
13. Śruba mocująca
14. Rura przedłużająca

## Contents

1. Explanation of the symbols . . . . .	7
2. General safety instructions for power tools . . . . .	7
3. Additional safety warnings . . . . .	8
4. Safety notes for the battery, the power supply and the charger . . . . .	9
5. Before first use . . . . .	9
6. Contents of packing . . . . .	9
7. Intended use . . . . .	10
8. Charging the battery . . . . .	10
9. Assembly . . . . .	10
10. Operation . . . . .	10
11. Using the clamp . . . . .	11
12. Battery capacity indicator . . . . .	11
13. Maintenance, cleaning, storing and transport . . . . .	11
14. Technical data. . . . .	11
15. Disposal . . . . .	11
16. EC-Declaration of conformity . . . . .	12

## Inhaltsverzeichnis

1. Erläuterung der Symbole . . . . .	13
2. Allgemeine Sicherheitshinweise für Elektrowerkzeuge. . . . .	13
3. Zusätzliche Sicherheitshinweise . . . . .	14
4. Sicherheitshinweise zum Akku, zum Netzteil und zum Ladegerät. . . . .	15
5. Vor der ersten Benutzung . . . . .	16
6. Verpackungsinhalt . . . . .	16
7. Bestimmungsgemäßer Gebrauch . . . . .	16
8. Aufladen des Akkus . . . . .	16
9. Zusammenbau . . . . .	16
10. Benutzung . . . . .	17
11. Benutzung der Klammer. . . . .	17
12. Batteriezustandsanzeige . . . . .	17
13. Wartung, Reinigung, Lagerung und Transport . . . . .	17
14. Technische Daten. . . . .	18
15. Entsorgung . . . . .	18
16. EG-Konformitätserklärung . . . . .	18

## Table des matières

1. Explication des symboles . . . . .	19
2. Consignes générales de sécurité pour appareils électriques . . . . .	19
3. Consignes de sécurité . . . . .	21
4. Précautions pour la batterie, l'alimentation et le chargeur. . . . .	21
5. Avant la première utilisation. . . . .	22
6. Contenu de la livraison . . . . .	22
7. Utilisation . . . . .	22
8. Chargement de la pile . . . . .	23
9. Assemblage . . . . .	23
10. Fonctionnement . . . . .	23
11. Utilisation du serre-joint . . . . .	23
12. Indicateur de la capacité de la batterie . . . . .	23
13. Entretien, nettoyage, rangement et transport . . . . .	24
14. Caractéristiques techniques . . . . .	24
15. Élimination et recyclage . . . . .	24
16. CE-Déclaration de conformité . . . . .	25

## Inhoudsopgave

1. Uitleg van de symbolen . . . . .	26
2. Algemene veiligheidsvoorschriften voor elektrisch gereedschap . . . . .	26
3. Aanvullende veiligheidsvoorschriften . . . . .	28
4. Veiligheidsopmerkingen voor de batterij, de voeding en de oplader . . . . .	28
5. Voor het eerste gebruik . . . . .	29
6. Inhoud verpakking . . . . .	29
7. Beoogd gebruik . . . . .	29
8. Accu opladen . . . . .	29
9. Montage . . . . .	30
10. In werking stellen . . . . .	30
11. De klem gebruiken . . . . .	30
12. Accu capaciteit indicator . . . . .	30
13. Onderhoud, reiniging, opslag en transport . . . . .	30
14. Technische gegevens . . . . .	31
15. Afvalverwerking en hergebruik . . . . .	31
16. EG-Conformiteitsverklaring . . . . .	31

## Contenuto

1. Spiegazione dei simboli . . . . .	32
2. Istruzioni di sicurezza generali per utensili elettrici . . . . .	32
3. Ulteriori avvertenze di sicurezza . . . . .	33
4. Note di sicurezza relative alla batteria, all'alimentazione e al caricabatterie . . . . .	34
5. Operazioni preliminari al primo uso del prodotto . . . . .	35
6. Contenuto della confezione . . . . .	35
7. Destinazione d'uso . . . . .	35
8. Ricarica della batteria . . . . .	35
9. Montaggio . . . . .	36
10. Uso . . . . .	36
11. Uso del morsetto . . . . .	36
12. Indicatore di capacità della batteria . . . . .	36
13. Manutenzione, pulizia, conservazione e trasporto . . . . .	36
14. Dati tecnici . . . . .	37
15. Smaltimento . . . . .	37
16. Dichiarazione di conformità CE . . . . .	38

## Índice

1. Explicación de los símbolos. . . . .	39
2. Instrucciones generales de seguridad en materia de herramientas eléctricas . . . . .	39
3. Advertencias de seguridad adicionales. . . . .	41
4. Instrucciones de seguridad relativas a la batería, la fuente de alimentación y el cargador . . . . .	41
5. Antes de usar por primera vez . . . . .	42
6. Contenido del paquete . . . . .	42
7. Uso previsto . . . . .	42
8. Carga de la batería . . . . .	42
9. Montaje . . . . .	43
10. Utilización . . . . .	43
11. Uso del mecanismo de sujeción . . . . .	43
12. Indicador del nivel de carga de la batería . . . . .	43
13. Mantenimiento, limpieza, almacenamiento y transporte . . . . .	43
14. Datos técnicos . . . . .	44
15. Eliminación . . . . .	44
16. Declaración CE de conformidad . . . . .	45

## Índice

1. Explicação dos símbolos . . . . .	46
2. Instruções de segurança gerais para ferramentas elétricas . . . . .	46
3. Avisos de segurança adicionais . . . . .	47
4. Notas de segurança sobre a bateria, a alimentação e o carregador . . . . .	48
5. Antes da primeira utilização. . . . .	49
6. Conteúdo da embalagem . . . . .	49
7. Utilização prevista . . . . .	49
8. Carregar a bateria. . . . .	49
9. Montagem . . . . .	50
10. Operação . . . . .	50
11. Utilizar o grampo . . . . .	50
12. Indicador da capacidade da bateria . . . . .	50
13. Manutenção, limpeza, armazenamento e transporte . . . . .	50
14. Dados técnicos . . . . .	51
15. Eliminação . . . . .	51
16. Declaração de conformidade CE . . . . .	52

## Spis treści

1. Objasnienie symboli . . . . .	53
2. Ogólne wskazówki dotyczące bezpieczeństwa elektronarzędzi . . . . .	53
3. Dodatkowe zalecenia dotyczące bezpieczeństwa . . . . .	54
4. Środki ostrożności dotyczące akumulatora, zasilacza i ładowarki. . . . .	55
5. Przed pierwszym użyciem . . . . .	56
6. Zawartość opakowania . . . . .	56
7. Przeznaczenie. . . . .	56
8. Ładowanie baterii. . . . .	56
9. Montaż . . . . .	57
10. Obsługa . . . . .	57
11. Korzystanie z zacisku . . . . .	57
12. Wskaźnik stopnia naładowania akumulatora . . . . .	57
13. Konserwacja, czyszczenie, przechowywanie i transport. . . . .	57
14. Dane techniczne . . . . .	58
15. Utylizacja . . . . .	58
16. Deklaracja zgodności z wymogami UE. . . . .	59

## Dear customer

Please familiarize yourself with the proper usage of the device by reading and following each chapter of this manual, in the order presented. Keep these operating instructions for further reference.

### Please read all safety instructions!

This manual contains important information on operating and handling the device. Keep these operating instructions for further reference. Please pass it on along with the unit if it is handed over to a third party.

## 1. Explanation of the symbols

The following symbols are used in the user manual or on the product:



**Warning!** To reduce the risk of injury, the user must read the instruction manual.



Denotes risk of personal injury, loss of life or damage to the tool in case of non-observance of the instructions in this manual.



Electric power tool, protection class II. This sign symbolises that this unit corresponds to Protection Class II. This means that the unit is equipped with either reinforced or double insulation between the mains circuit and output voltage or metal housing respectively.



CE stands for "Conformité Européenne", which means "In accordance with EU Regulations". With the CE marking, the manufacturer confirms that this Electric tool complies with the applicable European directives.



Do not dispose of electric power tools with domestic refuse.

## 2. General safety instructions for power tools



**WARNING!** Read all instructions!

Failure to follow all instructions listed below may result in electric shock, fire and/or serious injury.

The term "power tool" in all of the warnings listed below refers to your mains operated (corded) power tool or battery operated (cordless) power tool.

### Save these instructions for future reference!

#### 2.1 Work area

- a. **Keep work area clean and well lit.** Cluttered and dark areas invite accidents.
- b. **Do not operate power tools in explosive atmospheres, such as in the presence of flammable liquids, gases or dust.** Power tools create sparks which may ignite the dust or fumes.
- c. **Keep children and bystanders away while operating a power tool.** Distractions can cause you to lose control.

#### 2.2 Electrical safety

- a. **Avoid body contact with earthed or grounded surfaces such as pipes, radiators, ranges and refrigerators.** There is an increased risk of electric shock if your body is earthed or grounded.
- b. **Do not expose power tools to rain or wet conditions.** Water entering a power tool will increase the risk of electric shock.

#### 2.3 Personal safety

- a. **Stay alert, watch what you are doing and use common sense when operating a power tool. Do not use a power tool while you are tired or under the influence of drugs, alcohol or medication.** A moment of inattention while operating power tools may result in serious personal injury.
- b. **Use safety equipment. Always wear eye protection.** Safety equipment such as dust mask, non-skid safety shoes, hard hat, or hearing protection used for appropriate conditions will reduce personal injuries.
- c. **Avoid accidental starting. Ensure the switch is in the off position before plugging in.** Carrying power tools with your finger on the switch or plugging in power tools that have the switch on invites accidents.

- d. **Remove any adjusting key or wrench before turning the power tool on.** A wrench or a key left attached to a rotating part of the power tool may result in personal injury.
- e. **Do not overreach. Keep proper footing and balance at all times.** This enables better control of the power tool in unexpected situations.
- f. **Dress properly. Do not wear loose clothing or jewellery. Keep your hair, clothing and gloves away from moving parts.** Loose clothes, jewellery or long hair can be caught in moving parts.
- g. **If devices are provided for the connection of dust extraction and collection facilities, ensure these are connected and properly used.** The use of these pieces of equipment reduce hazards caused by dust.

#### 2.4 Power tool use and care

- a. **Do not force the power tool. Use the correct power tool for your application.** The correct power tool will do the job better and safer at the rate for which it was designed.
- b. **Do not use the power tool if the switch does not turn it on and off.** Any power tool that cannot be controlled with the switch is dangerous and must be repaired.
- c. **Store idle power tools out of the reach of children and do not allow persons unfamiliar with the power tool or these instructions to operate the power tool.** Power tools are dangerous in the hands of untrained users.
- d. **Maintain power tools. Check for misalignment or binding of moving parts, breakage of parts and any other condition that may affect the power tools operation. If damaged, have the power tool repaired before use.** Many accidents are caused by poorly maintained power tools.
- e. **Use the power tool, accessories and tool bits etc., in accordance with these instructions and in the manner intended for the particular type of power tool, taking into account the**

**working conditions and the work to be performed.** Use of the power tool for operations different from intended could result in a hazardous situation.

#### 2.5 Service

- a. **Please use a qualified expert who uses original replacement parts to repair your power tool.** This will ensure proper functioning of the power tool.

### 3. Additional safety warnings



Please read this manual carefully and use the unit only according to this manual.

- The pump has been designed for pumping clear water. The pump is not intended for delivering salt water, corrosive, easily flammable or explosive liquids (e.g. petrol, paraffin, thinners), faeces, oil, heating oil or foodstuffs.
- Do not use the pump to deliver solids. Gravel, sand or the like may damage the pump.
- Make sure that the temperature of the water to be delivered must not exceed 35 °C.
- Do not operate the pump unsupervised for long time.
- Do not replace the cord and do not repair it. It is not allowed to modify the cord by installing a switch or similar.
- Do not pinch or crimp the cord in any way. Keep the cord away.
- Do not use the cord to carry or transport the pump.
- If not in use, do not hang up the pump on its cord.
- Protect the pump from frost.
- Do not allow the pump to run dry. During operation always keep the pump completely immersed in water.
- Remove the battery from the pump if you clean or do not use it for a long period of time.
- If the pump itself or the cord become damaged, do not operate the pump furthermore and have it repaired by a professional or contact the Batavia

customer service. Do not disassemble the unit or try to repair it yourself.

- Take special care of the unit. Avoid dropping it onto any hard surface and do not expose it to pressure or any other form of mechanical stress. Keep the unit away from extreme heat or cold.
- Store the device in a cool and dry place inside.

#### 4. Safety notes for the battery, the power supply and the charger

- Make sure the main voltage corresponds to the voltage stated on the type label. Only plug the battery charger to 100 – 240 VAC mains power.
- Only use the battery and the charger included in delivery with the water pump.
- Keep the battery, if not inserted into the water pump and not in use, away from metal objects such as paper clips, coins, keys, nails and the likes, which might short-circuit the terminals.
- Upon incorrect use, liquid may leak from the battery. Avoid contact with this liquid. Wash the skin with water. If the eyes are contaminated, consult a physician immediately.
- A defective or worn battery must be disposed of in accordance with the relevant regulations.
- Do not submerge the battery in water or burn it. There is a danger of explosion!
- Immediately replace a defective battery (i. e. defective case).
- The charger is specially designed for use with the water pump. Do not attempt to charge/use with other devices. Do not attempt to charge the battery with other types of charger.
- If the battery charger is not in use, unplug it from power mains. Also unplug while cleaning or maintaining the charger or power supply unit.
- Only charge, operate and store the battery at an ambient temperature between 10 °C and 40 °C.

- Protect battery and battery charger from humidity. Do not operate the battery charger out-doors.
- Take special care of the battery. Avoid dropping it onto any hard surface and do not subject it to pressure or any other form of mechanical stress. Keep the battery away from extreme heat and cold.
- Do not open or attempt to repair the battery or the battery charger. If any parts are damaged, have them repaired by a qualified technician or contact our customer service.
- Use power tools only with specifically designated battery packs. Use of any other battery packs may create a risk of injury and fire.
- When disposing of batteries, follow the instructions given in the section "Disposal".
- If the power tool is to be stored unused for a long period, the battery should be removed.
- Important Danger! Never short-circuit the battery or expose it to moisture. Do not store it together with any metal parts which could short-circuit the contacts. The battery could overheat, start burning or explode.

#### 5. Before first use

Unpack the rain barrel pump and check all parts for any damage in transit. Keep packaging materials out of reach of children. There is risk of suffocation!

#### 6. Contents of packing

- 1× Water pump
- 1× Battery
- 1× Charger
- 1× Clamp
- 1× Extension tube
- 1× Operating instructions

## 7. Intended use

- The rain barrel pump is designed for pumping clear water only.
- The rain barrel pump is intended for pumping water from a rainwater butt or rainwater collecting tank. It is particularly suitable for watering plants in the garden.
- It is not intended for delivering salt water, corrosive, easily flammable or explosive liquids (e.g. petrol, paraffin, thinners, etc.), acids, oil, heating oil or foodstuffs.
- This pump is not intended for commercial or industrial purposes.
- The pump is not suitable for continuous operation, e.g. for watercourses in garden ponds.
- The intended use also includes an operation following the operating instructions. Any use beyond these parameters (different media, applying force) or any changes (reconstruction, no original accessory) can lead to serious risks and is regarded as use that is contrary to the intended purpose.

## 8. Charging the battery

(See Fig. B).

Before using the pump for the first time, fully charge the battery.

- 8.1 Connect the battery charger (9) with a wall socket. The LED lights up green to indicate that power is on.
- 8.2 Connect the battery (11) with the battery charger. The LED lights up red to indicate that the battery is charging. Charge the battery for approx. 6 hours. When the battery is fully charged, the LED lights up green.
- 8.3 After charging process, disconnect the charger from the unit and unplug from mains.

## 9. Assembly

(See Fig. C).

- 9.1 Before each use, check the pump for any damages. Do not use the pump in case of damages.
- 9.2 Place the sealing washer (10) on the pump housing (7) and screw the nut (6) on the housing.
- 9.3 Tightly attach the hose (not included) to be used for pumping off the water to the quick connection of the shut-off valve (1).
- 9.4 For extra length you can add the optional extension tube (14).

## 10. Operation

(See Fig. D).

- 10.1 Set the rain barrel pump on a flat surface into the water supply you want to pump off. Make sure that the pump cannot move during operation. Pay attention to the maximum submersion depth. Always make sure that the suction opening (8) is not blocked or obstructed during operation. If necessary, place the pump on a brick or similar.
- 10.2 Run the irrigation hose for watering the plants. Observe the maximum delivery height.
- 10.3 Open the shut-off valve (1).
- 10.4 Insert the battery (11) into the battery compartment (4). To switch on the rain barrel pump, push the ON/OFF switch (2) in direction I. To switch off the pump push the switch (2) in direction O. (See Fig. E).
- 10.5 When not in use, remove the battery from the battery compartment. Depress the release button on the battery and pull out the battery from the compartment.
  - Make sure that water and moisture cannot get into the control unit.
  - Make sure that no particles bigger than approx. 1 mm are sucked into the pump.
  - Never pull the rain barrel pump by the cord.

- Avoid dry running of the pump! Dry running is operating the pump without water in the casing.

## 11. Using the clamp

(See Fig. F).

- 11.1 If necessary, fix the rain barrel pump with the included clamp (12) on the rain barrel.
- 11.2 Screw the tightening screw (13) with a suitable hex key (size 5) hand tight on the rain barrel. The clamp will protect the pump from tipping over.

## 12. Battery capacity indicator

The illuminated LED indicate the battery capacity.

LED	4	3	2	1
Capacity	100 %	75 %	50 %	25 %

When the fourth and last LED turns off, the pump will stop working. Switch off the pump. Remove the battery from the compartment and charge the battery.

## 13. Maintenance, cleaning, storing and transport

- Remove the battery from the compartment undertaking any kind of maintenance work and before cleaning.
- Use only a lightly moistened cloth to clean the housing of the unit. Do not use metal or sharp items in order not to damage the surfaces. Do not use aggressive chemicals or similar materials.
- The pump does not contain any parts serviceable by you. Do not disassemble the pump and do not try to repair it yourself. Repairs must be done by a professional only.
- The pump does not require maintenance apart from cleaning the housing and the filter. For cleaning the filter, unscrew the filter cover (8) by turning counter clockwise. Clean the filter with clear water and re-attach the filter to the rain barrel pump. (See Fig. G).
- Please note that sand, mud or suspended sediment in the pumped water can affect its delivery rate.

- Never carry, lift up or hang the pump by the cord.
- Store the pump in a dry place that is protected from dust, dirt and frost. Store the unit out of reach of children.

## 14. Technical data

Rated voltage:	12 VDC
Rated power:	50 W
Protection class:	III
Degree of protection control unit:	IPX4
Degree of protection pump:	IPx8
Connection Size:	G 3/4"
Pipe Diameter:	17 mm
Max. pump rate:	1500 l/h
Max. Pump height:	11 m
Submersion depth max.:	1 m
Particle size max.:	1 mm
Fluid temperature max.:	35° C
Operation time approx.:	35 min
Battery type:	Li-Ion
Charging time approx.:	5 h

## 15. Disposal



*Do not dispose of electric power tools with domestic refuse.*

The electric power tool is shipped in packaging to reduce transport damage. This packaging is a raw material and as such can either be reused or can be fed back into the raw material cycle. The electric power tool and its accessories are made from various materials such as metals and plastics. Take defective components to a special refuse collection point. Ask about these at your specialist shop or local council.

### 15.1 Batteries

Think of the environment when disposing of batteries. Contact your local authorities to find out where your nearest disposal area is. Do not dispose of batteries with domestic refuse.

Do not dispose of by burning, risk of explosion.

## 16. EC-Declaration of conformity

We, the **Batavia B.V., Weth. Wassebaliestraat 6d, NL-7951 SN Staphorst, Netherlands** declare by our own responsibility that the product **Water pump, Item-No 7063549, Model Nr. BT-RBP001** is according to the basic requirements, which are defined in the European Directives **Electromagnetic Compatibility 2014/30/EU (EMC), 2014/35/EC (LVD), 2011/65/EU (RoHS)**, and their amendments. For the evaluation of conformity, the following harmonized standards were consulted:

**EN 55014-1:2017**

**EN 55014-2:2015**

**EN 61000-3-2:2014**

**EN 61000-3-3:2013**

**EN 60335-1:2012+A11+A13**

**EN 60335-2-41:2003+A1+A2**

**EN 62233:2008**

Staphorst, 6 juli 2021



Meino Seinen, QA Representative  
Batavia B.V., Weth. Wassebaliestraat 6d,  
7951 SM Staphorst, Netherlands

The product and the user manual may be subject to changes. Technical data may be changed without prior notice.

## Sehr geehrte Damen und Herren

Bitte machen Sie sich in der Reihenfolge der Kapitel mit dem Gerät vertraut und bewahren Sie diese Bedienungsanleitung für spätere Zwecke gut auf.

### Bitte beachten Sie die Sicherheitshinweise!

Diese Bedienungsanleitung enthält wichtige Hinweise zur Inbetriebnahme und Handhabung. Legen Sie die Anleitung dem Produkt bei, wenn Sie es an Dritte weitergeben.

## 1. Erläuterung der Symbole

Folgende Symbole werden im Benutzerhandbuch oder auf dem Produkt verwendet:



**WARNUNG** – Zur Verringerung des Verletzungsrisikos Bedienungsanleitung lesen.



**Allgemeines Warnzeichen** – Seien Sie aufmerksam und beachten Sie allgemeine Gefahren.



**Elektrowerkzeug der Schutzklasse II.** Dieses Zeichen symbolisiert, dass dieses Gerät der Schutzklasse II entspricht. Dies bedeutet, dass das Gerät mit einer verstärkten oder doppelten Isolierung zwischen Netzstromkreis und Ausgangsspannung beziehungsweise Metallgehäuse ausgestattet ist.



**CE** steht für „Conformité Européenne“, dies bedeutet, „Übereinstimmung mit EU Richtlinien“. Mit der CE Kennzeichnung bestätigt der Hersteller, dass dieses Elektrowerkzeug den geltenden europäischen Richtlinien entspricht.



**Nicht in den Hausmüll entsorgen!**

## 2. Allgemeine Sicherheitshinweise für Elektrowerkzeuge



**WARNUNG!** Lesen Sie alle Sicherheitshinweise und Anweisungen.

Versäumnisse bei der Einhaltung der Sicherheitshinweise und Anweisungen können elektrischen Schlag, Brand und/oder schwere Verletzungen verursachen.

Der in den Sicherheitshinweisen verwendete Begriff „Elektrowerkzeug“ bezieht sich auf netzbetriebene Elektrowerkzeuge (mit Netzkabel) und auf akkubetriebene Elektrowerkzeuge (ohne Netzkabel).

### Bewahren Sie diese Sicherheitshinweise gut auf!

#### 2.1 Arbeitsplatz

- Halten Sie Ihren Arbeitsbereich sauber und gut beleuchtet.** Unordnung oder unbeleuchtete Arbeitsbereiche können zu Unfällen führen.
- Arbeiten Sie mit dem Elektrowerkzeug nicht in explosionsgefährdeter Umgebung, in der sich brennbare Flüssigkeiten, Gase oder Stäube befinden.** Elektrowerkzeuge erzeugen Funken, die den Staub oder die Dämpfe entzünden können.
- Halten Sie Kinder und andere Personen während der Benutzung des Elektrowerkzeugs fern.** Bei Ablenkung können Sie die Kontrolle über das Gerät verlieren.

#### 2.2 Elektrische Sicherheit

- Vermeiden Sie Körperkontakt mit geerdeten Oberflächen wie Rohren, Heizungen, Herden und Kühlschränken.** Es besteht ein erhöhtes Risiko durch elektrischen Schlag, wenn Ihr Körper geerdet ist.
- Halten Sie das Gerät von Regen oder Nässe fern.** Das Eindringen von Wasser in ein Elektrowerkzeug erhöht das Risiko eines elektrischen Schlages.

#### 2.3 Sicherheit von Personen

- Seien Sie aufmerksam, achten Sie darauf, was Sie tun und gehen Sie mit Vernunft an die Arbeit mit einem Elektrowerkzeug. Benutzen Sie kein Elektrowerkzeug, wenn Sie müde sind oder unter dem Einfluss von Drogen, Alkohol oder Medikamenten stehen.** Ein Moment der Unachtsamkeit beim Gebrauch des Elektrowerkzeuges kann zu ernsthaften Verletzungen führen.
- Tragen Sie persönliche Schutzausrüstung und immer eine Schutzbrille.** Das Tragen persönlicher Schutzausrüstung, wie Staubmaske, rutschfeste Sicher-

- heitsschuhe, Schutzhelm oder Gehörschutz, je nach Art und Einsatz des Elektrowerkzeuges, verringert das Risiko von Verletzungen.
- c. **Vermeiden Sie eine unbeabsichtigte Inbetriebnahme. Vergewissern Sie sich, dass das Elektrowerkzeug ausgeschaltet ist, bevor Sie es an die Stromversorgung und/oder den Akku anschließen, es aufnehmen oder tragen.** Wenn Sie beim Tragen des Elektrowerkzeuges den Finger am Schalter haben oder das Gerät eingeschaltet an die Stromversorgung anschließen, kann dies zu Unfällen führen.
  - d. **Entfernen Sie Einstellwerkzeuge oder Schraubenschlüssel, bevor Sie das Elektrowerkzeug einschalten.** Ein Werkzeug oder Schlüssel, der sich in einem drehenden Geräteteil befindet, kann zu Verletzungen führen.
  - e. **Vermeiden Sie eine abnormale Körperhaltung. Sorgen Sie für einen sicheren Stand und halten Sie jederzeit das Gleichgewicht.** Dadurch können Sie das Elektrowerkzeug in unerwarteten Situationen besser kontrollieren.
  - f. **Tragen Sie geeignete Kleidung. Tragen Sie keine weite Kleidung oder Schmuck. Halten Sie Haare, Kleidung und Handschuhe fern von sich bewegenden Teilen.** Lockere Kleidung, Schmuck oder lange Haare können von sich bewegenden Teilen erfasst werden.
  - g. **Wenn Staubabsaug- und -auffangeinrichtungen montiert werden können, vergewissern Sie sich, dass diese angeschlossen sind und richtig verwendet werden.** Verwendung einer Staubabsaugung kann Gefährdungen durch Staub verringern.
- 2.4 Sorgfältiger Umgang mit und Gebrauch von Elektrowerkzeugen**
- a. **Überlasten Sie das Gerät nicht. Verwenden Sie für Ihre Arbeit das dafür bestimmte Elektrowerkzeug.** Mit dem passenden Elektrowerkzeug arbeiten Sie besser und sicherer im angegebenen Leistungsbereich.
  - b. **Benutzen Sie kein Elektrowerkzeug, dessen Schalter defekt ist.** Ein Elektrowerkzeug, das sich nicht mehr ein- oder ausschalten lässt, ist gefährlich und muss repariert werden.
  - c. **Bewahren Sie unbenutzte Elektrowerkzeuge außerhalb der Reichweite von Kindern auf. Lassen Sie Personen das Gerät nicht benutzen, die mit diesem nicht vertraut sind oder diese Anweisungen nicht gelesen haben.** Elektrowerkzeuge sind gefährlich, wenn sie von unerfahrenen Personen benutzt werden.
  - d. **Pflegen Sie das Elektrowerkzeug mit Sorgfalt. Kontrollieren Sie, ob bewegliche Geräteteile einwandfrei funktionieren und nicht klemmen, ob Teile gebrochen oder so beschädigt sind, dass die Funktion des Elektrowerkzeuges beeinträchtigt ist. Lassen Sie beschädigte Teile vor dem Einsatz des Gerätes reparieren.** Viele Unfälle haben ihre Ursache in schlecht gewarteten Elektrowerkzeugen.
  - e. **Verwenden Sie Elektrowerkzeuge, Zubehör, Einsatzwerkzeuge usw. entsprechend diesen Anweisungen. Berücksichtigen Sie dabei die Arbeitsbedingungen und die auszuführende Tätigkeit.** Der Gebrauch von Elektrowerkzeugen für andere als die vorgesehenen Anwendungen kann zu gefährlichen Situationen führen.
- 2.5 Service**
- a. **Lassen Sie Ihr Elektrowerkzeug nur von qualifiziertem Fachpersonal und nur mit Original-Ersatzteilen reparieren.** Damit wird sichergestellt, dass die Sicherheit des Gerätes erhalten bleibt.
- 3. Zusätzliche Sicherheitshinweise**
-  Bitte lesen Sie diese Bedienungsanleitung aufmerksam durch und benutzen Sie die Wasserpumpe ausschließlich gemäß dieser Anleitung.
- Die Pumpe ist als Klarwasserpumpe konzipiert. Sie ist nicht zur Förderung von Salzwasser, ätzenden, leicht

- brennbaren oder explosiven Stoffen (z. B. Benzin, Petroleum, Nitroverdünnung), Fäkalien, Ölen, Heizöl oder Lebensmitteln geeignet.
- Fördern Sie keine festen Gegenstände mit dieser Pumpe. Kies, Sand oder ähnliches Material können die Pumpe beschädigen.
  - Die Temperatur des zu fördernden Wassers darf max. 35 °C betragen.
  - Betreiben Sie die Pumpe nicht längere Zeit unbeaufsichtigt.
  - Das Kabel darf nicht ausgetauscht oder repariert werden und es dürfen auch keine Veränderungen an dem Kabel vorgenommen werden, wie Schaltereinbau oder ähnliches.
  - Klemmen oder knicken Sie das Kabel nicht. Halten Sie es von heißen Oberflächen fern.
  - Benutzen Sie das Kabel nicht zum Transportieren der Pumpe.
  - Hängen Sie die Pumpe bei Nichtgebrauch keinesfalls an dem Kabel auf.
  - Schützen Sie die Pumpe vor Frost.
  - Schützen Sie die Pumpe vor Trockenlauf. Die Pumpe muss im Betrieb ständig unter Wasser eingetaucht sein.
  - Ziehen Sie den Akku heraus, bevor Sie die Pumpe reinigen oder längere Zeit nicht benutzen.
  - Falls an der Pumpe selbst oder am Kabel Schäden auftreten, benutzen Sie diese nicht mehr und lassen Sie den Schaden durch einen Fachmann instand setzen oder wenden Sie sich an die Batavia Kundenbetreuung. Zerlegen Sie die Pumpe nicht und unternehmen Sie keine eigenen Reparaturversuche.
  - Behandeln Sie die Pumpe mit Umsicht. Lassen Sie die Pumpe nicht fallen und setzen Sie die Pumpe weder Druck, anderen mechanischen Belastungen oder extremer Hitze oder Kälte aus.
  - Lagern Sie den Akku und die Pumpe an einem kühlen und trockenen Ort im Innenbereich.
- #### 4. Sicherheitshinweise zum Akku, zum Netzteil und zum Ladegerät
- Überzeugen Sie sich, dass die Netzspannung mit den Angaben auf dem Typenschild übereinstimmt. Setzen Sie das Netzteil nur am 100 – 240 VAC Stromnetz ein.
  - Verwenden Sie in der Wasserpumpe nur den beigegefügteten Akku.
  - Halten Sie den Akku, wenn dieser nicht in der Wasserpumpe eingeführt ist und in Verwendung ist, fern von Büroklammern, Münzen, Schlüsseln, Nägeln, Schrauben oder anderen kleinen Metallgegenständen, die eine Überbrückung der Kontakte verursachen könnten.
  - Bei falscher Anwendung kann Flüssigkeit aus dem Akku austreten. Vermeiden Sie den Kontakt damit. Bei zufälligem Kontakt mit der Haut, spülen Sie diese mit Wasser ab. Wenn die Flüssigkeit in die Augen gelangt, nehmen Sie zusätzlich ärztliche Hilfe in Anspruch.
  - Führen Sie einen defekten oder unbrauchbar gewordenen Akku einer Batteriesammelstelle zu.
  - Werfen Sie den Akkublock niemals ins Feuer oder Wasser, es besteht Explosionsgefahr!
  - Tauschen Sie einen defekten Akku (z. B. defektes Gehäuse) gegen einen neuen Akku aus.
  - Das Ladegerät ist nur für die Wasserpumpe bestimmt. Laden/Betreiben Sie keine anderen Geräte mit diesem Ladegerät. Laden Sie den Akku nicht mit anderen Netzteilen.
  - Ziehen Sie bei Nichtbenutzung des Netzteils und des Ladegerätes, sowie vor jeder Reinigung und Wartung den Netzstecker aus der Steckdose.
  - Laden, betreiben und lagern Sie den Akku nur bei Umgebungstemperaturen zwischen 10 °C und 40 °C.
  - Schützen Sie den Akku, das Netzteil und das Ladegerät vor Feuchtigkeit. Laden Sie den Akku nicht im Freien.
  - Behandeln Sie den Akku mit Umsicht, lassen Sie ihn nicht fallen und setzen Sie ihn weder Druck, anderen mechani-

schon Belastungen oder extremer Hitze und Kälte aus.

- Öffnen und reparieren Sie den Akku, das Netzteil oder das Ladegerät nicht. Im Falle eines Defektes lassen Sie Reparaturen nur von einem Elektrofachmann durchführen oder wenden Sie sich an unseren Kundenservice.
- Verwenden Sie nur die dafür vorgesehenen Akkus in den Elektrowerkzeugen. Der Gebrauch von anderen Akkus kann zu Verletzungen und Brandgefahr führen.
- Befolgen Sie bei der Entsorgung von Akkus die Anweisungen im Abschnitt „Entsorgung“.
- Wenn das Elektrowerkzeug für längere Zeit gelagert werden soll, sollte die Batterie entfernt werden.
- Achtung Unfallgefahr! Schließen Sie den Akku nicht kurz, setzen Sie ihn niemals Nässe aus und bewahren Sie ihn nicht zusammen mit Metallgegenständen auf, die die Kontakte kurzschließen könnten. Der Akku könnte sich stark erhitzen, in Brand geraten oder explodieren.

## 5. Vor der ersten Benutzung

Nehmen Sie die Regenfasspumpe aus der Verpackung und überprüfen Sie alle Teile auf Transportschäden. Halten Sie die Verpackungsmaterialien von Kleinkindern fern. Es besteht Erstickungsgefahr!

## 6. Verpackungsinhalt

- 1x Wasserpumpe
- 1x Batterie
- 1x Ladegerät
- 1x Klammer
- 1x Verlängerungsröhr
- 1x Betriebsanleitung

## 7. Bestimmungsgemäßer Gebrauch

- Die Regenfasspumpe ist als Klarwasertauchpumpe konzipiert.
- Die Regenfasspumpe ist zur Förderung von Wasser aus einer Regentonne bzw. einem Regensammelbehälter

bestimmt. Sie ist besonders zur Gartenbewässerung geeignet.

- Sie ist nicht zur Förderung von Salzwasser, ätzenden, leicht brennbaren oder explosiven Stoffen (z. B. Benzin, Petroleum, Nitroverdünnung), Fäkalien, Ölen, Heizöl oder Lebensmitteln geeignet.
- Die Pumpe ist nicht für die Verwendung im industriellen Einsatz geeignet.
- Die Pumpe ist nicht für den Dauerbetrieb z. B. für Wasserläufe im Garten etc. geeignet.
- Zur bestimmungsgemäßen Verwendung gehört auch das Einhalten der Anleitung. Jede darüber hinausgehende Verwendung (andere Medien, Gewaltanwendung) oder eigenmächtige Veränderung (Umbau, kein Original-Zubehör) können Gefahren auslösen und gelten als nicht bestimmungsgemäß.

## 8. Aufladen des Akkus

(Siehe **Abb. B**).

Laden Sie den Akku vor dem ersten Gebrauch einmal vollständig auf.

- 8.1 Verbinden Sie das Ladegerät (**9**) mit einer Steckdose. Die LED leuchtet grün auf und zeigt an, dass Spannung anliegt.
- 8.2 Verbinden Sie den Akku (**11**) mit dem Ladegerät. Die LED leuchtet nun rot auf und zeigt an, dass der Ladevorgang läuft. Laden Sie den Akku ca. 6 Stunden. Wenn der Akku geladen ist, leuchtet die LED grün auf.
- 8.3 Trennen Sie nach dem Ladevorgang das Ladegerät vom Stromkreis und nehmen Sie den Akku aus dem Ladegerät.

## 9. Zusammenbau

(Siehe **Abb. C**).

- 9.1 Überprüfen Sie die Pumpe und den Akku vor jedem 6. Betrieb auf Beschädigungen. Eine defekte Pumpe darf nicht verwendet werden.
- 9.2 Legen Sie die Dichtung (**10**) auf das Pumpengehäuse (**7**) und schrauben Sie den Schraubverschluss (**6**) an das Pumpengehäuse.

- 9.3 Stecken Sie bei Bedarf den Bewässerungsschlauch (nicht im Lieferumfang enthalten), der zum Abpumpen verwendet werden soll, fest auf den Anschluss 7 am Absperrhahn **(1)**.
- 9.4 Für zusätzliche Länge können Sie das optionale Verlängerungsrohr **(14)** hinzufügen.

## 10. Benutzung

(Siehe **Abb. D**).

- 10.1 Stellen Sie die Pumpe auf einen ebenen Untergrund ins Wasser. Achten Sie während des Betriebs immer auf einen festen Stand der Pumpe. Beachten Sie die maximal zulässige Eintauchtiefe der Pumpe. Achten Sie immer darauf, dass die Ansaugöffnung **(8)** im Betrieb nicht blockiert oder verstopft ist. Stellen Sie die Pumpe ggf. auf einen Ziegelstein oder ähnliches.
- 10.2 Verlegen Sie den Bewässerungsschlauch zum Bewässern der Pflanzen. Beachten Sie die max. mögliche Förderhöhe.
- 10.3 Öffnen Sie den Absperrhahn **(1)**.
- 10.4 Stecken Sie den Akku **(11)** in das Batteriefach **(4)**. Zum Einschalten der Pumpe drücken Sie den EIN/AUS-Schalter **(2)** in Richtung I. Zum Ausschalten der Pumpe drücken Sie den Schalter **(2)** in Richtung O (Siehe **Abb. E**).
- 10.5 Bei Nichtgebrauch nehmen Sie den Akku aus dem Batteriefach heraus. Drücken Sie dabei fest auf die Entriegelungstaste und ziehen Sie den Akku gerade nach unten.
- Stellen Sie sicher, dass Wasser und Feuchtigkeit niemals an die Steuereinheit gelangen können.
  - Achten Sie darauf, dass keine Partikel größer als ca. 1 mm angesaugt werden.
  - Ziehen Sie die Pumpe niemals am Kabel hoch.
  - Vermeiden Sie unbedingt das Trockenlaufen der Pumpe! Trockenlauf ist der Betrieb der Pumpe ohne Wasser im Pumpengehäuse.

## 11. Benutzung der Klammer

(Siehe **Abb. F**).

- 11.1 Befestigen Sie bei Bedarf die Pumpe mithilfe der beigegefügt Klammer **(12)** an dem Regenfass.
- 11.2 Ziehen Sie die Befestigungsschraube **(13)** mit einem Sechskantschlüssel (Größe 5) fest. Die Klammer sichert die Pumpe vom Umkippen.

## 12. Batteriezustandsanzeige

Die leuchtenden LEDs zeigen die Batteriekapazität an

LED	4	3	2	1
Kapazität	100 %	75 %	50 %	25 %

Wenn die vierte und letzte LED erlischt, stoppt die Pumpe. Schalten Sie die Pumpe aus. Nehmen Sie den Akku aus dem Gerät und laden Sie ihn wieder auf.

## 13. Wartung, Reinigung, Lagerung und Transport

- Nehmen Sie den Akku aus dem Batteriefach heraus, bevor Sie Wartungs- und Reinigungsarbeiten vornehmen.
- Reinigen Sie das Gehäuse nur mit einem leicht befeuchteten Tuch. Meiden Sie zum Schutz der Oberflächen die Verwendung von metallischen oder scharfen Gegenständen. Benutzen Sie keine aggressiven Reinigungssubstanzen.
- Die Pumpe enthält keine von Ihnen zu wartenden Teile. Zerlegen Sie die Pumpe nicht und unternehmen Sie keine eigenen Reparaturversuche. Reparaturen dürfen nur vom Fachmann erfolgen.
- Die Pumpe ist bis auf eine Reinigung der Gehäuseoberfläche und des Filters wartungsfrei. Zur Reinigung des Filters drehen Sie die Filterabdeckung **(8)** gegen den Uhrzeigersinn. Reinigen Sie den Filter mit klarem Wasser und setzen Sie den Filter wieder ein. (Siehe **Abb. G**).
- Halten Sie die Ansaugöffnung frei von Verschmutzungen, um ein Verstopfen zu vermeiden. Beachten Sie, dass Sand oder Schlammteile bzw. Schwebstoffe

im Pumpwasser die Pumpleistung stark beeinträchtigen können.

- Tragen, ziehen oder lagern Sie die Pumpe niemals am Kabel.
- Lagern Sie die Pumpe an einem trockenen, vor Staub, Schmutz und Frost geschützten Ort. Lagern Sie das Gerät außerhalb der Reichweite von Kindern.

#### 14. Technische Daten

Spannung:	12 VDC
Nennleistung:	50 W
Schutzklasse:	III
Schutzgrad Steuereinheit:	IPX4
Schutzgrad Pumpe:	IPX8
Wasserhahnanschluss:	G3/4"
Schlauchdurchmesser:	17 mm
Pumpleistung:	1500 L/Std.
Förderhöhe:	max. 11 m
Eintauchtiefe:	1 meter
Partikelgröße:	max. 1 mm
Flüssigkeitstemperatur:	35° C
Betriebsdauer:	35 min
Akkutyp:	Li-Ion
Ladedauer:	5 Std.

#### 15. Entsorgung



Werter Kunde, bitte helfen Sie mit, Abfall zu vermeiden. Sollten Sie sich einmal von diesem Artikel trennen wollen, so bedenken Sie bitte, dass viele seiner Komponenten aus wertvollen Rohstoffen bestehen und wiederverwertet werden können. Entsorgen Sie es daher nicht in die Mülltonne, sondern führen Sie es bitte Ihrer Sammelstelle für Wertstoffe zu.

##### 15.1 Batterien

Denken Sie bei der Entsorgung von Batterien an den Umweltschutz. Wenden Sie sich zwecks einer umweltfreundlichen Entsorgung an die lokalen Behörden.

#### 16. EG-Konformitätserklärung

Wir, die **Batavia B.V., Weth. Wassebaliestraat 6d, NL-7951 SN Staphorst, Netherlands** erklären in alleiniger Verantwortung, dass das Produkt **Wasserpumpe, Artikel Nr. 7063549, Model Nr. BT-RBP001** den wesentlichen Schutzanforderungen genügt, die in den Europäischen Richtlinien **2014/30/EU Elektromagnetische Verträglichkeit (EMV), 2014/35/EC (LVD), 2011/65/EU (RoHS)** und deren Änderungen festgelegt sind. Für die Konformitätsbewertung wurden folgende harmonisierte Normen herangezogen:

**EN 55014-1:2017**  
**EN 55014-2:2015**  
**EN 61000-3-2:2014**  
**EN 61000-3-3:2013**  
**EN 60335-1:2012+A11+A13**  
**EN 60335-2-41:2003+A1+A2**  
**EN 62233:2008**

Staphorst, den 6 Juli 2021

Meino Seinen, Qualitätsbeauftragter  
Batavia B.V., Weth. Wassebaliestraat 6d,  
7951 SN Staphorst, Niederlande

Das Produkt und das Benutzerhandbuch können geändert werden. Die technischen Daten können ohne Vorankündigung geändert werden.

## Cher client

Les manuels d'utilisation contiennent des consignes importantes pour la manipulation de votre nouveau produit. Ils vous permettent d'utiliser toutes les fonctions, d'éviter des erreurs de compréhension et de prévenir les dommages.

Veillez prendre le temps de lire tranquillement ce manuel d'utilisation et conservez-le jalousement pour une consultation ultérieure.

### 1. Explication des symboles

Les symboles suivants sont utilisés dans le manuel d'utilisation ou apposés sur le produit :



**AVERTISSEMENT** : pour réduire les risques de blessures, veuillez lire le mode d'emploi.



Indique un risque de blessures, un danger mortel ou un risque d'endommagement de l'outil en cas du non-respect des consignes de ce mode d'emploi.



Appareil électrique de la classe de protection II. Ce symbole signifie que cet appareil est conforme à la classe de protection II. Ceci signifie que l'appareil est équipé d'une isolation renforcée ou doublée entre le circuit de courant de réseau et la sortie électrique, c'est-à-dire le boîtier en métal.



CE est l'abréviation de "Conformité Européenne", ce qui signifie "conforme aux directives de l'Union Européenne". Le fabricant confirme par le marquage CE que cet appareil électrique correspond aux directives européennes en vigueur.



Ne jetez pas les équipements électriques avec les ordures ménagères.

## 2. Consignes générales de sécurité pour appareils électriques



**Avertissement ! Lisez attentivement les instructions.**

Le non-respect de toutes les instructions indiquées ci-dessous peut entraîner un risque de choc électrique, d'incendie et/ou de blessures graves.

Le terme "appareil électrique" mentionné dans tous les avertissements ci-dessous se rapporte à un appareil électrique qui se branche au réseau électrique (grâce à un câble d'alimentation) ou à un appareil électrique (sans fil) fonctionnant grâce à une batterie.

**Conservez ces instructions!**

### 2.1 Espace de travail

- a. **Veillez toujours à garder votre espace de travail propre et bien éclairé.** Les espaces mal rangés et sombres peuvent être la cause d'accidents.
- b. **N'utilisez pas les appareils électriques dans des environnements susceptibles d'explosion, par exemple en présence de liquides inflammables, de gaz ou de particules.** Les appareils électriques provoquent des étincelles qui peuvent enflammer les particules des émanations.
- c. **Veillez à garder éloignés les enfants et les personnes se trouvant dans votre voisinage, lors de l'utilisation d'un appareil électrique.** Les distractions peuvent vous faire perdre le contrôle de l'appareil.

### 2.2 Mesures de sécurité électriques

- a. **Évitez le contact direct avec les surfaces mises à la terre ou mises à la masse comme les canalisations, les radiateurs, les cuisinières et les réfrigérateurs.** En effet, le risque de choc électrique s'accroît si votre corps est mis à la terre ou à la masse.
- b. **N'utilisez pas d'outils électriques dans des environnements pluvieux ou humides.** Si de l'eau s'introduit dans un appareil électrique, le risque de choc électrique augmentera.

### 2.3 Sécurité personnelle

- a. **Restez vigilant, gardez un œil sur ce que vous faites et utilisez votre sens commun lors de l'utilisation d'un appareil électrique. N'utilisez pas un appareil électrique si vous êtes fatigué ou si vous êtes sous l'influence de drogues, d'alcool ou si vous prenez des médicaments.** Un moment d'inattention lors de l'utilisation des appareils électriques peut entraîner des blessures graves.
- b. **Utilisez des équipements de protection. Protégez-vous toujours les yeux.** Les équipements de protection, tels qu'un masque à poussière, des chaussures antidérapantes, des protections auditives ou un casque de sécurité, utilisés dans de bonnes conditions, réduiront le risque de blessures.
- c. **Évitez tout démarrage involontaire. Assurez-vous que l'interrupteur est sur la position "arrêt avant de brancher l'appareil.** En effet, le transport des appareils électriques en gardant vos doigts sur l'interrupteur, ou le branchement de ces appareils en ayant l'interrupteur sur "marche" est source d'accidents.
- d. **Retirez les clés de réglage ou les clés de vis de réglage avant d'allumer l'appareil électrique.** Une clé de vis de réglage ou une clé, laissée sur une pièce en mouvement de l'appareil électrique, peut entraîner des lésions corporelles.
- e. **Ne vous surélevez pas. Gardez toujours vos pieds à plat et gardez votre équilibre.** Ceci permet de mieux contrôler l'appareil électrique dans des situations imprévues.
- f. **Habillez-vous convenablement. Ne portez pas de vêtements lâches ou de bijoux. Gardez vos cheveux, vêtements et gants éloignés des pièces actionnées.** En effet, ces derniers peuvent être pris dans les pièces en action.
- g. **Si des dispositifs sont fournis pour la connexion des équipements d'évacuation et de récupération de la poussière, assurez-vous que ces derniers**

**soient correctement connectés et utilisés.** L'utilisation de ces équipements réduit les risques liés à la poussière.

### 2.4 Utilisation et entretien d'un appareil électrique

- a. **Ne forcez pas l'appareil électrique. Utilisez l'appareil électrique adéquat pour votre application.** Un appareil électrique correctement choisi assurera un meilleur travail et un travail sans danger, au rythme auquel il a été conçu.
- b. **N'utilisez pas l'appareil électrique si l'interrupteur marche/arrêt ne fonctionne pas.** Un appareil électrique qui ne peut pas être commandé par l'interrupteur de contrôle est dangereux et doit être réparé.
- c. **Rangez les appareils électriques non utilisés hors de la portée des enfants, soit en hauteur, soit sous clef, et ne laissez aucune personne, non familiarisée avec l'outil ou ces instructions, utiliser l'appareil électrique.** Les appareils électriques sont dangereux entre les mains d'utilisateurs non formés.
- d. **Entretenez les appareils électriques. Vérifiez les pièces endommagées. Avant de réutiliser l'outil, il est recommandé de vérifier soigneusement un protecteur endommagé, ou une autre partie, pour déterminer si il peut fonctionner correctement et remplir sa fonction. Vérifiez tout défaut d'alignement et le mouvement libre des pièces en mouvement, la rupture de ces dernières, et les autres conditions qui peuvent affecter le fonctionnement des appareils électriques. En cas de dommages et sauf indications contraires dans le présent manuel faites réparer l'appareil électrique par un service agréé avant de le réutiliser.** Nombreux sont les accidents provoqués par des appareils électriques mal entretenus. Les interrupteurs défectueux doivent être remplacés par un service agréé. Ne pas utiliser l'outil si l'interrupteur ne commande plus ni l'arrêt ni la marche.

- e. **Utilisez l'appareil électrique, les accessoires et les embouts, etc., conformément à ces instructions et de la manière prévue pour le type spécifique de l'appareil électrique, en prenant en compte les conditions de travail et le travail à effectuer.** L'utilisation de l'appareil électrique dans des applications différentes de celles prévues peut entraîner des situations dangereuses.

### 2.5 Maintenance

- a. **Veillez recourir à un technicien qualifié qui utilisera des pièces d'origine pour réparer votre outil électrique.**  
C'est ainsi que vous assurerez d'un bon fonctionnement de votre outil.

## 3. Consignes de sécurité



Veillez lire ce manuel attentivement. L'appareil doit être utilisé conformément au présent manuel.

- La pompe est conçue comme une pompe submersible pour eau claire. Il ne convient pas au pompage d'eau salée, de substances corrosives, inflammables ou explosives (par exemple essence, pétrole, diluant nitro), de matières fécales, d'huiles, de mazout ou d'aliments.
- Ne transportez pas d'objets solides avec cette pompe. Le gravier, le sable ou un matériau similaire peut endommager la pompe.
- La température de l'eau à pomper peut être max. 35 °C.
- Ne faites pas fonctionner la pompe sans surveillance pendant de longues périodes.
- Le câble ne doit pas être remplacé ni réparé et aucune modification ne peut être apportée au câble, telle que l'installation d'un commutateur ou autre.
- Ne pas épinglez ou plier le câble. Gardez-le loin des surfaces chaudes.
- N'utilisez pas le câble pour transporter la pompe.
- Ne pas suspendre la pompe sur le câble si elle n'est pas utilisée. Protégez la pompe contre le gel.

- Protégez la pompe contre la marche à sec. La pompe doit être immergée sous l'eau pendant le fonctionnement.
- Retirez la batterie avant de nettoyer la pompe ou de l'utiliser longtemps.
- Si la pompe elle-même ou le câble sont endommagés, ne l'utilisez plus et faites-les réparer par un spécialiste ou contactez le service clientèle de Batavia. Ne démontez pas la pompe et n'essayez pas de réparer vous-même.
- Manipulez la pompe avec soin. Ne laissez pas tomber la pompe et ne l'exposez pas à la pression, à d'autres charges mécaniques, à la chaleur ou au froid extrême.
- Rangez la batterie et la pompe dans un endroit frais et sec à l'intérieur.

## 4. Précautions pour la batterie, l'alimentation et le chargeur

- Vérifiez que la tension du secteur correspond à celle qui figure sur la plaque signalétique de l'appareil. Branchez le chargeur de la batterie à une prise secteur de 100 à 240 VAC.
- Utilisez uniquement la batterie et le chargeur qui sont fournis avec le pompe à eau.
- Si la batterie n'est pas installée dans le pompe à eau et n'est pas en usage, vous devez la garder éloignée des objets métalliques tels que les trombones, les pièces de monnaie, les clés, les clous, les aiguilles, etc, qui pourraient court-circuiter les bornes.
- Un usage incorrect peut causer une fuite de liquide de la batterie. Évitez tout contact avec ce liquide. Lavez la peau avec de l'eau. Si les yeux ont été contaminés, consultez un médecin immédiatement.
- Si la batterie est défectueuse ou usagée, il faut la mettre au rebut conformément à la réglementation en vigueur.
- N'immergez pas la batterie dans de l'eau et ne la brûlez pas. Risque d'explosion !
- Remplacez immédiatement la batterie si elle est défectueuse.

- Le bloc d'alimentation est conçu spécialement pour être utilisé avec le pompe à eau. Ne tentez pas une charge/utilisation avec d'autres appareils. Ne tentez pas de charger la batterie avec d'autres types de chargeur.
- Si le chargeur de la batterie n'est pas en usage, débranchez-le de la prise secteur. Débranchez-la également avant de procéder au nettoyage ou à l'entretien du chargeur ou du bloc d'alimentation.
- Chargez, utilisez et entreposez la batterie uniquement à température ambiante entre 10 °C et 40 °C.
- Protégez la batterie et son chargeur de l'humidité. Ne faites pas fonctionner le chargeur de la batterie dehors.
- Prenez particulièrement soin de la batterie. Évitez de la faire tomber sur une surface dure et ne la soumettez pas à la pression ou à aucune autre forme de contrainte. Protégez la batterie des températures extrêmement chaudes et froides.
- N'ouvrez pas et ne tentez pas de réparer la batterie ou le chargeur de la batterie. Si l'une des pièces est endommagée, faites-la réparer par un technicien qualifié ou contactez notre service après-vente.
- Utilisez les outils uniquement avec les blocs-batteries conçus spécifiquement pour eux. L'utilisation d'un autre bloc-batterie peut constituer un risque de blessure et d'incendie.
- Lors de la mise au rebut d'une batterie, suivez les instructions données dans la section « Mise au rebut ».
- Si l'outil électrique va être rangé et ne va pas être utilisé pendant longtemps, sortez la batterie.
- Important – Danger ! Ne court-circuitez jamais la batterie et ne l'exposez jamais à l'humidité. Ne l'entreposez pas avec des pièces métalliques qui pourraient court-circuiter les contacts. La batterie pourrait surchauffer, commencer à brûler ou exploser.

## 5. Avant la première utilisation

Déballez la pompe de la citerne pluviale et vérifiez que toutes les pièces ne sont pas endommagées pendant le transport. Garder les matériaux d'emballage hors de la portée des enfants. Il existe un risque de suffocation !

## 6. Contenu de la livraison

- 1× Pompe
- 1× Batterie
- 1× Chargeur
- 1× Serre-joint
- 1× Tube d'extension
- 1× Mode d'emploi

## 7. Utilisation

- La pompe de la citerne pluviale est conçue pour pomper uniquement de l'eau claire.
- La pompe de la citerne pluviale est destinée à pomper l'eau de pluie d'un réservoir d'eau pluviale ou d'un réservoir de collecte d'eau pluviale. Elle est particulièrement adaptée pour l'arrosage des plantes dans le jardin.
- Elle n'est pas destinée à l'acheminement d'eau salée, de liquides corrosifs, facilement inflammables ou explosifs (essence, paraffine, diluants, etc.), de surfaces, d'huile, d'huile de chauffage ou de produits alimentaires.
- Cette pompe n'est pas destinée à un usage commercial ou industriel.
- La pompe n'est pas adaptée à un fonctionnement continu, par exemple pour les cours d'eau dans les bassins de jardin.
- L'utilisation prévue comprend également une utilisation conforme au mode d'emploi. Toute utilisation en dehors de ces paramètres (différents milieux, application de la force) ou toute modification (reconstruction, pas d'accessoire d'origine) peut entraîner des risques graves et est considérée comme une utilisation contraire à l'usage auquel elle est destinée.

## 8. Chargement de la pile

(Voir Fig. B).

Avant d'utiliser la pompe pour la première fois, chargez complètement la batterie.

- 8.1 Branchez le chargeur de batterie (9) à une prise murale. La LED s'allume en vert pour indiquer que l'appareil est sous tension.
- 8.2 Connectez la batterie (11) au chargeur de pile. La LED s'allume en rouge pour indiquer que la batterie est en cours de chargement. Chargez la batterie pendant env. 6 heures. Lorsque la batterie est complètement chargée, la LED s'allume en vert.
- 8.3 Après la charge, déconnectez le chargeur de l'unité et débranchez-le de l'alimentation électrique.

## 9. Assemblage

(Voir Fig. C).

- 9.1 Avant chaque utilisation, vérifiez que la pompe n'est pas endommagée. N'utilisez pas la pompe endommagée.
- 9.2 Placez la rondelle d'étanchéité (10) sur le corps de pompe (7) et vissez l'écrou (6) sur le corps.
- 9.3 Raccordez fermement le tuyau (non fourni) à utiliser pour le pompage de l'eau au raccord rapide de la vanne d'arrêt (1).
- 9.4 Pour plus de longueur, vous pouvez ajouter le tube d'extension (14) optionnel.

## 10. Fonctionnement

(Voir Fig. D).

- 10.1 Placez la pompe de la citerne pluviale sur une surface plane dans la réserve d'eau que vous voulez pomper. Assurez-vous que la pompe ne peut pas bouger pendant le fonctionnement. Tenez compte de la profondeur d'immersion maximale. Veillez toujours à ce que l'ouverture d'aspiration (8) ne soit pas bloquée ou obstruée pendant le fonctionnement. Si nécessaire, posez la pompe sur une brique ou sur une surface similaire.

10.2 Faites couler le tuyau d'arrosage pour arroser les plantes. Respectez la hauteur maximale de livraison.

10.3 Ouvrez la vanne d'arrêt (1).

10.4 Insérez la pile (11) dans le compartiment à piles (4). Pour mettre en marche la pompe de la citerne pluviale, appuyez sur le commutateur MARCHE/ARRÊT (2) dans la direction I. Pour arrêter la pompe, poussez le commutateur (2) dans la direction O. (Voir Fig. E).

10.5 Lorsque vous ne l'utilisez pas, retirez la pile de son compartiment. Appuyez sur le bouton de déverrouillage de la pile et retirez-la du compartiment.

- Veillez à ce que l'eau et l'humidité ne pénètrent pas dans l'unité de commande.
- Veillez à ce qu'aucune particule de plus de 1 mm ne soit aspirée dans la pompe.
- Ne tirez jamais la pompe de la citerne pluviale par le cordon.
- Évitez de faire fonctionner la pompe à sec ! Le fonctionnement à sec signifie que la pompe fonctionne sans eau dans le boîtier.

## 11. Utilisation du serre-joint

Si nécessaire, fixez la pompe de la citerne pluviale sur la citerne pluviale à l'aide du serre-joint fourni (12).

Vissez la vis de serrage (13) à l'aide d'une clé hexagonale appropriée (taille 5) à la main sur la citerne pluviale. Le serre-joint protège la pompe contre le basculement.

## 12. Indicateur de la capacité de la batterie

La LED allumée indique la capacité de la pile.


LED	4	3	2	1
Capacité	100 %	75 %	50 %	25 %

Lorsque la quatrième et dernière LED s'éteint, la pompe s'arrête de fonctionner. Commutateur de la pompe. Retirez la pile du compartiment et chargez-la.

### 13. Entretien, nettoyage, rangement et transport

- Retirez la pile du compartiment lorsque vous effectuez toutes sortes de travaux d'entretien et avant de la nettoyer.
- Utilisez uniquement un chiffon légèrement humidifié pour nettoyer le boîtier de l'appareil. N'utilisez pas de métal ou d'objets tranchants afin de ne pas endommager les surfaces. N'utilisez pas de produits chimiques agressifs ou de produits similaires.
- La pompe ne contient aucune pièce réparable par vous. Ne démontez pas la pompe et n'essayez pas de la réparer vous-même. Les réparations doivent être effectuées uniquement par un professionnel.
- La pompe ne nécessite pas d'entretien, à l'exception du nettoyage du boîtier et du filtre. Pour nettoyer le filtre, dévissez le couvercle du filtre (8) en le tournant dans le sens inverse des aiguilles d'une montre. Nettoyez le filtre à l'eau claire et rattachez-le à la pompe de la citerne pluviale. (Voir Fig. G).
- Veuillez noter que le sable, la boue ou les sédiments en suspension dans l'eau pompée peuvent affecter son débit.
- Ne transportez, soulevez, ni ne suspendez jamais la pompe par le cordon.
- Rangez la pompe dans un endroit sec, à l'abri de la poussière, de la saleté et du gel. Rangez l'appareil hors de la portée des enfants.

### 14. Caractéristiques techniques

Tension nominale : . . . . . 12 VDC  
 Puissance nominale : . . . . . 50 W  
 Classe de protection: . . . . .   
 Degré de protection Unité de contrôle: . IPX4  
 Degré de protection de la pompe: . . . . . IPx8  
 Taille de connexion: . . . . . G 3/4"  
 Diamètre du tuyau: . . . . . 17 mm  
 Max. Débit de pompe: . . . . . 1500 L / H  
 Max. Hauteur de pompe: . . . . . 11M  
 Max. Profondeur de l'immersion: . . . . . 1 m  
 Max. Température du fluide: . . . . . 35 °C  
 Durée de fonctionnement environ: . . 35 min.  
 Type de batterie: . . . . . Li-Ion  
 Temps de charge environ: . . . . . 5 heures

### 15. Élimination et recyclage



***N'éliminez pas les appareils électriques via les ordures ménagères.***

L'appareil électrique se trouve dans un emballage afin d'éviter tout dommage pendant le transport. Cet emballage est une matière première et peut donc être réutilisé ultérieurement ou être réintroduit dans le circuit des matières premières. L'appareil électrique et ses accessoires sont composés de plusieurs matériaux, par exemple des métaux et des matières plastiques. Éliminez les composants défectueux via les systèmes d'élimination des déchets spéciaux. Renseignez-vous dans un magasin spécialisé ou auprès de l'administration de votre commune!

#### 15.1 Batteries

Lors de l'élimination des batteries, pensez à la protection de l'environnement. Pour une élimination écologique, adressez-vous aux autorités locales.

## 16. CE-Déclaration de conformité

Nous, **Batavia B.V., Weth. Wassebaliestraat 6d, NL-7951 SN Staphorst, Netherlands**, déclarons sous notre seule responsabilité que le produit **Pompe à eau, article no. 7063549, modèle BT-RBP001**, satisfait les principales exigences de protection définies dans les directives européennes **Electromagnetic Compatibility 2014/30/EU (EMC), 2014/35/EC (LVD), 2011/65/EU (RoHS)**, ainsi que les modifications y apportées. Pour évaluer la conformité nous avons eu recours aux normes harmonisées ci-dessous:

**EN 55014-1:2017**

**EN 55014-2:2015**

**EN 61000-3-2:2014**

**EN 61000-3-3:2013**

**EN 60335-1:2012+A11+A13**

**EN 60335-2-41:2003+A1+A2**

**EN 62233:2008**

Staphorst, le 6 juillet 2021



Meino Seinen, Responsable de qualité  
Batavia B.V., Weth. Wassebaliestraat 6d,  
7951 SN Staphorst, Pays-Bas

Le produit et le manuel utilisateur peuvent être modifiés. Les caractéristiques techniques peuvent être modifiées sans préavis.

## Geachte klant

Gebruikershandleidingen verstrekken nuttige tips m.b.t. gebruik van uw nieuwe apparaat. Ze helpen u alle functies te gebruiken, misverstanden te voorkomen en beschadiging te vermijden. Neem de tijd deze handleiding zorgvuldig te lezen en bewaar het als naslagwerk.

### Lees alstublieft alle veiligheidsinstructies!

Deze handleiding bevat belangrijke informatie over het bedienen en hanteren van het apparaat. Bewaar deze gebruiksaanwijzing voor verdere verwijzing. Gelieve het samen met het toestel door te geven als deze aan derden wordt overhandigd.

## 1. Uitleg van de symbolen

De volgende symbolen worden gebruikt in de gebruikershandleiding of op het product:



**WAARSCHUWING** – Lees de gebruiksaanwijzing om het risico op letsel te verminderen.



**Gevaar voor lichamelijk letsel of materiële schade wanneer de instructies in deze handleiding niet worden opgevolgd.**



**Elektrisch gereedschap in beschermingsklasse II. Dit teken geeft aan dat de machine voldoet aan beveiligingsklasse II. Dit betekent dat de machine is voorzien van verzwaarde of dubbele isolatie tussen het netstroomcircuit en de uitgangsspanning of de metalen behuizing.**



**CE staat voor: „Conformité Européenne“. Dit betekent: „Voldoet aan EU-richtlijnen“. Met de CE-markering bevestigt de fabrikant dat deze machine voldoet aan de geldende Europese richtlijnen.**



**De machine mag niet worden afgevoerd met het huishoudelijk afval.**

## 2. Algemene veiligheidsvoorschriften voor elektrisch gereedschap



**Waarschuwing! Lees alle instructies goed door!**

Het niet opvolgen van onderstaande instructies kan leiden tot een elektrische schok, brand en/of ernstig persoonlijk letsel! De term “elektrisch gereedschap” in onderstaande waarschuwingen heeft betrekking op zowel apparatuur met een vaste elektriciteitskabel als op apparatuur met een accu (draadloze apparatuur).

**Bewaar deze instructies.**

### 2.1 Werkgebied

- a. **Zorg voor een opgeruimde en goed verlichte werkomgeving.** Rommelige en donkere werkomgevingen leiden tot ongelukken.
- b. **Gebruik elektrisch gereedschap nooit in een omgeving waar explosiegevaar bestaat, zoals in de nabijheid van ontvlambare vloeistoffen, gassen, dampen of andere stoffen.** Elektrische gereedschappen kunnen vonken veroorzaken, die deze stoffen tot ontbranding kunnen brengen.
- c. **Wanneer u elektrisch gereedschap gebruikt, houd dan kinderen en omstanders op afstand.** Wanneer u wordt afgeleid, kunt u de controle over het gereedschap verliezen.

### 2.2 Elektrische veiligheid

- a. **Voorkom lichamelijk contact met geaarde oppervlakken van bijvoorbeeld pijpen, leidingen, radiatoren, fornuizen en koelkasten.** Wanneer uw lichaam geaard is, wordt de kans op een elektrische schok groter.
- b. **Stel elektrische gereedschappen nooit bloot aan regen of vocht.** Wanneer er water binnendringt in een elektrisch gereedschap, wordt de kans op een elektrische schok groter.

### 2.3 Persoonlijke veiligheid

- a. **Blijf altijd alert, kijk goed wat u doet en gebruik uw gezonde verstand wanneer u een elektrisch gereedschap gebruikt. Gebruik geen elektrische gereedschappen wanneer u moe bent,**

- of drugs, alcohol of medicijnen hebt gebruikt.** Eén moment van onachtzaamheid bij het gebruik van elektrische gereedschappen kan ernstige verwondingen tot gevolg hebben.
- b. **Gebruik veiligheidsvoorzieningen. Draag altijd een veiligheidsbril.** Een gepast gebruik van veiligheidsvoorzieningen, zoals een stof-masker, speciale werkschoenen met antislip-zolen, een veiligheidshelm en gehoor-bescherming verkleinen de kans op persoonlijk letsel.
  - c. **Voorom dat het gereedschap per ongeluk wordt gestart. Zorg dat de schakelaar op de UIT-positie staat, voordat u de stekker in het stopcontact steekt.** Draag elektrisch gereedschap nooit met uw vinger op de schakelaar en steek ook nooit de stekker van ingeschakelde elektrische gereedschappen in het stopcontact: dit leidt tot ongelukken.
  - d. **Verwijder alle instel- en andere sleutels uit het elektrisch gereedschap voordat u hem inschakelt.** Instel- en andere sleutels aan een ronddraaiend onderdeel van het elektrisch gereedschap kunnen tot verwondingen leiden.
  - e. **Zorg dat u nooit uw evenwicht kunt verliezen; houd altijd twee voeten stevig op de vloer.** Hierdoor kunt u het elektrisch gereedschap in onverwachte situaties beter onder controle houden.
  - f. **Zorg dat u geschikte kleding draagt. Draag geen loshangende kleding of sieraden. Houd uw haar, kleding en handschoenen uit de buurt van bewegende delen.** Loshangende kleding, sieraden en lang haar kunnen vast komen te zitten in bewegende delen.
  - g. **Wanneer er voorzieningen zijn voor de aansluiting van stofafzuiginstallaties, zorg dan dat ze op de juiste wijze worden aangesloten en gebruikt.** Gebruik van deze voorzieningen vermindert de gevaren die door stof worden veroorzaakt.
- 2.4 Gebruik en onderhoud van elektrisch gereedschap**
- a. **Oefen geen overmatige kracht uit op elektrisch gereedschap. Gebruik het juiste gereedschap voor uw specifieke toepassing.** Met het juiste elektrische gereedschap voert u de taak beter en veiliger uit wanneer dit op de snelheid gebeurt waarvoor het apparaat is ontworpen.
  - b. **Gebruik nooit elektrisch gereedschap waarvan de AAN/UIT-schakelaar niet werkt.** Ieder elektrisch gereedschap dat niet kan worden in- en uitgeschakeld met de schakelaar is gevaarlijk en moet worden gerepareerd.
  - c. **Berg elektrisch gereedschap dat niet in gebruik is op buiten bereik van kinderen en laat personen die niet bekend zijn met het gereedschap of deze instructies het apparaat niet gebruiken.** Elektrisch gereedschap is gevaarlijk in de handen van ongeofende gebruikers.
  - d. **Zorg voor een goed onderhoud van elektrisch gereedschap. Controleer of bewegende delen op de juiste wijze zijn vastgezet. Controleer ook of er geen onderdelen defect zijn of dat er andere omstandigheden zijn die van invloed kunnen zijn op de werking van het gereedschap. Laat het gereedschap bij beschadigingen repareren vóór gebruik.** Veel ongelukken worden veroorzaakt door slecht onderhoud van het gereedschap.
  - e. **Gebruik alle elektrische gereedschappen, accessoires, bitjes etc., zoals aangegeven in deze instructies en op de wijze waarvoor het gereedschap is ontworpen. Houd daarbij rekening met de werkomstandigheden en de uit te voeren taak.** Gebruik van elektrisch gereedschap voor handelingen die afwijken van de taken waarvoor het apparaat is ontworpen kunnen leiden tot gevaarlijke situaties.
- 2.5 Service**
- a. **Neem contact op met een gekwalificeerd specialist die originele onderdelen gebruikt bij de reparatie van uw elektrisch gereedschap.** Dit garandeert een goede werking van het apparaat.

### 3. Aanvullende veiligheidsvoorschriften



Lees deze handleiding zorgvuldig door en gebruik het apparaat alleen zoals uitgelegd in deze handleiding.

- De pomp is ontworpen voor het pompen van schoon water. De pomp is niet bedoeld voor het leveren van zout water, bijtende, licht ontvlambare of explosieve vloeistoffen (bijvoorbeeld benzine, paraffine, verdunners), uitwerpselen, olie, verwarmingsolie of voedingsmiddelen.
- Gebruik de pomp niet voor het afleveren van vaste stoffen. Grind, zand en dergelijke kunnen de pomp beschadigen.
- Zorg ervoor dat de temperatuur van het te leveren water niet hoger is dan 35 °C.
- Gebruik de pomp niet langdurig zonder toezicht.
- Vervang het snoer niet en repareer deze niet. Het is niet toegestaan om het snoer te wijzigen door een schakelaar of iets dergelijks te installeren.
- Knijp of krimp het snoer op geen enkele manier.
- Gebruik het snoer niet om de pomp ermee op te tillen of te vervoeren.
- Hang de pomp niet op aan het snoer.
- Bescherm de pomp tegen bevriezing.
- Laat de pomp niet drooglopen. Houd de pomp tijdens bedrijf altijd volledig ondergedompeld in het water.
- Verwijder de accu uit de pomp als u deze schoonmaakt of niet gebruikt voor een langere periode.
- Als de pomp zelf of het snoer beschadigd raakt, gebruik de pomp dan niet en laat deze door een vakman repareren of neem contact op met de Batavia klantenservice. Demonteer het apparaat niet en probeer het zelf niet te repareren.
- Wees extra voorzichtig met het apparaat. Laat het niet op een hard oppervlak vallen en stel het niet bloot aan druk of enige andere vorm van mechanische belasting. Houd het apparaat uit de buurt van extreme hitte of kou.

- Bewaar het apparaat binnen en op een koele en droge plaats.

### 4. Veiligheidsopmerkingen voor de batterij, de voeding en de oplader

- Controleer of de netspanning overeenkomt met de spanning die op het typeplaatje wordt weergegeven. Sluit de oplader alleen aan op een 100 – 240 VAC stopcontact.
- Gebruik alleen de batterij en oplader die met de waterpomp worden meegeleverd.
- Houd de batterij, indien deze niet in de waterpomp is geplaatst en niet wordt gebruikt, uit de buurt van metalen objecten zoals paperclips, munten, sleutels, spijkers en dergelijken, deze kunnen de terminals laten kortsluiten.
- Wanneer er sprake is van onjuist gebruik, kan er vloeistof uit de batterij lekken. Vermijd contact met deze vloeistof. Was de huid met water. Als er contact met de ogen is geweest, raadpleeg dan onmiddellijk een dokter.
- Een defecte of versleten batterij moet worden weggegooid in overeenstemming met de relevante regelgeving.
- Laat de batterij niet onder water onderdompelen en verbrand de batterij niet. Er is explosiegevaar!
- Vervang de defecte batterij onmiddellijk (bijv. een defecte behuizing).
- De batterij is speciaal ontworpen voor gebruik met de waterpomp. Gebruik deze niet met andere apparaten. Laad de batterij niet op met andere soorten opladers.
- Als de oplader niet in gebruik is, koppelt u deze los van de voeding. Koppel de oplader ook los tijdens het reinigen of onderhoud van de oplader of de batterij.
- U mag de batterij alleen opladen, gebruiken en opbergen bij een kamertemperatuur tussen de 10 °C en 40 °C.
- Bescherm de batterij en oplader tegen vochtigheid. Gebruik de oplader niet buitenshuis.

- Wees voorzichtig met de batterij. Zorg dat de oplader niet op een hard oppervlak valt en niet onder druk of een andere vorm van mechanische druk komt te staan. Houd de batterij uit de buurt van extreme hitte en kou.
- Maak de batterij of de oplader niet open en probeer deze niet te repareren. Als onderdelen beschadigd zijn, laat ze dan repareren door een gekwalificeerd technicus of neem contact op met de klantenservice.
- Gebruik elektrisch gereedschap alleen met de specifiek toegewezen batterijen. Gebruik van andere batterijen kan letsel of brand veroorzaken.
- Wanneer u de batterijen weggooit, volg dan de instructies die worden gegeven in de sectie 'Weggooiden'.
- Als het elektrisch gereedschap langere tijd ongebruikt moet worden opgeborgen, moet u de batterij verwijderen uit het apparaat.
- Belangrijk Gevaar! Laat de batterij nooit kortsluiten en stel deze niet bloot aan vocht. Bewaar de batterij niet samen met metalen onderdelen, hierdoor kunnen de contacten kortsluiten. De batterij kan oververhit raken, doorbranden of exploderen.

## 5. Voor het eerste gebruik

Pak de waterpomp uit de verpakking en controleer alle onderdelen op eventuele transportschade. Houd verpakkingsmateriaal buiten het bereik van kinderen. Er bestaat gevaar voor verstikking.

## 6. Inhoud verpakking

- 1x Waterpomp
- 1x Accu
- 1x Oplader
- 1x Klem
- 1x Verlengbuis
- 1x Gebruiksaanwijzing

## 7. Beoogd gebruik

- De regentonpomp is alleen bedoeld voor het pompen van schoon water.
- De regentonpomp is bedoeld voor het verpompen van water uit een opvangbak en geschikt voor besproeien van planten in de tuin.
- Het is niet bedoeld om zout water, bijtende, licht ontvlambare of explosieve vloeistoffen (bijvoorbeeld benzine, paraffine, verdunners, enz.) olie, of voedingsmiddelen.
- Deze pomp is niet bedoeld voor commerciële of industriële doeleinden.
- De pomp is niet geschikt voor continue pompen.
- Het bedoelde gebruik bevat ook een handeling volgens de handleiding. Elk gebruik dat verder gaat zoals bijvoorbeeld gebruik van geweld of wijzigingen aan de pomp brengen, kunnen tot ernstige risico's leiden.

## 8. Accu opladen

(Zie Fig. B).

Voordat u de pomp voor de eerste keer gebruikt, moet u de batterij volledig opladen.

- 8.1 Sluit de batterijlader (9) aan op een stopcontact. De LED licht groen op om aan te geven dat de stroom is ingeschakeld.
- 8.2 Sluit de batterij (11) aan op de acculader. De LED licht rood op om aan te geven dat de accu wordt opgeladen. Laad de accu in circa 6 uur op. De LED licht groen op zodra de accu vol is.
- 8.3 Koppel na het laadproces de oplader los van de accu en haal de stekker uit het stopcontact.

## 9. Montage

(Zie Fig. C).

- 9.1 Controleer voor elk gebruik de pomp op eventuele schade. Gebruik de pomp niet in geval van schade.
- 9.2 Plaats de afdichtingsring (10) op het pomphuis (7) en schroef de moer (6) op het huis.
- 9.3 Maak de slang (niet meegeleverd) stevig vast om zodat water weggepompt kan worden naar de snelkoppeling (1).
- 9.4 Voor extra lengte kunt u de optionele verlengbuis (14) toevoegen.

## 10. In werking stellen

(Zie Fig. D).

- 10.1 Plaats de waterpomp op een vlak oppervlak in het water. Zorg ervoor dat de pomp tijdens het gebruik niet kan wegen/ omvallen. Let op de onderdompelingsdiepte. De aanzuigopening (8) dient tijdens in tijdens werking niet geblokkeerd of belemmerd wordt.
- 10.2 Laat de slang lopen om de planten water te geven/ om het water af te voeren.
- 10.3 Open de afsluiter (1).
- 10.4 Plaats de accu (11) op zijn plek (4). Om de waterpomp in te schakelen, drukt u de Aan / UIT schakelaar (2) in de richting O (Zie Fig. E).
- 10.5 Verwijder de accu wanneer u de pomp niet gebruikt. Druk op de ontgrendelingsknop op de accu en trek aan de accu om zo deze uit de compartiment te halen.
  - Zorg ervoor dat er geen water en vocht in het besturingseenheid kan komen.
  - Zorg ervoor dat er geen deeltjes groter dan ca. 1 mm in de pomp gezogen worden.
  - Trek de pomp nooit aan het snoer.
  - Voorkom drooglopen van de pomp! Bij drooglopen wordt de pomp zonder water in de behuizing gebruikt.

## 11. De klem gebruiken

(Zie Fig. F).

- 11.1 Bevestig indien nodig de regentonpomp op de regenton met de meegeleverde klem (12).
- 11.2 Draai de spanbout (13) met een geschikte inbussleutel (maat 5) handvast op de regenton. De klem beschermt de pomp tegen kantelen.

## 12. Accu capaciteit indicator

De Verlichte LED geeft de batterijcapaciteit aan.

LED	4	3	2	1
Capaciteit	100 %	75 %	50 %	25 %

Wanneer de vierde en laatste LED uitgaat, stopt de pomp met werken. Schakel de pomp uit en verwijder de batterij uit het vak en laat deze op.

## 13. Onderhoud, reiniging, opslag en transport

- Verwijder de accu uit het compartiment voor onderhoudswerkzaamheden en voor het schoonmaken.
- Gebruik alleen een licht bevochtigde doek om de behuizing van het apparaat te reinigen. Gebruik geen metalen of scherpe voorwerpen om de oppervlakken niet te beschadigen. Gebruik geen agressieve chemicaliën of soortgelijke materialen.
- De pomp bevat geen onderdelen die door u kunnen worden onderhouden. Demonteer de pomp niet en probeer deze niet zelf te repareren. Reparaties mogen alleen door een professional worden uitgevoerd.
- De pomp heeft geen onderhoud nodig afgezien van het reinigen van de behuizing en het filter. Voor het reinigen van het filter, schroeft u het filterdeksel (8) los door tegen de klok in te draaien. Reinig het filter met schoon water en bevestig het filter opnieuw aan de regentonpomp (Zie Fig. G).
- Houd er rekening mee dat zand, modder of gesuspendeerd sediment in het verpompte water van invloed kan zijn op de afgiftesnelheid.

- De pomp nooit aan het snoer dragen, optillen of ophangen.
- Bewaar de pomp op een droge plaats die is beschermd tegen stof, vuil en vorst. Bewaar de unit buiten het bereik van kinderen.

## 14. Technische gegevens

Nominale spanning:	12 VDC
Nominaal vermogen:	50 W
Beschermingsklasse:	III
Beschermingsklasse bedieningspaneel:	IPX4
Beschermingsklasse pomp:	IPX8
Verbindingsgrootte:	G3/4"
Diameter pijp:	17 mm
Maximaal wateropbrengst:	1500 L/H
Max. opvoerhoogte:	11 meter
Max. dompel diepte:	1 meter
Max. aanzuig delen:	max 1 mm
Max. vloeistof temperatuur:	35 °C
Gebruikstijd:	35 min
Opladtid:	.5 uur

## 15. Afvalverwerking en hergebruik



*De machine mag niet worden afgevoerd met het huishoudelijk afval.*

De machine bevindt zich in een verpakking om transportschade te vermijden. Deze verpakking is grondstof en is dus herbruikbaar of kan weer in de grondstoffenkringloop teruggevoerd worden. De machine en zijn accessoires bestaan uit verschillende materialen, zoals bijv. metaal en kunststoffen. Voer defecte onderdelen af als gevaarlijke stoffen. Vraag bij de vakhandel of op het gemeentehuis om meer informatie!

### 15.1 Batterijen

Denk bij het afvoeren van batterijen aan de bescherming van het milieu. Neem voor milieuvriendelijke afvoer contact op met de lokale overheid.

## 16. EG-Conformiteitsverklaring

Hiermee verklaren wij, **Batavia B.V., Weth. Wassebaliestraat 6d, NL-7951 SN Staphorst, Nederlands** dat het apparaat **Waterpomp, Item-No 7063549, Model Nr. BT-RBP001** op grond van zijn ontwerp en bouwwijze en in de door ons in omloop gebrachte uitvoering voldoet aan de desbetreffend van toepassing zijnde fundamentele veiligheids- en gezondheidsvereisten van de EG-richtlijnen: **Electromagnetic Compatibility 2014/30/EU (EMC), 2014/35/EC (LVD), 2011/65/EU (RoHS),**. Voor de evaluatie van de conformiteit zijn de volgende geharmoniseerde normen toegepast:

**EN 55014-1:2017**  
**EN 55014-2:2015**  
**EN 61000-3-2:2014**  
**EN 61000-3-3:2013**  
**EN 60335-1:2012+A11+A13**  
**EN 60335-2-41:2003+A1+A2**  
**EN 62233:2008**  
 Staphorst, 6 juli 2021

Technische documentatie bewaard door:  
 Meino Seinen, Batavia B.V.,  
 Weth. Wassebaliestraat 6d, 7951 SN  
 Staphorst, Nederland  
 Het product en de gebruiksaanwijzing kunnen wijzigen. De technische gegevens kunnen zonder voorafgaande aankondiging worden gewijzigd.

## Gentile cliente

Leggendo accuratamente tutti i capitoli del presente manuale nell'ordine presentato, potrà acquisire dimestichezza con il corretto uso del dispositivo. La invitiamo a conservare queste istruzioni di utilizzo per successive consultazioni.

### Leggere tutte le istruzioni di sicurezza.

Il presente manuale contiene informazioni importanti sull'utilizzo e la gestione del dispositivo. La invitiamo a conservare queste istruzioni di utilizzo per successive consultazioni. In caso di trasferimento dell'unità a terzi, dovrà essere ceduto anche il manuale.

## 1. Spiegazione dei simboli

I seguenti simboli sono utilizzati nel manuale di istruzioni e sul prodotto:



**Avviso!** Per ridurre il rischio di lesioni, l'utente deve leggere le istruzioni del presente manuale.



Indica il rischio di lesioni personali, morte o danni all'apparecchio derivante dal mancato rispetto delle istruzioni contenute nel presente manuale.



Utensile elettrico, classe di protezione II. Questo simbolo indica che la presente unità appartiene alla categoria di Classe di protezione II. Questo vuol dire che l'unità è dotata di un sistema di isolamento rinforzato o doppio tra il circuito elettrico e la tensione di uscita o l'alloggiamento metallico rispettivamente.



CE è l'abbreviazione di Conformità Europea e ha il significato di "Ai sensi dei regolamenti dell'Unione Europea". Attraverso la marcatura CE, il produttore attesta che il presente utensile elettrico è conforme alle direttive europee vigenti.



Non smaltire gli utensili elettrici con i normali rifiuti domestici.

## 2. Istruzioni di sicurezza generali per utensili elettrici



**AVVISO!** Leggere attentamente le istruzioni!

La mancata osservanza di tutte le istruzioni elencate di seguito può generare il rischio di scosse elettriche, incendio e/o gravi lesioni fisiche.

Il termine "utensile elettrico" in tutte le avvertenze elencate di seguito si riferisce agli utensili elettrici alimentati a corrente (con filo) o agli utensili alimentati a batteria (senza fili).

**Conservare il manuale per futura consultazione!**

### 2.1 Area di lavoro

- Assicurarsi che l'area di lavoro sia sempre pulita e ben illuminata.** Aree di lavoro disordinate e buie favoriscono il generarsi di incidenti.
- Non utilizzare utensili elettrici in ambienti esplosivi, come ad esempio in presenza di liquidi, gas o polveri infiammabili.** Gli utensili elettrici generano scintille che possono incendiare la polvere o i fumi.
- Tenere i bambini e i passanti lontano dall'area di lavoro durante l'uso di un utensile elettrico.** Eventuali distrazioni possono causare la perdita di controllo dell'utensile.

### 2.2 Sicurezza elettrica

- Evitare il contatto tra il corpo e le superfici messe a terra come tubature, caloriferi, fornelli e frigoriferi.** Il rischio di scosse elettriche aumenta se il corpo è a terra.
- Non esporre gli utensili elettrici alla pioggia o all'umidità.** L'acqua che entra in un utensile elettrico aumenta il rischio di scosse elettriche.

### 2.3 Sicurezza personale

- Prestare attenzione, concentrarsi e usare il buon senso quando si usa un utensile elettrico. Non usare alcun utensile elettrico quando si è stanchi o sotto l'influenza di droghe, alcool o farmaci.** Un momento di disattenzione

durante l'uso degli utensili elettrici può provocare gravi lesioni alla persona.

- b. **Usare i dispositivi di sicurezza. Indossare sempre una protezione per gli occhi.** L'uso di dispositivi di protezione adeguati, quali maschere antipolvere, scarpe antiscivolo, casco antinfortunistico o dispositivi per la protezione dell'udito, ridurrà il rischio di lesioni fisiche.
- c. **Evitare l'avvio accidentale. Assicurarsi che l'interruttore sia spento prima di collegare l'utensile.** Se gli utensili elettrici vengono trasportati tenendo il dito sull'interruttore, o se vengono collegati all'alimentazione quando l'interruttore è acceso, possono verificarsi incidenti.
- d. **Prima di accendere l'utensile elettrico rimuovere le chiavi di regolazione o le chiavi inglesi.** Una sola chiave lasciata attaccata a una parte rotante dell'utensile elettrico può provocare lesioni alla persona.
- e. **Non sporgersi. Mantenere sempre una posizione e un equilibrio adeguati.** Ciò consente un migliore controllo dell'utensile elettrico in situazioni imprevedute.
- f. **Indossare abiti adeguati. Non indossare abiti larghi o gioielli. Tenere i capelli, i vestiti e i guanti lontano dalle parti in movimento.** Abiti larghi, gioielli o capelli lunghi possono impigliarsi nelle parti in movimento.
- g. **Se sono previsti dispositivi per il collegamento di impianti di aspirazione e raccolta delle polveri, assicurarsi che questi siano collegati e utilizzati correttamente.** L'uso di queste apparecchiature riduce i rischi causati dalla polvere.

#### 2.4 Uso e manutenzione dell'utensile elettrico

- a. **Non forzare l'utensile elettrico. Utilizzare l'utensile elettrico adatto all'applicazione.** L'utensile elettrico adatto eseguirà il lavoro meglio e in sicurezza alla velocità per cui è stato progettato.
- b. **Non utilizzare l'utensile elettrico se, premendo il corrispettivo pulsante, non si accende e non si spegne.** Gli

utensili elettrici il cui pulsante di avviamento è difettoso risultano pericolosi; di conseguenza, devono essere sottoposti a riparazione.

- c. **Conservare gli utensili elettrici inutilizzati fuori dalla portata dei bambini e non consentire a persone che non conoscono il funzionamento dell'utensile elettrico o le presenti istruzioni di farne uso.** Gli utensili elettrici sono pericolosi nelle mani di utenti inesperti.
- d. **Sottoporre a manutenzione ordinaria gli utensili elettrici. Verificare l'assenza di disallineamenti o blocchi delle parti in movimento, rotture e qualsiasi altra condizione che possa influire sul funzionamento degli utensili elettrici. Se danneggiato, far riparare l'utensile elettrico prima dell'uso.** Molti incidenti sono causati da utensili elettrici in cattivo stato di manutenzione.
- e. **Usare l'utensile elettrico, gli accessori, le punte, ecc. nel rispetto delle presenti istruzioni e secondo le modalità di utilizzo previste per questo particolare utensile, tenendo conto delle condizioni di lavoro e del tipo di intervento da eseguire.** L'uso dell'utensile elettrico per applicazioni diverse da quelle previste può generare situazioni pericolose.

#### 2.5 Assistenza

- a. **Rivolgersi ad un esperto qualificato che utilizza solo pezzi di ricambio originali per riparare l'utensile elettrico.** In questo modo sarà possibile garantire il corretto funzionamento dell'utensile elettrico.

### 3. Ulteriori avvertenze di sicurezza



Leggere attentamente il presente manuale e utilizzare l'unità attenendosi alle istruzioni in esso contenute.

- La pompa è stata pensata per pompare acqua pulita. Non utilizzare la pompa con acqua salata, liquidi corrosivi, facilmente infiammabili o esplosivi (ad es. benzina, paraffina, diluenti), feci, olio,

- olio per riscaldamento o prodotti alimentari.
- Non utilizzare la pompa con materiali solidi. Ghiaia, sabbia o materiali simili possono danneggiare la pompa.
  - Assicurarsi che la temperatura dell'acqua non sia superiore a 35 °C.
  - Non lasciare la pompa incustodita per un lungo periodo di tempo.
  - Non sostituire e non riparare il cavo. Non modificare il cavo installando un interruttore o in altro modo.
  - Non schiacciare o piegare il cavo in nessun modo. Tenere il cavo lontano dalla pompa in funzione.
  - Non utilizzare il cavo per trasportare la pompa.
  - In caso di inutilizzo, non appendere la pompa con il cavo.
  - Proteggere la pompa dal gelo.
  - Non utilizzare la pompa a secco. Durante l'uso, assicurarsi che la pompa sia sempre immersa in acqua.
  - Rimuovere la batteria dalla pompa per pulirla o in caso di inutilizzo prolungato.
  - Se la pompa o il cavo sono danneggiati, non utilizzare la pompa e richiederne la riparazione da parte di un esperto, oppure contattare il servizio assistenza di Batavia. Non smontare l'unità e non provare a ripararla per conto proprio.
  - Trattare l'unità con particolare cura. Non farla cadere su superfici dure e non sottoporla a pressione o ad altre forme di stress meccanico. Tenere l'unità al riparo da condizioni di caldo o freddo estremi.
  - Conservare il dispositivo in un ambiente interno fresco e asciutto.
- 4. Note di sicurezza relative alla batteria, all'alimentazione e al caricabatterie**
- Assicurarsi che la tensione di rete corrisponda alla tensione indicata sulla targhetta di identificazione. Collegare il caricabatterie ad una alimentatore di rete da 100 - 240 V CA.
  - Utilizzare unicamente la batteria e il caricabatterie forniti in dotazione con la pompa dell'acqua.
  - Quando la batteria non è inserita nella pompa dell'acqua e non viene utilizzata, conservarla lontano da oggetti metallici, come ad esempio graffette, monete, chiavi, chiodi e altri oggetti simili che potrebbero causare il cortocircuito dei terminali.
  - In caso di uso improprio, il liquido potrebbe fuoriuscire dalla batteria. Evitare il contatto con il liquido. Lavare la pelle con acqua. In caso di contatto con gli occhi, consultare immediatamente un medico.
  - Le batterie difettose o usurate devono essere smaltite in conformità con le normative vigenti.
  - Non immergere la batteria nell'acqua e non bruciarla. Vi è il pericolo di esplosione!
  - Sostituire immediatamente la batteria se presenta dei difetti (ad es. alloggiamento difettoso).
  - Il caricabatterie è pensato specificatamente per essere utilizzato con la pompa dell'acqua. Non utilizzarlo per caricare altri dispositivi. Non caricare la batteria con altri caricabatterie.
  - Se il caricabatterie non viene utilizzato, scollegarlo dalla rete di alimentazione. Inoltre, scollegarlo sempre durante la pulizia o la manutenzione dello stesso caricabatterie o dell'unità di alimentazione.
  - Caricare, utilizzare e conservare la batteria ad una temperatura ambiente compresa tra 10 °C e 40 °C.
  - Proteggere la batteria e il caricabatterie dall'umidità. Non utilizzare il caricabatterie all'esterno.
  - Trattare con particolare cura le batterie. Non farle cadere su superfici dure e non sottoporle a pressione o altri tipi di stress meccanico. Proteggere la batteria da condizioni di caldo o freddo estremo.
  - Non aprire e non provare a riparare la batteria o il caricabatterie. Tutte le parti

eventualmente danneggiate devono essere riparate da un tecnico qualificato, oppure si invita a contattare il nostro servizio assistenza.

- Utilizzare gli utensili elettrici solo con pacchi batteria appositamente ideati. L'uso di qualsiasi altro pacco batteria può causare lesioni e incendi.
- Per lo smaltimento delle batterie, seguire le istruzioni riportate nella sezione "Smaltimento".
- Rimuovere la batteria se l'utensile elettrico viene riposto e non viene utilizzato per un lungo periodo di tempo.
- Pericolo importante! Evitare corto circuiti della batteria e non esporla a umidità. Non conservare le batterie con oggetti metallici che potrebbero causare il corto circuito dei contatti. La batteria potrebbe surriscaldarsi, prendere fuoco o esplodere.

## 5. Operazioni preliminari al primo uso del prodotto

Disimballare la pompa per fusti di acqua piovana e verificare che non abbia subito danni durante il trasporto. Tenere il materiale di imballaggio fuori dalla portata dei bambini. Vi è il rischio di soffocamento!

## 6. Contenuto della confezione

- 1 pompa dell'acqua
- 1 batteria
- 1 caricabatterie
- 1 morsetto
- 1 tubo di estensione
- 1 istruzioni per l'uso

## 7. Destinazione d'uso

- La pompa per fusti di acqua piovana è pensata unicamente per pompare acqua pulita.
- La pompa per fusti serve a pompare acqua da un fusto o un serbatoio di raccolta dell'acqua piovana. È particolarmente adatta per irrigare le piante nei giardini.
- Non utilizzare la pompa con acqua salata, liquidi corrosivi, facilmente infiammabili o esplosivi (ad es. benzina, paraffina, diluenti, ecc.), feci, olio, olio per riscaldamento o prodotti alimentari.
- Questa pompa non è pensata per un uso commerciale o industriale.
- Questa pompa non è adatta per un uso continuo, ad esempio per i corsi d'acqua nei laghetti da giardino.
- L'utilizzo del dispositivo per gli scopi previsti deve sempre avvenire nel rispetto delle seguenti istruzioni operative. L'eventuale utilizzo al di fuori dei parametri specificati (uso di supporti diversi o applicazione di forze differenti) o l'apporto di eventuali modifiche (riasssemblaggio del dispositivo, impiego di accessori non originali) può causare gravi rischi e costituisce un uso diverso da quello previsto.

## 8. Ricarica della batteria

(Vedere Fig. B).

Prima di utilizzare la pompa per la prima volta, ricaricare completamente la batteria.

- 8.1 Collegare il caricabatterie (9) ad una presa a muro. Il LED si accenderà di verde per indicare che la pompa è accesa.
- 8.2 Collegare la batteria (11) al caricabatterie. Il LED si accenderà di rosso per indicare che la batteria si sta caricando. Lasciar caricare la batteria per circa 6 ore. Quando la ricarica della batteria è completa, il LED si accenderà di verde.
- 8.3 Successivamente, scollegare il caricabatterie dall'unità e dalla rete di alimentazione.

## 9. Montaggio

(Vedere Fig. C).

- 9.1 Prima di ogni utilizzo, controllare che la pompa non sia danneggiata. Non utilizzare la pompa in caso di danni.
- 9.2 Installare la rondella di tenuta (10) sul corpo della pompa (7) e svitare il dado (6) sul corpo stesso.
- 9.3 Inserire saldamente il tubo (non incluso) utilizzato per pompare l'acqua nel raccordo rapido della valvola di intercettazione (1).
- 9.4 Se si necessita di una maggiore lunghezza, aggiungere il tubo di estensione opzionale (14).

## 10. Uso

(Vedere Fig. D).

- 10.1 Posizionare la pompa per fusti di acqua piovana su una superficie piana, e immergerla nella sorgente di alimentazione dell'acqua che si desidera pompare. Assicurarsi che la pompa non possa muoversi durante il funzionamento. Fare attenzione alla massima profondità di immersione. Assicurarsi che l'apertura di aspirazione (8) non sia bloccata o ostruita durante l'uso della pompa. Se necessario, posizionare la pompa su un mattone o un oggetto simile.
- 10.2 Tirare il tubo di irrigazione per annaffiare le piante. Osservare la massima altezza di mandata.
- 10.3 Aprire la valvola di intercettazione (1).
- 10.4 Inserire la batteria (11) nel vano batteria (4). Per accendere la pompa per fusti di acqua piovana, portare l'interruttore di accensione/spegnimento (2) in posizione "1". Per spegnere la pompa, portare l'interruttore (2) in posizione "0" (vedere Fig. E).
- 10.5 In caso di inutilizzo, rimuovere la batteria dal vano batteria. Premere il pulsante di rilascio sulla batteria ed estrarre la batteria dal vano batteria.
  - Assicurarsi che l'acqua e l'umidità non penetrino nell'unità.
  - Fare attenzione a non aspirare con la pompa particelle più grandi di 1 mm.

- Non trasportare la pompa per fusti di acqua piovana tirando il cavo.
- Non far funzionare la pompa a secco! Funzionamento a secco significa che non c'è acqua nella pompa.

## 11. Uso del morsetto

(Vedere Fig. F).

- 11.1 Se necessario, fissare la pompa per fusti di acqua piovana sul fusto stesso utilizzando il morsetto (12) fornito in dotazione.
- 11.2 Avvitare la vite di serraggio (13) con una chiave a brugola adatta (dimensione 5) e stringere saldamente sul fusto. Il morsetto impedirà alla pompa di ribaltarsi.

## 12. Indicatore di capacità della batteria

Il LED acceso indica la capacità della batteria.

LED	4	3	2	1
Capacità	100%	75%	50%	25%

Quando il quarto e l'ultimo LED si spengono, la pompa smetterà di funzionare. Spegnimento della pompa. Rimuovere la batteria dal vano batteria e ricaricare la batteria.

## 13. Manutenzione, pulizia, conservazione e trasporto

- Rimuovere la batteria dal vano batteria prima di qualunque intervento di manutenzione o pulizia.
- Utilizzare unicamente un panno umido per pulire il corpo dell'unità. Non utilizzare oggetti metallici o affilati, per evitare di danneggiare le superfici. Non utilizzare sostanze chimiche aggressive o altri prodotti simili.
- La pompa non contiene parti che possono essere riparate dall'utente. Non smontare la pompa e non provare a ripararla per conto proprio. Le riparazioni devono essere eseguite soltanto da un esperto.
- La pompa non richiede ulteriori interventi di manutenzione, oltre alla pulizia del corpo e del filtro. Per pulire il filtro, svitare il coperchio del filtro (8) ruotandolo in senso antiorario. Pulire il filtro

con acqua pulita e installarlo nuovamente nella pompa per fusti di acqua piovana. (Vedere **Fig. G**).

- È importante ricordare che sabbia, fango o sedimenti sospesi nell'acqua pompata possono influenzare la portata.
- Non trasportare, sollevare o appendere la pompa utilizzando il cavo.
- Conservare la pompa in un ambiente asciutto e al riparo da polvere, sporco e gelo. Tenere l'unità fuori dalla portata dei bambini.

#### 14. Dati tecnici

Tensione nominale:	12 V CC
Potenza nominale:	50 W
Classe di protezione:	III
Grado di protezione dell'unità di controllo:	IPX4
Grado di protezione della pompa:	IPX8
Dimensioni del raccordo:	G 19,05 mm
Diametro del tubo:	17 mm
Portata massima della pompa:	1500 l/ora
Altezza massima della pompa:	11 m
Profondità massima di immersione:	1 m
Dimensioni massime delle particelle:	1 mm
Temperatura massima del fluido:	35° C
Tempo di funzionamento approssimativo:	35 min
Tipo di batteria:	Ioni di litio
Tempo di ricarica approssimativo:	5 ore

#### 15. Smaltimento



**Non smaltire gli utensili elettrici con i normali rifiuti domestici.**

L'utensile elettrico viene spedito in una confezione per ridurre i danni dovuti al trasporto.

Questo imballaggio è una materia prima e come tale può o essere riutilizzata o può essere reimmessa nel ciclo delle materie prime. L'utensile elettrico e i relativi accessori sono realizzati in vari materiali come metalli e plastiche. Portare i componenti difettosi a un punto di raccolta dei rifiuti. Chiedete informazioni su questi punti di raccolta al vostro negozio specializzato o Comune.

##### 15.1 Batterie

Smaltire le batterie rispettando le norme di protezione ambientale. Contattare le autorità locali per sapere dove si trova il centro di smaltimento batterie più vicino.

Non smaltire le batterie con i rifiuti domestici.

Non smaltire le batterie bruciandole, altrimenti potrebbero esplodere.

## 16. Dichiarazione di conformità CE

Noi sottoscritti **Batavia B.V., Weth. Wassebaliestraat 6d, NL-7951 SN Staphorst, Paesi Bassi**, dichiara, sotto la sua piena responsabilità, che la **pompa dell'acqua numero articolo 7063549, modello BT-RBP001**, soddisfa i requisiti essenziali definiti nella Direttiva europea sulla **Compatibilità Elettromagnetica 2014/30/UE (CEM)**, la **Direttiva 2014/35/CE (Direttiva Bassa Tensione)**, la **Direttiva 2011/65/UE (RoHS)** e relativi emendamenti. Per la valutazione di conformità, sono stati consultati i seguenti standard armonizzati europei:

**EN 55014-1:2017**

**EN 55014-2:2015**

**EN 61000-3-2:2014**

**EN 61000-3-3:2013**

**EN 60335-1:2012+A11+A13**

**EN 60335-2-41:2003+A1+A2**

**EN 62233:2008**

Staphorst, 6 luglio 2021



Meino Seinen, Rappresentante QA  
Batavia B.V., Weth. Wassebaliestraat 6d,  
7951 SM Staphorst, Paesi Bassi

Il prodotto e il manuale dell'utente possono essere soggetti a modifiche. I dati tecnici possono essere modificati senza preavviso.

## Estimado cliente:

Familiarícese con el uso adecuado del aparato leyendo todos los capítulos de este manual en el orden en el que se presentan. Conserve estas instrucciones para poder consultarlas con posterioridad.

### ¡Lea todas las instrucciones de seguridad!

Esta manual contiene información importante acerca de cómo operar y manipular el aparato. Conserve estas instrucciones para poder consultarlas con posterioridad. Si le cede el aparato a un tercero, entréguele también este manual.

## 1. Explicación de los símbolos

Los símbolos siguientes aparecen en el manual de usuario o en el producto:



*¡Advertencia! Lea el manual de instrucciones para reducir el riesgo de lesiones personales.*



*Indica el riesgo de lesiones personales, muerte o daño de la herramienta en caso de no observar las instrucciones recogidas en este manual.*



*Herramienta eléctrica con protección de Clase II. Este símbolo indica que la unidad cuenta con un grado de protección de Clase II. Esto significa que la unidad está equipada con un aislamiento reforzado, con un aislamiento doble entre el circuito de la red eléctrica y la tensión de salida o con una carcasa de metal respectivamente.*



*El marcado CE (Conformidad Europea) es indicativo de que se cumple con las normativas de la UE. Con el marcado CE, el fabricante confirma que esta herramienta eléctrica cumple con las directivas europeas aplicables.*



*No deseche las herramientas eléctricas junto a los residuos domésticos.*

## 2. Instrucciones generales de seguridad en materia de herramientas eléctricas



**¡ADVERTENCIA! ¡Lea todas las instrucciones!**

El incumplimiento de las instrucciones que se enumeran a continuación puede dar lugar a descargar eléctricas, incendios y lesiones personales graves.

El término «herramienta eléctrica» en todas las advertencias enumeradas a continuación hace referencia a su herramienta conectada a la red eléctrica mediante cable o alimentada mediante batería (inalámbrica).

**¡Guarde estas instrucciones para futuras consultas!**

### 2.1 Área de trabajo

- Mantenga el área de trabajo limpia y bien iluminada.** Las zonas desordenadas y oscuras suponen una invitación a los accidentes.
- No utilice herramientas eléctricas en atmósferas explosivas, por ejemplo, en presencia de líquidos, gases o polvos inflamables.** Las herramientas eléctricas emiten chispas que pueden encender el polvo de las emanaciones.
- Mantenga a los niños y los transeúntes alejados mientras utiliza una herramienta eléctrica.** Cualquier distracción podría hacerle perder el control.

### 2.2 Seguridad eléctrica

- Evite el contacto con superficies conectadas a tierra, por ejemplo, tuberías, radiadores, placas de vitrocerámica y refrigeradores.** Existe un mayor riesgo de descarga eléctrica si su cuerpo está conectado a tierra.
- No esponga las herramientas eléctricas a la lluvia ni a la humedad.** La entrada de agua en una herramienta eléctrica aumenta el riesgo de descargas eléctricas.

### 2.3 Seguridad personal

- Manténgase alerta, preste atención a lo que hace y use el sentido común al usar una herramienta eléctrica. No**

- utilice una herramienta si está cansado o bajo los efectos del alcohol, medicamentos o drogas.** Cualquier descuido durante el uso de una herramienta eléctrica puede dar lugar a lesiones personales graves.
- b. Utilice equipos de seguridad apropiados. Utilice protección ocular en todo momento.** Los equipos de seguridad como las mascarillas antipolvo, los zapatos de seguridad antideslizantes, los cascos o los protectores auditivos utilizados en condiciones adecuadas reducen el riesgo de lesiones personales.
  - c. Evite la puesta en marcha accidental. Asegúrese de que el interruptor esté en la posición de apagado antes de enchufar una herramienta.** Transportar una herramienta eléctrica con un dedo en el interruptor o enchufarla con el interruptor en posición de encendido puede dar lugar a accidentes.
  - d. Retire cualquier llave de ajuste o cualquier otra llave antes de encender la herramienta eléctrica.** Una llave que se haya dejado colocada en una pieza móvil de una herramienta eléctrica puede dar lugar a lesiones personales.
  - e. No se extralimite al usar una herramienta eléctrica. Mantenga un buen punto de apoyo y equilibrio en todo momento.** Así, tendrá un mejor control sobre el aparato en situaciones inesperadas.
  - f. Utilice ropa de trabajo adecuada. No utilice ropas flojas ni joyas. Mantenga su cabello, ropa y guantes alejados de las piezas móviles.** Las ropas sueltas, joyas y el cabello largo se pueden quedar atrapados en las piezas móviles.
  - g. Si un aparato cuenta con una conexión para la extracción de polvo y depósito de polvo, asegúrese de conectarlos y usarlos debidamente.** El uso de estas piezas del equipo reduce los peligros que supone el polvo.
- 2.4 Uso y cuidado de la herramienta eléctrica**
- a. No fuerce el aparato. Utilice la herramienta eléctrica adecuada en función del trabajo que se debe realizar.** Una herramienta eléctrica adecuada hará el trabajo mejor y de forma más segura si se observa la velocidad para la que se ha diseñado.
  - b. No utilice la herramienta eléctrica si el interruptor de encendido/apagado no funciona debidamente.** Cualquier herramienta eléctrica que no se pueda controlar con el interruptor de encendido/apagado entraña peligro, por lo que, imperativamente, debe repararse.
  - c. Cualquier herramienta eléctrica que no esté en uso debe guardarse fuera del alcance de los niños. Además, no permita que ninguna persona que no esté familiarizada con una herramienta eléctrica y sus instrucciones la utilice.** Las herramientas eléctricas son peligrosas en manos de usuarios no capacitados.
  - d. Garantice el debido mantenimiento de las herramientas eléctricas. Compruebe que no haya desalineación, atascamientos, roturas ni cualquier otra condición indebida en las piezas móviles que pueda afectar el funcionamiento de una herramienta eléctrica. En caso de avería, haga reparar la herramienta antes de usarla.** Muchos accidentes son debidos a un mal mantenimiento de las herramientas eléctricas.
  - e. Utilice la herramienta eléctrica, los accesorios, las brocas, etc. según lo recogido en estas instrucciones y de la forma prevista para el tipo particular de herramienta eléctrica, teniendo en cuenta las condiciones de trabajo y el trabajo que se ha de realizar.** El uso de la herramienta eléctrica en aplicaciones diferentes a las previstas puede dar lugar a situaciones peligrosas.
- 2.5 Mantenimiento**
- a. En caso de avería, encargue la reparación a un profesional cualificado que utilice recambios originales.** Esto

garantizará el adecuado funcionamiento de la herramienta eléctrica.

### 3. Advertencias de seguridad adicionales



Lea detenidamente este manual y solo use la unidad de conformidad con este.

- La bomba ha sido diseñada para bombear agua limpia. La bomba no está prevista para suministrar agua salada; líquidos corrosivos, inflamables y explosivos (por ejemplo, gasolina, parafina y diluyentes); heces; aceite; aceite de calefacción ni productos alimenticios.
- No utilice la bomba para suministrar sólidos. La grava, la arena y materiales similares pueden dañar la bomba.
- Asegúrese de que la temperatura del agua que desea bombear no exceda los 35 °C.
- No deje la bomba en funcionamiento durante mucho tiempo sin supervisión.
- No reemplace el cable ni trate de repararlo por su cuenta. No está permitido modificar el cable para colocar un interruptor u otro dispositivo similar.
- Evite cualquier atrapamiento del cable, de manera de no doblarlo ni pinzarlo. Mantenga el cable alejado.
- No utilice el cable para transportar la bomba.
- Si no va a utilizar la bomba, no la cuelgue por el cable.
- Proteja la bomba de las heladas.
- Evite que la bomba funcione en vacío. Durante el funcionamiento, siempre mantenga la bomba completamente sumergida en agua.
- Retire la batería de la bomba cuando la vaya a limpiar o si no la va a utilizar durante un periodo prolongado.
- Si se daña la bomba o el cable, suspenda el uso del aparato hasta que un profesional realice la reparación debida o hasta haberse puesto en contacto con el Departamento de Servicio al Cliente de Batavia. No desarme la unidad ni trate de repararla por su cuenta.

- Extreme los cuidados de la unidad. Evite que se caiga sobre cualquier superficie dura y no la someta a presión ni ninguna otra forma de esfuerzo mecánico. Mantenga la unidad alejada del calor y el frío extremos.
- Guarde el aparato en un lugar cerrado, fresco y seco.

### 4. Instrucciones de seguridad relativas a la batería, la fuente de alimentación y el cargador

- Asegúrese de que la tensión de la red se corresponda a la tensión de funcionamiento indicada en la placa de especificaciones. El cargador de baterías solo debe conectarse a una red de 100-240 VCA.
- Solo utilice la batería y el cargador suministrados con la bomba de agua.
- Cuando la batería no esté en uso ni insertada en la bomba de agua, deberá mantenerse alejada de objetos de metal como sujetapapeles, monedas, llaves, clavos, etc., ya que dichos objetos podrían cortocircuitar los terminales.
- Un uso inadecuado puede dar lugar a la fuga de líquido de la batería. Evite cualquier contacto con este líquido. De lo contrario, lave la piel con agua. En caso de contacto con los ojos, consulte con un médico de inmediato.
- Elimine las baterías defectuosas o desgastadas de acuerdo con las regulaciones aplicables.
- No sumerja la batería en agua ni la quemé. ¡Existe un riesgo de explosión!
- Reemplace las baterías defectuosas de inmediato.
- El cargador ha sido diseñado especialmente para la bomba de agua. No intente utilizarlo con otros dispositivos. No intente cargar la batería con otros tipos de cargadores.
- Desconecte el cargador de baterías de la toma de red cuando no esté en uso. También debe desconectarlo antes de realizar cualquier tarea de limpieza o mantenimiento del propio cargador o de la unidad de alimentación.

- Es imperativo cargar, usar y almacenar la batería a una temperatura ambiente entre 10 °C y 40 °C.
- Proteja la batería y su cargador de la humedad. No ponga el cargador de baterías en funcionamiento al aire libre.
- Extreme los cuidados de la batería. Evite que se caiga sobre cualquier superficie dura y no la someta a ninguna otra forma de esfuerzo mecánico. Mantenga la batería alejada del calor y el frío extremos.
- No abra ni intente reparar la batería ni su cargador. En caso de cualquier daño, encargue la reparación a un técnico cualificado o póngase en contacto con nuestro Departamento de Servicio al Cliente.
- Utilice las herramientas eléctricas únicamente con las baterías específicamente designadas. El uso de cualquier otro tipo de baterías entraña un riesgo de lesiones o incendio.
- Llegado el momento de eliminar una batería, observe las instrucciones recogidas en la sección «Eliminación».
- Retire la batería de la bomba si la va a guardar durante un periodo prolongado.
- ¡Peligro importante! Nunca cortocircuite la batería ni la exponga a la humedad. No la almacene junto a piezas de metal que puedan cortocircuitar los contactos. La batería podría sobrecalentarse, incendiarse o explotar.

## 5. Antes de usar por primera vez

Desempaque la bomba para barriles de agua de lluvia y compruebe que las piezas no hayan sufrido ningún daño durante el transporte. Mantenga el material de embalaje fuera del alcance de los niños. ¡Dicho material entraña un riesgo de asfixia!

## 6. Contenido del paquete

- 1 bomba de agua
- 1 batería
- 1 cargador
- 1 mecanismo de sujeción
- 1 tubo de extensión
- 1 manual de instrucciones

## 7. Uso previsto

- La bomba para barriles de agua de lluvia ha sido diseñada para bombear únicamente agua limpia.
- La bomba para barriles de agua de lluvia está prevista para bombear agua desde un barril o un tanque de recogida de agua de lluvia. Resulta particularmente adecuada para regar las plantas de un jardín.
- La bomba no está prevista para suministrar agua salada; líquidos corrosivos, inflamables y explosivos (por ejemplo, gasolina, parafina y diluyentes); heces; aceite; aceite de calefacción ni productos alimenticios.
- Esta bomba no ha sido diseñada con fines comerciales ni industriales.
- La bomba no ha sido diseñada para un funcionamiento continuo, por ejemplo, en tuberías de distribución de estanques de jardín.
- El uso previsto también incluye aquellas aplicaciones recogidas en las instrucciones de utilización. Cualquier otro uso a los especificados (materiales diferentes y fuerza de aplicación) o cualquier modificación (reconstrucción o accesos no originales) pueden entrañar riesgos importantes, lo que se considera un uso contrario a los fines previstos.

## 8. Carga de la batería

(Consulte la **figura B**).

Antes de usar la bomba por primera vez, cargue completamente la batería.

- 8.1 Conecte el cargador de baterías **(9)** a una toma de corriente. El led se enciende de color verde para indicar que recibe alimentación.
- 8.2 Conecte la batería **(11)** al cargador de baterías. El led se ilumina de color rojo para indicar que la batería se está cargando. Cargue la batería durante 6 horas, aproximadamente. Una vez que la batería se haya cargado completamente, el led se ilumina de color verde.

- 8.3 Finalizado el proceso de carga, desconecte el cargador de la unidad y de la red eléctrica.

## 9. Montaje

(Consulte la **figura C**)

- 9.1 Antes de cada uso, compruebe que la bomba no presente ningún daño. No utilice la bomba si evidencia algún daño.
- 9.2 Coloque la arandela de sellado (**10**) en la carcasa de la bomba (**7**) y atornille la tuerca (**6**) en la carcasa.
- 9.3 Conecte firmemente la manguera de bombeo (no incluida) al conector rápido de la válvula de cierre (**1**).
- 9.4 Para un mayor alcance, es posible añadir un tubo de extensión (**14**).

## 10. Utilización

(Consulte la **figura D**)

- 10.1 Coloque la bomba para barriles de lluvia sobre una superficie plana dentro del barril de suministro de agua desde la que desea bombear. Asegúrese de que la bomba no se pueda mover mientras está en funcionamiento. Preste atención a la profundidad máxima de inmersión. Siempre asegúrese de que la abertura de succión (**8**) no esté bloqueada ni obstruida durante el funcionamiento. Si fuera necesario, coloque la bomba sobre un ladrillo o algo similar.
- 10.2 Utilice la manguera de riego para regar las plantas. Observe la altura máxima de suministro.
- 10.3 Abra la válvula de cierre (**1**).
- 10.4 Inserte la batería (**11**) en el compartimento previsto (**4**). Para poner en marcha la bomba para barriles de agua de lluvia, pulse el interruptor de encendido/apagado (**2**) hacia la posición I. Para apagar la bomba, pulse el interruptor (**2**) hacia la posición O (consulte la **figura E**).
- 10.5 Cuando no esté en uso, retire la batería de su compartimento. Presione el botón de apertura de la batería y tire de ella para extraerla de su compartimento.

- Asegúrese de que no entre agua ni humedad en la unidad de control.
- Asegúrese de que ninguna partícula de tamaño superior a 1 mm pueda succionarse a través de la bomba.
- Nunca tire de la bomba para barriles de agua de lluvia por el cable.
- ¡Evite el funcionamiento en seco de la bomba! Funcionamiento en seco hace referencia a poner en marcha la bomba sin agua en su carcasa.

## 11. Uso del mecanismo de sujeción

(Consulte la **figura F**)

- 11.1 Si fuera necesario, asegure la bomba para barriles de agua de lluvia al barril de agua de lluvia con el mecanismo de sujeción incluido (**12**).
- 11.2 Atornille el tornillo de fijación (**13**) al barril de agua de lluvia mediante una llave hexagonal manual apropiada (tamaño 5). El mecanismo de sujeción evita que la bomba se vuelque.

## 12. Indicador del nivel de carga de la batería

El led iluminado indica el nivel de carga de la batería.

LED	4	3	2	1
Nivel de carga	100 %	75 %	50 %	25 %

Cuando el cuarto y último led se apaga, la bomba se detiene. Apague la bomba. Retire la batería del compartimento y cárguela.

## 13. Mantenimiento, limpieza, almacenamiento y transporte

- Retire la batería del compartimento antes de realizar cualquier tarea de mantenimiento o limpieza.
- Utilice únicamente un paño húmedo para limpiar la carcasa de la unidad. No utilice objetos de metal o puntiagudos para no dañar las superficies. No utilice productos químicos agresivos ni sustancias similares.
- Ninguna de las partes de la bomba está prevista para su reparación por parte del usuario. No desarme la bomba ni trate de repararla por su cuenta. Cual-

quier reparación debe estar a cargo de un servicio técnico especializado.

- La bomba no requiere ningún mantenimiento, excepto la limpieza de la carcasa y el filtro. Para limpiar el filtro, desatornille la tapa del filtro (8) girándola en sentido antihorario. Limpie el filtro con agua corriente y vuelva a colocarlo en la bomba para barriles de agua de lluvia. (Consulte la **figura G**)
- Tenga en cuenta que la arena, el barro y los sedimentos en suspensión en el agua bombeada pueden afectar el caudal.
- Nunca transporte, levante o cuelgue la bomba mediante el cable.
- Siempre guarde la bomba en un lugar seco y al resguardo del polvo, la suciedad y las heladas. Guarde la unidad en un lugar fuera del alcance de los niños.

#### 14. Datos técnicos

Tensión nominal:	12 VCC
Potencia nominal:	50 W
Clase de protección:	III
Grado de protección de la unidad de control:	IPX4
Grado de protección de la bomba:	IPX8
Tamaño del conector:	G 3/4 in
Diámetro de la tubería:	17 mm
Caudal máx. de la bomba:	1500 l/h
Altura máx. de la bomba:	11 m
Profundidad máx. de inmersión:	1 m
Tamaño máx. de partícula:	1 mm
Temperatura máx. de los fluidos:	35° C
Tiempo máx. de funcionamiento:	35 min
Tipo de batería:	iones de litio
Tiempo de carga aproximado:	5 h

#### 15. Eliminación



**No deseche las herramientas eléctricas junto a los residuos domésticos.**

El embalaje en el que se envía esta herramienta reduce los daños debidos al transporte.

El material de embalaje en cuestión es una materia prima que se puede reutilizar o reciclar. La herramienta eléctrica y sus accesorios están fabricados con diferentes materiales como metales y plástico. Lleve los componentes defectuosos a un punto de recogida de residuos especiales. Puede consultar con el vendedor o su ayuntamiento al respecto.

##### 15.1 Baterías

Piense en el medioambiente al desechar las baterías. Póngase en contacto con las autoridades locales para saber dónde se encuentra el punto de recogida más cercano para este tipo de residuos.

No deseche las baterías junto a los residuos domésticos.

No elimine las baterías quemándolas, ya que esto entraña un riesgo de explosión.

## 16. Declaración CE de conformidad

Nosotros, **Batavia B.V., con domicilio social en Weth. Wassebaliestraat 6d, NL-7951 SN Staphorst**, declaramos bajo nuestra propia responsabilidad que la **bomba de agua, modelo BT-RBP001, n.º de artículo 7063549**, cumple con los requisitos básicos recogidos en la **Directiva 2014/30/EU del Parlamento Europeo y del Consejo en materia de compatibilidad electromagnética (EMC), la Directiva 2014/35/EU sobre la armonización de las legislaciones de los Estados miembros en materia de comercialización de material eléctrico destinado a utilizarse con determinados límites de tensión y la Directiva 2011/65/EU sobre restricciones a la utilización de determinadas sustancias peligrosas en aparatos eléctricos y electrónicos (también conocida como RoHS) y sus enmiendas**. Para la evaluación del cumplimiento normativo se consultaron las siguientes normas armonizadas:

**EN 55014-1:2017**

**EN 55014-2:2015**

**EN 61000-3-2:2014**

**EN 61000-3-3:2013**

**EN 60335-1:2012+A11+A13**

**EN 60335-2-41:2003+A1+A2**

**EN 62233:2008**

Staphorst, 6 de julio de 2021



Meino Seinen, representante de Aseguramiento de la Calidad de Batavia B.V., Weth. Wassebaliestraat 6d, 7951 SM Staphorst, Países Bajos

Tanto el producto como el manual de usuario están sujetos a cambios. Los datos técnicos pueden cambiar sin previo aviso.

## Estimado cliente

Familiarize-se com a utilização adequada do dispositivo através da leitura e cumprimento de cada capítulo deste manual, pela ordem apresentada. Guarde estas instruções de utilização para consulta futura.

### Leia todas as instruções relacionadas com a segurança!

Este manual contém informações importantes sobre a utilização e manuseamento do dispositivo. Guarde estas instruções de utilização para consulta futura. Entregue-as juntamente com a unidade caso empreste o equipamento a terceiros.

## 1. Explicação dos símbolos

O seguintes símbolos são utilizados no manual do utilizador ou no produto:



*Aviso! Para reduzir o risco de lesões, o utilizador deve ler o manual de instruções.*



*Indica risco de lesões corporais, morte ou danos no equipamento no caso de não observância das instruções neste manual.*



*Ferramenta elétrica, proteção classe II. Este símbolo indica que esta unidade corresponde à Classe de Proteção II. Isto significa que o aparelho está equipado respetivamente com um isolamento duplo ou reforçado entre os circuitos elétricos e a saída de tensão ou o revestimento metálico.*



*"CE" significa "Conformidade Europeia", o que indica "em conformidade com a regulamentação da UE". Com a marcação CE, o fabricante confirma que esta ferramenta elétrica cumpre com as diretivas europeias aplicáveis.*



*Não elimine as ferramentas elétricas juntamente com os resíduos domésticos.*

## 2. Instruções de segurança gerais para ferramentas elétricas



### AVISO! Leia todas as instruções!

A não aplicação de todas as instruções abaixo enumeradas poderá resultar em choque elétrico, incêndio e/ou lesões graves.

O termo "ferramenta elétrica" em todos os avisos abaixo enumerados refere-se à sua ferramenta elétrica (com fios) ou ferramenta elétrica operada a bateria (sem fios).

### Guarde estas instruções para consulta futura!

#### 2.1 Área de trabalho

- Mantenha a área de trabalho limpa e bem iluminada.** Zonas desorganizadas e escuras propiciam a ocorrência de acidentes.
- Não utilize ferramentas elétricas em atmosferas explosivas, como estando na presença de líquidos inflamáveis, gases ou pó.** As ferramentas elétricas criam faíscas que podem inflamar pó ou vapores.
- Mantenha as crianças e pessoas presentes afastadas enquanto utiliza qualquer ferramenta elétrica.** As distrações podem resultar na perda de controlo.

#### 2.2 Segurança elétrica

- Evite o contacto do corpo com superfícies ligadas à terra, como tubos, radiadores, fogões e frigoríficos.** Existe um maior risco de choque elétrico se o seu corpo estiver ligado à terra.
- Não exponha ferramentas elétricas a chuva ou condições que envolvam água.** Se a água penetrar numa ferramenta elétrica, aumentará o risco de choque elétrico.

#### 2.3 Segurança pessoal

- Mantenha-se alerta, veja aquilo que está a fazer e aplique bom senso sempre que utilizar uma ferramenta elétrica. Não utilize uma ferramenta elétrica se estiver cansado ou sob a influência de álcool, drogas ou medicação.** Um momento de distração

enquanto utiliza ferramentas elétricas pode resultar em ferimentos graves.

- b. **Utilize equipamento de segurança. Utilize sempre proteção ocular.** O equipamento de segurança, como máscaras antipó, calçado de segurança antiderrapante, capacete de proteção ou proteção auditiva utilizados em condições adequadas, reduzirão a ocorrência de ferimentos.
  - c. **Evite arranques acidentais. Certifique-se de que o interruptor se encontra na posição desligada antes de ligar.** Transportar ferramentas elétricas com o dedo no interruptor ou ligar ferramentas elétricas que tenham o interruptor ligado propicia a ocorrência de acidentes.
  - d. **Remova quaisquer chaves de ajuste ou chaves de aperto antes de ligar a ferramenta elétrica.** Uma chave de fendas ou chave de aperto colocada numa peça rotativa da ferramenta elétrica pode resultar em ferimentos.
  - e. **Não tente alcançar locais fora do seu alcance. Mantenha sempre uma posição firme e pleno equilíbrio.** Desta forma, terá um maior controlo da ferramenta elétrica em situações inesperadas.
  - f. **Vista-se de forma adequada. Não utilize roupas largas nem joias. Mantenha o cabelo, roupa e luvas afastados das peças rotativas.** Roupas largas, joias ou cabelos soltos podem ficar enredados nas peças rotativas.
  - g. **Se forem fornecidos dispositivos para a ligação a equipamentos de extração de pó e recolha, certifique-se de que estes estão ligados e são corretamente utilizados.** A utilização destes equipamentos reduz os riscos causados pelo pó.
- 2.4 Utilização e cuidados a ter com a ferramenta elétrica**
- a. **Não force a ferramenta elétrica. Utilize a ferramenta elétrica correta para a sua aplicação.** A ferramenta elétrica correta realizará a tarefa em melhores condições e em maior segurança, à velocidade em que foi concebida.
  - b. **Não utilize a ferramenta elétrica se o interruptor não ligar ou desligar.** Qualquer ferramenta que não possa ser controlada com o interruptor é perigosa e deverá ser reparada.
  - c. **Armazene ferramentas elétricas inativas fora do alcance das crianças, e não permita que pessoas não familiarizadas com a ferramenta elétrica ou com estas instruções utilizem a ferramenta.** As ferramentas elétricas são perigosas se utilizadas por pessoas sem formação.
  - d. **Faça a manutenção das ferramentas elétricas. Verifique se existem desalinhamentos ou retenção das peças móveis, peças partidas e quaisquer outras condições que possam afetar a operação das ferramentas elétricas. Se danificada, solicite a reparação da ferramenta elétrica antes da sua utilização.** Muitos acidentes são causados pela má manutenção das ferramentas elétricas.
  - e. **Utilize a ferramenta elétrica, acessórios e brocas, etc., de acordo com estas instruções e da forma prevista para o tipo de ferramenta elétrica em questão, tendo em conta as condições de trabalho e a tarefa a realizar.** A utilização da ferramenta elétrica para outras operações que não as previstas pode resultar numa situação perigosa.
- 2.5 Assistência**
- a. **Para reparar a sua ferramenta elétrica, utilize um especialista qualificado que utiliza peças de substituição originais.** Desta forma, garantirá o bom funcionamento da ferramenta.
- 3. Avisos de segurança adicionais**



Leia este manual atentamente e utilize a unidade apenas de acordo com as instruções aqui contidas.

- A bomba foi concebida para bombear água limpa. A bomba não se destina a fornecer água salgada, líquidos corrosivos, facilmente inflamáveis ou explosivos.

- vos (p. ex., combustível, parafina, diluentes), fezes, óleo, óleo de aquecimento ou produtos alimentares.
- Não utilize a bomba para fornecer sólidos. A gravilha, areia ou produtos semelhantes podem danificar a bomba.
  - Certifique-se de que a temperatura da água a fornecer não excede os 35 °C.
  - Não opere a bomba sem supervisão durante muito tempo.
  - Não substitua o cabo e não o repare. Não é permitido modificar o cabo instalando um interruptor ou semelhante.
  - Não dobre nem torça o cabo de forma alguma. Mantenha o cabo afastado.
  - Não utilize o cabo para mover ou transportar a bomba.
  - Se não estiver a ser utilizada, não pendure a bomba pelo seu cabo.
  - Proteja a bomba contra o gelo.
  - Não permita que a bomba trabalhe em seco. Durante a operação, mantenha sempre a bomba totalmente submersa na água.
  - Remova a bateria da bomba se proceder à sua limpeza ou se não a utilizar durante um período prolongado.
  - Se a bomba ou o cabo ficarem danificados, não utilize mais a bomba e solicite a sua reparação por um profissional ou contacte o serviço de apoio ao cliente Batavia. Não desmonte a unidade nem tente repará-la sem auxílio.
  - Tenha especial cuidado com a unidade. Evite deixar cair a unidade em qualquer superfície dura e não a exponha a pressão nem a qualquer outra forma de stress mecânico. Mantenha a unidade afastada de calor ou frio extremos.
  - Guarde o dispositivo num local fresco e seco, no interior.
- #### 4. Notas de segurança sobre a bateria, a alimentação e o carregador
- Certifique-se de que a tensão da alimentação corresponde à tensão indicada na etiqueta de classificação. Ligue o carregador de bateria apenas a uma tensão de 100 – 240 V CA.
  - Utilize apenas a bateria e o carregador entregues com a bomba de água.
  - Se não inserida na bomba de água e não em utilização, mantenha a bateria afastada de objetos metálicos como cliques, moedas, chaves, pregos e semelhantes, que podem provocar um curto-circuito dos terminais.
  - Em caso de uso inadequado, a bateria pode verter líquido. Evite qualquer contacto com esse líquido. Lave a pele com água. Se os olhos forem contaminados, consulte imediatamente um médico.
  - Uma bateria defeituosa ou gasta deverá ser eliminada de acordo com os regulamentos relevantes.
  - Não mergulhe a bateria em água nem a queime. Risco de explosão!
  - Substitua imediatamente uma bateria defeituosa (p. ex., armação defeituosa).
  - O carregador foi especialmente concebido para ser usado com a bomba de água. Não tente carregar/usar com outros dispositivos. Não tente carregar a bateria com outros tipos de carregadores.
  - Se o carregador da bateria não estiver a ser usado, desligue-o da tomada elétrica. Desligue também enquanto proceder à limpeza ou manutenção do carregador ou unidade de alimentação.
  - Apenas carregue, opere e armazene a bateria a uma temperatura ambiente entre 10 °C e 40 °C.
  - Proteja a bateria e o carregador da bateria contra a humidade. Não opere o carregador da bateria no exterior.
  - Aplique cuidados especiais com a bateria. Evite deixá-la cair em quaisquer superfícies rígidas e não a sujeite a pressão ou qualquer outra forma de stress mecânico. Mantenha a bateria longe de calor e frio extremos.
  - Não abra nem tente reparar a bateria ou o carregador da bateria. Se alguma peça estiver danificada, solicite a sua reparação por um técnico qualificado ou contacte o nosso serviço de apoio ao cliente.

- Utilize ferramentas elétricas apenas com baterias especificamente concebidas para esse fim. A utilização de outras baterias pode criar o risco de lesões e incêndio.
- Quando pretender eliminar as baterias, siga as instruções apresentadas na secção “Eliminação”.
- Se a ferramenta elétrica for armazenada durante um longo período de tempo, a bateria deve ser removida.
- Importante! Perigo! Nunca provoque curto-circuito na bateria nem a exponha a humidade. Não a armazene com outras peças metálicas que possam provocar um curto-circuito nos contactos. A bateria pode sobreaquecer, incendiar ou explodir.

## 5. Antes da primeira utilização

Desembale a bomba de águas pluviais e verifique se alguma peça foi danificada em trânsito. Mantenha os materiais de embalagem fora do alcance das crianças. Risco de asfíxia!

## 6. Conteúdo da embalagem

- 1× Bomba de água
- 1× Bateria
- 1× Carregador
- 1× Grampo
- 1× Tubo de extensão
- 1× Instruções de funcionamento

## 7. Utilização prevista

- A bomba de águas pluviais foi concebida apenas para bombear água limpa.
- A bomba de águas pluviais destina-se a bombear água de um coletor ou depósito de recolha de águas pluviais. É particularmente adequado para regar plantas no jardim.
- Não se destina a fornecer água salgada, líquidos corrosivos, facilmente inflamáveis ou explosivos (p. ex., combustível, parafina, diluentes, etc.), fezes, óleo, óleo de aquecimento ou produtos alimentares.
- Esta bomba não se destina a fins comerciais ou industriais.
- A bomba não é adequada para uma operação contínua, p. ex., para cursos de água em lagos de jardim.
- A utilização prevista também inclui uma operação de acordo com as instruções de funcionamento. Qualquer utilização que ultrapasse estes parâmetros (diferentes suportes, aplicação de força) ou quaisquer alterações (reconstrução, acessórios não originais) pode criar riscos graves, sendo vista como algo contrário à finalidade prevista.

## 8. Carregar a bateria

(veja a Fig. B).

Antes de utilizar a bomba pela primeira vez, carregue totalmente a bateria.

- 8.1 Ligue o carregador da bateria (9) ligando-o a uma tomada de parede. O LED verde acende indicando que a alimentação está ligada.
- 8.2 Ligue a bateria (11) com o carregador de bateria. O LED vermelho acende indicando que a bateria está a carregar. Carregue a bateria durante aprox. 6 horas. Quando a bateria estiver totalmente carregada, o LED verde irá acender-se.
- 8.3 Após o processo de carregamento, desligue o carregador da unidade e da tomada de parede.

## 9. Montagem

(Ver Fig. C).

- 9.1 Antes de cada utilização, verifique se a bomba tem algum dano. Não utilize a bomba em caso de danos.
- 9.2 Coloque a anilha vedante (10) na armação da bomba (7) e aparafuse a porca (6) na armação.
- 9.3 Fixe firmemente a mangueira (não incluída) a usar para bombear a água na ligação rápida da válvula de corte (1).
- 9.4 Para uma extensão adicional, pode adicionar o tubo de extensão opcional (14).

## 10. Operação

(Ver Fig. D).

- 10.1 Coloque a bomba de águas pluviais numa superfície plana no depósito de água que pretende bombear. Certifique-se de que a bomba não se move durante a utilização. Preste atenção à profundidade máxima de submersão. Certifique-se de que a abertura de sucção (8) não se encontra bloqueada nem obstruída durante a utilização. Se necessário, coloque a bomba em cima de um tijolo ou semelhante.
- 10.2 Instale a mangueira de irrigação para regar as plantas. Respeite a altura máxima.
- 10.3 Abra a válvula de corte (1).
- 10.4 Insira a bateria (11) no compartimento da bateria (4). Para ligar a bomba de águas pluviais, empurre o interruptor de ligar/desligar (2) na direção "I". Para desligar a bomba, empurre o interruptor (2) na direção "O". (Ver Fig. E).
- 10.5 Quando não estiver a ser usada, retire a bateria do compartimento da bateria. Prima o botão de libertação na bateria e retire a bateria do compartimento.
  - Certifique-se de que a água e humidade não penetram na unidade de controlo.
  - Certifique-se de que a bomba não suga partículas com mais de 1 mm, aprox.
  - Nunca puxe a bomba de águas pluviais pelo cabo.

- Evite ligar a bomba em seco! O funcionamento em seco consiste em operar a bomba sem água na armação.

## 11. Utilizar o grampo

(Ver Fig. F).

- 11.1 Se necessário, fixe a bomba de águas pluviais com o grampo (12) fornecido na bomba de águas pluviais.
- 11.2 Aparafuse o parafuso de aperto (13) com uma chave hexagonal adequada (tamanho 5) e aperte manualmente o depósito de águas. O grampo impedirá a bomba de cair.

## 12. Indicador da capacidade da bateria

O LED iluminado indica a capacidade da bateria.

LED	4	3	2	1
Capacidade	100%	75%	50%	25%

Quando o quarto e último LED se desliga, a bomba deixará de trabalhar. Desligue a bomba. Retire a bateria do compartimento e carregue a bateria.

## 13. Manutenção, limpeza, armazenamento e transporte

- Retire a bateria do compartimento antes de realizar qualquer tipo de trabalhos de manutenção e limpeza.
- Utilize apenas um pano ligeiramente humedecido para limpar a armação da unidade. Não utilize itens metálicos ou afiados para não danificar as superfícies. Não utilize químicos agressivos ou materiais semelhantes.
- A bomba não contém quaisquer peças que exijam a sua assistência. Não desmonte a bomba nem tente repará-la sem auxílio. As reparações devem ser realizadas apenas por profissionais.
- A bomba não requer qualquer manutenção para além da limpeza da armação e do filtro. Para limpar o filtro, desaperte a tampa do filtro (8) girando-a no sentido contrário ao dos ponteiros do relógio. Limpe o filtro com água limpa e fixe novamente o filtro à bomba de águas pluviais. (Ver Fig. G).

- Tenha em conta que a areia, lama ou sedimentos suspensos na água bombeada podem afetar a sua taxa de distribuição.
- Nunca segure, levante ou pendure a bomba pelo cabo.
- Guarde a bomba num local seco, protegido do pó, da sujidade e do gelo. Guarde a unidade fora dos alcances de crianças.

#### 14. Dados técnicos

Tensão nominal:	12 V CC
Potência nominal:	50 W
Classe de proteção:	III
Nível de proteção da unidade de controlo:	IPX4
Grau de proteção da bomba:	IPx8
Tamanho da ligação:	G 3/4"
Diâmetro do tubo:	17 mm
Taxa máx. de bombeamento:	1500 l/h
Altura máx. da bomba:	11 m
Profundidade máx. de submersão:	1 m
Tamanho máx. das partículas:	1 mm
Temperatura máx. dos fluidos:	35 °C
Tempo de operação aprox.:	35 min.
Tipo de bateria:	lões de lítio
Duração aprox. do carregamento:	5 h

#### 15. Eliminação



**Não elimine as ferramentas elétricas juntamente com os resíduos domésticos.**

Esta ferramenta elétrica é expedida numa embalagem para minimizar os danos de transporte.

Esta embalagem é uma matéria-prima e, como tal, pode ser reutilizada ou reintroduzida no respetivo ciclo. Esta ferramenta elétrica e os seus acessórios são feitos de vários materiais, tais como metais e plásticos. Leve as peças defeituosas para um ponto de recolha especial. Coloque as suas questões a este respeito numa loja da especialidade ou autoridade local.

##### 15.1 Bateria

Pense no ambiente sempre que eliminar baterias. Contacte as autoridades locais para saber a localização da área de eliminação de resíduos mais próxima.

Não elimine as baterias juntamente com os resíduos domésticos.

Não elimine a bateria queimando-a - risco de explosão.

## 16. Declaração de conformidade CE

Nós, **Batavia B.V., Weth. Wassebaliestraat 6d, NL-7951 SN Staphorst, Países Baixos** declaramos sob a nossa responsabilidade que o produto **Bomba de água, Item n.º 7063549, Modelo n.º BT-RBP001** está de acordo com os requisitos básicos definidos nas Diretivas Europeias **2014/30/UE (relativa à compatibilidade eletromagnética, (CEM)), 2014/35/CE (relativa à harmonização da legislação dos Estados-Membros respeitante à disponibilização no mercado de material elétrico destinado a ser utilizado dentro de certos limites de tensão), 2011/65/UE (relativa à restrição do uso de determinadas substâncias perigosas em equipamentos elétricos e eletrónicos)**, e respetivas alterações. Para a avaliação de conformidade, foram consultadas as seguintes normas harmonizadas:

**EN 55014-1:2017**

**EN 55014-2:2015**

**EN 61000-3-2:2014**

**EN 61000-3-3:2013**

**EN 60335-1:2012+A11+A13**

**EN 60335-2-41:2003+A1+A2**

**EN 62233:2008**

Staphorst, 6 de julho de 2021



Meino Seinen, QA Representative  
Batavia B.V., Weth. Wassebaliestraat 6d,  
7951 SM Staphorst, Países Baixos

O produto e o manual do utilizador podem ser sujeitos a alterações. Os dados técnicos podem ser alterados sem aviso prévio.

## Szanowny Kliencie!

Prosimy o zapoznanie się z prawidłowym użyciem urządzenia poprzez przeczytanie każdego z poniższych rozdziałów instrukcji, w podanej kolejności. Zachować instrukcję obsługi do wykorzystania w przyszłości.

### Należy przeczytać wszystkie instrukcje dotyczące bezpieczeństwa!

Niniejsza instrukcja zawiera najważniejsze informacje dotyczące bezpiecznej obsługi i korzystania z urządzenia. Zachować instrukcję obsługi do wykorzystania w przyszłości. Prosimy o dołączenie instrukcji do urządzenia w przypadku przekazywania urządzenia innej osobie.

## 1. Objaśnienie symboli

W instrukcji obsługi lub na produkcie stosowane są następujące symbole:



*Ostrzeżenie! W celu zredukowania ryzyka obrażeń użytkownik musi przeczytać instrukcję obsługi.*



*Wskazuje na zagrożenie zranieniem ciała, utratą życia lub uszkodzeniem narzędzia w przypadku nieprzestrzegania zaleceń zawartych w niniejszej instrukcji.*



*Elektronarzędzie, klasa ochrony II. Znak ten oznacza, że urządzenie odpowiada klasie ochrony II. Oznacza to, że urządzenie jest wyposażone odpowiednio albo we wzmocnioną, albo w podwójną izolację między obwodami zasilania a napięciem wyjściowym lub obudową metalową.*



*CE jest skrótem od „Conformité Européenne”, co oznacza „Zgodne z przepisami UE”. Za pomocą znaku CE producent potwierdza, że niniejsze elektronarzędzie spełnia wymagania obowiązujących dyrektyw UE.*



*Nie należy utylizować elektronarzędzi z odpadami domowymi.*

## 2. Ogólne wskazówki dotyczące bezpieczeństwa elektronarzędzi



### **OSTRZEŻENIE! Należy przeczytać całą instrukcję obsługi!**

Nieprzestrzeganie instrukcji podanych niżej może doprowadzić do porażenia prądem elektrycznym, wywołania pożaru i/ lub poważnego uszkodzenia ciała.

Sformułowanie „elektronarzędzie” używane we wszystkich ostrzeżeniach wymienionych poniżej odnosi się do elektronarzędzi zasilanych prądem sieciowym (przewodowych) lub zasilanych za pomocą akumulatora (beprzewodowych).

**Zachować instrukcję obsługi, aby skorzystać z niej w przyszłości.**

### 2.1 Miejsce pracy

- a. **Miejsce pracy powinno być uprzątnięte i dobrze oświetlone.** Nieuporządkowane i nieoświetlone miejsca pracy sprzyjają występowaniu wypadków.
- b. **Nie używać elektronarzędzi w miejscach zagrożonych wybuchem, np. w pobliżu palnych płynów, gazów lub pyłu.** Elektronarzędzia wytwarzają iskry, które mogą spowodować zapłon pyłu lub oparów.
- c. **Dzieci i osoby postronne nie powinny znajdować się w lokalizacji, w której używane jest narzędzie elektryczne.** Rozproszenie uwagi może spowodować utratę kontroli.

### 2.2 Bezpieczeństwo elektryczne

- a. **Należy unikać kontaktu ciała z uziemnionymi powierzchniami, np. rurami, grzejnikami, kuchenkami i lodówkami.** Uziemienie ciała zwiększa ryzyko porażenia prądem elektrycznym.
- b. **Należy chronić narzędzia elektryczne przed deszczem i wilgocią.** Woda przedostająca się do narzędzia elektrycznego zwiększa ryzyko porażenia prądem elektrycznym.

### 2.3 Bezpieczeństwo osobiste

- a. **Podczas korzystania z narzędzia elektrycznego należy zachować czujność, skoncentrować się na wykonywanych czynnościach i postępować rozważnie. Narzędzie elektryczne nie**

- powinno być używane przez osoby zmęczone albo znajdujące się pod wpływem narkotyków, alkoholu lub leków. Chwila nieuwagi podczas korzystania z elektronarzędzia może skutkować poważnymi obrażeniami ciała.
- b. **Stosować środki ochrony osobistej. Zawsze stosować ochronę oczu.** Stosowanie odpowiednich do okoliczności środków ochrony osobistej, takich jak maski przeciwpyłowe, obuwie antypoślizgowe, kask lub ochrona słuchu redukuje ryzyko obrażeń.
  - c. **Unikać przypadkowego uruchomienia. Przed podłączeniem wtyczki upewnić się, że przełącznik jest w położeniu wyłączenia.** Przenoszenie elektronarzędzia, gdy palec spoczywa na włączniku lub podłączenie do zasilania urządzenia, które jest włączone zwiększa ryzyko wypadku.
  - d. **Przed włączeniem narzędzia elektrycznego należy wyjąć wszystkie kluczyki lub klucze regulacyjne.** Klucz lub kluczyk pozostawiony w części obrotowej narzędzia elektrycznego może spowodować zranienie.
  - e. **Nie wspinać się na palce. Zawsze należy prawidłowo ustawiać stopy i zachować równowagę.** Pozwala to na lepszą kontrolę narzędzia elektrycznego w nieoczekiwanych sytuacjach.
  - f. **Założyć odpowiednią odzież. Nie nosić luźnej odzieży ani biżuterii. Nie wolno zbliżać włosów, odzieży ani rękawic do ruchomych części.** Luźna odzież, biżuteria lub długie włosy mogą zaplątać się w ruchome części.
  - g. **Jeżeli dostępne jest wyposażenie do podłączenia wyciągu pyłu i elementów zbierających, należy się upewnić, że jest ono podłączone i prawidłowo stosowane.** Stosowanie rozwiązań tego typu ogranicza zagrożenia związane z pyłami.
- 2.4 **Użytkowanie i konserwacja narzędzia elektrycznego**
- a. **Nie wolno przeciążać narzędzia elektrycznego. Należy używać elektronarzędzia odpowiedniego do wykonywanego zadania.** Przy pomocy odpowiedniego narzędzia elektrycznego można lepiej i bezpieczniej wykonać pracę do jakiej jest ono przeznaczone.
  - b. **Nie wolno używać narzędzia elektrycznego, jeżeli przełącznik nie funkcjonuje prawidłowo.** Narzędzie elektryczne z uszkodzonym przełącznikiem stanowi zagrożenie i należy je naprawić.
  - c. **Urządzenia pracujące na biegu jałowym należy przechowywać w miejscu niedostępnym dla dzieci i nie dopuścić, by z urządzenia korzystały osoby niezaznajomione z danym elektronarzędziem lub niniejszą instrukcją obsługi.** Użycie narzędzi elektrycznych przez nieprzeszkolone osoby może powodować zagrożenie.
  - d. **Należy dbać o stan elektronarzędzi. Sprawdzić urządzenie pod kątem nieprawidłowego ustawienia lub blokady ruchomych części, uszkodzenia jego elementów i innych czynników, które mogą wpływać na funkcjonowanie elektronarzędzia. W razie uszkodzenia należy przed użyciem naprawić narzędzie elektryczne.** Przyczyną wielu wypadków jest nieprawidłowa konserwacja narzędzi elektrycznych.
  - e. **Elektronarzędzie jego akcesoria i osprzęt itd. należy użytkować zgodnie z niniejszą instrukcją obsługi, w sposób przewidziany dla danego rodzaju elektronarzędzia, uwzględniając warunki robocze i planowane prace.** Użycie elektronarzędzia do czynności niezgodnych z jego przeznaczeniem może spowodować zagrożenie.
- 2.5 **Serwis**
- a. **Naprawę elektronarzędzia należy powierzyć specjalście stosującemu oryginalne części zamienne.** Zapewni to prawidłowe funkcjonowanie elektronarzędzia.
3. **Dodatkowe zalecenia dotyczące bezpieczeństwa**



Prosimy o uważne przeczytanie niniejszej instrukcji oraz używanie

urządzenia wyłącznie zgodnie z niniejszą instrukcją.

- Pompa jest przeznaczona do pompowania czystej wody. Pompa nie jest przeznaczona do tłoczenia słonej wody, cieczy żrących, łatwopalnych lub wybuchowych (np. benzyny, parafiny, rozcieńczalników), fekaliiów, oleju, oleju opałowego lub artykułów spożywczych.
  - Nie używać pompy do tłoczenia ciał stałych. Żwir, piasek itp. mogą uszkodzić pompę.
  - Upewnić się, że temperatura dostarczanej wody nie przekracza 35°C.
  - Nie pozostawiać działającej pompy bez nadzoru przez dłuższy czas.
  - Nie wymieniać przewodu i nie naprawiać go. Niedozwolone jest modyfikowanie przewodu przez zainstalowanie przełącznika lub podobnego urządzenia.
  - W żaden sposób nie ścisnąć ani nie przyniatać przewodu. Umieścić przewód w bezpiecznym miejscu.
  - Nie używać przewodu do przenoszenia lub transportu pompy.
  - Nie wieszac pompy na przewodzie, gdy nie jest używana.
  - Chronić pompę przed mrozem.
  - Nie dopuścić do pracy pompy na sucho. Pracująca pompa musi być przez cały czas zanurzona w wodzie.
  - Wyjąć akumulator z pompy, przed jej czyszczeniem lub jeśli nie będzie używana przez dłuższy czas.
  - Jeśli pompa lub przewód ulegną uszkodzeniu, nie należy dalej używać pompy. Zlecić naprawę pompy profesjonalście lub skontaktować się z działem obsługi klienta Batavia. Nie demontować urządzenia ani nie próbować samodzielnie go naprawiać.
  - Z urządzeniem należy obchodzić się ostrożnie. Unikać upuszczenia na twarde podłoże i nie wywierać na urządzenie nacisku ani nie poddawać innym obciążeniom mechanicznym. Chronić urządzenie przed ekstremalnie wysoką lub niską temperaturą.
- Przechowywać urządzenie w chłodnym i suchym miejscu wewnątrz budynku.
- #### 4. Środki ostrożności dotyczące akumulatora, zasilacza i ładowarki
- Upewnić się, że napięcie sieciowe odpowiada napięciu podanemu na tabliczce znamionowej urządzenia. Ładowarkę akumulatora można podłączyć wyłącznie do źródła zasilania prądem przemiennym o napięciu 100–240 V.
  - Używać wyłącznie akumulatora i ładowarki dostarczonej z pompą do wody.
  - Akumulator, jeśli nie jest włożony do pompy i nie jest używany, należy przechowywać z dala od metalowych przedmiotów, takich jak spinacze do papieru, monety, klucze, gwoździe itp., które mogą spowodować zwarcie styków.
  - Nieprawidłowe użytkowanie może spowodować wydostanie się elektrolitu z akumulatora. Unikać kontaktu z elektrolitem. Przemyć skórę wodą. W razie kontaktu elektrolitu z oczami niezwłocznie zasięgnąć porady lekarza.
  - Wadliwy lub zużyty akumulator należy zutylizować zgodnie z odpowiednimi przepisami.
  - Nie zanurzać akumulatora w wodzie ani go nie palić! Wiąże się to z zagrożeniem wybuchem!
  - Natychmiast wymienić wadliwy akumulator (np. posiadający uszkodzoną obudowę).
  - Ładowarka jest specjalnie zaprojektowana do użytku z pompą do wody. Nie ładować/używać z innymi urządzeniami. Nie ładować akumulatora ładowarką innego typu.
  - Jeśli ładowarka nie jest używana, odłączyć ją od sieci elektrycznej. Odłączyć ją również podczas czyszczenia lub konserwacji ładowarki bądź zasilacza.
  - Akumulator należy ładować, obsługiwać i przechowywać wyłącznie w temperaturze otoczenia od 10°C do 40°C.
  - Chronić akumulator i ładowarkę przed wilgocią. Nie używać ładowarki na zewnątrz.

- Z akumulatorami należy obchodzić się ostrożnie. Unikać upuszczania ich na twarde podłoża i nie wywierać na nie nacisku ani nie poddawać innym obciążeniom mechanicznym. Chronić akumulator przed ekstremalnie wysoką i niską temperaturą.
- Nie otwierać ani nie próbować naprawiać akumulatora lub ładowarki. Jeśli jakiegokolwiek części ulegną uszkodzeniu, zlecić ich naprawę wykwalifikowanemu technikowi lub skontaktować się z naszym działem obsługi klienta.
- W elektronarzędziach należy stosować akumulatory wskazanego typu. Użycie akumulatorów innego rodzaju może stwarzać zagrożenie wystąpienia obrażeń ciała i pożaru.
- Utylizując akumulator, przestrzegać wskazówek umieszczonych w sekcji „Utylizacja”.
- Jeżeli elektronarzędzie nie będzie używane przez dłuższy czas, należy wyjąć z niego akumulator.
- Ważne! Niebezpieczeństwo! Nie zwierać biegunów akumulatora ani nie narażać go na działanie wilgoci. Nie przechowywać akumulatora z elementami metalowymi, które mogłyby spowodować zwarcie styków. Akumulator może się przegrzać, zapalić lub wybuchnąć.

## 5. Przed pierwszym użyciem

Rozpakować pompę do beczki na deszczówkę i sprawdzić wszystkie elementy pod kątem uszkodzeń w czasie transportu. Elementy opakowania należy przechowywać w miejscu niedostępnym dla dzieci. Ryzyko uduszenia!

## 6. Zawartość opakowania

- 1x pompa do wody
- 1x akumulator
- 1x ładowarka
- 1x zacisk
- 1x rura przedłużająca
- 1 x instrukcja obsługi

## 7. Przeznaczenie

- Pompa do beczki na deszczówkę jest przeznaczona do pompowania wyłącznie czystej wody.
- Pompa przeznaczona jest do pompowania wody z beczki na deszczówkę lub zbiornika na wodę deszczową. Szczególnie nadaje się do podlewania roślin w ogrodzie.
- Nie jest przeznaczona do tłoczenia stoney wody, cieczy żrących, łatwopalnych lub wybuchowych (np. benzyny, parafiny, rozcieńczalników itp.), fekaliiów, oleju, oleju opałowego lub artykułów spożywczych.
- Pompa nie jest przeznaczona do celów komercyjnych ani przemysłowych.
- Pompa nie nadaje się do pracy ciągłej, m.in. do cyrkulacji wody w oczkach ogrodowych.
- Użycie zgodne z przeznaczeniem polega również na przestrzeganiu instrukcji obsługi. Jakiegokolwiek użycie wykraczające poza powyższe zalecenia (cięcie innych materiałów, nadmierny nacisk) lub jakiegokolwiek zmiany (przebudowa, używanie akcesoriów innych niż oryginalne) może prowadzić do poważnych niebezpieczeństw i jest definiowane jako użytkowanie niezgodne z przeznaczeniem.

## 8. Ładowanie baterii

(Patrz rys. B).

Przed pierwszym użyciem pompy należy w pełni naładować akumulator.

- 8.1 Podłączyć ładowarkę (9) do gniazda ściennego. Włączy się zielona dioda, która sygnalizuje podłączenie zasilania.
- 8.2 Połączyć akumulator (11) z ładowarką. Włączy się czerwona dioda, która sygnalizuje, że akumulator jest ładowany. Ładować akumulator przez około 6 godzin. Gdy akumulator zostanie w pełni naładowany, włączy się zielona dioda.
- 8.3 Po naładowaniu akumulatora odłączyć ładowarkę od urządzenia i od zasilania.

## 9. Montaż

(Patrz **rys. C**).

- 9.1 Przed każdym użyciem sprawdzić pompę pod kątem uszkodzeń. Nie używać uszkodzonej pompy.
- 9.2 Umieścić podkładkę uszczelniającą **(10)** na obudowie pompy **(7)** i przykręcić nakrętkę **(6)** do obudowy.
- 9.3 Szczelnie przymocować wąż (brak w zestawie) do pompowania wody do szybkozłączka zaworu odcinającego **(1)**.
- 9.4 Aby zwiększyć długość, można użyć opcjonalnej rury przedłużającej **(14)**.

## 10. Obsługa

(patrz **Rys. D**).

- 10.1 Ustawić pompę do wody deszczowej na płaskiej powierzchni w zbiorniku z wodą, z którego będzie pompowana woda. Upewnić się, że podczas pracy pompa nie będzie się poruszać. Zwrócić uwagę na maksymalną głębokość zanurzenia. Podczas obsługi każdorazowo upewniać się, że otwór ssący **(8)** nie jest zablokowany lub niedrożny. Jeśli to konieczne, umieścić pompę na cegle lub podobnym przedmiocie.
- 10.2 Rozłożyć wąż ogrodowy do podlewania roślin. Przestrzegać maksymalnej wysokości podnoszenia pompy.
- 10.3 Otworzyć zawór odcinający **(1)**.
- 10.4 Umieścić akumulator **(11)** w komorze akumulatora **(4)**. Aby włączyć pompę do deszczówki, przestawić przełącznik zasilania **(2)** w kierunku znacznika „I”. Aby wyłączyć pompę, przestawić przełącznik **(2)** w kierunku znacznika „O”. (Patrz **Rys. E**).
- 10.5 Gdy urządzenie nie jest używane, wyjąć akumulator z komory akumulatora. Nacisnąć przycisk zwalniający na akumulatorze i wyciągnąć akumulator z komory.
  - Chronić jednostkę sterującą przed wodą i wilgocią.
  - Chronić pompę przed zassaniem cząstek większych niż ok. 1 mm.
  - Nigdy nie ciągnąć pompy do deszczówki za przewód.

- Unikać suchobiegu pompy! Suchobieg to praca pompy bez wody.

## 11. Korzystanie z zacisku

(Patrz **rys. F**).

- 11.1 W razie potrzeby przymocować pompę do deszczówki dołączonym zaciskiem **(12)** do beczki na deszczówkę.
- 11.2 Dokręcić ręcznie śrubę mocującą **(13)** odpowiednim kluczem imbusowym (rozmiar 5) do beczki na deszczówkę. Zacisk zabezpiecza pompę przed przewróceniem.

## 12. Wskaźnik stopnia naładowania akumulatora

Podświetlona dioda LED wskazuje stopień naładowania akumulatora.

Diody	4	3	2	1
Energia	100%	75%	50%	25%

Gdy czwarta i ostatnia dioda LED zgaśnie, pompa przestanie działać. Wyłączyć pompę. Wyjąć akumulator z komory i naładować go.

## 13. Konserwacja, czyszczenie, przechowywanie i transport

- Wyjąć akumulator z komory przed rozpoczęciem prac konserwacyjnych i czyszczeniem.
- Do czyszczenia obudowy urządzenia używać tylko lekko zwilżonej szmatki. Nie używać metalowych ani ostrych przedmiotów, aby nie uszkodzić powierzchni. Nie używać agresywnych chemikaliów ani podobnych środków.
- Pompa nie zawiera żadnych części, które może naprawić użytkownik. Nie demontować pompy i nie próbować naprawiać jej samodzielnie. Wszelkie naprawy należy zlecać wykwalifikowanemu technikowi.
- Pompa nie wymaga konserwacji, poza czyszczeniem obudowy i filtra. Aby wyczyścić filtr, odkręcić pokrywę filtra **(8)**, obracając ją w kierunku przeciwnym do ruchu wskazówek zegara. Wyczyścić filtr czystą wodą i ponownie założyć filtr do pompy do beczki na deszczówkę. (Patrz **rys. G**).

- Należy pamiętać, że piasek, błoto lub osady zawieszane w pompowanej wodzie mogą wpływać na wydajność jej pracy.
- Nigdy nie przenosić, nie podnosić ani nie wieszać pompy za przewód.
- Pompę należy przechowywać w suchym miejscu, chronionym przed pyłem, zabrudzeniami i mrozem. Urządzenie należy przechowywać w miejscu niedostępnym dla dzieci.

#### 14. Dane techniczne

Napięcie znamionowe: . . . . .	12 V, prąd stały
Pobierana moc: . . . . .	50 W
Klasa ochrony: . . . . .	III
Stopień ochrony, jednostka sterująca: . . . . .	IPX4
Stopień ochrony, pompa: . . . . .	IPx8
Rozmiar przyłącza: . . . . .	G 3/4"
Średnica rury: . . . . .	17 mm
Maks. wydajność pompy: . . . . .	1500 l/godz.
Maks. wysokość podnoszenia pompy: . . . . .	11 m
Maks. głębokość zanurzenia: . . . . .	1 m
Maks. wielkość cząstki: . . . . .	1 mm
Maks. temperatura płynu: . . . . .	35°C
Przybliżony czas pracy: . . . . .	35 min
Typ akumulatora: . . . . .	Litowo-jonowy
Przybliżony czas ładowania: . . . . .	5 godz.

#### 15. Utylizacja



**Nie należy utylizować elektronarzędzi z odpadami domowymi.**

Narzędzie z napędem elektrycznym jest dostarczane w opakowaniu celem zredukowania uszkodzeń w czasie transportu.

Opakowanie jest surowcem i jako takie może zostać ponownie użyte lub ponownie przetworzone. Narzędzie z napędem elektrycznym i jego akcesoria wykonane są z różnych materiałów, takich jak metale i tworzywa sztuczne. Uszkodzone elementy należy przekazać do specjalnych punktów gromadzenia odpadów. Informacje o nich można uzyskać w sklepie lub u władz lokalnych.

##### 15.1 Akumulatory

Podczas utylizacji akumulatorów brać pod uwagę środowisko naturalne. Aby uzyskać informacje na temat najbliższego punktu zbiórki odpadów, należy skontaktować się z jednostką władz samorządowych.

Nie należy utylizować akumulatorów z odpadami domowymi.

Nie należy utylizować akumulatorów przez spalanie, może to prowadzić do wybuchu.

## 16. Deklaracja zgodności z wymogami UE

Firma **Batavia B.V., Weth. Wassebalie-straat 6d, NL-7951 SN Staphorst, Holandia** oświadcza na własną odpowiedzialność, że produkt **pompa do wody, pozycja nr 7063549, model BT-RBP001** jest zgodny z podstawowymi wymaganiami, które zostały określone w Dyrektywach Parlamentu Europejskiego i Rady: dotyczącej kompatybilności elektromagnetycznej **2014/30/UE (EMC), 2014/35/UE (LVD), 2011/65/UE (RoHS)** oraz poprawkach do nich. W celu oceny zgodności zastosowane zostały następujące normy zharmonizowane:

**EN 55014-1:2017**

**EN 55014-2:2015**

**EN 61000-3-2:2014**

**EN 61000-3-3:2013**

**EN 60335-1:2012+A11+A13**

**EN 60335-2-41:2003+A1+A2**

**EN 62233:2008**

Staphorst, 6 lipca 2021 r.



Meino Seinen, Przedstawiciel ds. QA  
Batavia B.V., Weth. Wassebaliestraat 6d,  
7951 SM Staphorst, Holandia  
Produkt i instrukcja obsługi mogą ulec  
zmianie. Dane techniczne mogą zostać  
zmienione bez wcześniejszego  
powiadomienia.

# BATAVIA

## 2 YEAR WARRANTY

### This product has got a 2 year warranty

Dear Client, if for any reason this product is not working, please ensure you contact our [Client Service Centre](#). Ensure you have your original receipt of purchase. This warranty covers all defects in workmanship or materials in this Batavia product for a two year period from the date of purchase. The warranty does not cover any malfunction, or defect resulting from misuse, neglect, alteration, or repair.

### Dieses Produkt hat 2 Jahre Garantie

Sehr geehrter Kunde, unsere Produkte unterliegen einer strengen Qualitätskontrolle. Sollte dieses Gerät nicht einwandfrei sein, so wenden Sie sich bitte immer zuerst an unseren [Kundenservice](#). Bitte bewahren Sie unbedingt den Kaufbeleg auf. Die Garantieleistung gilt nur für Material- oder Fabrikationsfehler. Ausgeschlossen sind Mängel die durch häufigen Gebrauch, missbräuchlicher und unsachgemäßer Behandlung oder Gewalteneinwirkung verursacht worden sind.

### Ce produit a 2 ans de garantie

Cher client, Si pour une raison quelconque, ce produit ne fonctionne pas, veuillez contacter notre [Centre de service après-vente](#). Conservez le bon d'achat original. Cette garantie couvre tous les défauts de matériau et de main d'oeuvre constatés sur ce produit Batavia pendant une période de deux ans à compter de la date d'achat. Les défauts de fonctionnement et autres résultant d'abus ou de mauvais emploi, de négligence, de modifications ou réparations non autorisées sont exclus de la garantie.

### Dit product heeft 2 jaar garantie

Geachte klant, onze producten ondergaan een streng kwaliteitscontrole proces. Wanneer dit product niet correct functioneert, wend u zich alstublieft altijd eerst tot onze [klantenservice](#). Bewaar altijd uw aankoopbewijs. De garantieservice is alleen van toepassing op materiaal- of productiefouten. Uitgesloten zijn gebreken veroorzaakt door intensief gebruik, misbruik en incorrecte behandeling of extern geweld.

### Questo prodotto è garantito per 2 anni

Gentile Cliente, se per una qualche ragione il prodotto non funziona, La invitiamo a mettersi in contatto con il nostro [Centro Assistenza Clienti](#). Si accerti di avere la ricevuta originale dell'acquisto. La garanzia copre tutti i difetti di fabbricazione o di materiale in questo prodotto Batavia per un periodo di 2 anni dalla data di acquisto. La garanzia non copre malfunzionamenti o difetti derivanti da uso inappropriato, improprio, da modifiche o riparazioni.

### Este producto tiene dos años de garantía

Estimado cliente: si por cualquier razón este producto no funciona, póngase en contacto con nuestro [Centro de Atención al Cliente](#). Asegúrese de tener a mano la factura de compra original. Esta garantía cubre todos los defectos de mano de obra o materiales de este producto de Batavia por un periodo de dos años a partir de la fecha de compra. La garantía no cubre ningún mal funcionamiento o defectos resultantes del mal uso, negligencia, alteración o reparación.

### Este produto tem uma garantia de 2 anos

Estimado Cliente, se, por qualquer motivo, este produto não estiver a funcionar devidamente, contacte o nosso [Centro de Apoio ao Cliente](#). Certifique-se de que possui a prova de compra original. Esta garantia cobre todos os defeitos de fabrico ou materiais do produto Batavia durante um período de dois anos, a contar da data de compra. A garantia não cobre quaisquer avarias ou defeitos resultantes de um uso indevido, negligência, modificações ou reparações.

### Produkt posiada 2-letnią gwarancję.

Szanowny Kliencie! Jeśli z jakiegokolwiek powodu niniejszy produkt nie działa, prosimy skontaktować się z naszym [Centrum Obsługi Serwisowej](#). Upewnij się, że posiadasz oryginalny dowód zakupu. Niniejsza gwarancja obejmuje wszystkie wady produkcyjne i materiałowe w produktach Batavia przez okres dwóch lat od daty zakupu. Gwarancja nie obejmuje żadnych usterek lub uszkodzeń wynikających z nieprawidłowego użycia, zaniedbania, modyfikacji lub naprawy.

**Deutschland – Kundenservice** – Montag bis Freitag von 9 bis 17 Uhr

☎ **01805 937 832\***

**Other European countries – Customer Services /**

**Autres pays d'Europe – Service clientèle /**

**Overige landen Europa – Klantenservice**

Monday till Friday from 8 am until 4 pm / Lundi jusqu'à Vendredi

de 9 - 17 heure / Maandag t/m vrijdag van 9 tot 17 uur

☎ **00800 664 774 00**



\*Nur €0,14 /Minute aus dem dt. Festnetz,  
max. €0,42/Minute aus den Mobilfunknetzen

**Model: BT-RBP001**  
**Item-No.: 7063549**  
[www.batavia.eu](http://www.batavia.eu) | [info@batavia.eu](mailto:info@batavia.eu)

7063549/7