



Visit website for available languages of this document.



RAIN COVER
10ERC



RAIN ACCESSORY
10ERA



MOUNTING BRACKET
10EMB



CEILING ACCESSORY
10ECA



SPACER
10EAGLESPACER



EAGLE SPACER V
10EAGLESPACERV

PRECAUTIONS



- Maintain a clean and safe environment when working in public areas.
- Constantly be aware of pedestrian traffic around the door area.
- Always stop pedestrian traffic through the doorway when performing tests that may result in unexpected reactions by the door.
- Ensure compliance with all applicable safety standards (i.e. ANSI A156.10) upon completion of installation.

Reference *EAGLE FAMILY User's Guide (75.5957)* for full *EAGLE* installation and setup.

BEA, INC. INSTALLATION/SERVICE COMPLIANCE EXPECTATIONS

BEA, Inc., the sensor manufacturer, cannot be held responsible for incorrect installations or incorrect adjustments of the sensor/device; therefore, BEA, Inc. does not guarantee any use of the sensor/device outside of its intended purpose.

BEA, Inc. strongly recommends that installation and service technicians be AAADM-certified for pedestrian doors, IDA-certified for doors/gates, and factory-trained for the type of door/gate system.

Installers and service personnel are responsible for executing a risk assessment following each installation/service performed, ensuring that the sensor/device system performance is compliant with local, national, and international regulations, codes, and standards.

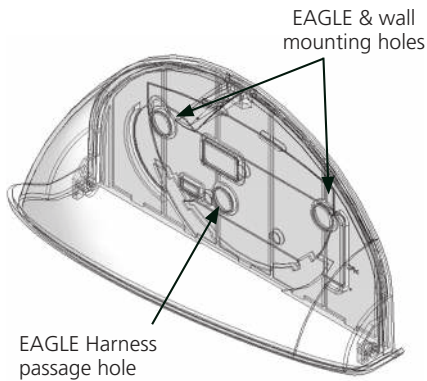
Once installation or service work is complete, a safety inspection of the door/gate shall be performed per the door/gate manufacturer's recommendations and/or per AAADM/ANSI/DASMA guidelines (where applicable) for best industry practices. Safety inspections must be performed during each service call – examples of these safety inspections can be found on an AAADM safety information label (e.g. ANSI/DASMA 102, ANSI/DASMA 107, UL294, UL325, and International Building Code).

Verify that all appropriate industry signage, warning labels, and placards are in place.

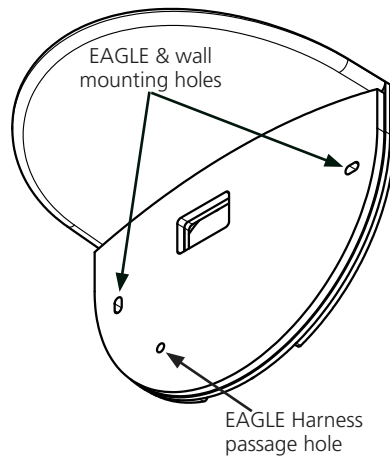


INSTALLATION

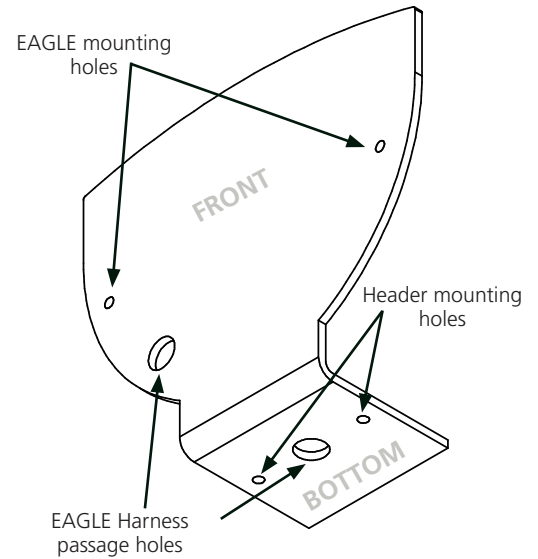
RAIN COVER 10ERC



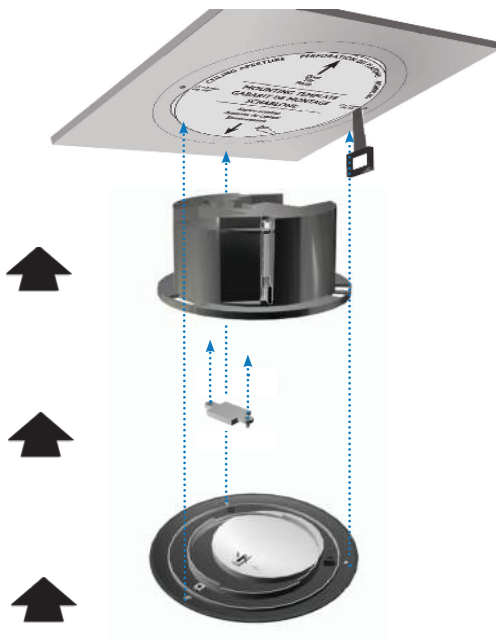
RAIN ACCESSORY 10ERA



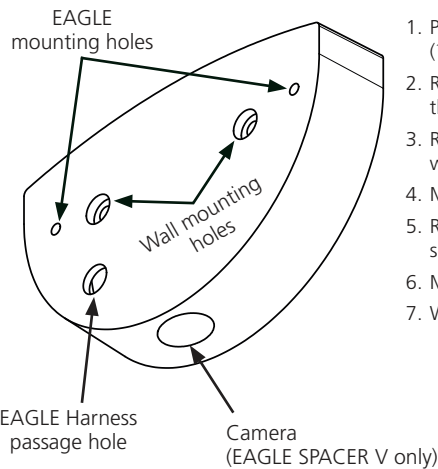
MOUNTING BRACKET 10EMB



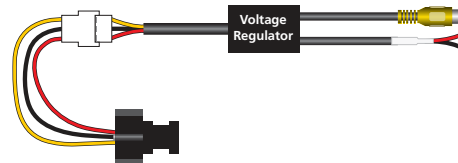
CEILING ACCESSORY 10ECA



SPACER / SPACER V 10EAGLESPACER / 10EAGLESPACERV



1. Pre-drill the EAGLE Harness passage hole (1/4" for SPACER, 1/2" for SPACER V).
2. Route the EAGLE Harness through the wall/header and then through the designated pass-thru on the spacer.
3. Route the EAGLE SPACER V camera harness through the wall/header and then plug into SPACER V connector.
4. Mount the spacer to wall/header using self-drilling screws.
5. Route the EAGLE Harness through the pass-thru on the sensor.
6. Mount sensor to accessory.
7. Wire the EAGLE Harness to the sensor.



CAMERA TECHNICAL SPECIFICATIONS

Voltage regulator (built into wire harness):	6.6 – 36 VDC (±10%) 6 – 28 VAC (±10%)
Operating temperature:	-30 – 60 °C (max. RH: 95%)
Video output:	1.0 (Vp-p) / 75Ω
Image Sensor:	CMOS
Horizontal resolution:	480 TVL
NTSC output:	720 (H) × 480 (V)
Sync system:	Inter-Sync
Frame rate:	30 fps
Min. illumination:	0.01 LUX
AE control:	auto
Gain control:	auto
Elec. shutter:	1 s ~ 1/10,000 s
S/N ratio:	> 50 dB
AWB:	auto