

EN

# MAGNETIC WIRELESS CAR CHARGER

## Introduction

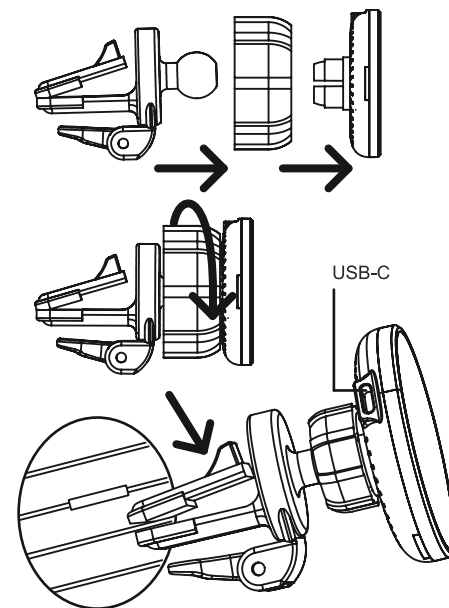
Discover true wireless freedom with this Magnetic Car Phone Charger. Featuring 10W Fast Wireless charging, this device can charge your mobile phone quickly and efficiently while keeping your hands free. Meanwhile, a powerful magnet holds your phone securely in place. The highly flexible magnetic clip-on mount can even rotate 360°, providing infinite viewing angles for your convenience. Simply clip the mount onto your car vent, connect the charger to a USB power source, and place your phone on the charging disk to instantly begin the wireless charging process.

## Features

- 10W Fast wireless charging
- Powerful magnetic mount holds your phone securely in place
- Full 360° phone screen rotation
- Compatible with iPhone 12 series and up and Magnetic Charging phone cases
- Includes a magnetic ring for non-Mag Safe enabled iPhones and thick phone cases

## What's in the Box

- Magnetic wireless phone charger
- Charging cable
- Metal ring
- Clip-on base
- Fastener
- User guide



## How to Assemble

1. Insert the fastener onto the ball joint of the clip-on base.
2. Insert the clip-on base's ball joint into the charger's socket and tighten the fastener.
3. Clip the charger onto your vehicle's vents.
4. Plug one end of the USB-C charging cable into the magnetic wireless phone charger, and the other end into your vehicle's USB power source.
  - a. The indicator lights on the side of your magnetic wireless charger will flash blue once when the device is turned on.
  - b. They will stay solid blue once a phone is connected and charging.
5. Attach your phone to the magnetic wireless car charger to begin charging.
6. If your phone is not MagSafe enabled, or if it has a thick phone case, use the included metal ring to attach your phone to the Magnetic Car Phone Charger.
  - a. Peel the adhesive backing off and stick the metal ring to your phone or phone case.

## Product Specifications

- Input voltage: 9V === / 1.6A
- Output power: 10W / 7.5W / 5W
- Transmission distance: ≤ 8mm
- Frequency Range: 110~205KHz
- Max RF H-Field Strength: 33.36dBuA/m@3m

## Warnings & Safety Precautions

- Do not expose this unit to extremely high or low temperatures. Avoid exposing this device to high levels of humidity, as that might damage its internal circuitry.
- Keep the charger away from children. This device is not a toy.
- Always unplug the charger from its power source when not in use.
- Do not attempt to modify or disassemble the device in any way.
- Stop using the charger immediately if it is damaged, has visibly exposed parts or is malfunctioning in any way.



Electric and Electronic devices as well as batteries must not be disposed of with household waste. For more information about where you can drop off your waste product for recycling please contact your local authority.

This product is not licensed, designed, sponsored, endorsed, or manufactured by Apple Computer Inc. Only use the charging cable with a USB connection. BSEU approved. 2A max, 5V power supply. If there are any signs of wear and tear, please discard the cable immediately. Do not use if the connections are loose.

Declaration of Conformity: Hereby, Shenzhen Kinlan Technology Company Limited declares that the radio equipment type Magnetic Wireless Car Charging Vent Mount is in compliance with Directive 2014/53/EU.

The full text of the EU declaration of conformity is available at the following internet address: <https://www.primark.com/en-gb/doc>

Hereby, Shenzhen Kinlan Technology Company Limited declares that the radio equipment type Magnetic Wireless Car Charging Vent Mount is in compliance with Radio Equipment Regulations 2017.

The full text of the declaration of conformity is available at the following internet address: <https://www.primark.com/en-gb/doc>

This Device complies with Part 15 of the FCC Rules. Operation is subject to the following two conditions: (1) this device may not cause harmful interference, and (2) this device must accept any interference received, including interferences that may cause undesired operation. Changes or modifications not expressly approved by the party responsible for compliance could void the user's authority to operate the equipment.

**NOTE:** This equipment has been tested and found to comply with the limits for a Class B digital device, pursuant to Part 15 of the FCC Rules. These limits are designed to provide reasonable protection against harmful interference in a residential installation. This equipment generates, uses, and can radiate radio frequencies, and can cause harmful interference to radio communication if not installed and used in accordance with the instructions. However, there is no guarantee that interference will not occur in a particular installation. If this equipment does cause harmful interference to radio or television reception, which can be determined by turning the equipment off and on, the user is encouraged to try to correct the interference by one of the following measures:

- Reorient or relocate the receiving antenna.
- Increase the distance between the equipment and the receiver.
- Connect the equipment to an outlet on a circuit different from that to which the receiver is connected.
- Consult the dealer or an experienced radio/TV technician for help.

This equipment complies with FCC radiation exposure limits set forth for an uncontrolled environment. This equipment should be installed and operated with a minimum distance of 15 cm between the radiator & your body.



Made in China / Fabricado en China / Fabricado na China / Hergestellt in China / Fabriqué en Chine / Gebruikt in China / Prodotto in Cina / Wyprodukowano w Chinach / izdelano na Kitajskem / Vyrobeno v Čine / Fabricat a la Xina / κταρκευαοεμένο στην Κίνα / Fabricate în China / Kinaban készült / Fabricate în China

PRIMARK LIMITED, PO BOX 644, ARTHUR RYAN HOUSE, 22-24 PARNELL STREET, DUBLIN 1, IRELAND  
DISTRIBUTED BY PRIMARK LIMITED, 41 WEST STREET, READING, RG1 1TZ UK,  
CF-983875427

RN CODE: 145478 SEASON: SS23