

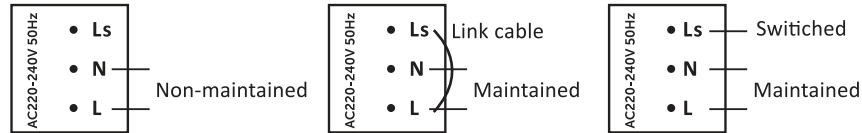
Installation Instructions: Emergency Bulkhead (09040V2)

Read these instructions before installation and retain for future reference
This equipment should be installed by a competent electrician



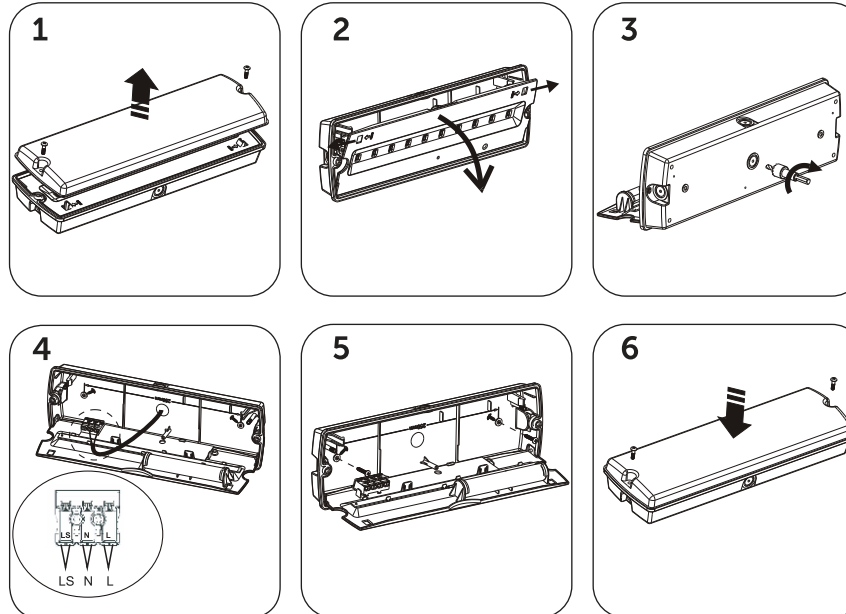
Installation:

1. Connect mains supply wiring as follows L(Live) N(Neutral)



(Non-maintained operation) (Maintained operation) (Switchable maintained operation)

2. Power line & battery wires should be connected securely, and all screws fixed.
3. Switch on 220-240V AC supply and check if the green LED indicator illuminates to confirm charging of batteries.
4. Allow a short period for part charging of the batteries and then isolate the mains supply to the fitting in order to check the correct operation of the fitting in emergency mode. In the first use, after a continuous charge for 24 hours, a mains failure should be simulated to ensure that the fitting work for its specified time (only at a safe & appropriate time). The fitting will be fully charged with 24 hours continuous charging.



Specification

1. Operating environmental temp: 0 to +35°C
2. Operating relative humidity: less than 90%.
3. Rated voltage: 220-240V 50/60Hz.
4. Wattage: 3.3W.
5. Conversion time: 1 second.
6. LED:SMT 2835 LED*8pcs.
7. Emergency duration; more than 180 minutes
8. Battery installed or replaced:
LiFePO4 3.2V 1500mah
9. Recharge time: 24 hours

Important Information

We recommend that luminaires are installed by a qualified electrician ensuring the installation complies with current IEE wiring regulations BS7671:2018 & local building control.

- All tests should be carried out in accordance to EN 50172:2004.
- BELL will not accept responsibility for any claims arising from a poor installation.
- The light source of this luminaire is not replaceable; when the light source reaches end of life, the whole luminaire must be replaced.

Important User Advice

- Ensure that there is adequate free air ventilation around the fitting
- Always switch off mains supply before installing



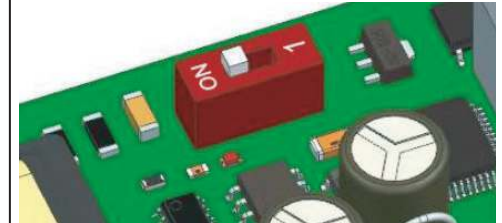
09042



09043

The instruction of the switch on PCB.
 On indicates standard mode
 1 indicates self-test mode

Pls make sure that switch position is set before installation.



RECOMMENDED ROUTINE TEST PROCEDURE

The following tests are designed to ensure the continued protection of your premises and occupants. Because of the possibility of a failure of the normal lighting supply occurring shortly after a period of testing, all tests should, whenever possible, be undertaken at times of least risk, e.g. during daylight hours.

ONCE A DAY

Visual inspection of battery charge led.

ONCE A MONTH

Each unit should be energised from its battery for adequate time to ensure, by simulation of a failure of the normal lighting supply, the emergency mode is functioning correctly.

ONCE EACH YEAR

All units should be placed into emergency mode and checked that the duration provided by the battery meets the specified time period.

This product may contain substances that can be hazardous to the environment if not disposed of properly. Electrical and electronic equipment should never be disposed of with general household waste but must be separated for its correct treatment and recovery.

Where possible recycle your packaging.

Self-Test

Self-Test fittings perform a self-commissioning test at first power on. After charging for 24 hours a full duration test (3 hours) is performed. Initial function and duration tests are randomly generated. They are then performed in accordance with standard requirements (every 30 days for function tests and every 52 weeks for duration tests).

A single bi-colour indicator LED is fitted in all Self-Test products. This LED is clearly visible for manual inspection. It indicates the module status. The LED shows permanent green or flashing green when conditions are normal and flashing red if a fault condition is present

Function test

A function test is a 2 minutes test that simulates a mains failure and checks the operation of the emergency light source from the battery supply.

The local indicator LED slow flashes green whilst the 2 minutes function test is in progress.

If there is a failure during a function test the local indicator LED changes to a flashing red.

Duration test

A duration test simulates a mains failure. It also checks the operation of the emergency light source from the battery supply for the rated duration of the module.

The local indicator LED fast flashes green whilst the duration test is in progress.

If there is a failure during a duration test the local indicator LED either changes to flashing red. The battery is required to be fully charged before a duration test can be started.

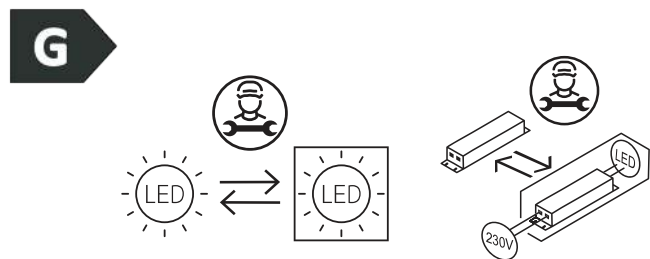
The test button of the unit has the following functions:

Test Button	Green LED	Status
Press for approx 1 Second	Off	Emergency mode for 1 second
Press for approx 5 Seconds	Slow flash	Function for 30 seconds
Press for approx 7 Seconds	Fast Flash	3 Hour duration test
Press for approx 10 Seconds		End the duration test

Please refer to following chart below for more complete description/fault indication:

Test Button	Green LED	Status
Green solid	Mains on / No fault	
Green flash	Slow flash	Function for 2 minutes
	Fast flash	3 hour duration test
Red flash	1 Flash cycle	Battery fault
	2 Flash cycle	Lamp fault
	3 Flash cycle	Duration test fault

Conducting additional manual tests of self-test fittings may significantly reduce battery life





Testing & Commissioning for Emergency Luminaire

- Ensure the Load is connected.
- Connect the battery.
- Switch on the Unswitched Supply - Check the Charge LED illuminates.
- Switch on the Maintained Supply - Check the LED illuminates as normal.
- Switch off the Maintained Supply.
- Switch off the Unswitched Supply - Check the Charge LED extinguishes and the load LED illuminates at a reduced output.
- Enter the commissioning date on the Battery Pack. Switch on the Unswitched Supply

Luminaire Ref/Location		In Case of difficulty, contact the Installation Engineers:-									
_____		_____ Tel: _____					_____				
Full Recharge Time 24 Hours		Duration 3 Hours					Lamp Type - LED				
ROUTINE TEST RECORD											
Monthly Test	Year 1		Year 2		Year 3		Year 4		Year 5		
	Signed	Date	Signed	Date	Signed	Date	Signed	Date	Signed	Date	
Functional											
Functional											
Functional											
Functional											
Functional											
Functional											
Functional											
Functional											
Functional											
Functional											
Three Hour											