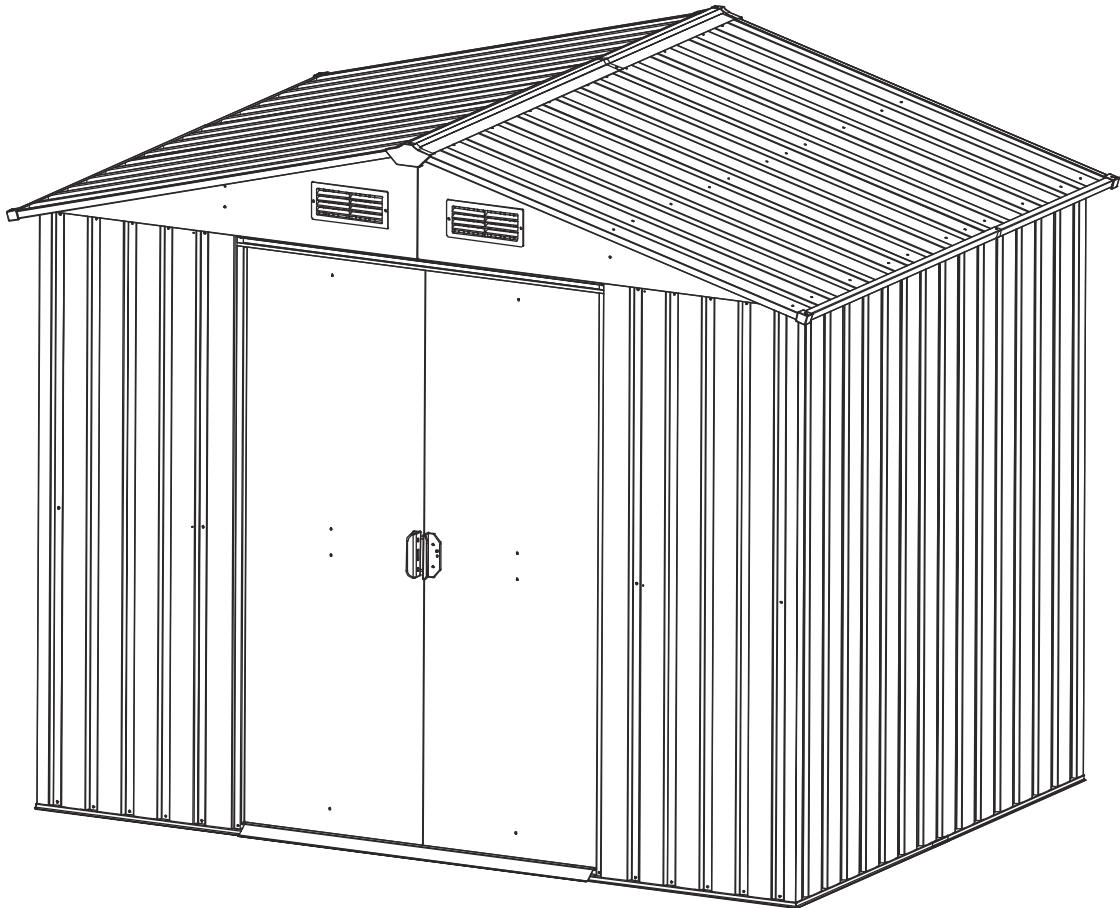


Cooper Metal Shed



BELLEZE[®]

FOLLOW US:

CONTACT INFO:

ITEM NO. 014-HG-17061



@bellezefurniture

support@belleze.com
1-800-682-6376

The instruction booklet contains **IMPORTANT** safety information. Please read it in full and keep it for future reference.

www.belleze.com

Scan this QR Code
to view our online tutorial



Estimated time for assembly:

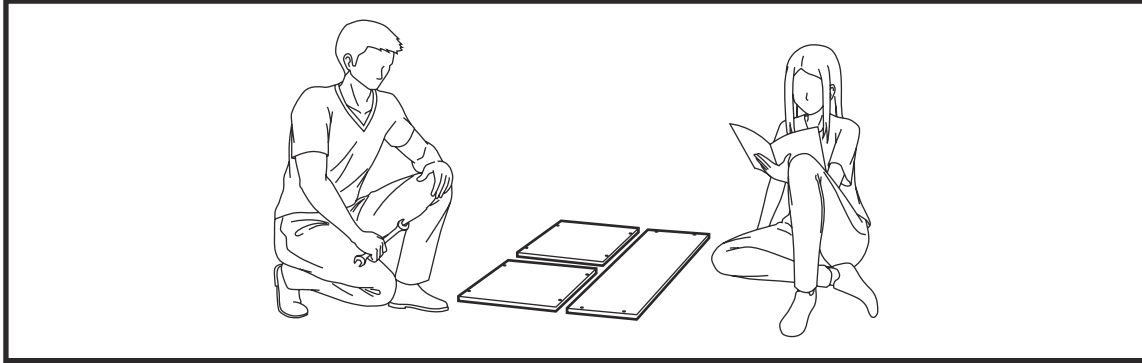
5 hours

ATTENTION

Before Installation, you must check building code or contact your local government authority to determine if building approval is required.

For safety, please keep pets and children away from the assembly area.

Ensure the product is fully assembled before use. If you are missing any hardware or products, do not use it until you have restored the missing parts. Note that extra hardware has been supplied for your convenience.



This furniture requires at least 2 people for assembly.

Read this instruction manual prior to assembly to familiarize yourself with the various steps and hardware.

Lay out all components and hardware separately on a flat surface and make sure that no parts are missing or damaged before assembly. Do not destroy or discard any packaging until you are certain that you have all the necessary parts for assembly.

Hand tight all hardware and careful not to over tighten to avoid damaging the product.

CAUTION

There are small components used in the construction of this product. Loose items should be kept away from pets and children to avoid a choking hazard. Keep all plastic bags and packaging film away from pets and children to avoid suffocation.

Be sure to assemble this product in a dry and calm day.

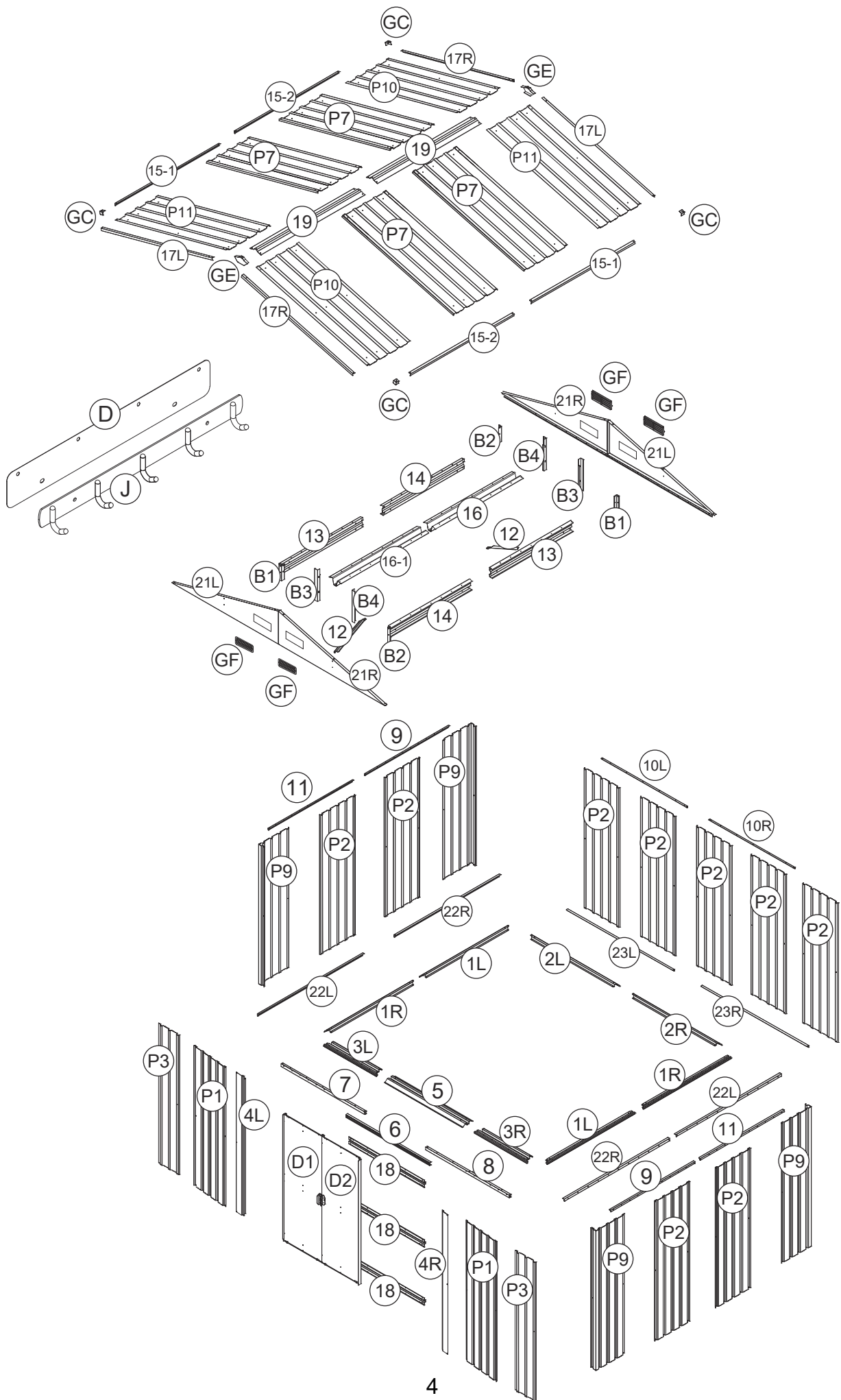
DO NOT attempt to assemble the shed in a rainy or windy day to avoid the risk of personal injury and / or damage to the product

WARNING



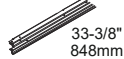


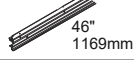



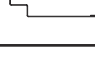
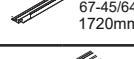

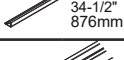


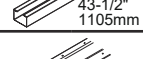

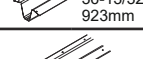


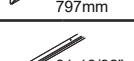

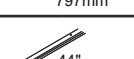



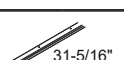
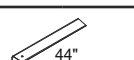

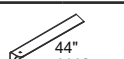


The shed must be placed and anchored on top of a base that is leveled all around. The base can be constructed with treated timber or concrete to prevent moisture from entering the shed.

If concrete pad is used as a base, make sure there are slopes slanted toward the outer edges to prevent water accumulation or backflow into the shed.

PACKAGE CONTENTS





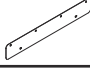

PACKAGE CONTENTS

CODE	DESCRIPTION	PART	QTY
1L	Left Side Floor Frame	 	2
1R	Right Side Floor Frame	 	2
2L	Left Rear Floor Frame	 	1
2R	Right Rear Floor Frame	 	1
3L	Left Front Floor Frame	 	1
3R	Right Front Floor Frame	 	1
4L	Left Door Jamb	 	1
4R	Right Door Jamb	 	1
5	Ramp	 	1
6	Door Track Splice	 	1
7	Left Door Track	 	1
8	Right Door Track	 	1
16	Roof Beam	 	1
16-1	Roof Beam	 	1
22L	Left Side Wall Channel	 	2
22R	Right Side Wall Channel	 	2
23L	Left Rear Wall Channel	 	1
23R	Right Rear Wall Channel	 	1
9	Side Wall Angle - 1	 	2
10L	Rear Wall Angle - 1	 	1
10R	Rear Wall Angle - 2	 	1
11	Side Wall Angle - 2	 	2

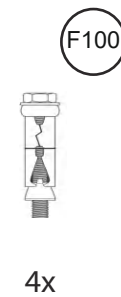
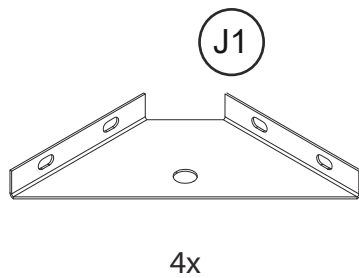
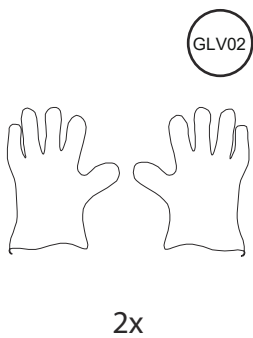
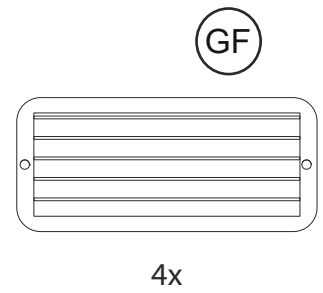
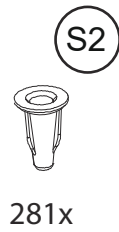
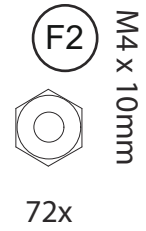
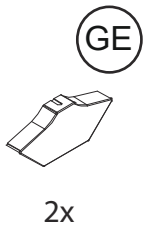
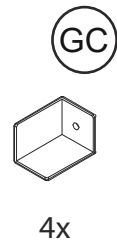
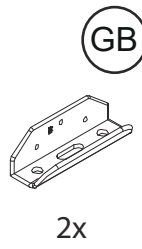
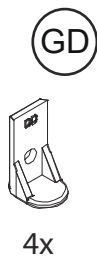
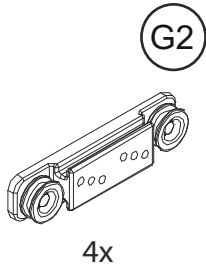
PACKAGE CONTENTS

CODE	DESCRIPTION	PART	QTY
12	Roof Beam Splice	 14" 356mm	2
13	Roof Beam L	  33-1/2" 852mm	2
14	Roof Beam R	  33-1/2" 852mm	2
15-1	Side Roof Trim	  34-1/2" 876mm	2
15-2	Side Roof Trim	  34-1/2" 876mm	2
17L	Roof Trim - 1	  47-1/2" 1207mm	2
17R	Roof Trim - 2	  47-1/2" 1207mm	2
18	Horizontal Door Brace	  17" 432mm	6
19	Ridge Cap	  34-1/2" 876mm	2
21L	Left Gable		2
21R	Right Gable		2
B1	Gable Brace - 1	  5-1/2" 139mm	2
B2	Gable Brace - 2	  5-1/2" 139mm	2
B3	Gable Brace - 1	  11-5/16" 286mm	2
B4	Gable Brace - 2	  11-5/16" 286mm	2
P1	Wall Panel-2	  (67-45/64") 1720mm	2
P2	Wall Panel - 1	  (67-45/64") 1720mm	9
P3	Wall Panel - 3	  (67-45/64") 1720mm	2
P9	Corner Panel	  (67-45/64") 1720mm	4
P10	Roof Panel - 1	  (47-1/2") 1207mm	2
P11	Roof Panel - 2	  (47-1/2") 1207mm	2
P7	Roof Panel - 3	  (47-1/2") 1207mm	4

PACKAGE CONTENTS

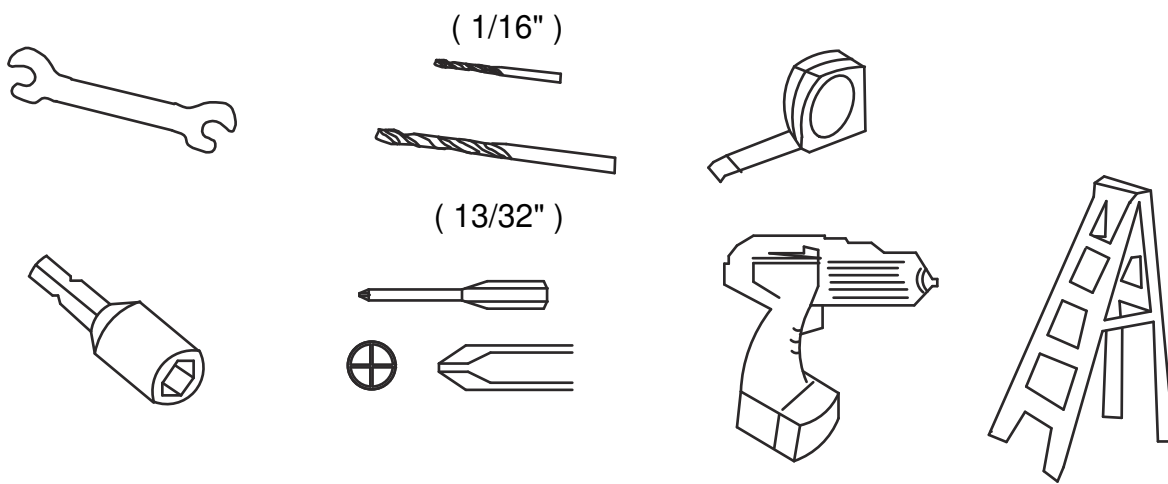
CODE	DESCRIPTION	PART	QTY
D1	Door - 1	 (67-19/64"x17") 1710X432mm	1
D2	Door - 2	 (67-19/64"x17") 1710X432mm	1
D	Connecting panel	 (14-11/64"x2-1/8") 36x5.4cm	2
J	Stainless Steel Hanger	 (14-11/64"x1-7/8") 36x4.8cm	2

PACKAGE CONTENTS



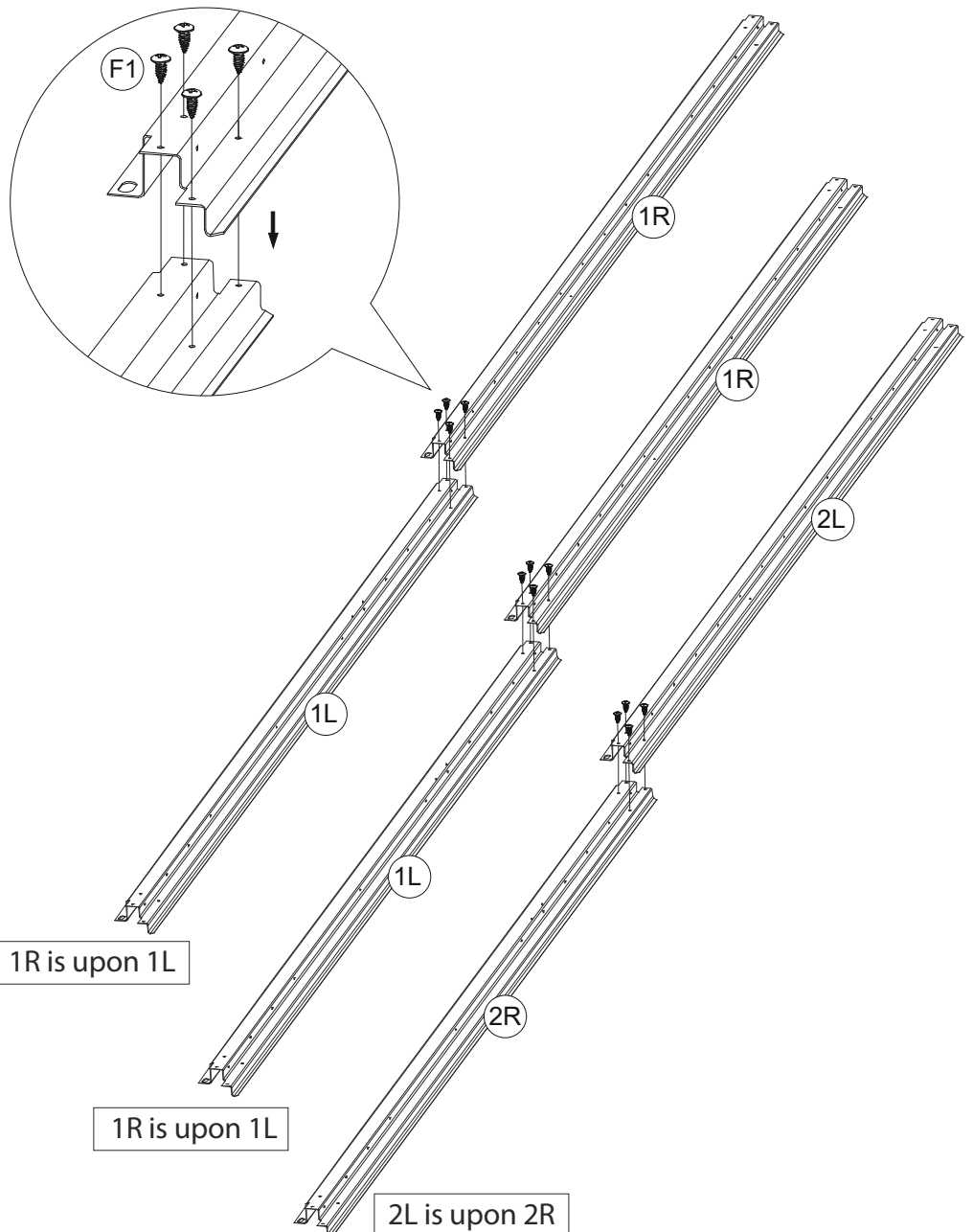
Install all hardware perpendicular to the opening.

Required tools for assembly (Not included)



1

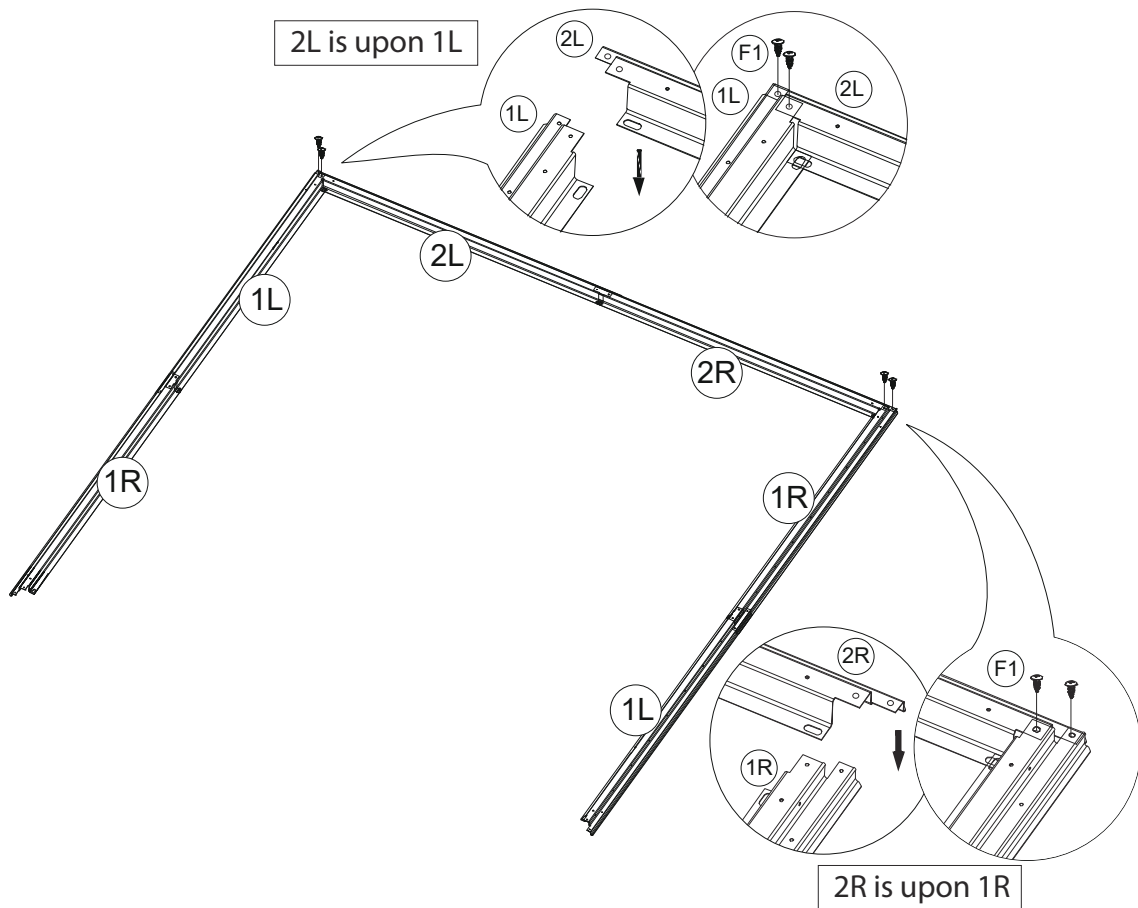
Assemble the left side floor frames (1L) to the right side floor frames (1R). Then assemble the left rear floor frame (2L) to the right rear floor frame (2R).



2



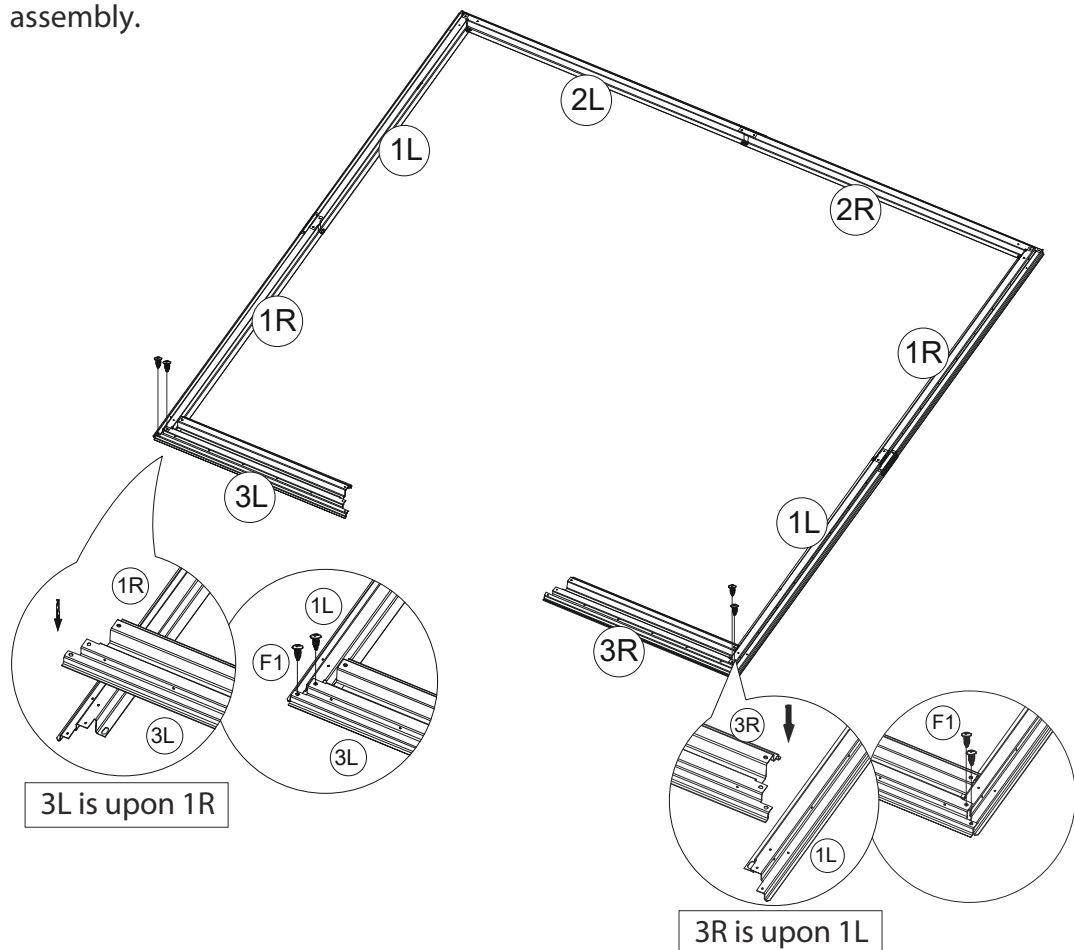
Assemble the side floor frames (1L,1R) to the rear floor frames (2L,2R) .



3



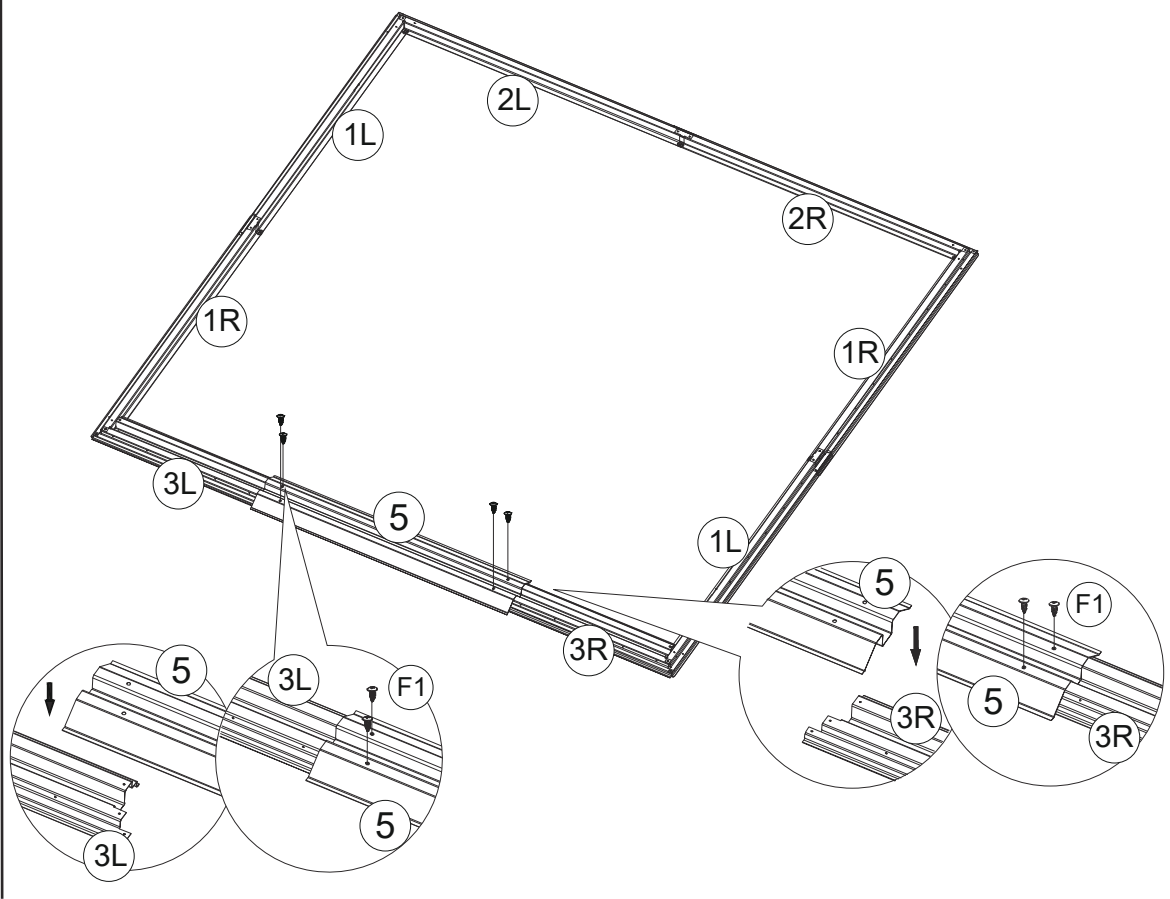
Assemble the left front floor frame (3L) and right front floor frame (3R) to the assembly.



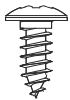
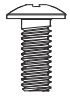
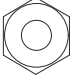

4

-  ST4.2 x 10mm
- (F1) 4x

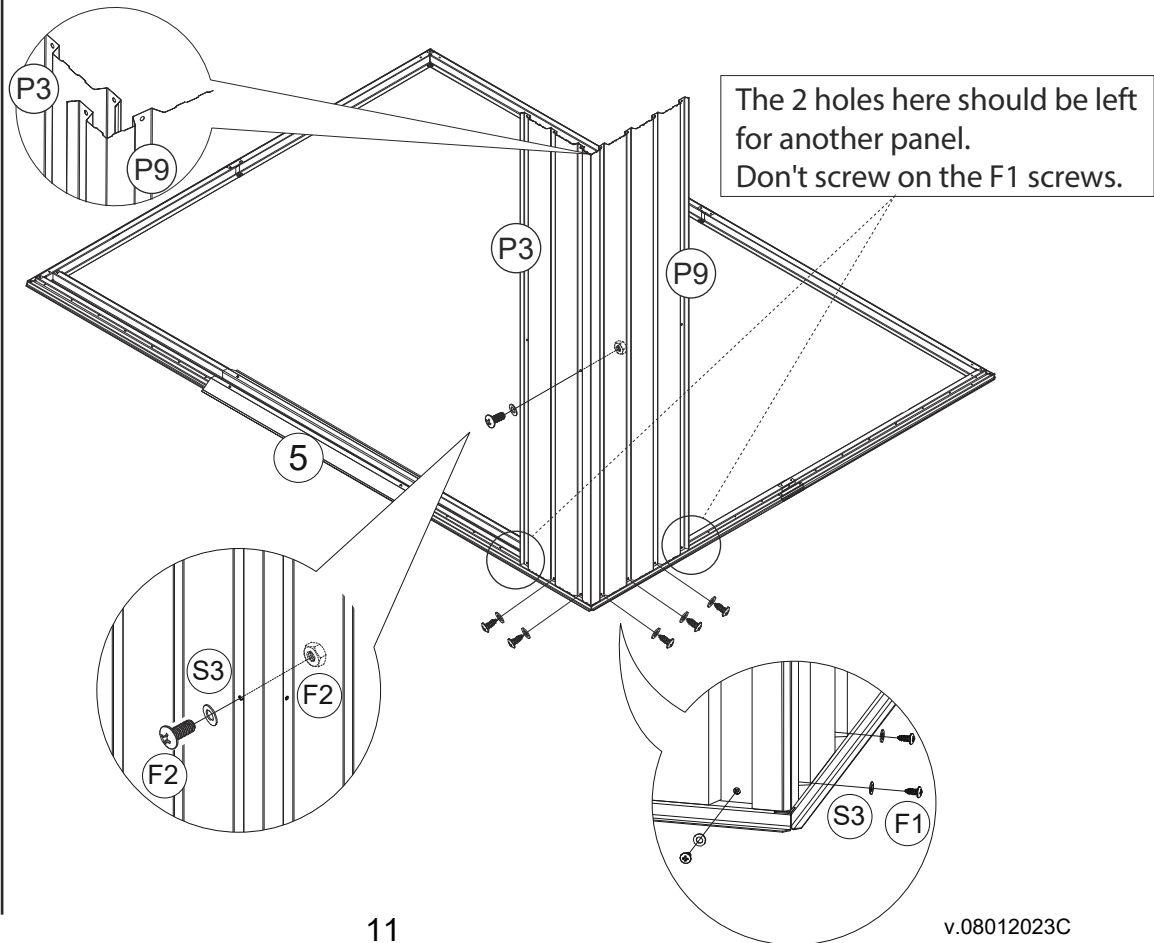
Assemble the ramp (5) to the assembly.



5

-  ST4.2 x 10mm
- (F1) 5x
-  M4 x 10mm
- (F2) 1x
-  M4 x 10mm
- (F2) 1x
- 
- (S3) 6x

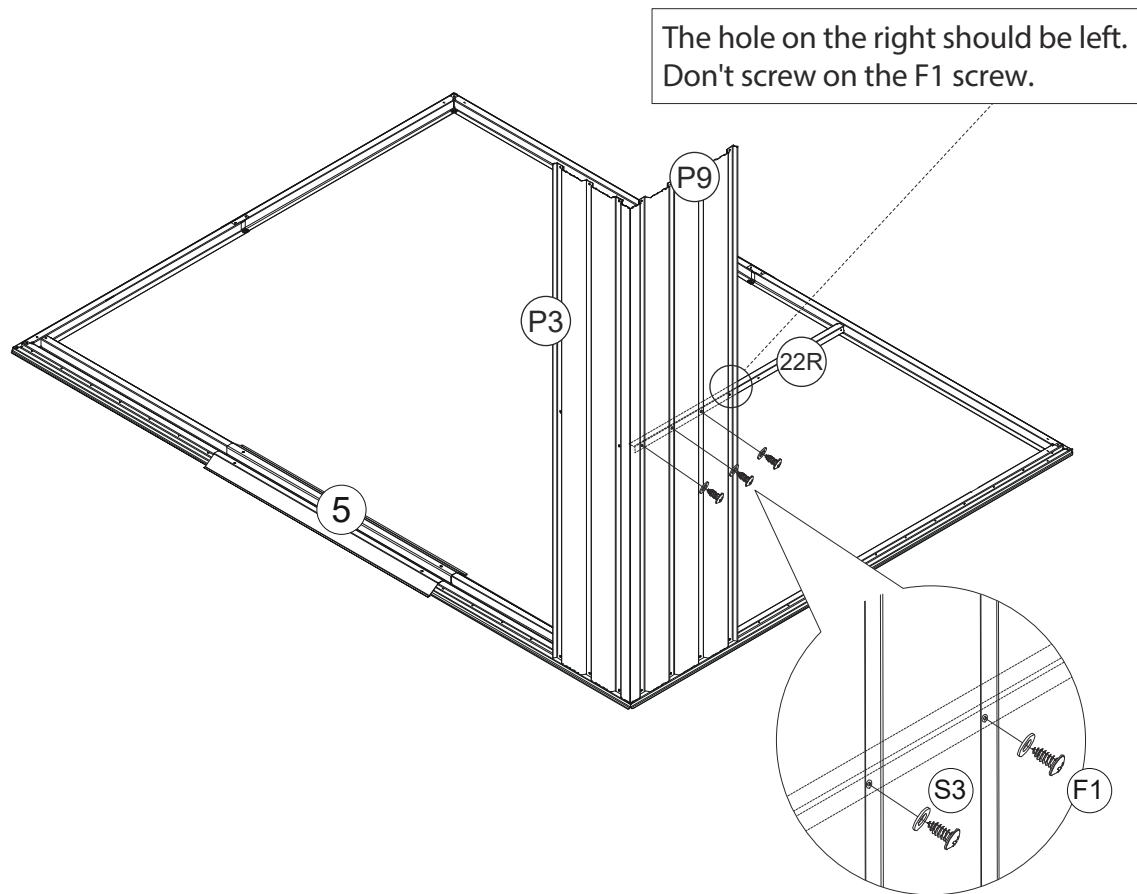
Assemble the wall panel-3 (P3) and corner panel (P9) to the assembly.
1-The code P3/P9 can be found on the back of panel.



6

- ST4.2 x 10mm
- (F1) 3x
- (S3) 3x

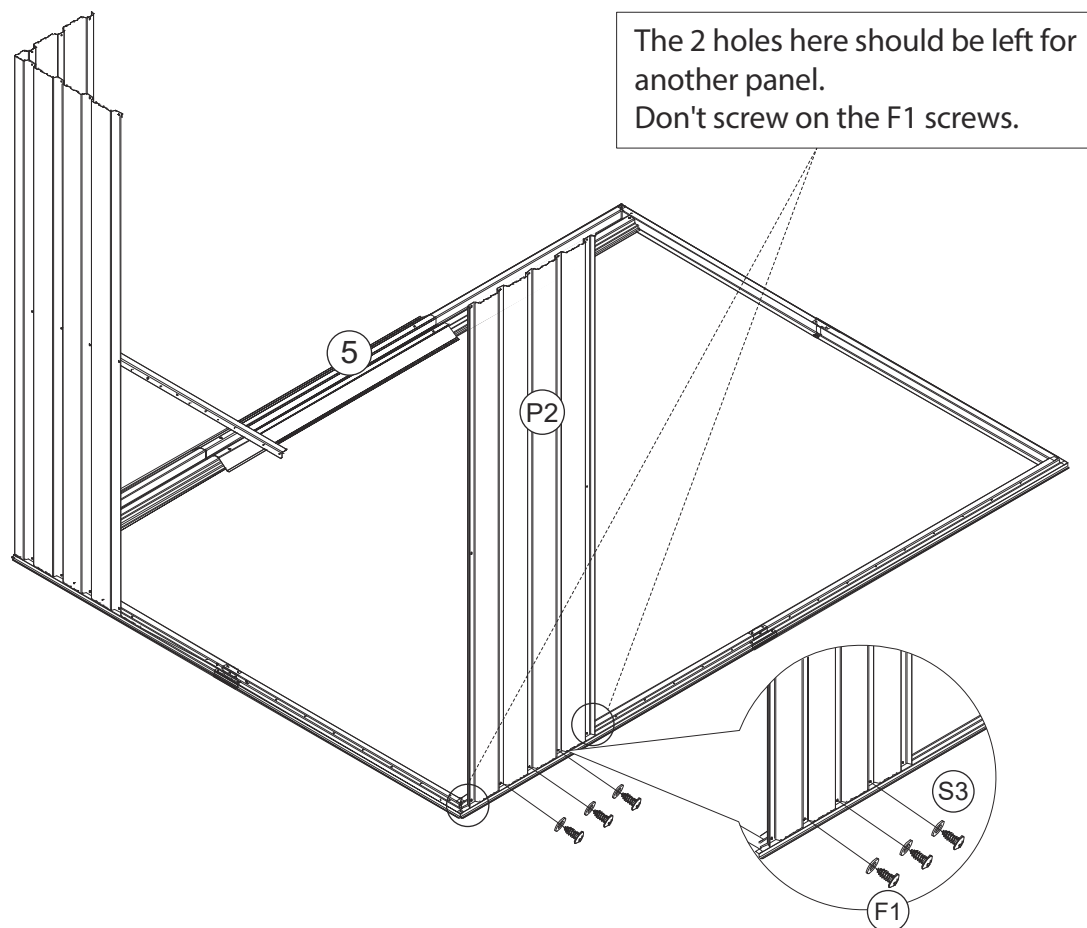
Assemble the right side wall channel (22R) to the corner panel (P9).



7

- ST4.2 x 10mm
- (F1) 3x
- (S3) 3x

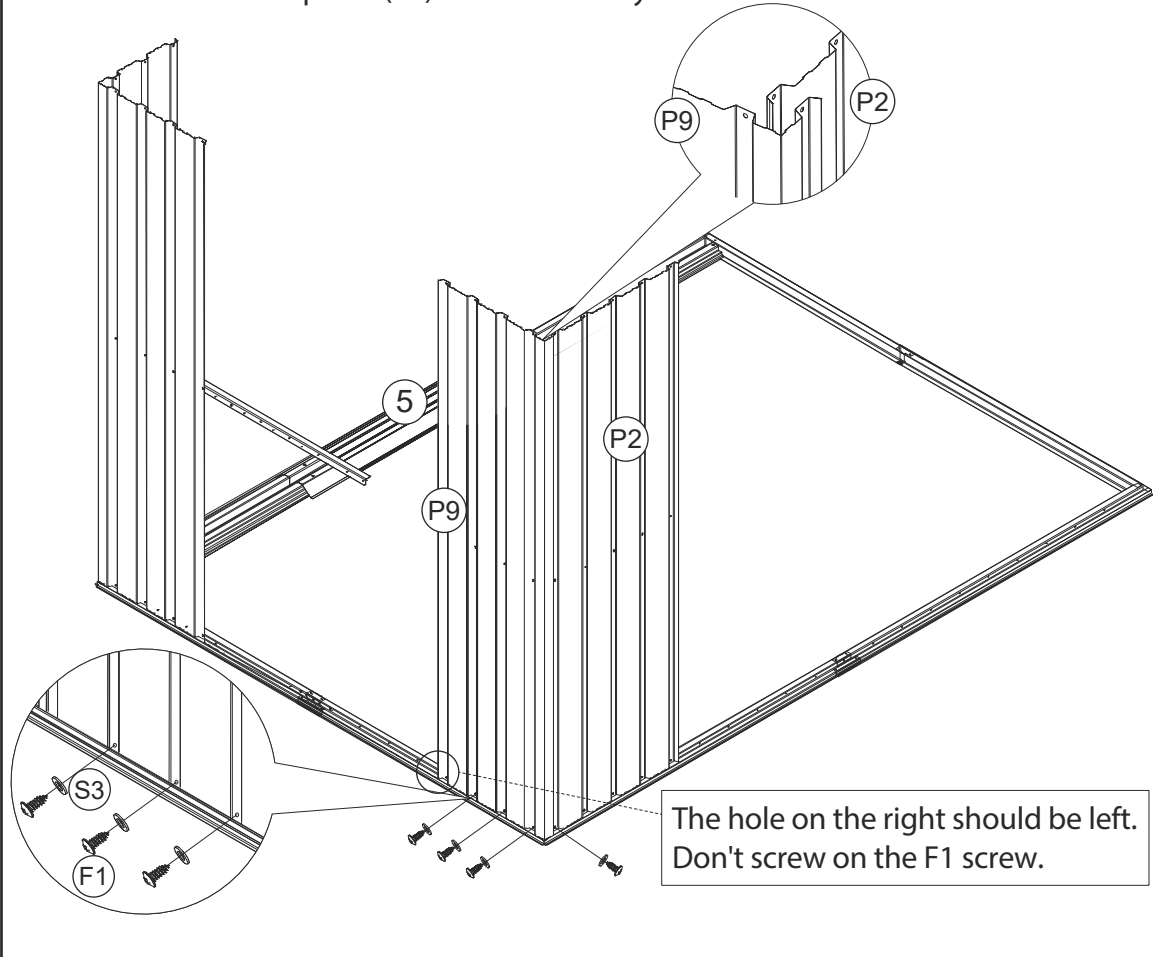
Assemble the wall panel-1 (P2) to the assembly.



8



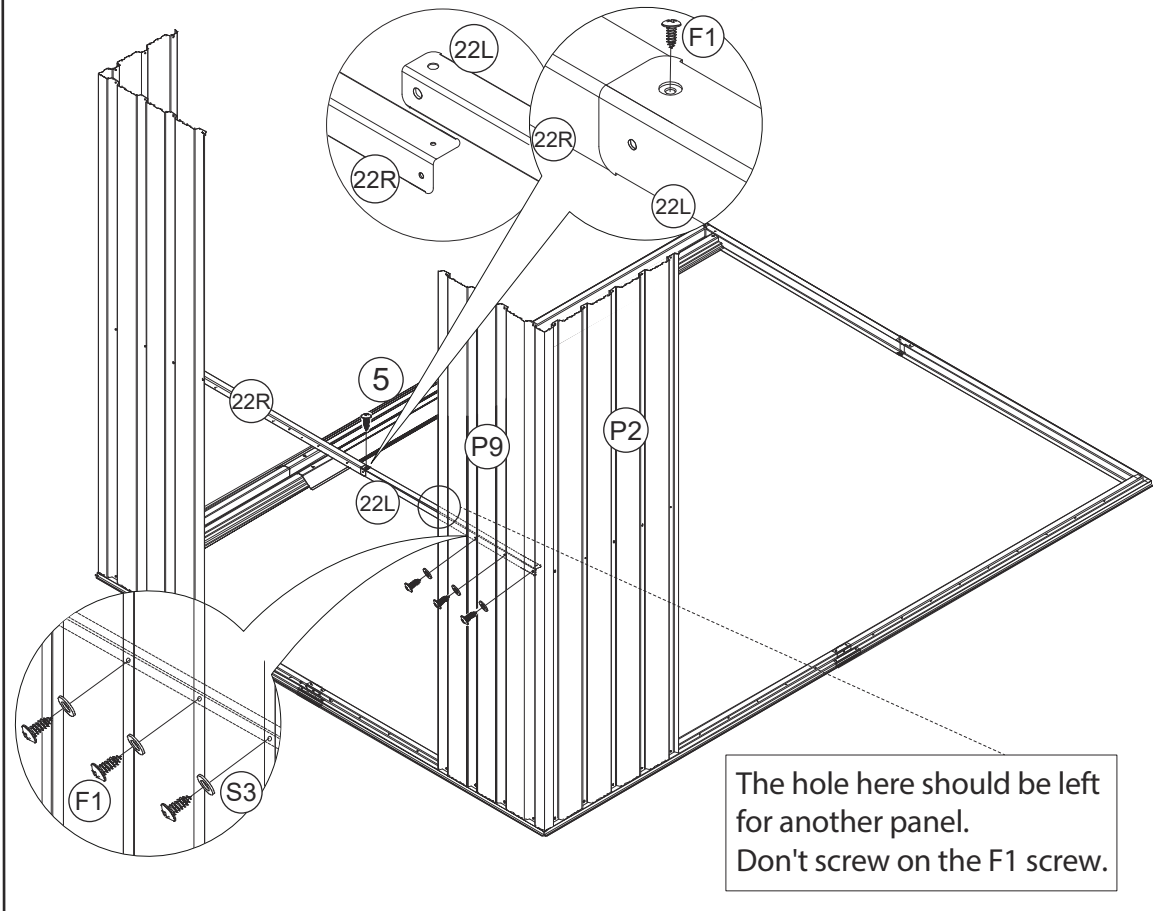
Assemble the corner panel (P9) to the assembly.



9

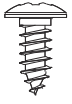


Assemble the left side wall channel (22L) to the assembly.



10

ST4.2 x 10mm

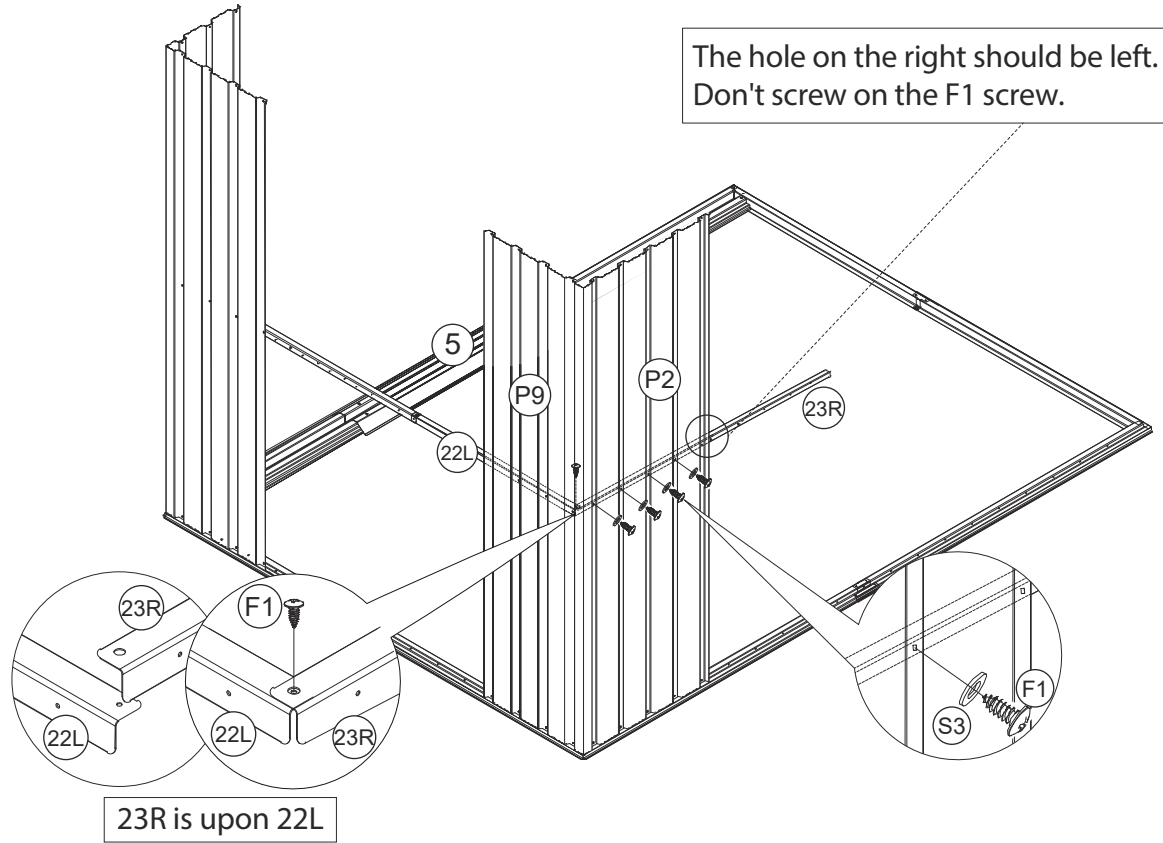


(F1) 5x



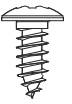
(S3) 4x

Assemble the left rear wall channel (23R) to the assembly.



11

ST4.2 x 10mm

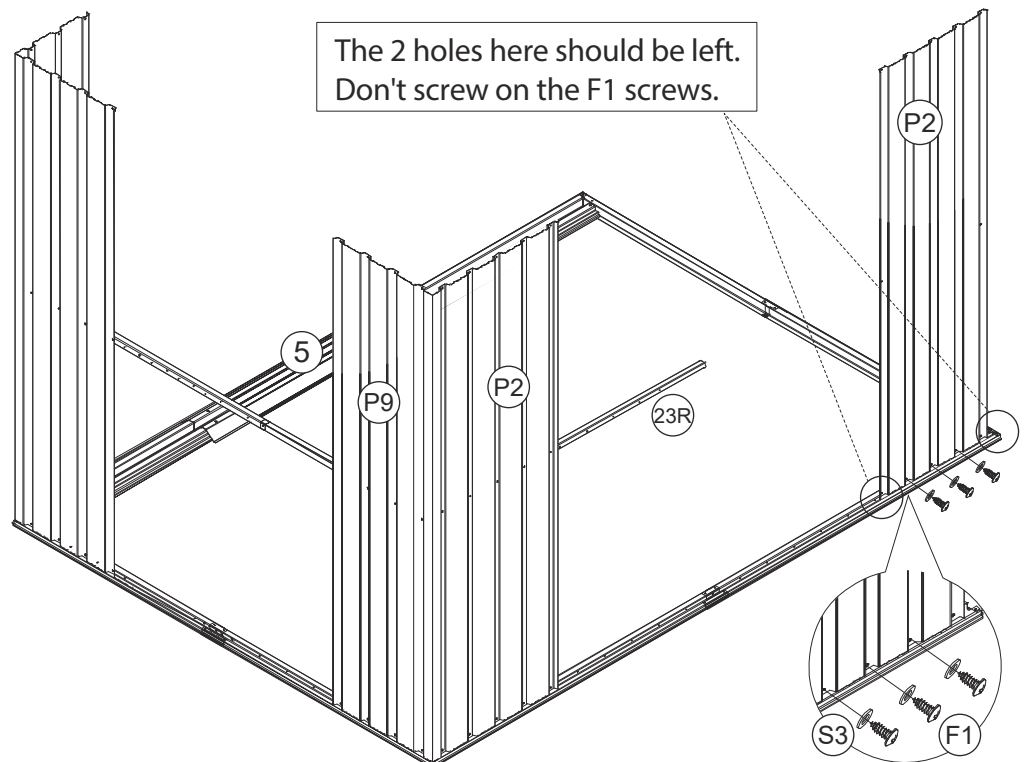


(F1) 3x



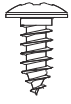
(S3) 3x

Assemble the wall panel-1 (P2) to the assembly.



12

ST4.2 x 10mm

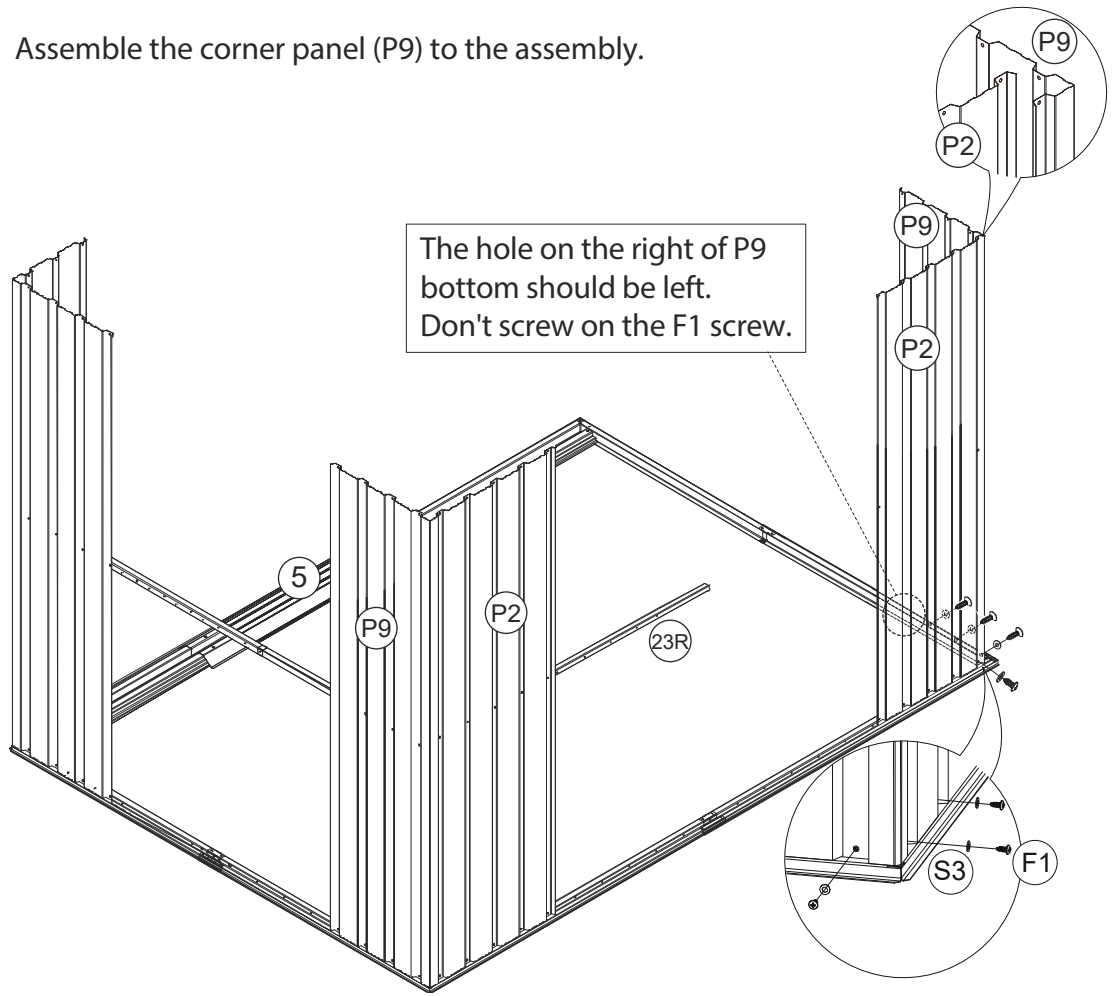


(F1) 4x



(S3) 4x

Assemble the corner panel (P9) to the assembly.



13

ST4.2 x 10mm

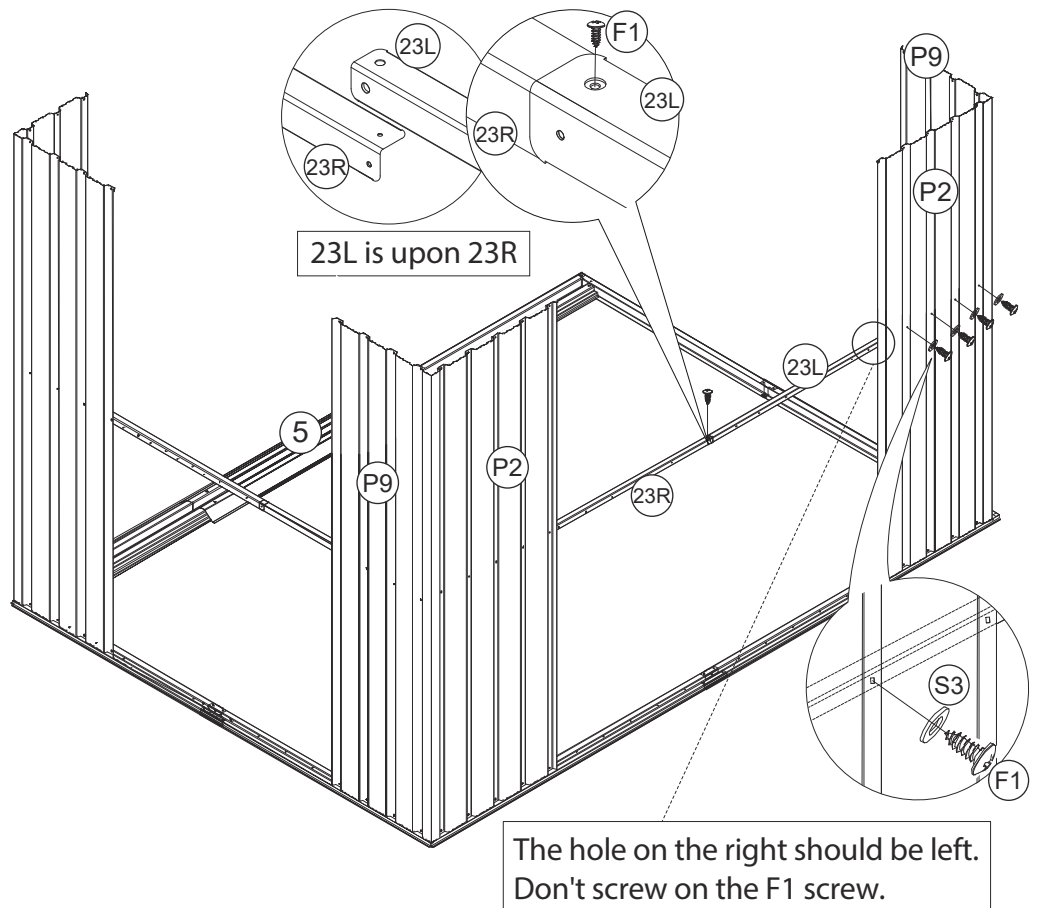


(F1) 5x



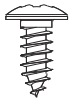
(S3) 4x

Assemble the left rear wall channel (23L) to the assembly.



14

ST4.2 x 10mm



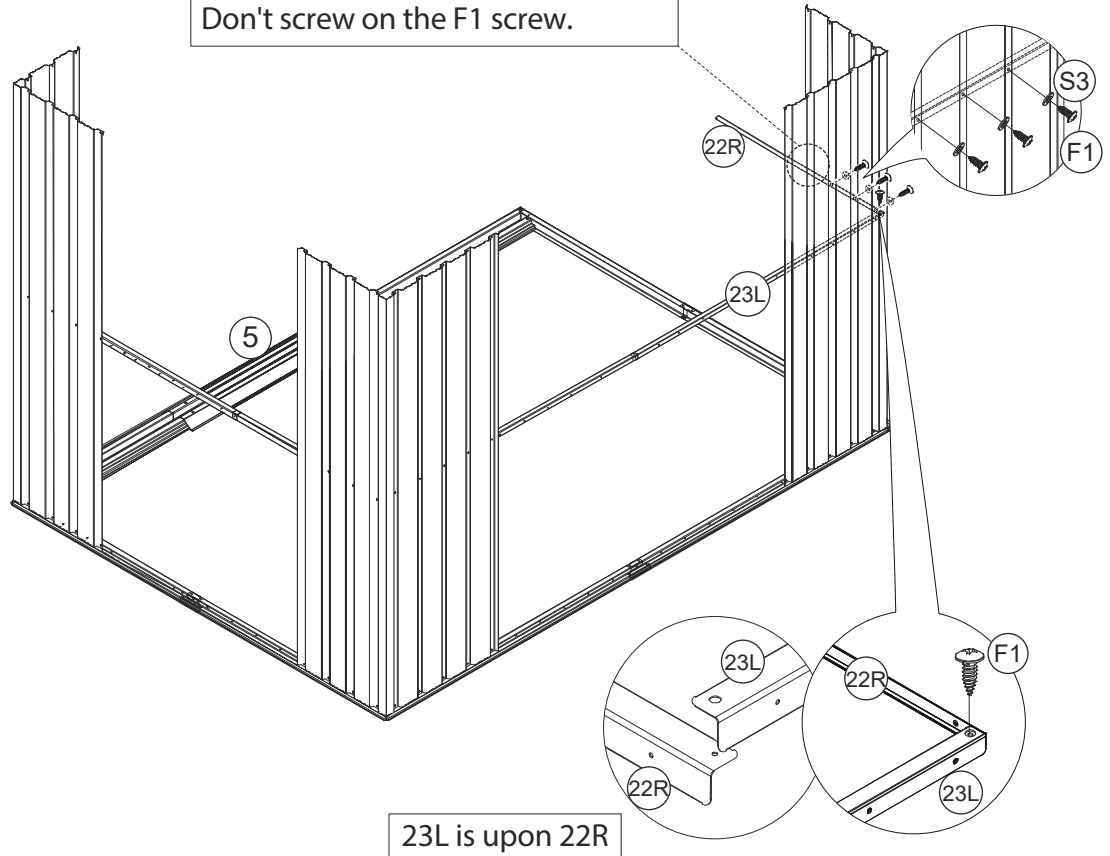
(F1) 4x



(S3) 3x

Assemble the right side wall channel (22R) to the assembly.

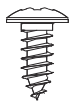
The hole on the right should be left.
Don't screw on the F1 screw.



23L is upon 22R

15

ST4.2 x 10mm



(F1) 5x

M4 x 10mm



(F2) 1x

M4 x 10mm

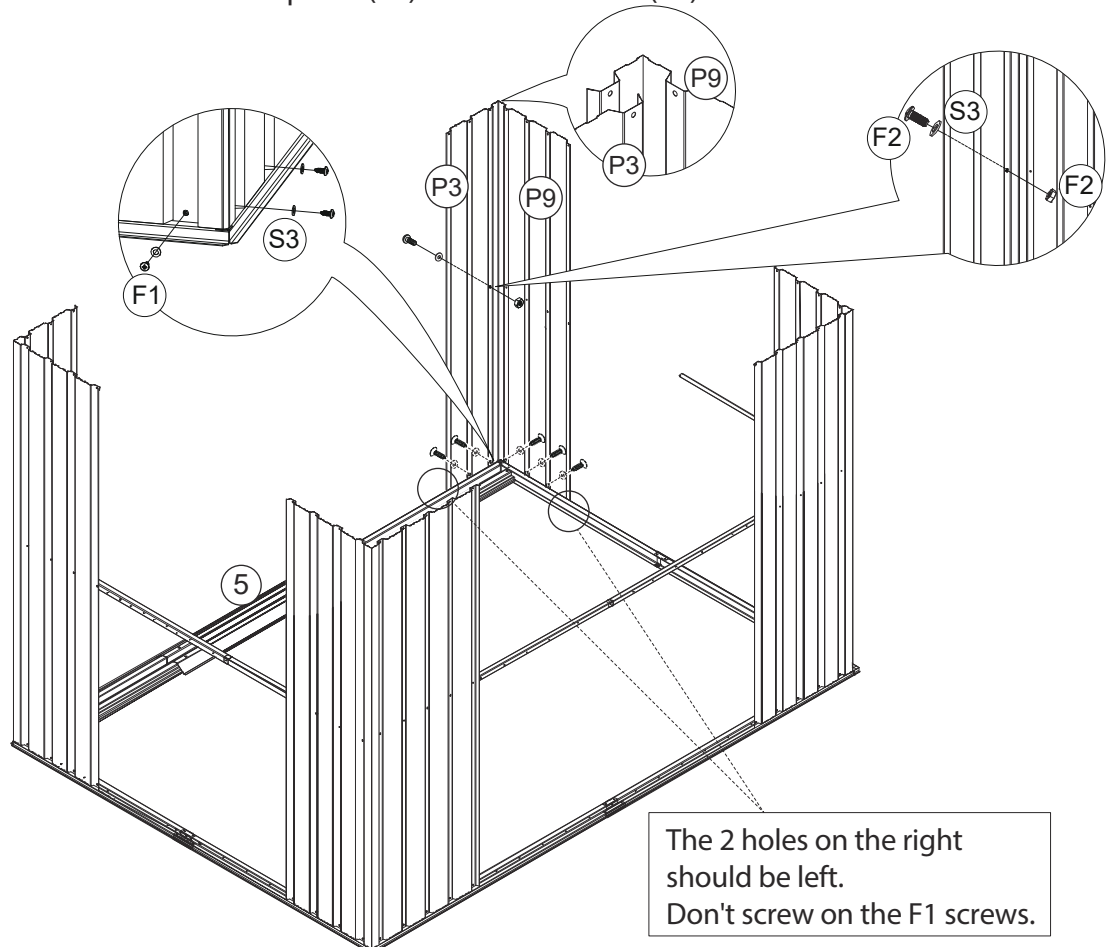


(F2) 1x



(S3) 6x

Assemble the corner panel (P9) and Wall Panel-3 (P3)

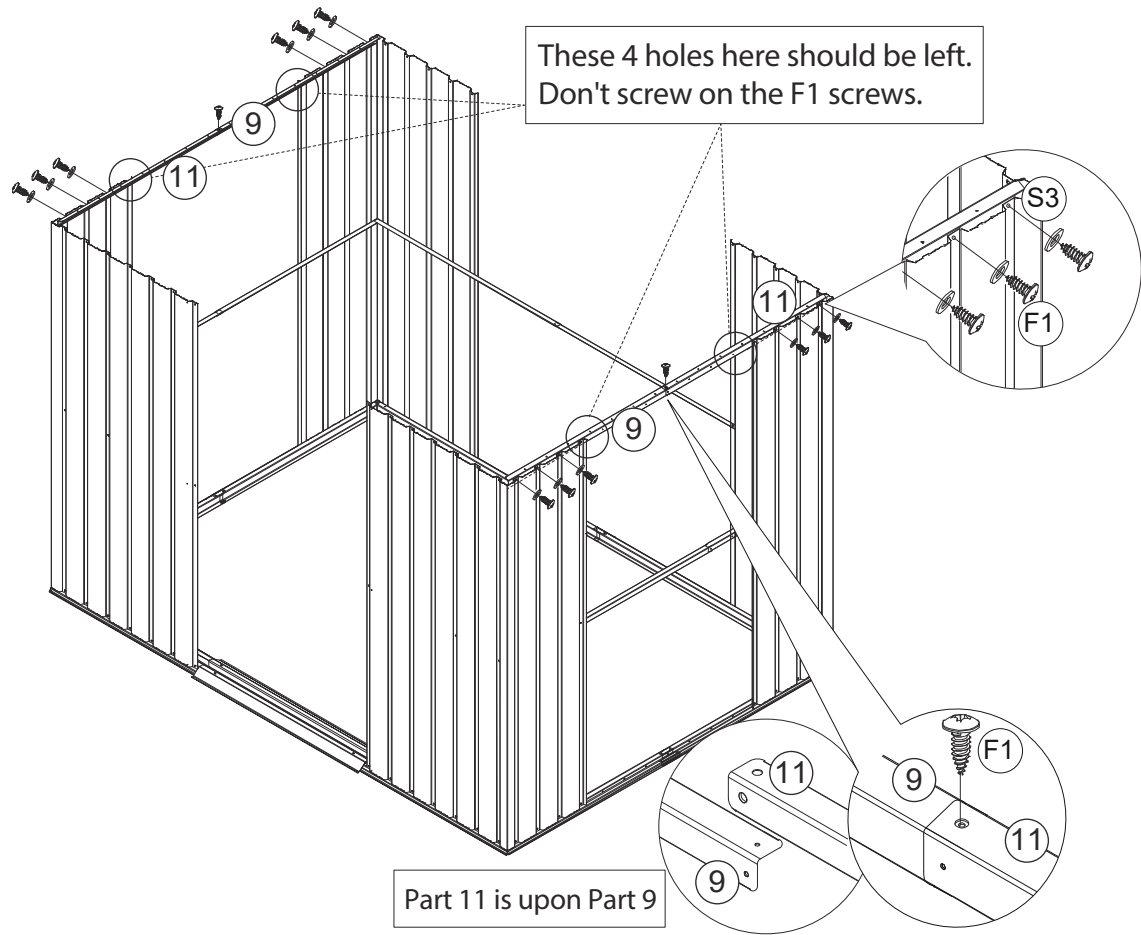


The 2 holes on the right
should be left.
Don't screw on the F1 screws.

18

Assemble the side wall angles-1 (9) and side wall angles-2 (11) to the assembly.

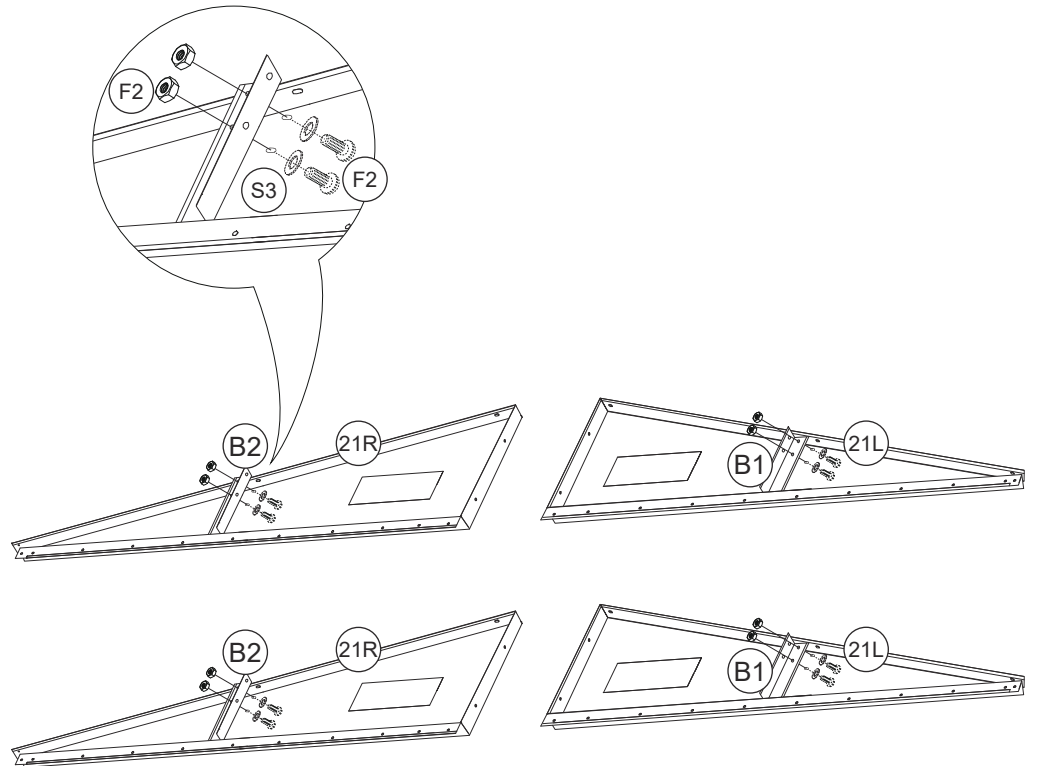
- ST4.2 x 10mm
- (F1) 14x
- (S3) 12x



19

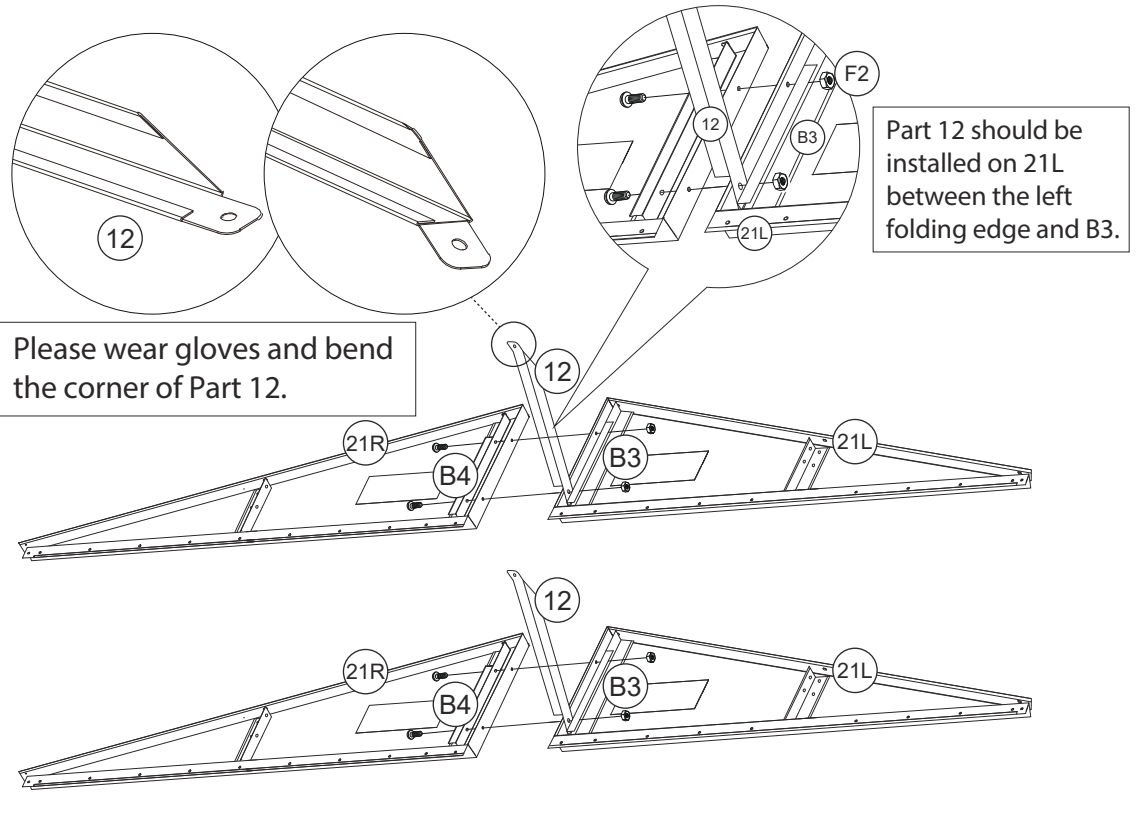
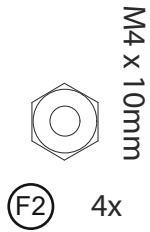
Assemble the gable braces (B1,B2) to the gables (21L,21R).

- M4 x 10mm
- (F2) 8x
- M4 x 10mm
- (F2) 8x
- (S3) 8x



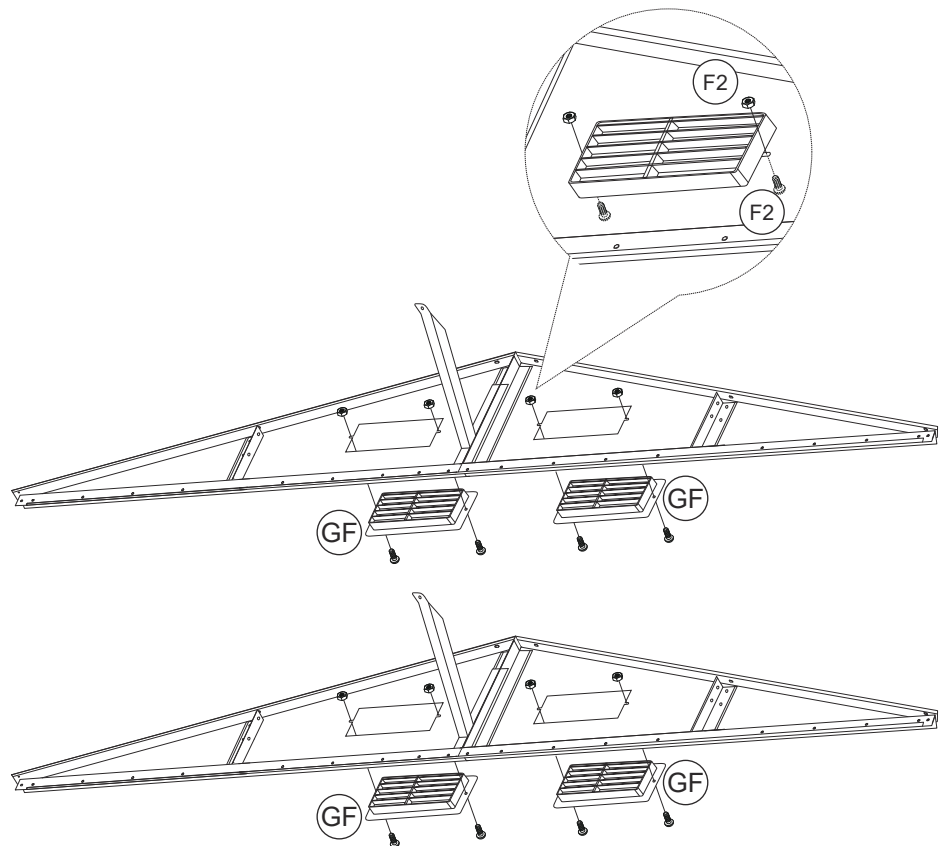
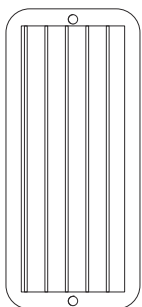
20

Assemble the left gables (21L) , gable braces-1 (B3) , roof beam splices (12) , gable braces-1 (B4) to the right gables (21R).



21

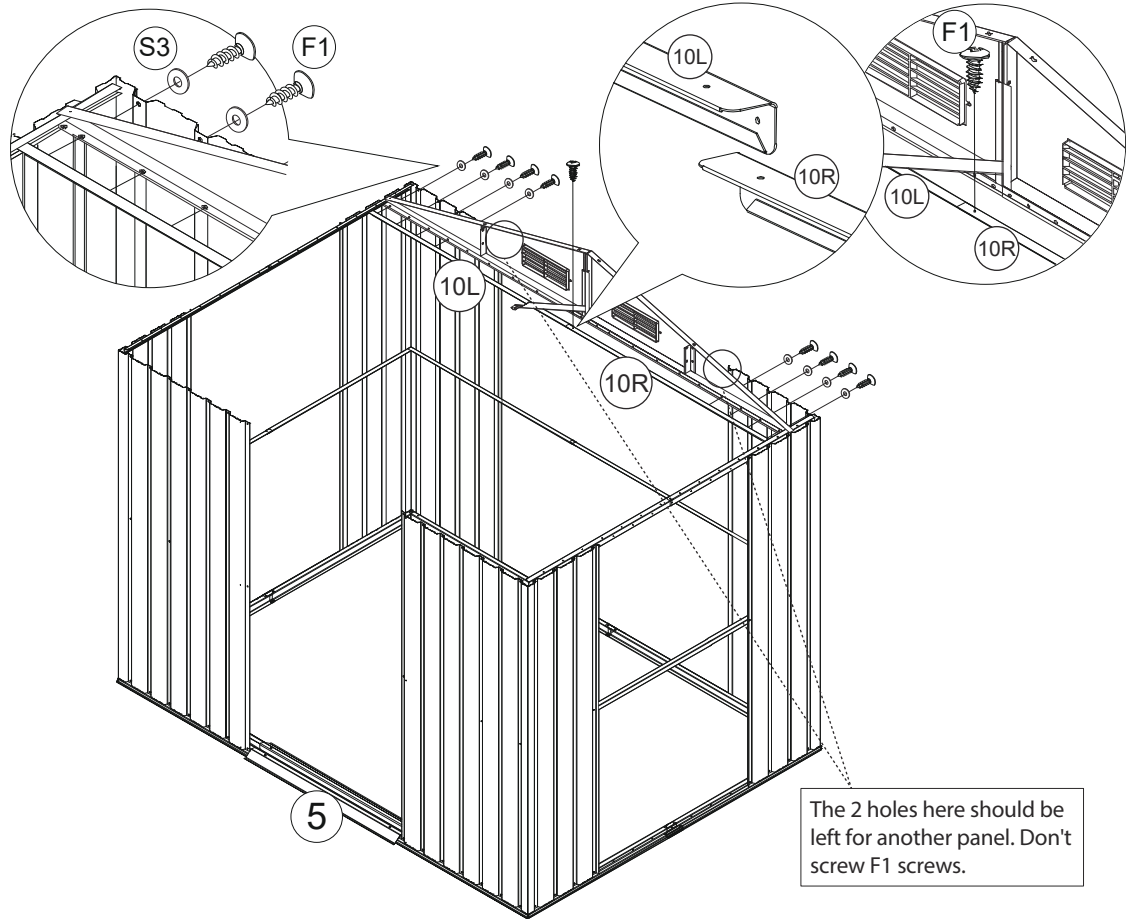
Assemble the air vent windows (GF) to the assemblies.



22

- ST4.2 x 10mm
- (F1) 9x
- (S3) 8x

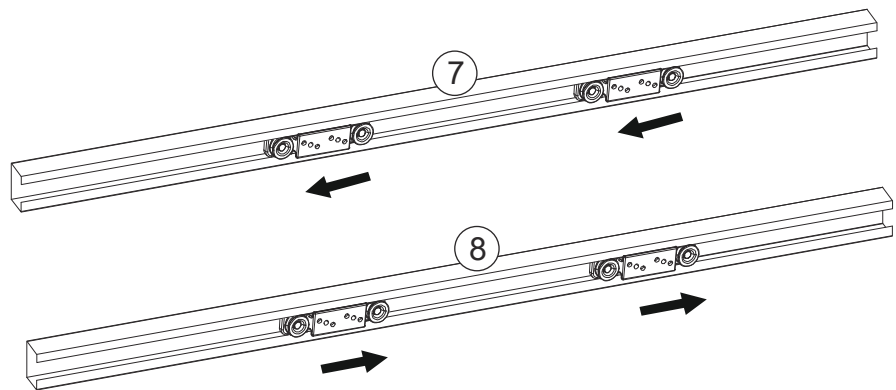
Assemble the rear wall angle-1 (10L) , rear wall angle-2 (10R) and the tri-angle panel to the assembly.



23

- (G2) 4x

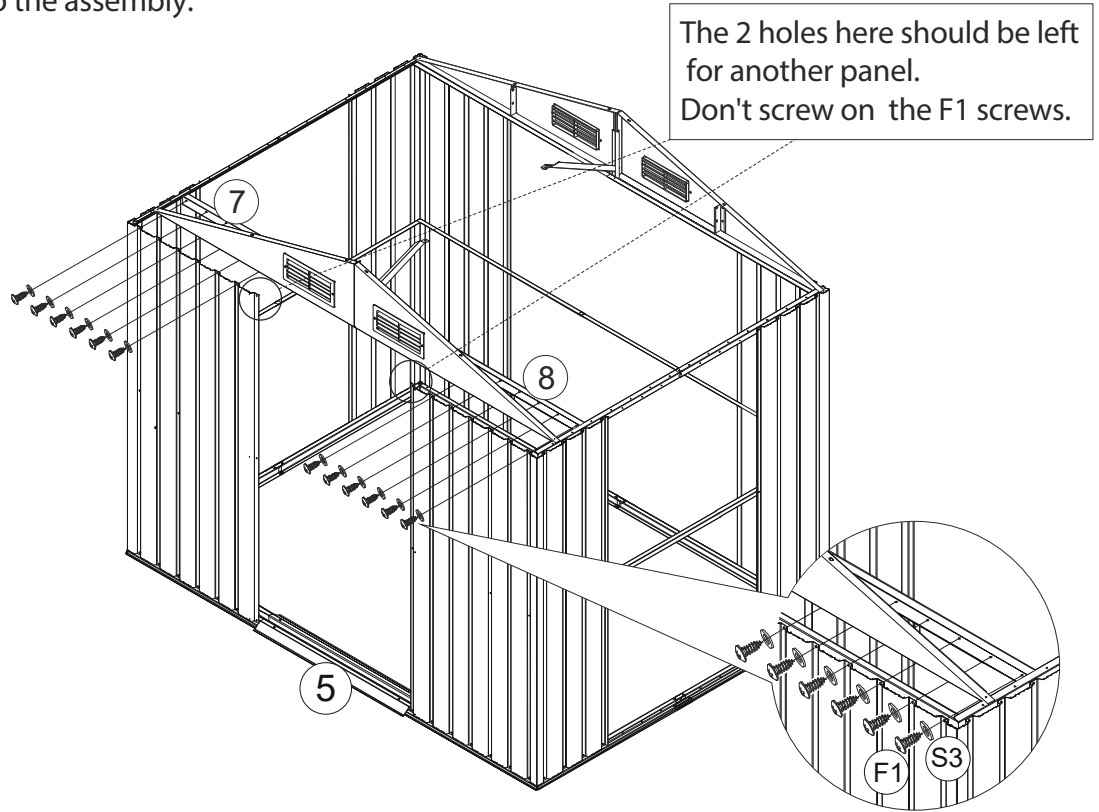
Slide in the door slides (G2) to the left door track (7) and right door track (8).



24

- ST4.2 x 10mm
- (F1) 12x
- (S3) 12x

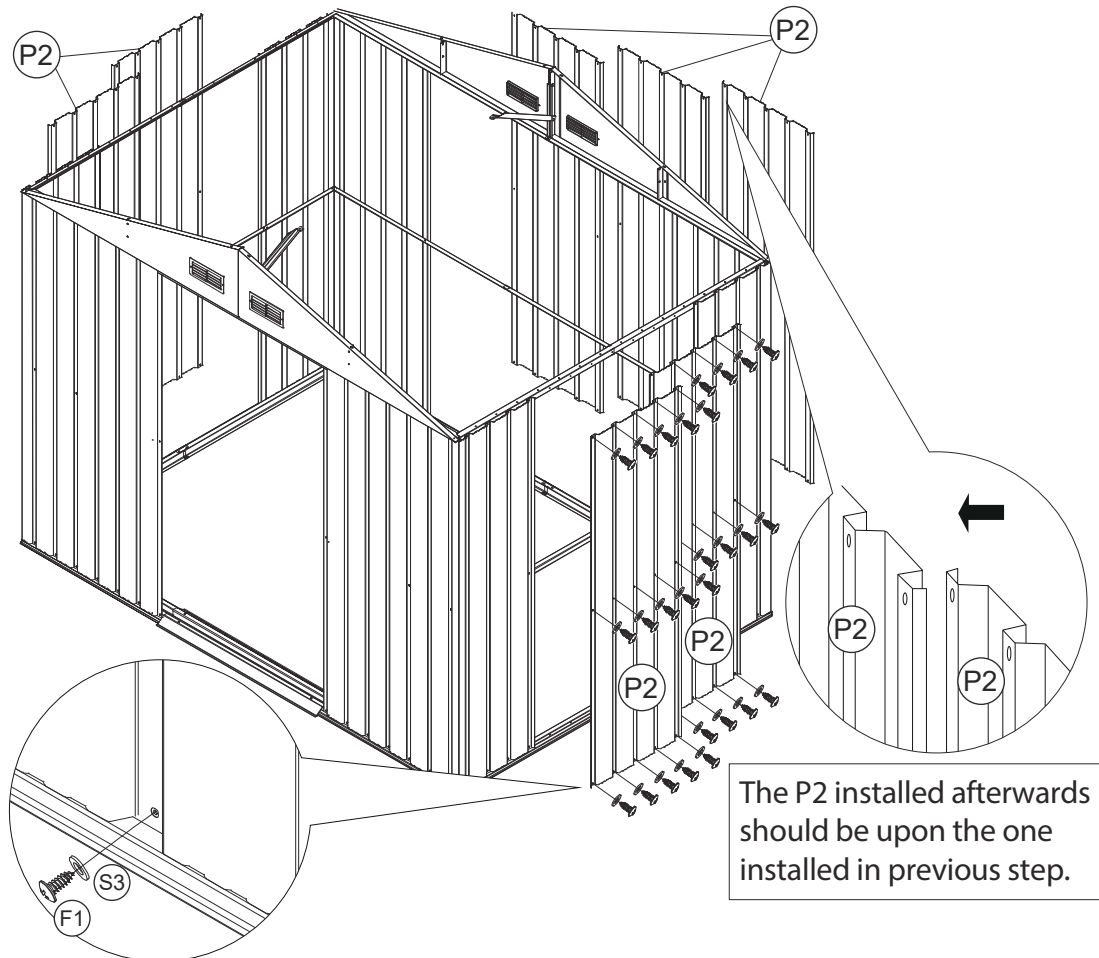
Assemble the left door track (7), right door track (8) and the tri-angle panel to the assembly.



25

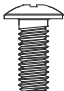

- ST4.2 x 10mm
- (F1) 93x
- (S3) 93x

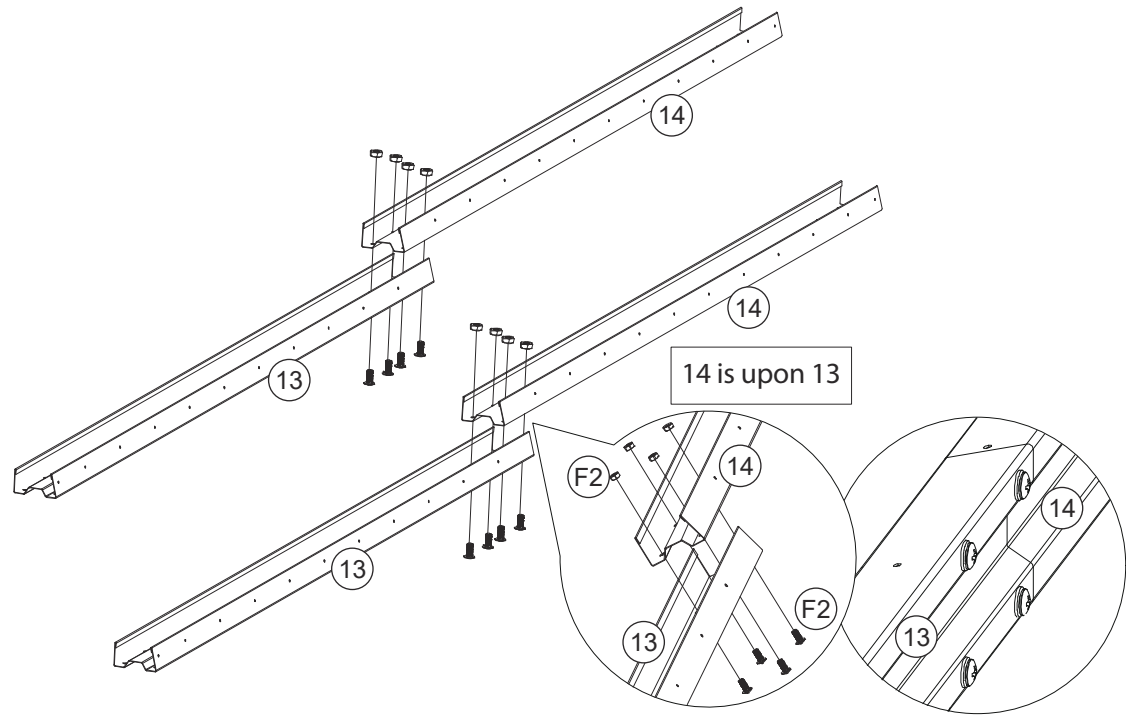
Assemble the wall panels-1 (P2) to the assembly.



26

Assemble the right roof beams (14) to the left roof beams (13).



- M4 x 10mm
 8x
- M4 x 10mm
 8x

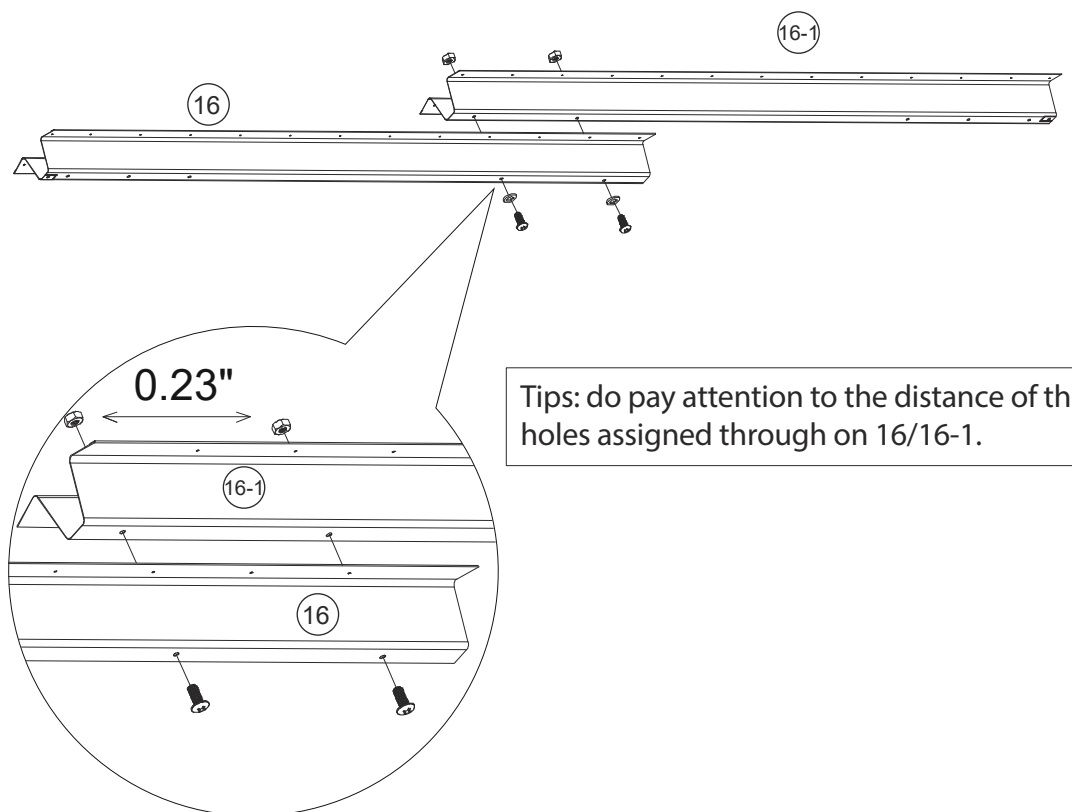


Tips: do pay attention to the distance of the holes assigned through on 13/14.

27

Assemble the roof beam (16-1) to the roof beam (16).

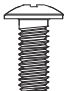

- M4 x 10mm
 2x
- M4 x 10mm
 2x

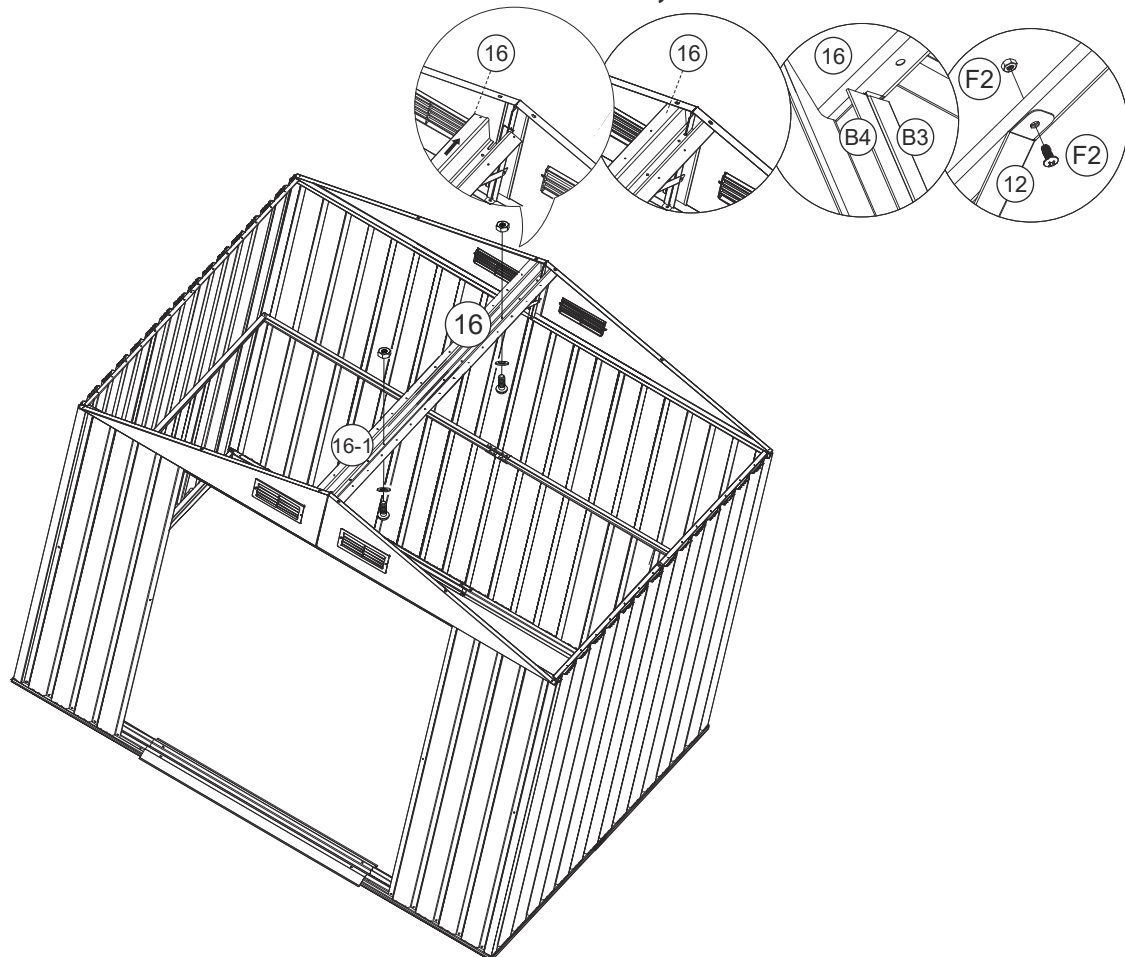


Tips: do pay attention to the distance of the holes assigned through on 16/16-1.

28

Assemble the roof beams (16,16-1) to the assembly

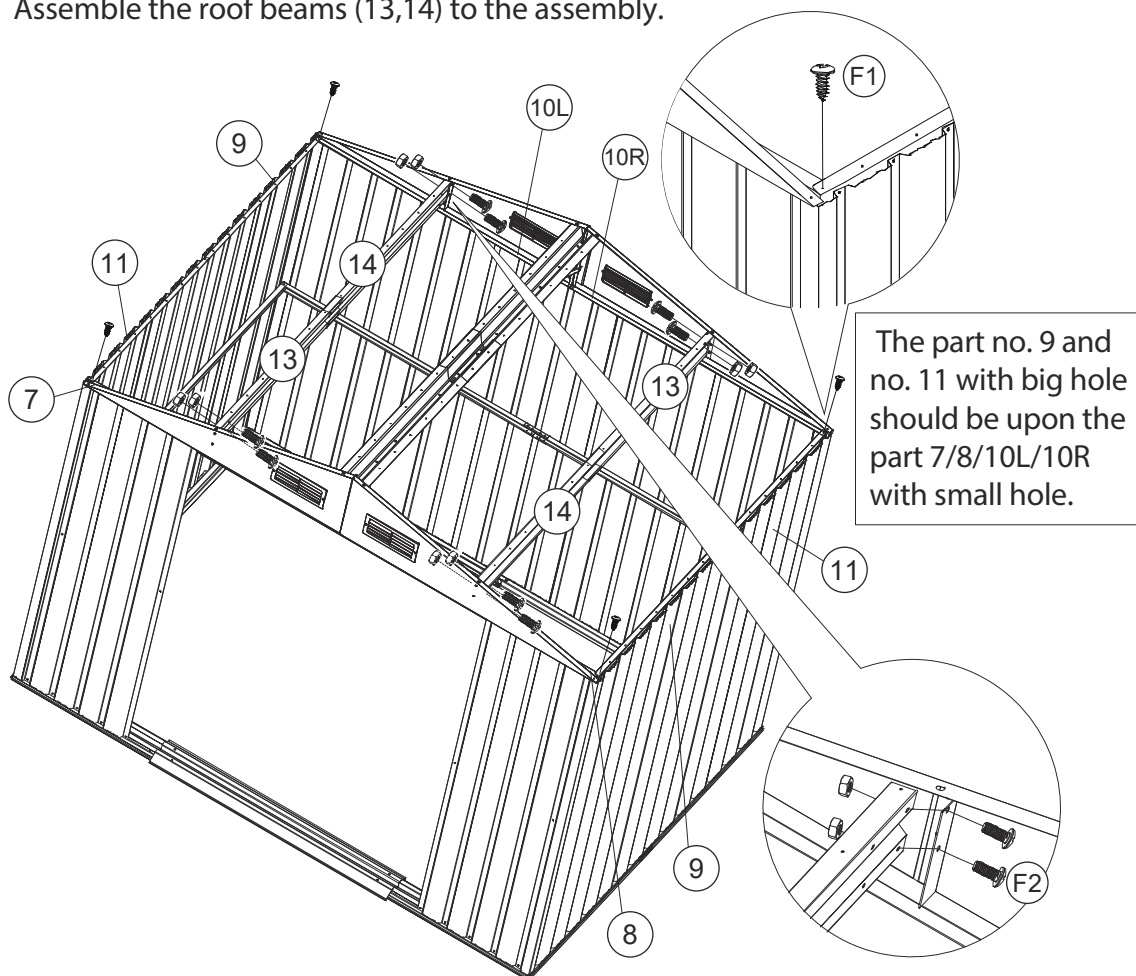
-  M4 x 10mm
- (F2) 2x
-  M4 x 10mm
- (F2) 2x



29

Assemble the roof beams (13,14) to the assembly.

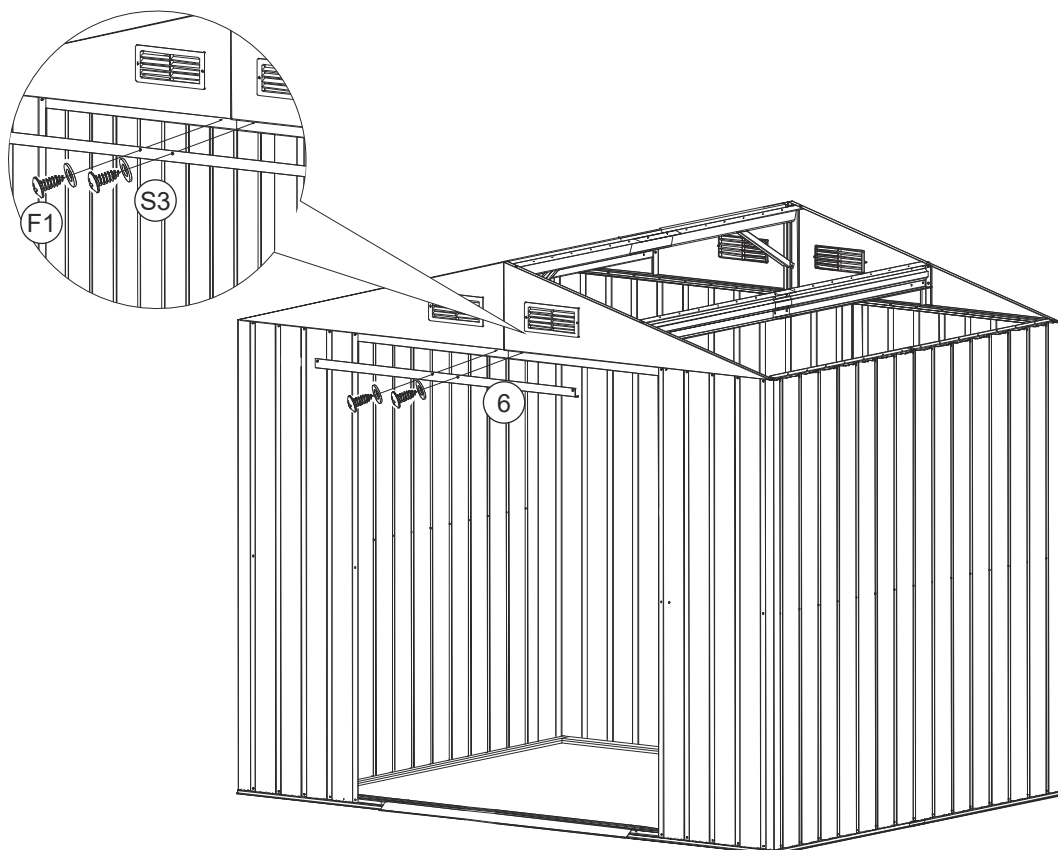
-  ST4.2 x 10mm
- (F1) 4x
-  M4 x 10mm
- (F2) 8x
-  M4 x 10mm
- (F2) 8x



30

- ST4.2 x 10mm
- (F1) 2x
- (S3) 2x

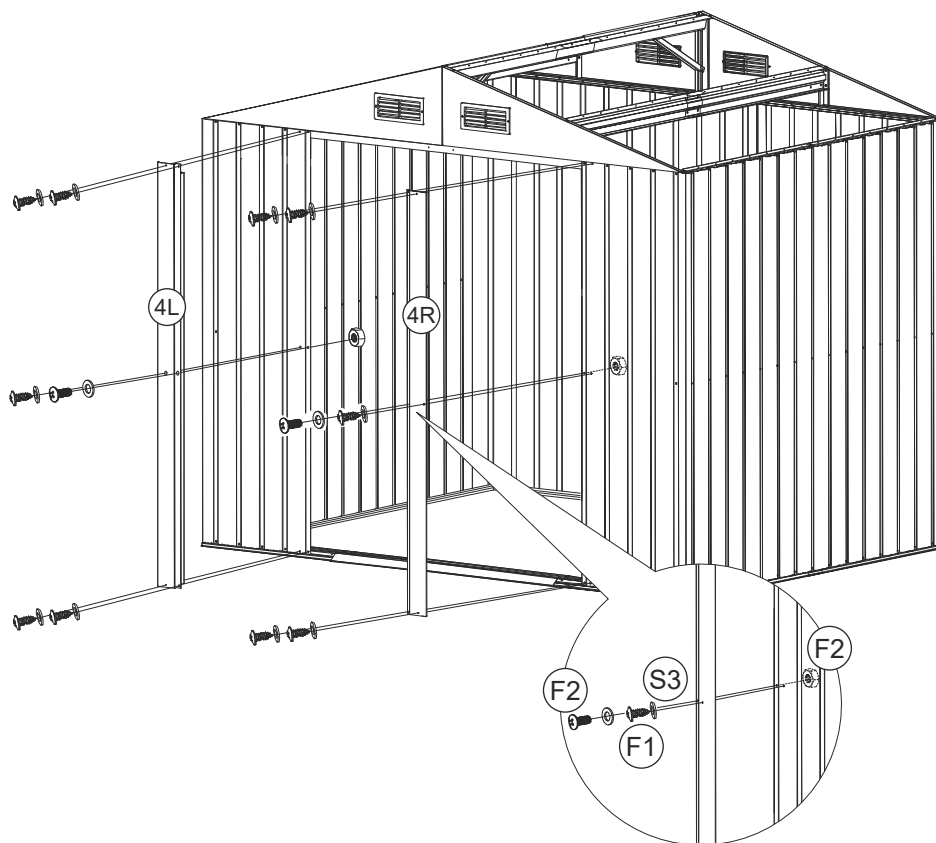
Assemble the door track splice (6) to the assembly.



31

- ST4.2 x 10mm
- (F1) 10x
- M4 x 10mm
- (F2) 2x
- M4 x 10mm
- (F2) 2x
- (S3) 12x

Assemble the left door jamb (4L) and right door jamb (4R) to the assembly.



32

ST4.2 x 10mm

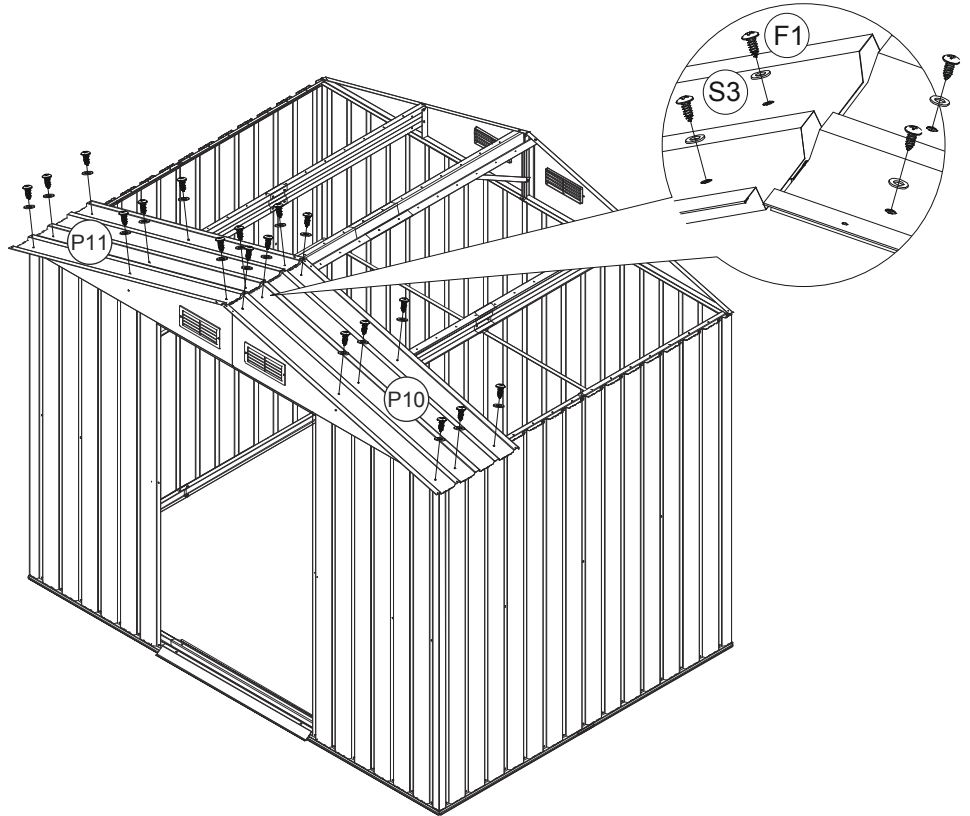


(F1) 18x



(S3) 18x

Assemble the roof panel-2 (P11) and the roof panel-1 (P10) to the assembly.



33

ST4.2 x 10mm

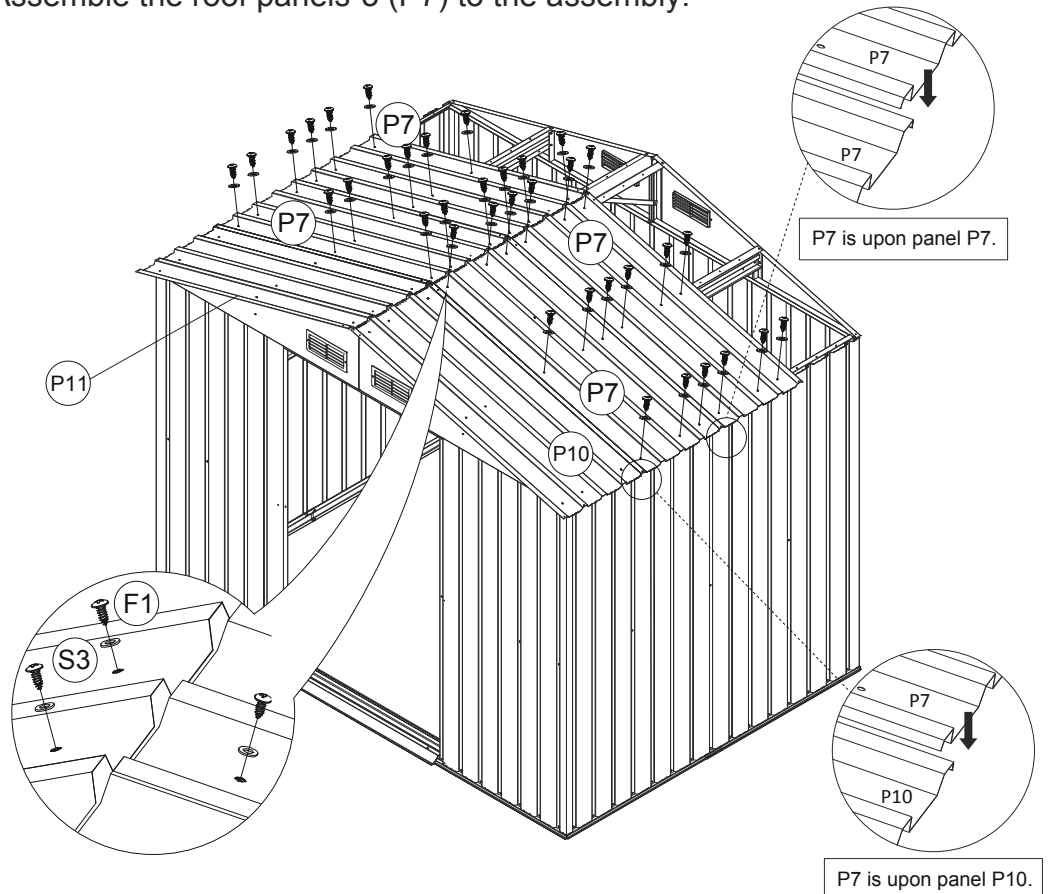


(F1) 36x



(S3) 36x

Assemble the roof panels-3 (P7) to the assembly.



34

ST4.2 x 10mm

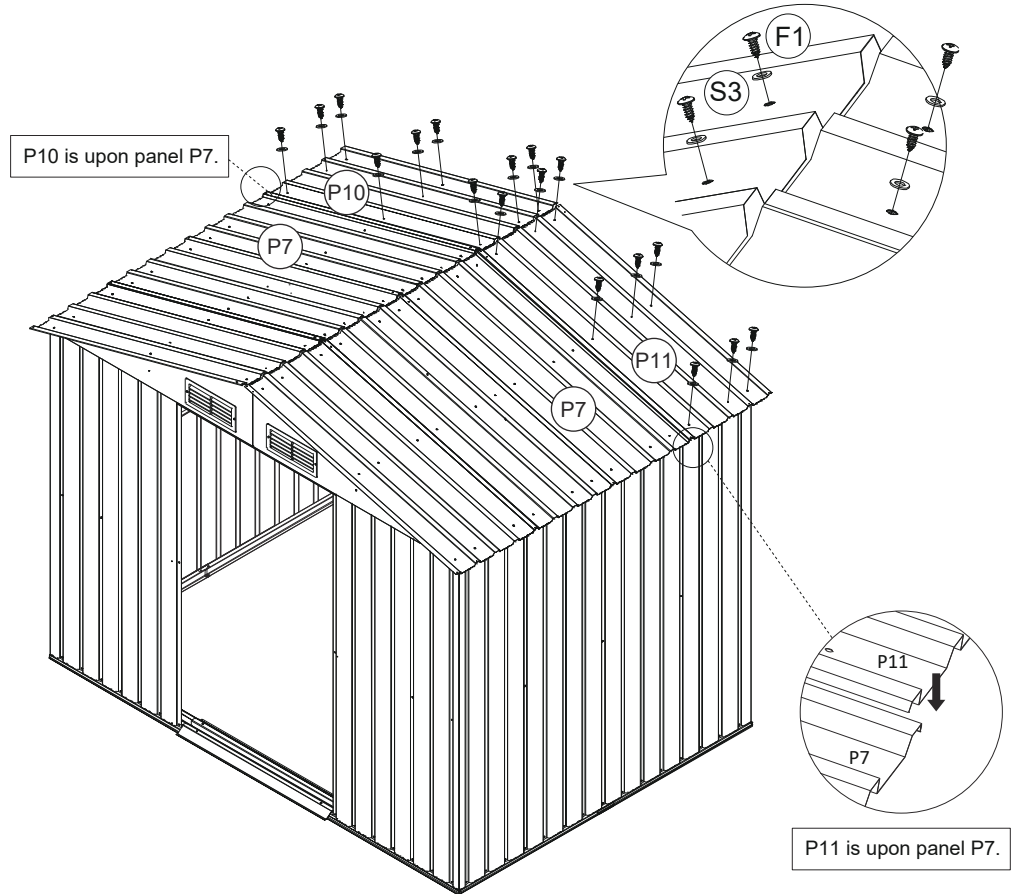


(F1) 18x



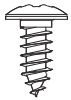
(S3) 18x

Assemble the roof panel-1 (P10) and roof panel-2 (P11) to the assembly.



35

ST4.2 x 10mm

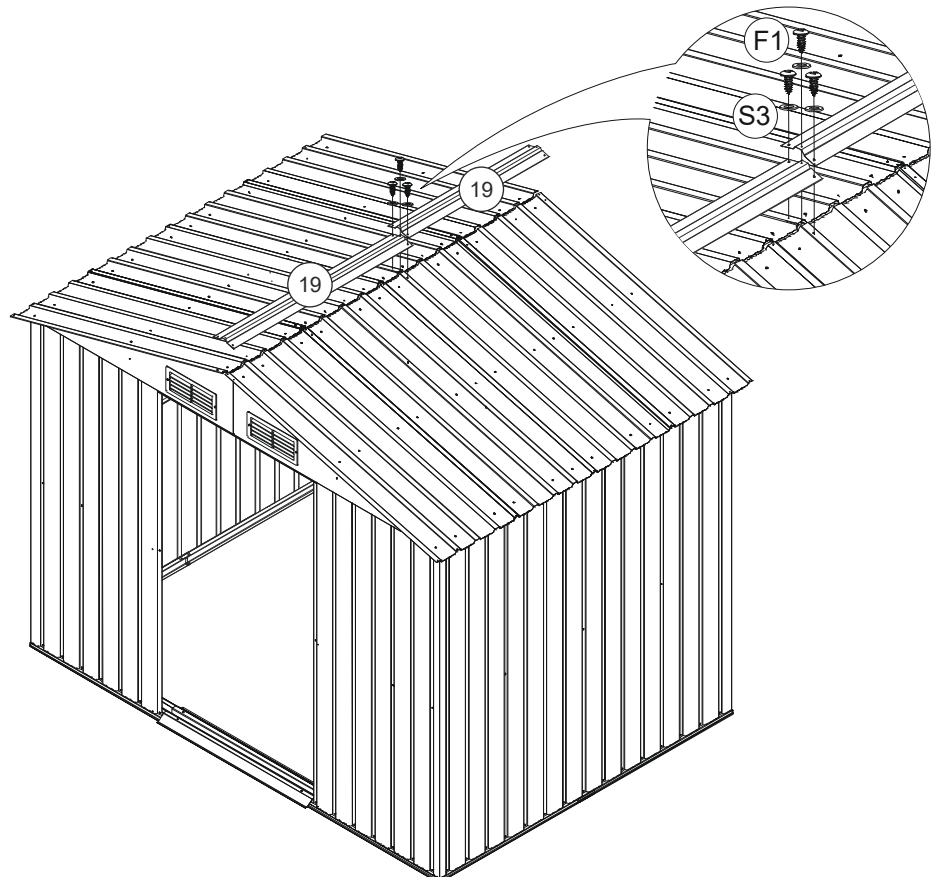


(F1) 3x



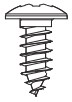
(S3) 3x

Assemble the ridge caps (19) to the assembly.

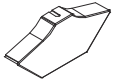


36

ST4.2 x 10mm

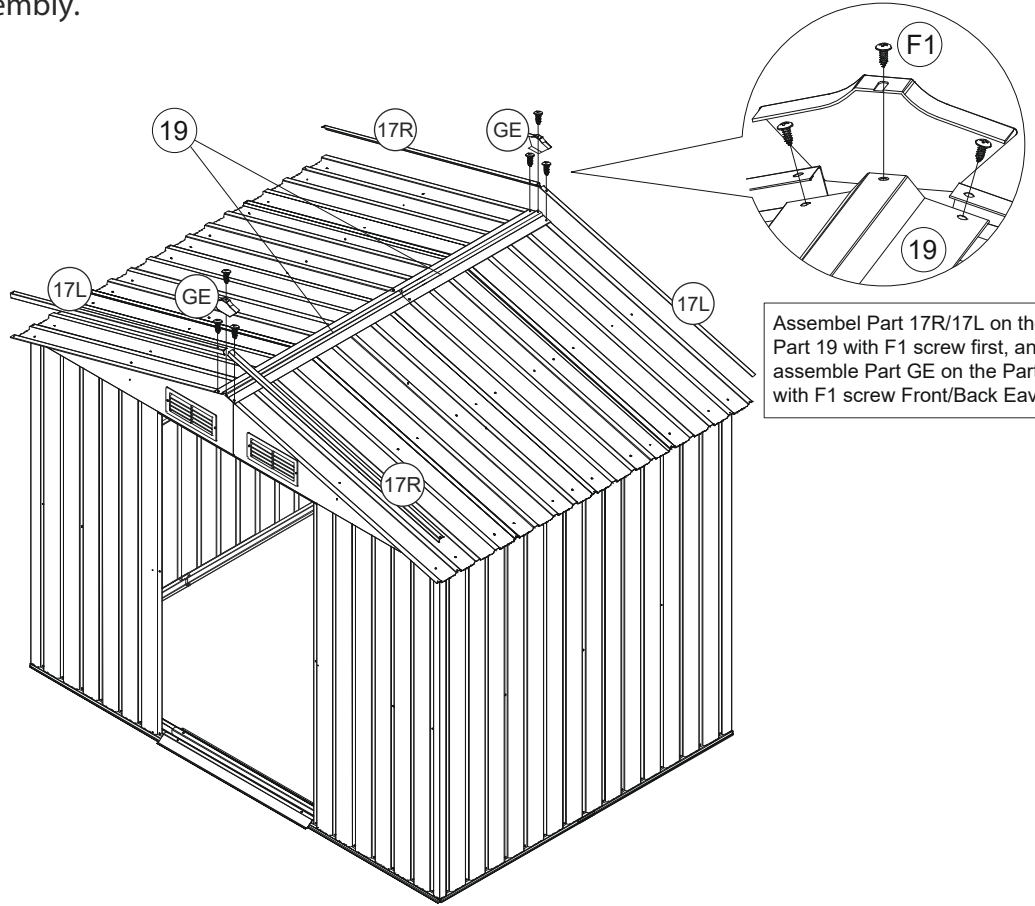


F1 6x



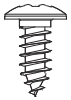
GE 2x

Assemble the roof trims-1 (17L) , roof trims-2 (17R) and peak caps (GE) to the assembly.



37

ST4.2 x 10mm



F1 10x

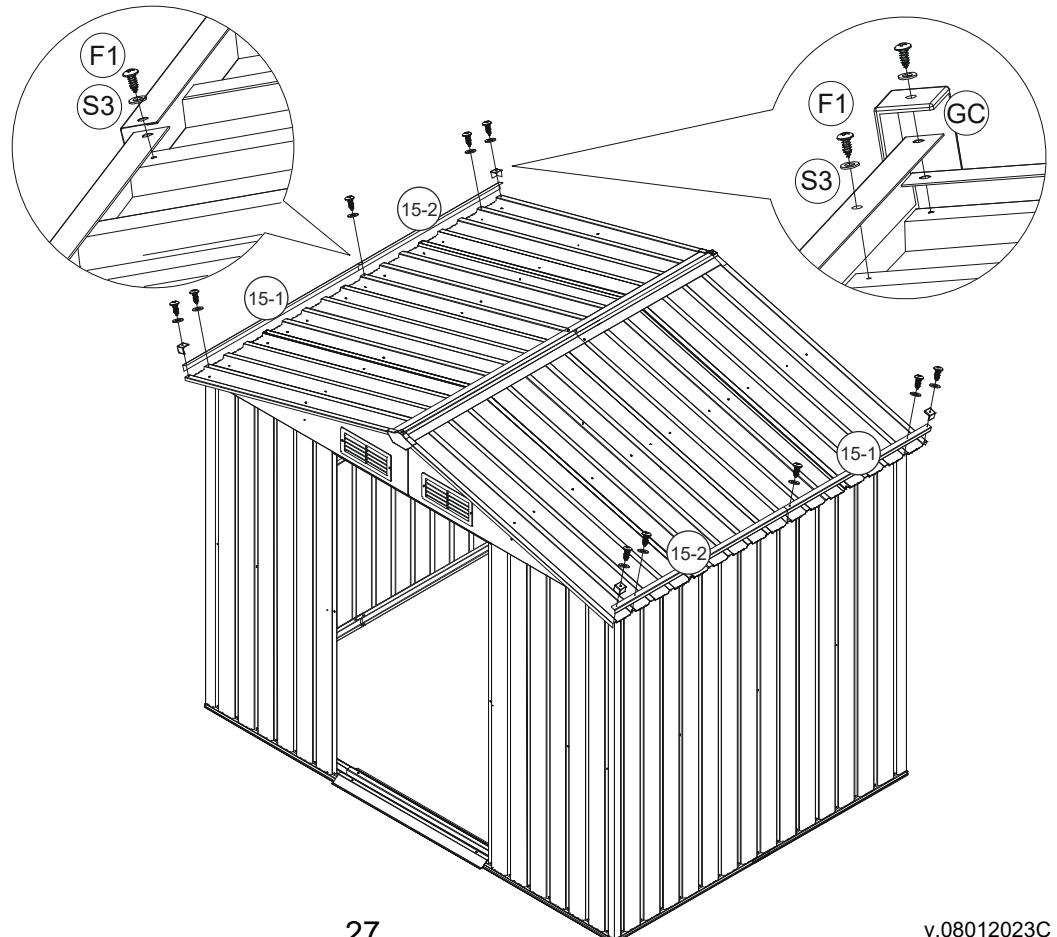


S3 10x



GC 4x

Assemble the side roof trims (15-1,15-2) to the assembly.



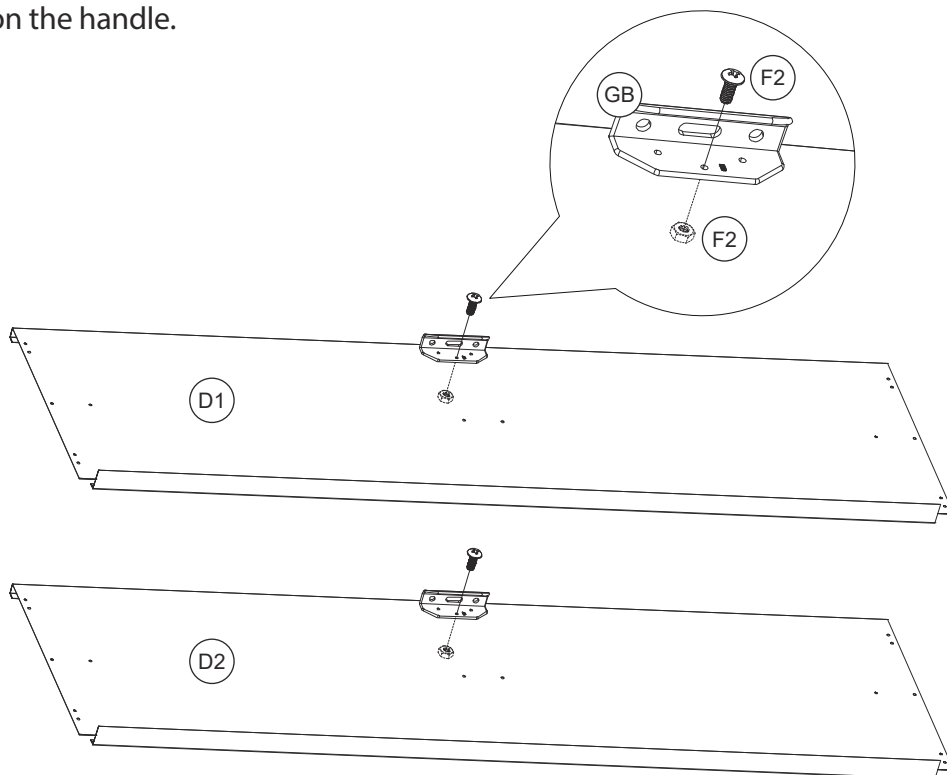
38

- M4 x 10mm

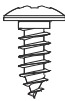
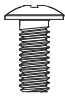
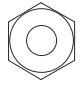

 (F2) 2x
- M4 x 10mm

 (F2) 2x
- 
 (GB) 2x

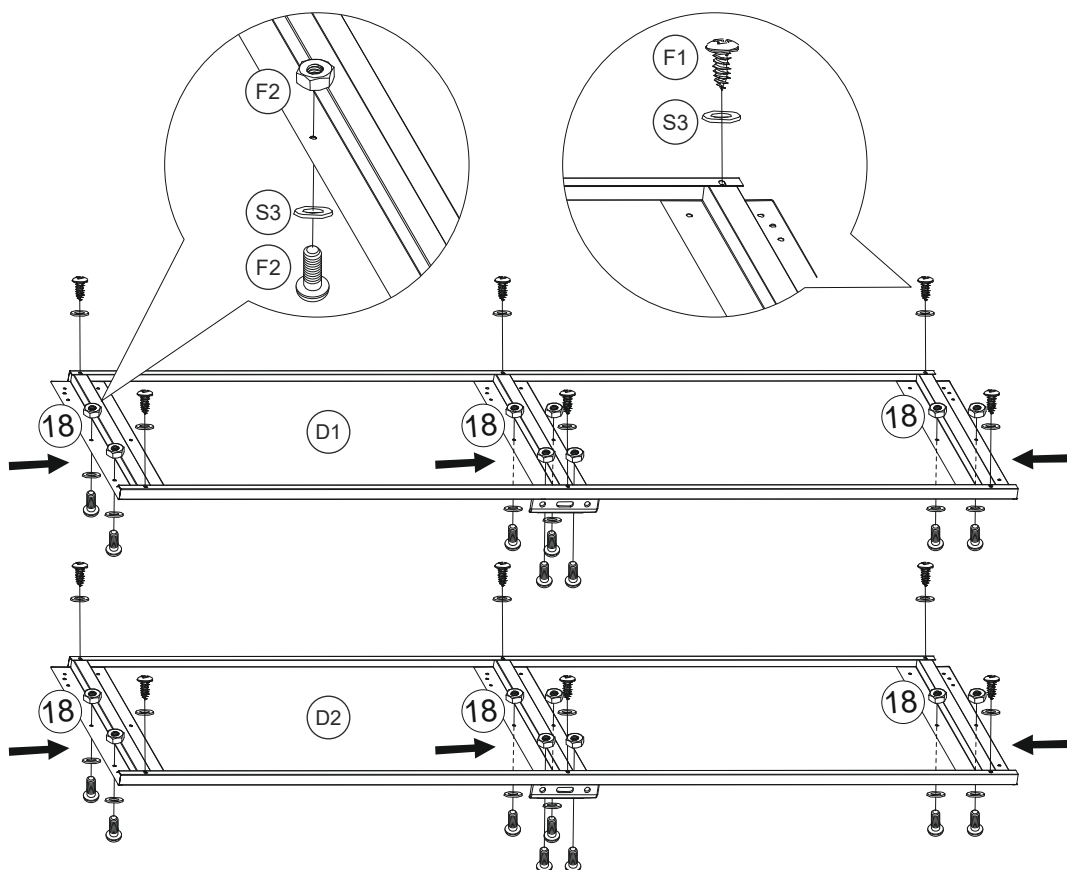
Attach handles to the door-1 (D1) and door-2 (D2).
 Install the handles with F2 screws assigning the middle hole on the handle.






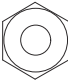


39

- ST4.2 x 10mm

 (F1) 12x
- M4 x 10mm

 (F2) 16x
- M4 x 10mm

 (F2) 16x
- 
 (S3) 24x

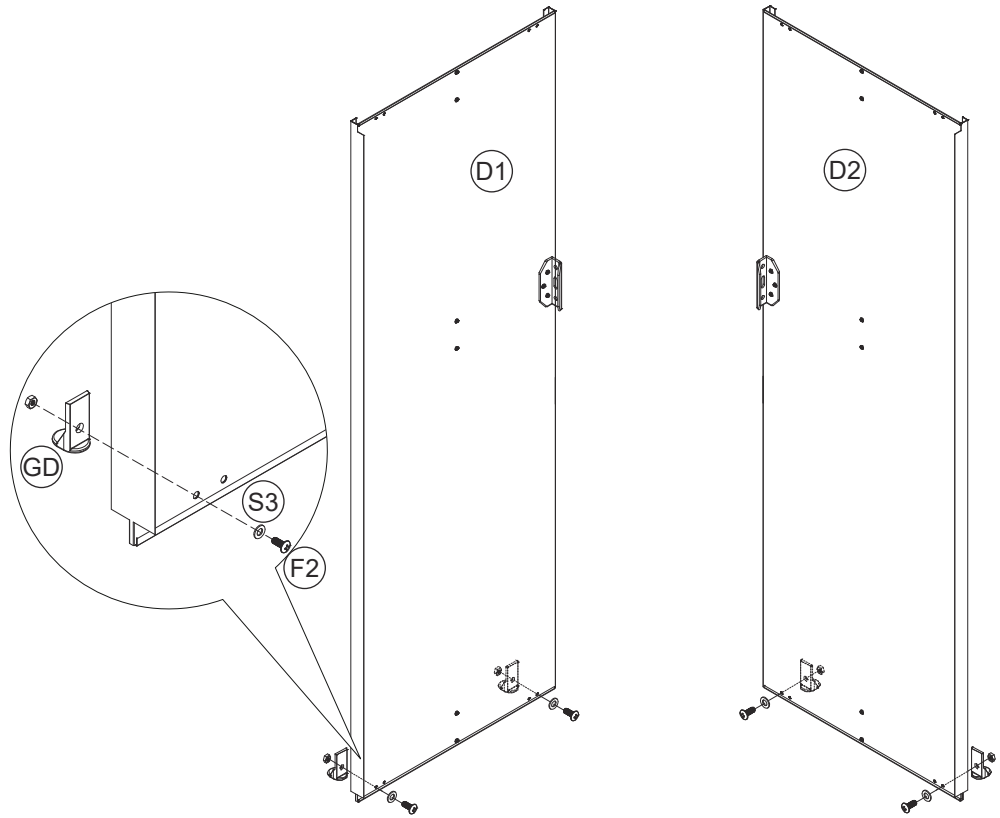
Assemble the horizontal door braces (18) to the door-1 (D1) and door-2 (D2).





40

-  4x
-  M4 x 10mm
-  4x
-  M4 x 10mm
-  4x
-  4x

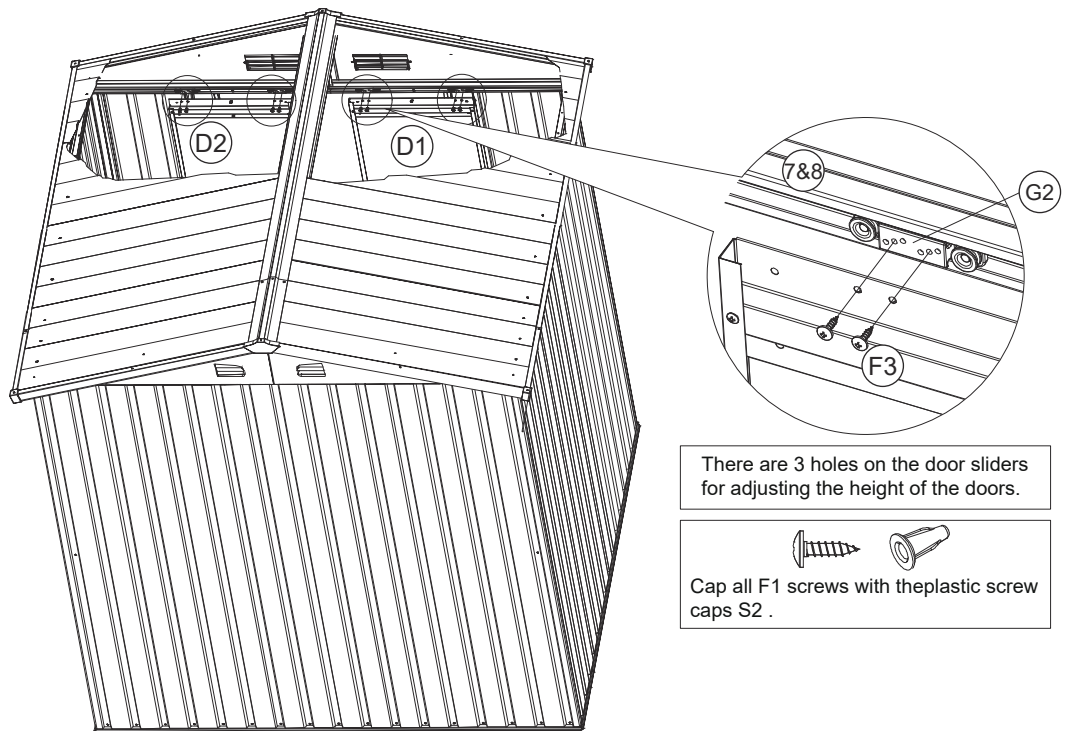
Attach lower door guides to the doors (D1,D2).



41

-  ST4.8 x 16mm
-  8x

Assemble the doors (D1,D2) to the door slides (G2).

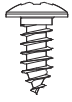


There are 3 holes on the door sliders for adjusting the height of the doors.

 Cap all F1 screws with the plastic screw caps S2.

42

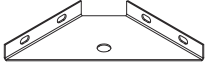
ST4.2 x 10mm



(F1)

16x

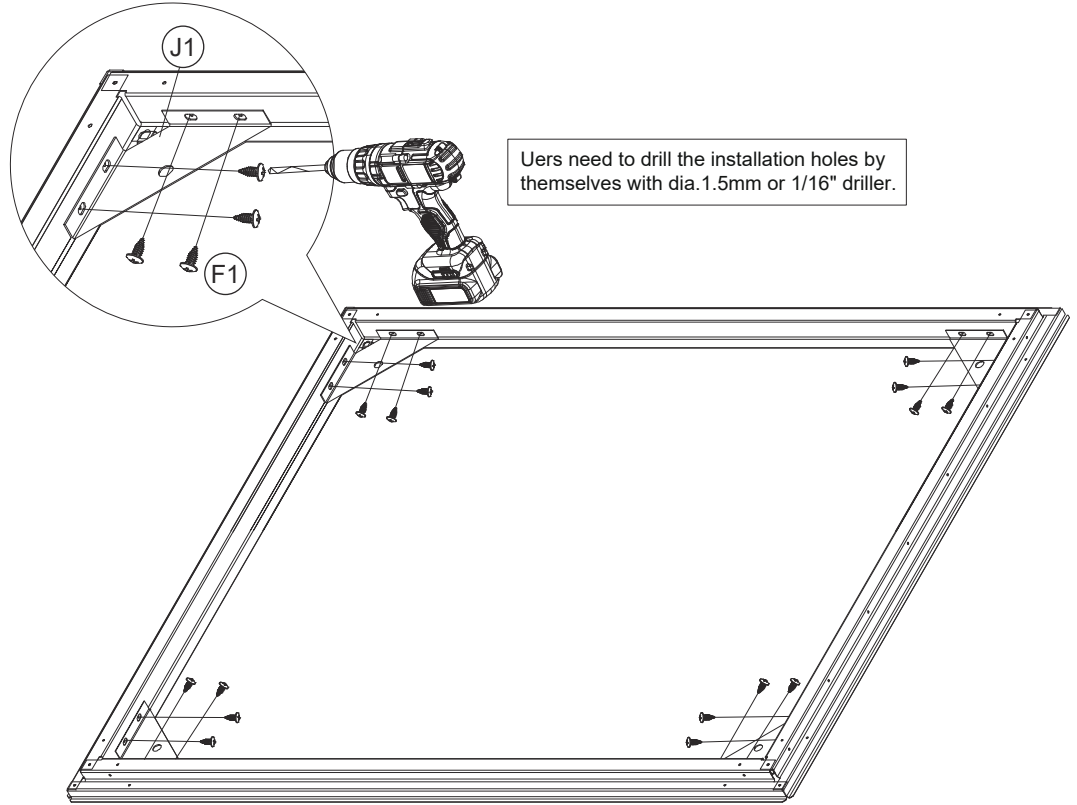
M4 x 10



(J1)

4x

Install the anchors (J1) onto each corner of base.



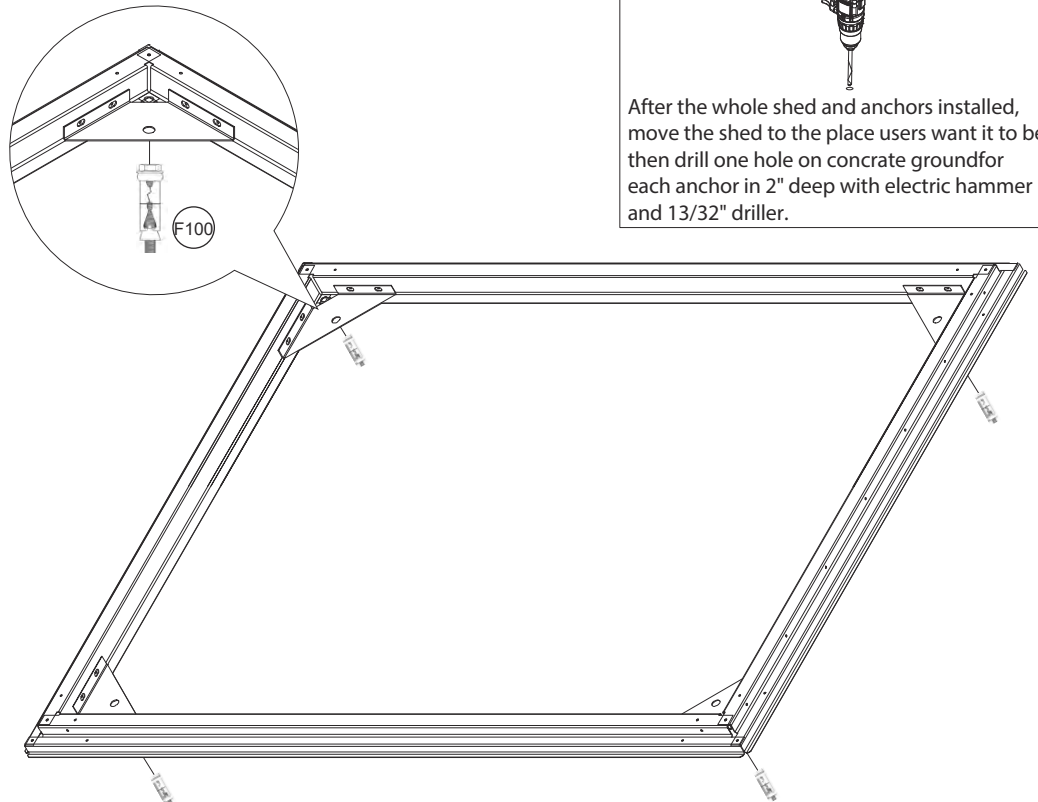
43



(F100)

4x

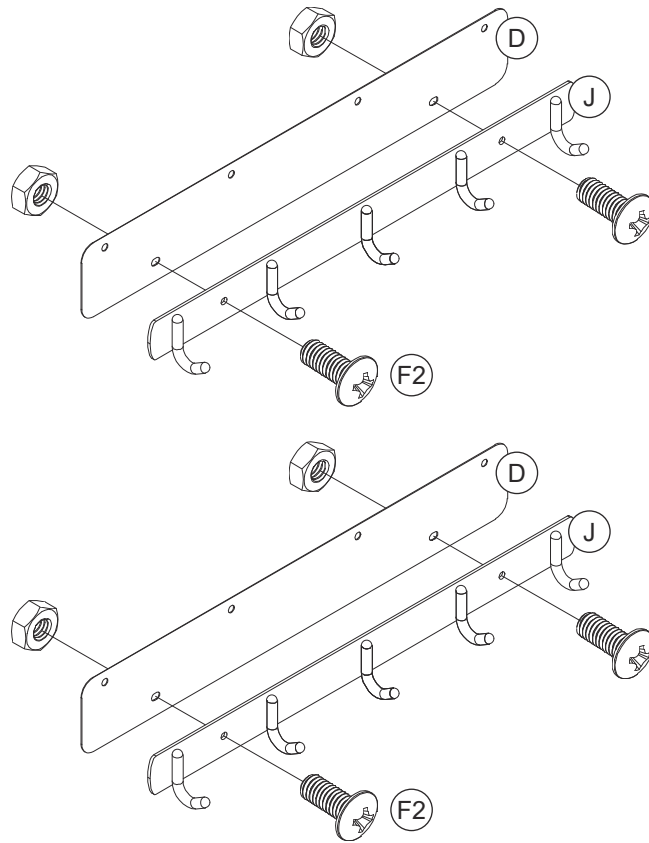
Anchor the shed to the ground.



44

- M4 x 10mm
- (F2) 4x
- M4 x 10mm
- (F2) 4x

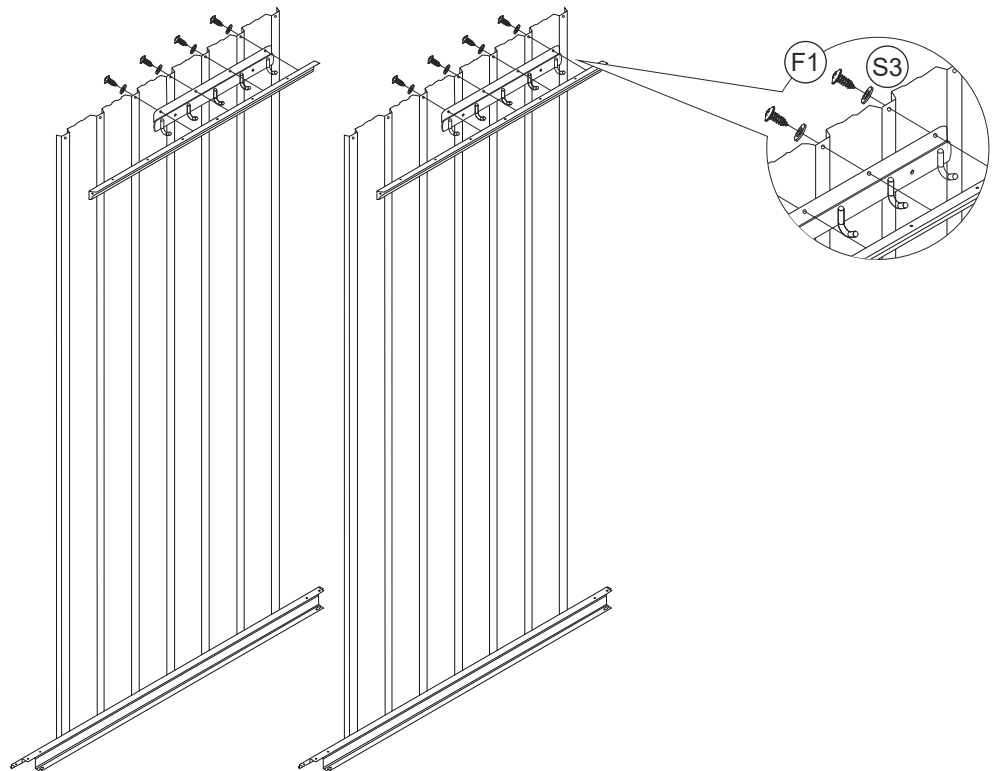
Assemble the stainless steel hanger (J) to the connecting panel (D).



45

- ST4,2 x 10mm
- (F1) 8x
- (S3) 8x

Assemble the assembly to the top side of the wall panel.



YOU'RE FINISHED!

BELLEZE

FURNITURE CARE AND MAINTENANCE

Metal Shed

Thank you for your purchase. We want your item to last as long as possible. To ensure the product gives you years of longevity, please follow the recommendations in this care and maintenance guide.



MAINTENANCE

- Tighten all bolts and screws again within the first 2 weeks of assembly.
- Check the tightness of all bolts every 2 months and tighten them if necessary.
- Make sure the shed is securely anchored on the base.



CLEANING

- Trim off overhanging trees or objects on top of the shed.
- Leaves, tree branches, snow or any other objects should be regularly clean off or remove from the roof of the shed.

WARNING

The manufacturer and seller are not responsible for any and all liability relating to personal injury, property damage or losses, whether direct, indirect, or incidental, resulting from the incorrect attachment, improper use, inadequate maintenance, unapproved modification or neglect of this product.

© All copyright of this document belongs to BELLEZE .
This document may not be printed, translated, reproduced, or distributed in whole or in
part without written permission from BELLEZE.

WARRANTY

BELLEZE products come with a 1-year warranty from the date of delivery.
Register your product on our website to enjoy our limited lifetime warranty!



AFTER-SALE SERVICE



Encounter any difficulties or missing parts?



Contact us at **1-800-682-6376** or email us at **support@belleze.com**



We will send you replacement.



Hassle free!
No need to worry about repackaging and sending your item back.

We hope you enjoy your new BELLEZE furniture!
Share your photos on Instagram and tag us: @bellezefurniture.

FOLLOW US:



@bellezefurniture

CONTACT INFO:

support@belleze.com
1-800-682-6376

BELLEZE®