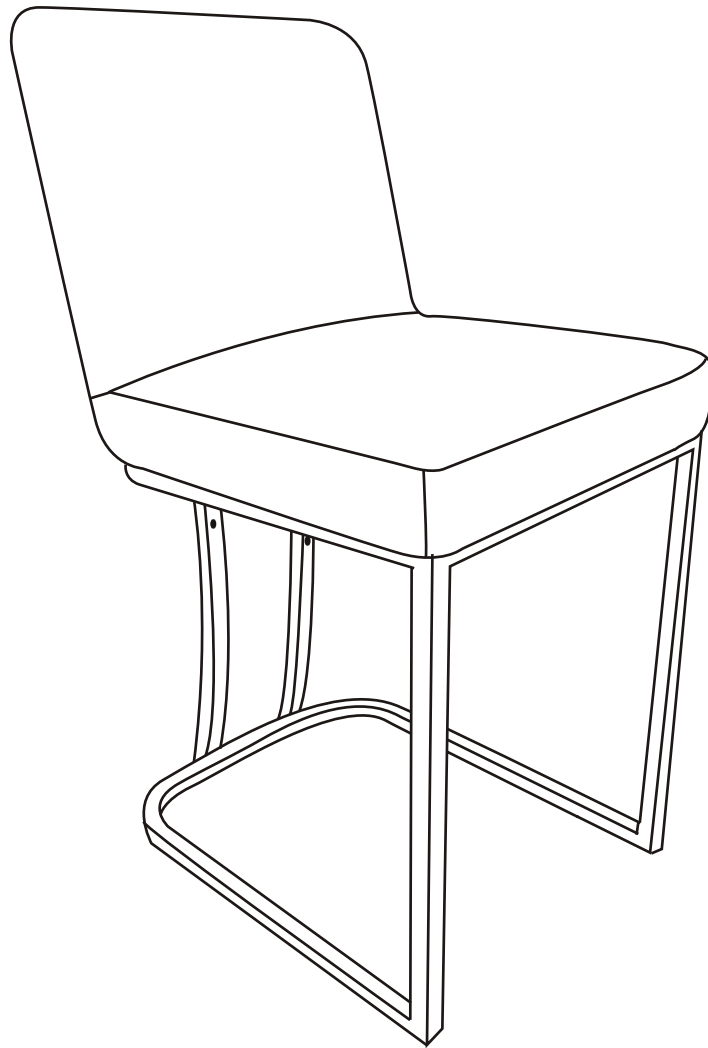


Hutton Dining Chair



BELLEZE[®]

FOLLOW US:

CONTACT INFO:

ITEM NO. 014-HG-30317



@bellezefurniture

support@belleze.com
1-800-682-6376

The instruction booklet contains **IMPORTANT** safety information. Please read it in full and keep it for future reference.

www.belleze.com

Scan this QR Code
to view our online tutorial

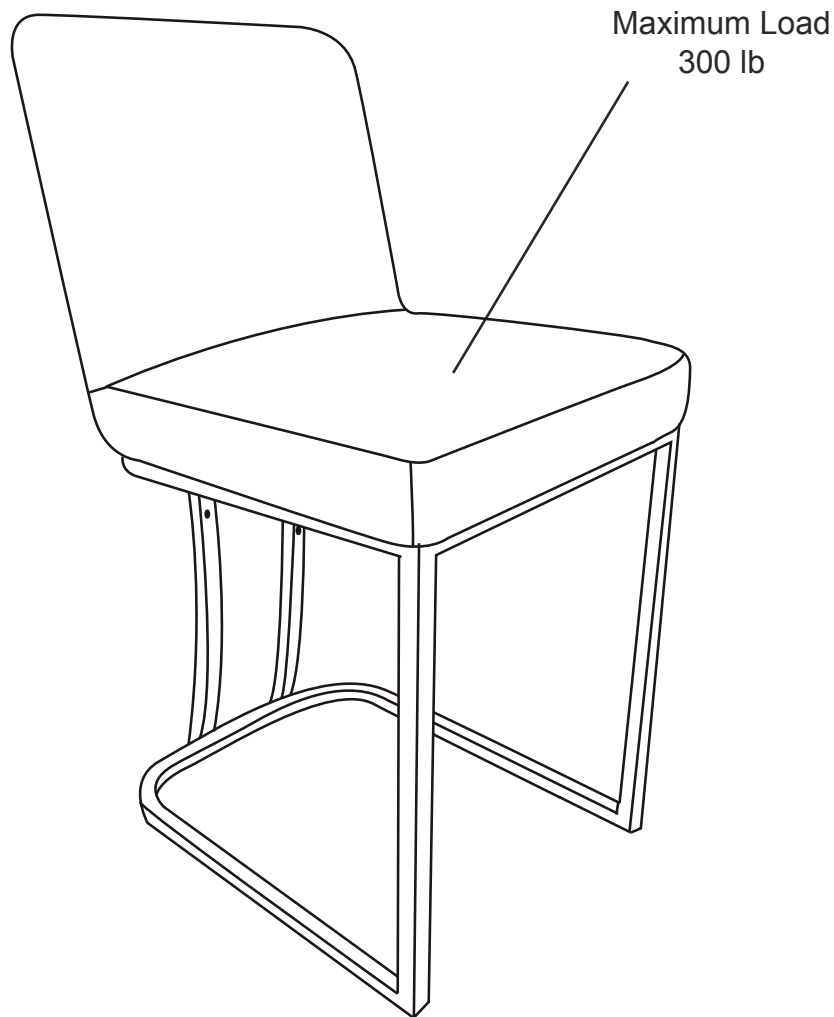


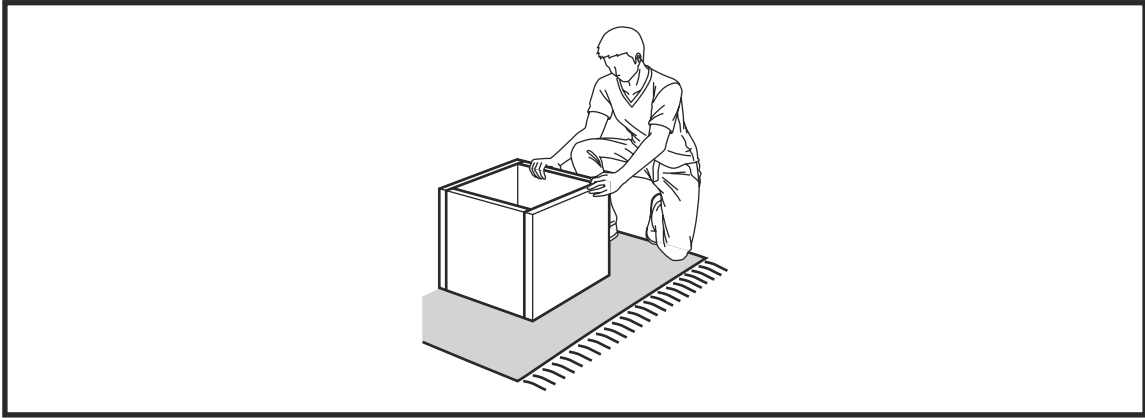
Estimated time for assembly:

15 mins



Weight limitations are as follows:

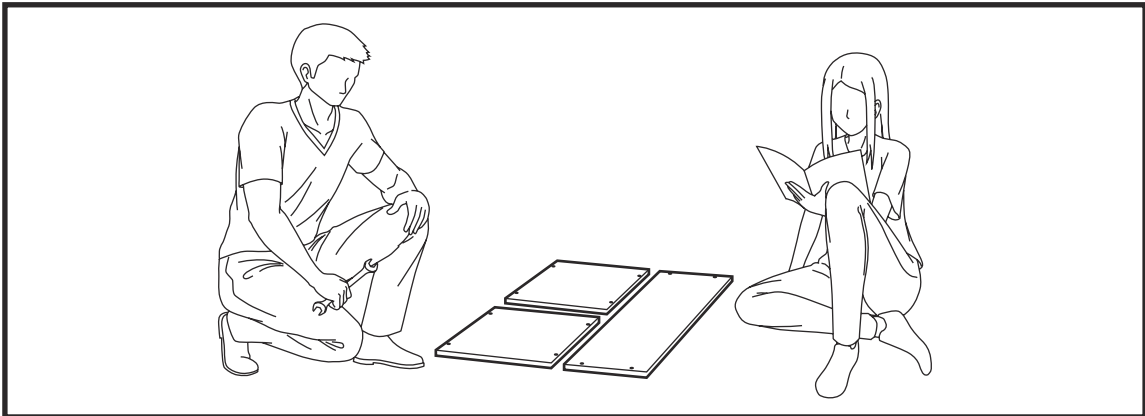




Assemble the furniture on an empty carton, carpet or rug to prevent scratches or damage.

For safety, please keep pets and children away from the assembly area.

Ensure the product is fully assembled before use. If you are missing any hardware or products, do not use it until you have restored the missing parts.



This furniture requires 2 people for assembly.

Read this instruction manual prior to assembly to familiarize yourself with the various steps.

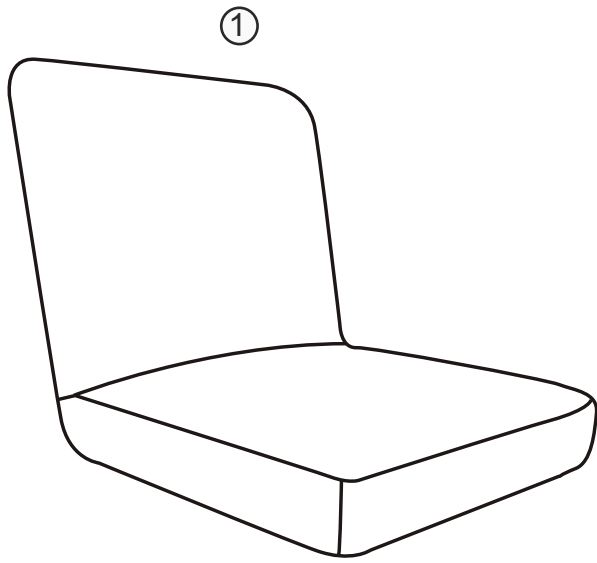
Lay out all components and hardware separately on a flat surface and make sure that no parts are missing or damaged before assembly. Do not destroy or discard any packaging until you are certain that you have all the necessary parts for assembly.

CAUTION

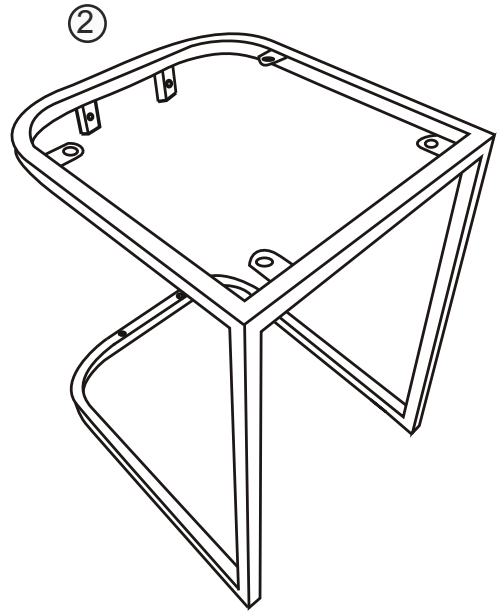
There are small components used in the construction of this product. Loose items should be kept away from pets and children to avoid a choking hazard.

Keep all plastic bags and packaging film away from pets and children to avoid suffocation.

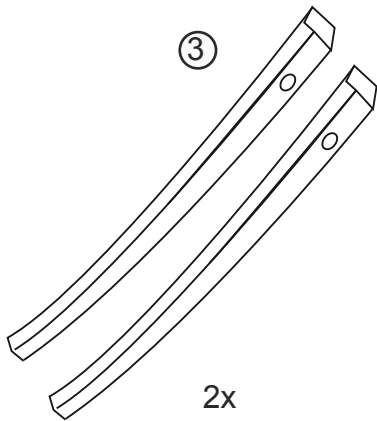
PACKAGE CONTENTS



1x



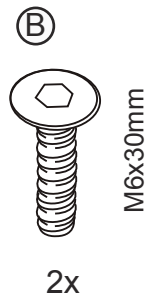
1x



2x



6x



2x

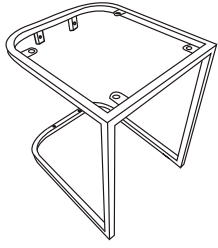


1x

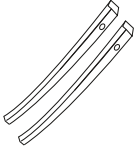
PACKAGE CONTENTS

CODE	DESCRIPTION	QTY
1	Seat	1
2	Backrest	1
3	Crossbar	2
A	M6 x 16 Bolt	6
B	M6 x 30 Bolt	2
C	Hexagon Spanner	1

1



② 1X



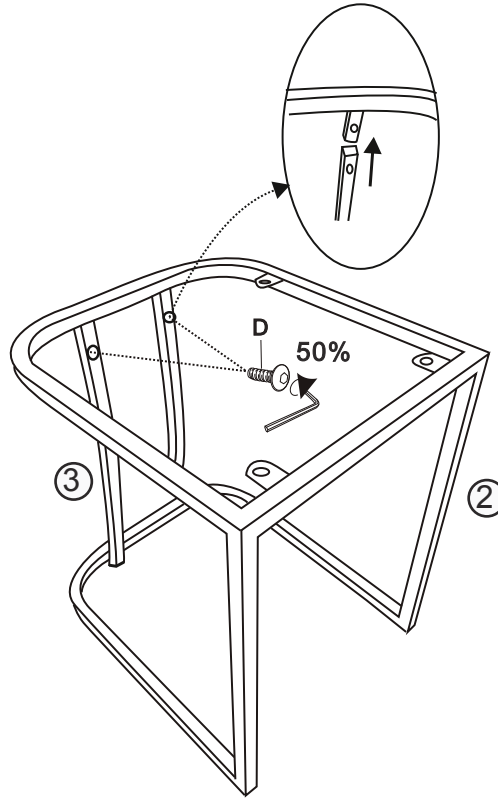
③ 2X



M6x16mm

Ⓐ 2X

Assemble the crossbars (3) between (2), Tighten the bolt 50%.



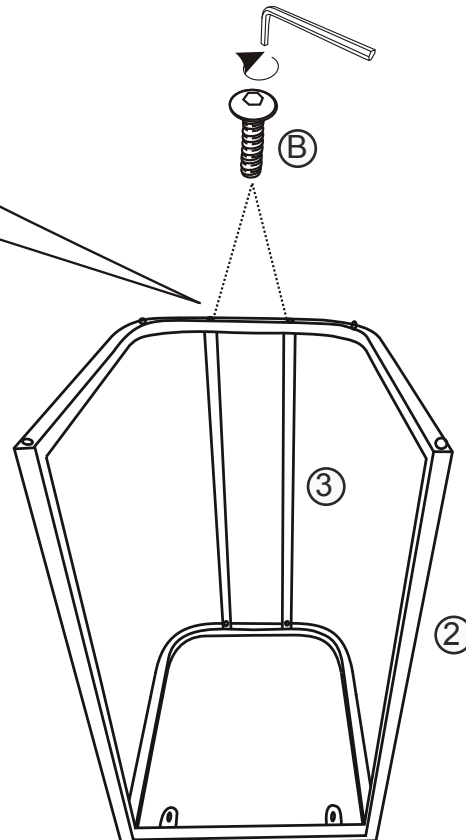
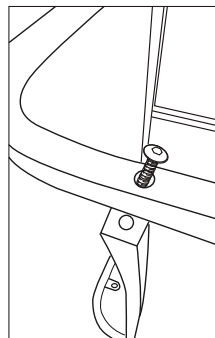
2

Tighten the bolts 100%

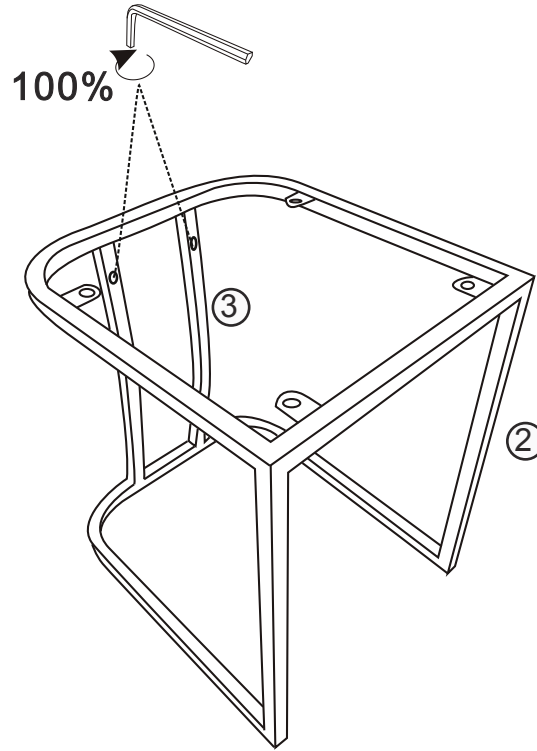


M6x30mm

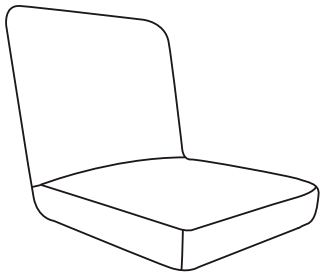
Ⓑ 2x



3



4



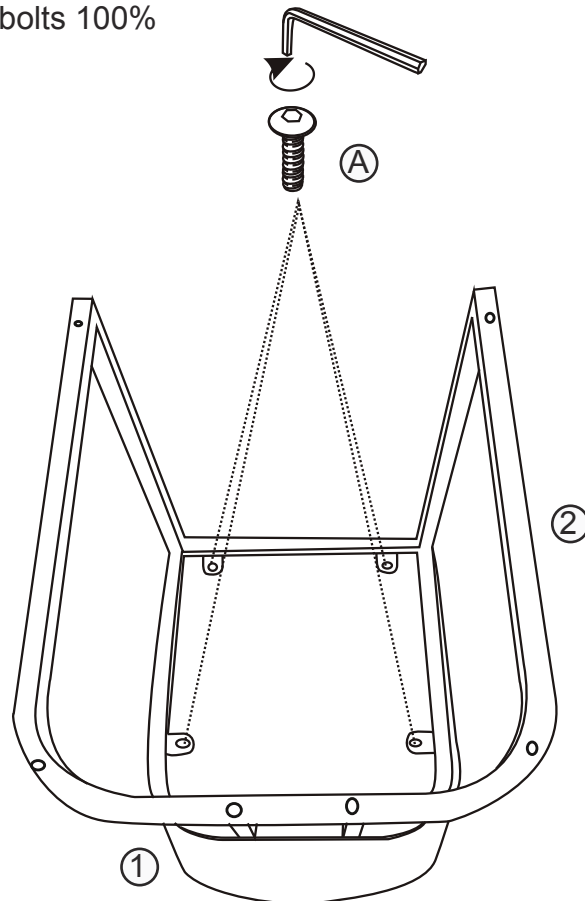
① 1X



M6x16mm

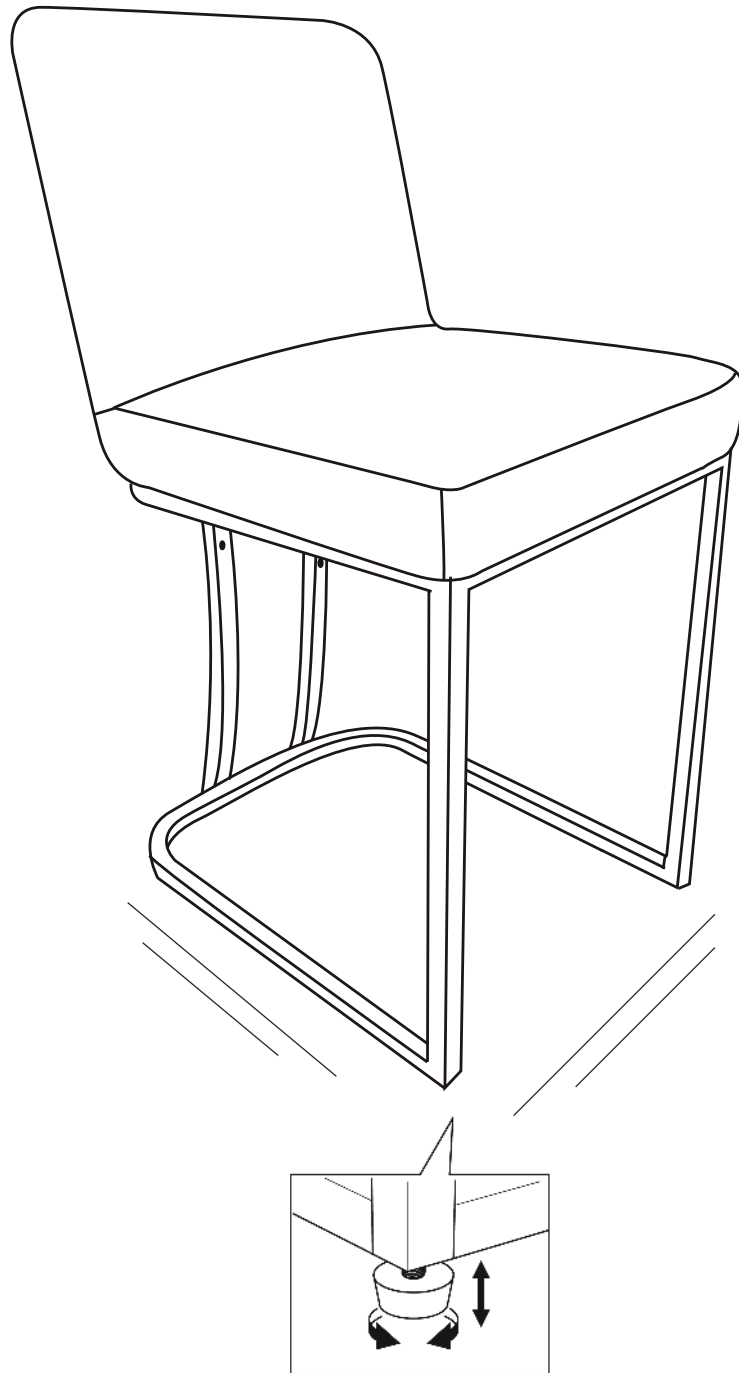
Ⓐ 4X

Tighten the bolts 100%



5

Level the stool on the ground, adjust the leg leveler if necessary.



YOU'RE FINISHED!

BELLEZE®

FURNITURE CARE AND MAINTENANCE

Thank you for your purchase. We want your item to last as long as possible. To ensure the product gives you years of longevity, please follow the recommendations in this care and maintenance guide.



MAINTENANCE

- Tighten all bolts and screws again within the first 2 weeks of assembly.
- Check the tightness of all bolts every 2 months and tighten them if necessary.



CLEANING

- Clean the furniture surface with a lightly dampened cloth or soft brush.
- Regularly clean the cloth surface with a vacuum cleaner.
- Dry the surface immediately after cleaning.

⚠ DO NOT use bleach or alcohol to clean the surface.

⚠ WARNING

The manufacturer and seller are not responsible for any and all liability relating to personal injury, property damage or losses, whether direct, indirect, or incidental, resulting from the incorrect attachment, improper use, inadequate maintenance, unapproved modification or neglect of this product.

© All copyright of this document belongs to BELLEZE .
This document may not be printed, translated, reproduced, or distributed in whole or in
part without written permission from BELLEZE.

WARRANTY

BELLEZE products come with a 1-year warranty from the date of delivery.
Register your product on our website to enjoy our limited lifetime warranty!



AFTER-SALE SERVICE



Encounter any difficulties or missing parts?



Contact us at **1-800-682-6376** or email us at **support@belleze.com**



We will send you replacement.



Hassle free!
No need to worry about repackaging and sending your item back.

We hope you enjoy your new BELLEZE furniture!
Share your photos on Instagram and tag us: @bellezefurniture.

FOLLOW US:



@bellezefurniture

CONTACT INFO:

support@belleze.com
1-800-682-6376

BELLEZE®