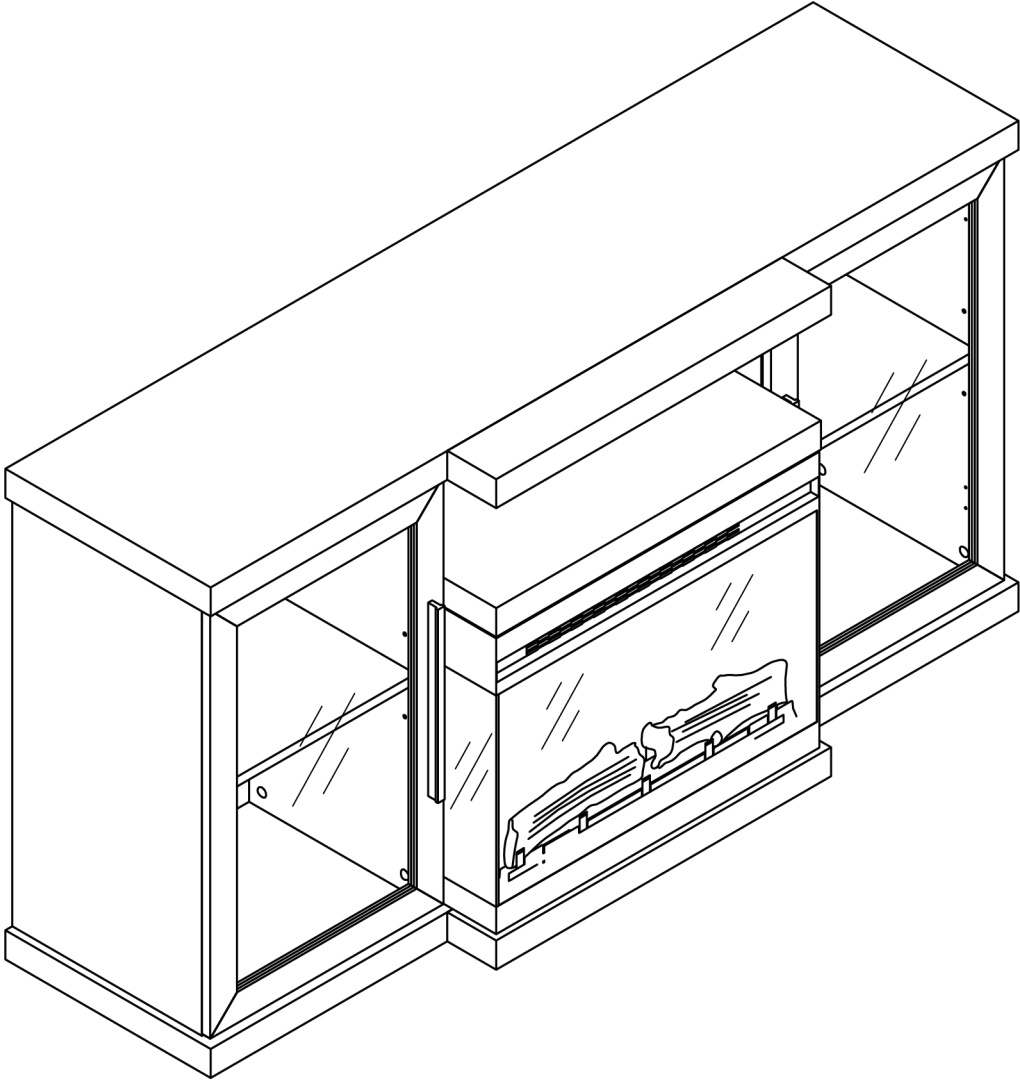



Bardot Electric Fireplace Entertainment Stand



BELLEZE[®]

FOLLOW US:	CONTACT INFO:	ITEM NO. 014-HG-41892
 @bellezefurniture	support@belleze.com 1-800-682-6376	The instruction booklet contains IMPORTANT safety information. Please read it in full and keep it for future reference.

Scan this QR Code
to view our online tutorial

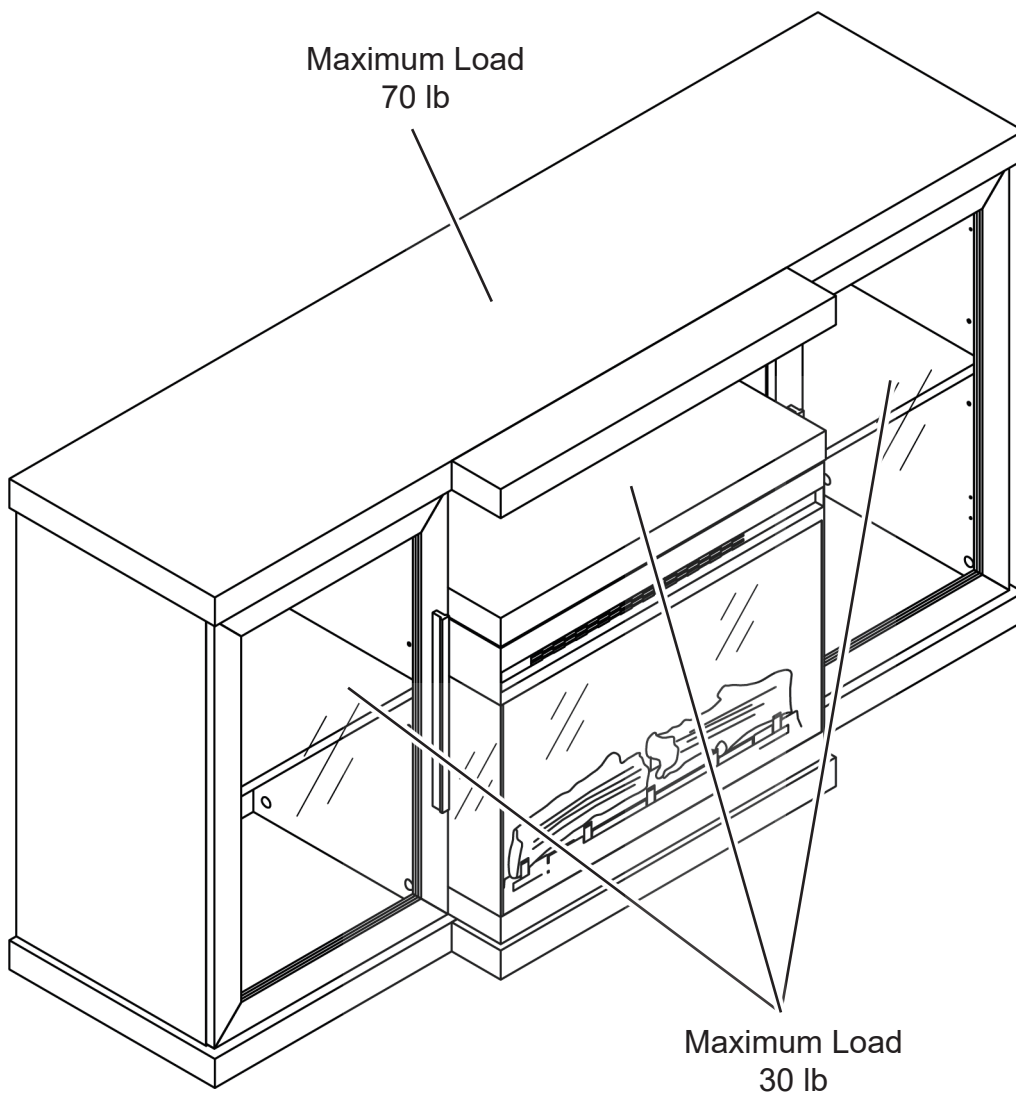


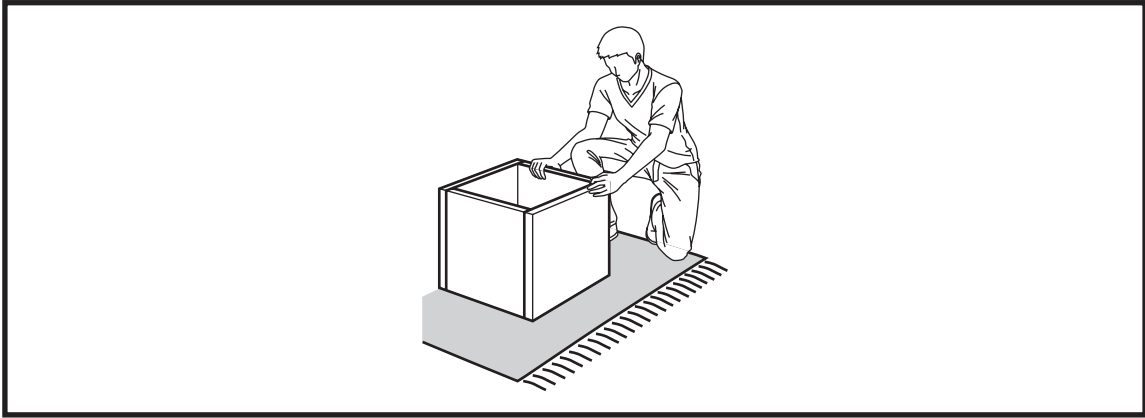
Estimated time for assembly:

90 mins



Weight limitations are as follows:

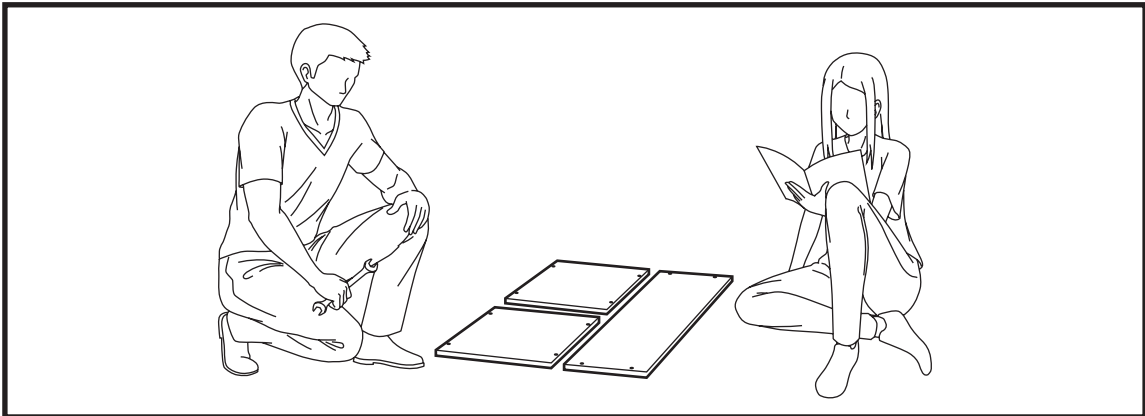




Assemble the furniture on an empty carton, carpet, or rug to prevent scratches or damage.

For safety, please keep pets and children away from the assembly area.

Ensure the product is fully assembled before use. If you are missing any hardware or products, do not use it until you have restored the missing parts.



This furniture requires 2 people for assembly.

Read this instruction manual prior to assembly to familiarize yourself with the various steps.

Lay out all components and hardware separately on a flat surface and make sure that no parts are missing or damaged before assembly. Do not destroy or discard any packaging until you are certain that you have all the necessary parts for assembly.

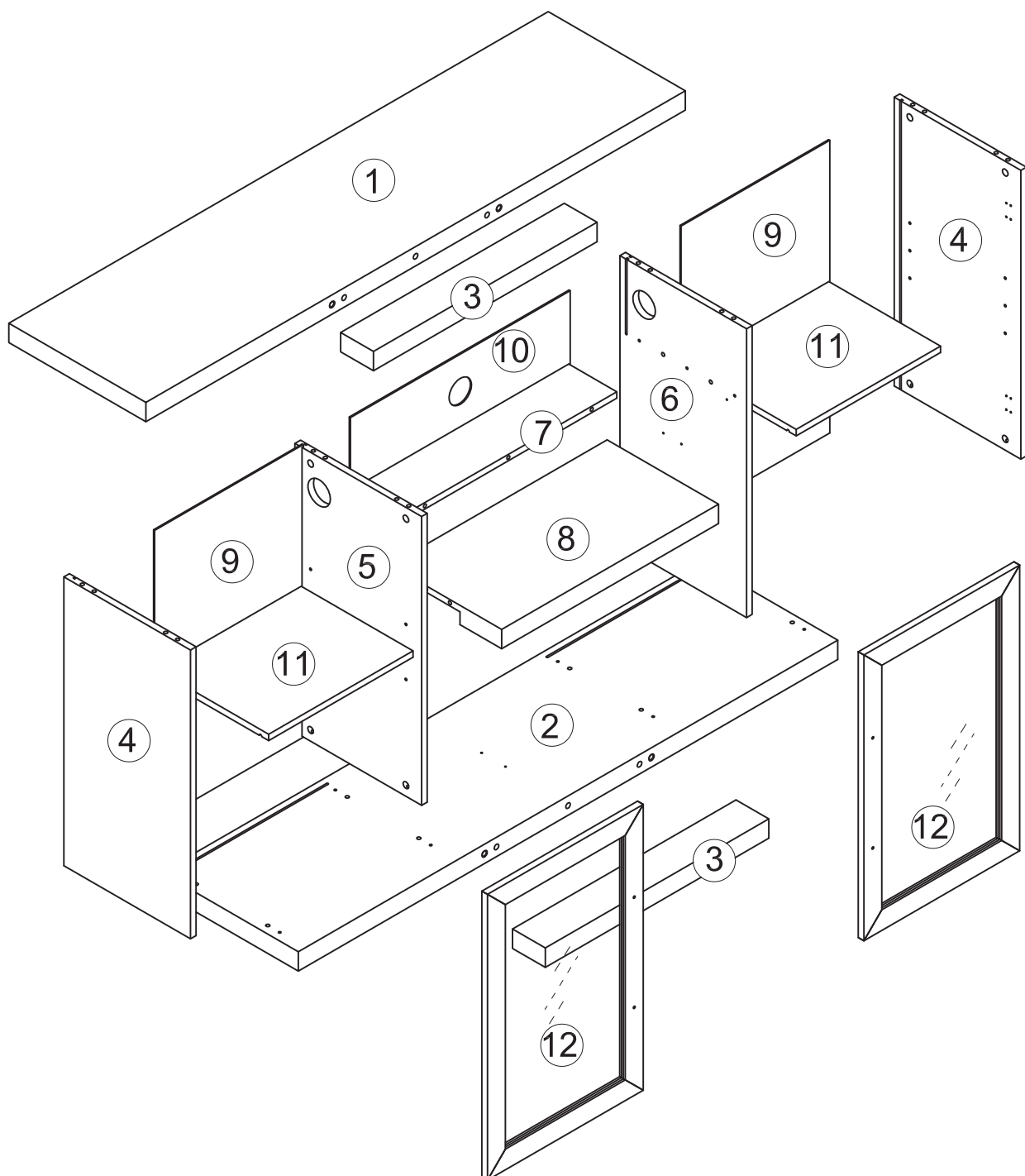
Hand tight all hardware and careful not to over tighten to avoid damaging the product.

CAUTION

There are small components used in the construction of this product. Loose items should be kept away from pets and children to avoid a choking hazard.

Keep all plastic bags and packaging film away from pets and children to avoid suffocation.

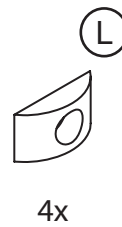
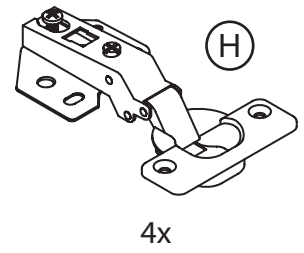
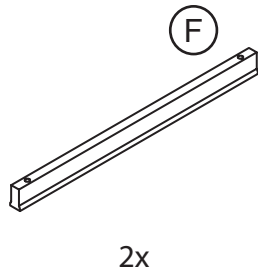
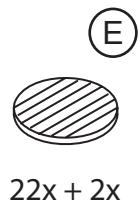
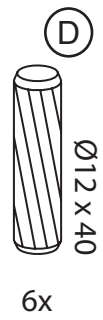
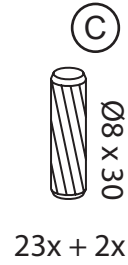
PACKAGE CONTENTS



PACKAGE CONTENTS

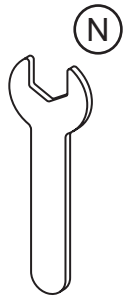
CODE	DESCRIPTION	QTY
1	Top Panel	1
2	Bottom Panel	1
3	Fireplace Extension Panel	2
4	Side Panel	2
5	Left Medial Panel	1
6	Right Medial Panel	1
7	Center Rear Storage Panel	1
8	Center Front Storage Panel	1
9	Side Back Panel	2
10	Center Back Panel	1
11	Storage Shelf Panel	2
12	Cabinet Door	2

PACKAGE CONTENTS



Install all hardware perpendicular to the opening.

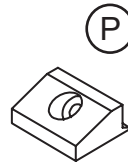
PACKAGE CONTENTS



1x



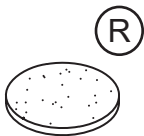
8x



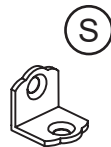
16x + 1x



16x + 1x



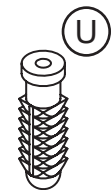
8x



2x



4x



2x



2x



2x

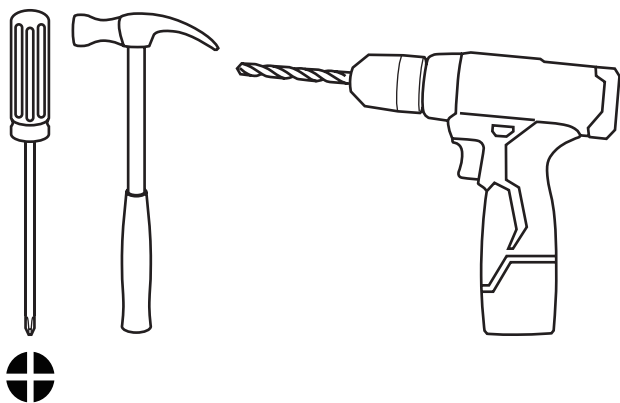


2x



Install all hardware perpendicular to the opening.

Required tools for assembly (Not included)



1

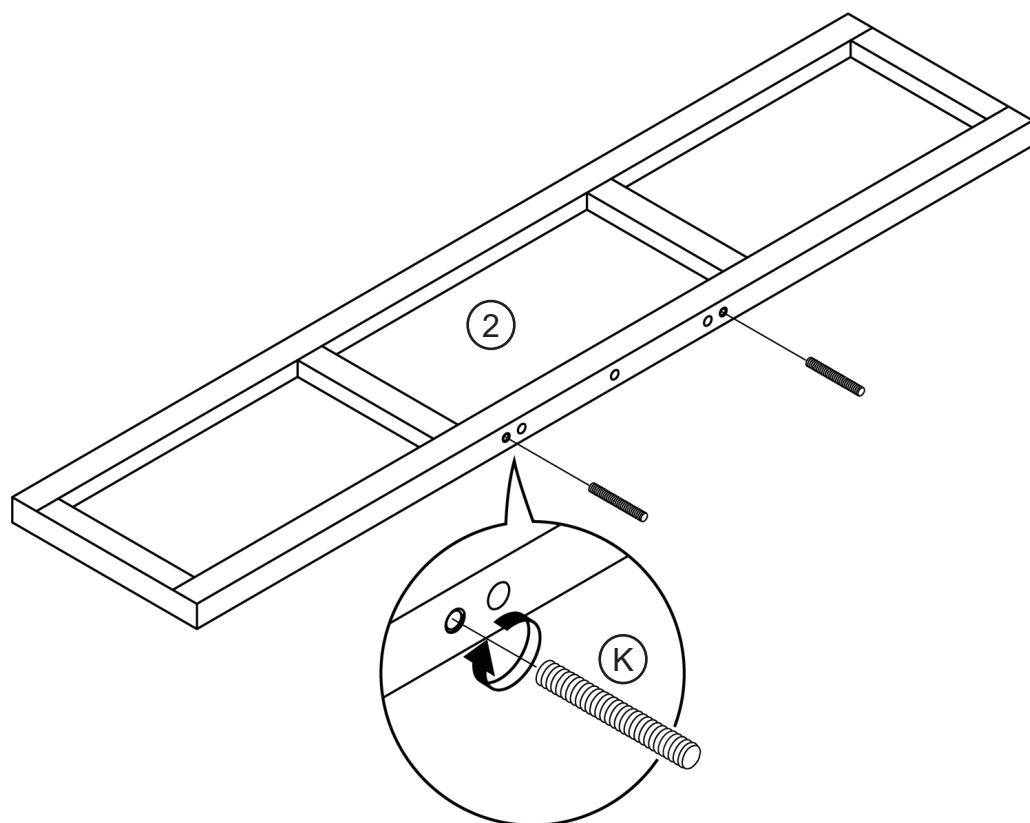
Attach threaded stud bolts to the bottom panel (2).



M8 x 60

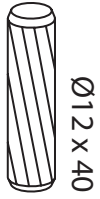
(K)

2x



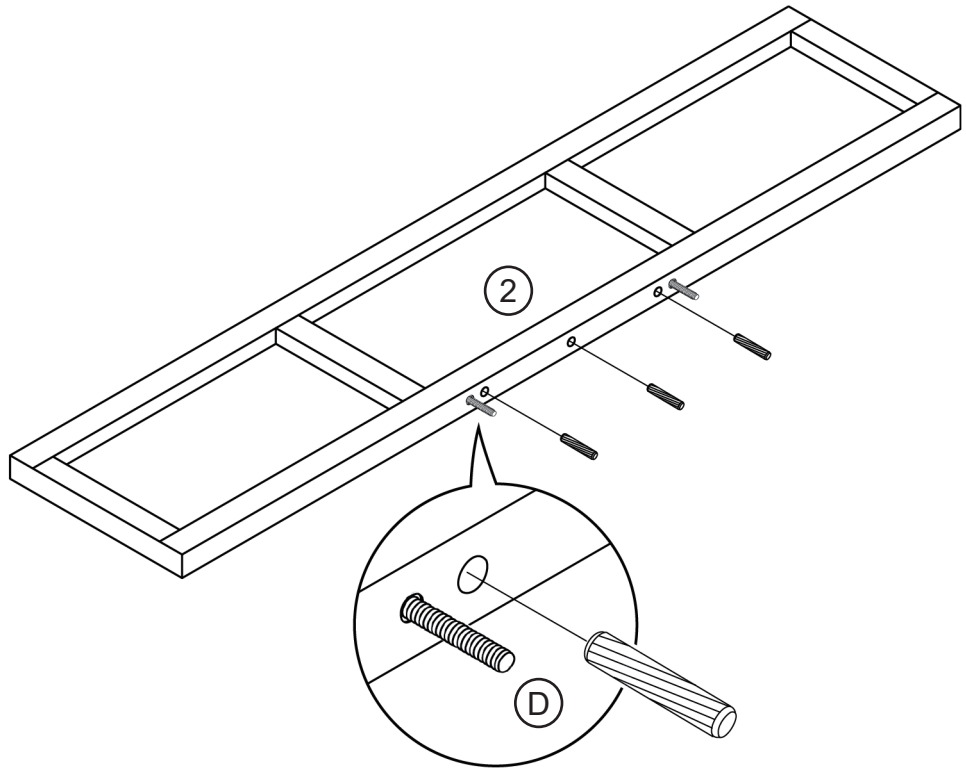
2

Insert large wood dowels into the side of the bottom panel (2).



Ø12 x 40

(D) 3x



3

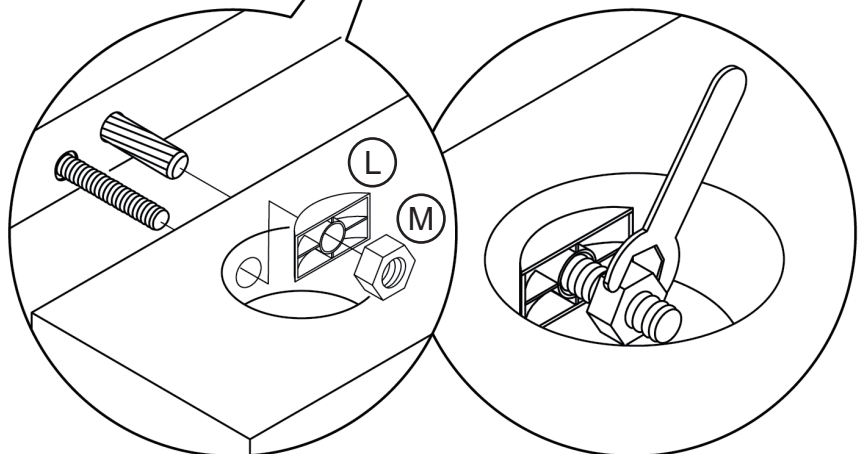
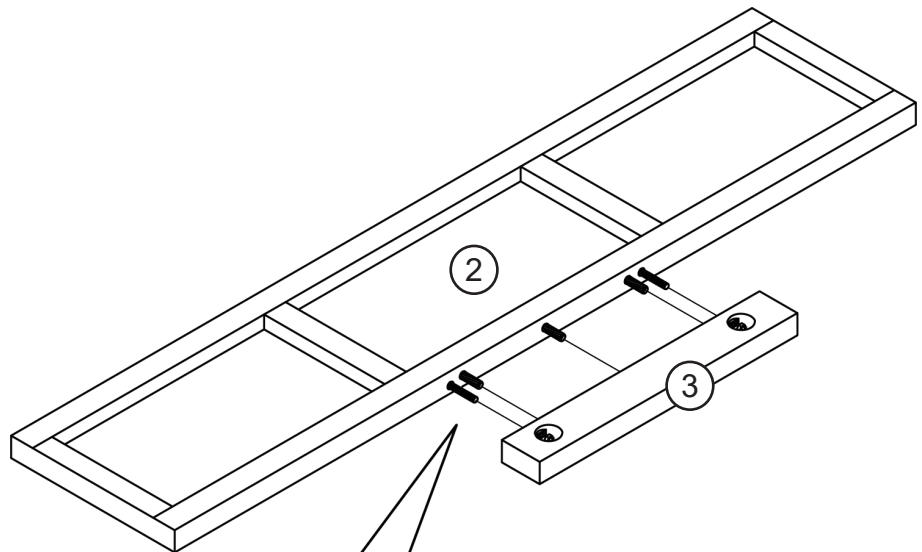
Assemble a piece of fireplace extension panel (3) to the bottom panel (2).



(L) 2x

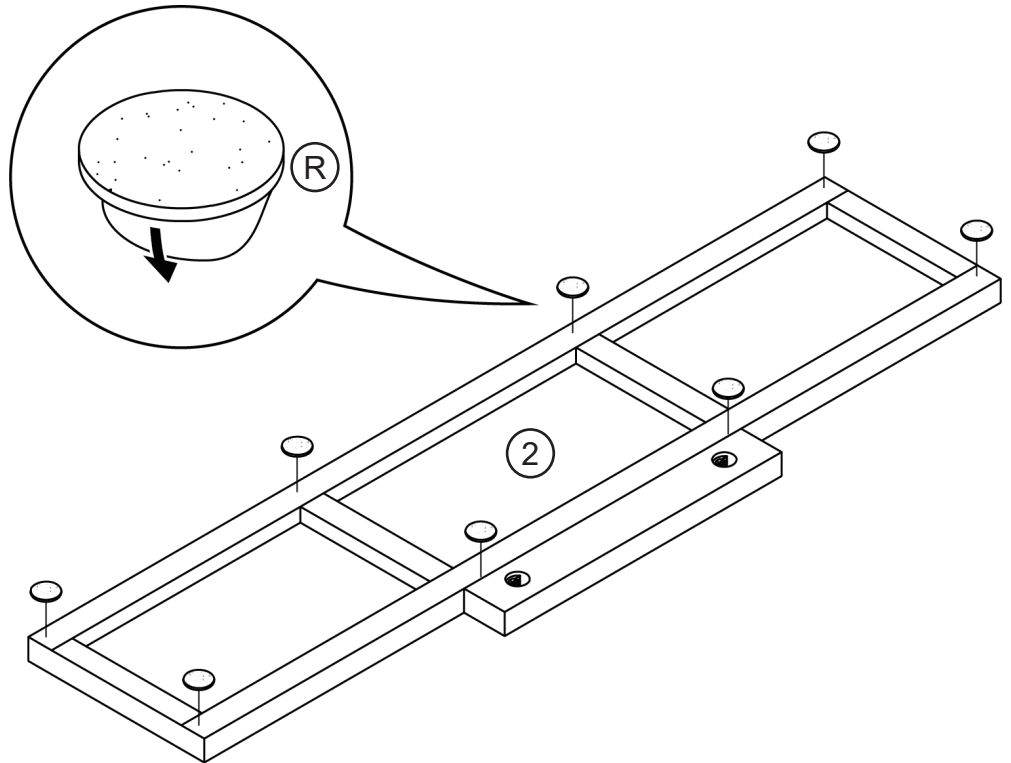
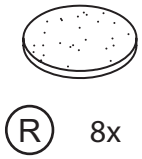


(M) 2x



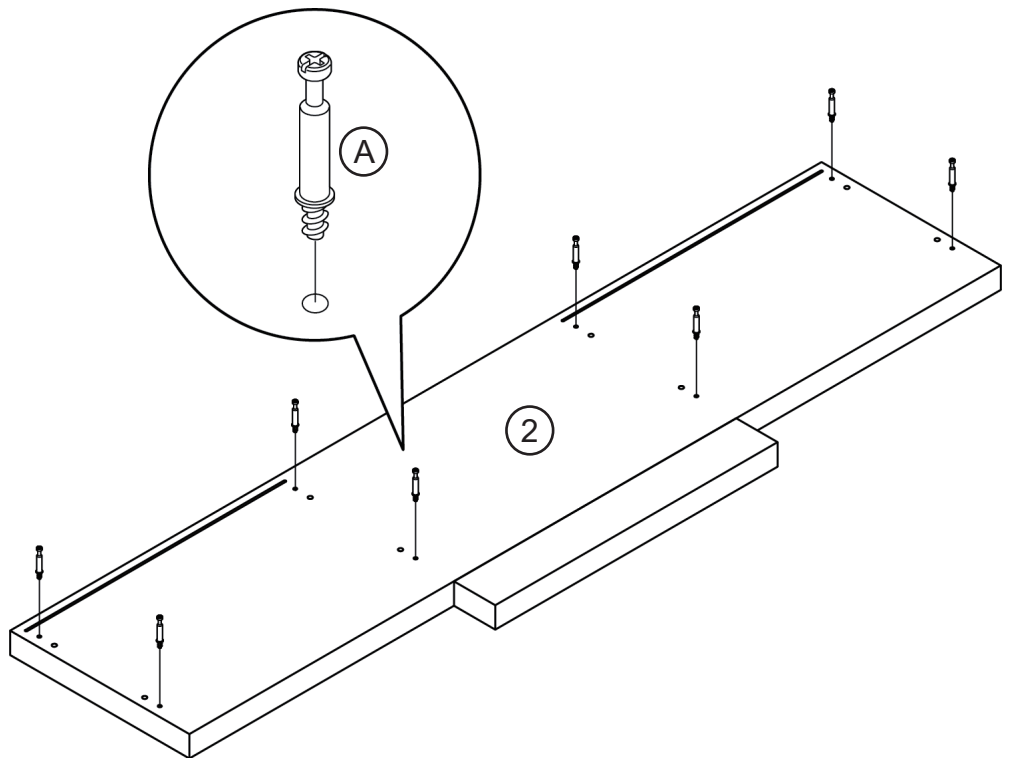
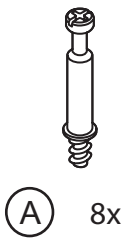
4

Stick protection pads under the bottom panel (2).



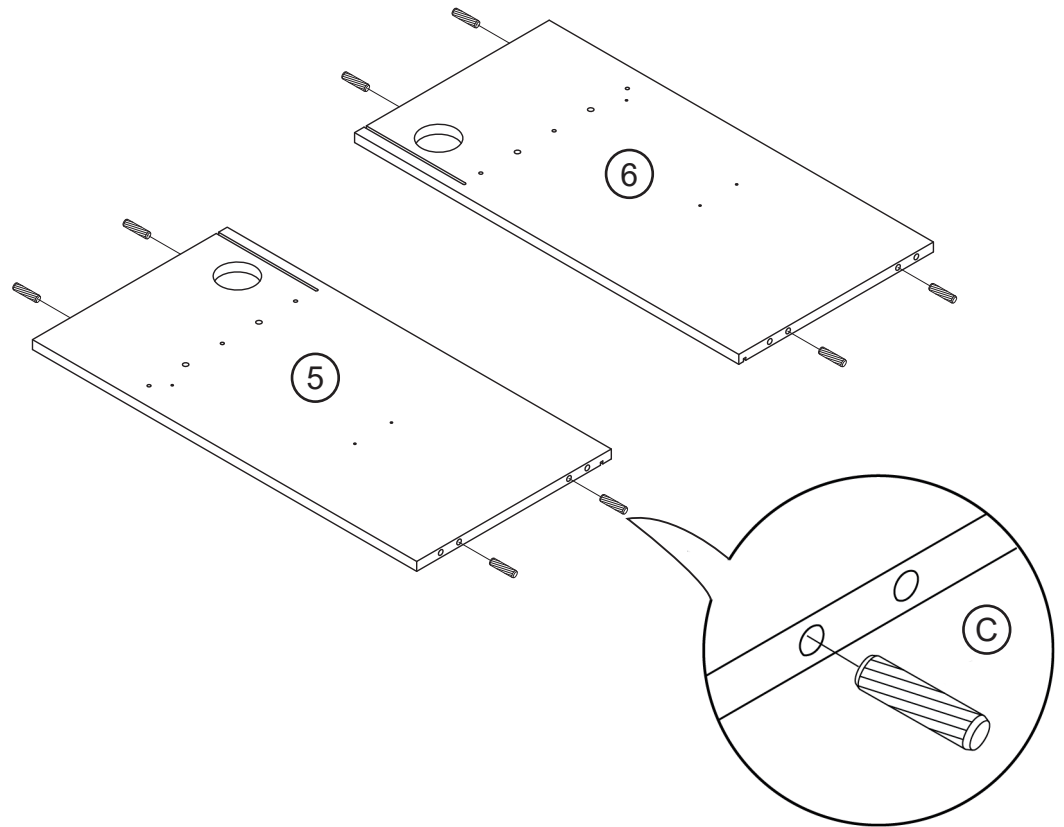
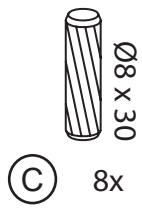
5

Place the bottom panel (2) to its upright position and attach cam bolts.



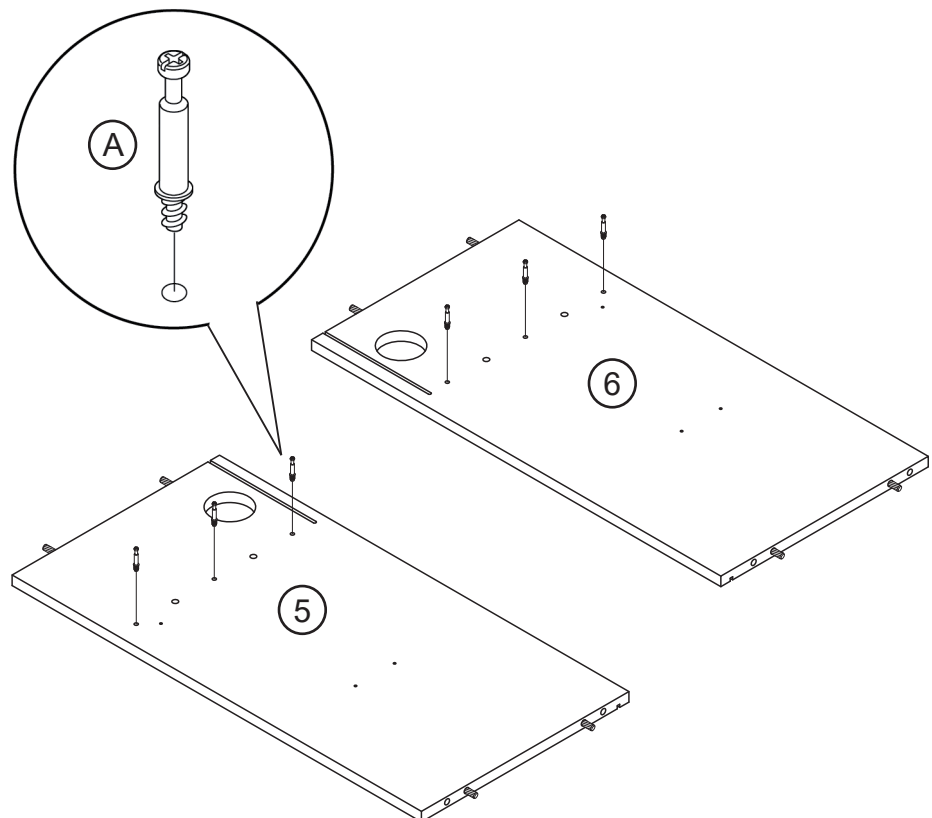
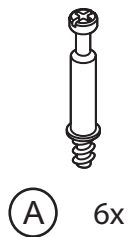
6

Insert small wood dowels to the medial panels (5, 6).



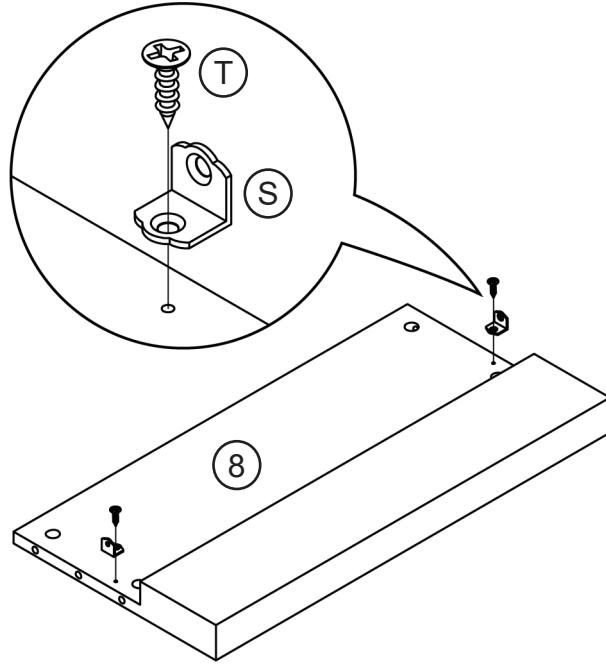
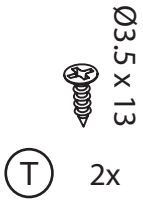
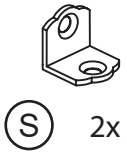
7

Attach cam bolts to the medial panels (5, 6).



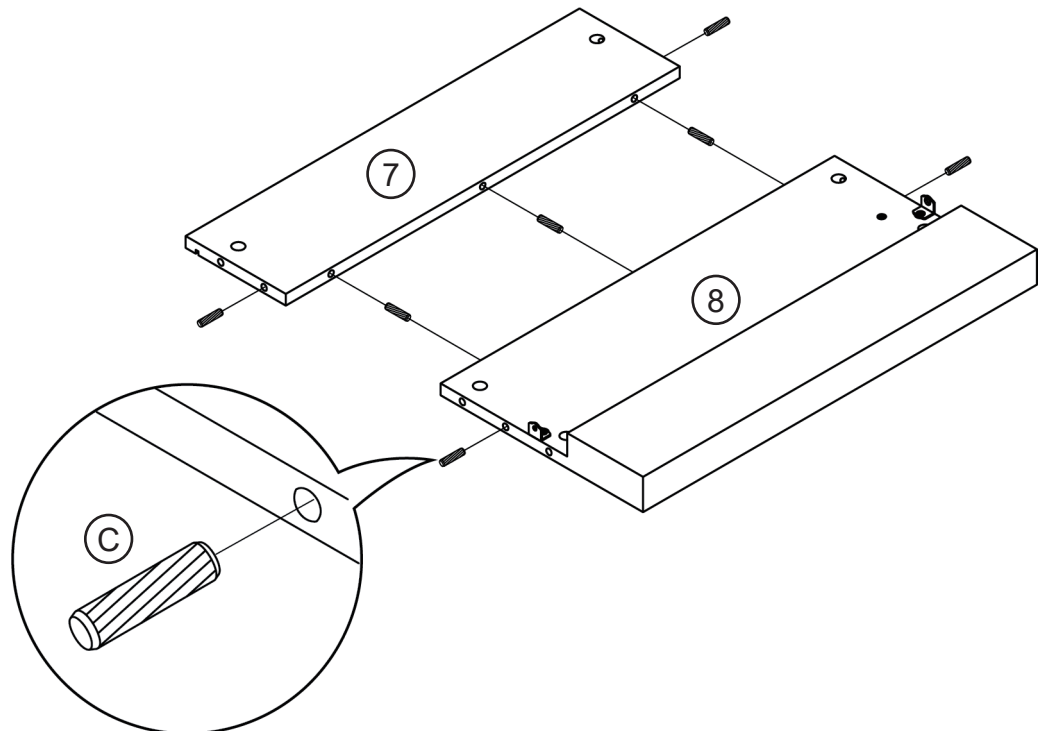
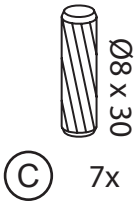
8

Attach corner brace joints on the center front storage panel (8).



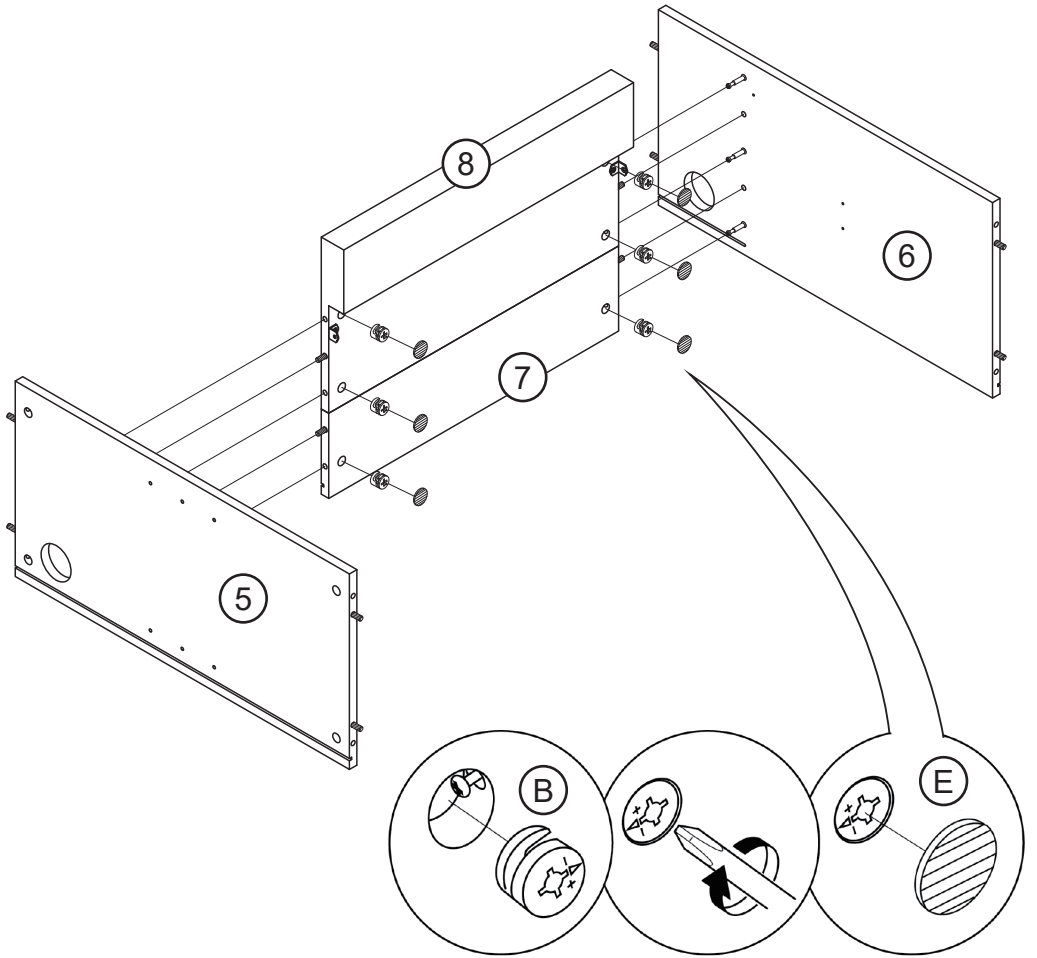
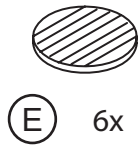
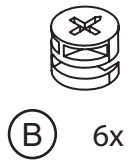
9

Insert wood dowels to the center front and center rear storage panels (7, 8), then connect the two panels together.



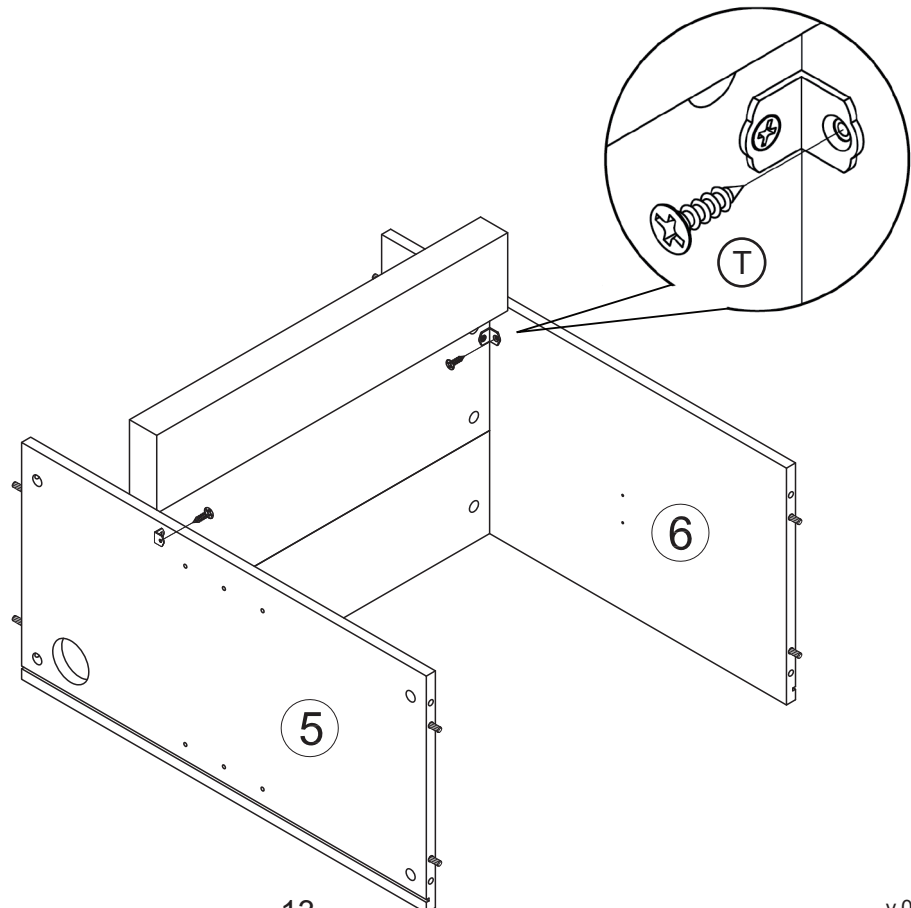
10

Assemble the center front and center rear storage panels (7, 8) between the left and right medial panels (5, 6).



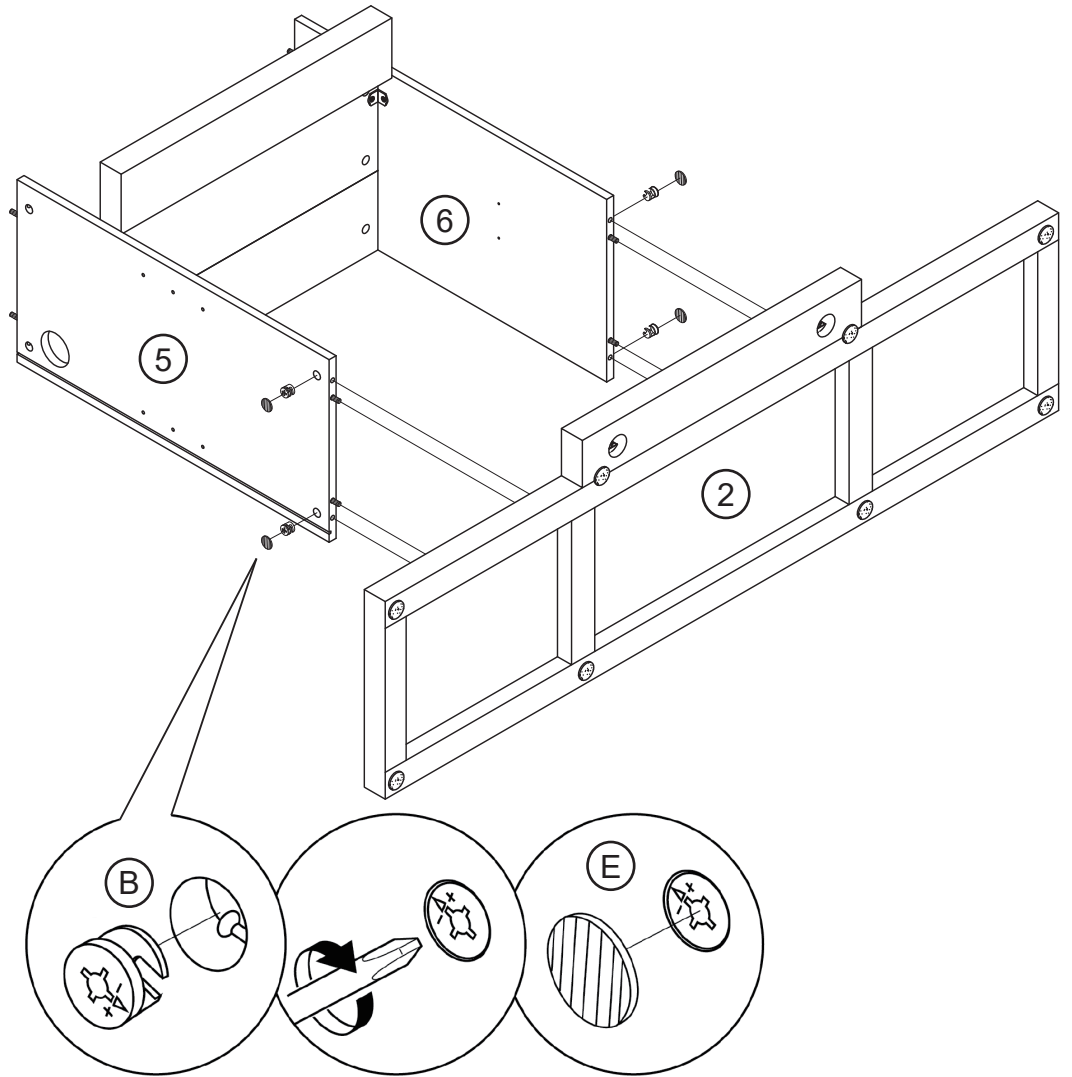
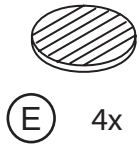
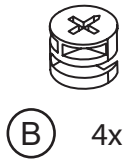
11

Secure the corner brace joints to the left and right medial panels (5, 6).



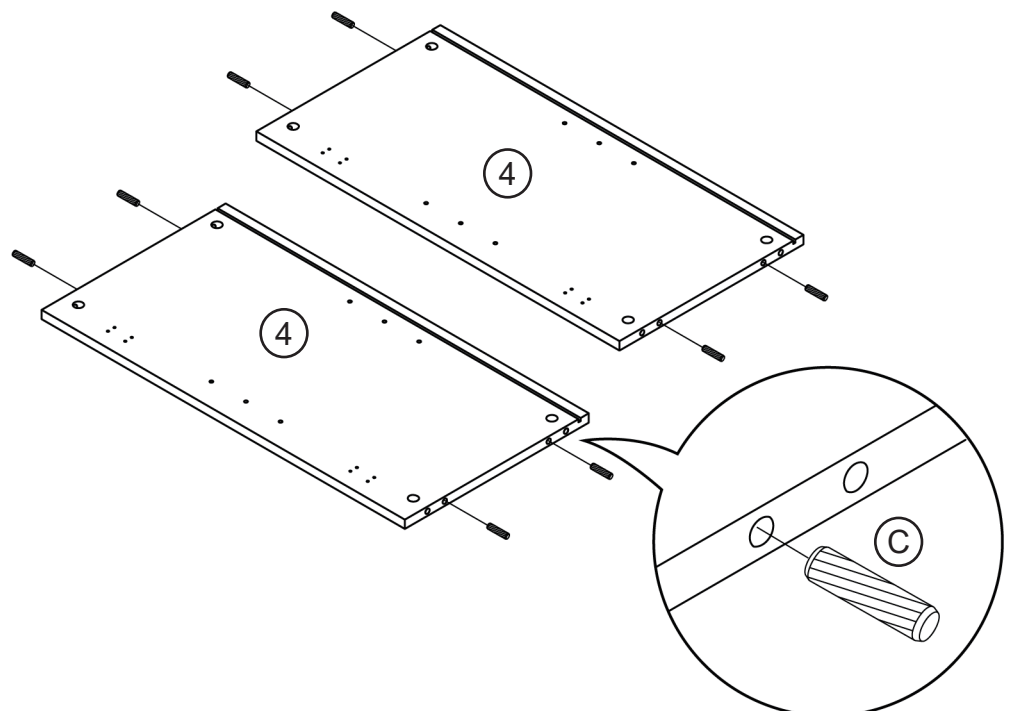
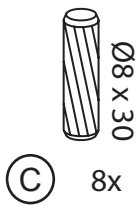
12

Assemble the shelf assemblies on top of the bottom panel (2).



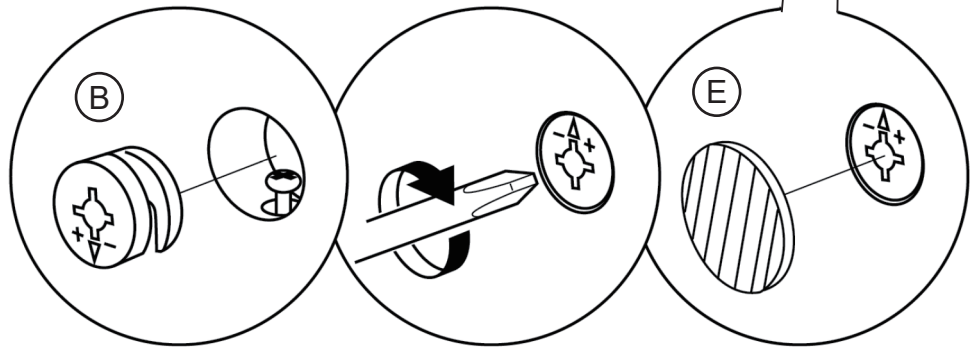
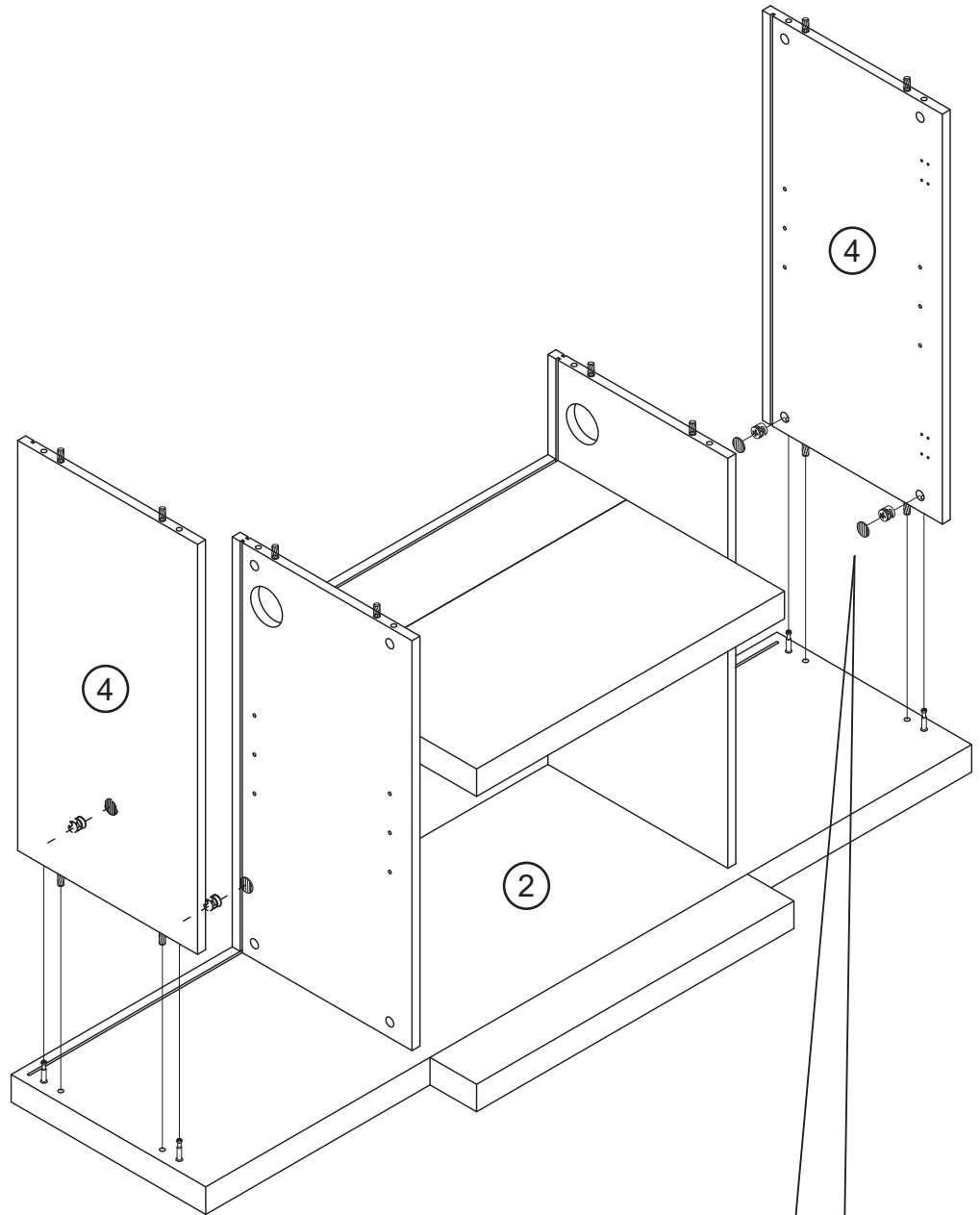
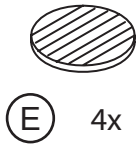
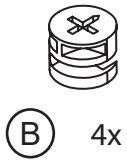
13

Insert wood dowels to the side panels (4).



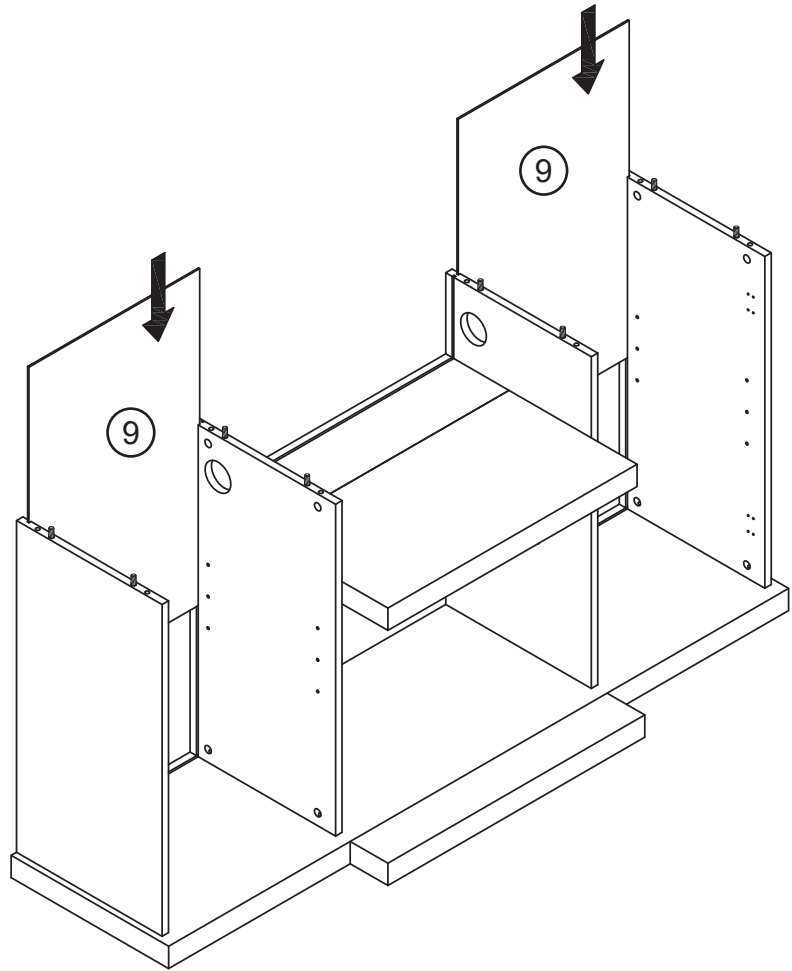
14

Assemble side panels (4) on top of the bottom panel (2).



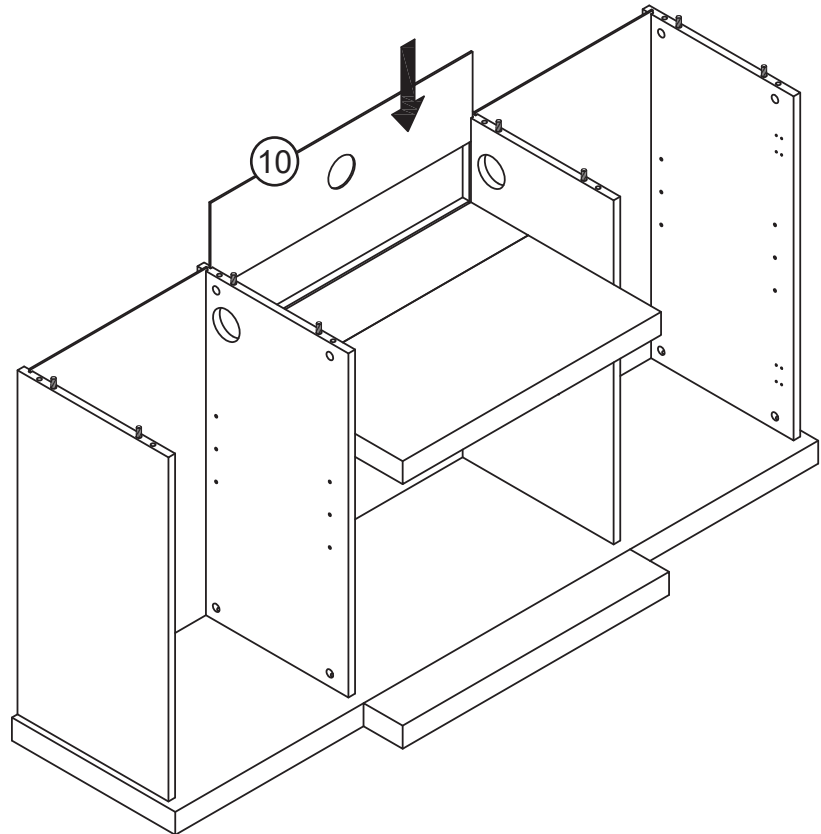
15

Slide in the side back panels (9) to the back of the assembly.



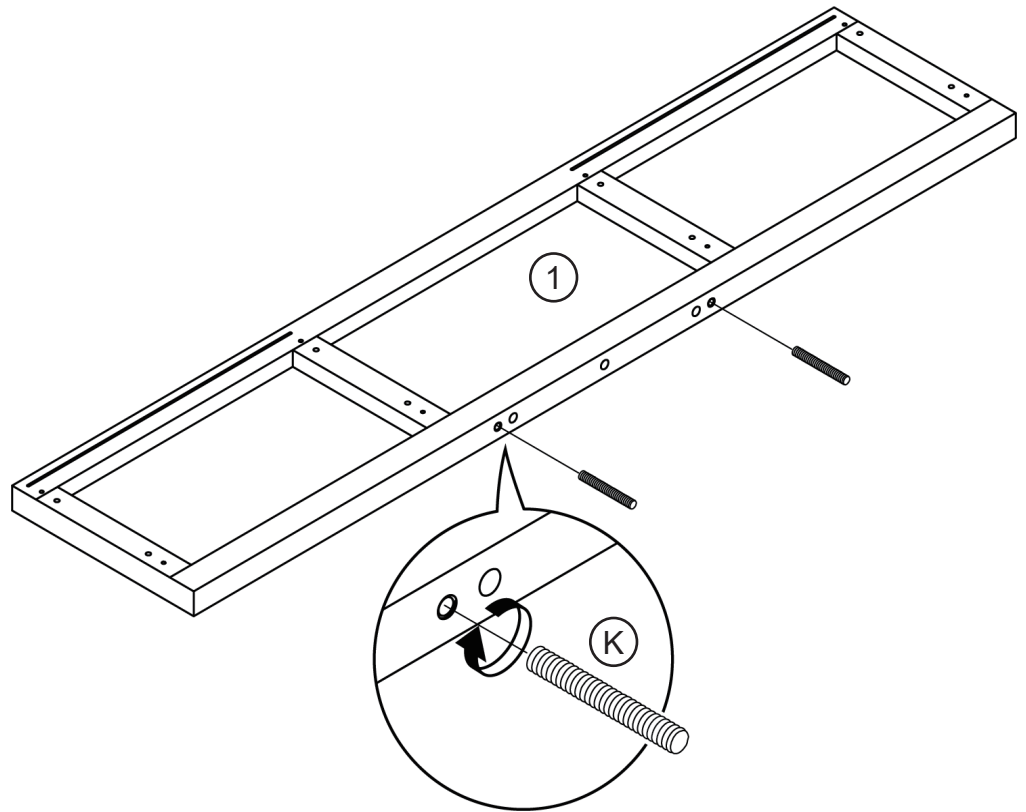
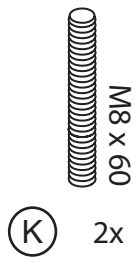
16

Slide in the center back panel (10).



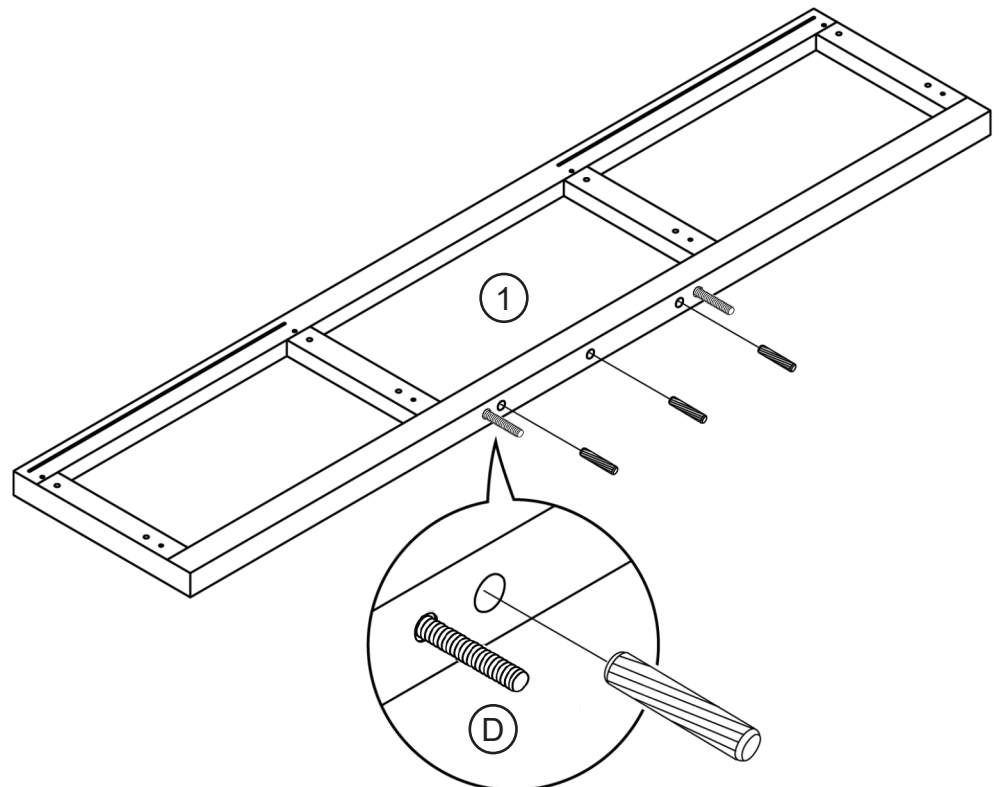
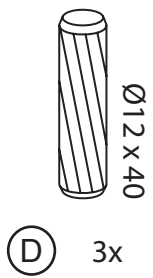
17

Attach threaded stud bolts to the top panel (1).



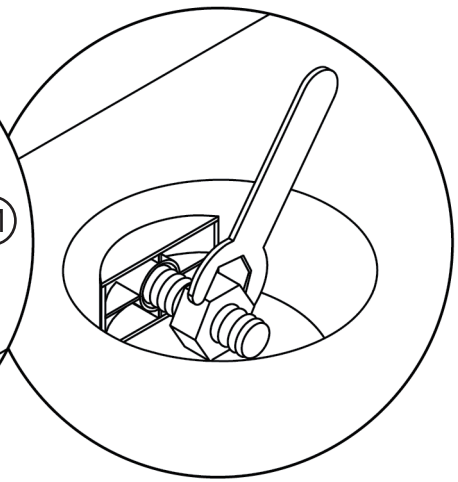
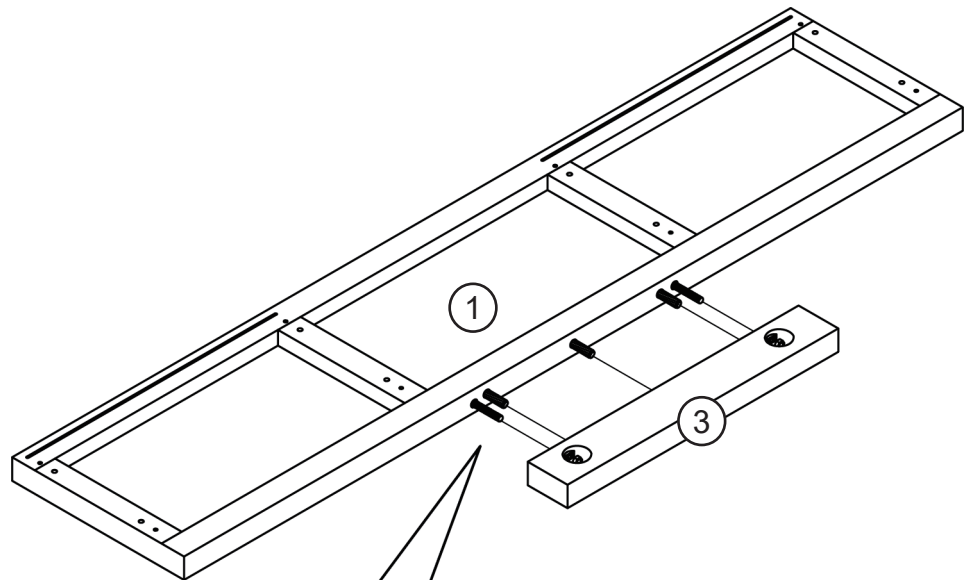
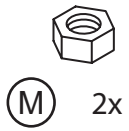
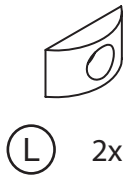
18

Insert wood dowels to the side of the top panel (1).



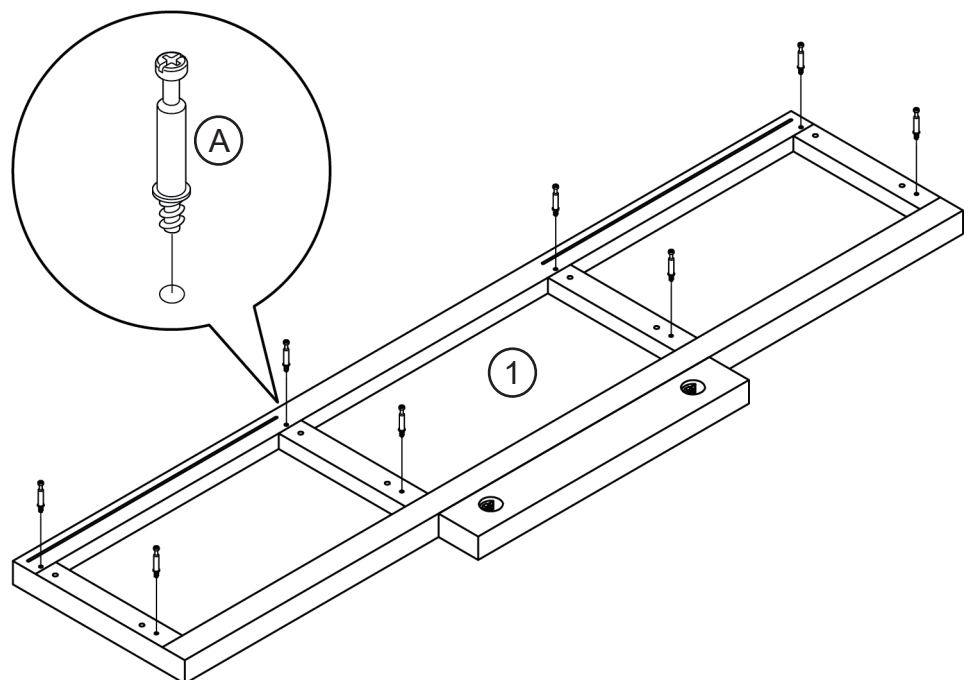
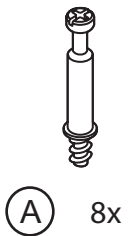
19

Assemble the fireplace extension pael (3) to the top panel (1.)



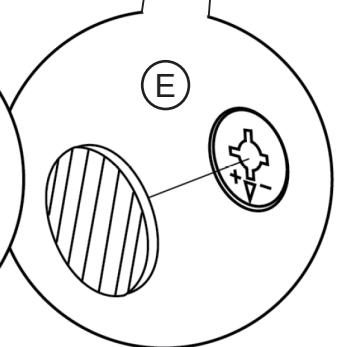
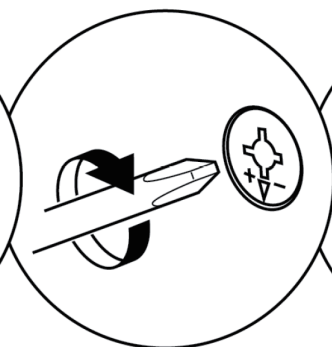
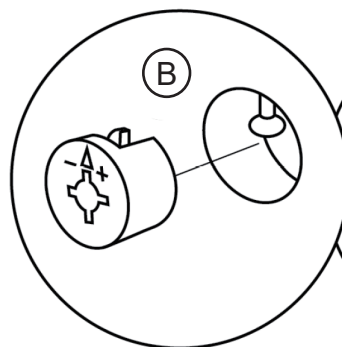
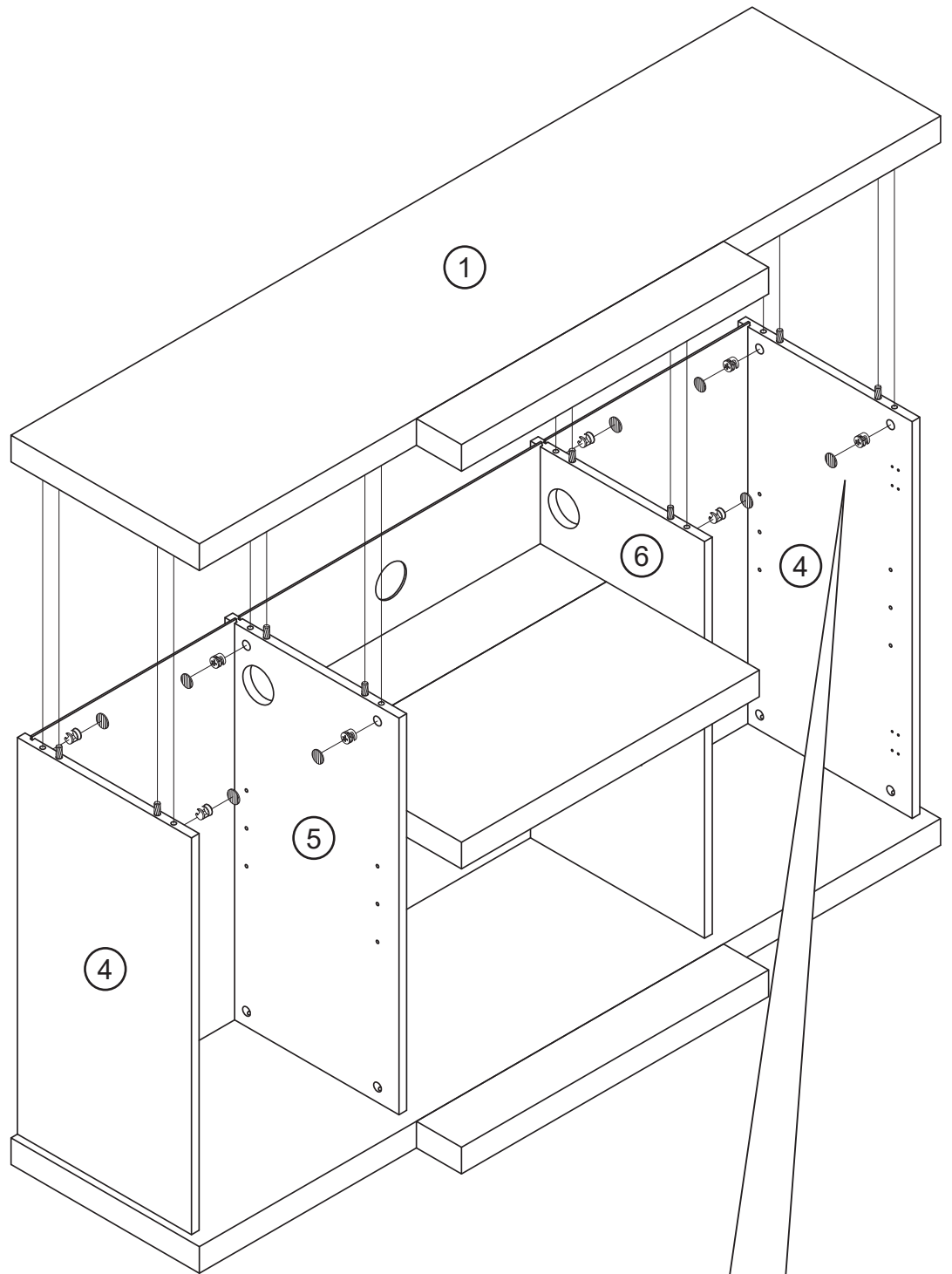
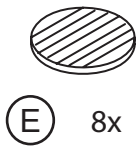
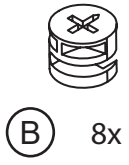
20

Attach cam bolts to the underside of the top panel (1).



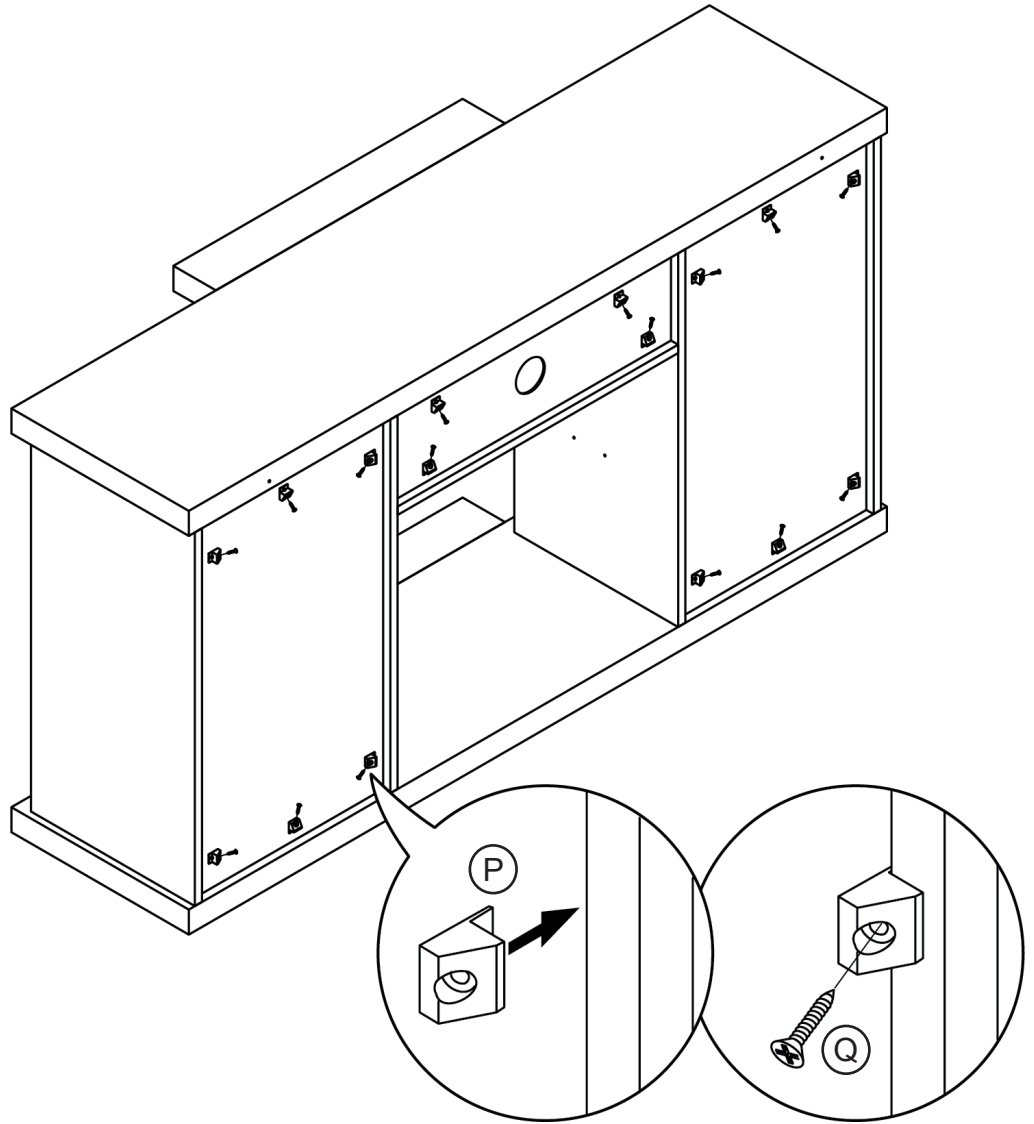
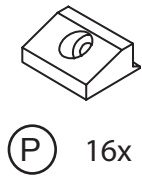
21

Assemble the top panel (1) on top of the shelf.



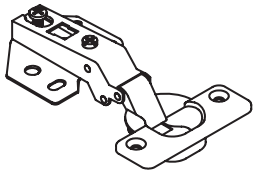
22

Secure the back panels in place.



23

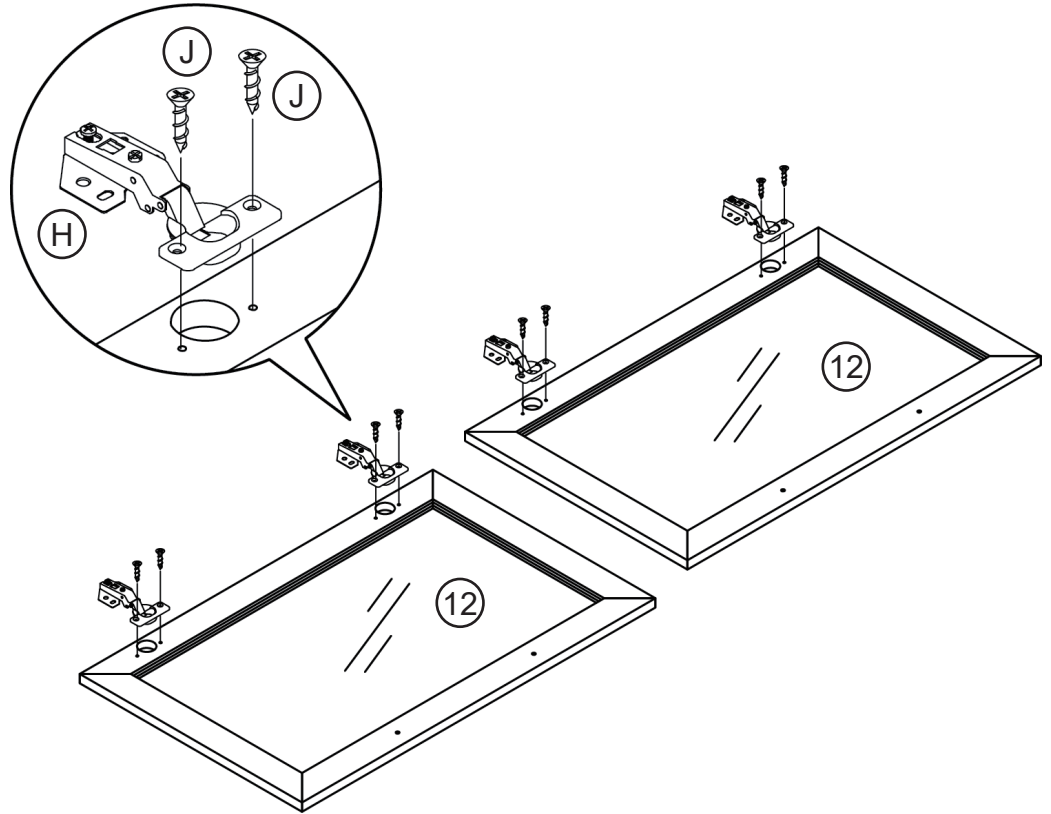
Assemble door hinges to the cabinet doors (12).



(H) 4x

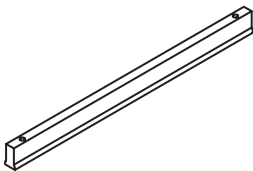


(J) 8x



24

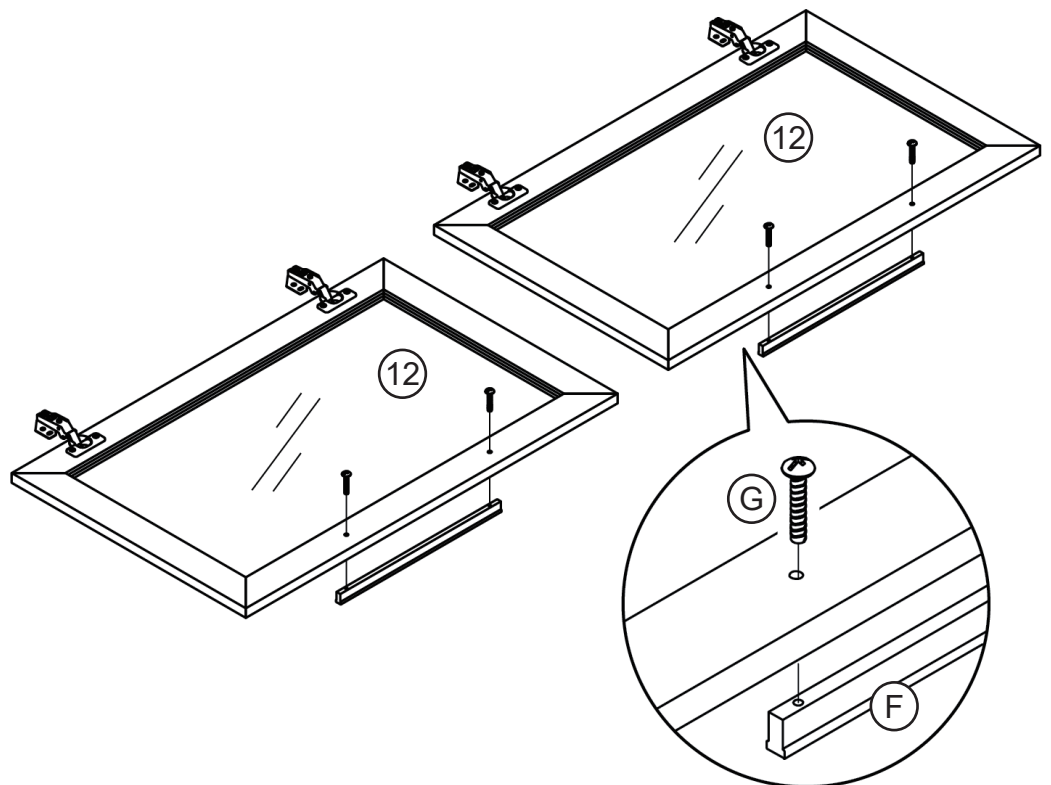
Assemble the door handle to the cabinet doors.



(F) 2x



(G) 4x

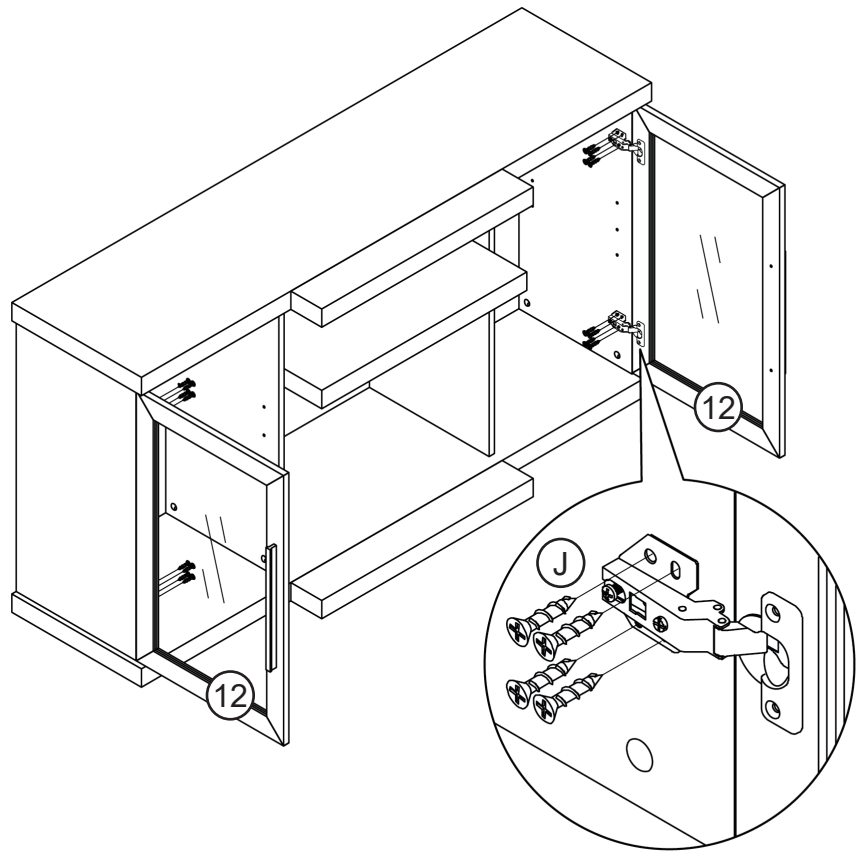


25

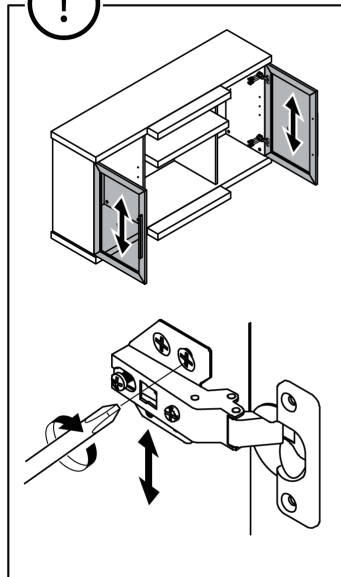
Assemble the cabinet doors to the stand.



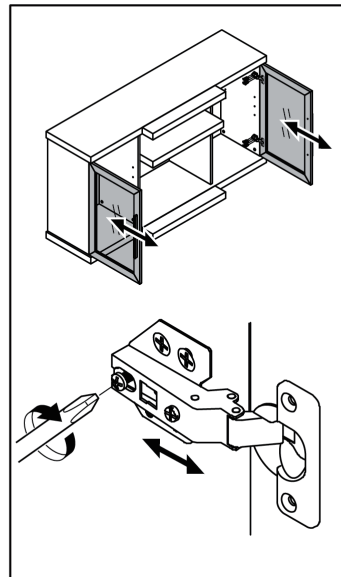
(J) 16x



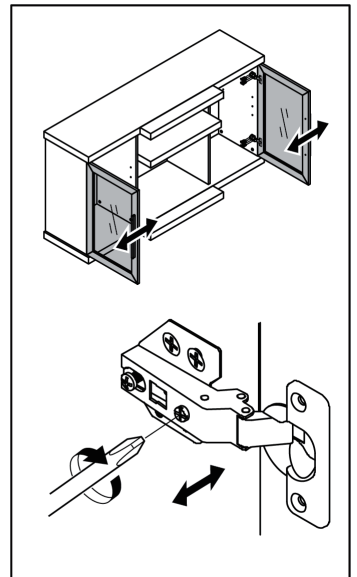
! Adjust the position of the cabinet doors.



Up and down adjustment by loosening the screws on the mounting plate.



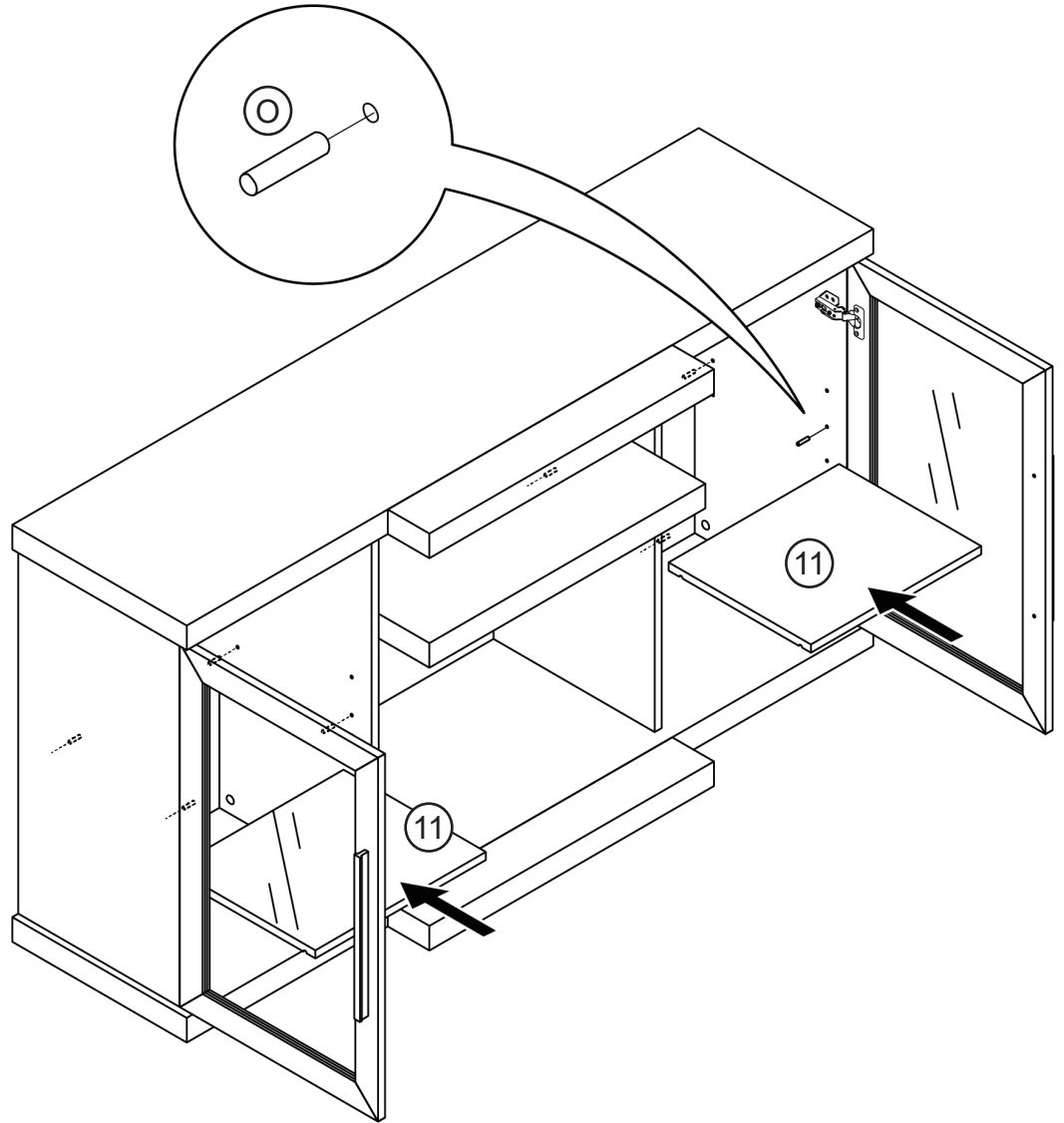
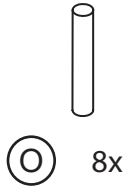
In and out adjustment by loosening the screws on the hinge arm.



Side to side adjustment using the front adjustment screw on the hinge.

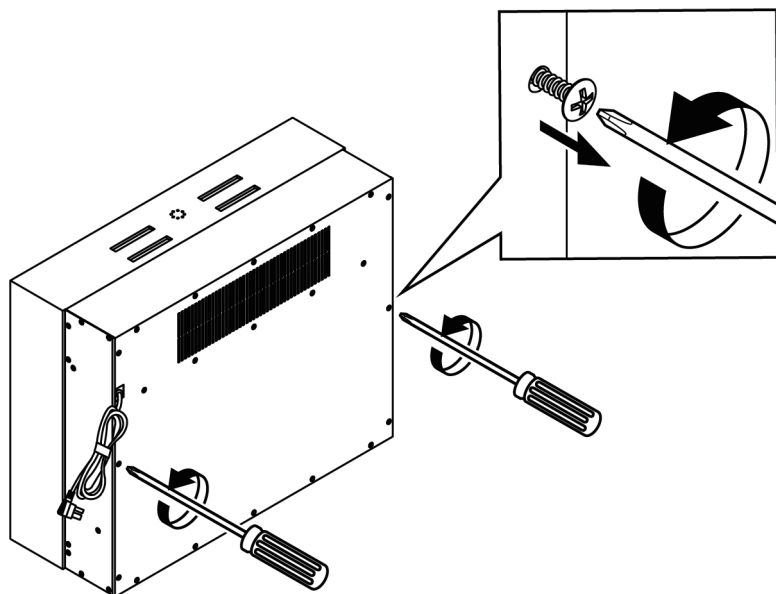
26

Insert shelf pegs inside the stand and put on the storage shelf panels (11).

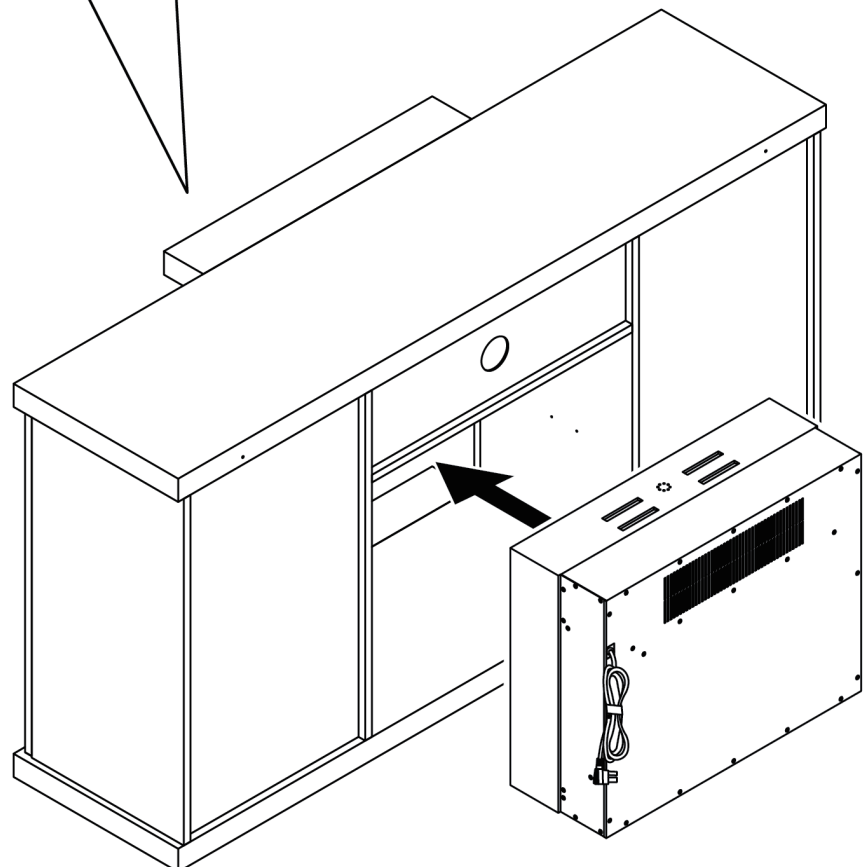
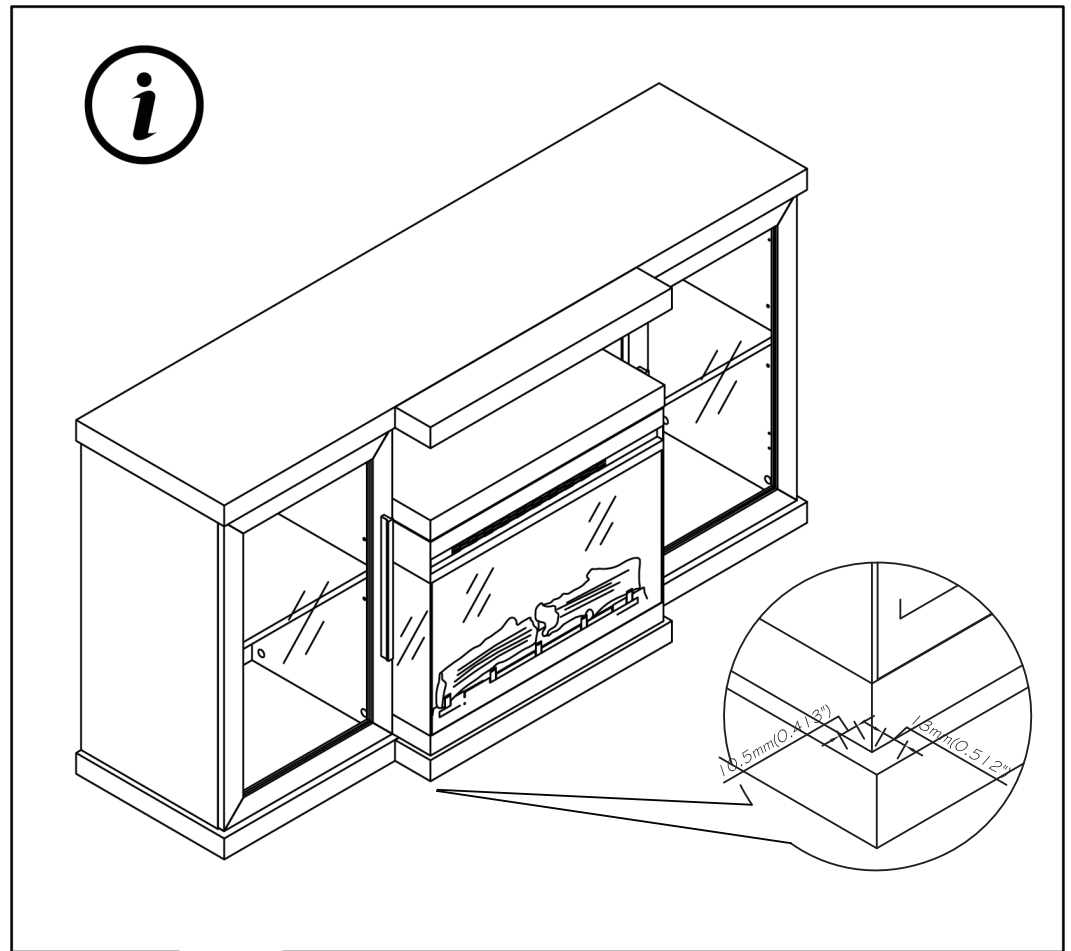


27

Remove screws from the back of your fireplace.

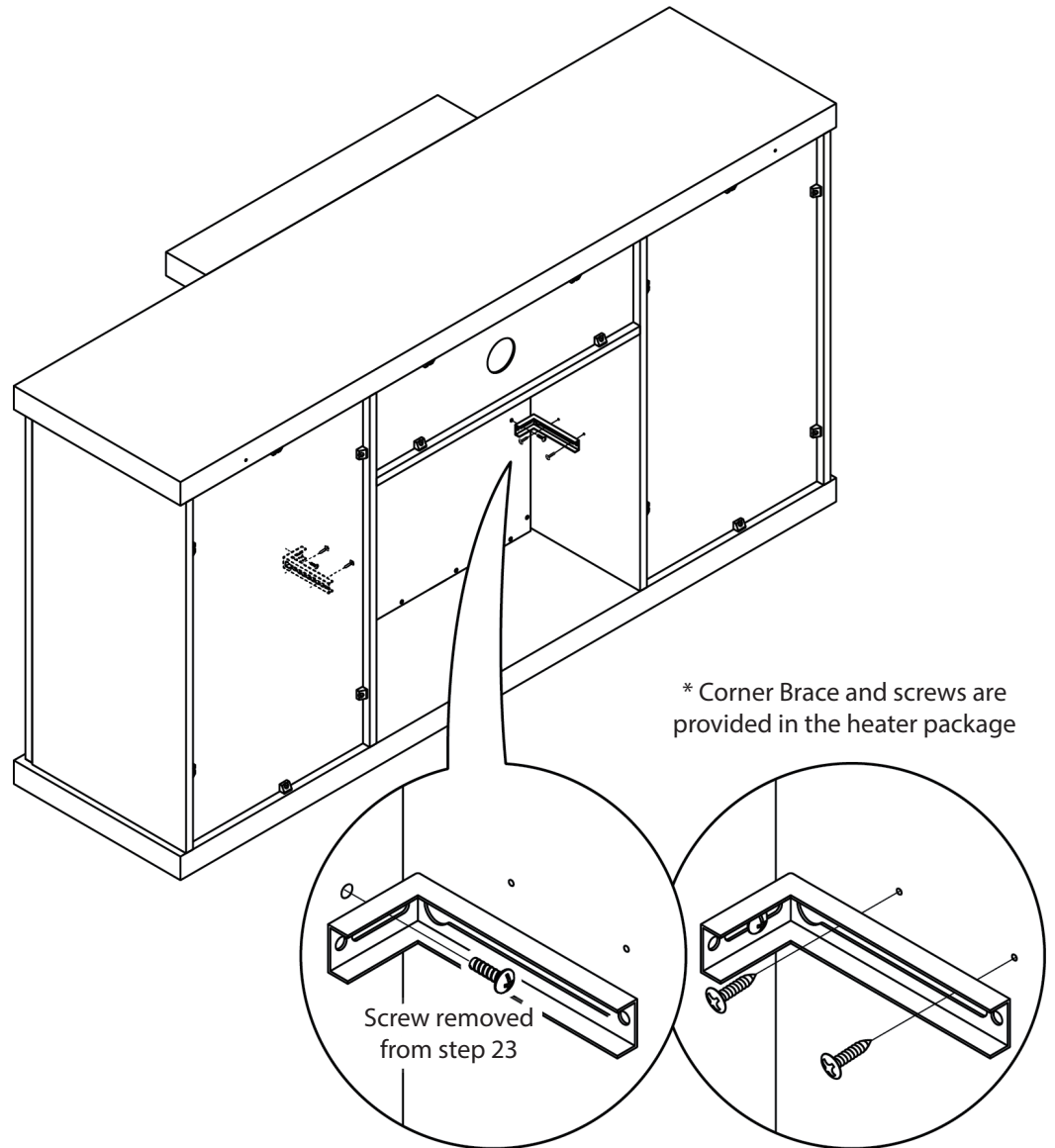


Slide the fireplace into the stand from behind. make sure the fireplace is centered inside the stand.



29

Secure the fireplace to the stand by installing 2 L-shaped corner braces to the back of the fireplace.



30

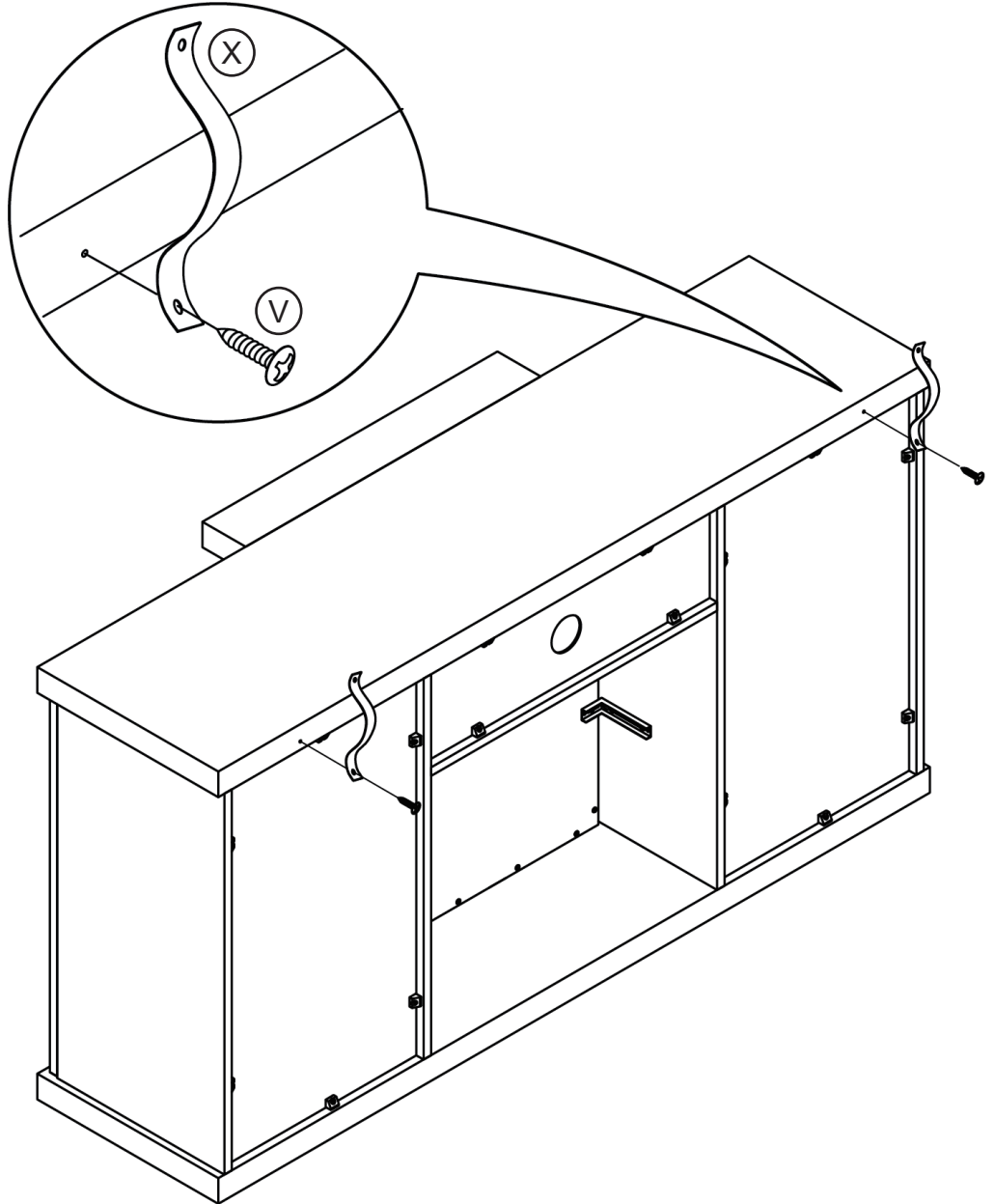
Attach anti-tipping straps behind the stand.



Ⓥ 2x

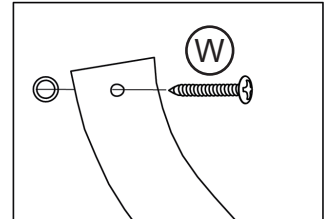
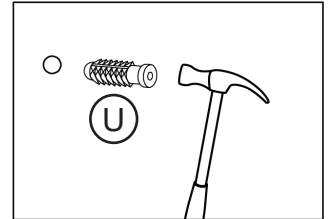
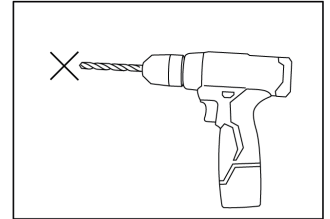
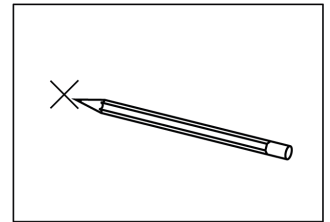
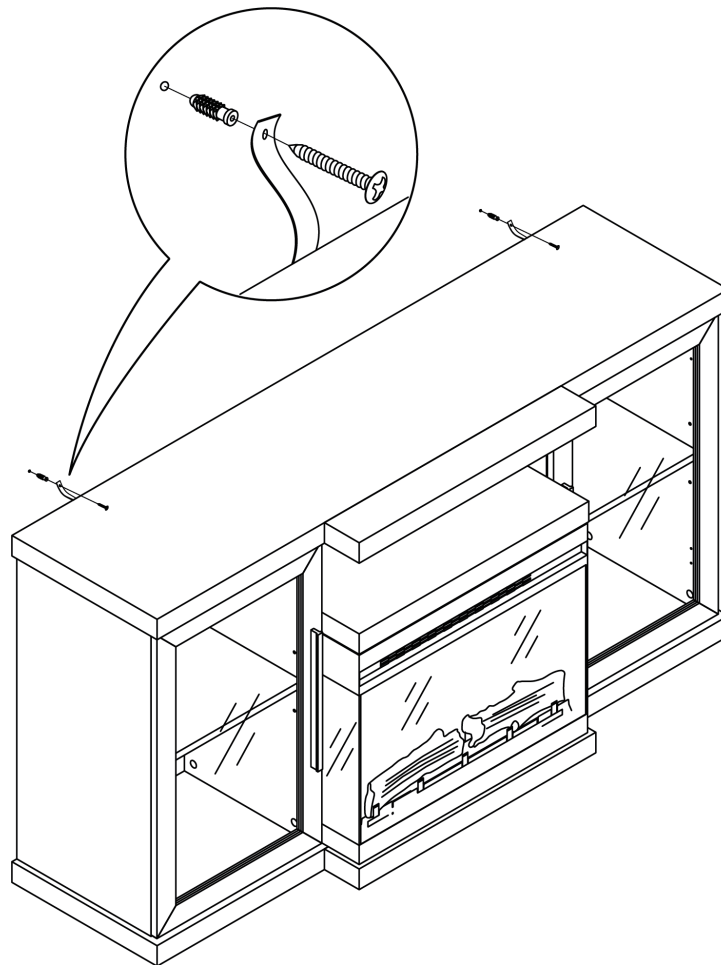
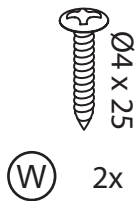
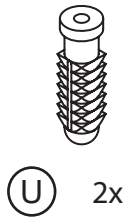


ⓧ 2x



31

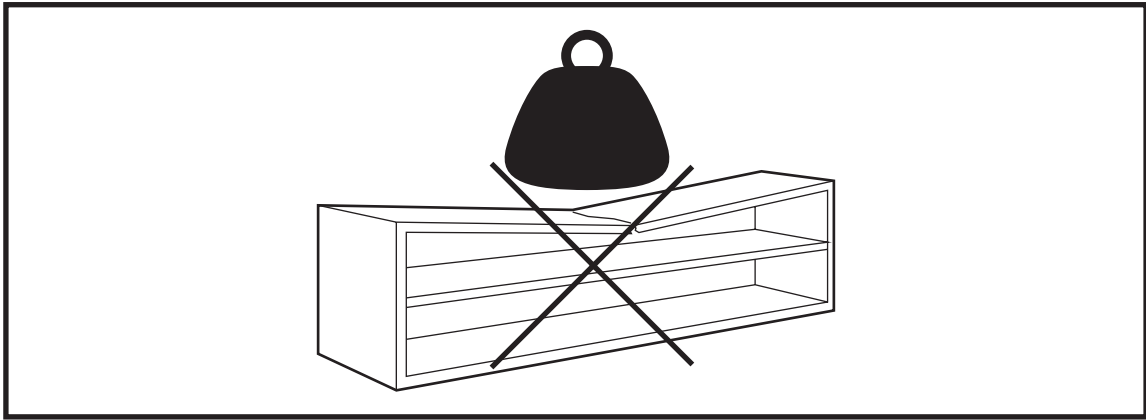
Affix the stand to a wall.



Furniture must permanently fixed to the wall stud with included anti-tipping device to prevent the furniture from tipping over.

- Mark the drill position on the wall with a pencil.
- Drill a small hole on the marked position.
- Insert a wall anchor into the drilled hole.
- Fixed the anti-tipping strap to the wall with provided screws.

YOU'RE FINISHED!

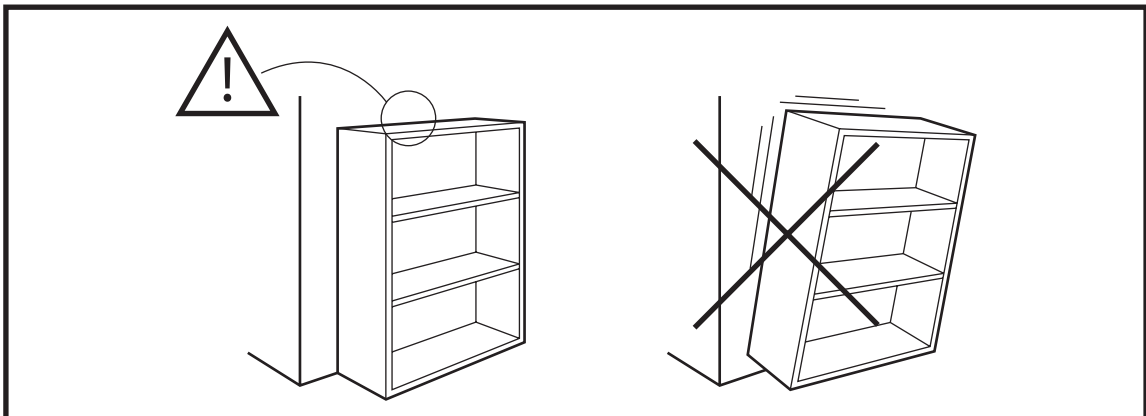


Warning

Only place items on top of the product if they meet the recommended size and weight limits.

Climbing on, stepping on, or placing overweighted objects on the product may cause property damage and/or injuries.

Items placed onto this product must be resting on a support surface without hanging over the edges.



Warning

Serious or fatal crushing injuries may occur if the furniture tip-over. Furniture must permanently affixed to the wall with included anti-tipping device in order to prevent the furniture from tipping over.

Different wall materials requires different types of wall anchors or screws. Use a suitable wall anchors or screws for your specific wall in order to secure the stability and load bearing capacity of the furniture. If you are uncertain about which type of device to use, please contact us or your local hardware store.

WARNING

For use with televisions weighing 70lbs (31.75kg) or less. Use with heavier televisions may result in instability, causing tip over resulting in death or serious injury.

Death or serious injury may occur when children climb on audio and/or video equipment furniture. A remote control or toys placed on the furnishing may encourage a child to climb on the furnishing and as a result the furnishing may tip over on to the child.

Relocating audio and/or video equipment to furniture not specifically designed to support audio and/or video equipment may result in death or serious injury due to the furnishing collapsing or over turning onto a child.

NOTICE

The recommended maximum width of the TV is 65 inches. Do not exceed the maximum load capacity.

This product is designed for flat panel TVs only.

BELLEZE®

FURNITURE CARE AND MAINTENANCE

Medium - Density Fiberboard

Thank you for your purchase. We want your item to last as long as possible. To ensure the product gives you years of longevity, please follow the recommendations in this care and maintenance guide.



MAINTENANCE

- Tighten all bolts and screws again within the first 2 weeks of assembly.
- Check the tightness of all bolts every 2 months and tighten them if necessary.



CLEANING

- Clean the surface of the MDF (medium - density fiberboard) with a lightly dampened cloth.
- A small amount of mild soap can be used if necessary.
- Dry the surface immediately after cleaning.

- ⚠ DO NOT use bleach or alcohol to clean the surface.
- ⚠ DO NOT apply wood treatment on parts made with MDF.

MDF will swell and distort when exposed to water damage. Make sure to dry the furniture immediately after cleaning.

⚠ WARNING

The manufacturer and seller are not responsible for any and all liability relating to personal injury, property damage or losses, whether direct, indirect, or incidental, resulting from the incorrect attachment, improper use, inadequate maintenance, unapproved modification or neglect of this product.

© All copyright of this document belongs to BELLEZE .
This document may not be printed, translated, reproduced, or distributed in whole or in
part without written permission from BELLEZE.

WARRANTY

BELLEZE products come with a 1-year warranty from the date of delivery.
Register your product on our website to enjoy our limited lifetime warranty!



AFTER-SALE SERVICE



Encounter any difficulties or missing parts?



Contact us at **1-800-682-6376** or email us at **support@belleze.com**



We will send you replacement.



Hassle free!
No need to worry about repackaging and sending your item back.

We hope you enjoy your new BELLEZE furniture!
Share your photos on Instagram and tag us: @bellezefurniture.

FOLLOW US:



@bellezefurniture

CONTACT INFO:

support@belleze.com
1-800-682-6376

BELLEZE®