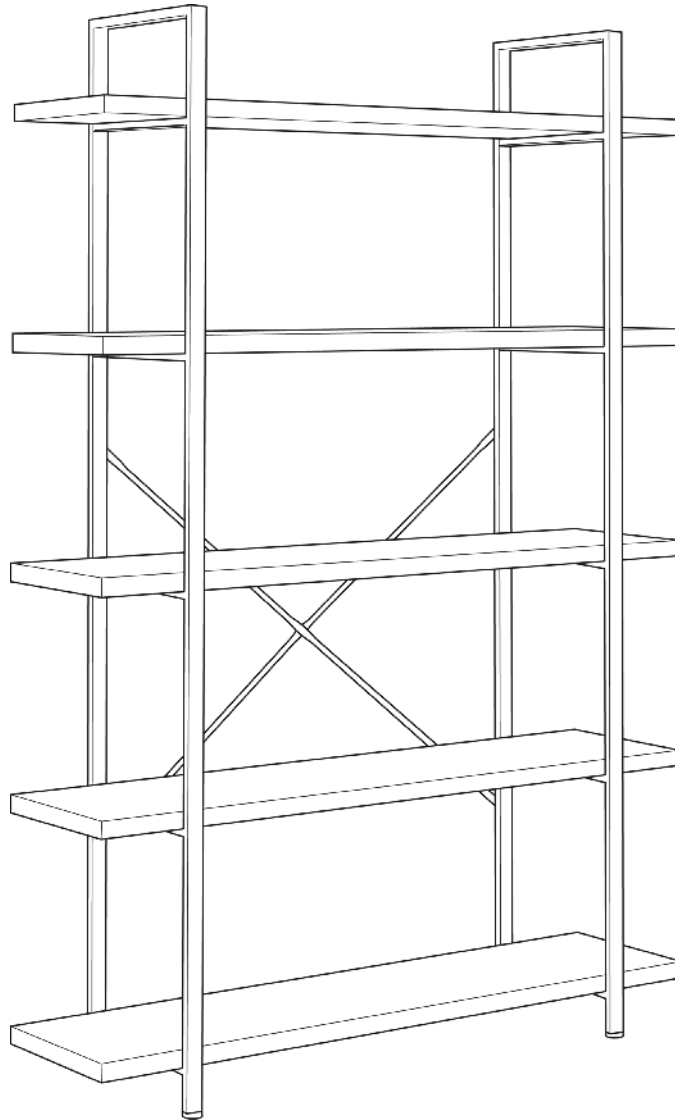


# Hazel 5 Tier Bookshelf



**BELLEZE**<sup>®</sup>

**FOLLOW US:**

**CONTACT INFO:**

**ITEM NO. 014-HG-44805**



@bellezefurniture

support@belleze.com  
1-800-682-6376

The instruction booklet contains **IMPORTANT** safety information. Please read it in full and keep it for future reference.

[www.belleze.com](http://www.belleze.com)

Scan this QR Code  
to view our online tutorial

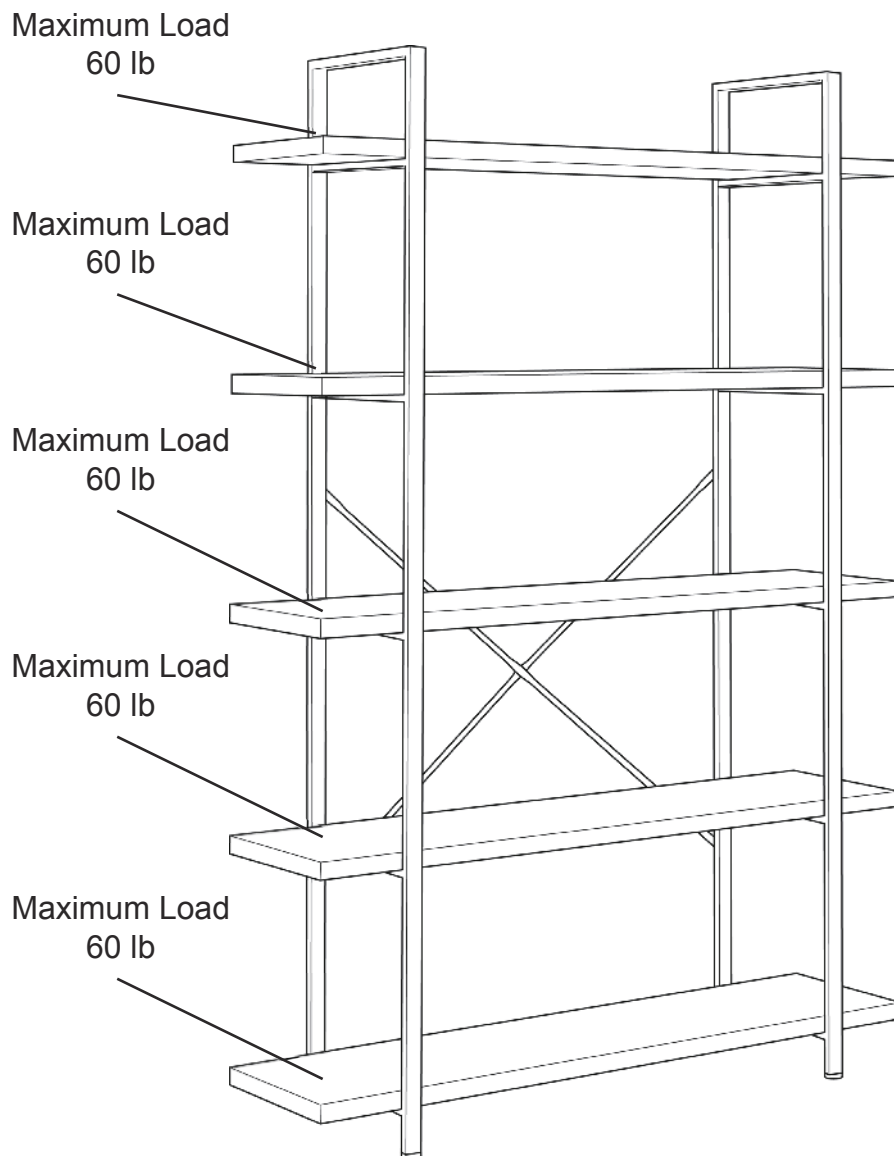


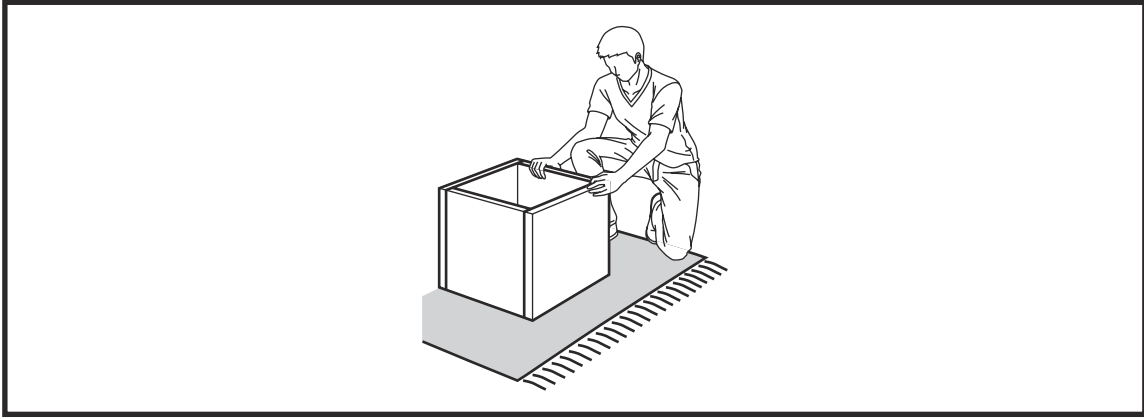
Estimated time for assembly:

**30 mins**



Weight limitations are as follows:

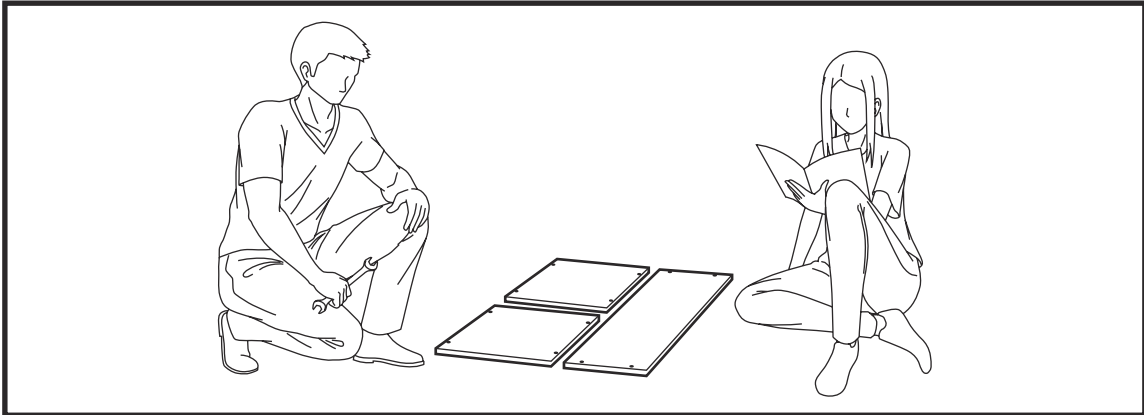




Assemble the furniture on an empty carton, carpet, or rug to prevent scratches or damage.

For safety, please keep pets and children away from the assembly area.

Ensure the product is fully assembled before use. If you are missing any hardware or products, do not use it until you have restored the missing parts.



This furniture requires 2 people for assembly.

Read this instruction manual prior to assembly to familiarize yourself with the various steps.

Lay out all components and hardware separately on a flat surface and make sure that no parts are missing or damaged before assembly. Do not destroy or discard any packaging until you are certain that you have all the necessary parts for assembly.

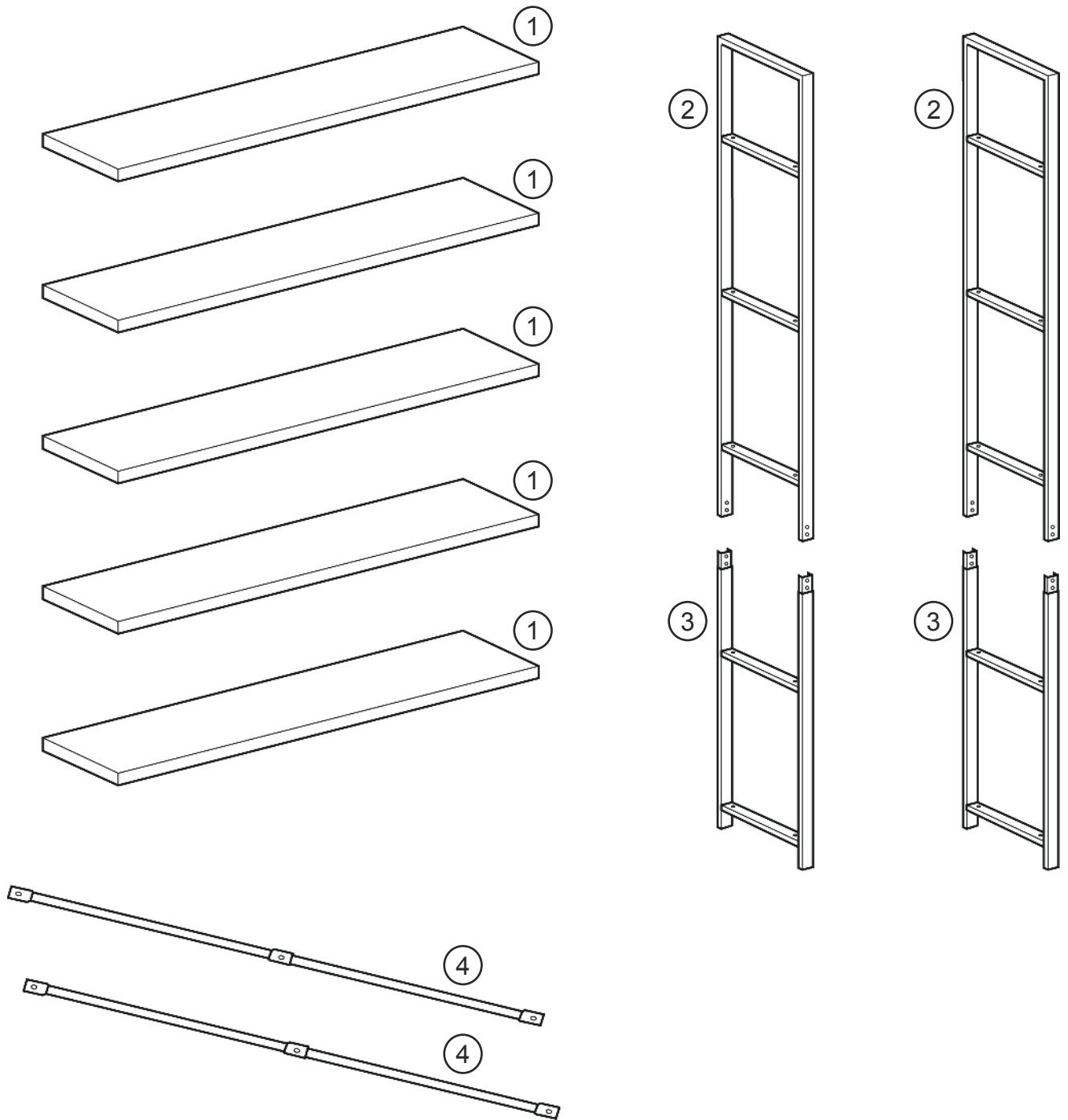
Hand tight all hardware and careful not to over tighten to avoid damaging the product.

## **CAUTION**

There are small components used in the construction of this product. Loose items should be kept away from pets and children to avoid a choking hazard.

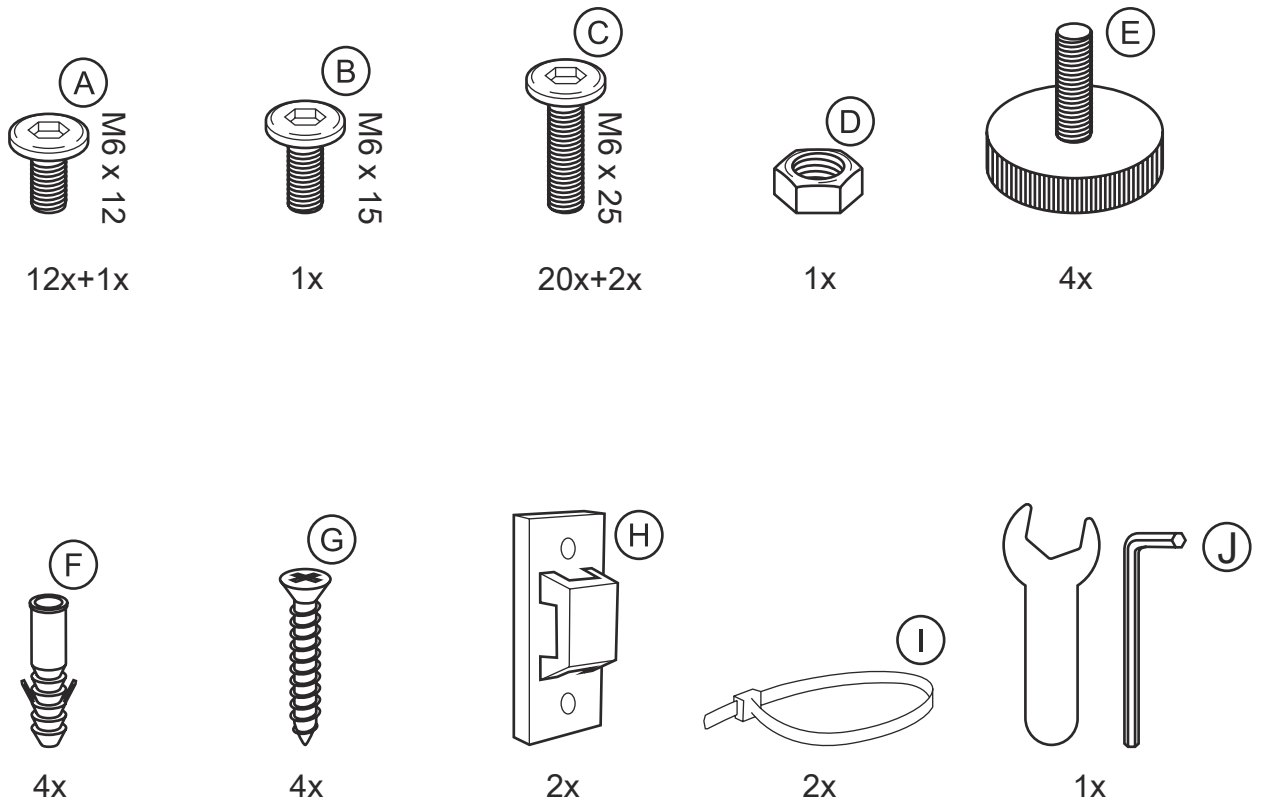
Keep all plastic bags and packaging film away from pets and children to avoid suffocation.

# PACKAGE CONTENTS



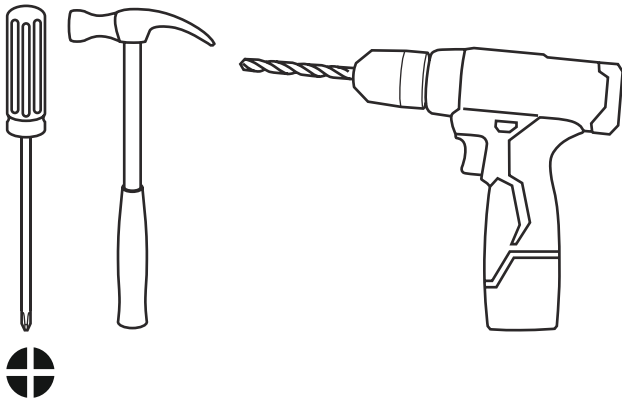
CODE	DESCRIPTION	QTY
1	Storage Panel	5
2	Upper Leg Frame	2
3	Lower Leg Frame	2
4	Crossbar	2

# PACKAGE CONTENTS



Install all hardware perpendicular to the opening.

Required tools for assembly (Not included)



**1**

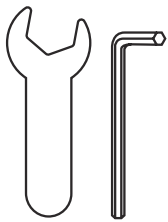
Assemble the crossbars (4) into a "X" shape.



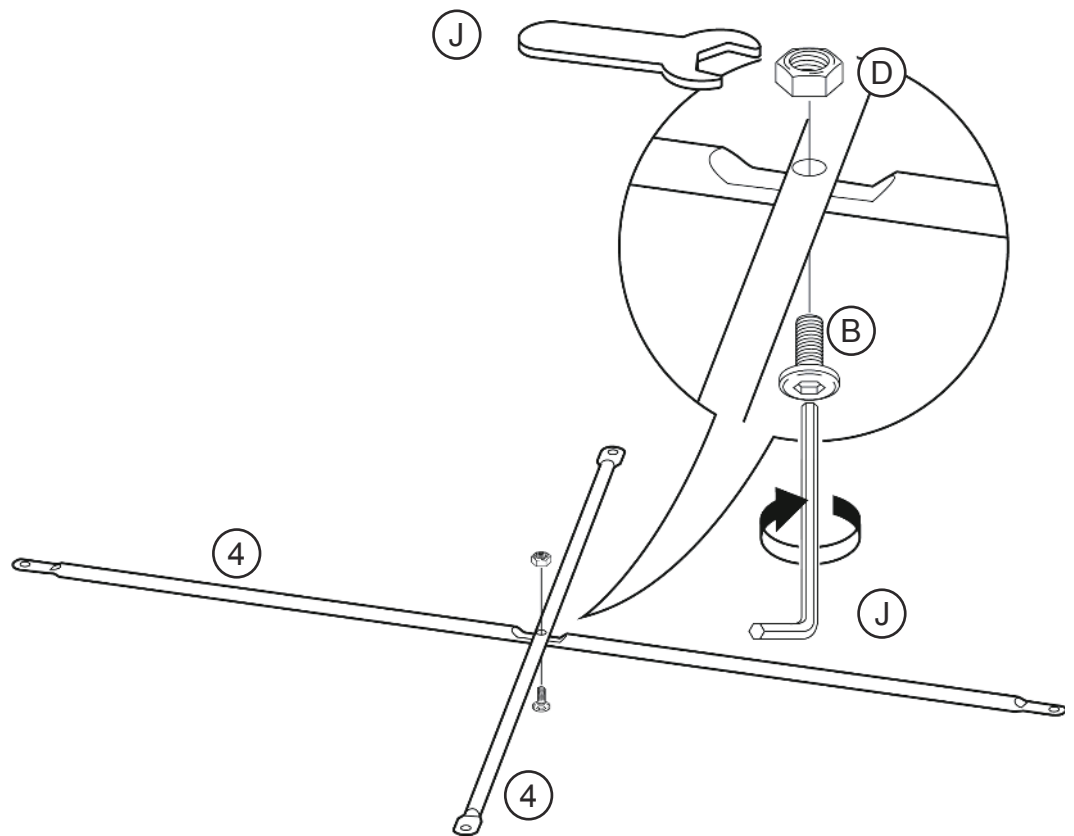
(B) 1x



(D) 1x

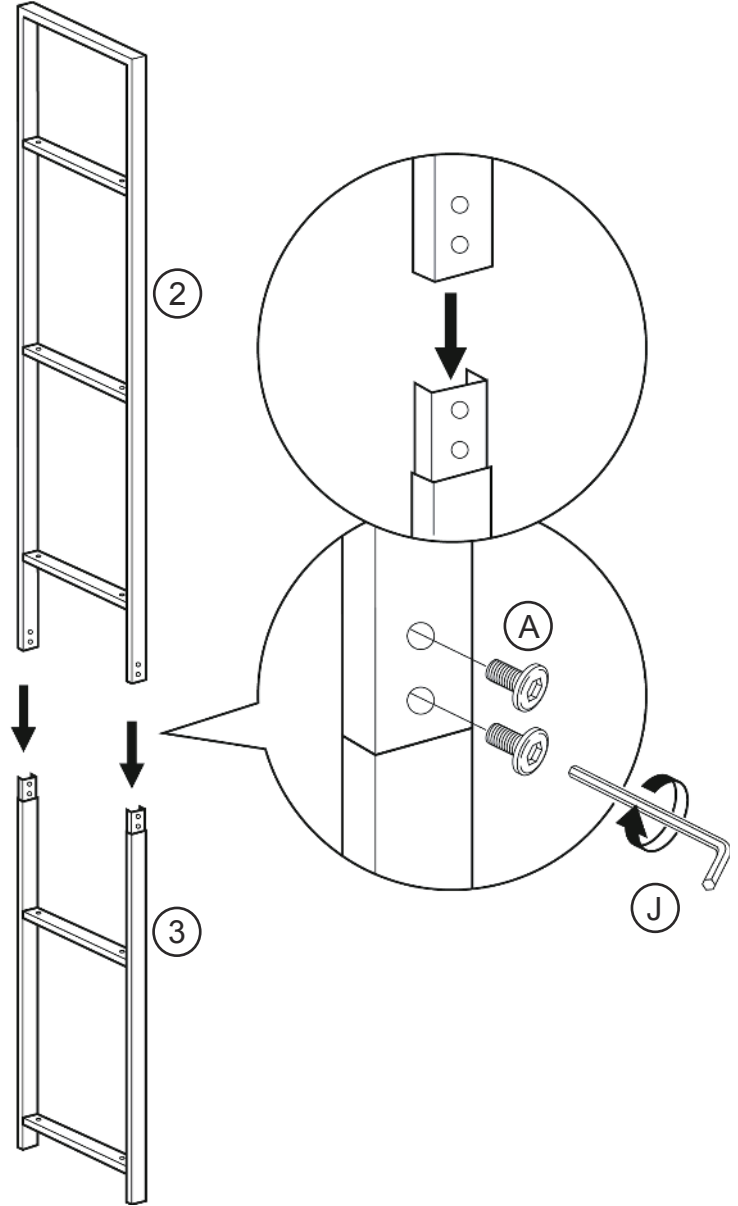
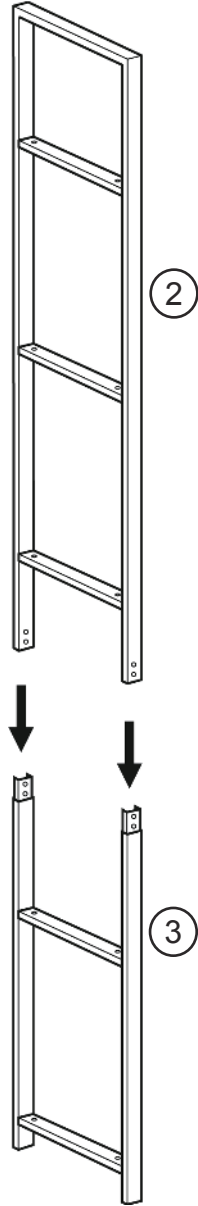
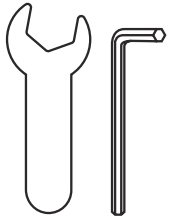
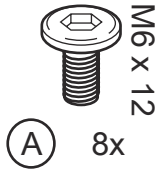


(J)



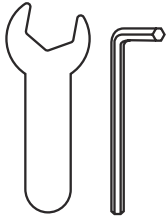
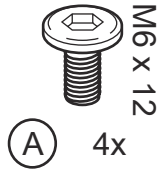
# 2

Assemble the upper and lower leg frames together(2,3)

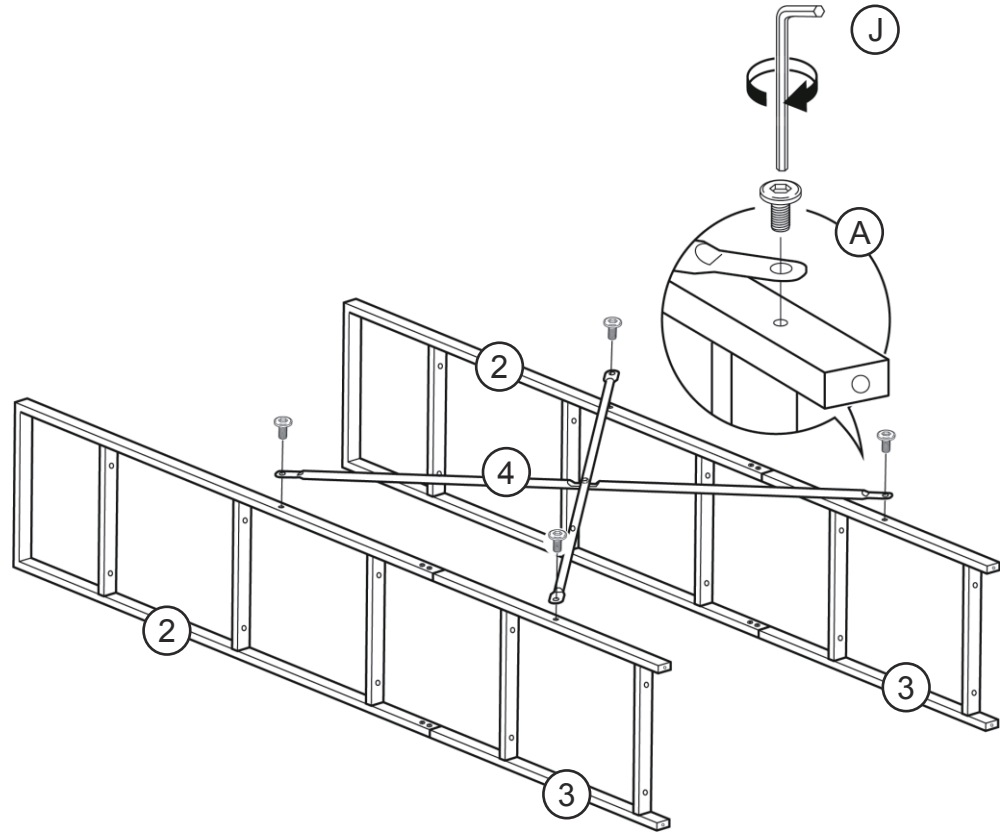


# 3

Assemble the crossbars (4) across the upper and lowerframes (2, 3).

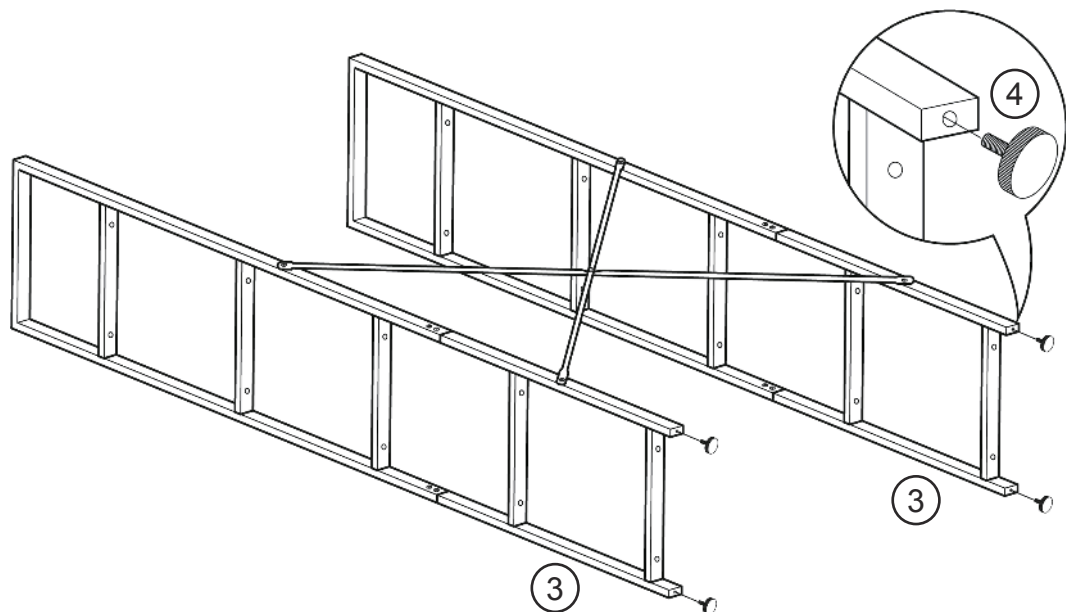
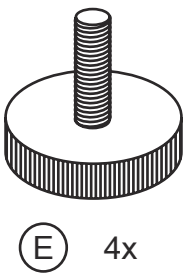


J



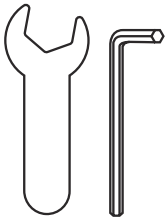
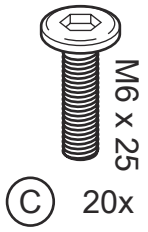
# 4

Attach leg levelers under the leg frames.

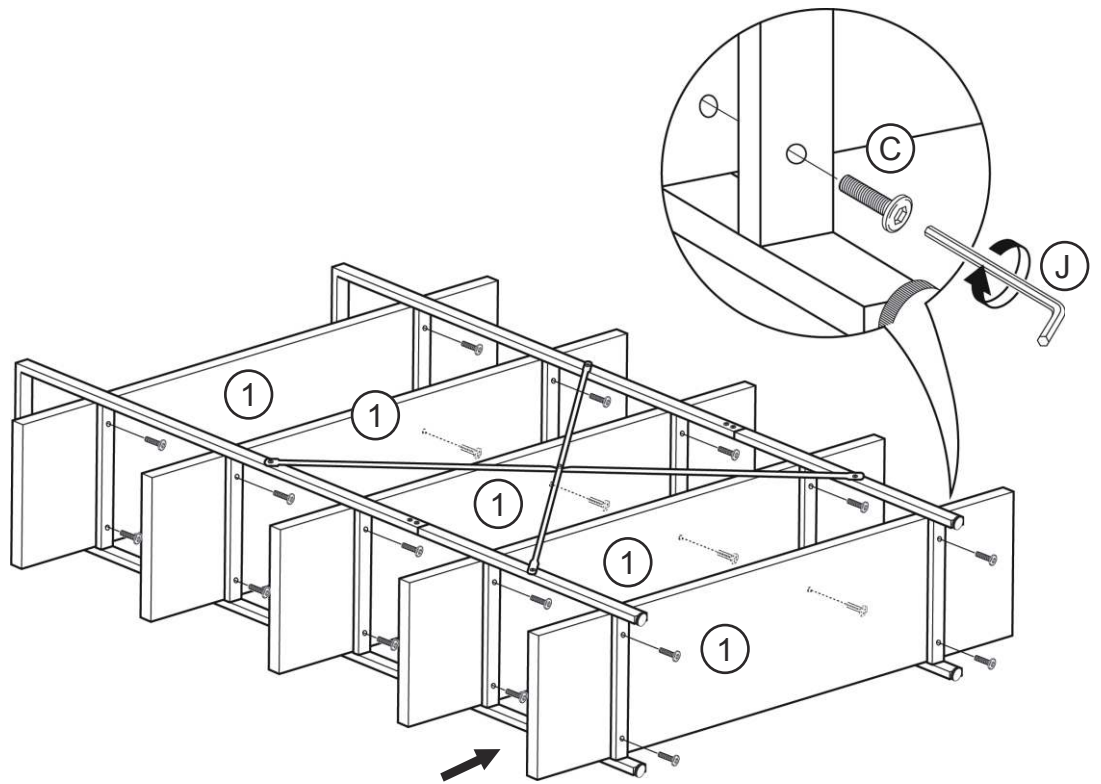


# 5

Assemble a storage panel (1) on the bottom most slot of the leg frame.



J



# 6

Affix the shelf on a wall.



(F) 4x



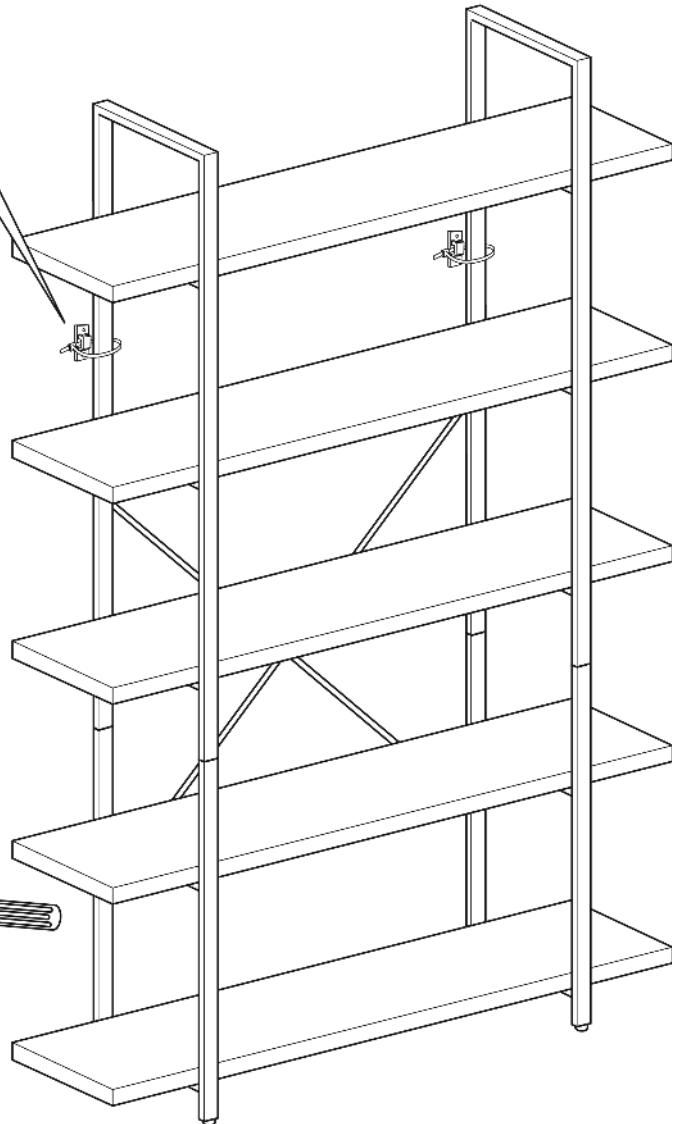
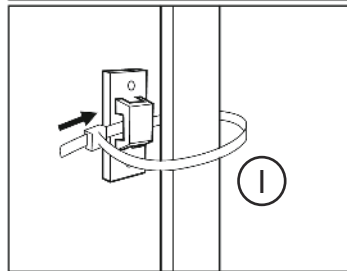
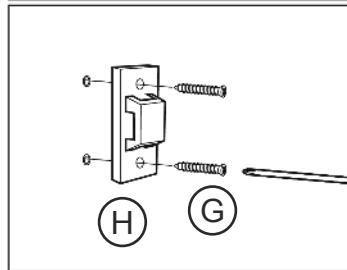
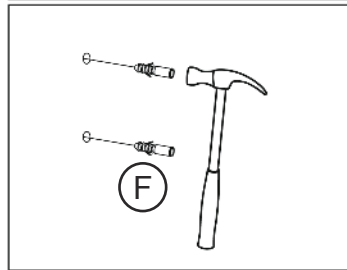
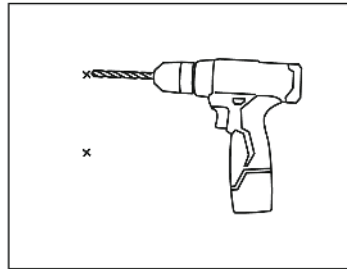
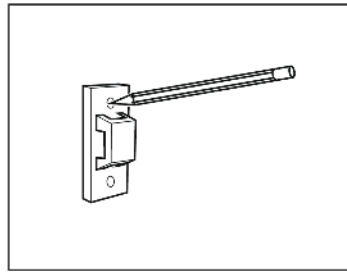
(G) 4x



(H) 2x



(I) 2x

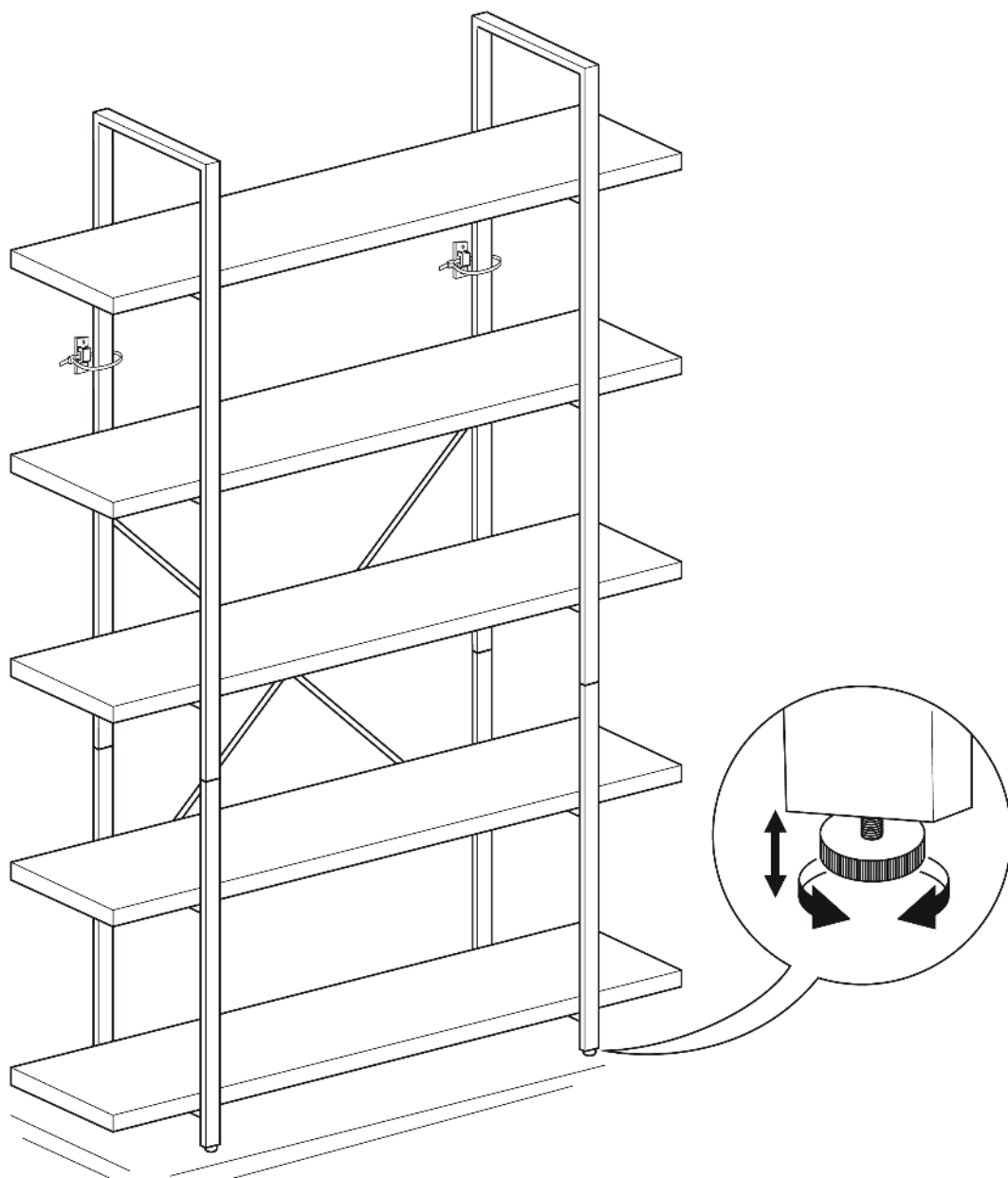


Furniture must permanently fixed to the wall stud with included anti-tipping device to prevent the furniture from tipping over.

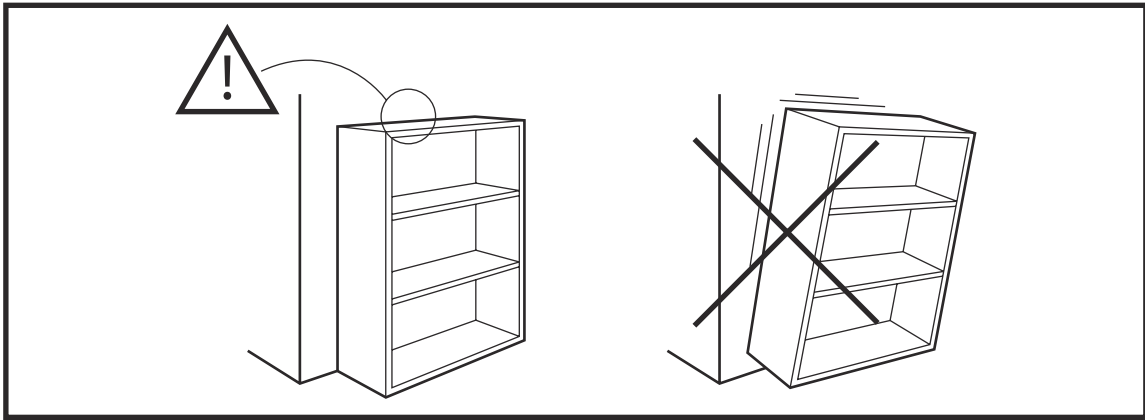
- Mark the drill position on the wall with a pencil.
- Drill a small hole on the marked position.
- Insert a wall anchor into the drilled hole.
- Fixed the anti-tipping strap to the wall with provided screws.

# 7

Level the shelf on the ground, adjust the leg leveler if necessary.



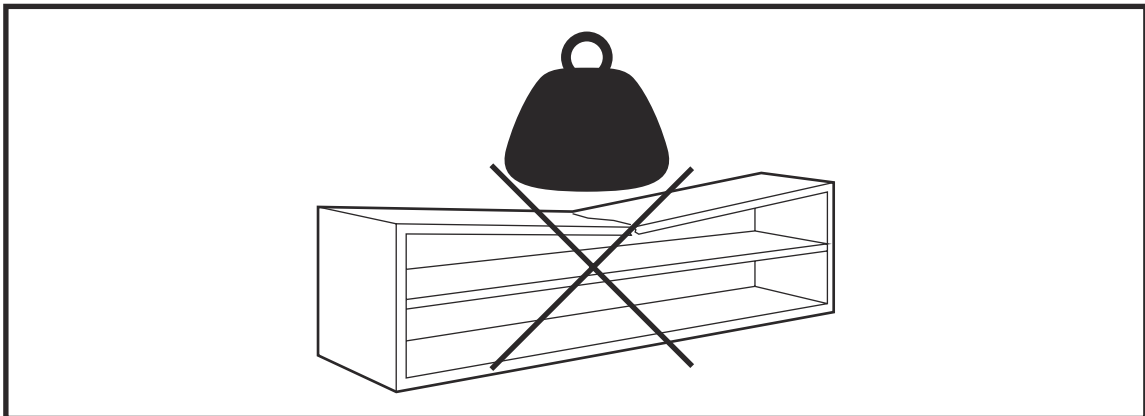
## YOU'RE FINISHED!



## Warning

Serious or fatal crushing injuries may occur if the furniture tip-over. Furniture must permanently affixed to the wall with included anti-tipping device in order to prevent the furniture from tipping over.

Different wall materials requires different types of wall anchors or screws. Use a suitable wall anchors or screws for your specific wall in order to secure the stability and load bearing capacity of the furniture. If you are uncertain about which type of device to use, please contact us or your local hardware store.



## Warning

Only place items on top of the product if they meet the recommended size and weight limits.

Climbing on, stepping on, or placing overweighted objects on the product may cause property damage and/or injuries.

Items placed onto this product must be resting on a support surface without hanging over the edges.

# BELLEZE®

## FURNITURE CARE AND MAINTENANCE

Medium - Density Fiberboard

Thank you for your purchase. We want your item to last as long as possible. To ensure the product gives you years of longevity, please follow the recommendations in this care and maintenance guide.



### MAINTENANCE

- Tighten all bolts and screws again within the first 2 weeks of assembly.
- Check the tightness of all bolts every 2 months and tighten them if necessary.



### CLEANING

- Clean the surface of the MDF (medium - density fiberboard) with a lightly dampened cloth.
- A small amount of mild soap can be used if necessary.
- Dry the surface immediately after cleaning.

- ⚠ DO NOT use bleach or alcohol to clean the surface.
- ⚠ DO NOT apply wood treatment on parts made with MDF.

MDF will swell and distort when exposed to water damage. Make sure to dry the furniture immediately after cleaning.

### ⚠ WARNING

The manufacturer and seller are not responsible for any and all liability relating to personal injury, property damage or losses, whether direct, indirect, or incidental, resulting from the incorrect attachment, improper use, inadequate maintenance, unapproved modification or neglect of this product.



© All copyright of this document belongs to BELLEZE.  
This document may not be printed, translated, reproduced, or distributed in whole or in part without written permission from BELLEZE.

# WARRANTY

BELLEZE products come with a 1-year warranty from the date of delivery.  
**Register your product on our website to enjoy our limited lifetime warranty!**



## AFTER-SALE SERVICE



Encounter any difficulties or missing parts?



Contact us at **1-800-682-6376** or email us at **support@belleze.com**



We will send you replacement.



Hassle free!  
No need to worry about repackaging and sending your item back.

**We hope you enjoy your new BELLEZE furniture!**  
**Share your photos on Instagram and tag us: @bellezefurniture.**

**FOLLOW US:**



@bellezefurniture

**CONTACT INFO:**

support@belleze.com  
1-800-682-6376

**BELLEZE®**