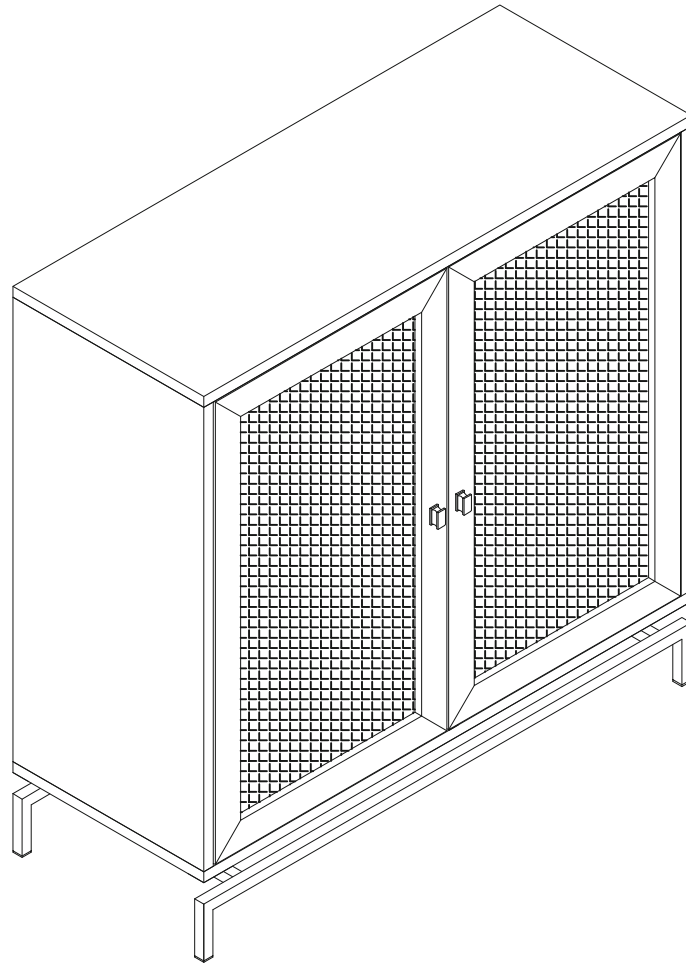


Liam Tall Cabinet



BELLEZE[®]

FOLLOW US:



@bellezefurniture

CONTACT INFO:

support@belleze.com
1-800-682-6376

ITEM NO. 014-HG-42003

The instruction booklet contains **IMPORTANT** safety information. Please read it in full and keep it for future reference.

www.belleze.com

Scan this QR Code
to view our online tutorial

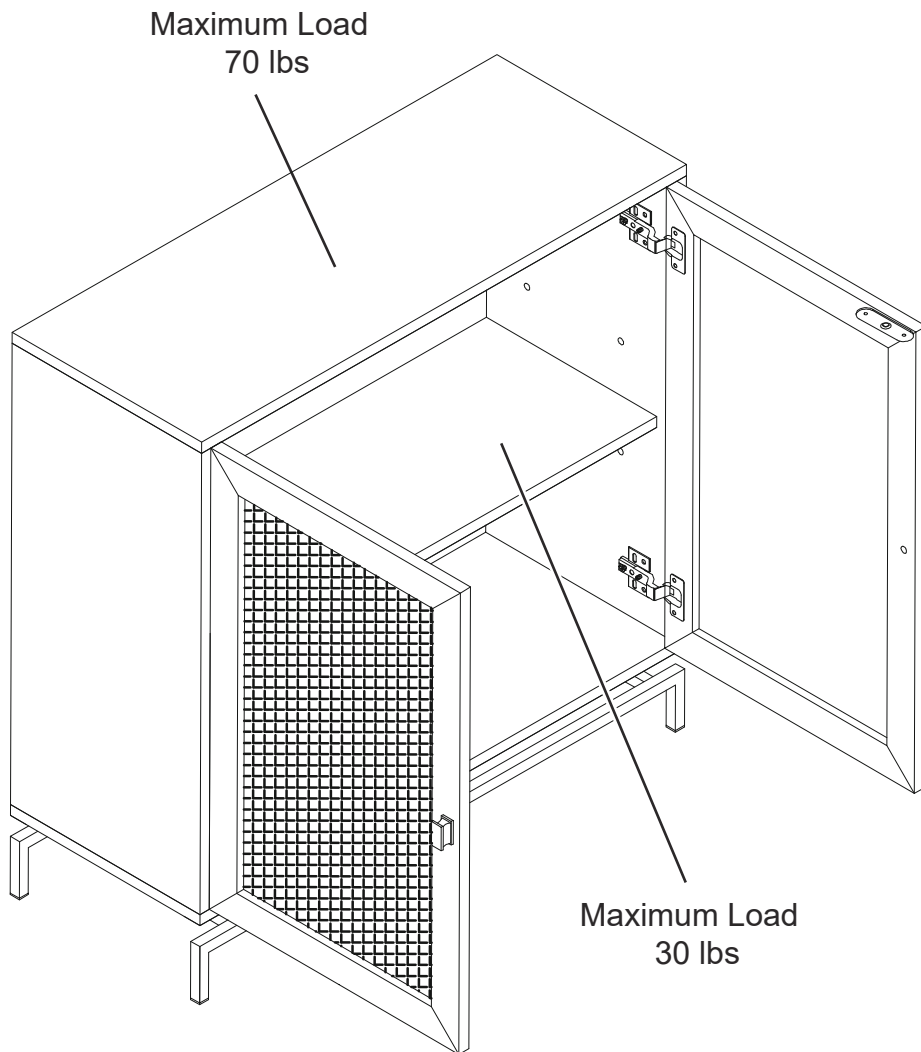


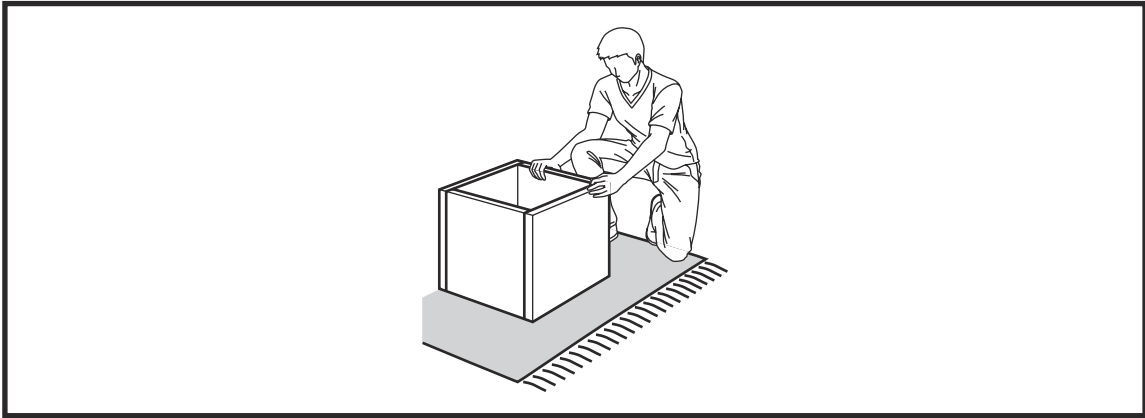
Estimated time for assembly:

180 mins



Weight limitations are as follows:

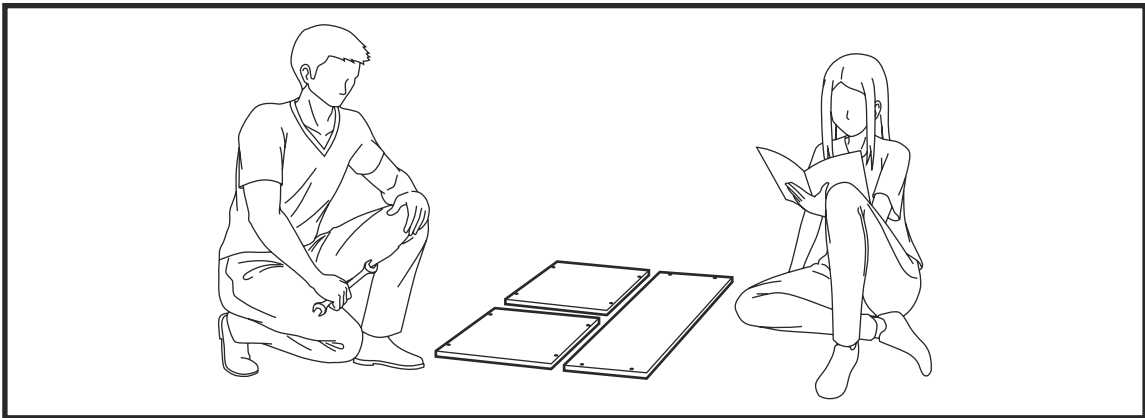




Assemble the furniture on an empty carton, carpet, or rug to prevent scratches or damage.

For safety, please keep pets and children away from the assembly area.

Ensure the product is fully assembled before use. If you are missing any hardware or products, do not use it until you have restored the missing parts.



This furniture requires 2 people for assembly.

Read this instruction manual prior to assembly to familiarize yourself with the various steps.

Lay out all components and hardware separately on a flat surface and make sure that no parts are missing or damaged before assembly. Do not destroy or discard any packaging until you are certain that you have all the necessary parts for assembly.

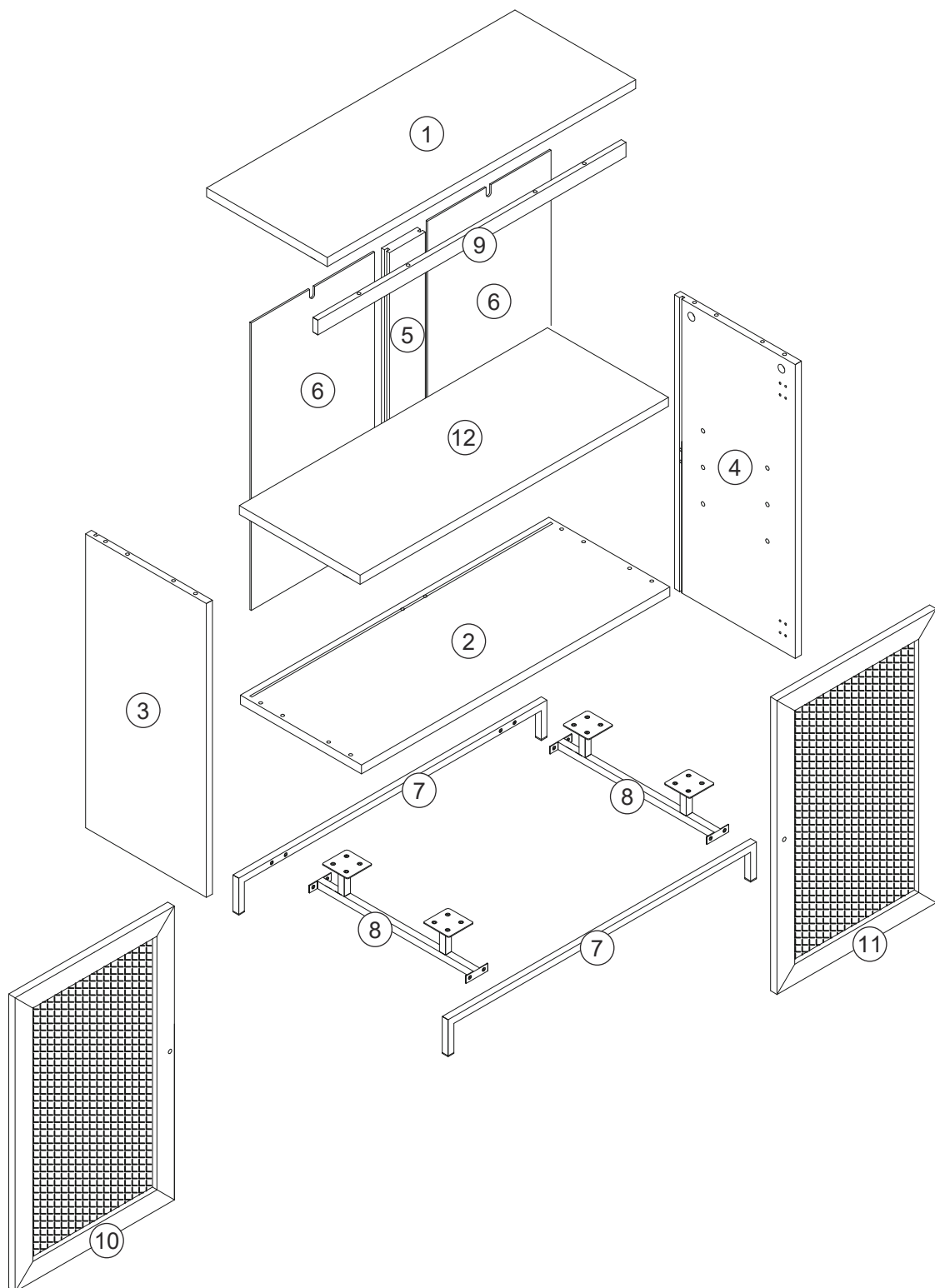
Hand tight all hardware and careful not to over tighten to avoid damaging the product.

CAUTION

There are small components used in the construction of this product. Loose items should be kept away from pets and children to avoid a choking hazard.

Keep all plastic bags and packaging film away from pets and children to avoid suffocation.

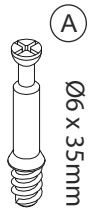
PACKAGE CONTENTS



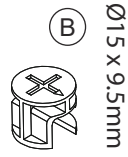
PACKAGE CONTENTS

CODE	DESCRIPTION	QTY
1	Top Panel	2
2	Bottom Panel	2
3	Left Cabinet Panel	2
4	Right Cabinet Panel	2
5	Back Support Panel	2
6	Back Panel	4
7	Metal leg	4
8	Base Metal Crossbar	4
9	Crossbar Panel	2
10	Left Cabinet Door	2
11	Right Cabinet Door	2
12	Adjustable Storage Shelf Panel	2

PACKAGE CONTENTS



16x+1x



16x+1x



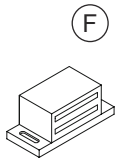
20x + 2x



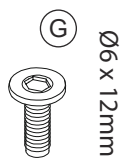
6x



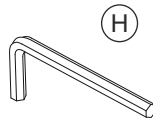
48x + 4x



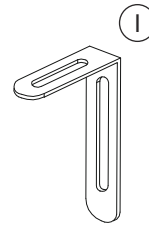
2x



48x + 4x



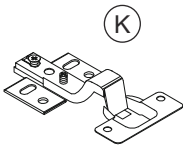
1x



4x



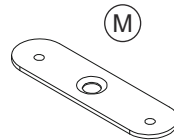
4x



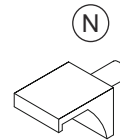
8x



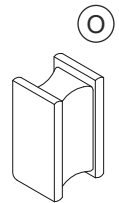
8x



4x



8x



4x



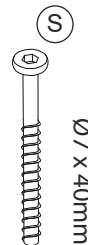
4x



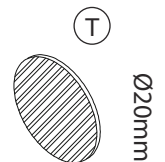
16x+1x



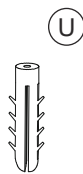
16x+1x



8x



16x+1x



4x

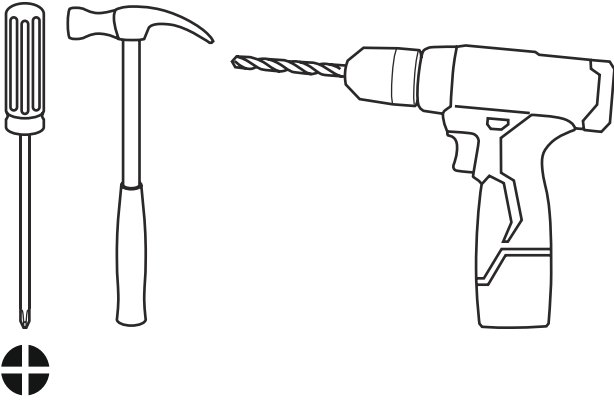


4x

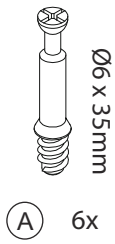


Install all hardware perpendicular to the opening.

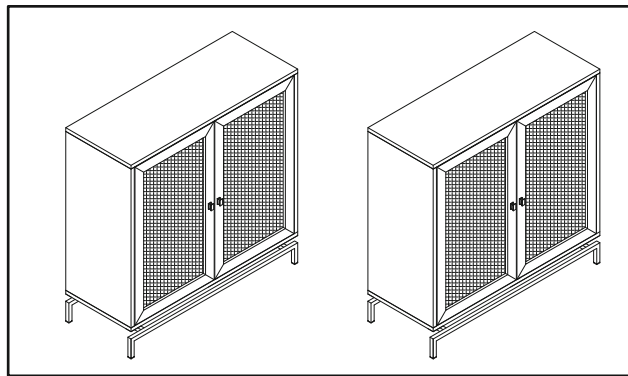
Required tools for assembly (Not included)



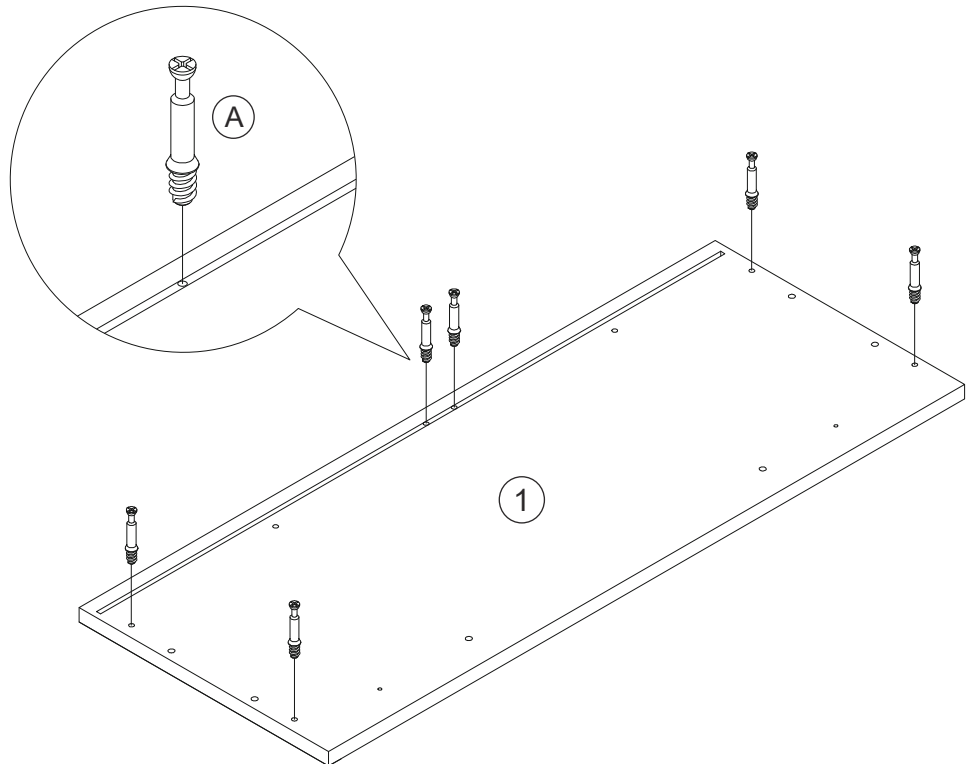
1



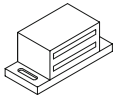
Attach cam bolts to the underside of the top panel (1).



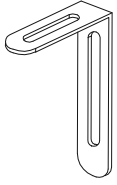
Assemble 2 cabinets in total.



2



(F) 1x



(I) 2x

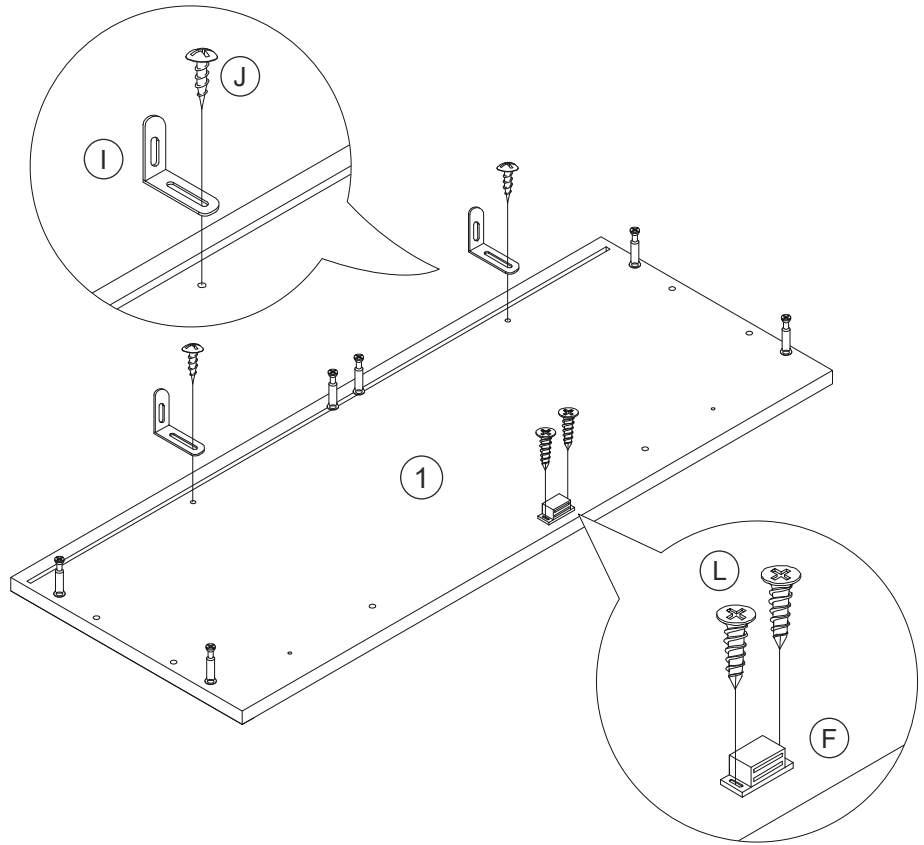


(J) 2x



(L) 2x

Attach the door catch and wall pins to the underside of the top panel (1).

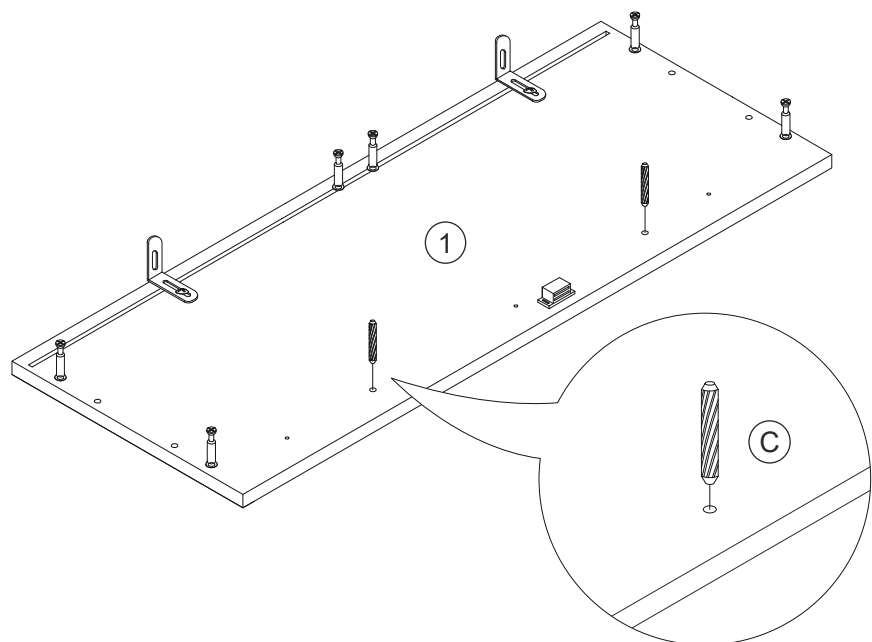


3



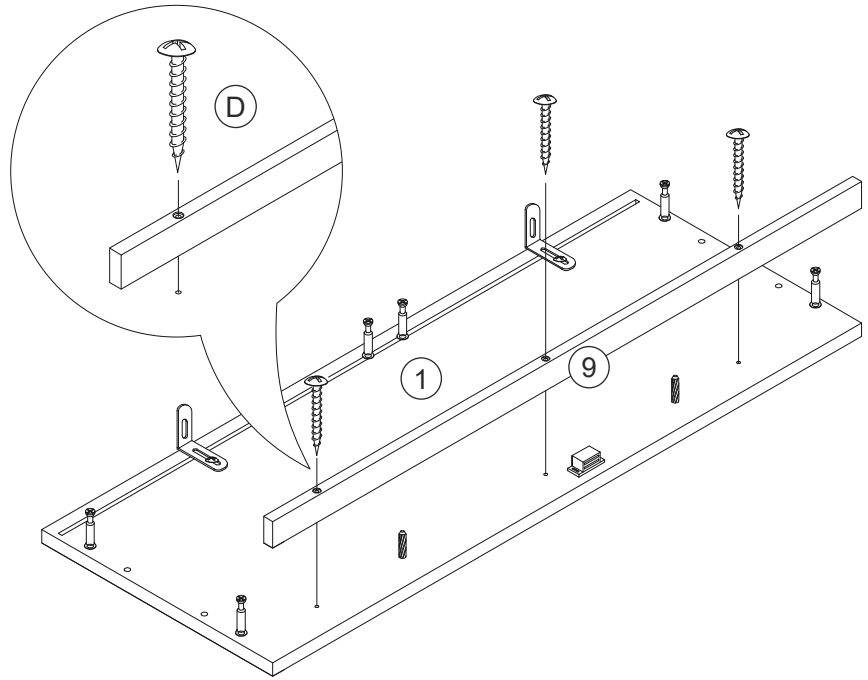
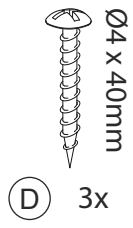
(C) 2x

Insert wood dowels to the underside of the top panel (1).



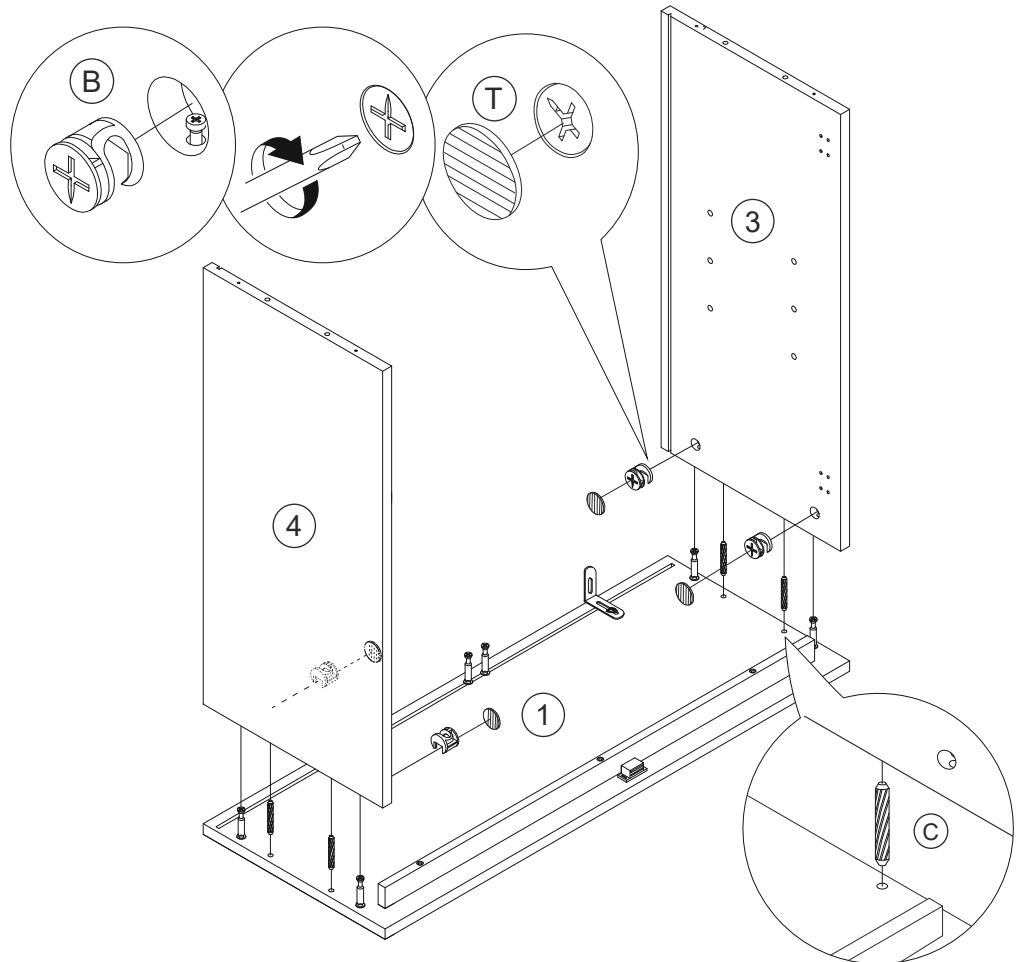
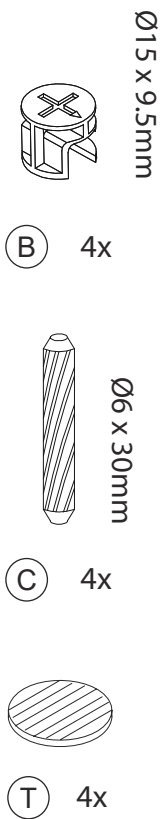
4

Assemble the crossbar panel (9) to the underside of the top panel (1).

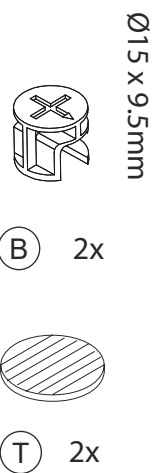


5

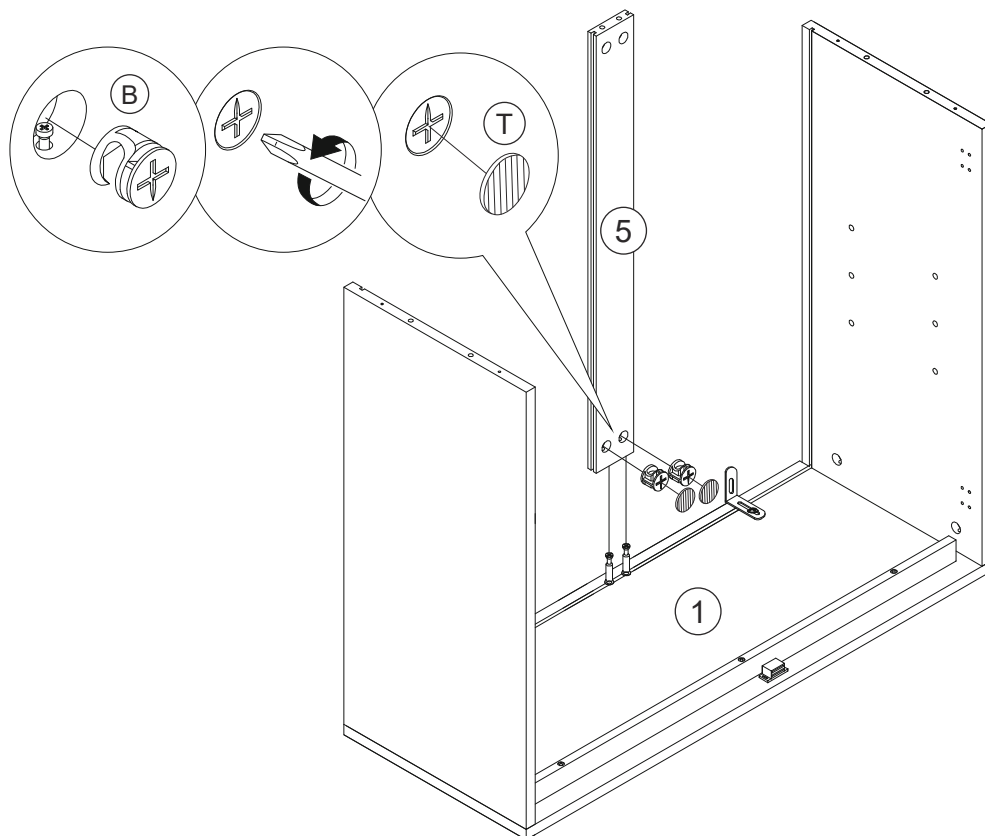
Assemble the left and right cabinet panels (3,4) to the underside of the top panel (1).



6



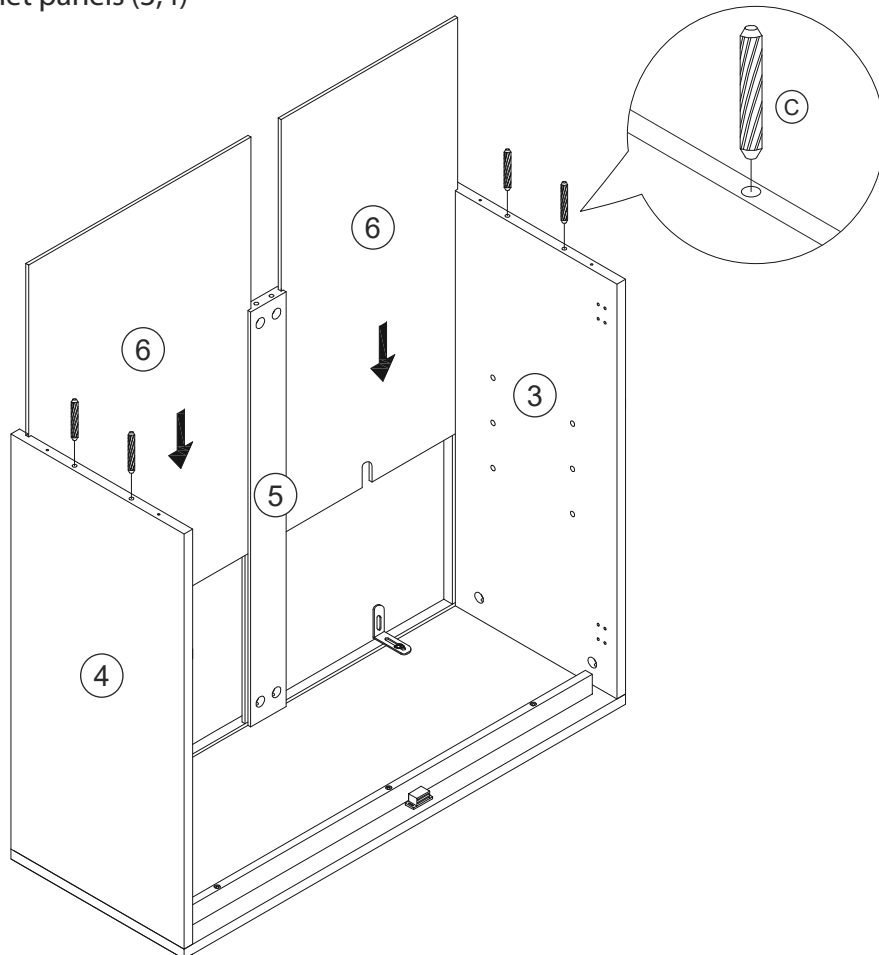
Assemble the back support panel (5) to underside of the top panel (1).



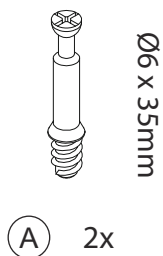
7



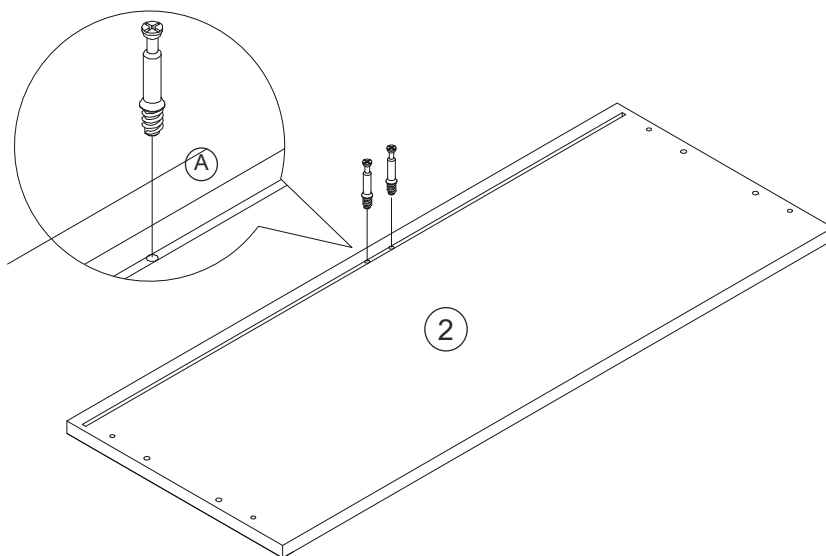
Slide in the back panels (6) to the back support panel (5) and insert wood dowels to the cabinet panels (3,4)



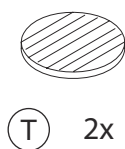
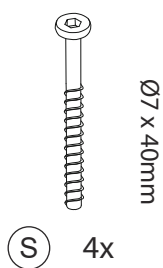
8



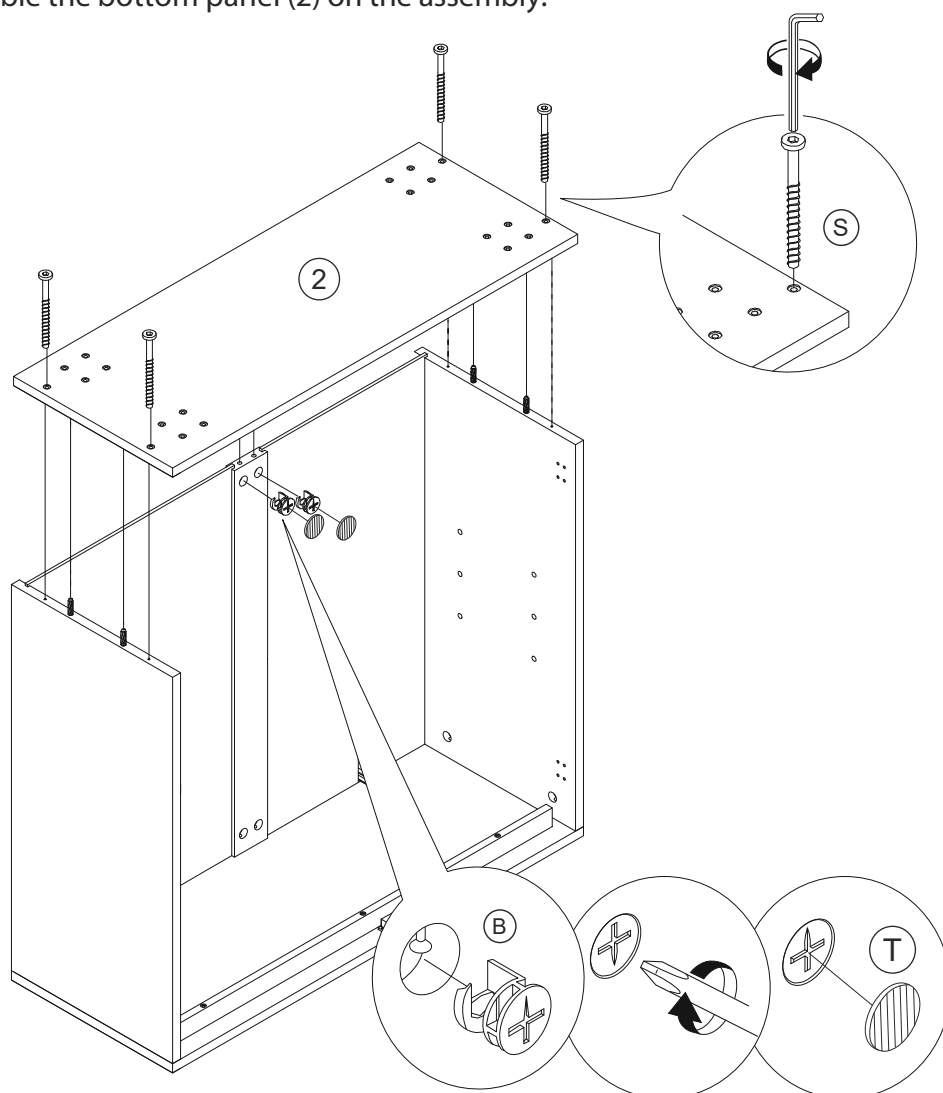
Attach cam bolts to the top of the bottom panel (2).



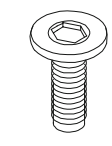
9



Assemble the bottom panel (2) on the assembly.



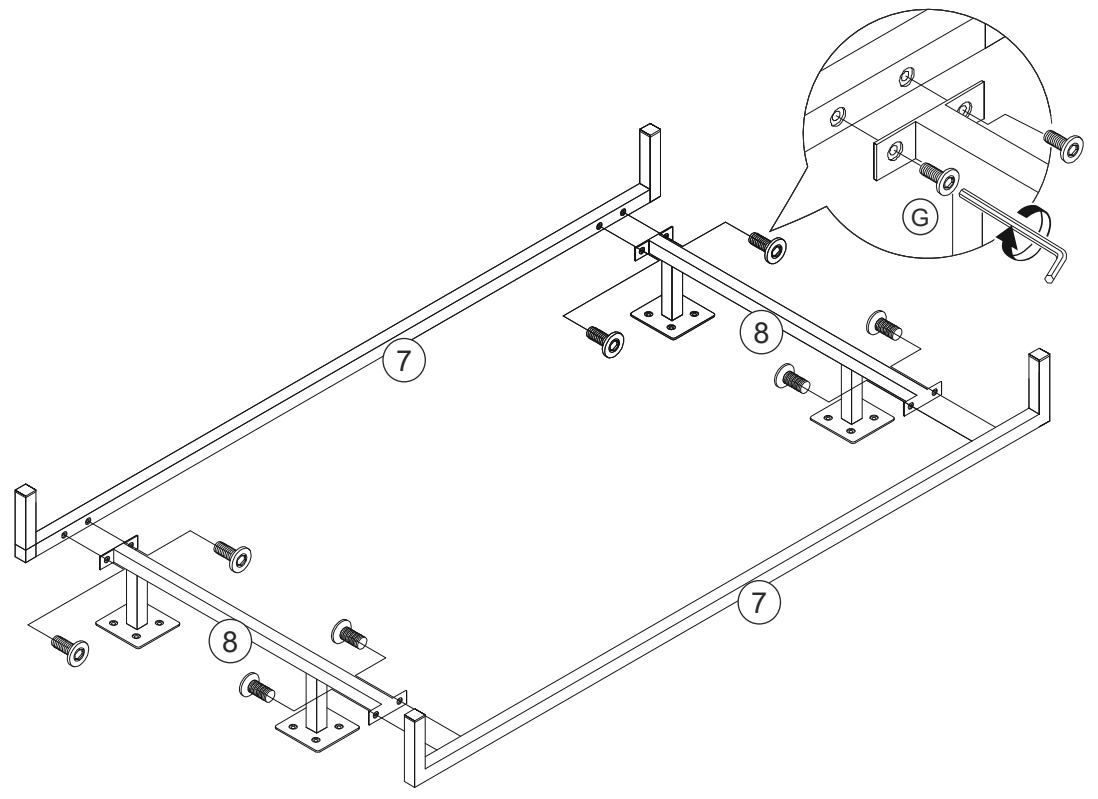
10



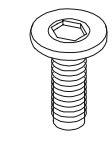
Ø6 x 12mm

G 8x

Attach the base metal crossbars (8) between the left and right metal legs (7).



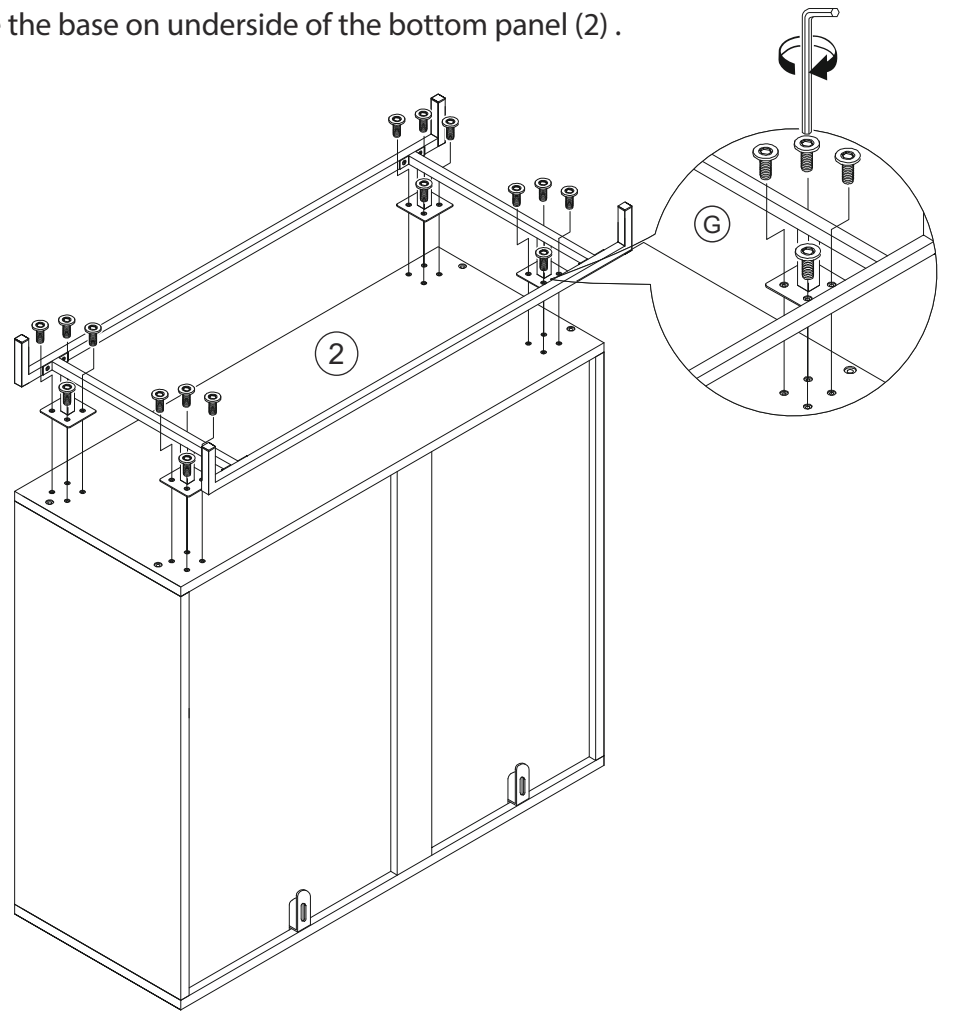
11



Ø6 x 12mm

G 16x

Assemble the base on underside of the bottom panel (2).



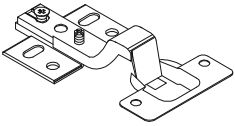
12

Attach hinges to the cabinet doors (10,11).

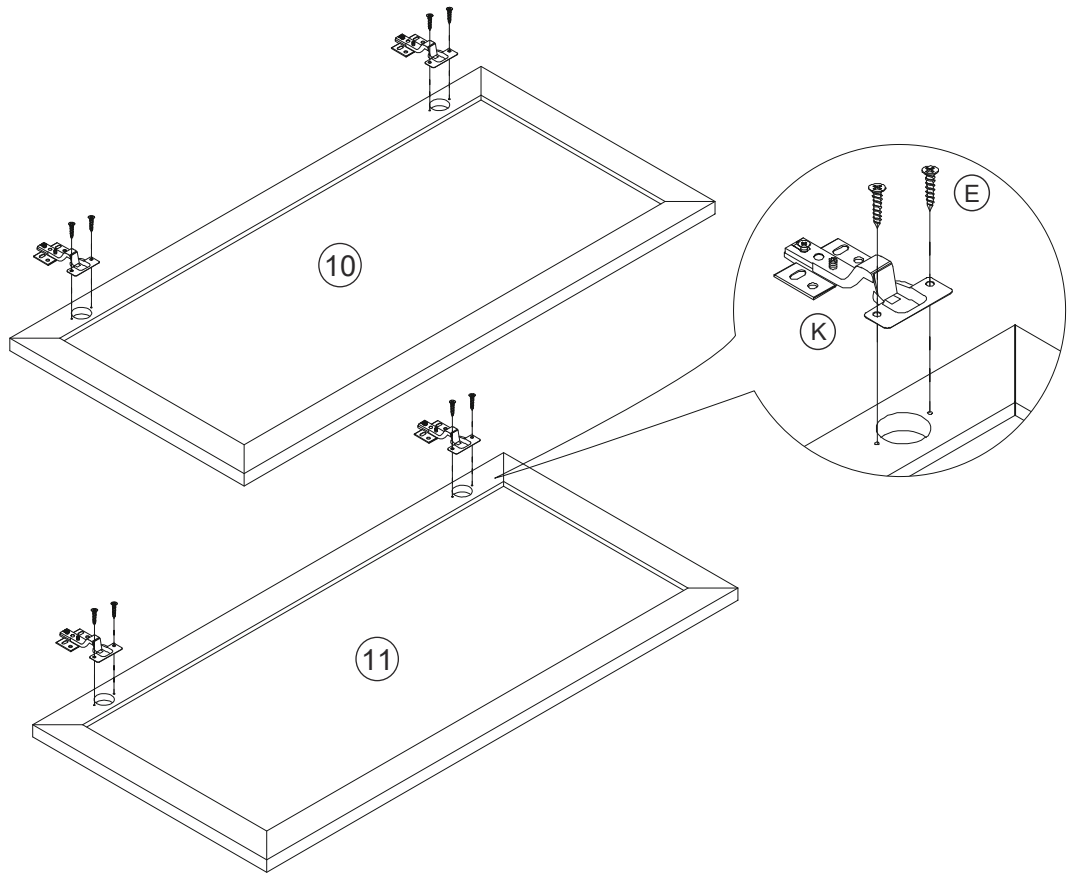


Ø4 x 14mm

(E) 8x



(K) 4x



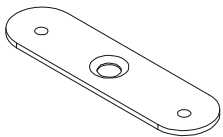
13

Attach door catch plates to the cabinet doors (10,11).

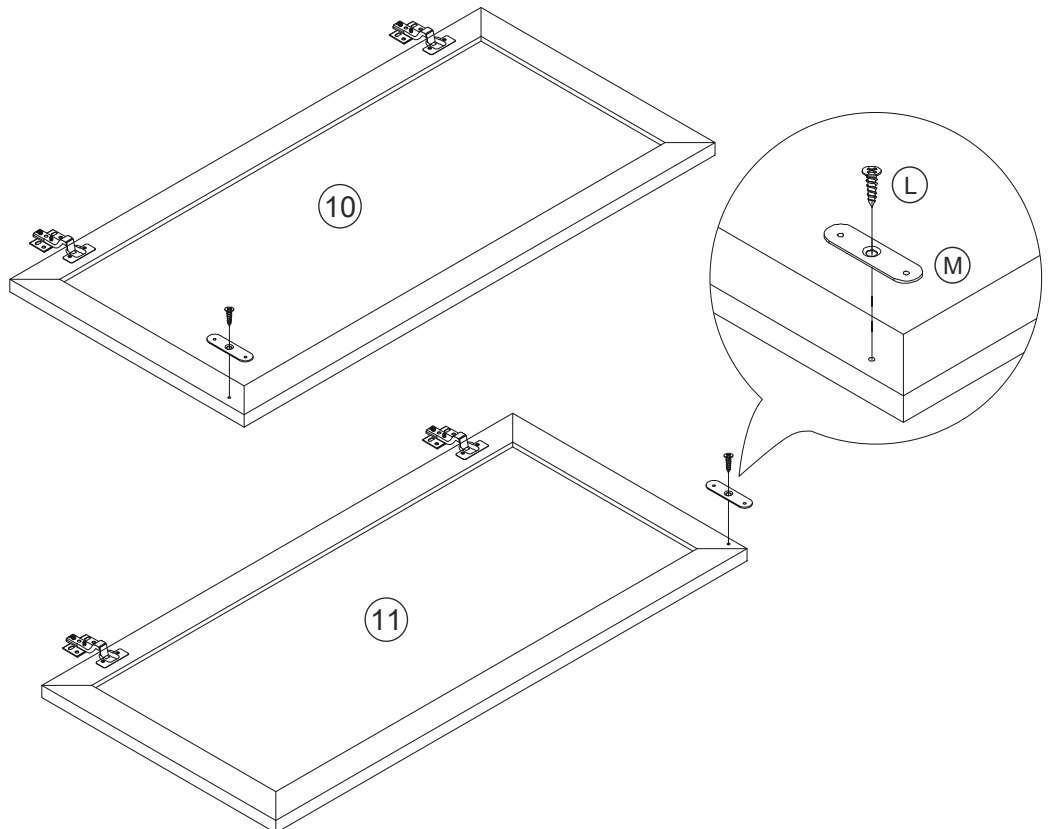


Ø3 x 14mm

(L) 2x



(M) 2x

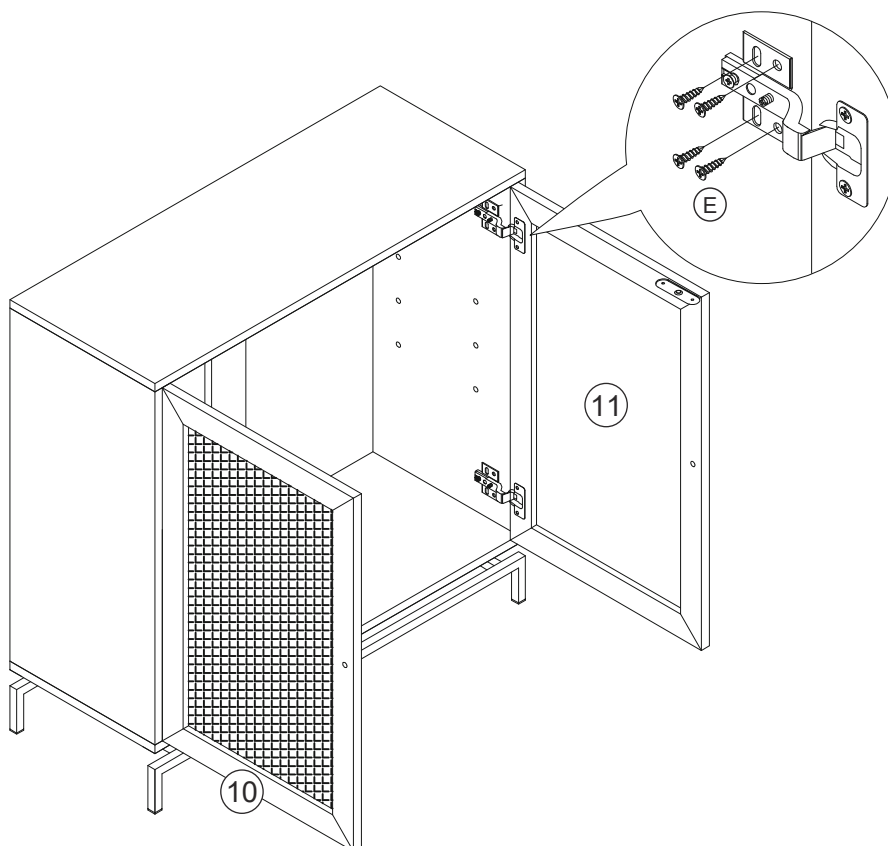


14

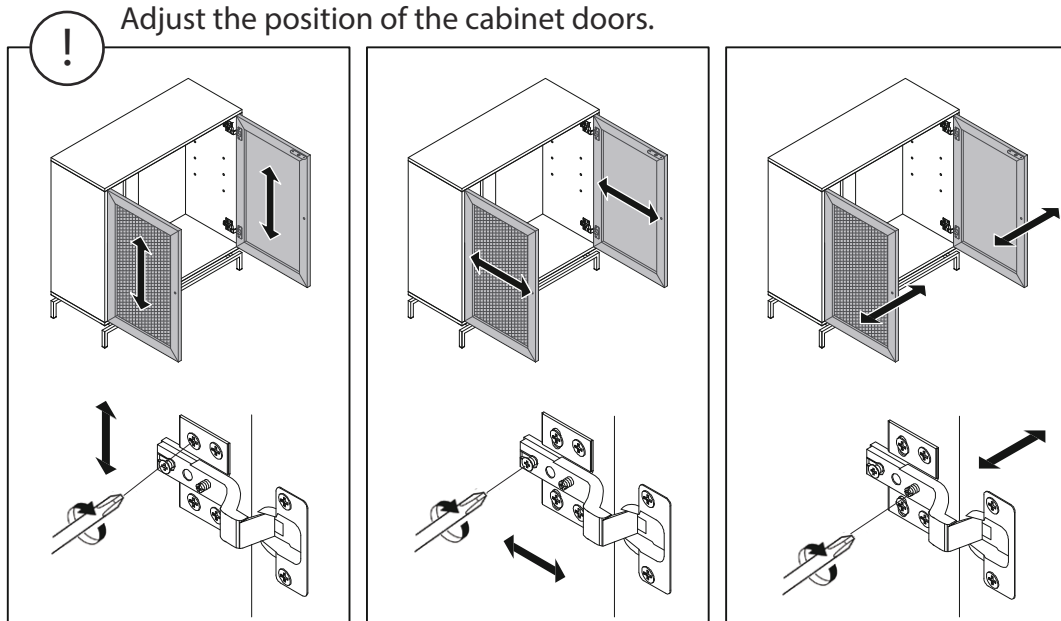
Assemble the cabinet doors (10,11) on the assembly.



(E) 16x



Adjust the position of the cabinet doors.



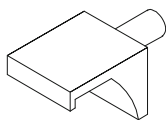
Up and down adjustment by loosening the screws on the mounting plate.

In and out adjustment by loosening the screws on the hinge arm.

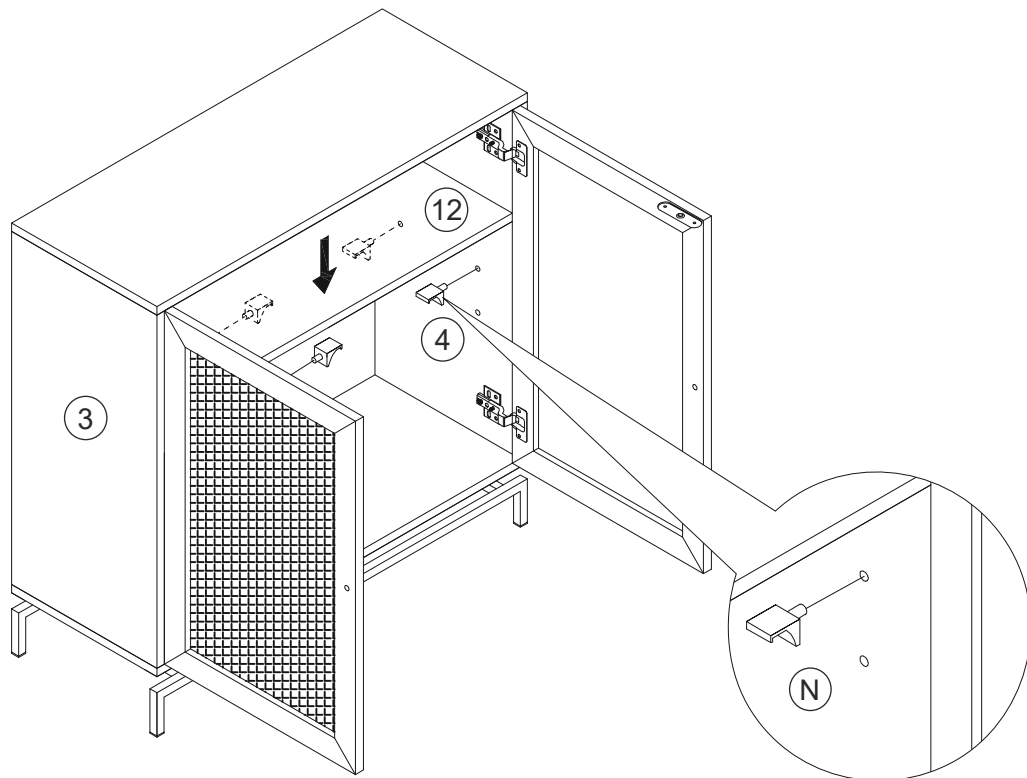
Side to side adjustment using the front adjustment screw on the hinge.

15

Insert shelf supports to the cabinet panels (3,4) and put on the adjustable storage shelf panel (12).

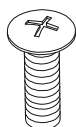


(N) 4x



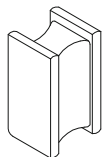
16

Attach handles to the cabinet doors (10,11).

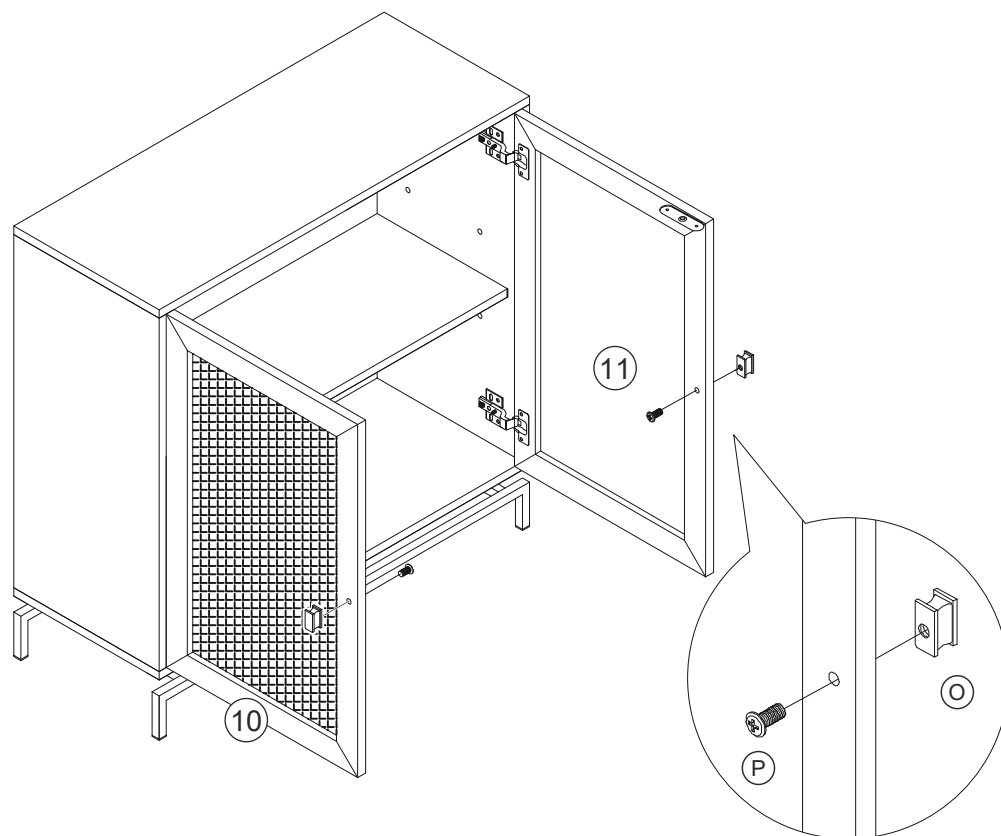


Ø4 x 20mm

(P) 2x



(O) 2x

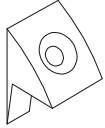


17

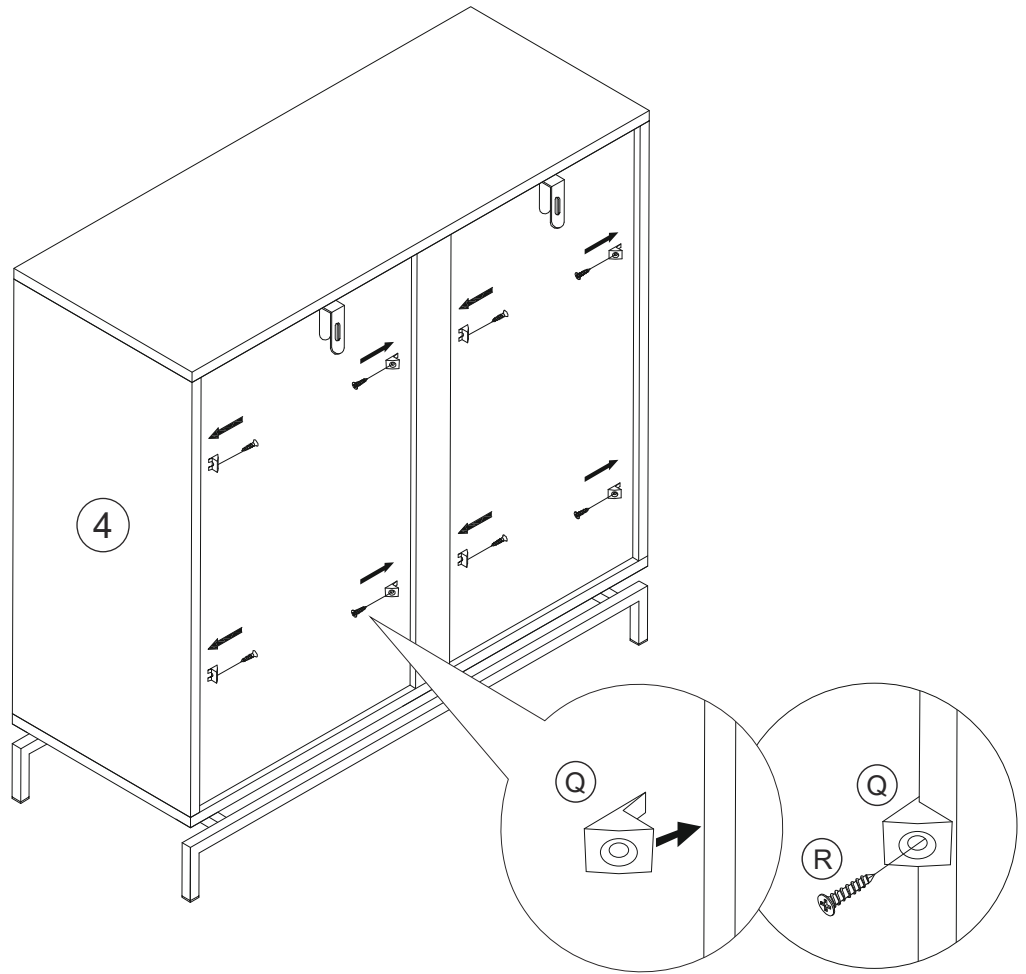
Secure the back panels in place.



(R) 8x

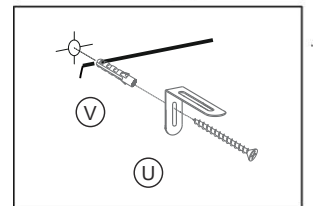
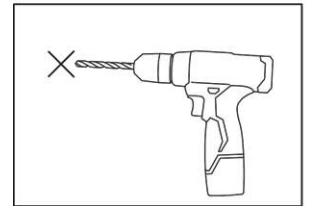
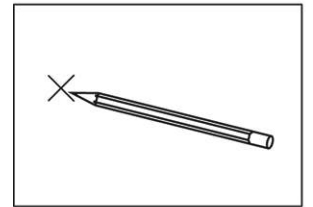
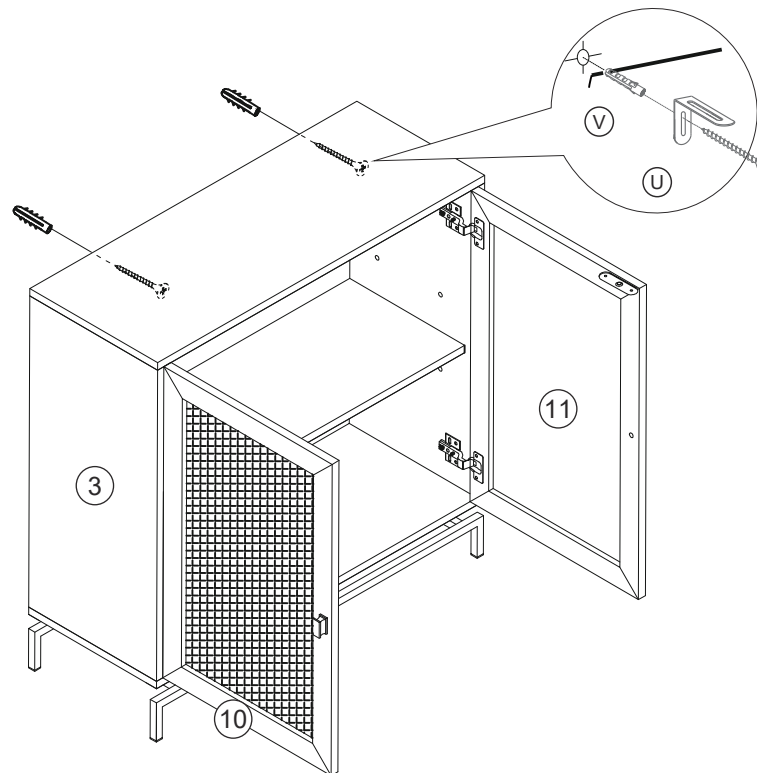
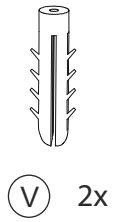
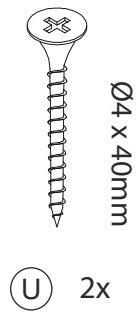


(Q) 8x



18

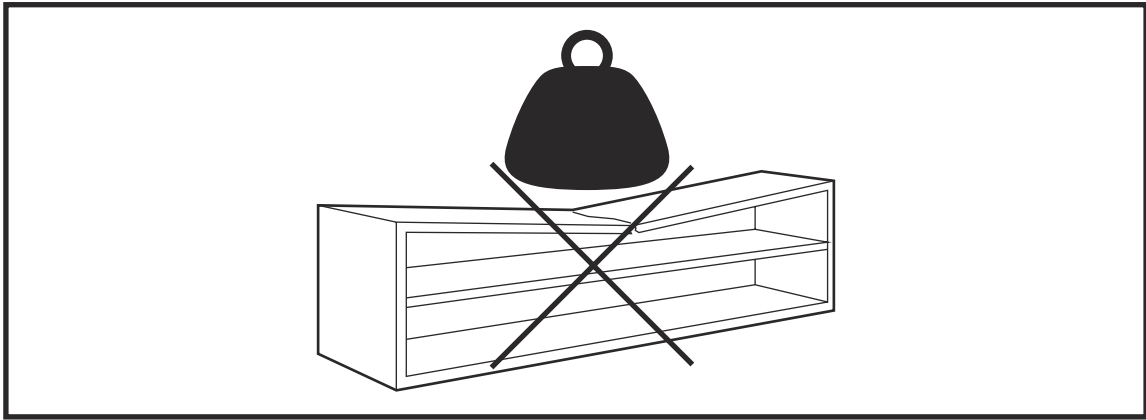
Affix the cabinet to a wall.



Furniture must permanently fixed to the wall stud with included anti-tipping device to prevent the furniture from tipping over.

- Mark the drill position on the wall with a pencil.
- Drill a small hole on the marked position.
- Insert a wall anchor into the drilled hole.
- Affix the cabinet to wall.

YOU'RE FINISHED!

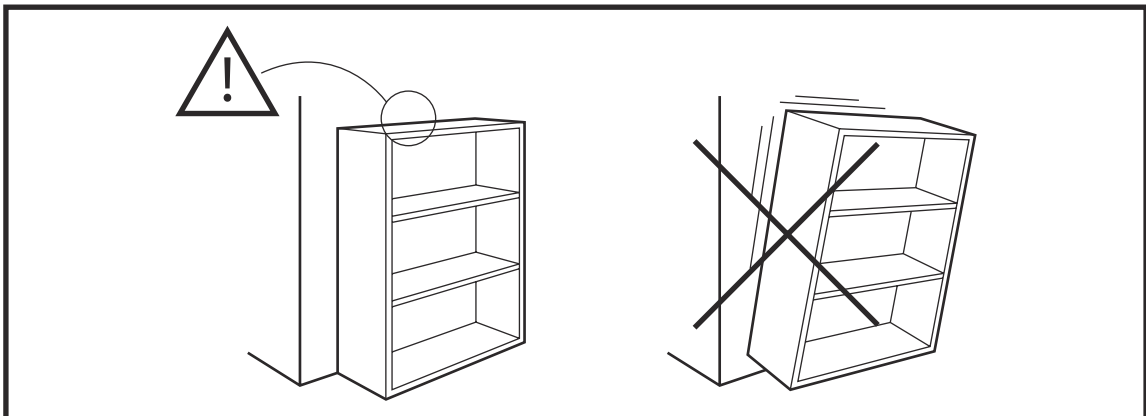


Warning

Only place items on top of the product if they meet the recommended size and weight limits.

Climbing on, stepping on, or placing overweighted objects on the product may cause property damage and/or injuries.

Items placed onto this product must be resting on a support surface without hanging over the edges.



Warning

Serious or fatal crushing injuries may occur if the furniture tip-over. Furniture must permanently affixed to the wall with included anti-tipping device in order to prevent the furniture from tipping over.

Different wall materials requires different types of wall anchors or screws. Use a suitable wall anchors or screws for your specific wall in order to secure the stability and load bearing capacity of the furniture. If you are uncertain about which type of device to use, please contact us or your local hardware store.

BELLEZE®

FURNITURE CARE AND MAINTENANCE

Medium - Density Fiberboard

Thank you for your purchase. We want your item to last as long as possible. To ensure the product gives you years of longevity, please follow the recommendations in this care and maintenance guide.



MAINTENANCE

- Tighten all bolts and screws again within the first 2 weeks of assembly.
- Check the tightness of all bolts every 2 months and tighten them if necessary.



CLEANING

- Clean the surface of the MDF (medium - density fiberboard) with a lightly dampened cloth.
- A small amount of mild soap can be used if necessary.
- Dry the surface immediately after cleaning.

- ⚠ DO NOT use bleach or alcohol to clean the surface.
- ⚠ DO NOT apply wood treatment on parts made with MDF.

MDF will swell and distort when exposed to water damage. Make sure to dry the furniture immediately after cleaning.

⚠ WARNING

The manufacturer and seller are not responsible for any and all liability relating to personal injury, property damage or losses, whether direct, indirect, or incidental, resulting from the incorrect attachment, improper use, inadequate maintenance, unapproved modification or neglect of this product.

© All copyright of this document belongs to BELLEZE .
This document may not be printed, translated, reproduced, or distributed in whole or in part without written permission from BELLEZE.

WARRANTY

BELLEZE products come with a 1-year warranty from the date of delivery.
Register your product on our website to enjoy our limited lifetime warranty!



AFTER-SALE SERVICE



Encounter any difficulties or missing parts?



Contact us at **1-800-682-6376** or email us at **support@belleze.com**



We will send you replacement.



Hassle free!
No need to worry about repackaging and sending your item back.

We hope you enjoy your new BELLEZE furniture!
Share your photos on Instagram and tag us: @bellezefurniture.

FOLLOW US:



@bellezefurniture

CONTACT INFO:

support@belleze.com
1-800-682-6376

BELLEZE®