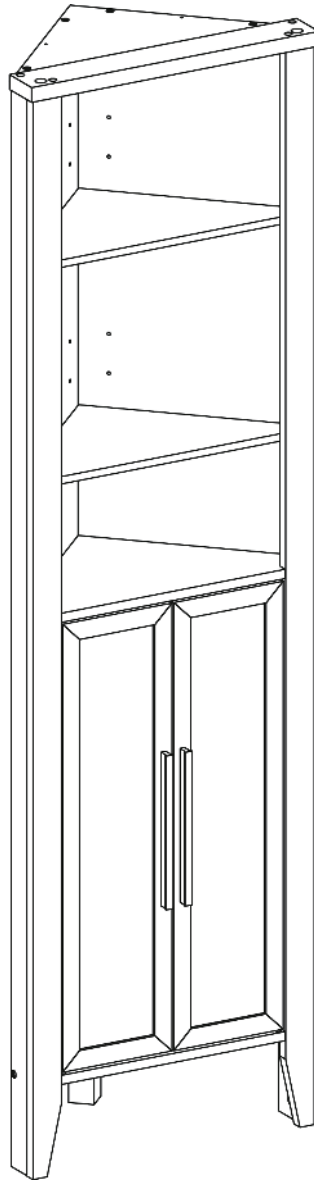


Brent Corner Cabinet



BELLEZE[®]

FOLLOW US:

CONTACT INFO:

ITEM NO. 014-HG-43507



@bellezefurniture

support@belleze.com
1-800-682-6376

The instruction booklet contains **IMPORTANT** safety information. Please read it in full and keep it for future reference.

www.belleze.com

Scan this QR Code
to view our online tutorial

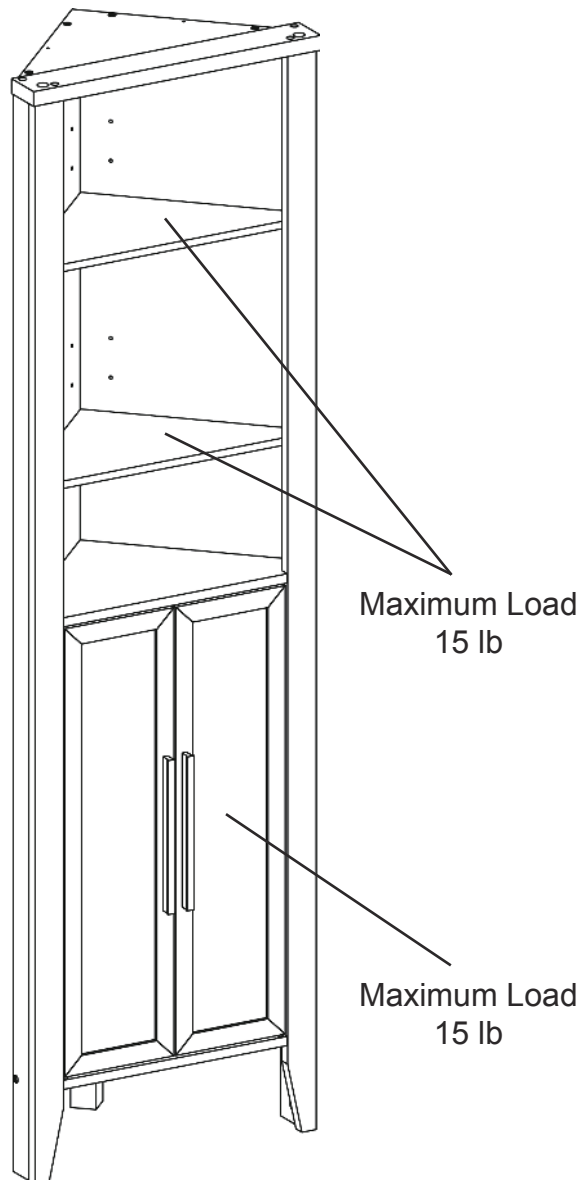


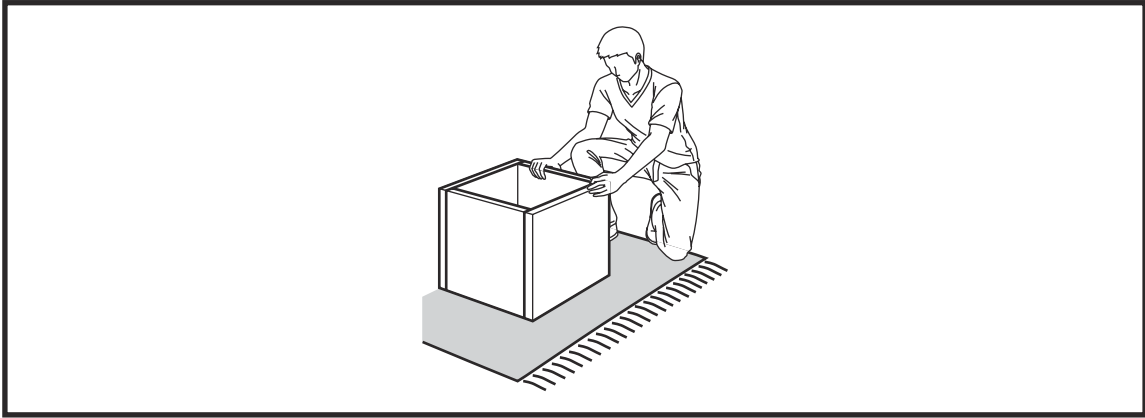
Estimated time for assembly:

45 mins



Weight limitations are as follows:

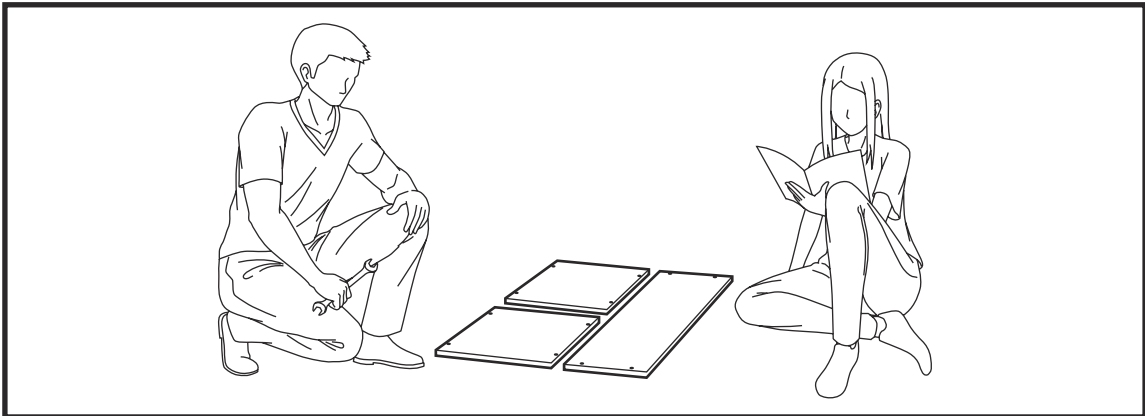




Assemble the furniture on an empty carton, carpet, or rug to prevent scratches or damage.

For safety, please keep pets and children away from the assembly area.

Ensure the product is fully assembled before use. If you are missing any hardware or products, do not use it until you have restored the missing parts.



This furniture requires 2 people for assembly.

Read this instruction manual prior to assembly to familiarize yourself with the various steps.

Lay out all components and hardware separately on a flat surface and make sure that no parts are missing or damaged before assembly. Do not destroy or discard any packaging until you are certain that you have all the necessary parts for assembly.

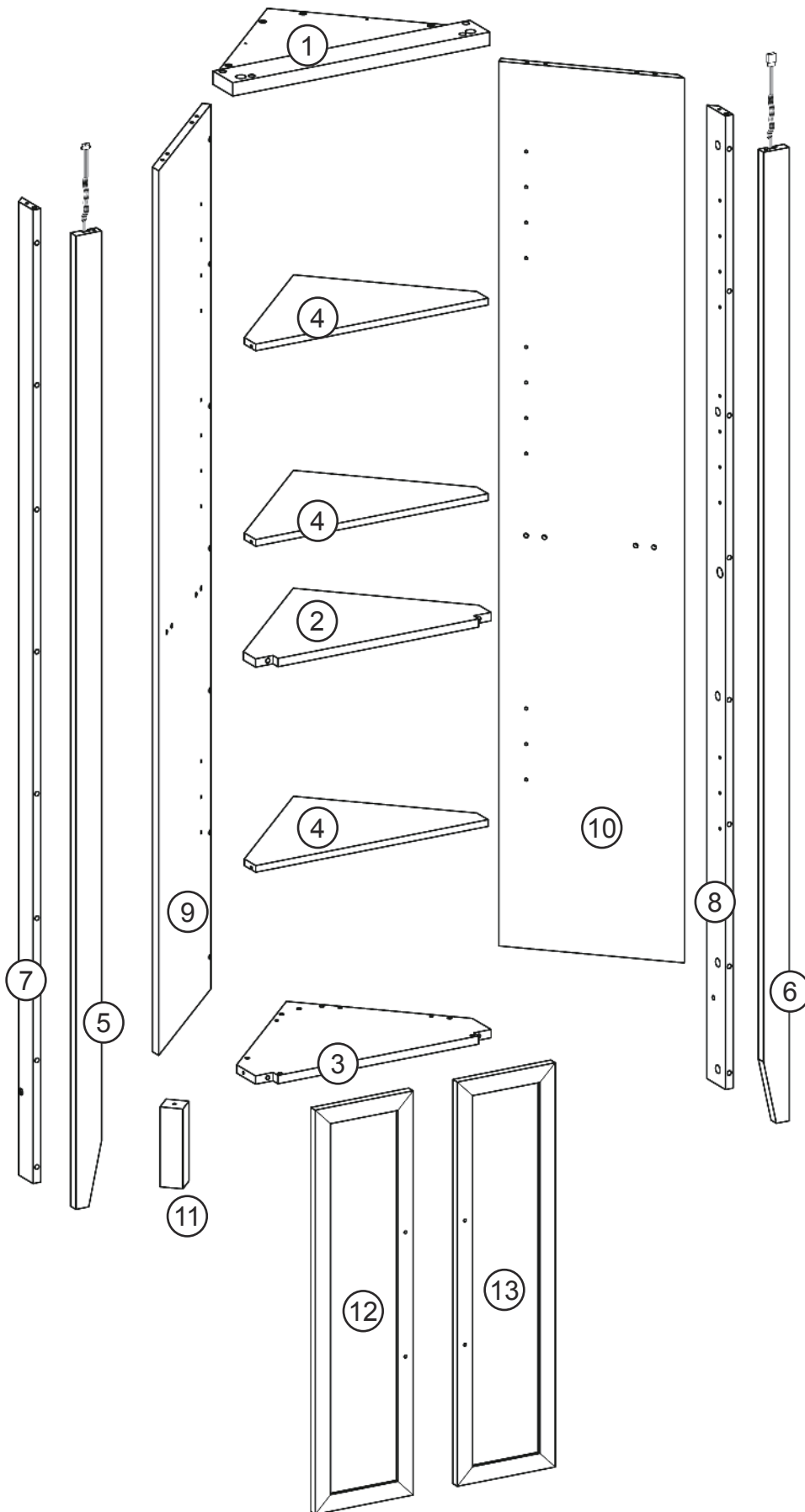
Hand tight all hardware and careful not to over tighten to avoid damaging the product.

CAUTION

There are small components used in the construction of this product. Loose items should be kept away from pets and children to avoid a choking hazard.

Keep all plastic bags and packaging film away from pets and children to avoid suffocation.

PACKAGE CONTENTS



PACKAGE CONTENTS

CODE	DESCRIPTION	QTY
1	Top Panel	1
2	Center Panel	1
3	Bottom Panel	1
4	Storage Panel	3
5	Left Front Leg	1
6	Right Front Leg	1
7	Left Side Leg	1
8	Right Side Leg	1
9	Left Panel	1
10	Right Panel	1
11	Back Leg	1
12	Left Cabinet Door	1
13	Right Cabinet Door	1

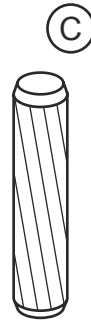
PACKAGE CONTENTS



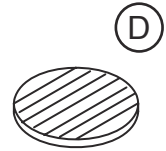
14x + 1x



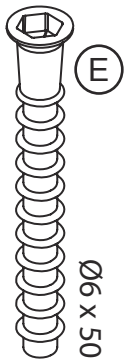
14x + 1x



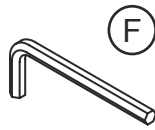
23x + 2x



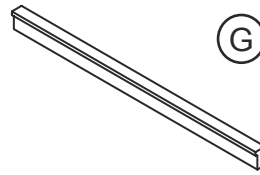
14x + 1x



23x + 2x



1x



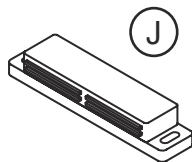
2x



4x



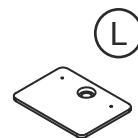
12x + 1x



1x



2x



2x



Install all hardware perpendicular to the opening.

PACKAGE CONTENTS

(M)



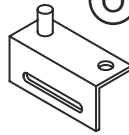
2x

(N)



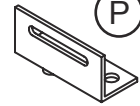
4x

(O)



2x

(P)



2x

(Q)



8x + 1x

(R)



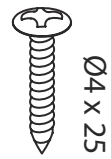
2x

(S)



2x

(T)



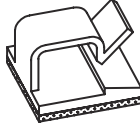
2x

(U)



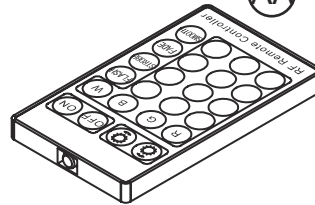
2x

(V)



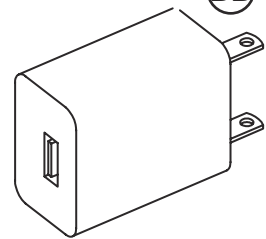
2x

(AA)



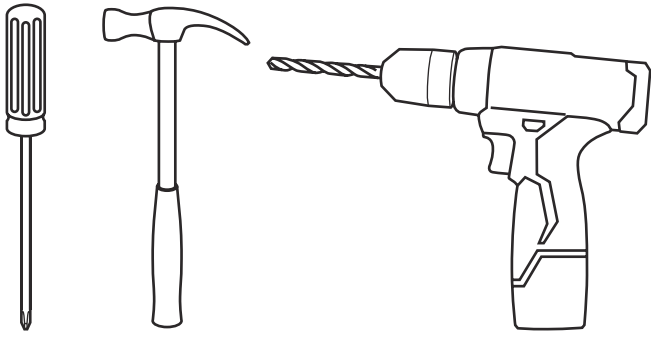
1x

(BB)

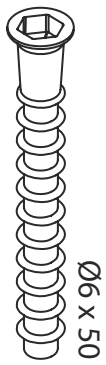


1x

Required tools for assembly (Not included)

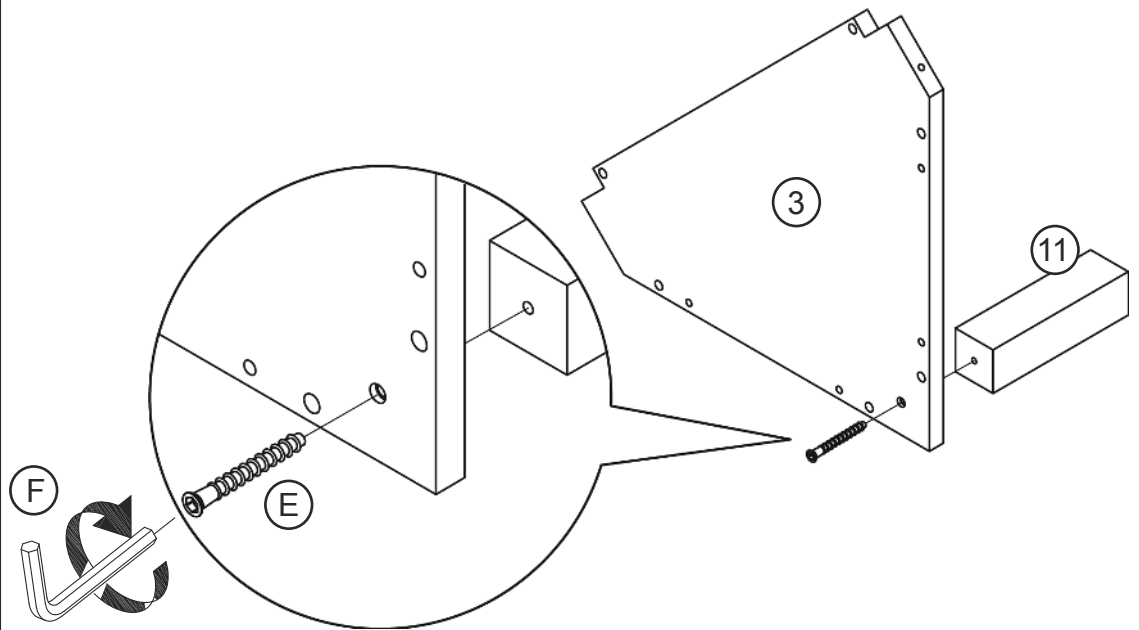


1



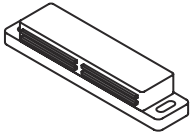
(E) 1x

Assemble the back leg (11) underneath the bottom panel (3).



2

Attach magnetic catch and insert cabinet door pivot hinge bushing to the center panel (2).



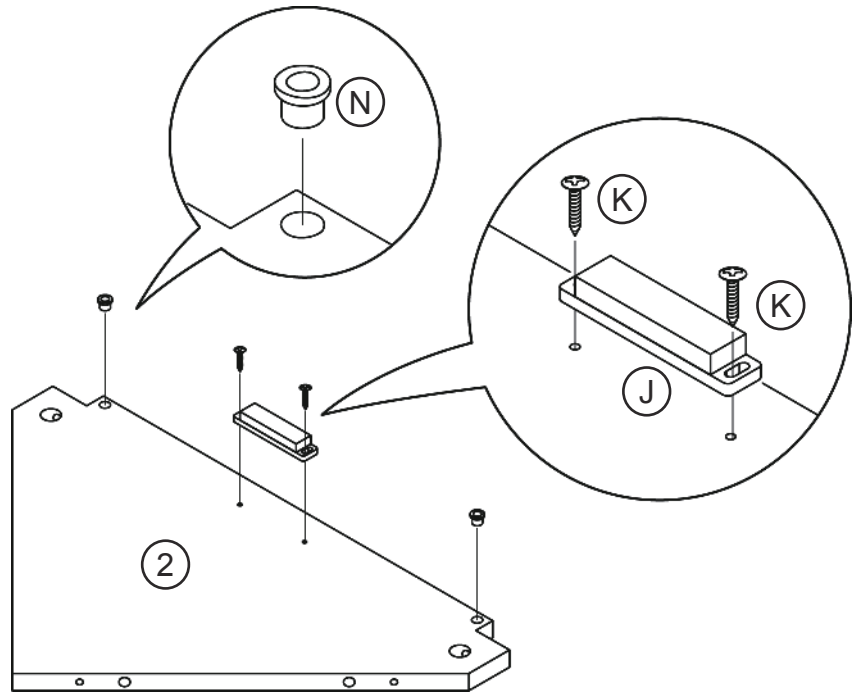
(J) 1x



(K) 2x

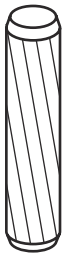


(N) 2x

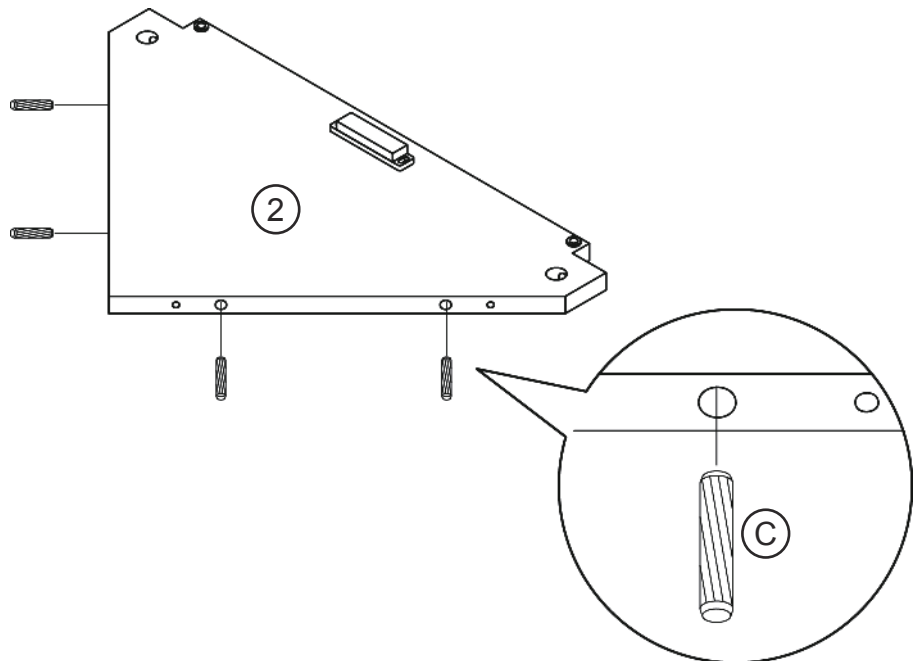


3

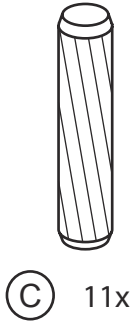
Insert wood dowels to the center panel (2).



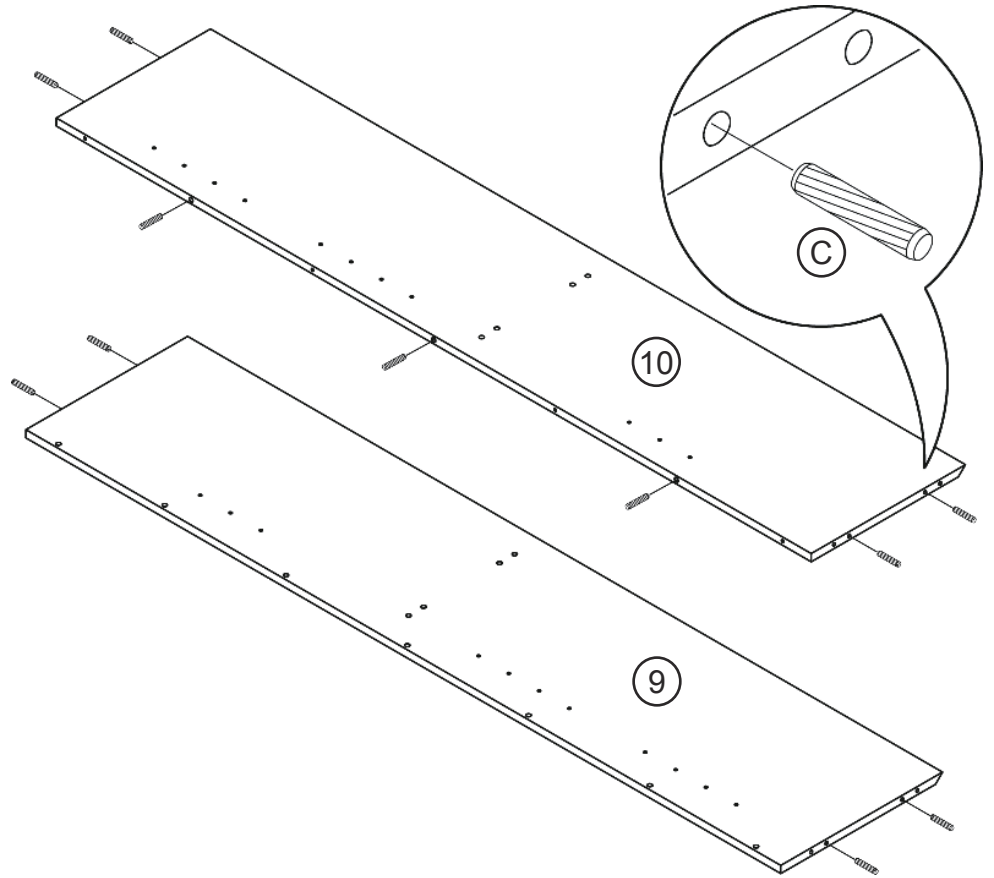
(C) 4x



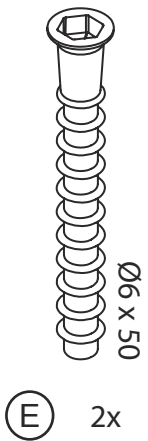
4



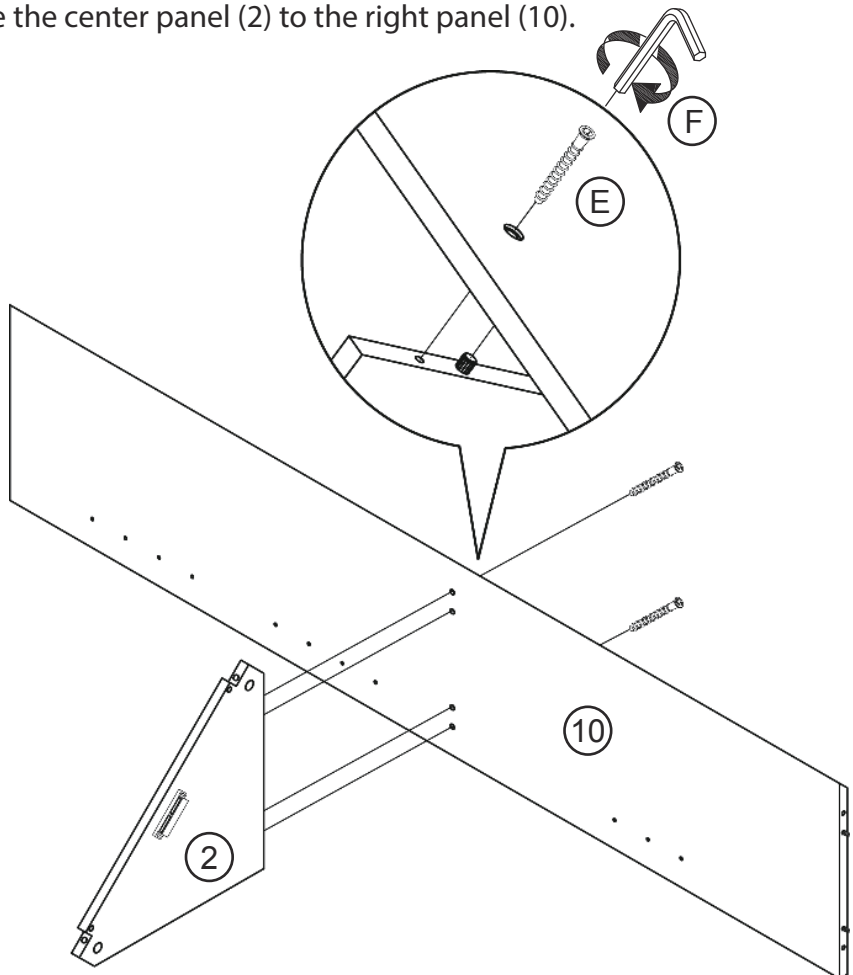
Insert wood dowels to the left and right panels (9, 10).



5



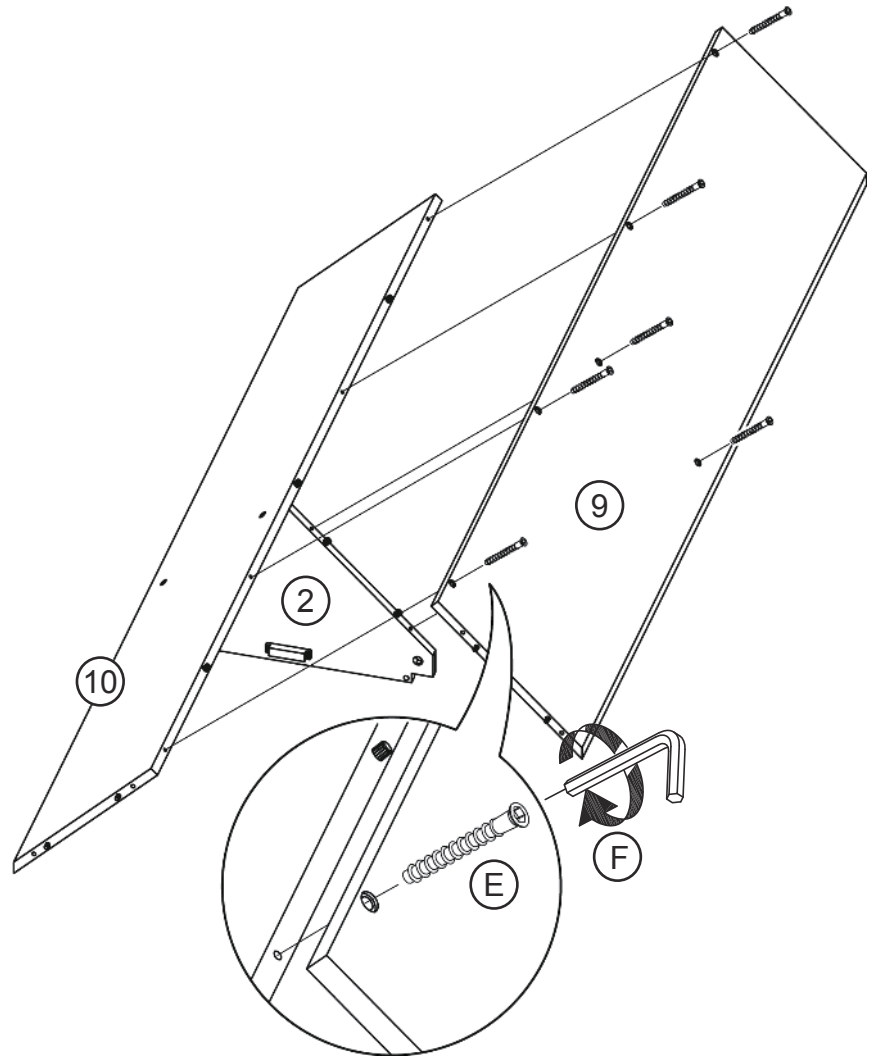
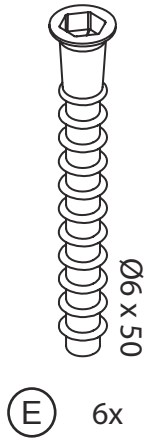
Assemble the center panel (2) to the right panel (10).



10

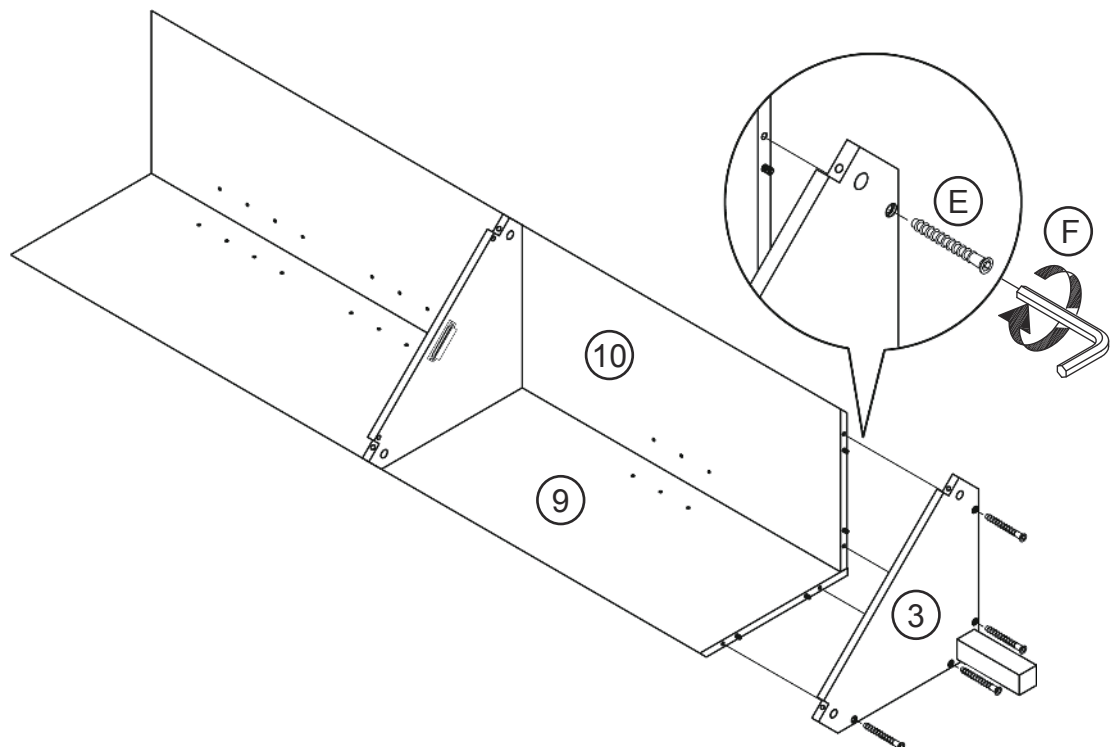
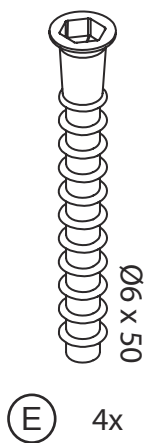
6

Assemble the left panel (9) to the center panel (2) and the right panel (10).



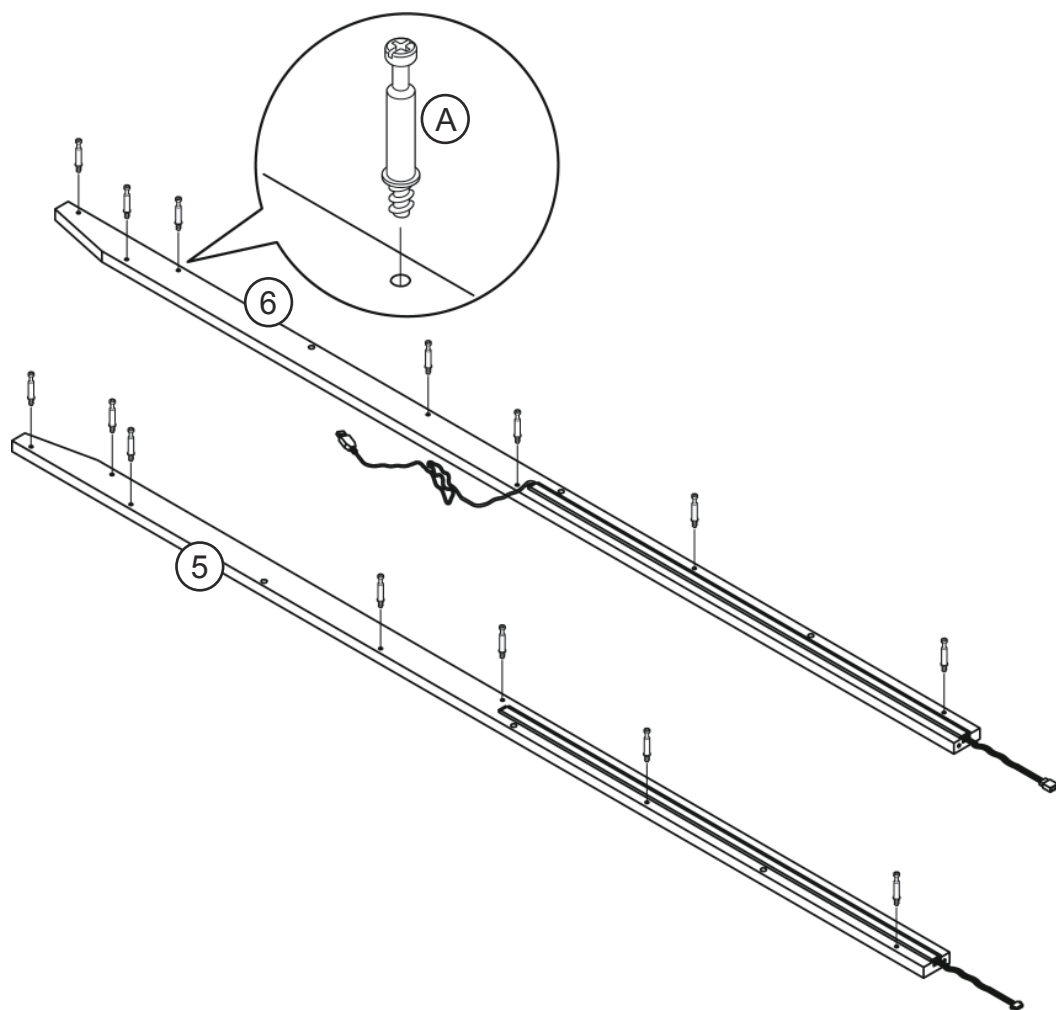
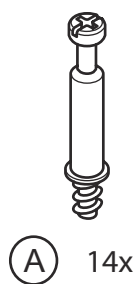
7

Assemble the bottom panel (3) under the left and right panels (9, 10).



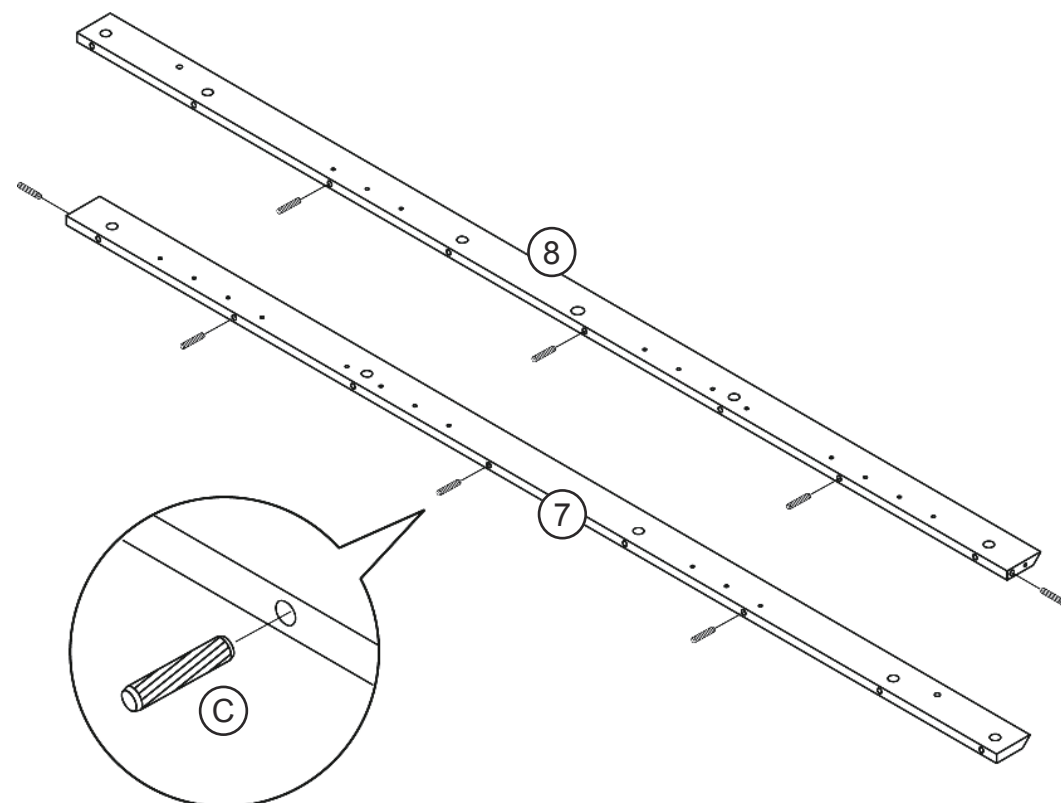
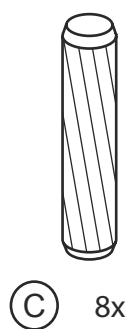
8

Attach cam bolts to the left and right front legs (5, 6).



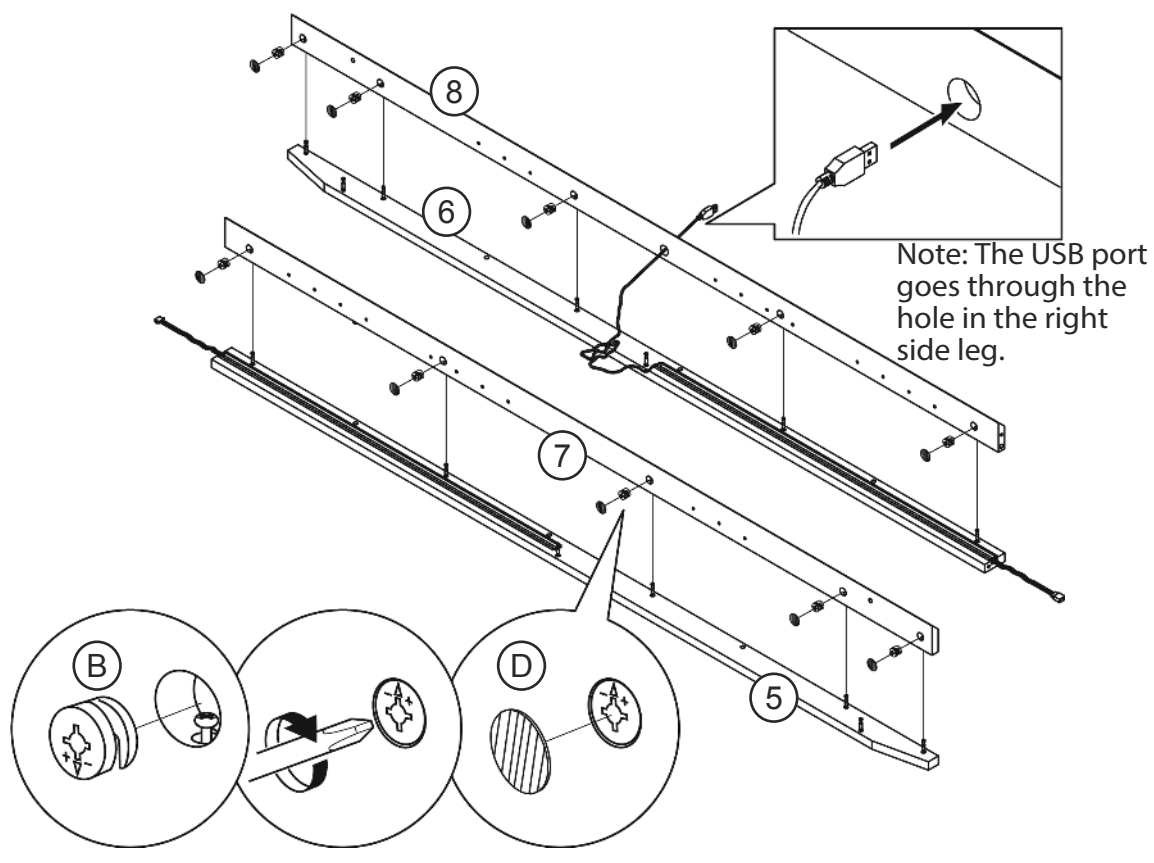
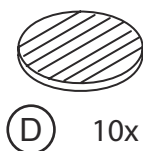
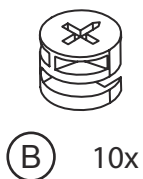
9

Insert wood dowels to the left and right side legs (7, 8).



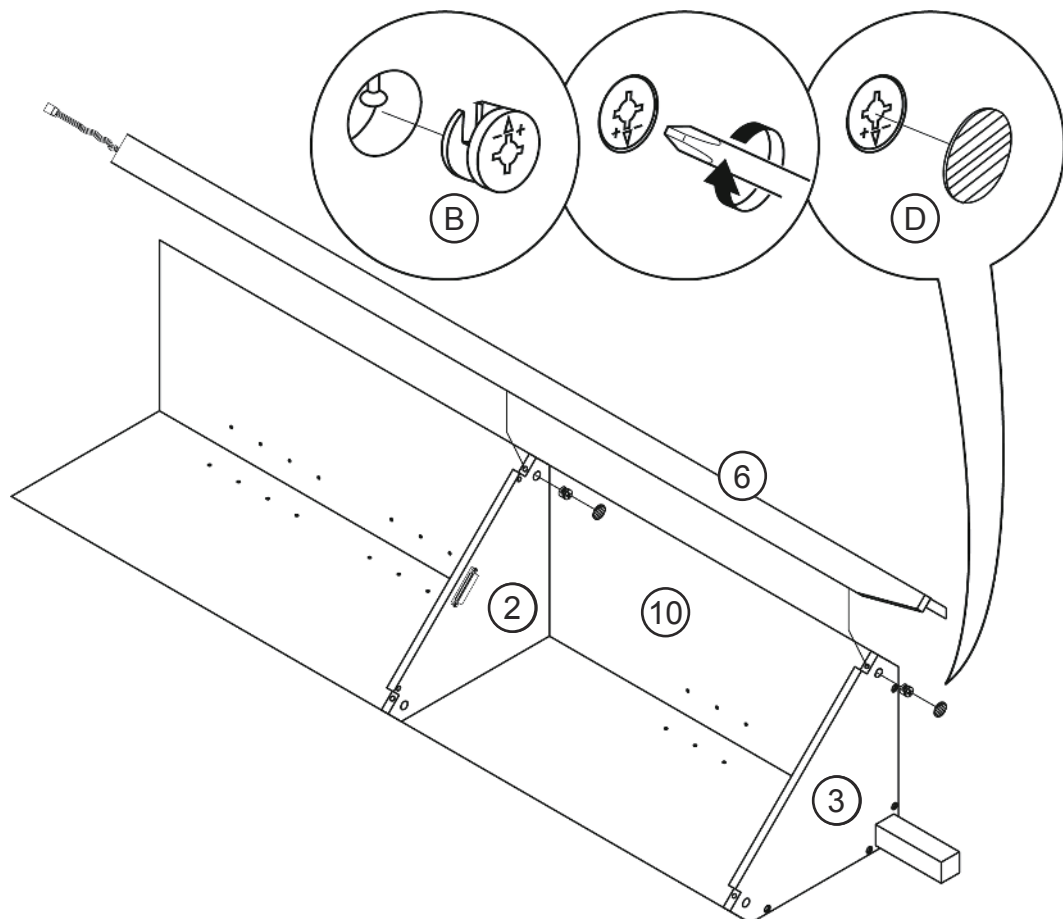
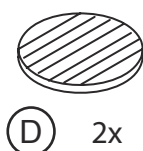
10

Assemble the left front leg (5) to the left side leg (7).
Then assemble the right front leg (6) to the right side leg (8).



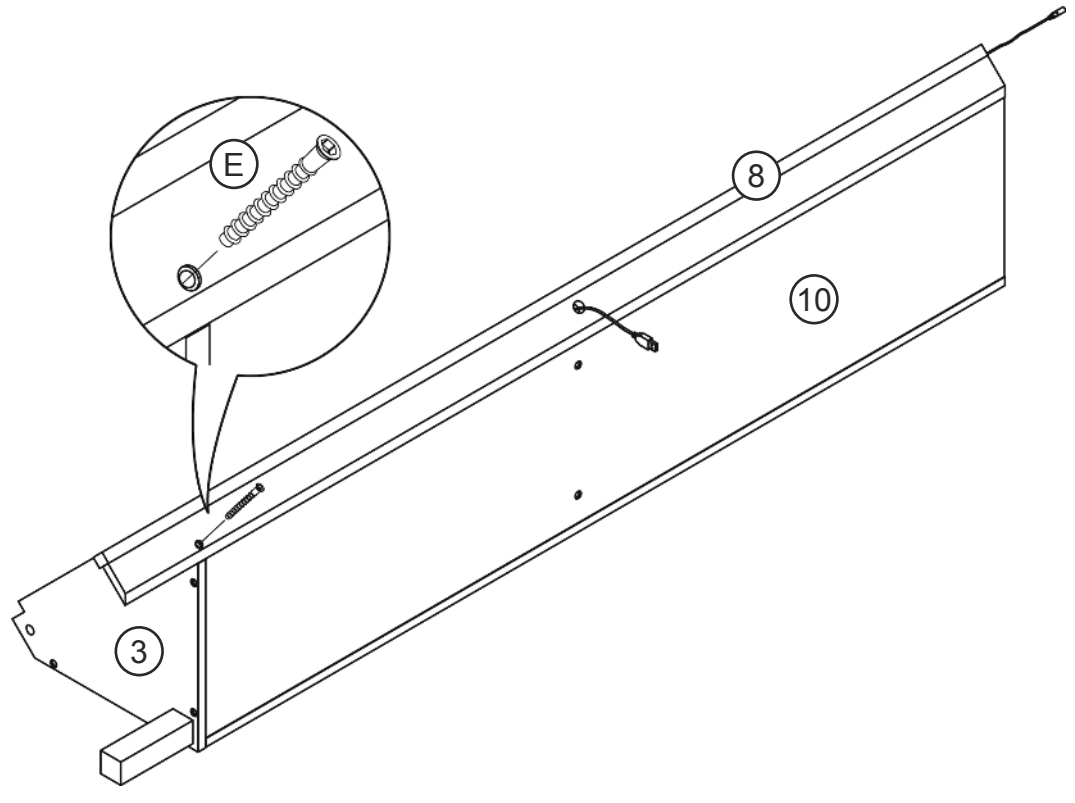
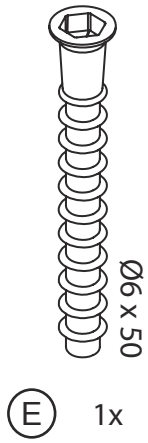
11

Assemble the right front fram to the right side of the center and bottom panel.



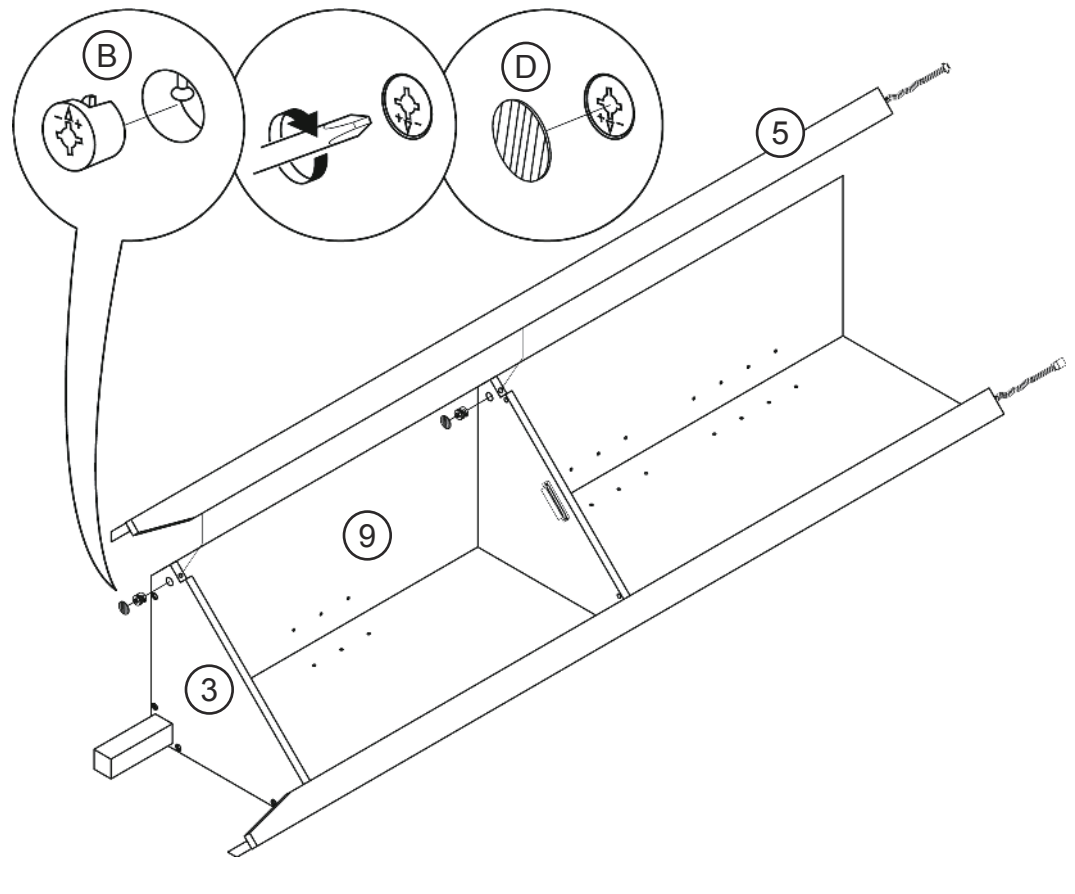
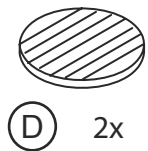
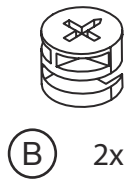
12

Secure the right side leg (8) to the bottom panel.



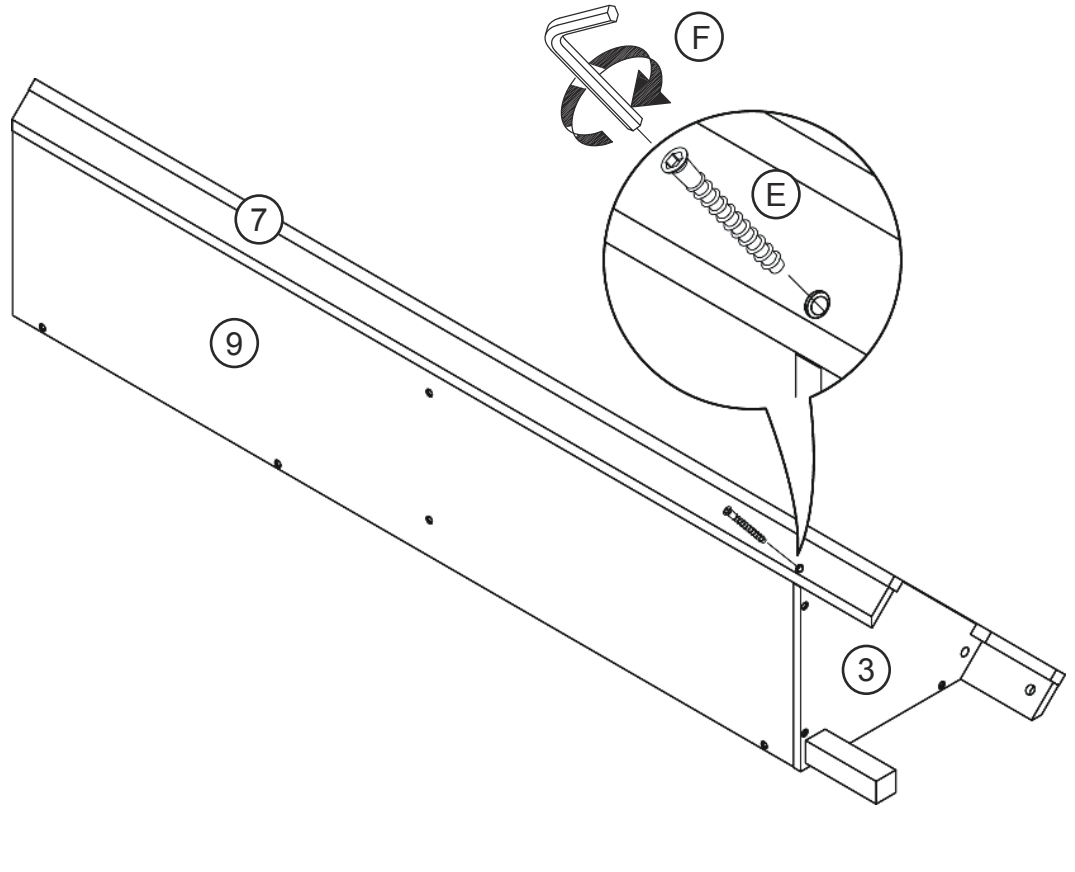
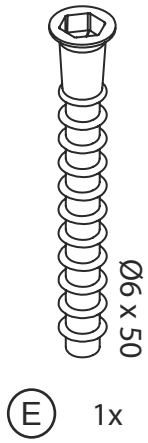
13

Assemble the left front fram to the left side of the center and bottom panel.



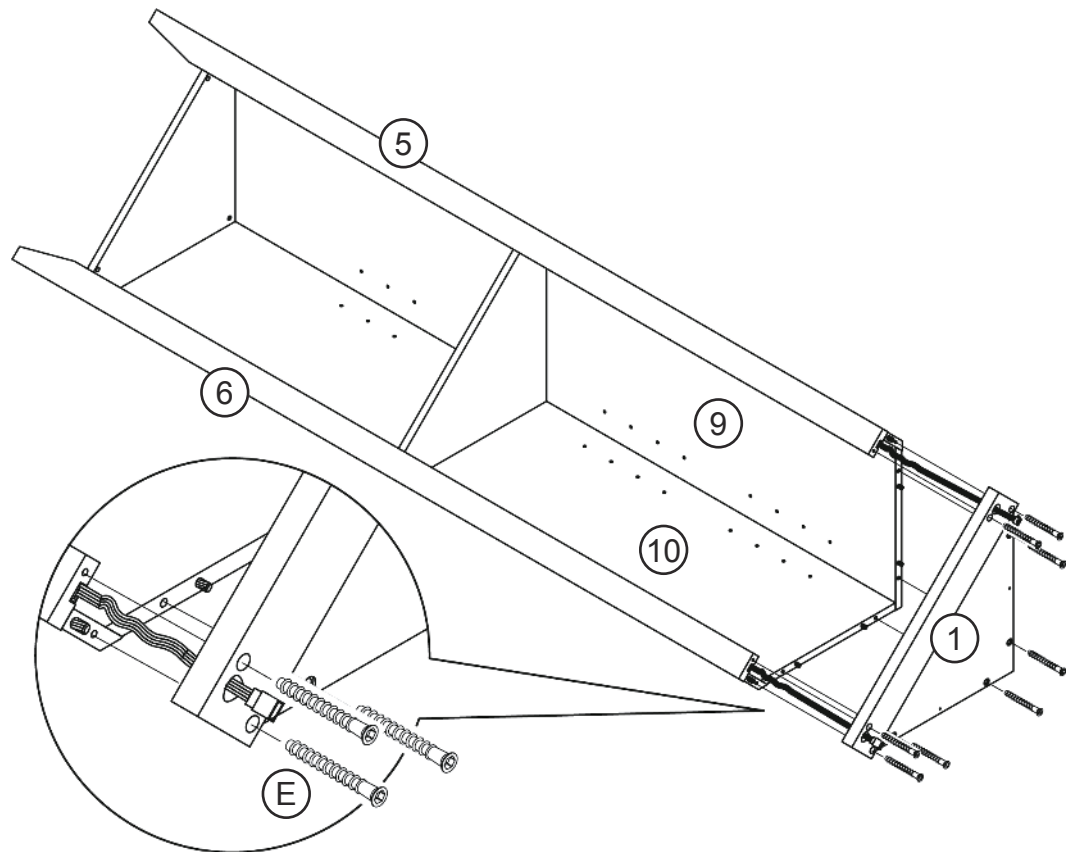
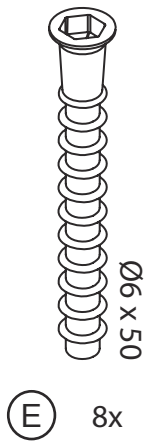
14

Secure the left side leg (7) to the bottom panel.



15

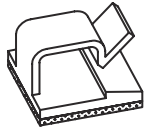
Assemble the top panel (1) on top of the cabinet assembly.



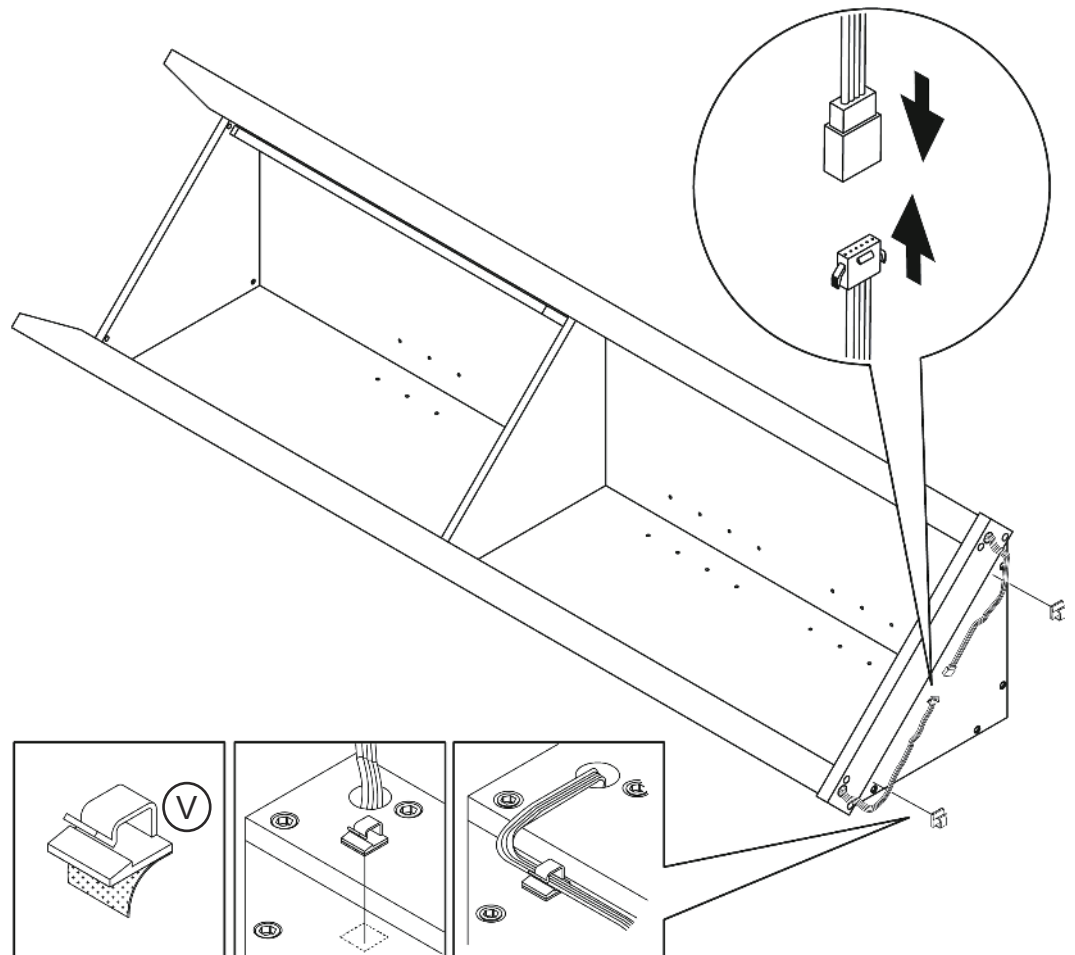
Note: The line interface goes through the hole in the top panel.

16

Connect the power cord for the LED lights between the left and right legs. Use provided cable clip to hold the cord on top of the top panel.

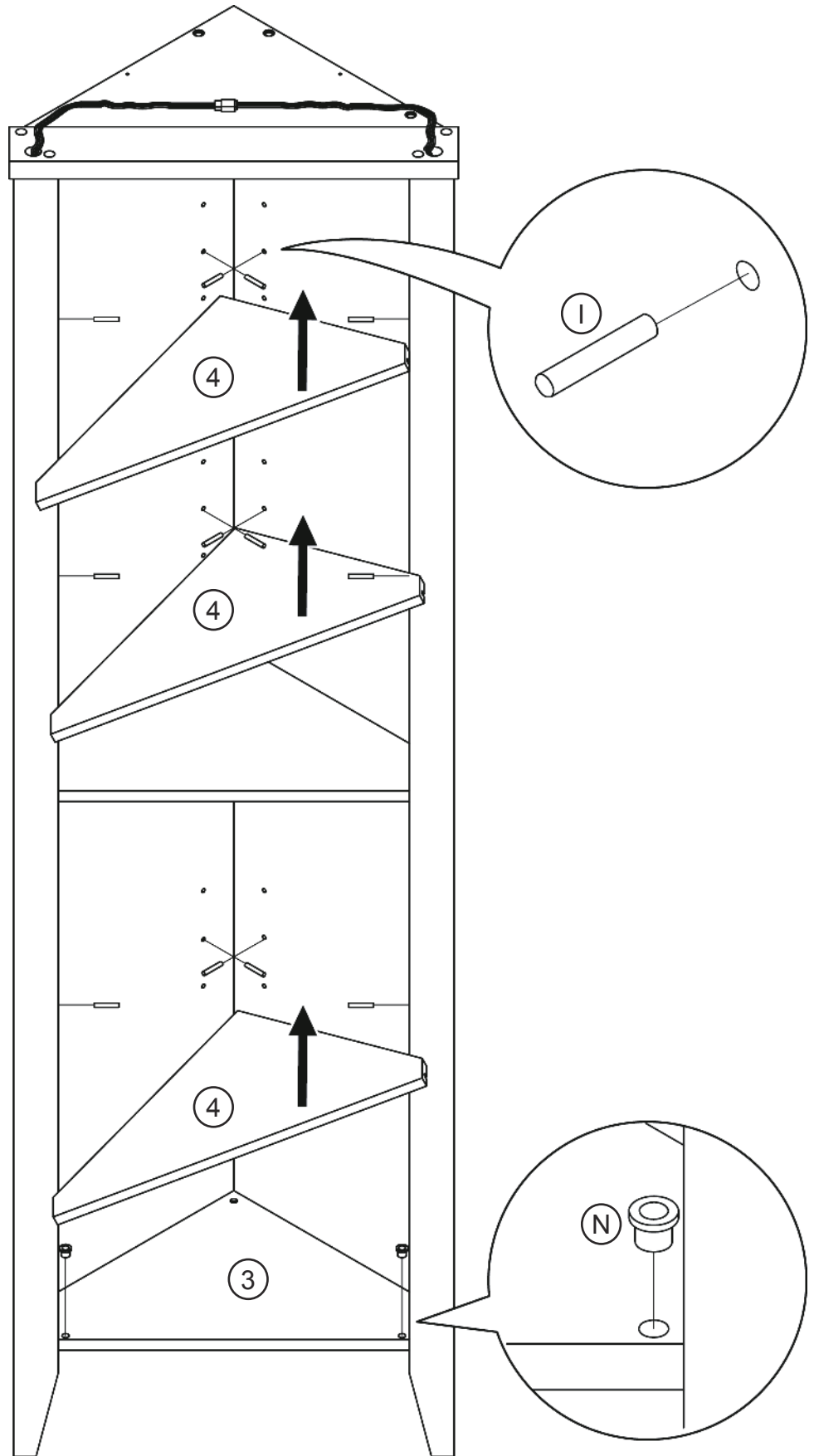
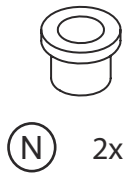
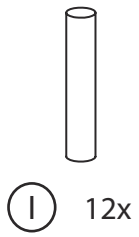


(V) 2x



17

Insert shelf pegs into the cabinet and put on the storage shelf panels (4).
Insert pivot hinge bushings to the bottom panel.



18

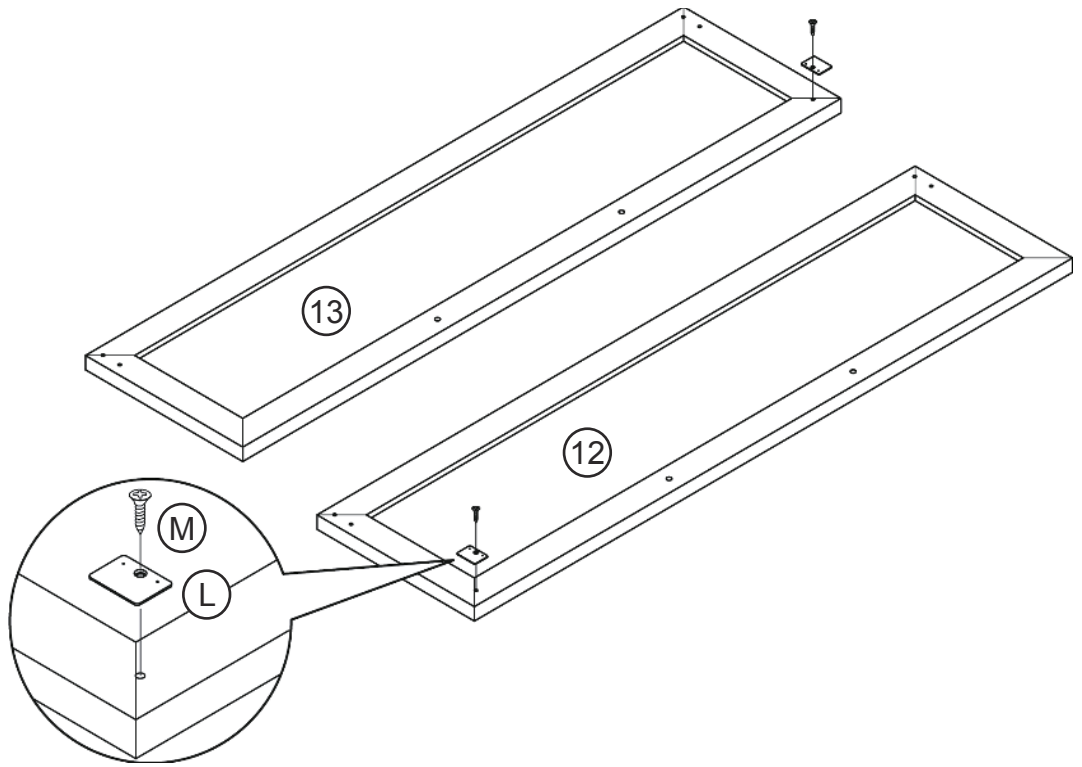
Attach the magnetic catch plate to the cabinet doors (12, 13).



(L) 2x

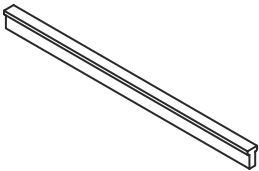


(M) 2x



19

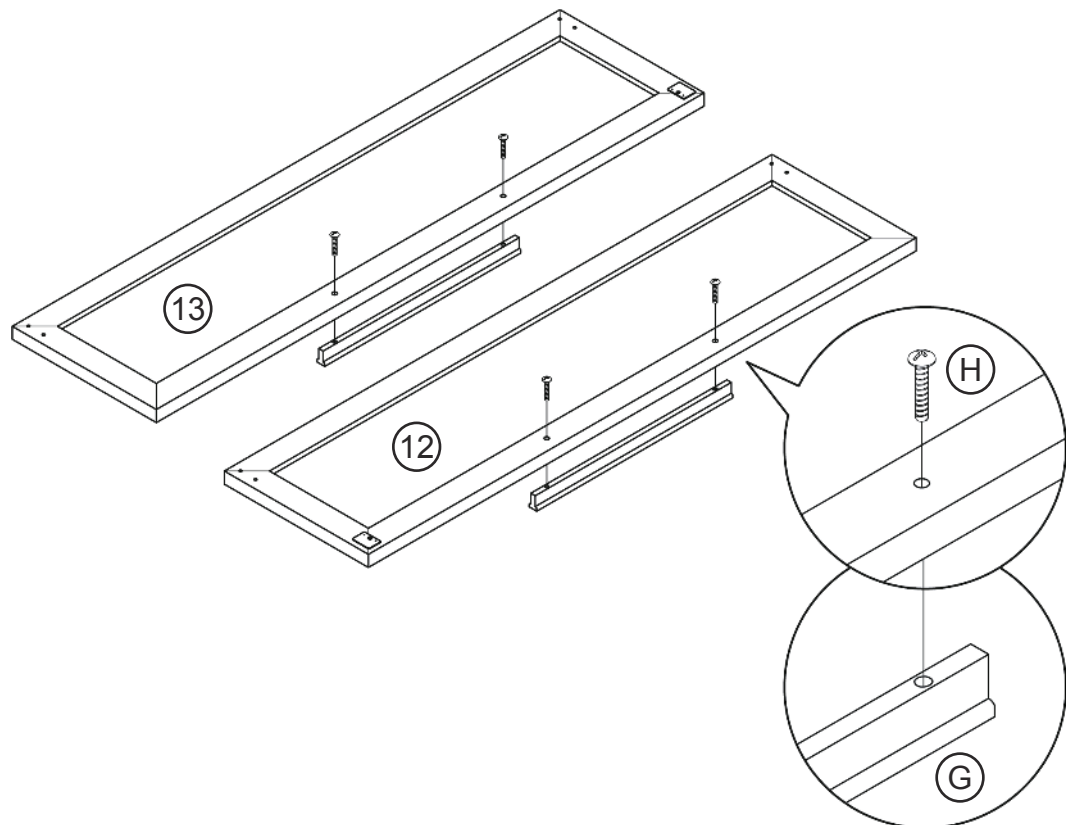
Attach handles to the cabinet doors (12, 13).



(G) 2x

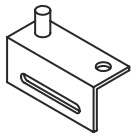


(H) 4x

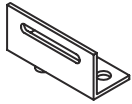


20

Attach the pivot hinge plates to the cabinet doors (12, 13).



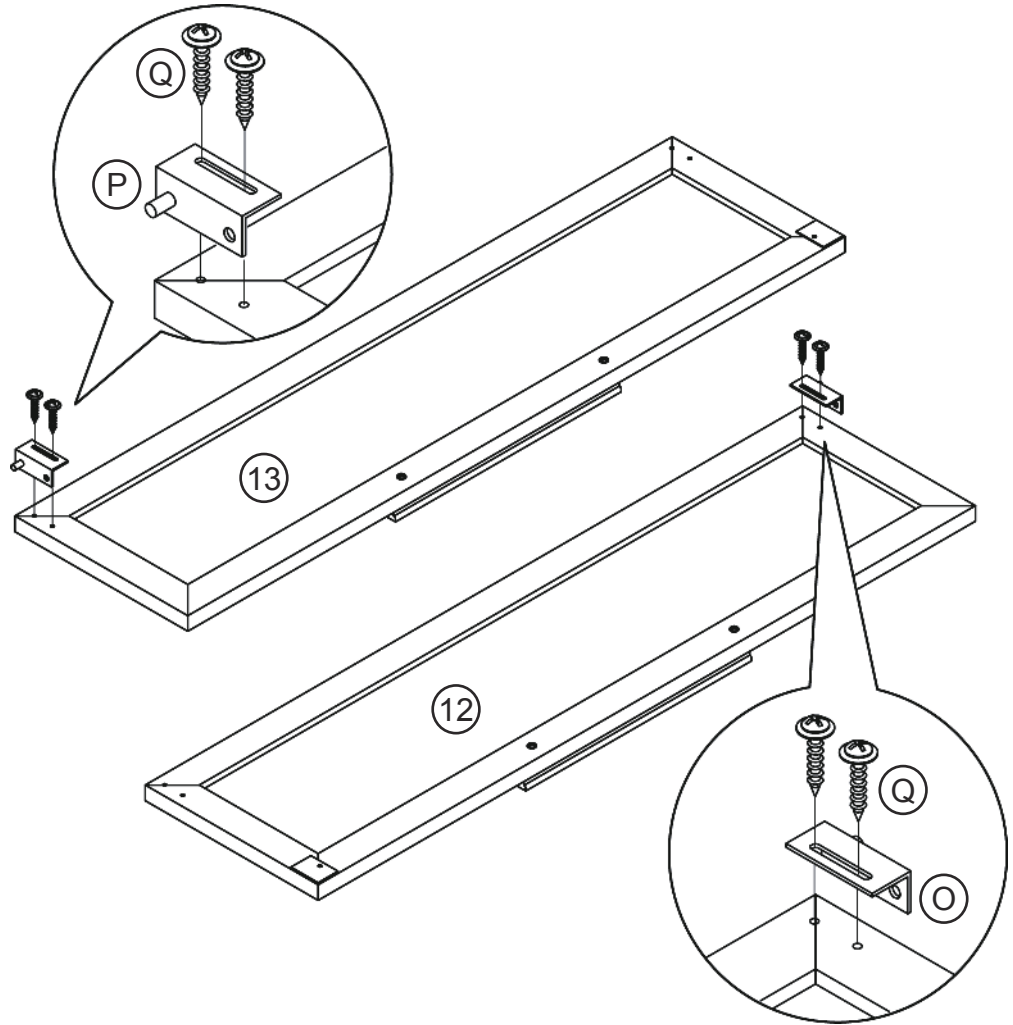
⓪ 1x



Ⓟ 1x

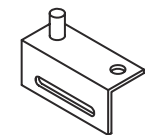


Ⓠ 4x



21

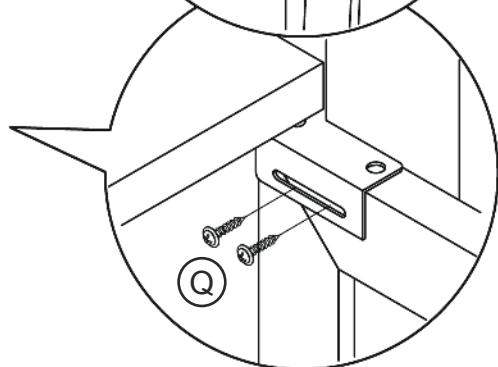
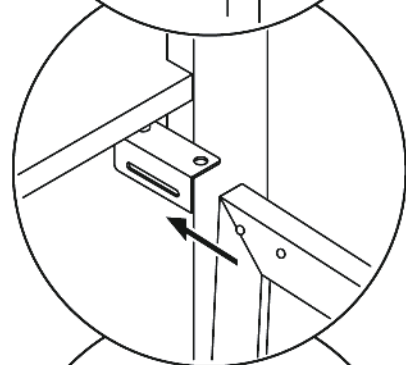
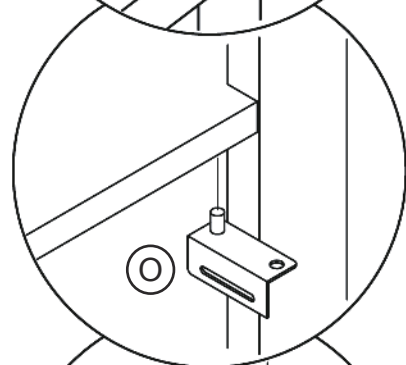
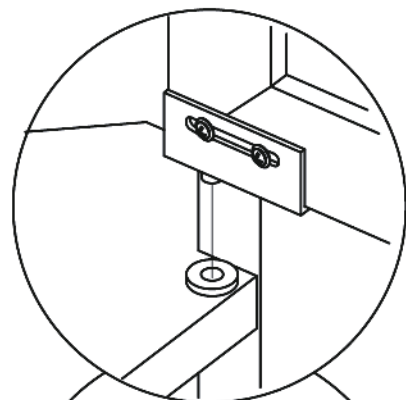
Insert the pivot hinge plate underneath the center panel and attach the right cabinet door (13) to the cabinet.



Ⓞ 1x

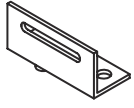


Ⓚ 2x



22

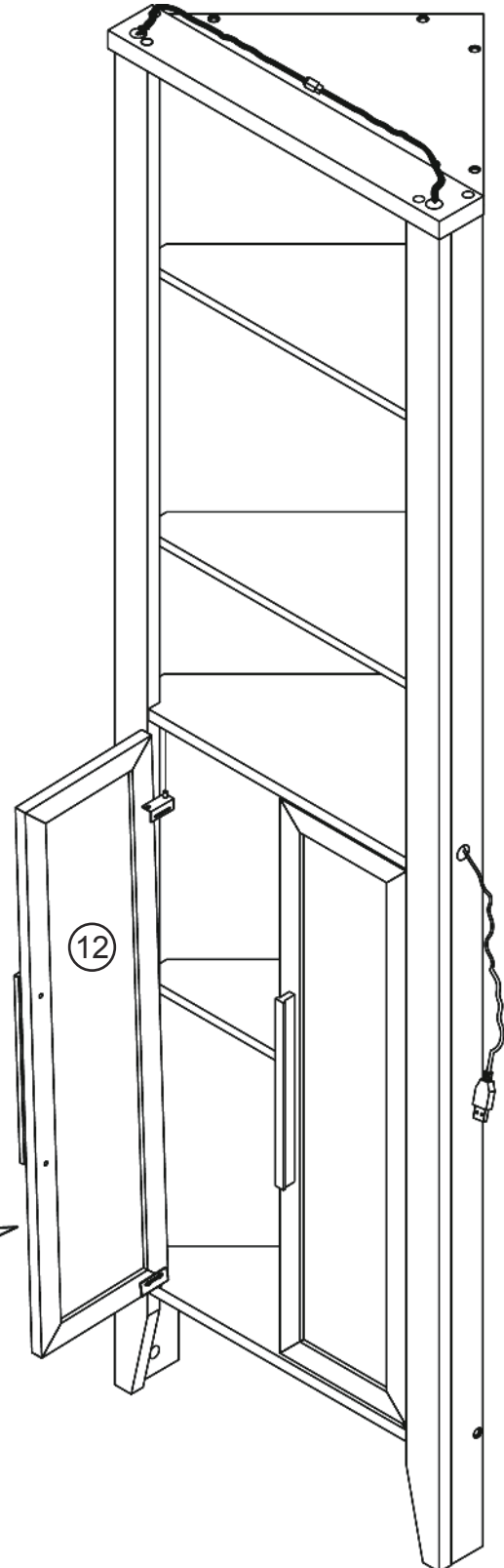
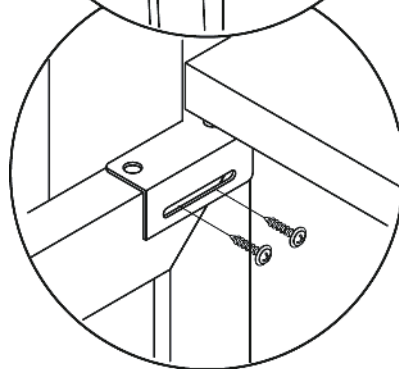
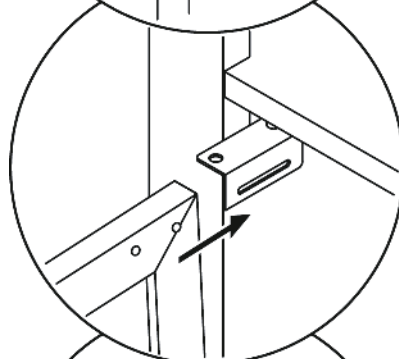
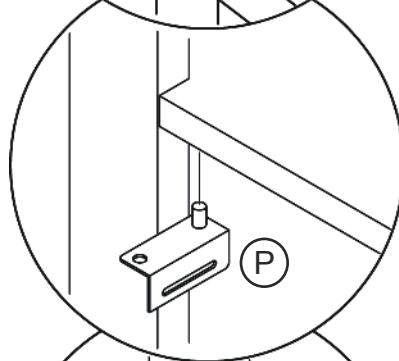
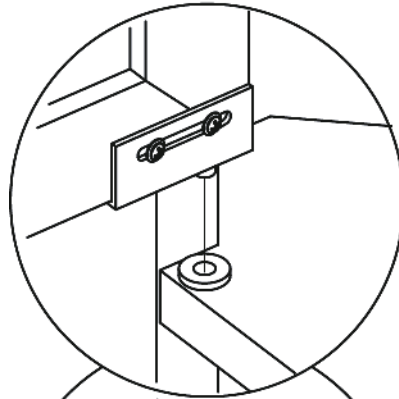
Insert the pivot hinge plate underneath the center panel and attach the left cabinet door (12) to the cabinet.



(P) 1x

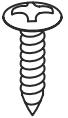





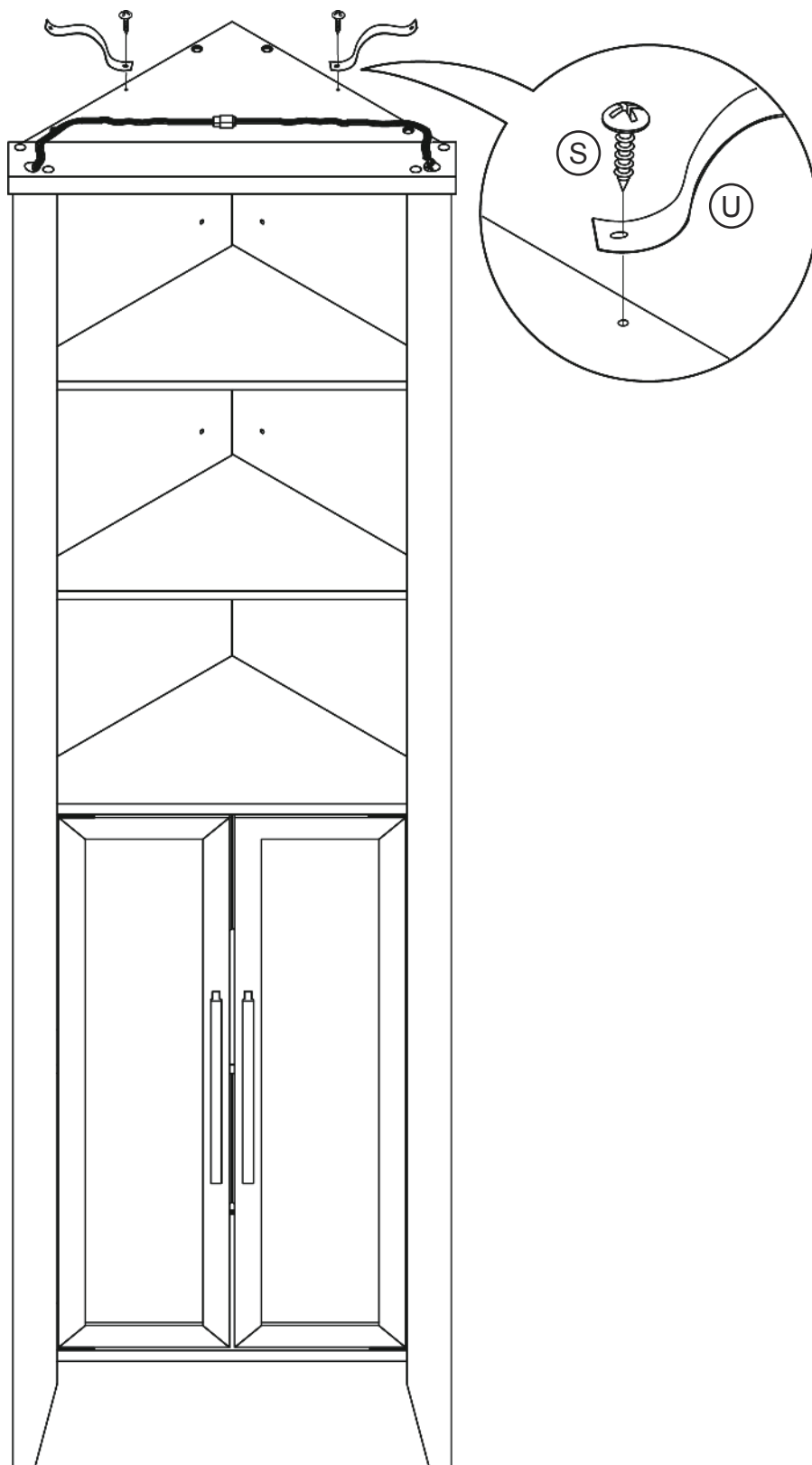
(Q) 2x



23

Attach anti-tipping straps on top of the cabinet.

-  Ø4 x 15
-  (S) 2x
- 
-  (U) 2x

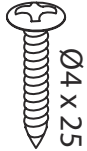


24

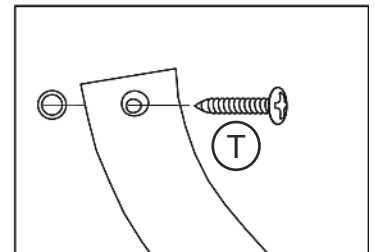
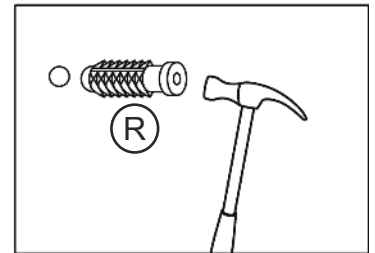
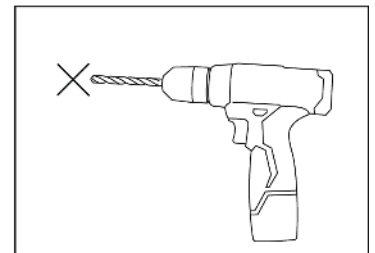
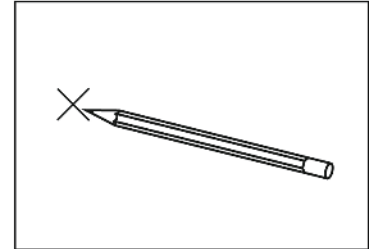
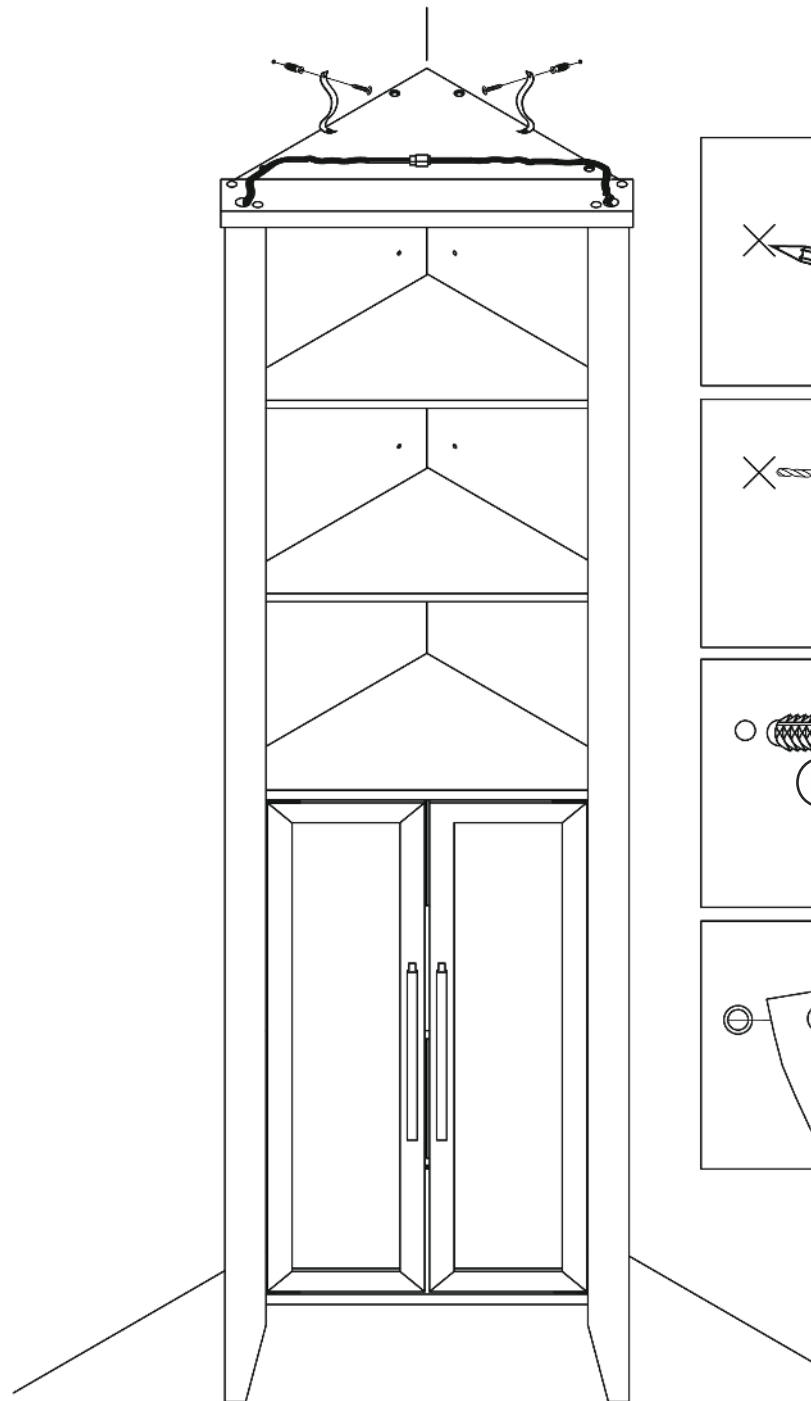
Affix the cabinet to the wall.



(R) 2x



(T) 2x

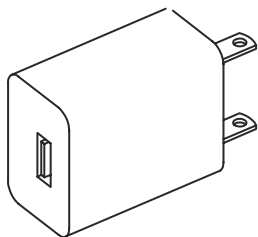


Furniture must permanently fixed to the wall stud with included anti-tipping device to prevent the furniture from tipping over.

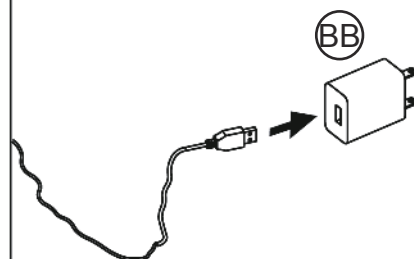
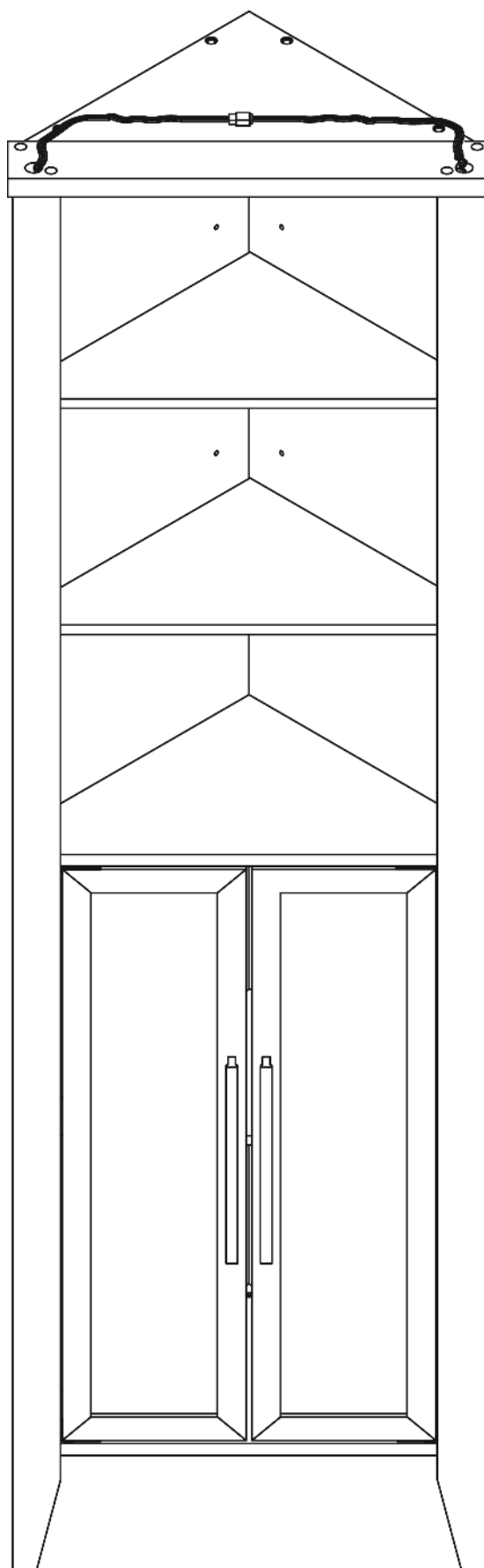
- Mark the drill position on the wall with a pencil.
- Drill a small hole on the marked position.
- Insert a wall anchor into the drilled hole.
- Fixed the anti-tipping strap to the wall with provided screws.

25

Plug the power cord to a power brick and to the power outlet.

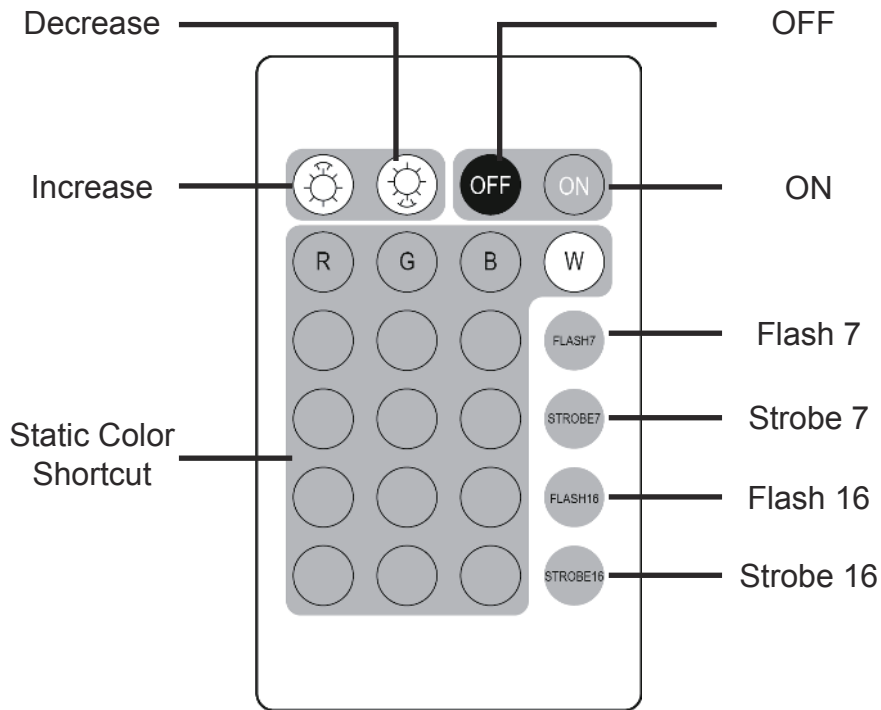


Ⓟ 1x



YOU'RE FINISHED!

USER INSTRUCTION (REMOTE CONTROL)



ON

Press the ON button to turn on the light.

OFF

Press the OFF button to turn off the light.

Static Color Shortcut

Each button is assign to a color, press the button to select your desire color.

Increase

Press the increase button to increase brightness in static color mode.
Press the increase button to increase effect speed in light effect mode.

Decrease

Press the increase button to decrease brightness in static color mode.
Press the increase button to decrease effect speed in light effect mode.

Flash 7

Press the button to enable spectrun cycle mode.
The colors will cycle between red, green blue, orange, cyan, violet, and white.

Strobe 7

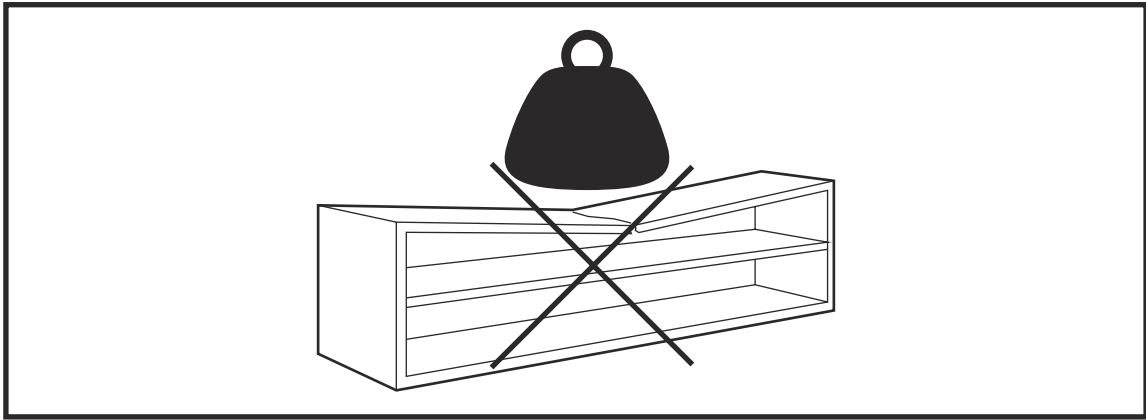
Press the button to enable color breathing mode.
The colors will cycle between red, green blue, orange, cyan, violet, and white.

Flash 16

Press the button to enable spectrun cycle mode.
The colors will cycle between all 16 colors.

Strobe 16

Press the button to enable color breathing mode.
The colors will cycle between all 16 colors.

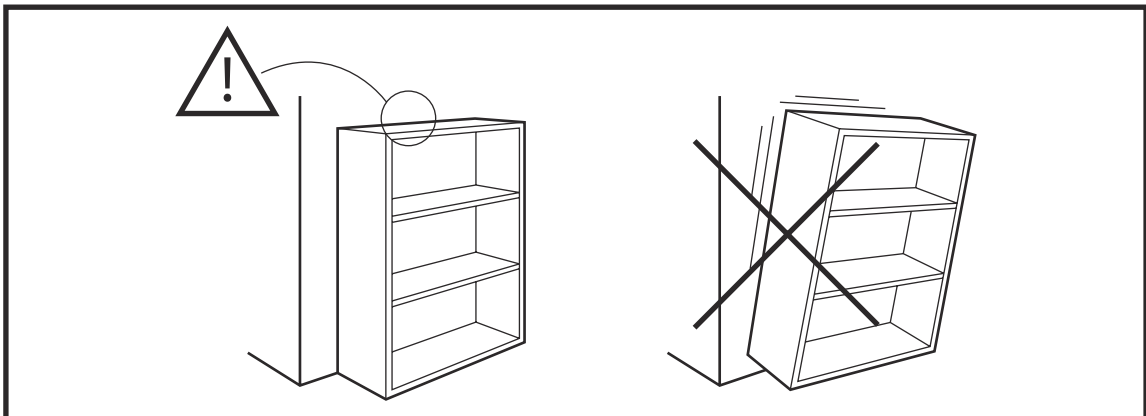


Warning

Only place items on top of the product if they meet the recommended size and weight limits.

Climbing on, stepping on, or placing overweighted objects on the product may cause property damage and/or injuries.

Items placed onto this product must be resting on a support surface without hanging over the edges.



Warning

Serious or fatal crushing injuries may occur if the furniture tip-over. Furniture must permanently affixed to the wall with included anti-tipping device in order to prevent the furniture from tipping over.

Different wall materials requires different types of wall anchors or screws. Use a suitable wall anchors or screws for your specific wall in order to secure the stability and load bearing capacity of the furniture. If you are uncertain about which type of device to use, please contact us or your local hardware store.

BELLEZE®

FURNITURE CARE AND MAINTENANCE

Medium - Density Fiberboard

Thank you for your purchase. We want your item to last as long as possible. To ensure the product gives you years of longevity, please follow the recommendations in this care and maintenance guide.



MAINTENANCE

- Tighten all bolts and screws again within the first 2 weeks of assembly.
- Check the tightness of all bolts every 2 months and tighten them if necessary.



CLEANING

- Clean the surface of the MDF (medium - density fiberboard) with a lightly dampened cloth.
- A small amount of mild soap can be used if necessary.
- Dry the surface immediately after cleaning.

- ⚠ DO NOT use bleach or alcohol to clean the surface.
- ⚠ DO NOT apply wood treatment on parts made with MDF.

MDF will swell and distort when exposed to water damage. Make sure to dry the furniture immediately after cleaning.

⚠ WARNING

The manufacturer and seller are not responsible for any and all liability relating to personal injury, property damage or losses, whether direct, indirect, or incidental, resulting from the incorrect attachment, improper use, inadequate maintenance, unapproved modification or neglect of this product.

© All copyright of this document belongs to BELLEZE .
This document may not be printed, translated, reproduced, or distributed in whole or in part without written permission from BELLEZE.

WARRANTY

BELLEZE products come with a 1-year warranty from the date of delivery.
Register your product on our website to enjoy our limited lifetime warranty!



AFTER-SALE SERVICE



Encounter any difficulties or missing parts?



Contact us at **1-800-682-6376** or email us at **support@belleze.com**



We will send you replacement.



Hassle free!
No need to worry about repackaging and sending your item back.

We hope you enjoy your new BELLEZE furniture!
Share your photos on Instagram and tag us: @bellezefurniture.

FOLLOW US:



@bellezefurniture

CONTACT INFO:

support@belleze.com
1-800-682-6376

BELLEZE®