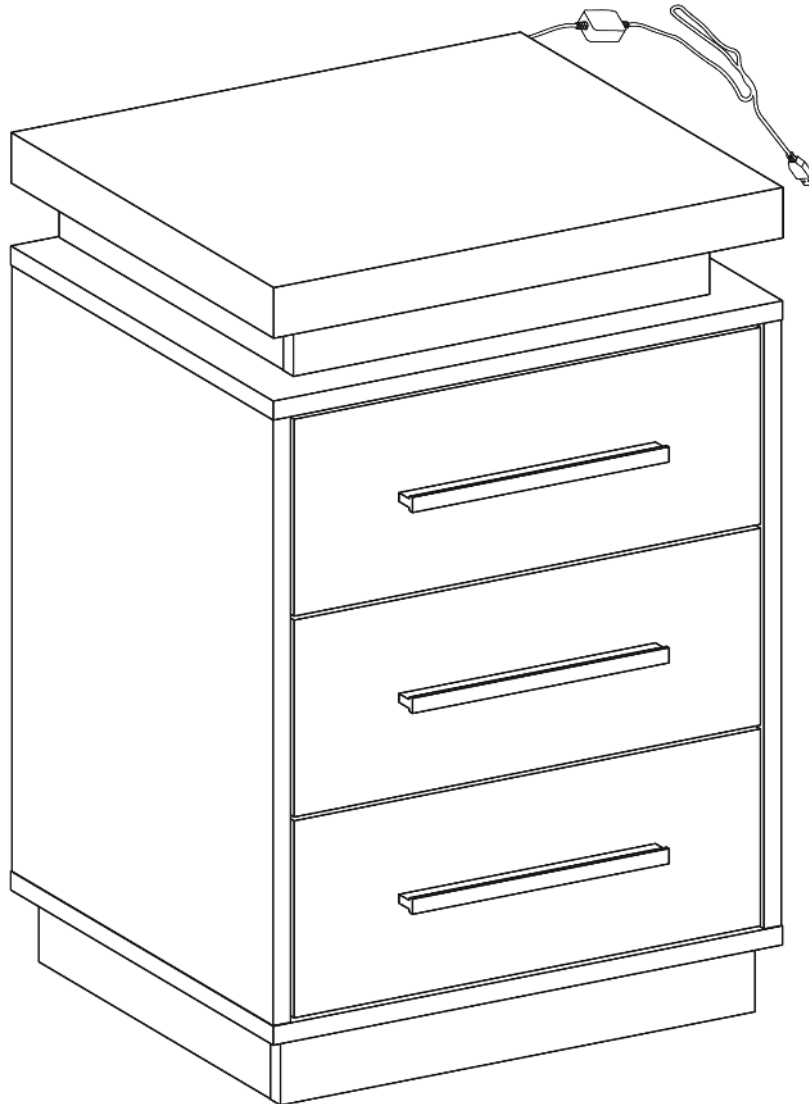


Zoey Accent Table (2)



BELLEZE[®]

FOLLOW US:



@bellezefurniture

CONTACT INFO:

support@belleze.com
1-800-682-6376

ITEM NO. 014-HG-41303

The instruction booklet contains **IMPORTANT** safety information. Please read it in full and keep it for future reference.

www.belleze.com

Scan this QR Code
to view our online tutorial



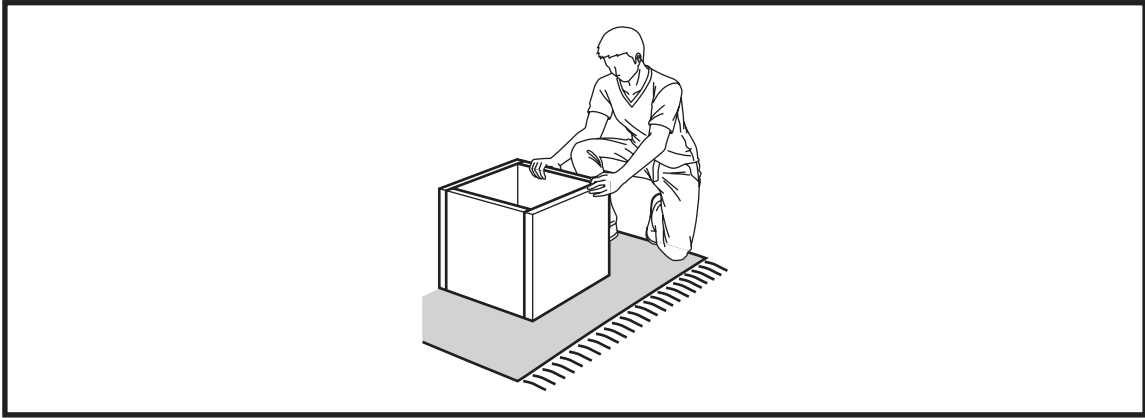
Estimated time for assembly:

120 mins



Weight limitations are as follows:

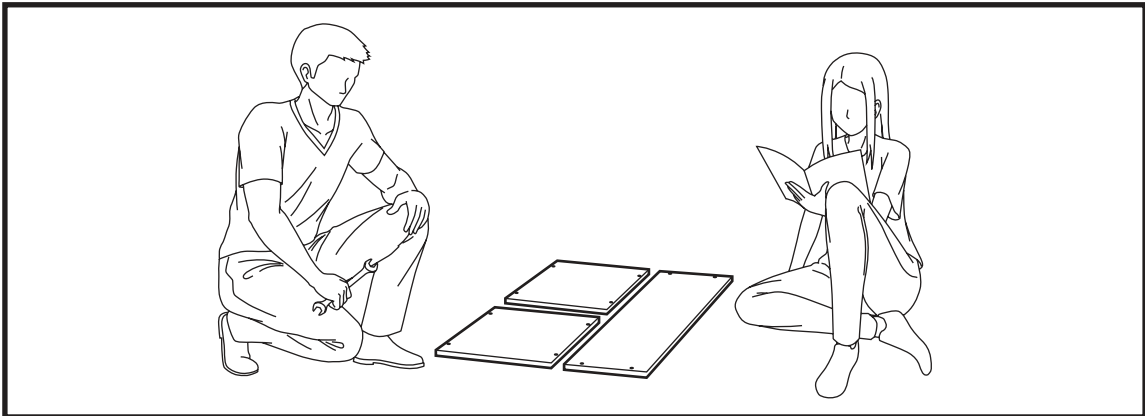




Assemble the furniture on an empty carton, carpet, or rug to prevent scratches or damage.

For safety, please keep pets and children away from the assembly area.

Ensure the product is fully assembled before use. If you are missing any hardware or products, do not use it until you have restored the missing parts.



This furniture requires 2 people for assembly.

Read this instruction manual prior to assembly to familiarize yourself with the various steps.

Lay out all components and hardware separately on a flat surface and make sure that no parts are missing or damaged before assembly. Do not destroy or discard any packaging until you are certain that you have all the necessary parts for assembly.

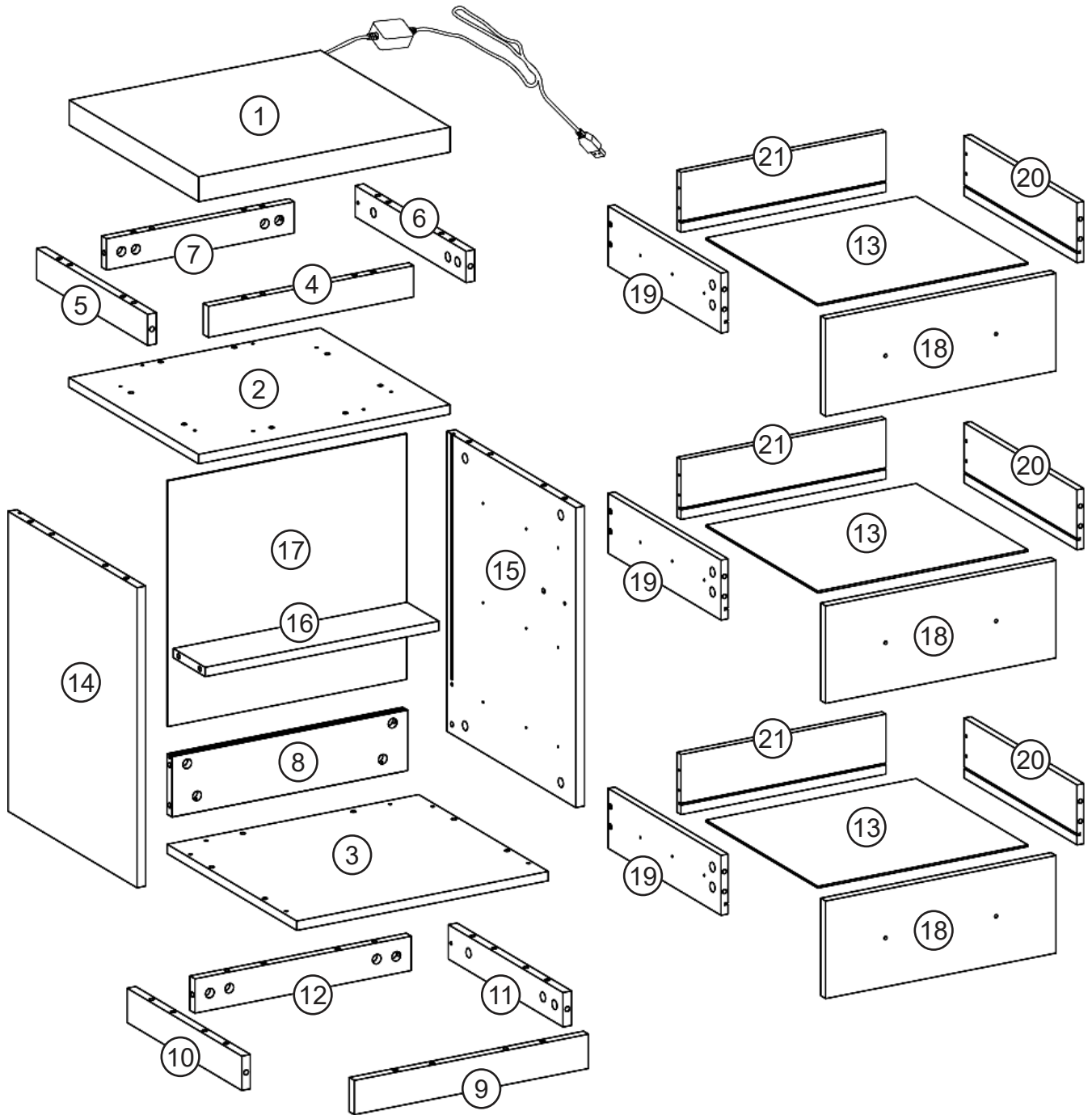
Hand tight all hardware and careful not to over tighten to avoid damaging the product.

CAUTION

There are small components used in the construction of this product. Loose items should be kept away from pets and children to avoid a choking hazard.

Keep all plastic bags and packaging film away from pets and children to avoid suffocation.

PACKAGE CONTENTS



PACKAGE CONTENTS



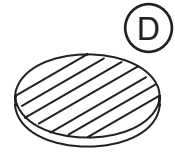
100x + 4x



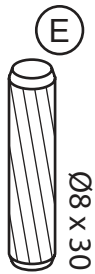
76x + 4x



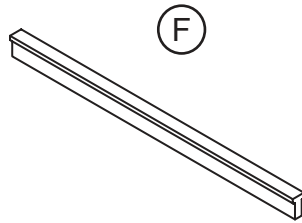
24x + 2x



100x + 4x



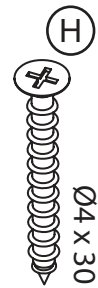
76x + 4x



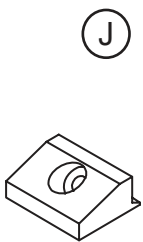
6x



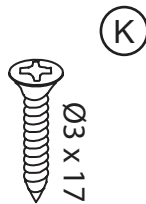
12x



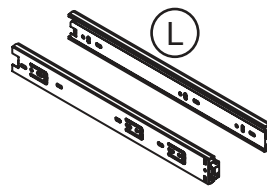
40x + 4x



8x



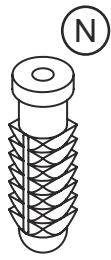
8x



6x



72x + 4x



4x



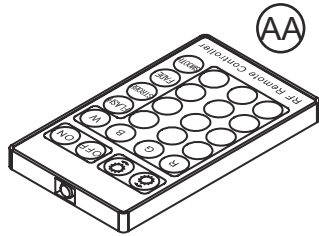
4x



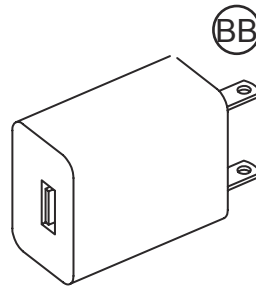
4x



4x



1x

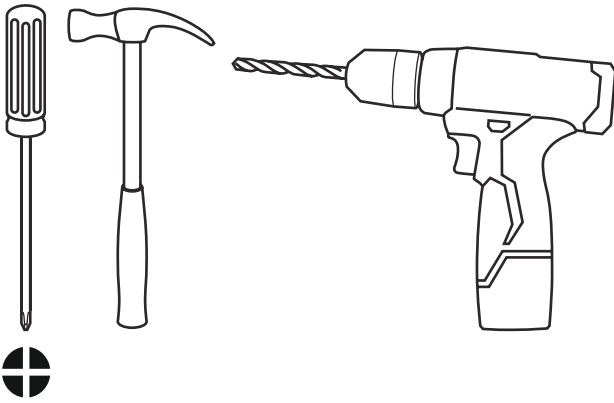


2x



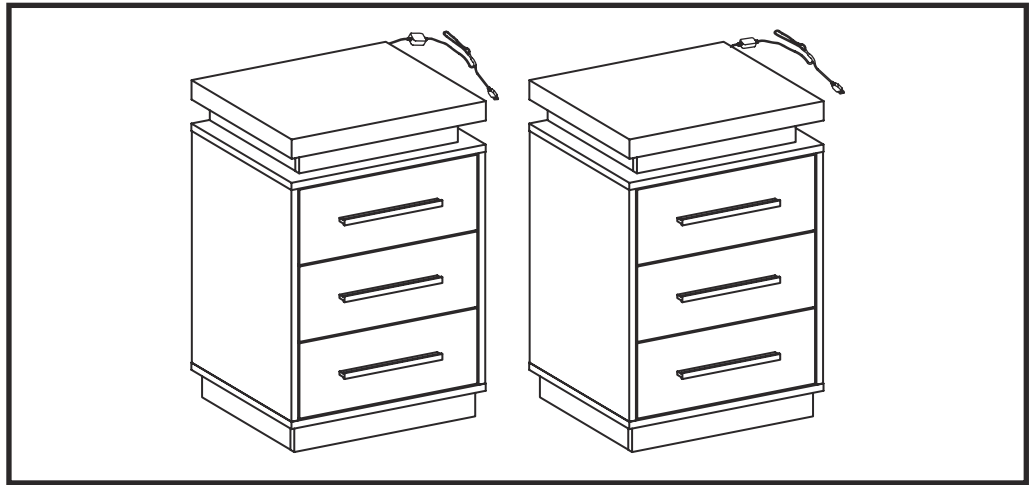
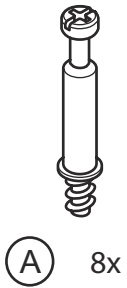
Install all hardware perpendicular to the opening.

Required tools for assembly (Not included)

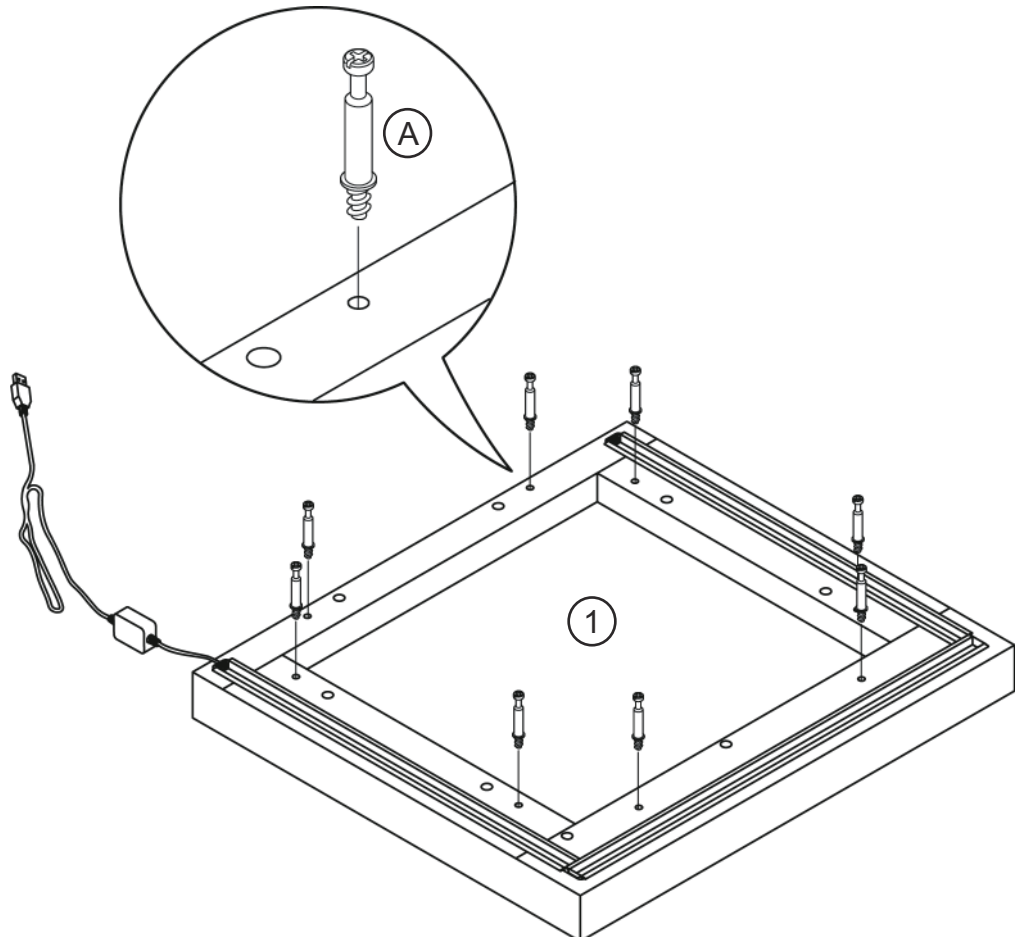


1

Attach cam bolts to the underside of the top panel (1).

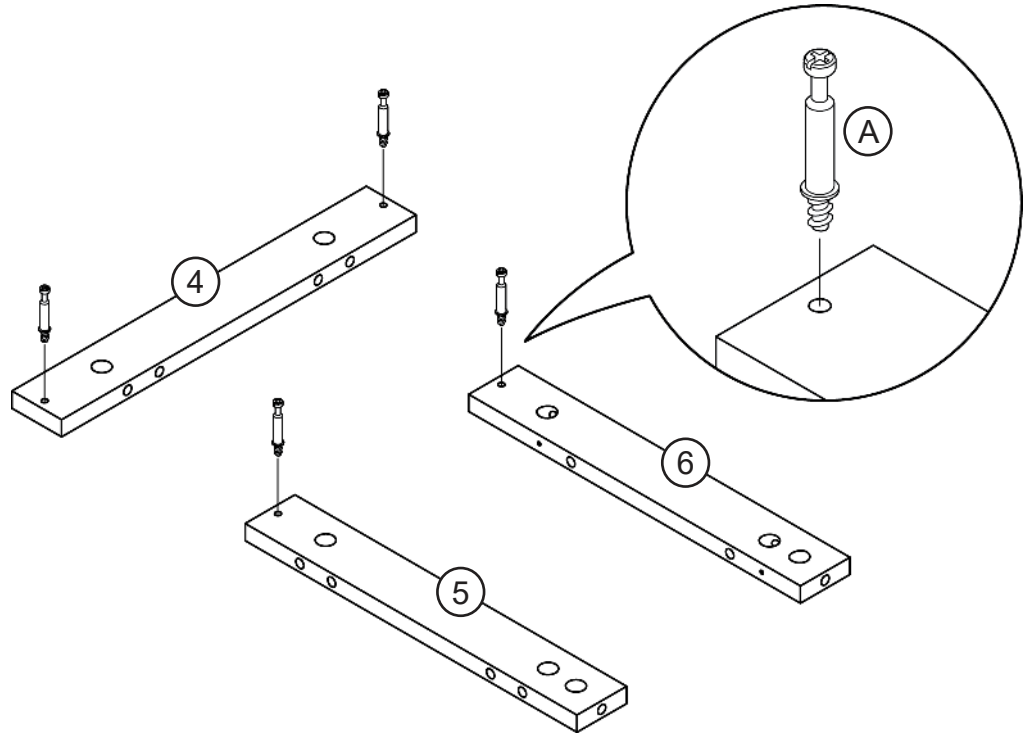
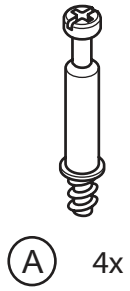


Assemble 2 tables in total.



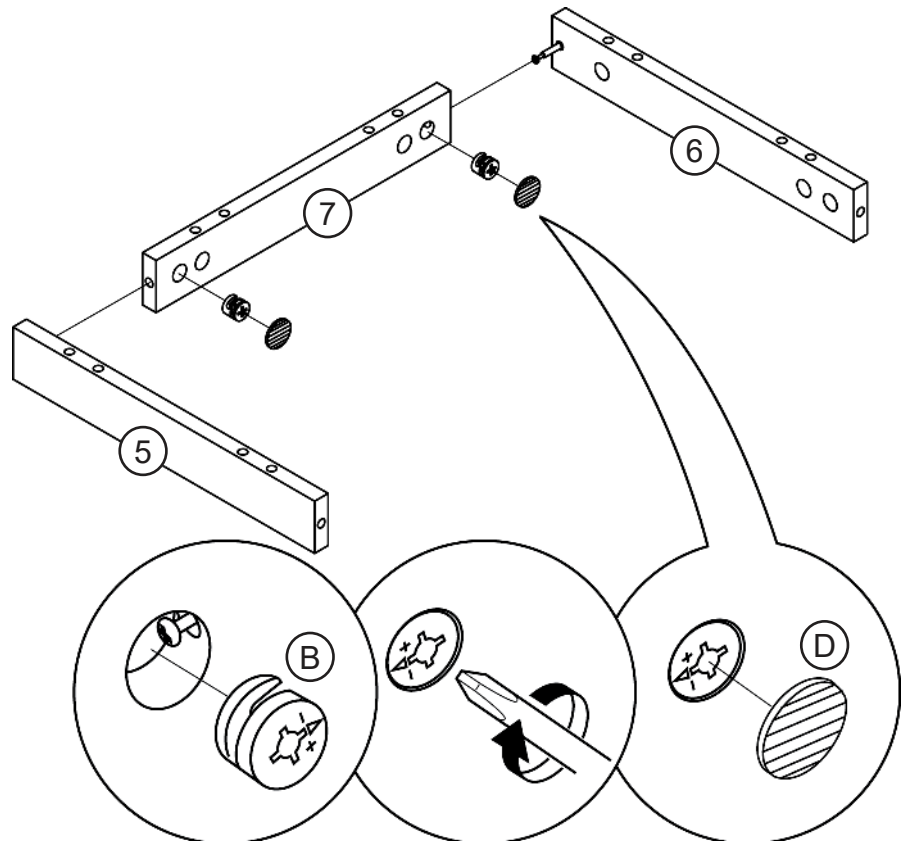
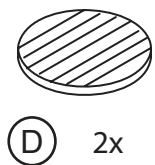
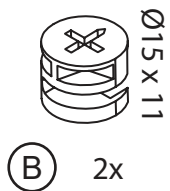
2

Attach cam bolts to the upper front, upper left, and upper right support panels (4, 5, 6).



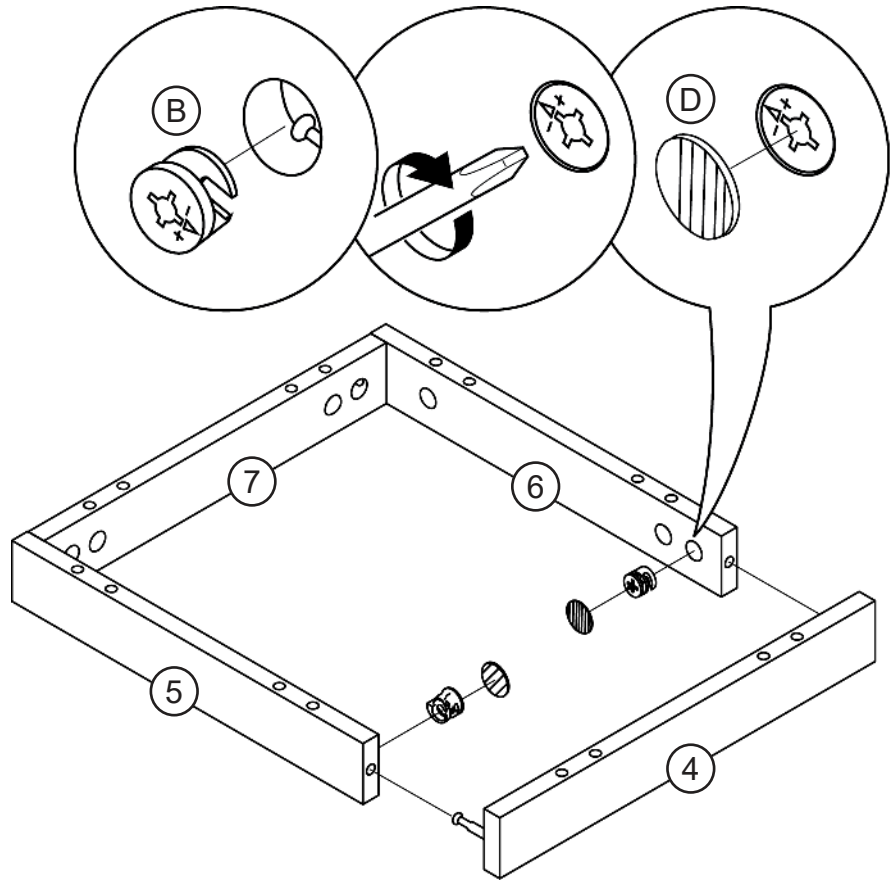
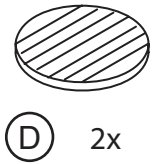
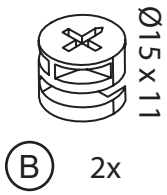
3

Assemble the upper back support panel (7) between the upper left and right support panels (5, 6).



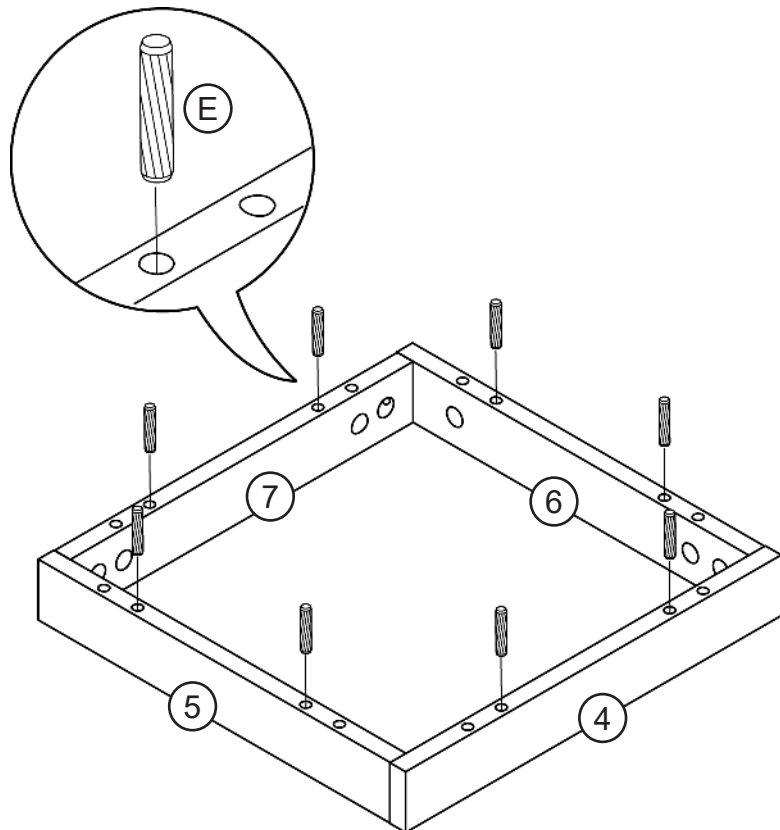
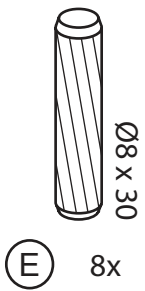
4

Assemble the upper front support panel (4) to the upper support assembly.




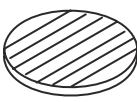
5

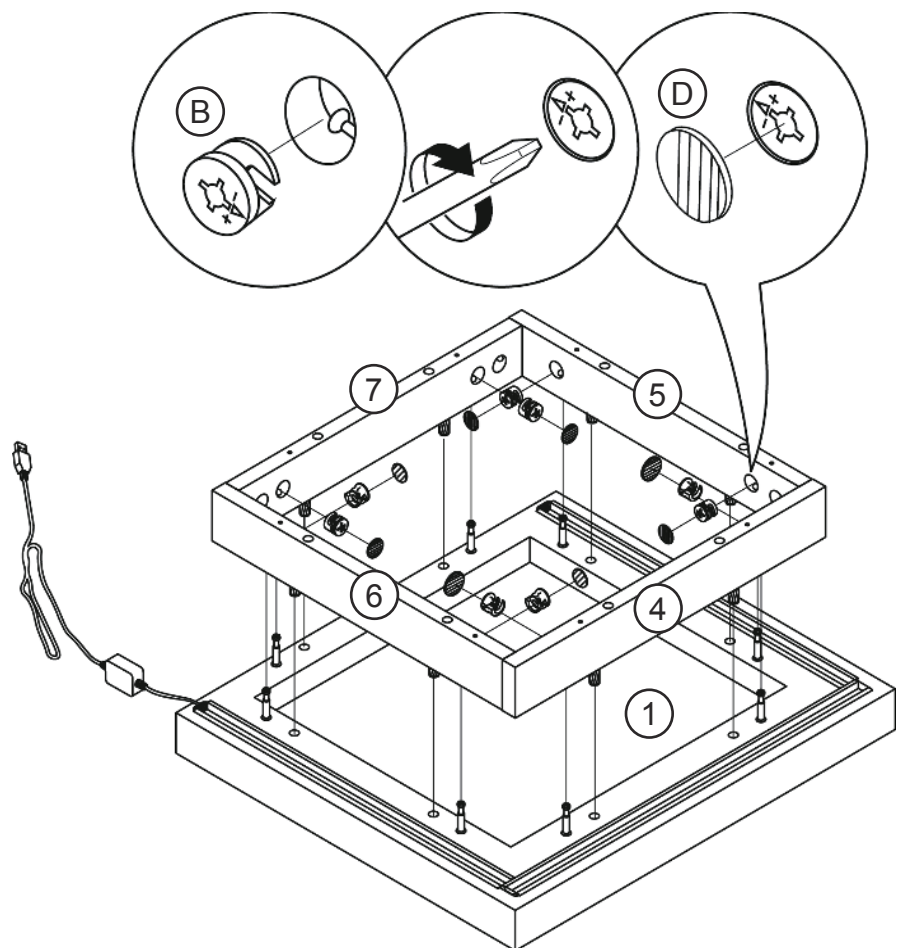
Insert wood dowels to the upper support assembly.



6


Assemble the upper support assembly underneath the top panel.

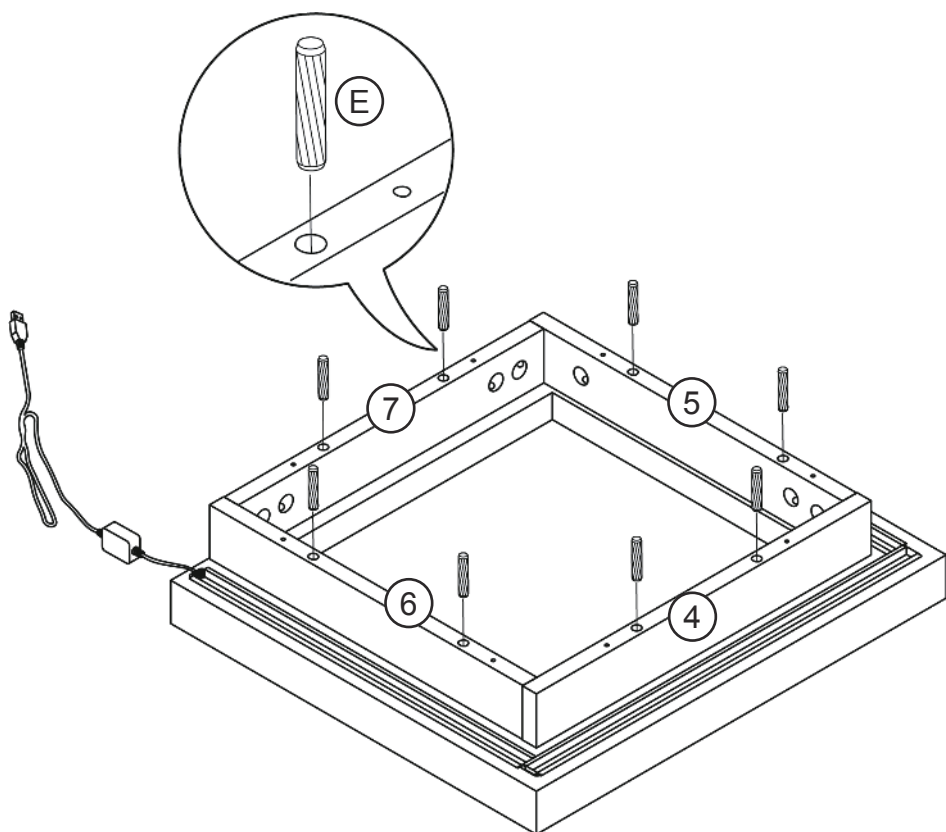
-  Ø15 x 11
B 8x
-  D 8x



7

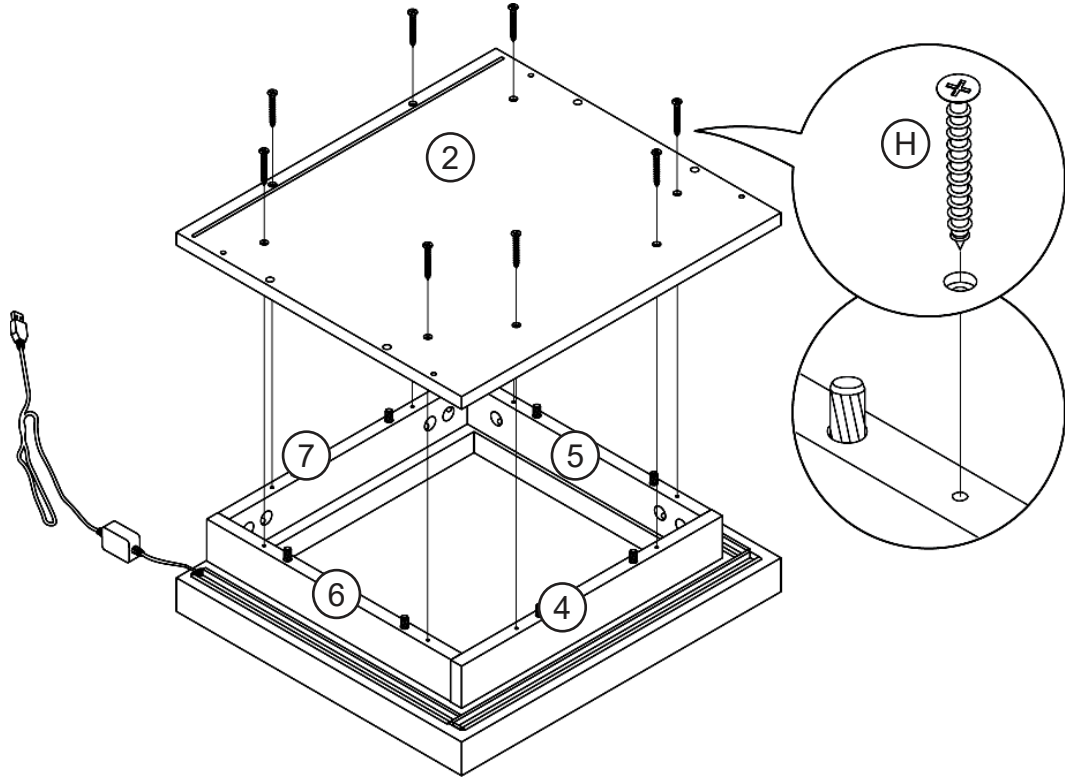
Insert wood dowels to the upper support assembly.

-  Ø8 x 30
E 8x



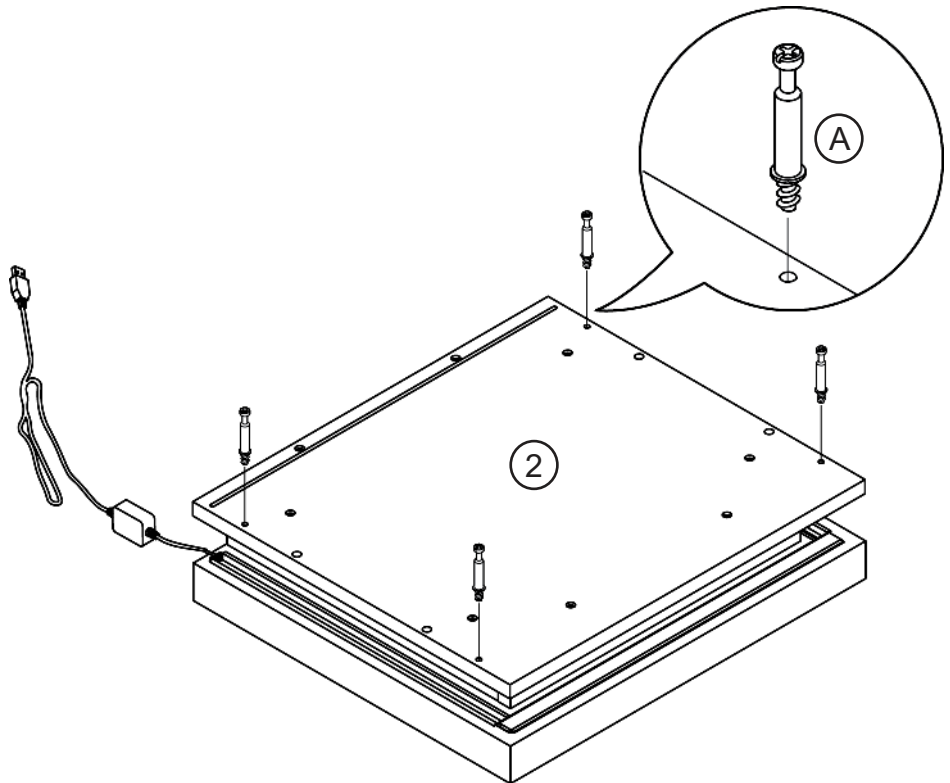
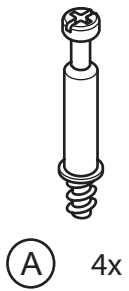
8

Assemble the center panel (2) to the underside of the upper support assembly.



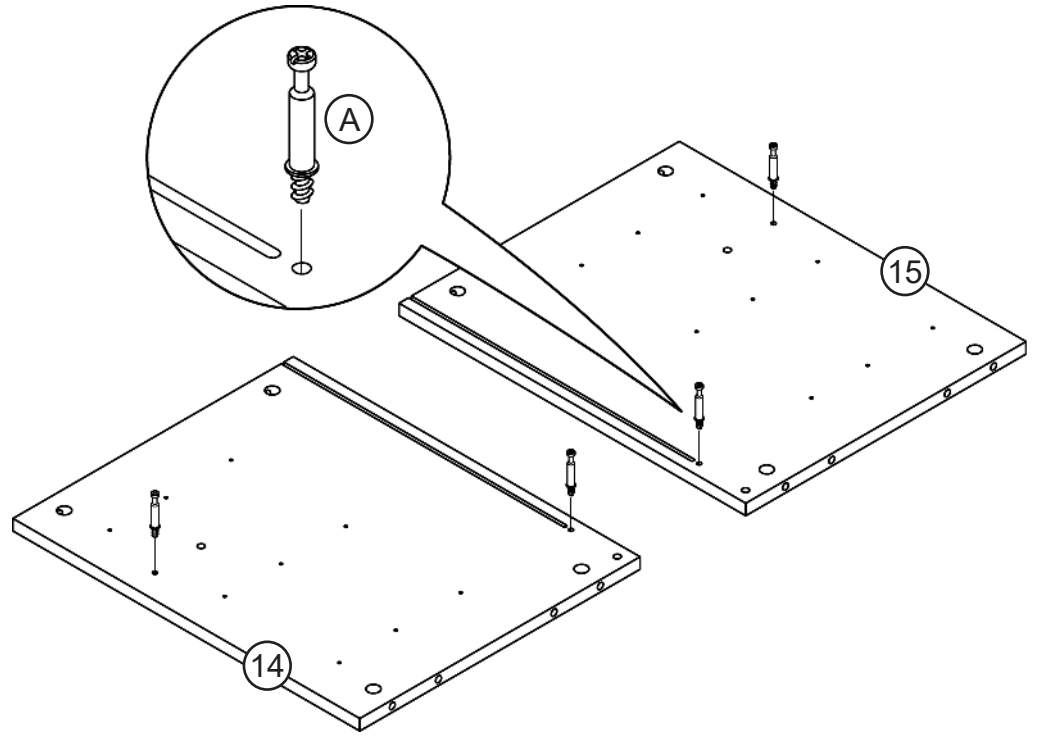
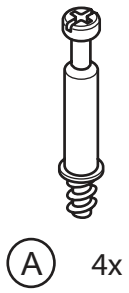
9

Attach cam bolts underneath the center panel (2).



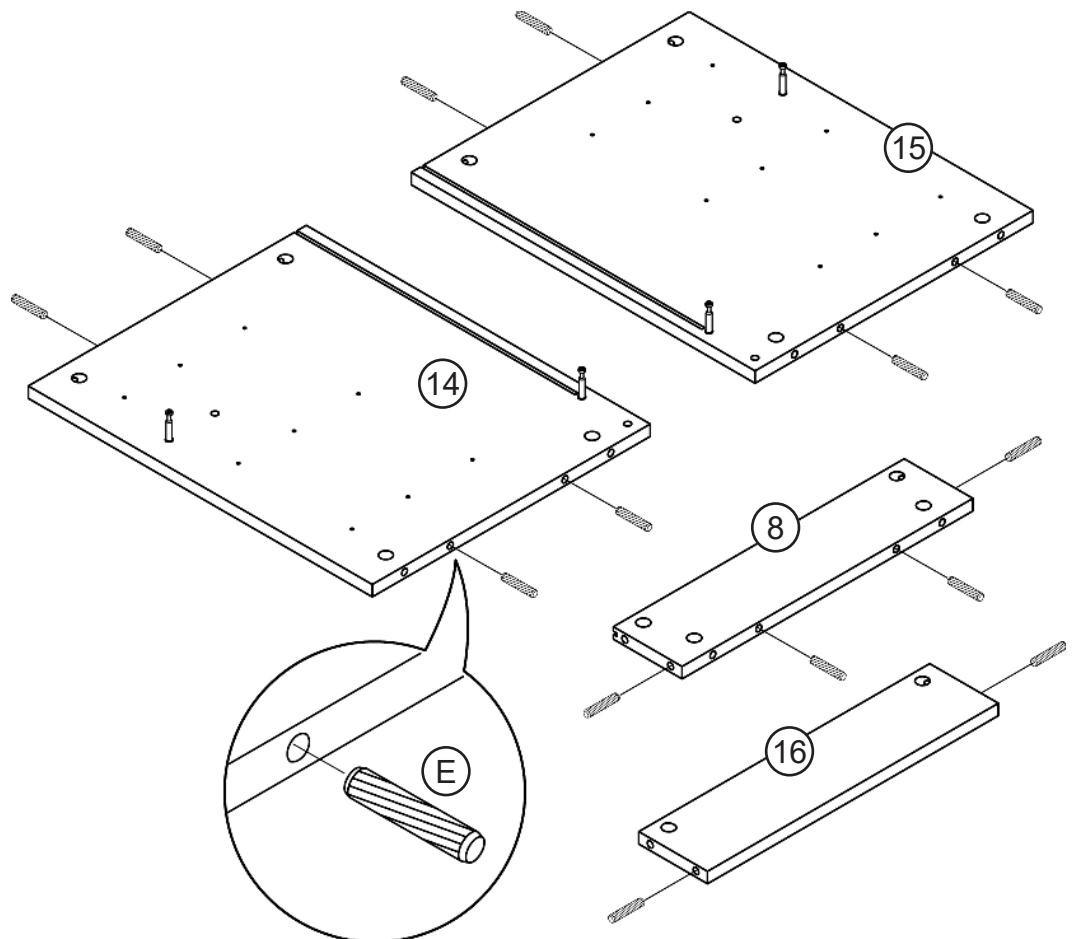
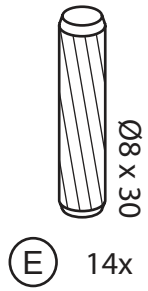
10

Attach cam bolts to the left and right panel (14, 15).



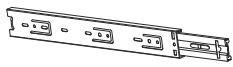
11

Insert wood dowels to the back crossbar (8), center crossbar (16) and the left and right panels (14, 15).



12

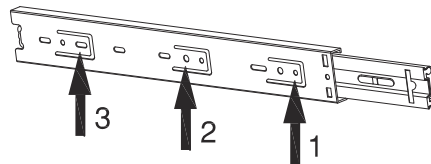
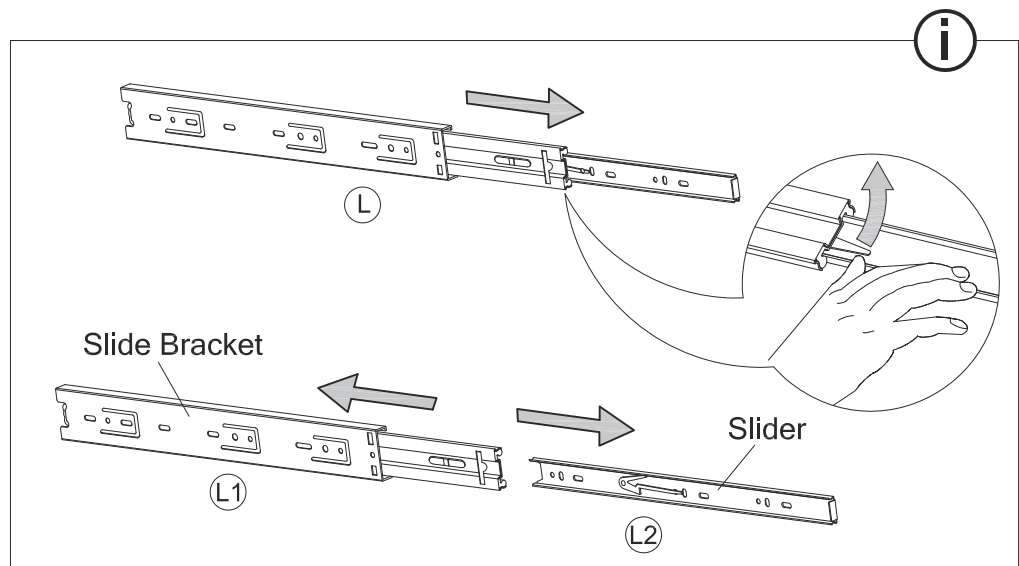
Detach the drawer slider (L2) from the slide bracket (L1) by unlatching the lever. Attach drawer slider brackets (L1) to the left and right panel (14, 15).



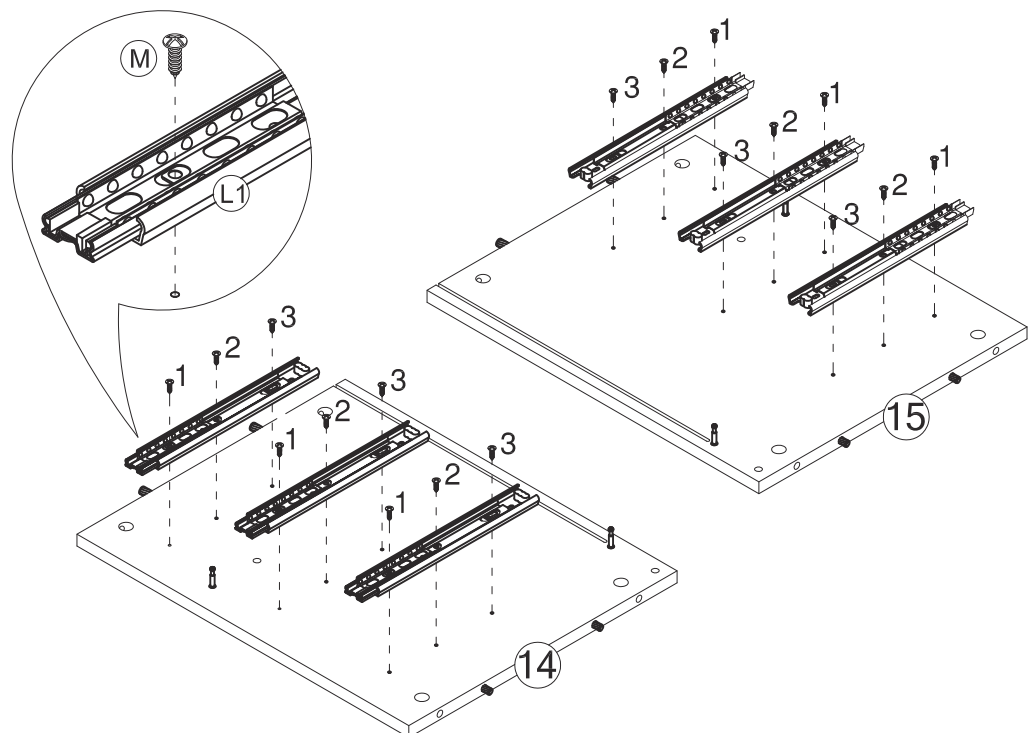
(L1) 6x



(M) 18x

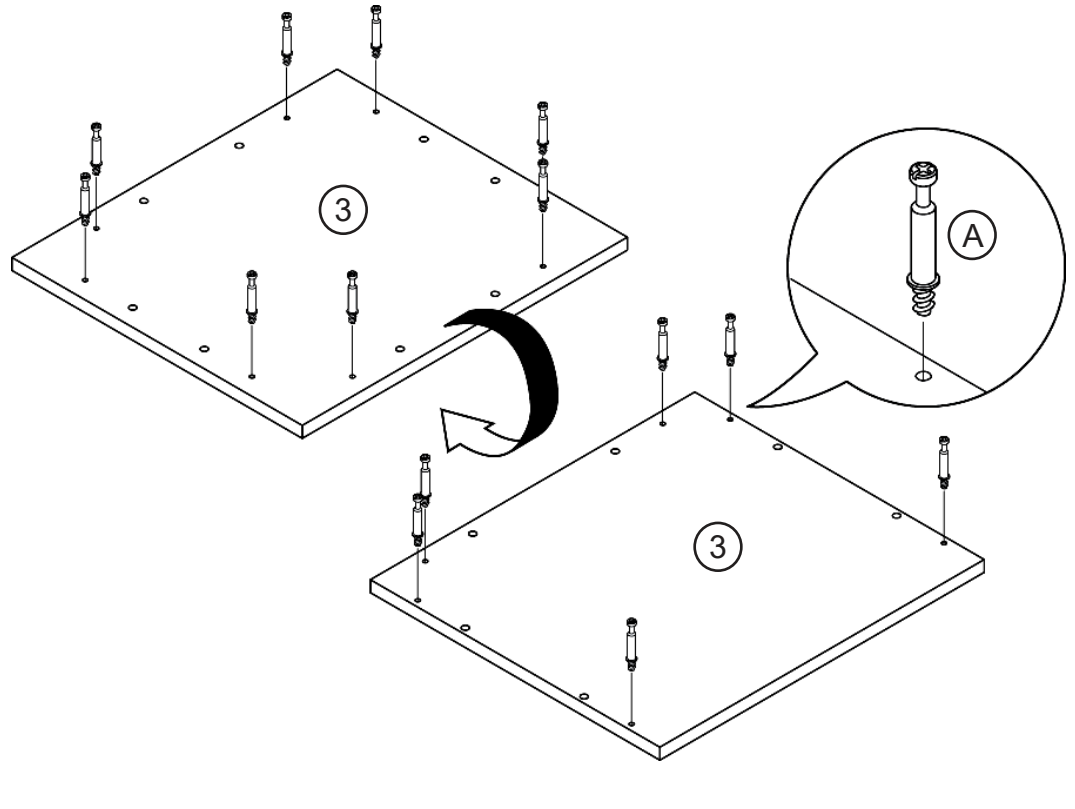
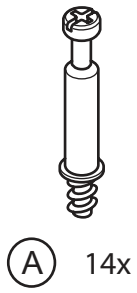


Make sure to insert screws in the correct opening.



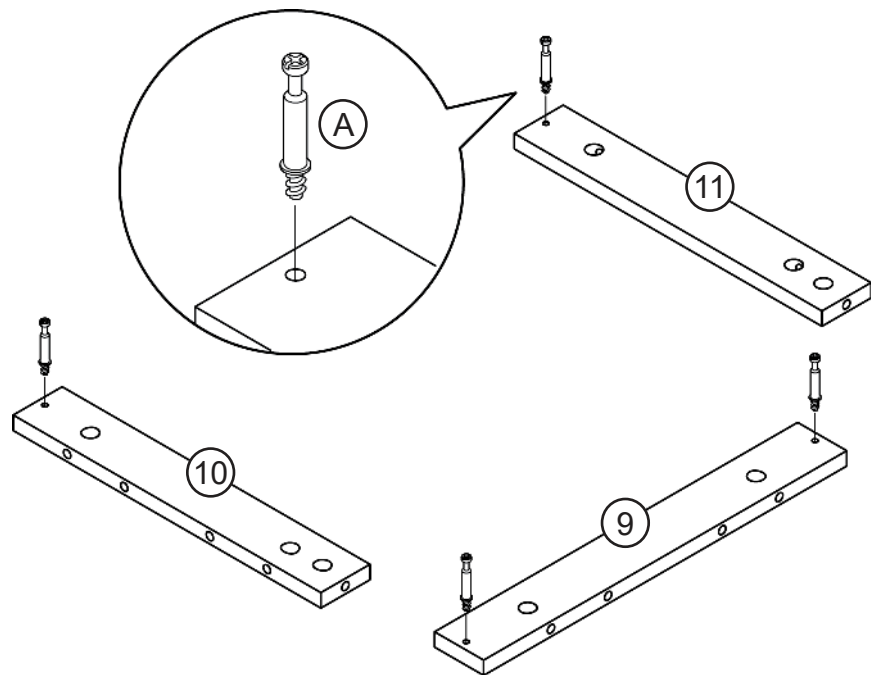
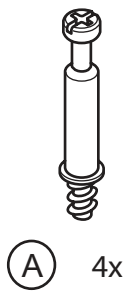
13

Attach cam bolts to both sides of the bottom panels (3).



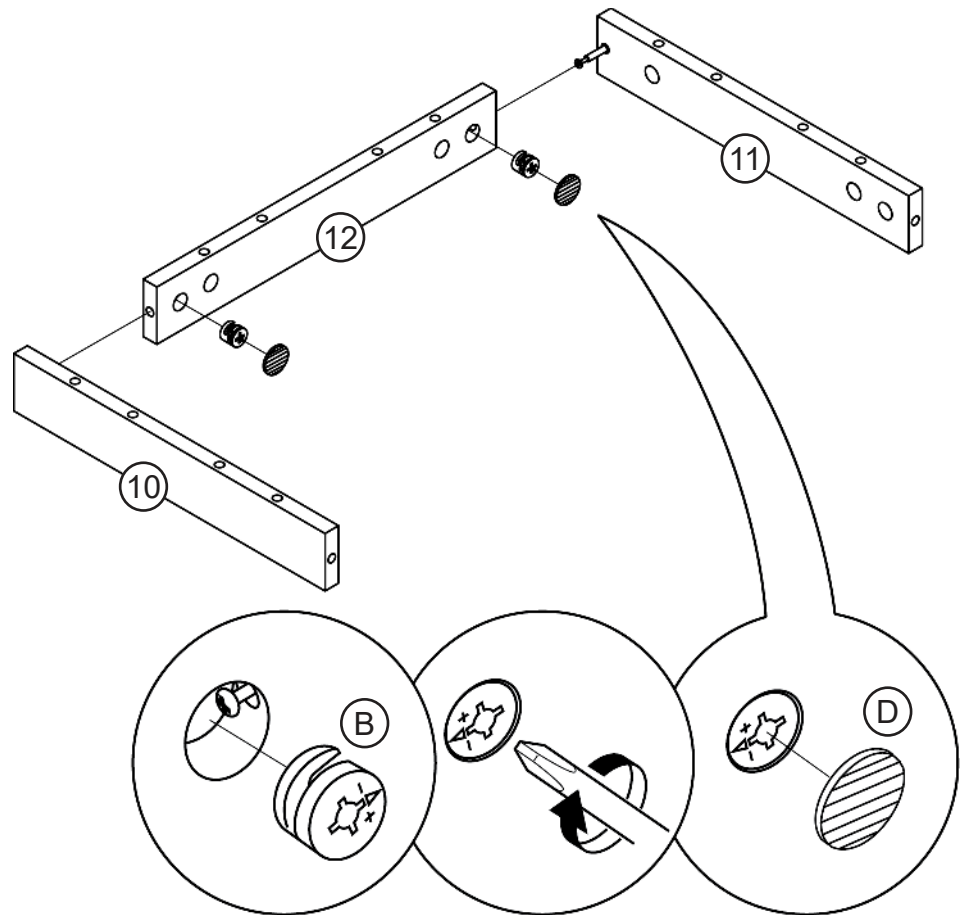
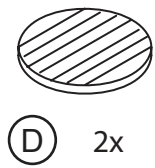
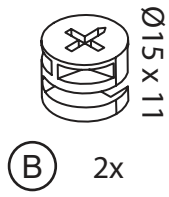
14

Attach cam bolts to the base front, left, and right panels (9, 10, 11).



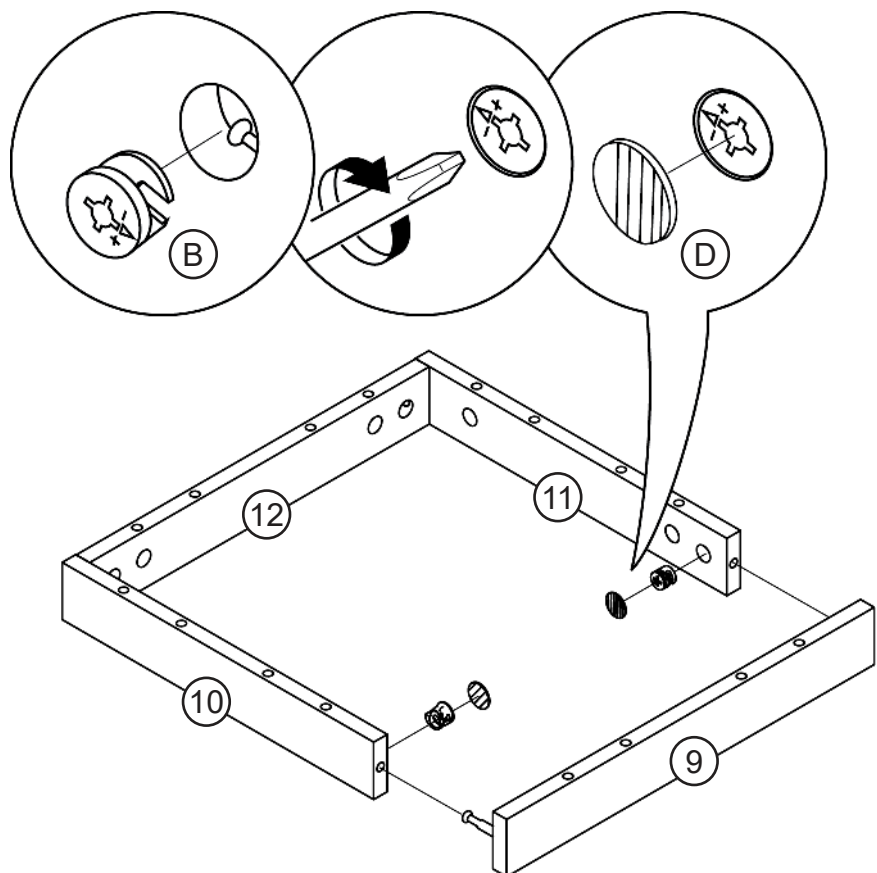
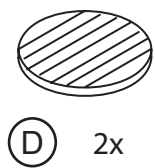
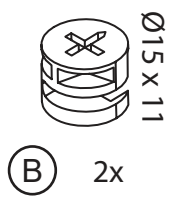
15

Assemble base back panel (12) between the base left and right panels (10, 11).



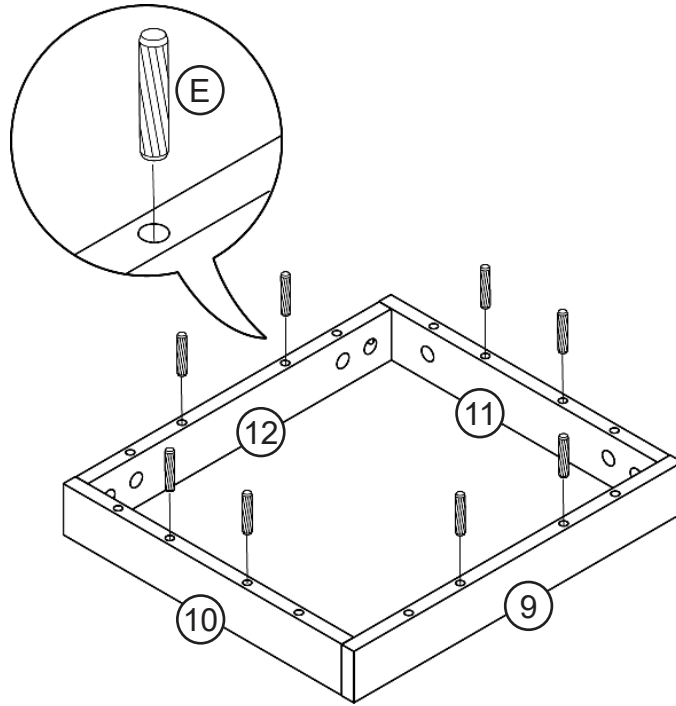
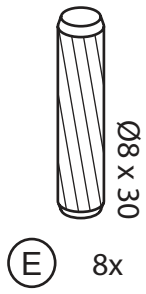
16

Assemble the base front panel (9) to the base assembly.



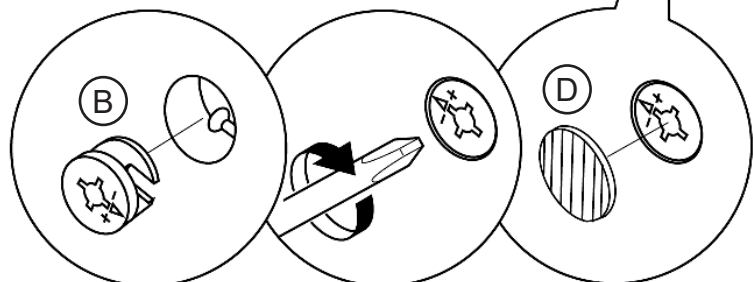
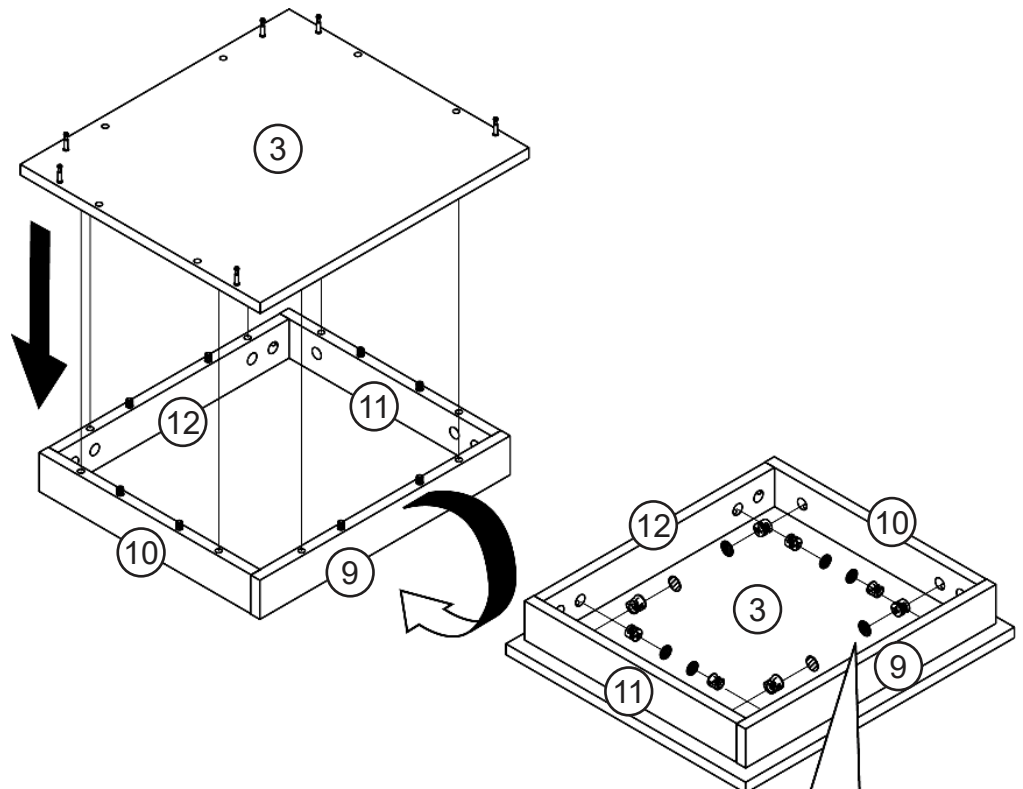
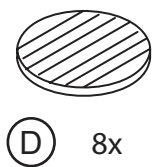
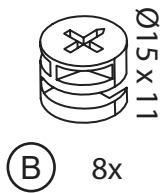
17

Insert wood dowels to the base assembly.



18

Assemble the bottom panel (3) on top of the base.

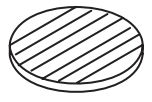


19

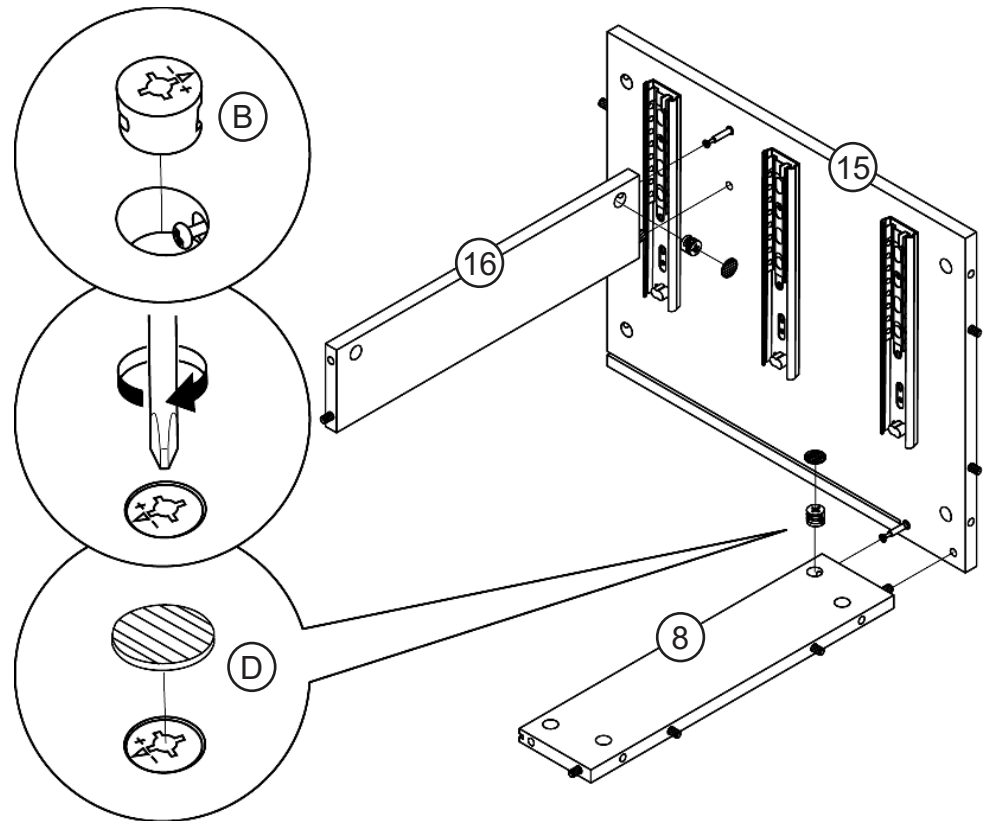
Assemble the back crossbar (8) and the center crossbar (16) to the right panel (15).



(B) 2x



(D) 2x

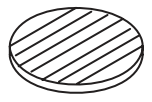


20

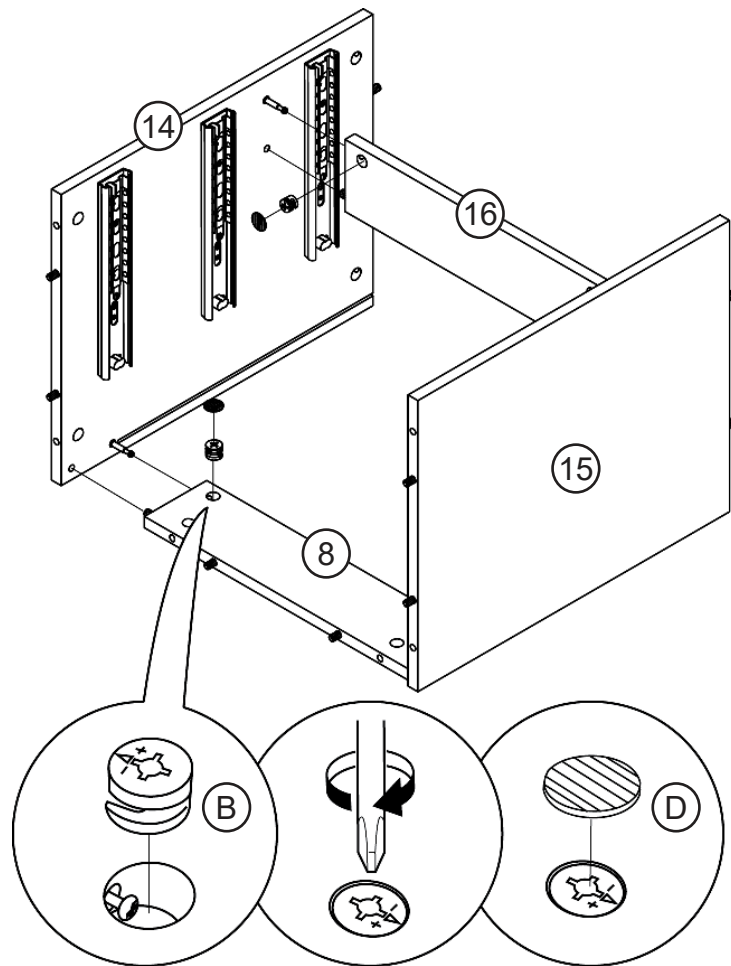
Assemble the back crossbar and center crossbar to the left panel (14).



(B) 2x

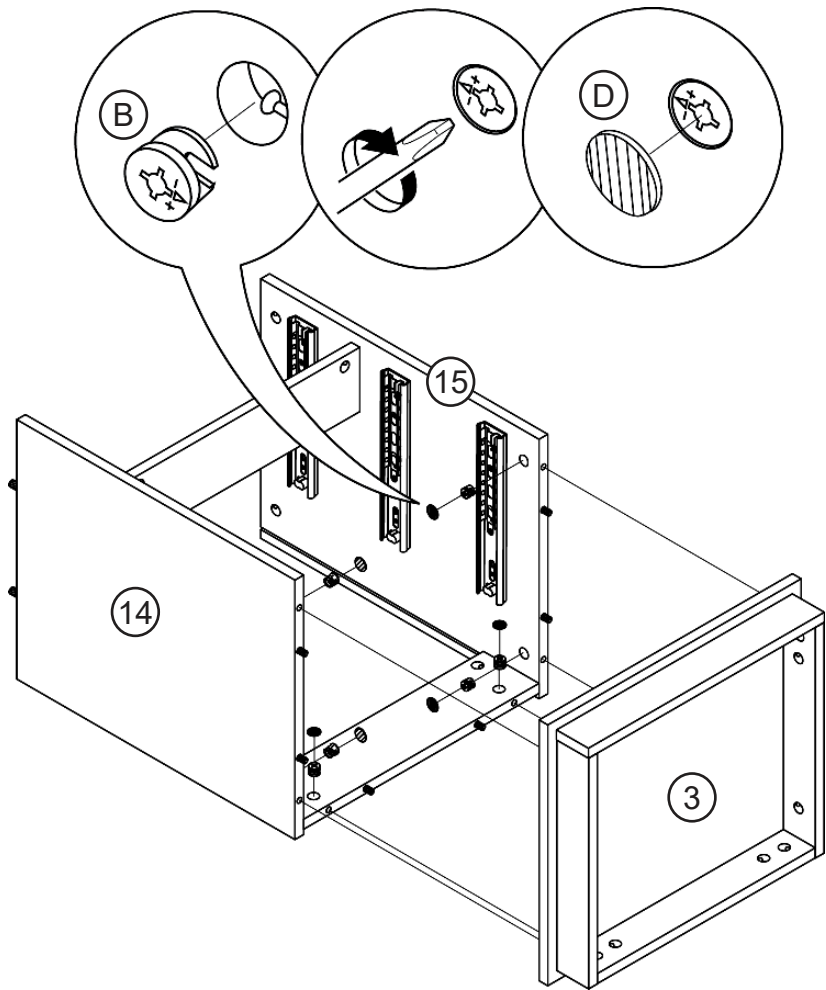
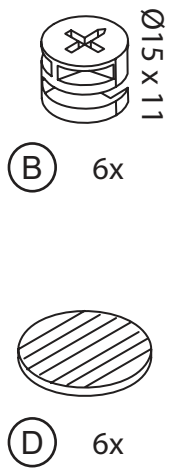


(D) 2x



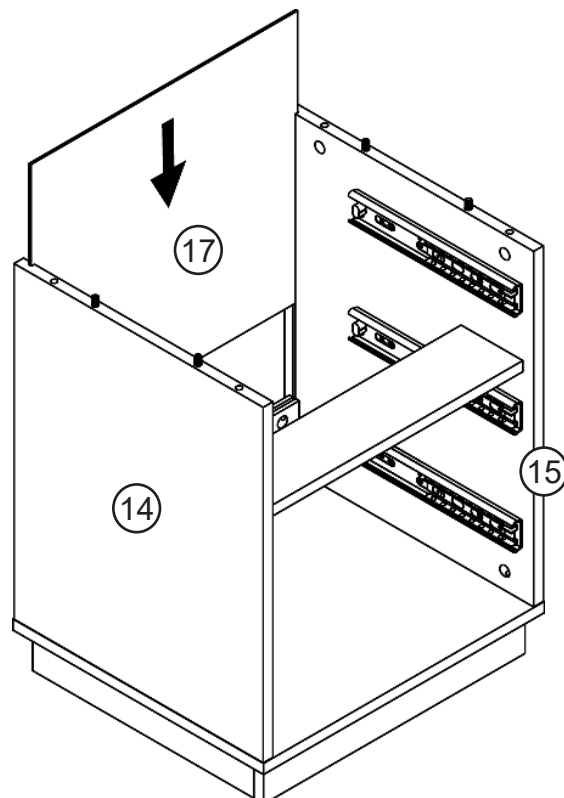
21

Assemble the left and right panels on top of the bottom panel.



22

Insert the back panel (17) between the left and right panels.

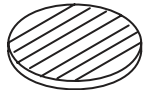


23

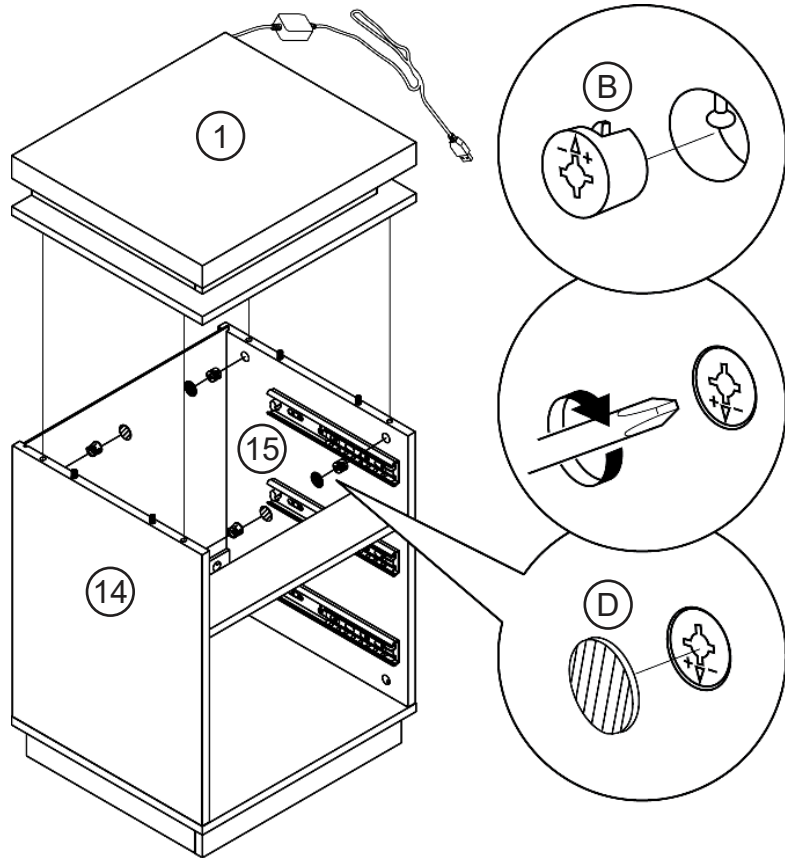
Assemble the top assembly to the side panels.



(B) 4x

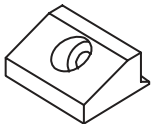


(D) 4x

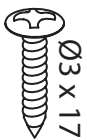


24

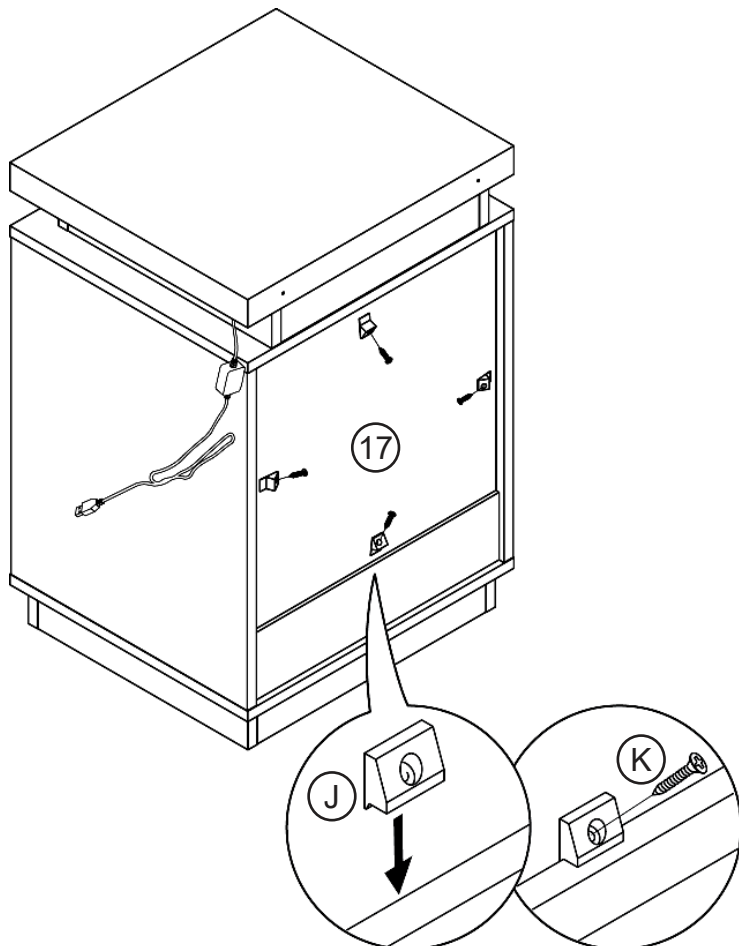
Secure the back panels in place.



(J) 4x

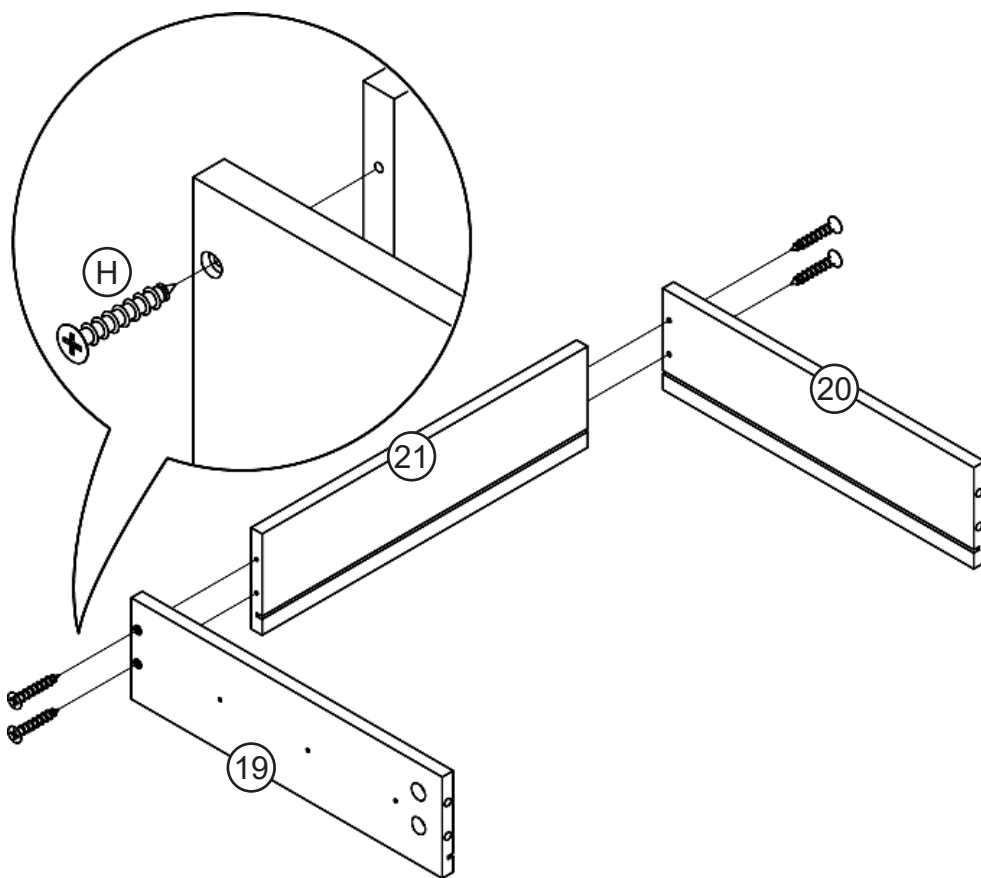
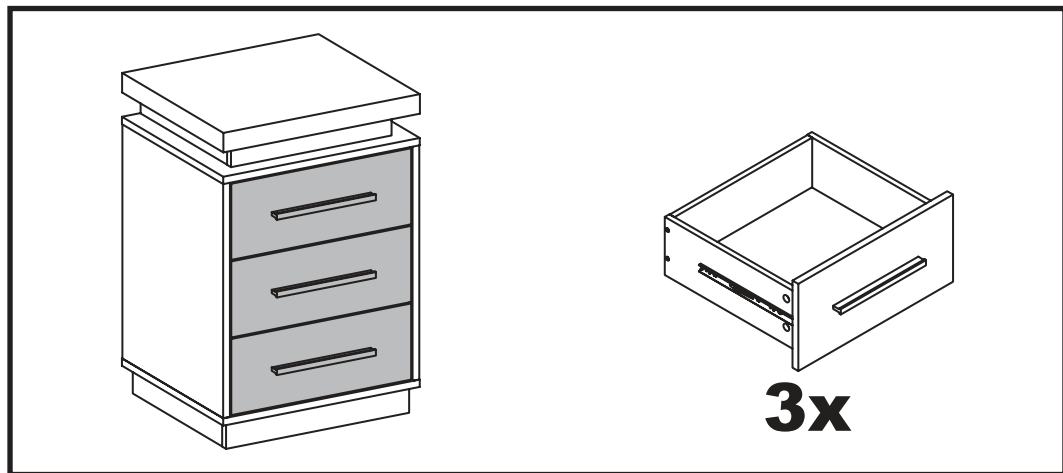


(K) 4x



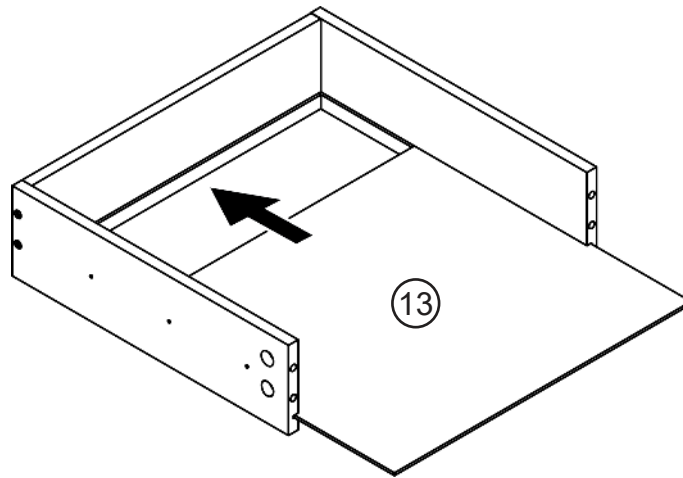
25

Assemble the drawer back panel (21) between the drawer left and right panels (19, 20).



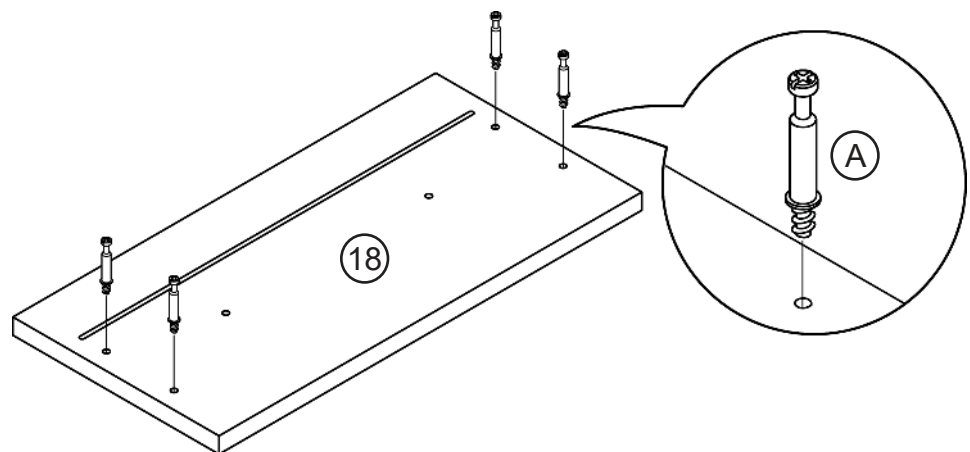
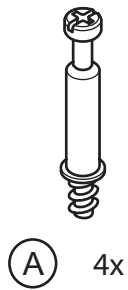
26

Insert the drawer bottom panel (13) between the drawer side panels.



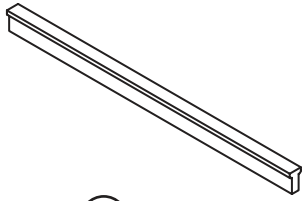
27

Attach cam bolts to the drawer front panel (18).



28

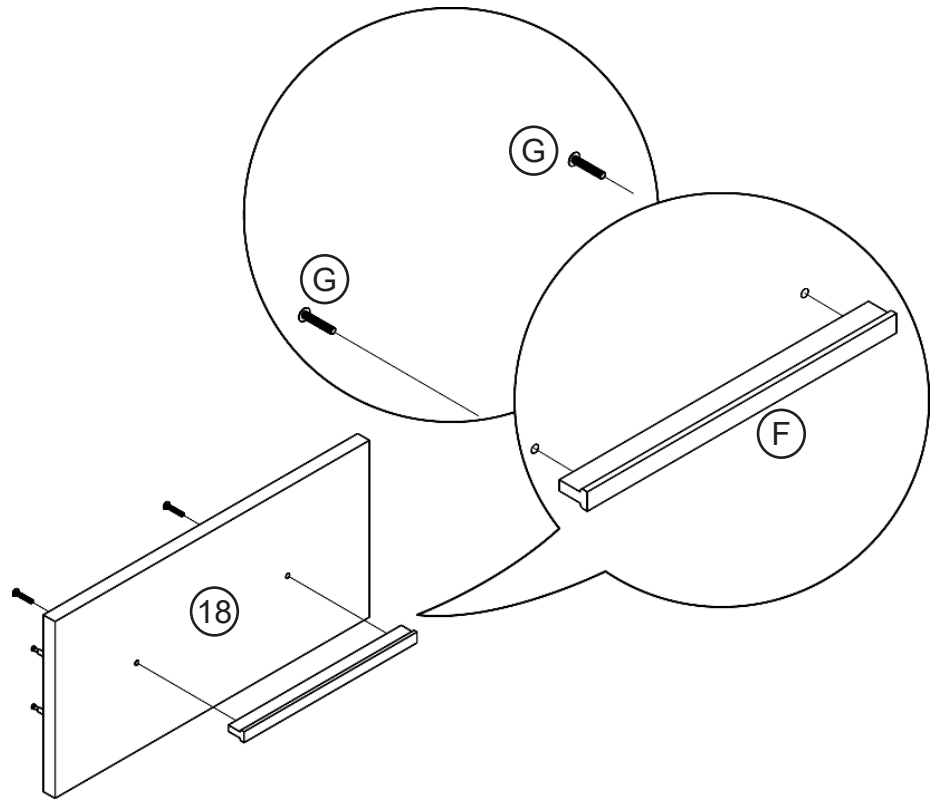
Attach the drawing handle to the drawer front panel (18).



(F) 1x



(G) 2x

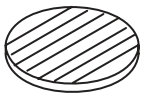


29

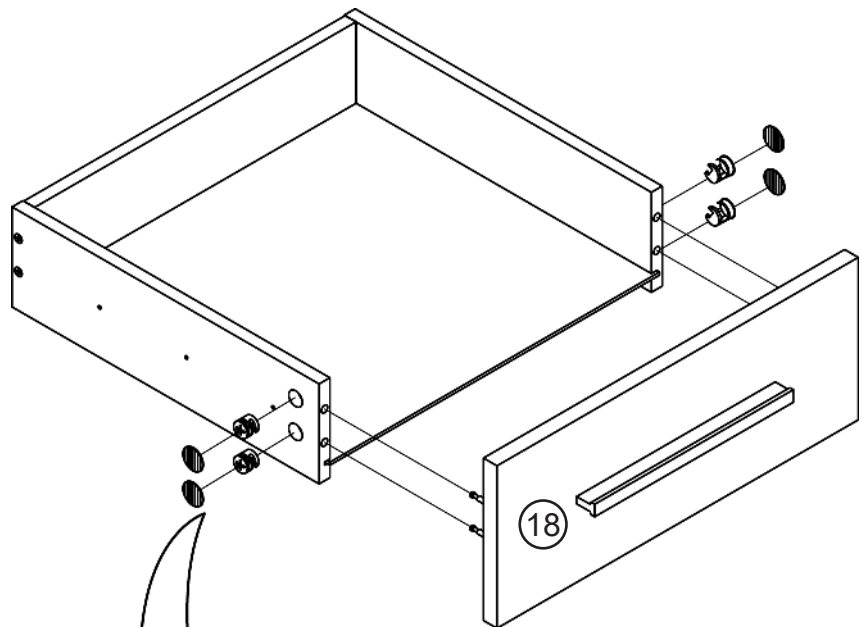
Assemble the drawer front panel (18) to the drawer assembly.



(C) 4x

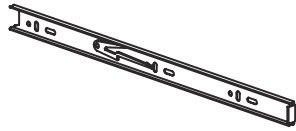


(D) 4x



30

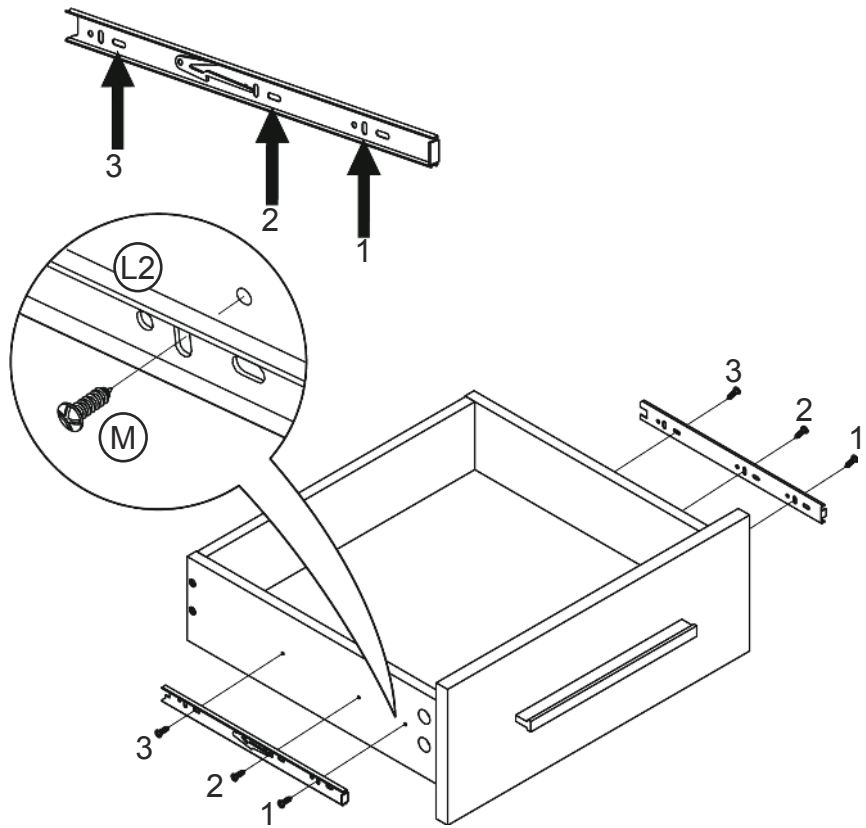
Attach drawer sliders to the drawer.



(L2) 2x

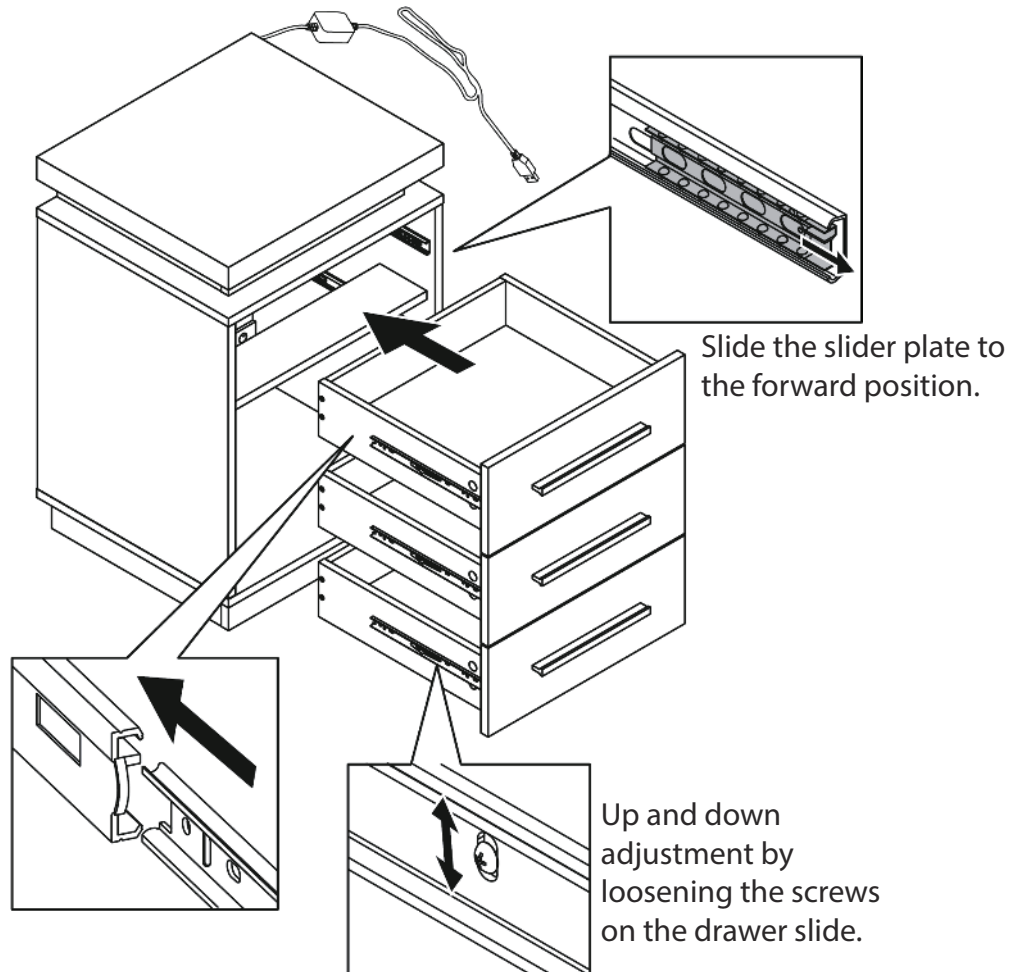


(M) 6x



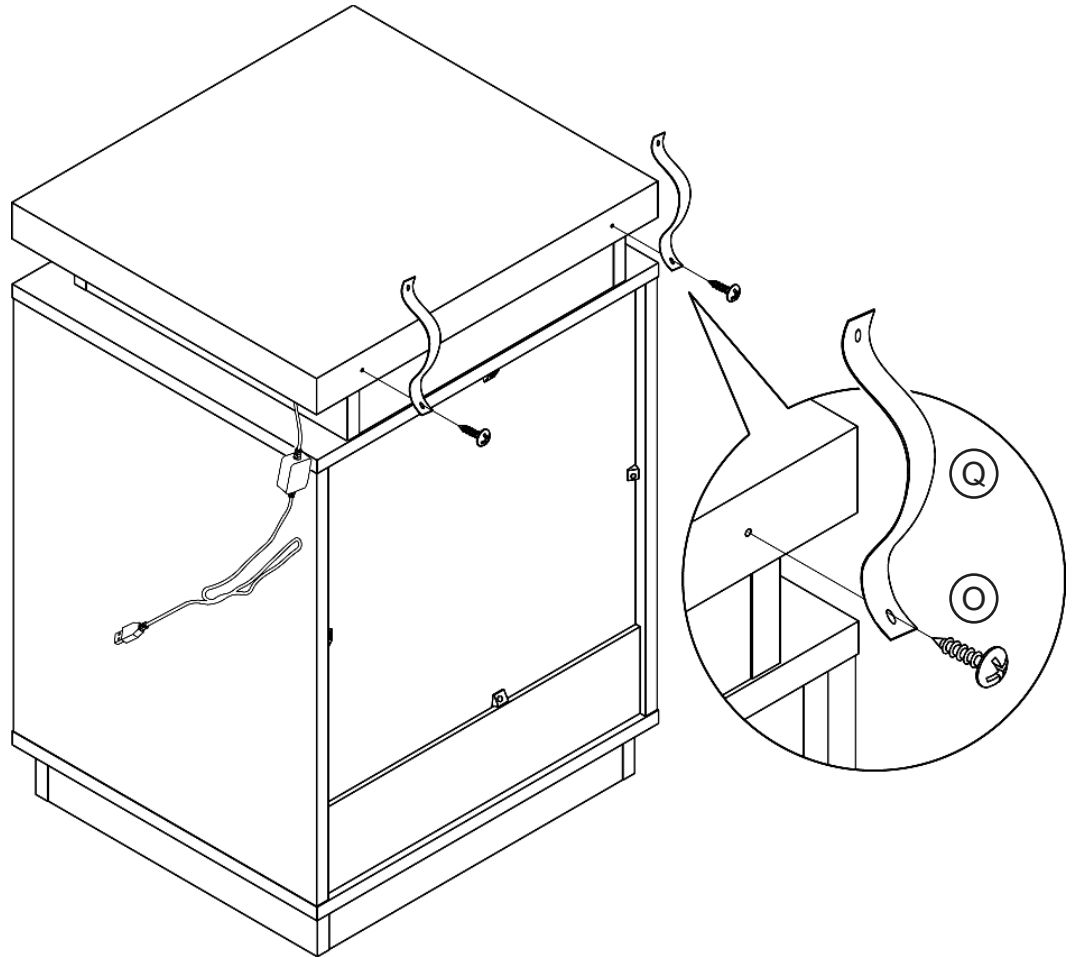
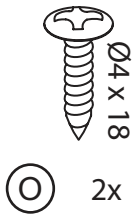
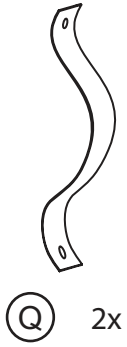
31

Slide the drawers into the table.



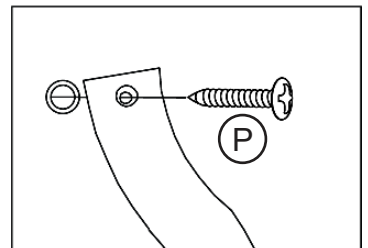
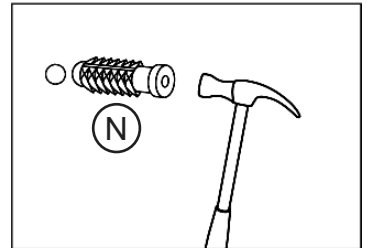
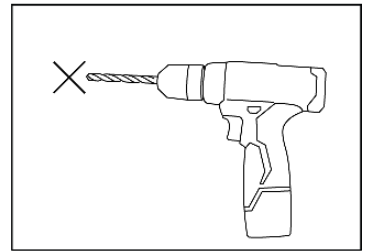
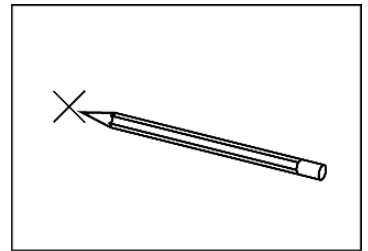
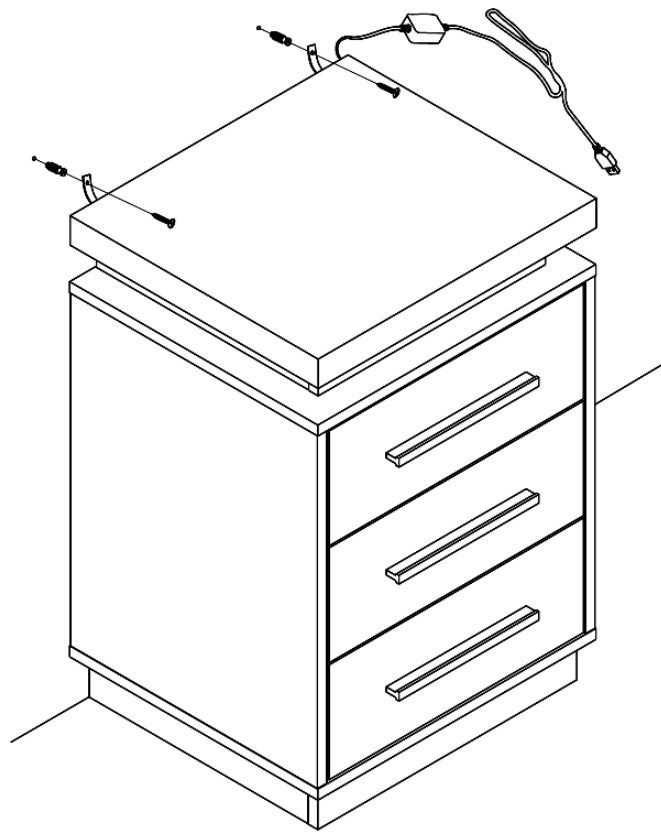
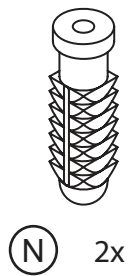
32

Attach anti-tipping strap to the back of the table.



33

Affix the table to the wall.



Furniture must permanently fixed to the wall stud with included anti-tipping device to prevent the furniture from tipping over.

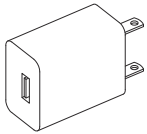
- Mark the drill position on the wall with a pencil.
- Drill a small hole on the marked position.
- Insert a wall anchor into the drilled hole.
- Fixed the anti-tipping strap to the wall with provided screws.

34

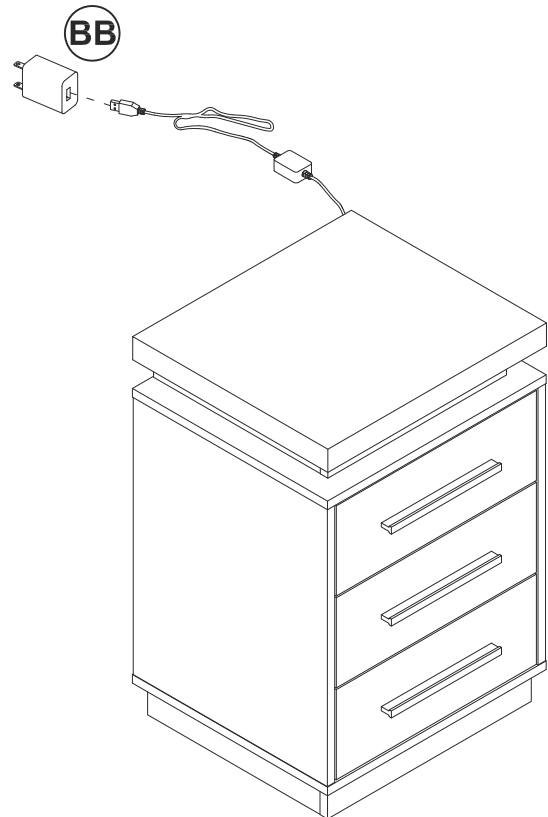
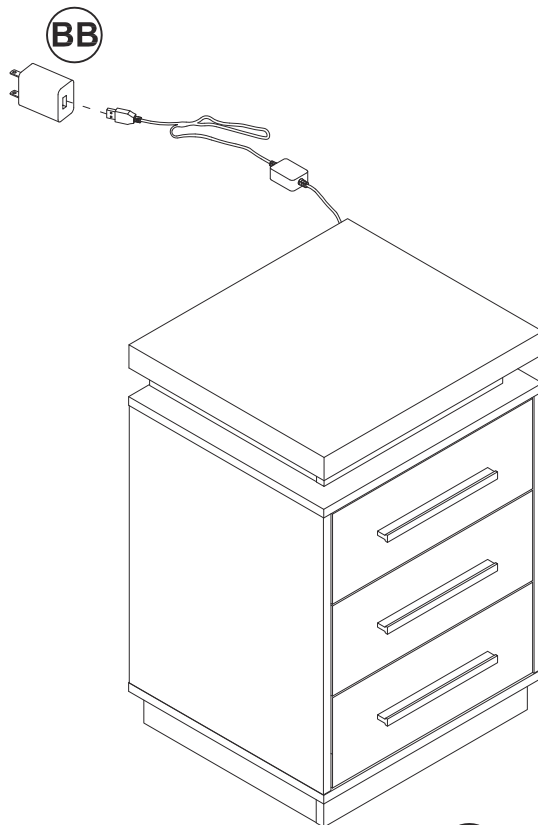
Assemble the other table following the exact same steps, the plug the USB power cords into the power bricks and to the power outlet.



AA 1x



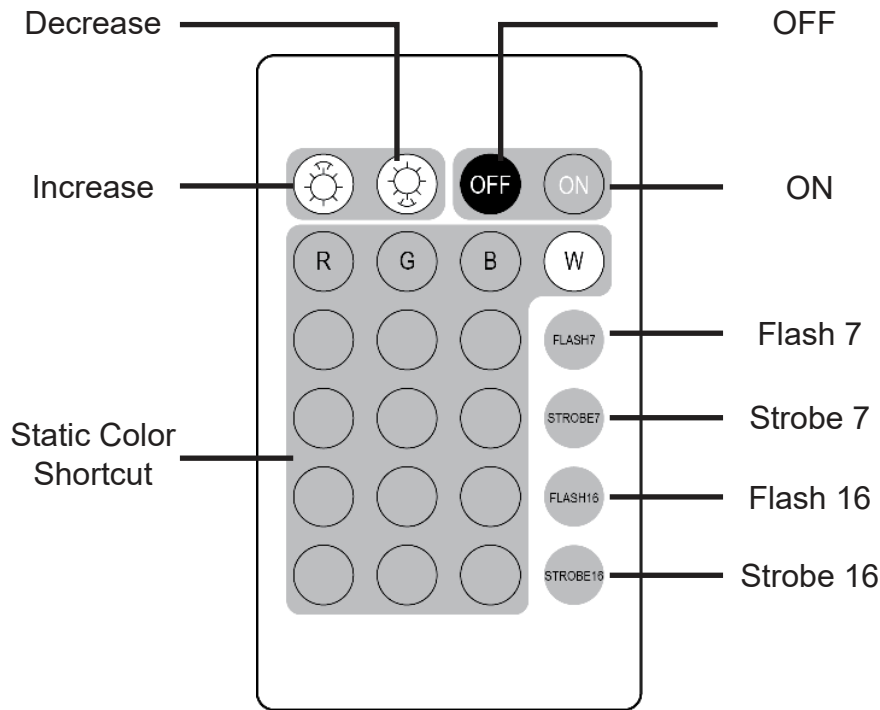
BB 2x



Note: One table is equipped with a main control receiver and the other one is equipped with a sub control receiver. Only one remote control is needed to operate the lights in sync on both tables.

YOU'RE FINISHED!

USER INSTRUCTION (REMOTE CONTROL)



ON

Press the ON button to turn on the light.

OFF

Press the OFF button to turn off the light.

Static Color Shortcut

Each button is assign to a color, press the button to select your desire color.

Increase

Press the increase button to increase brightness in static color mode.
Press the increase button to increase effect speed in light effect mode.

Decrease

Press the increase button to decrease brightness in static color mode.
Press the increase button to decrease effect speed in light effect mode.

Flash 7

Press the button to enable spectrun cycle mode.
The colors will cycle between red, green blue, orange, cyan, violet, and white.

Strobe 7

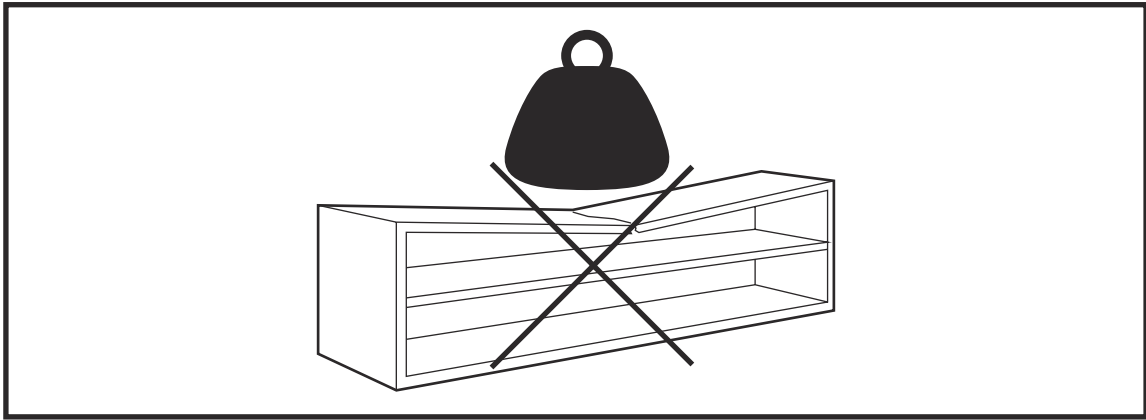
Press the button to enable color breathing mode.
The colors will cycle between red, green blue, orange, cyan, violet, and white.

Flash 16

Press the button to enable spectrun cycle mode.
The colors will cycle between all 16 colors.

Strobe 16

Press the button to enable color breathing mode.
The colors will cycle between all 16 colors.

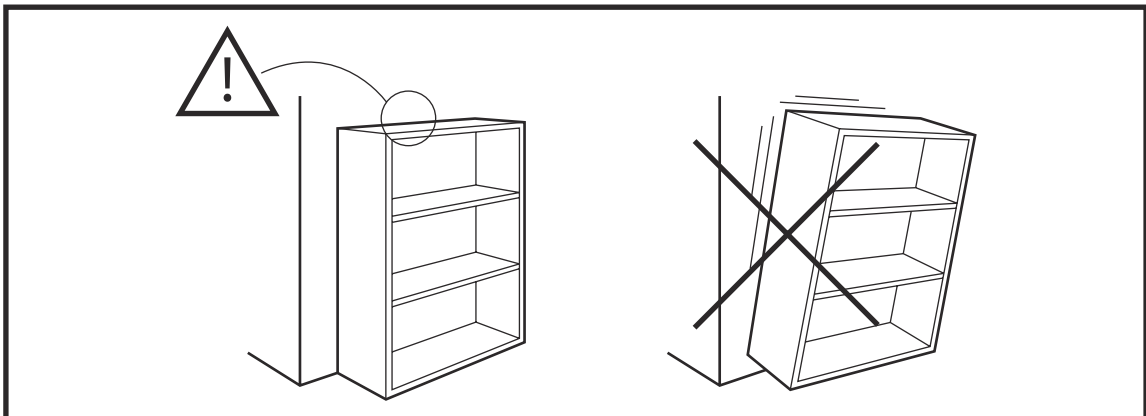


Warning

Only place items on top of the product if they meet the recommended size and weight limits.

Climbing on, stepping on, or placing overweighted objects on the product may cause property damage and/or injuries.

Items placed onto this product must be resting on a support surface without hanging over the edges.



Warning

Serious or fatal crushing injuries may occur if the furniture tip-over. Furniture must permanently affixed to the wall with included anti-tipping device in order to prevent the furniture from tipping over.

Different wall materials requires different types of wall anchors or screws. Use a suitable wall anchors or screws for your specific wall in order to secure the stability and load bearing capacity of the furniture. If you are uncertain about which type of device to use, please contact us or your local hardware store.

BELLEZE[®]

FURNITURE CARE AND MAINTENANCE

Medium - Density Fiberboard

Thank you for your purchase. We want your item to last as long as possible. To ensure the product gives you years of longevity, please follow the recommendations in this care and maintenance guide.



MAINTENANCE

- Tighten all bolts and screws again within the first 2 weeks of assembly.
- Check the tightness of all bolts every 2 months and tighten them if necessary.



CLEANING

- Clean the surface of the MDF (medium - density fiberboard) with a lightly dampened cloth.
- A small amount of mild soap can be used if necessary.
- Dry the surface immediately after cleaning.

- ⚠ DO NOT use bleach or alcohol to clean the surface.
- ⚠ DO NOT apply wood treatment on parts made with MDF.

MDF will swell and distort when exposed to water damage. Make sure to dry the furniture immediately after cleaning.

⚠ WARNING

The manufacturer and seller are not responsible for any and all liability relating to personal injury, property damage or losses, whether direct, indirect, or incidental, resulting from the incorrect attachment, improper use, inadequate maintenance, unapproved modification or neglect of this product.

© All copyright of this document belongs to BELLEZE .
This document may not be printed, translated, reproduced, or distributed in whole or in
part without written permission from BELLEZE.

WARRANTY

BELLEZE products come with a 1-year warranty from the date of delivery.
Register your product on our website to enjoy our limited lifetime warranty!



AFTER-SALE SERVICE



Encounter any difficulties or missing parts?



Contact us at **1-800-682-6376** or email us at **support@belleze.com**



We will send you replacement.



Hassle free!
No need to worry about repackaging and sending your item back.

We hope you enjoy your new BELLEZE furniture!
Share your photos on Instagram and tag us: @bellezefurniture.

FOLLOW US:



@bellezefurniture

CONTACT INFO:

support@belleze.com
1-800-682-6376

BELLEZE®