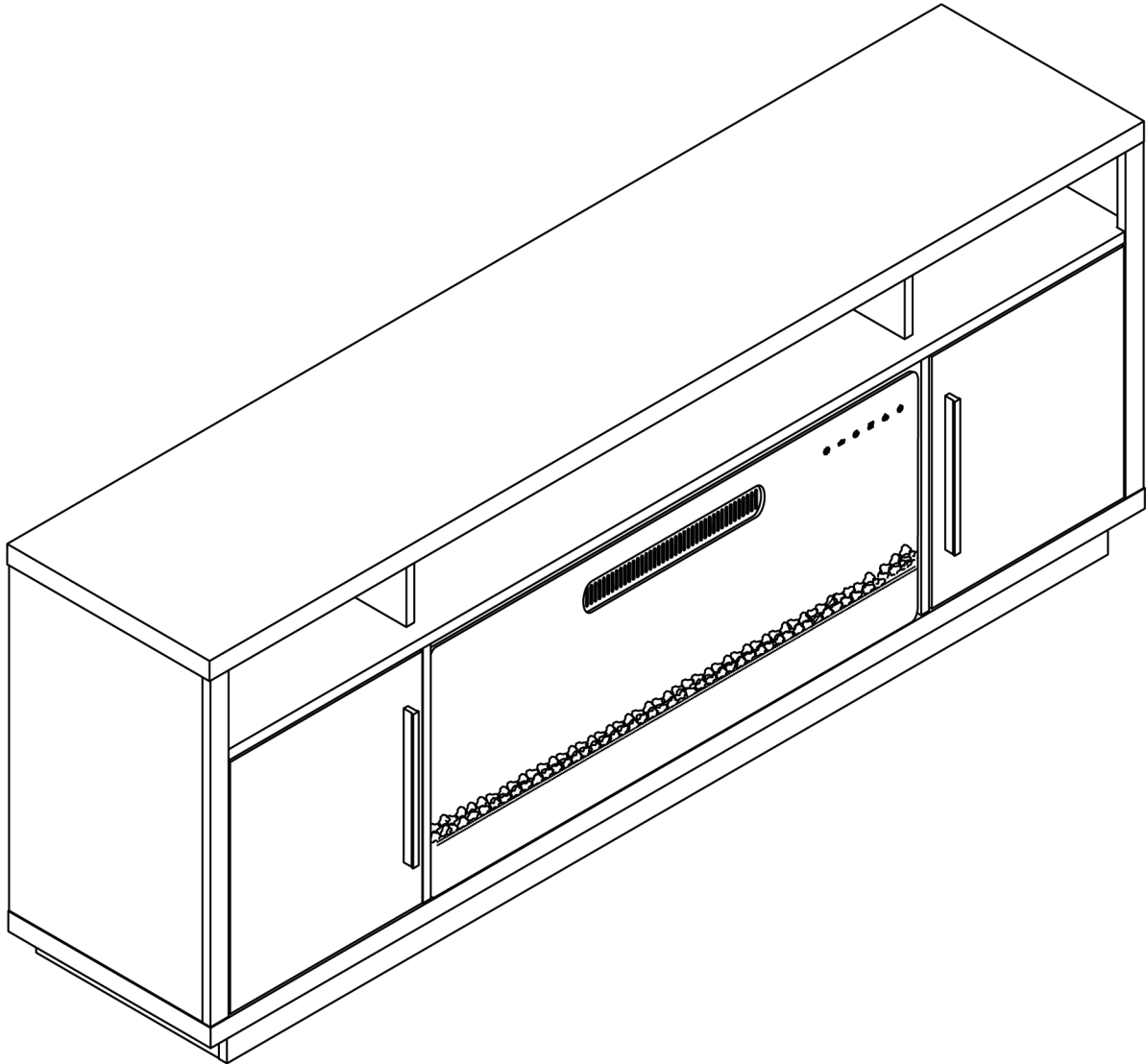



# Avenue Fireplace Entertainment Center



# BELLEZE®

<b>FOLLOW US:</b>	<b>CONTACT INFO:</b>	<b>ITEM NO. 014-HG-41890</b>
 @bellezefurniture	support@belleze.com 1-800-682-6376	The instruction booklet contains <b>IMPORTANT</b> safety information. Please read it in full and keep it for future reference.

[www.belleze.com](http://www.belleze.com)

Scan this QR Code  
to view our online tutorial

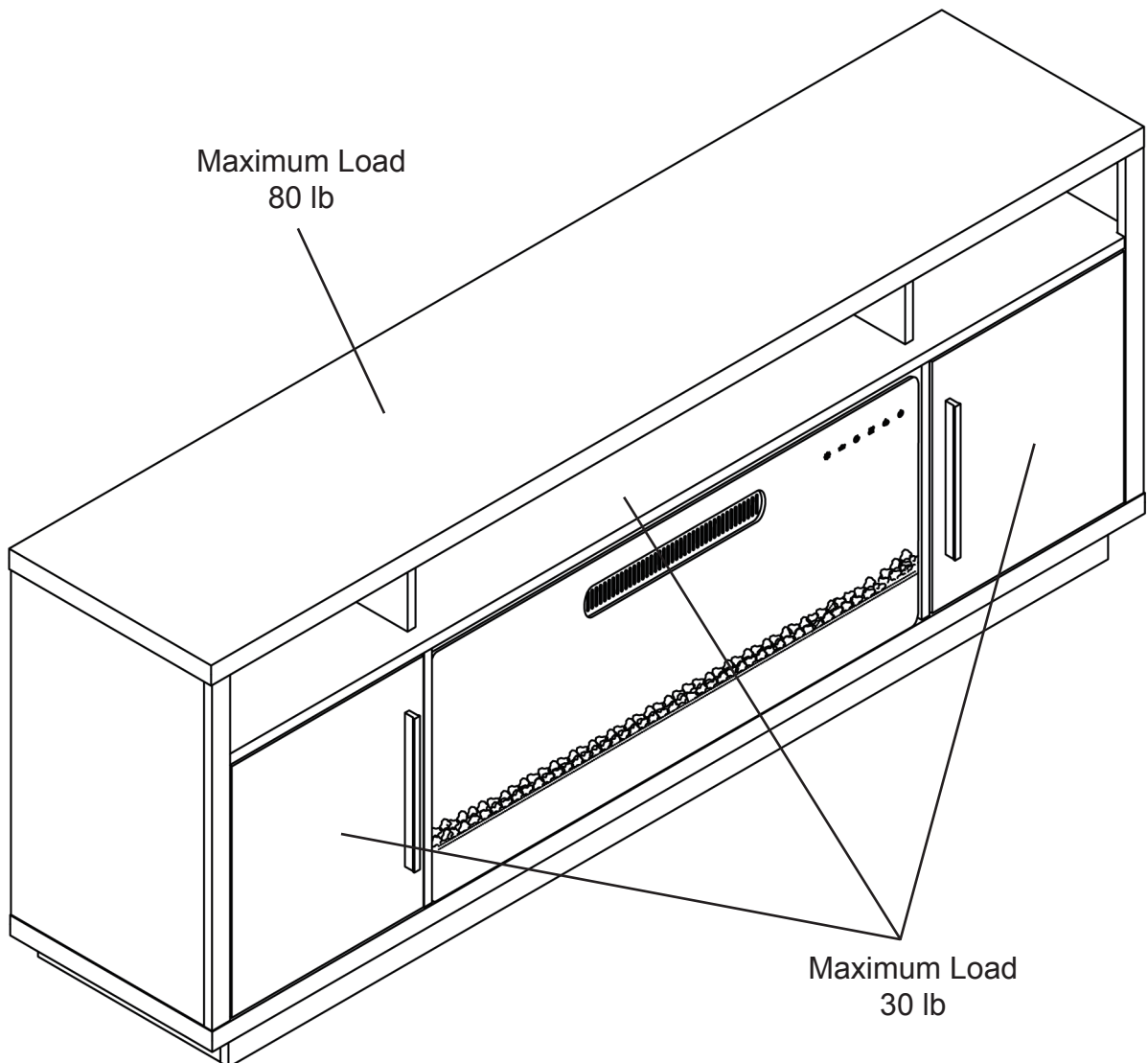


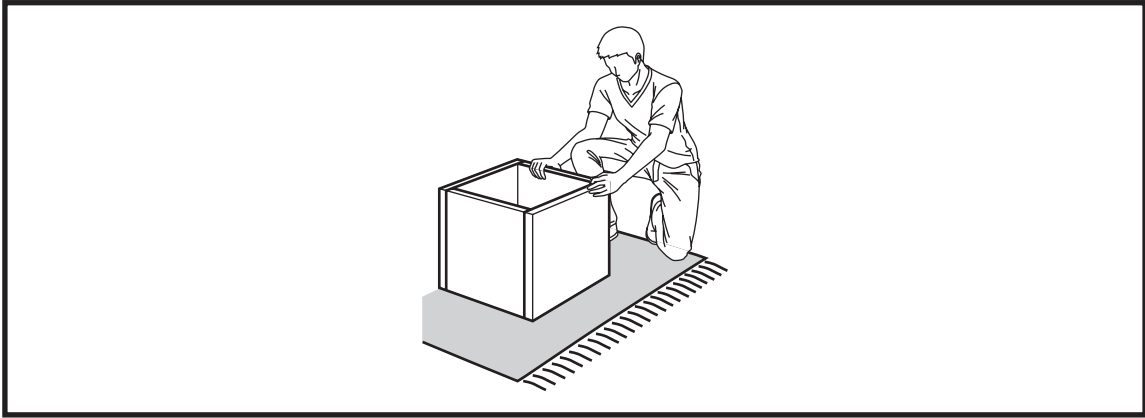
Estimated time for assembly:

**90 mins**



Weight limitations are as follows:

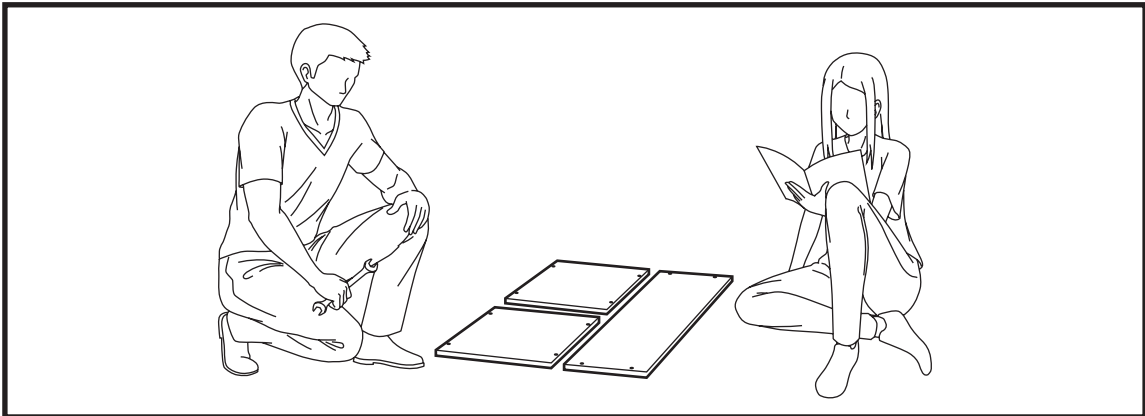




Assemble the furniture on an empty carton, carpet, or rug to prevent scratches or damage.

For safety, please keep pets and children away from the assembly area.

Ensure the product is fully assembled before use. If you are missing any hardware or products, do not use it until you have restored the missing parts.



This furniture requires 2 people for assembly.

Read this instruction manual prior to assembly to familiarize yourself with the various steps.

Lay out all components and hardware separately on a flat surface and make sure that no parts are missing or damaged before assembly. Do not destroy or discard any packaging until you are certain that you have all the necessary parts for assembly.

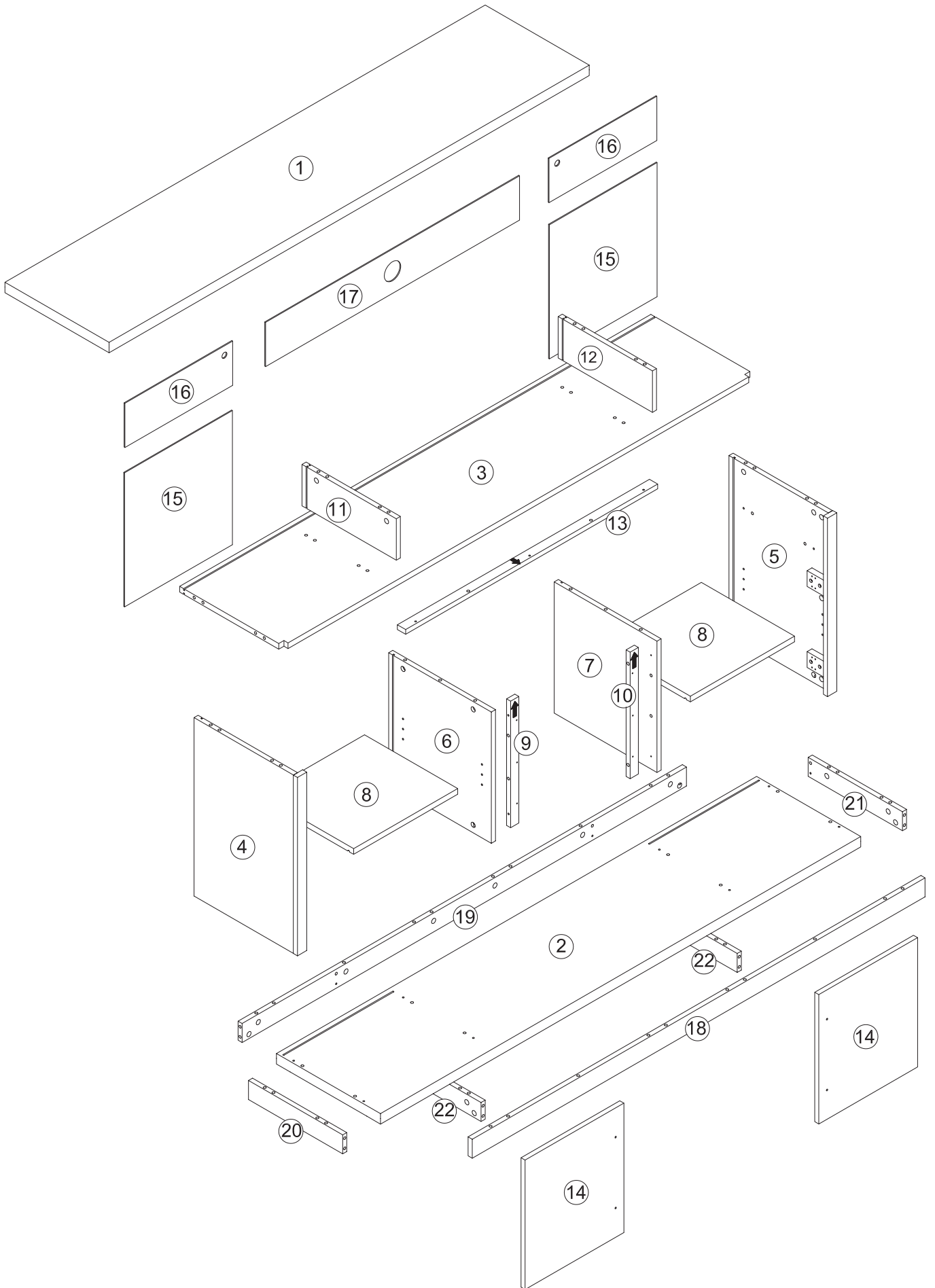
Hand tight all hardware and careful not to over tighten to avoid damaging the product.

## **CAUTION**

There are small components used in the construction of this product. Loose items should be kept away from pets and children to avoid a choking hazard.

Keep all plastic bags and packaging film away from pets and children to avoid suffocation.

# PACKAGE CONTENTS



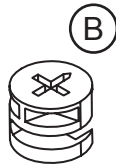
# PACKAGE CONTENTS

CODE	DESCRIPTION	QTY
1	Top Panel	1
2	Bottom Panel	1
3	Center Panel	1
4	Left Panel	1
5	Right Panel	1
6	Left Medial Panel	1
7	Right Medial Panel	1
8	Storage Shelf Panel	2
9	Left Support Strip	1
10	Right Support Strip	1
11	Upper Left Medial Panel	1
12	Upper Right Medial Panel	1
13	Crossbar	1
14	Cabinet Door	2
15	Bottom Side Back Panel	2
16	Upper Side Back Panel	2
17	Upper Center Back Panel	1
18	Front Base Panel	1
19	Back Base Panel	1
20	Left Base Panel	1
21	Right Base Panel	1
22	Center Base Panel	2

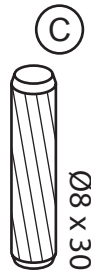
# PACKAGE CONTENTS



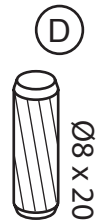
52x + 3x



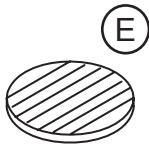
52x + 3x



50x + 3x



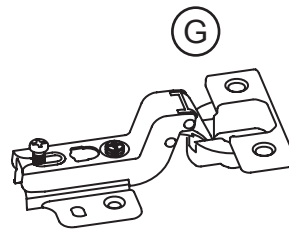
6x



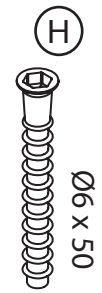
58x + 3x



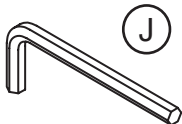
24x + 2x



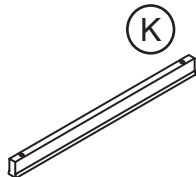
4x



4x



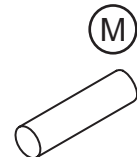
1x



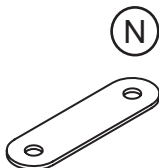
2x



4x



8x



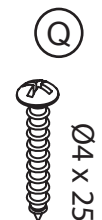
4x



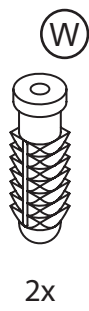
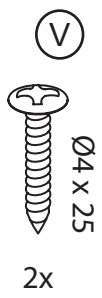
8x



6x

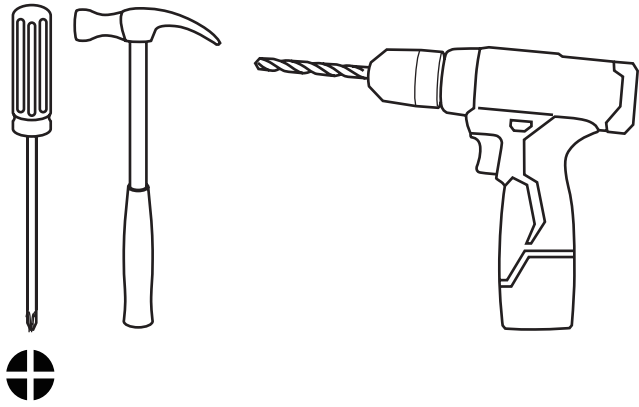


7x



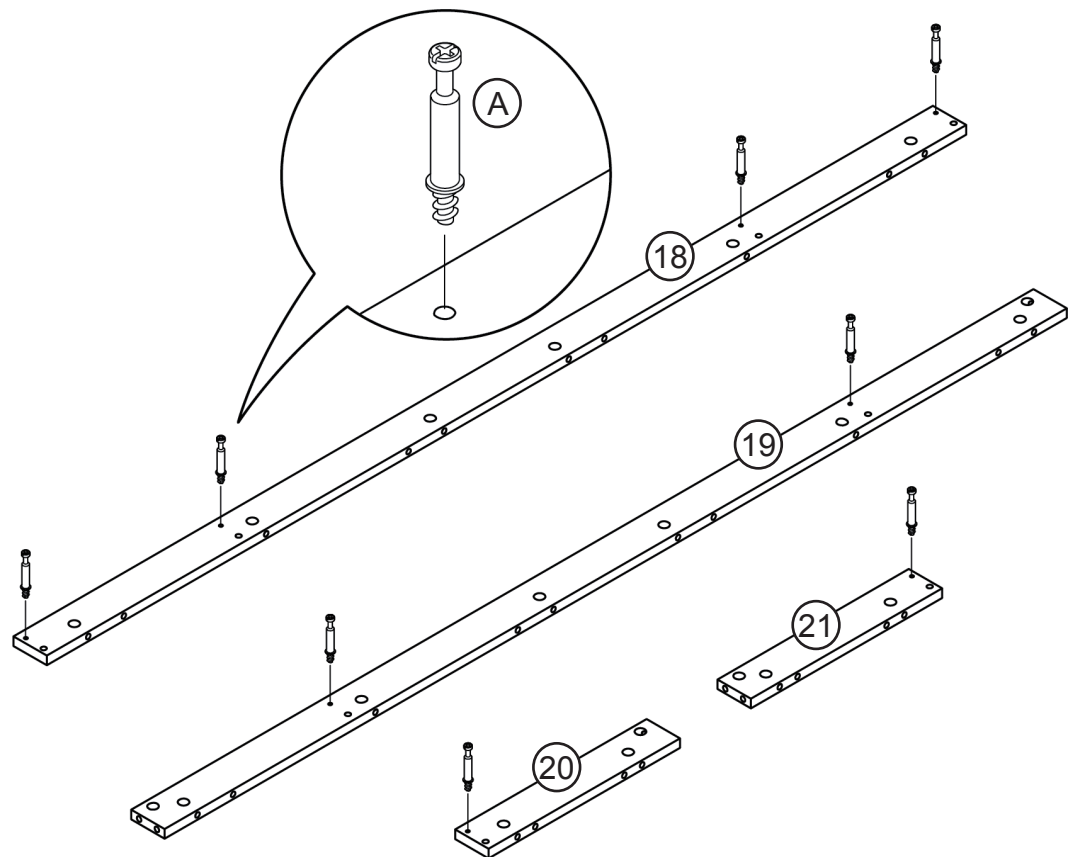
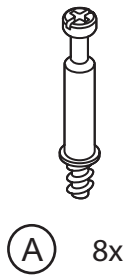
Install all hardware perpendicular to the opening.

Required tools for assembly (Not included)



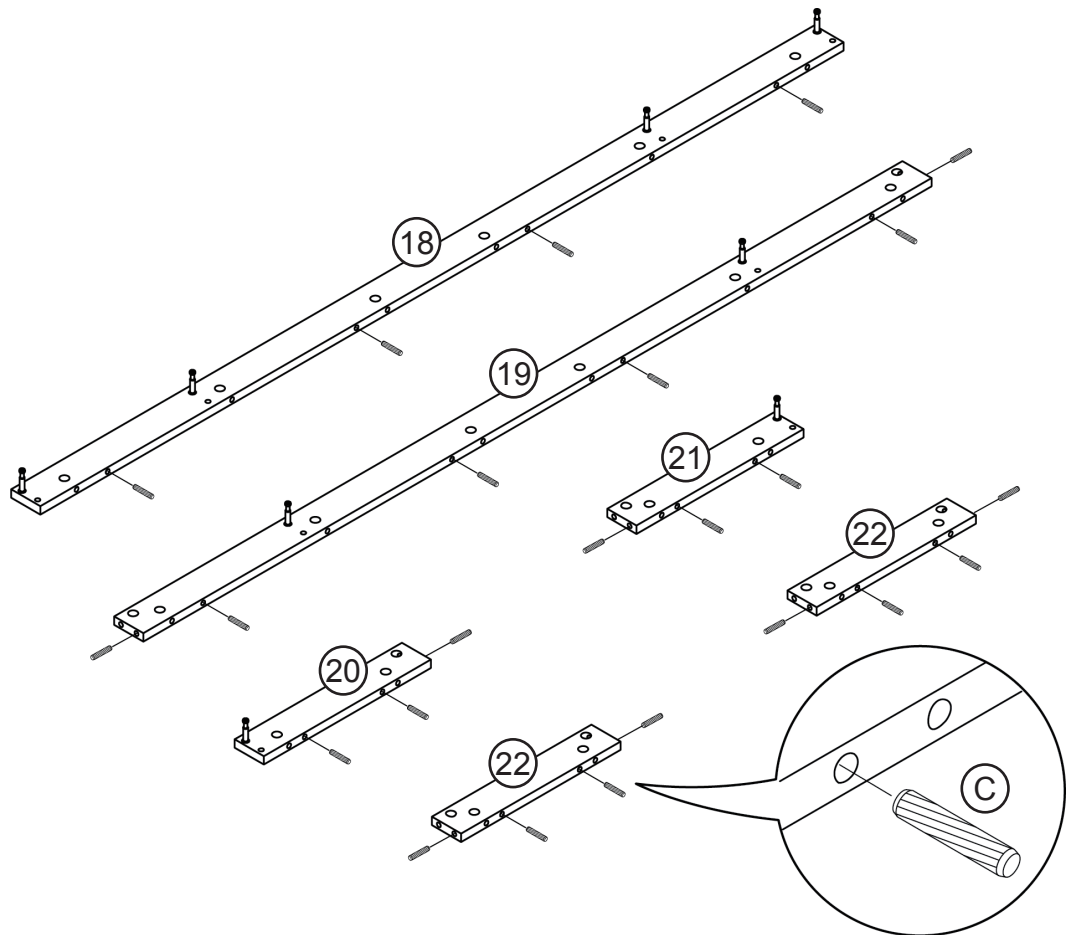
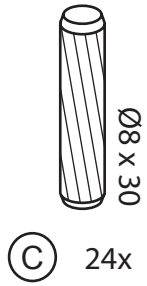
1

Attach cam bolts to the front, back, left, and right base panels (18, 19, 20, 21).



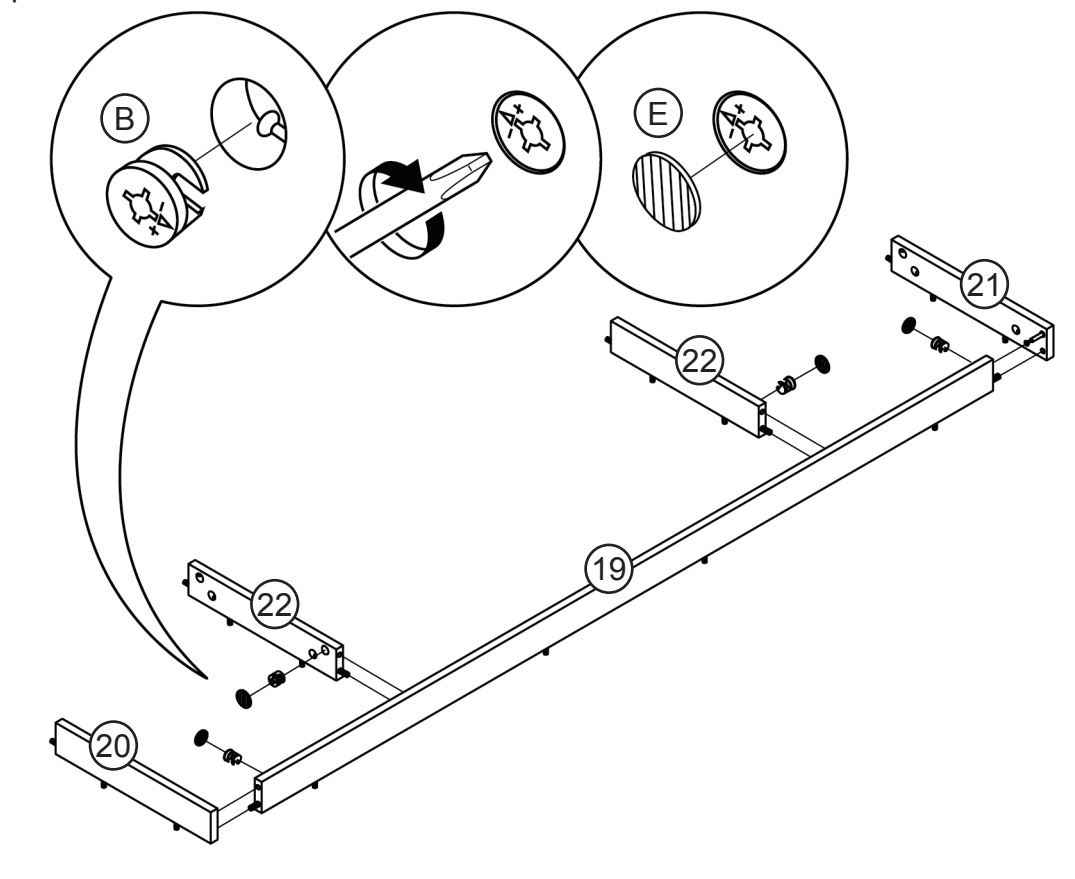
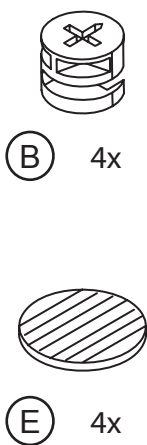
# 2

Insert wood dowels to the all the base panels (18, 19, 20, 21, 22).



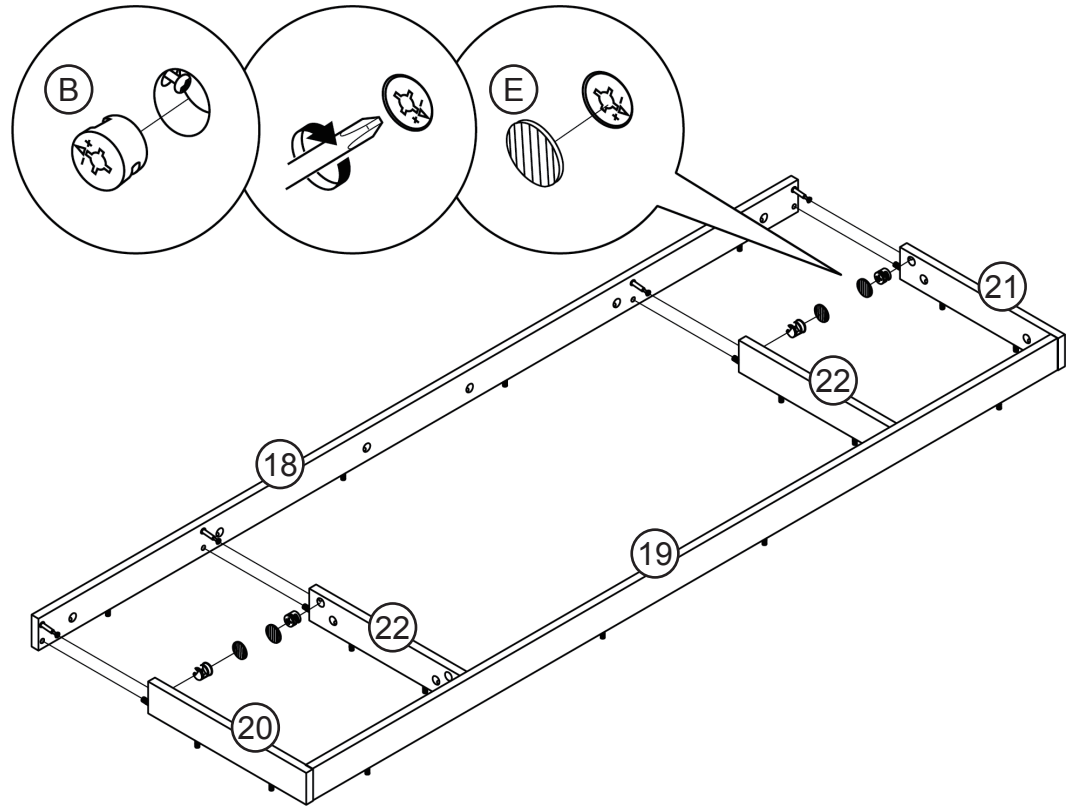
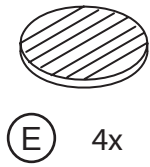
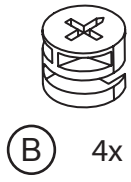
# 3

Assemble the left, right, and center base panels (20, 21, 22) to the back base panel (19).



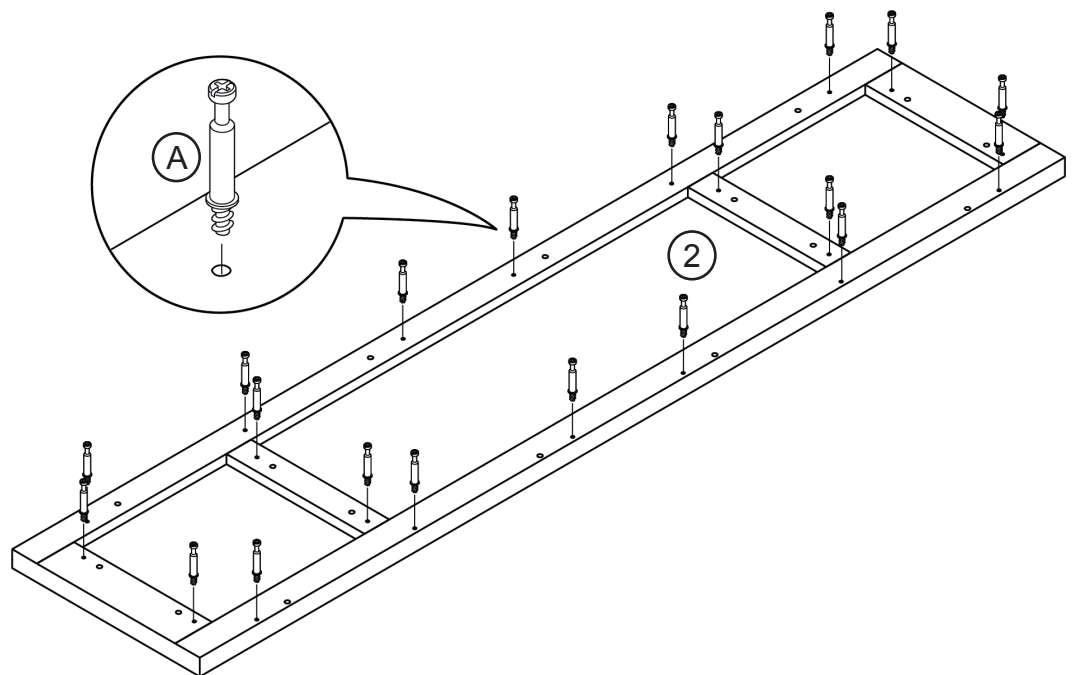
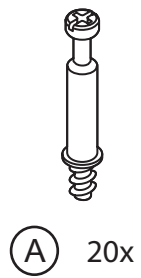
# 4

Assemble the front base panel (18) to the base assembly.



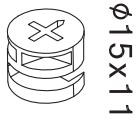
# 5

Attach cam bolts to the underside of the bottom panel (2).

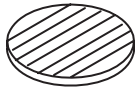


# 6

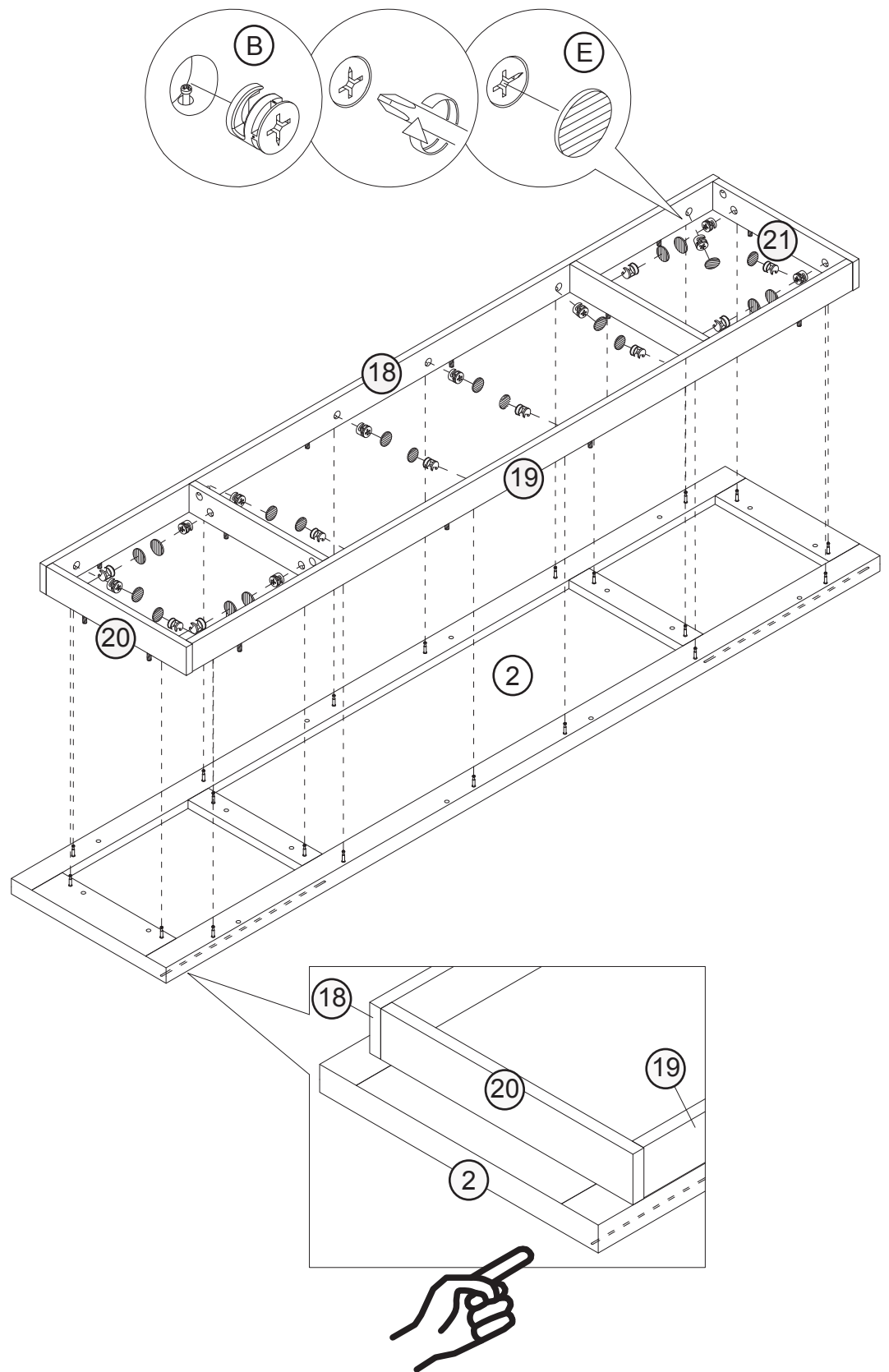
Assemble the base underneath the base panel (2).



(B) 20x

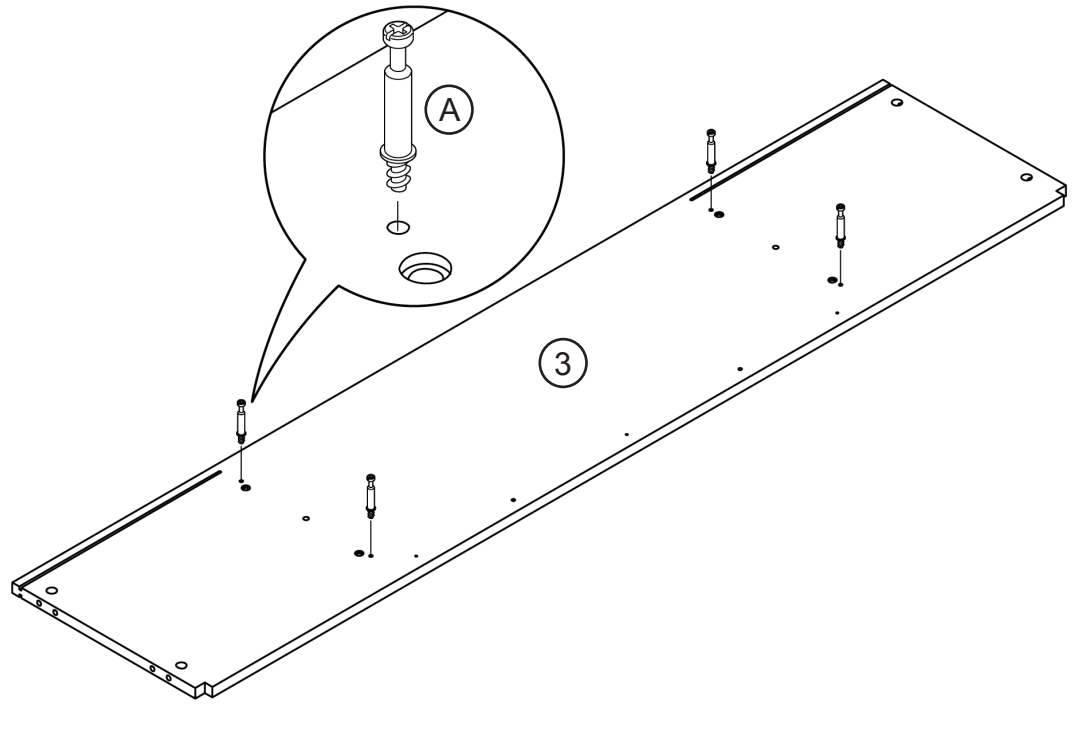
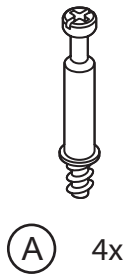


(E) 20x



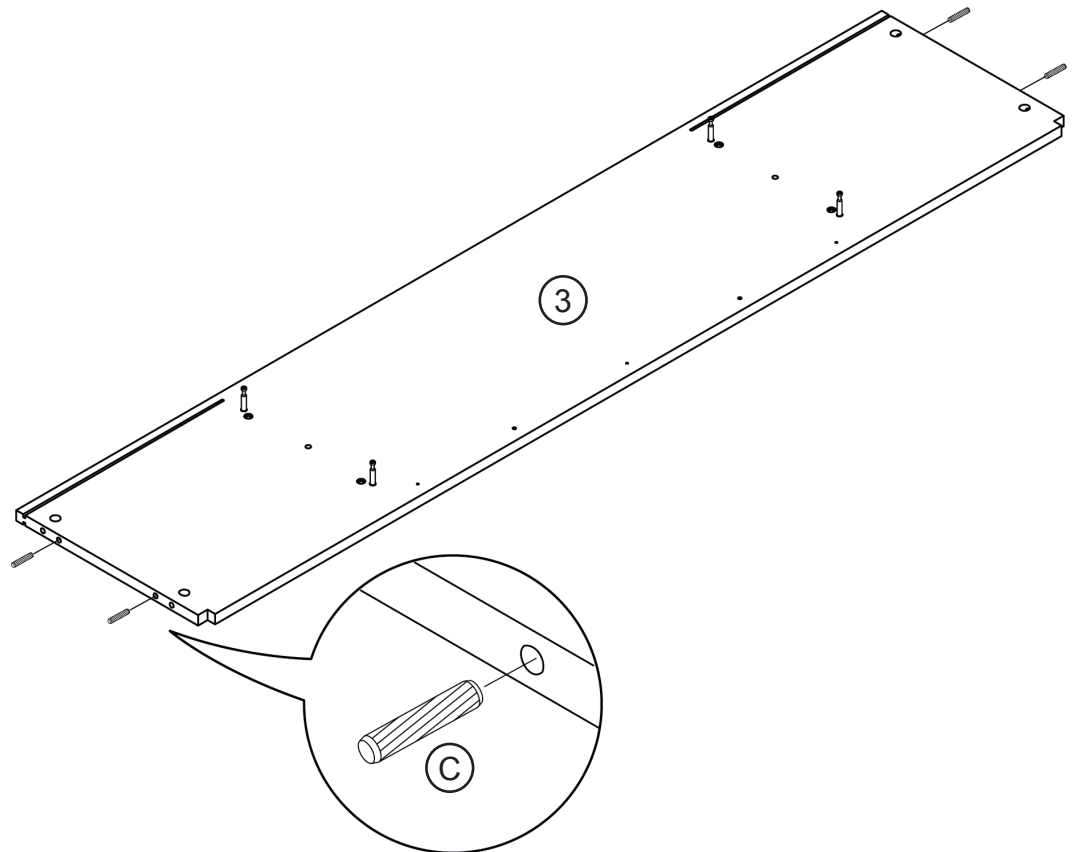
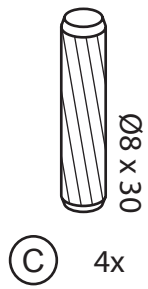
# 7

Attach cam bolts to the center panel (3).



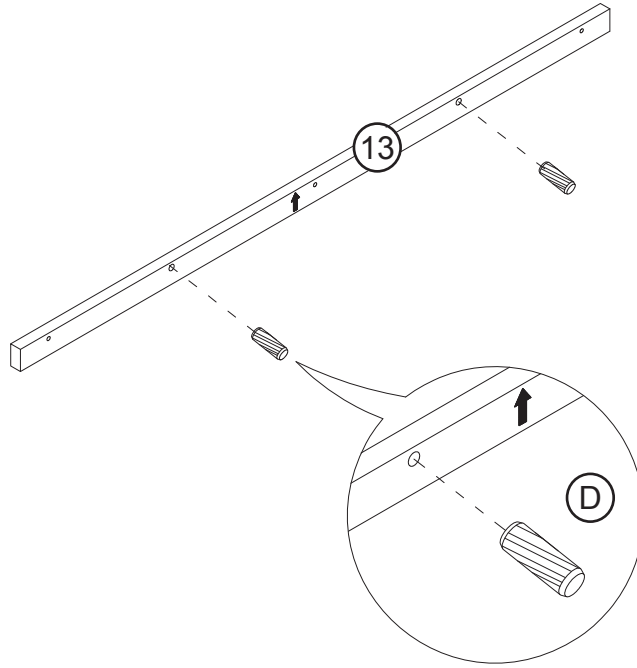
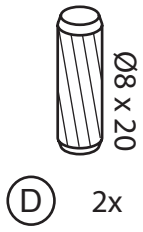
# 8

Insert wood dowels to the center panel (3).



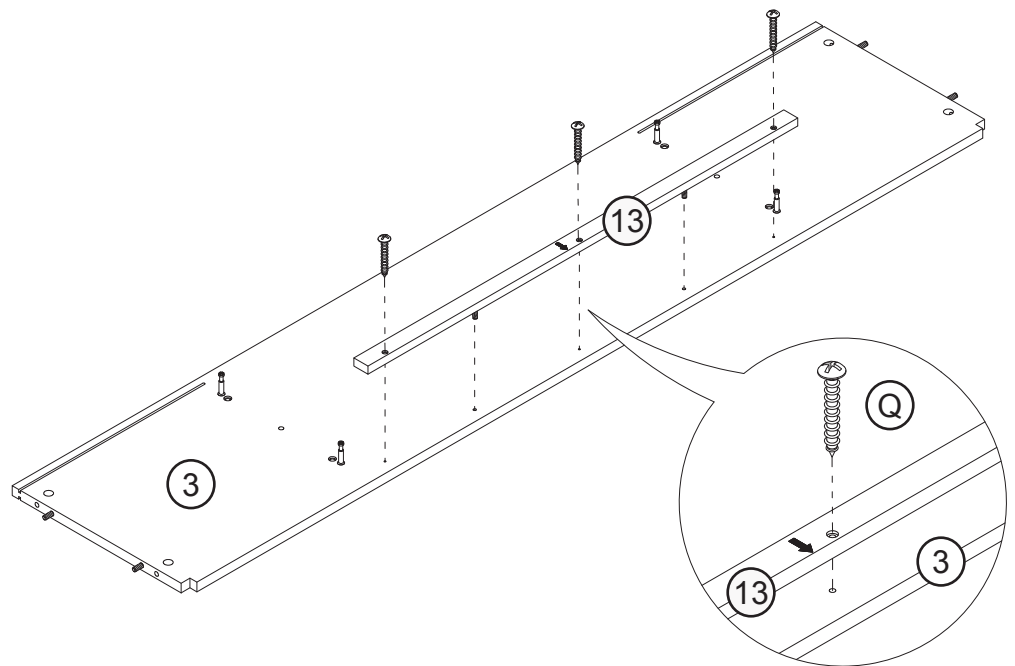
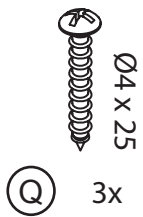
# 9

Insert wood dowels to the crossbar (13)



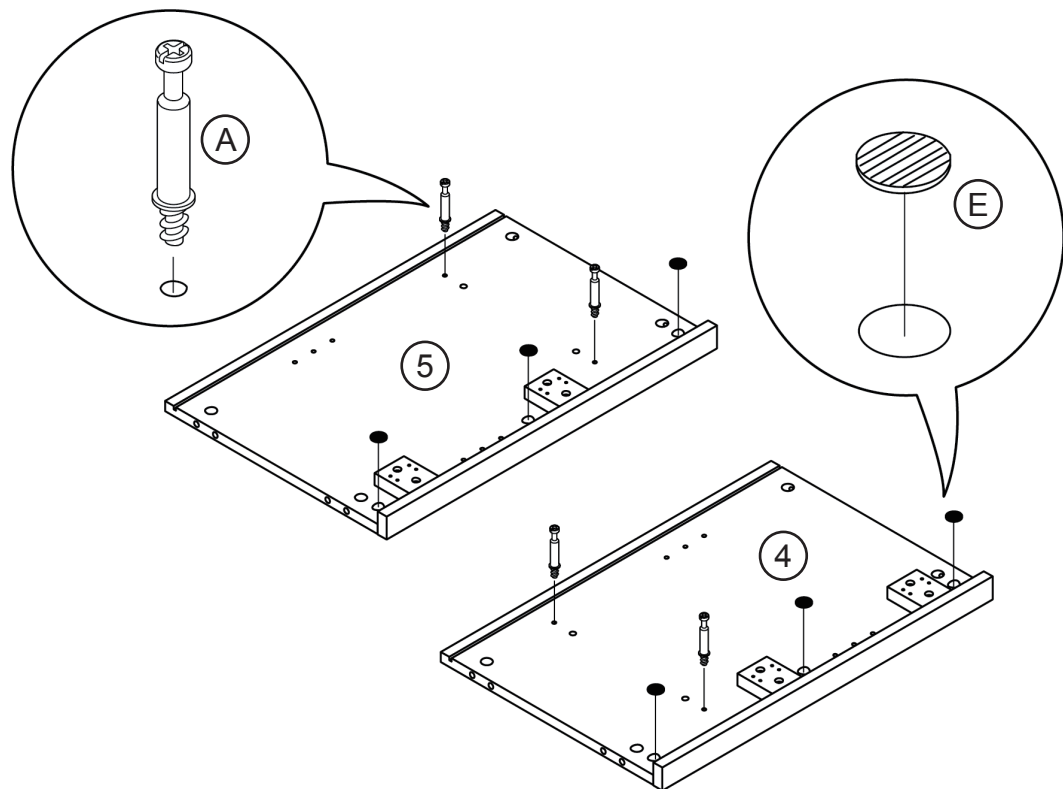
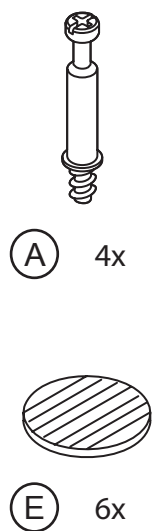
# 10

Assemble the crossbar (13) underneath the center panel (3).



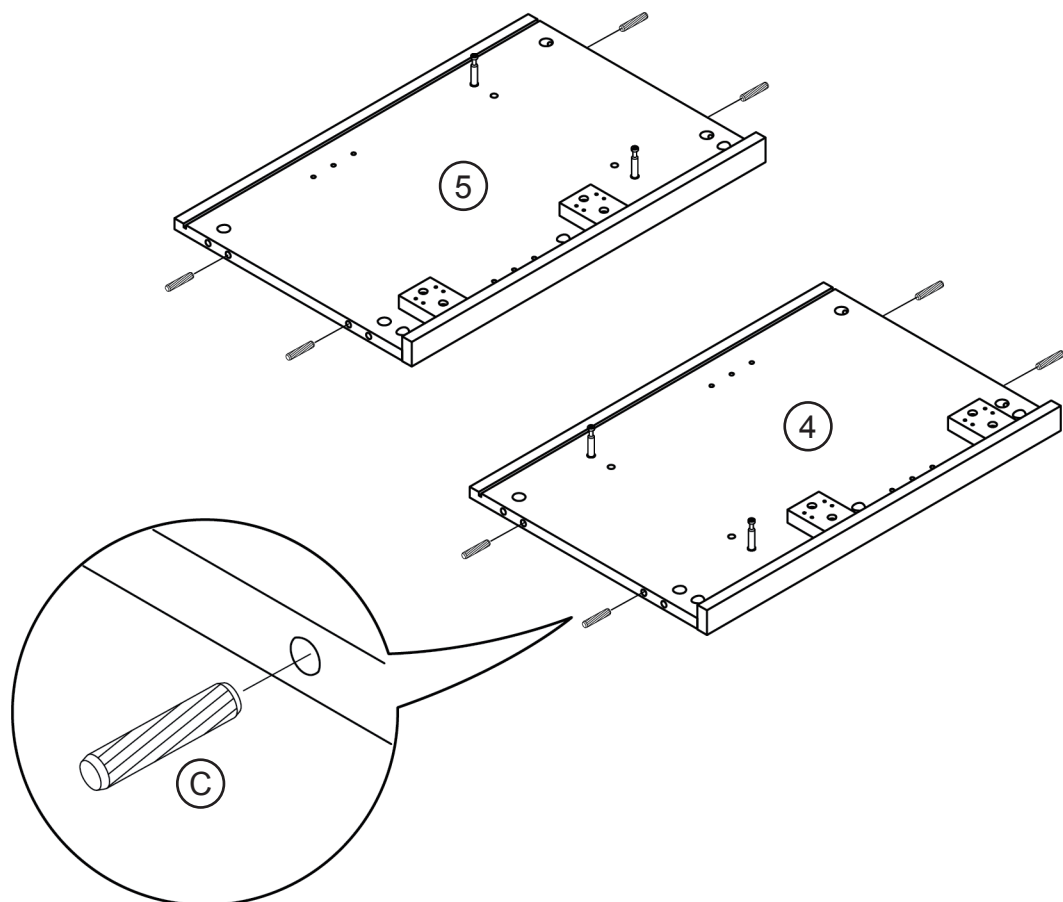
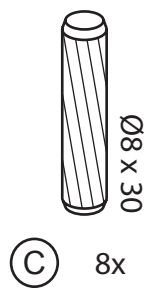
# 11

Attach cam bolts to the left and right panels (4, 5).



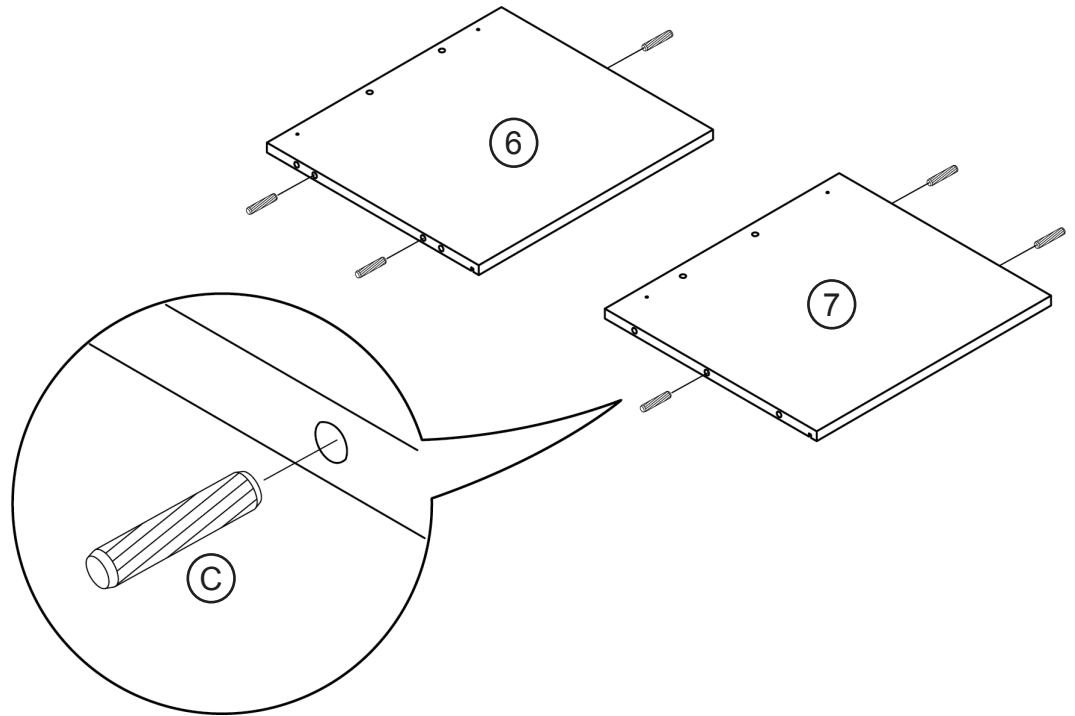
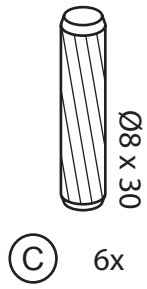
# 12

Insert wood dowels to the left and right panels (4, 5).



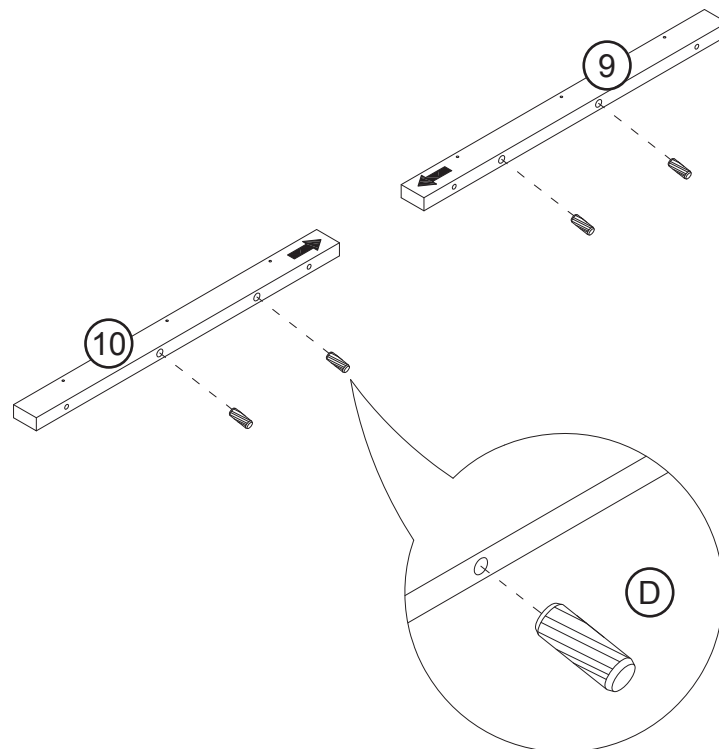
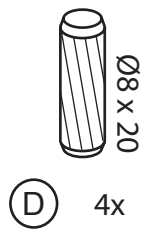
# 13

Insert wood dowels to the left and right medial panels (6, 7).



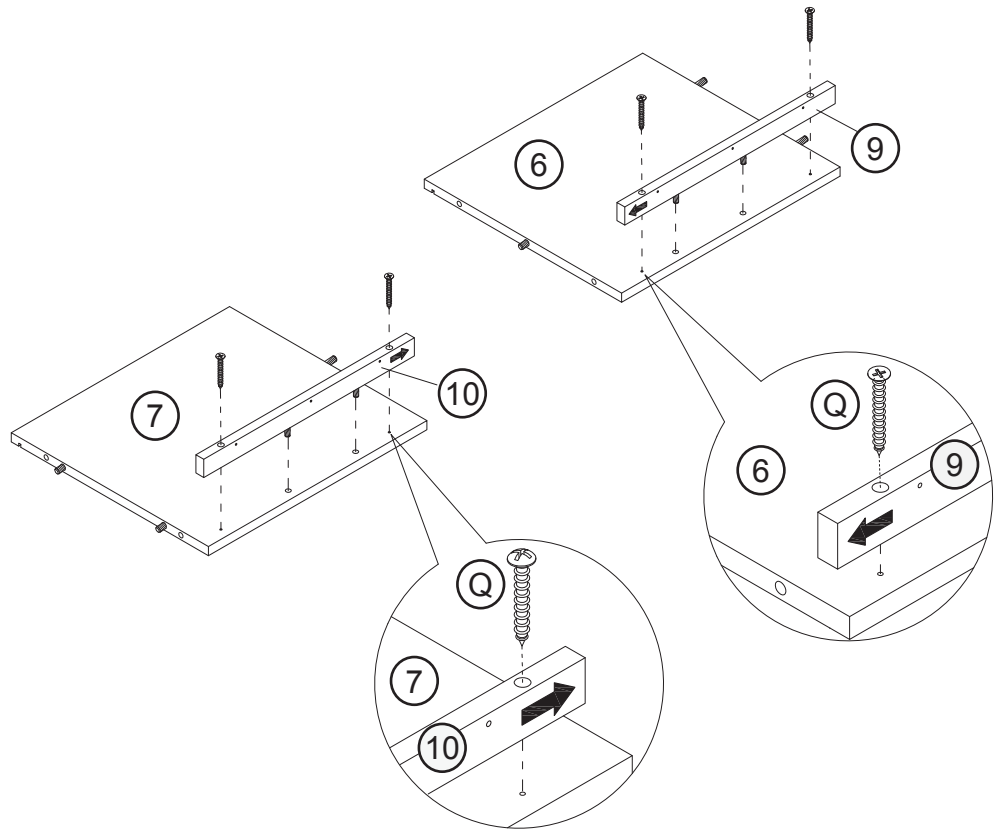
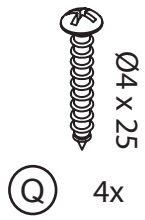
# 14

Insert wood dowels to the left and right support strips (9, 10).



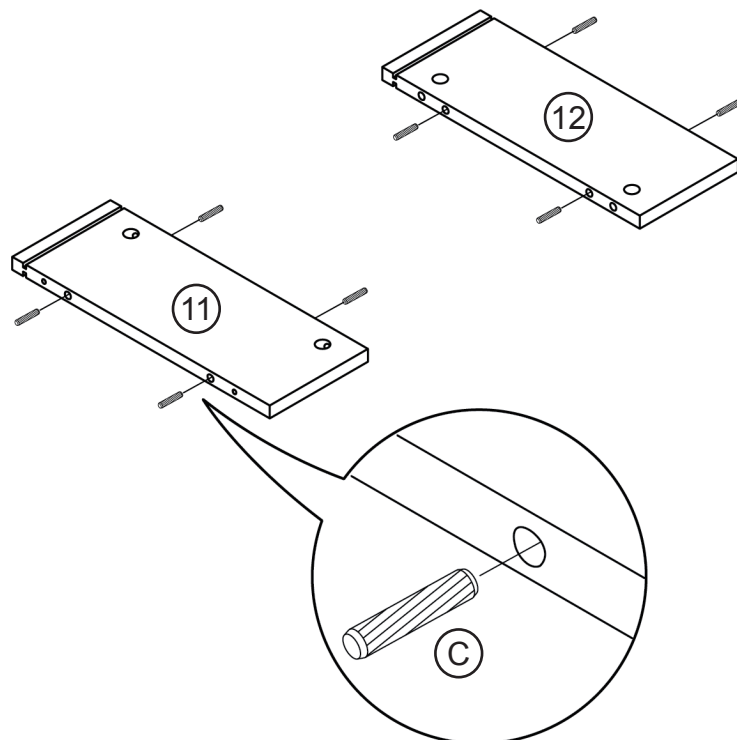
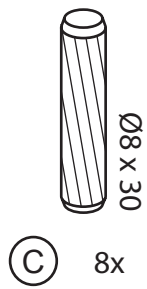
# 15

Attach the support strips (9, 10) to the medial panels (6, 7).



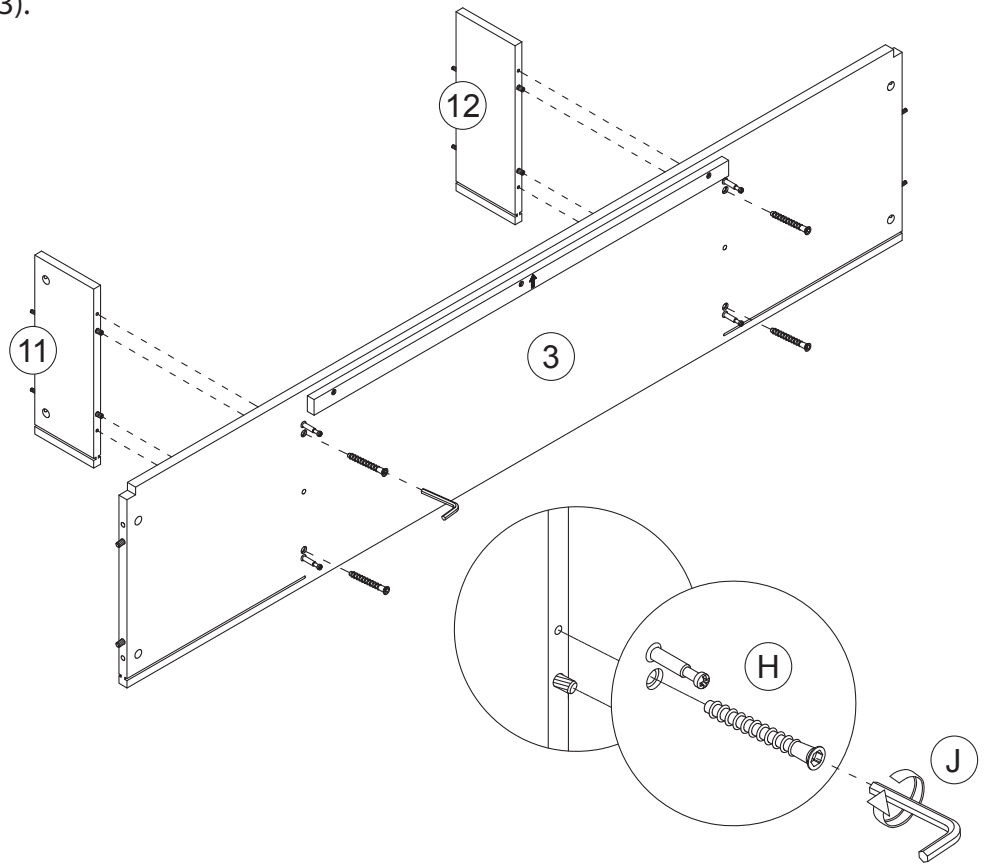
# 16

Insert wood dowels to the upper left and right medial panels (11, 12).



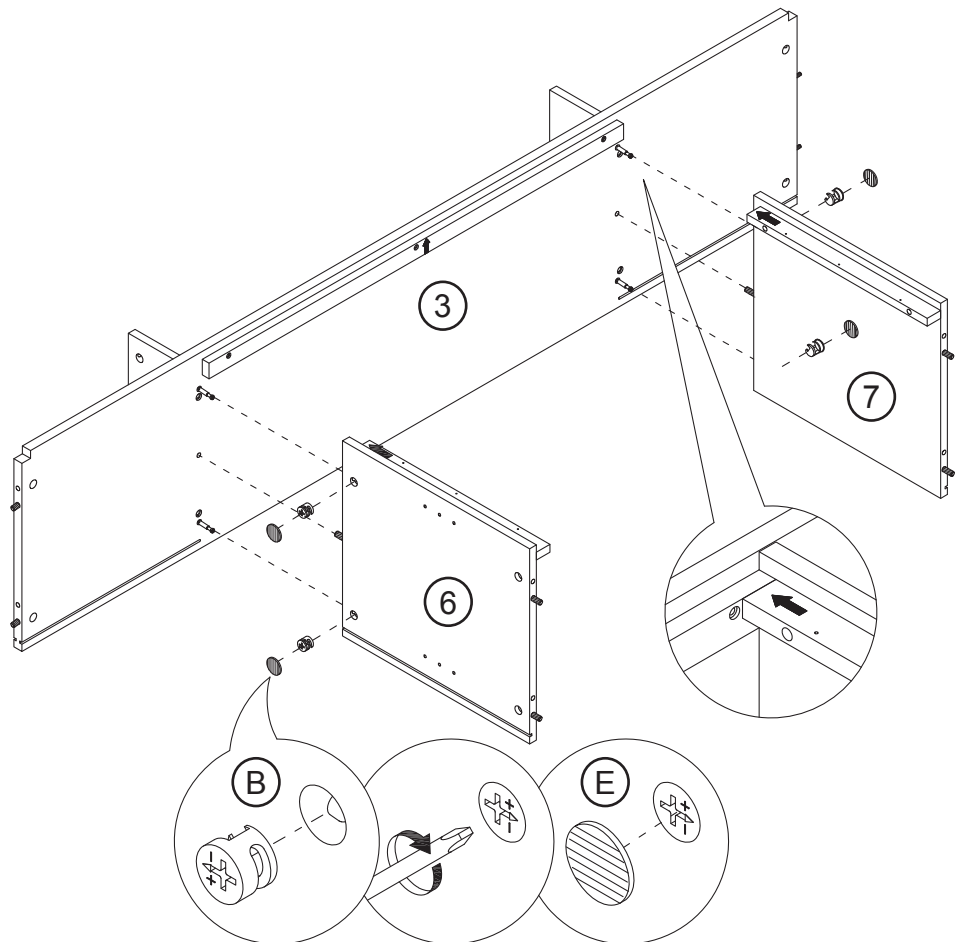
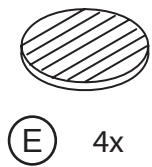
# 17

Assemble the upper left and right medial panels (11, 12) on top of the center panel (3).



# 18

Assemble the left and right medial panels (6, 7) underneath the center panel (3).

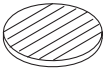


# 19

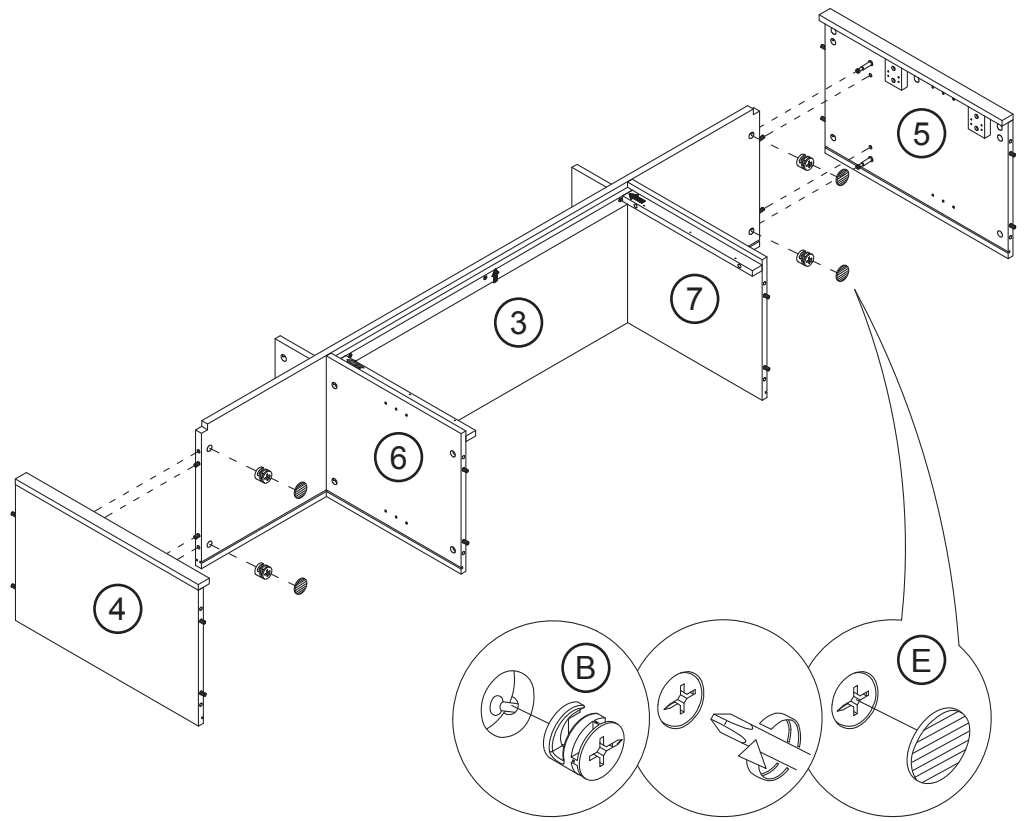
Assemble the left and right panels (4, 5) to the side of the center panel (3).



(B) 4x

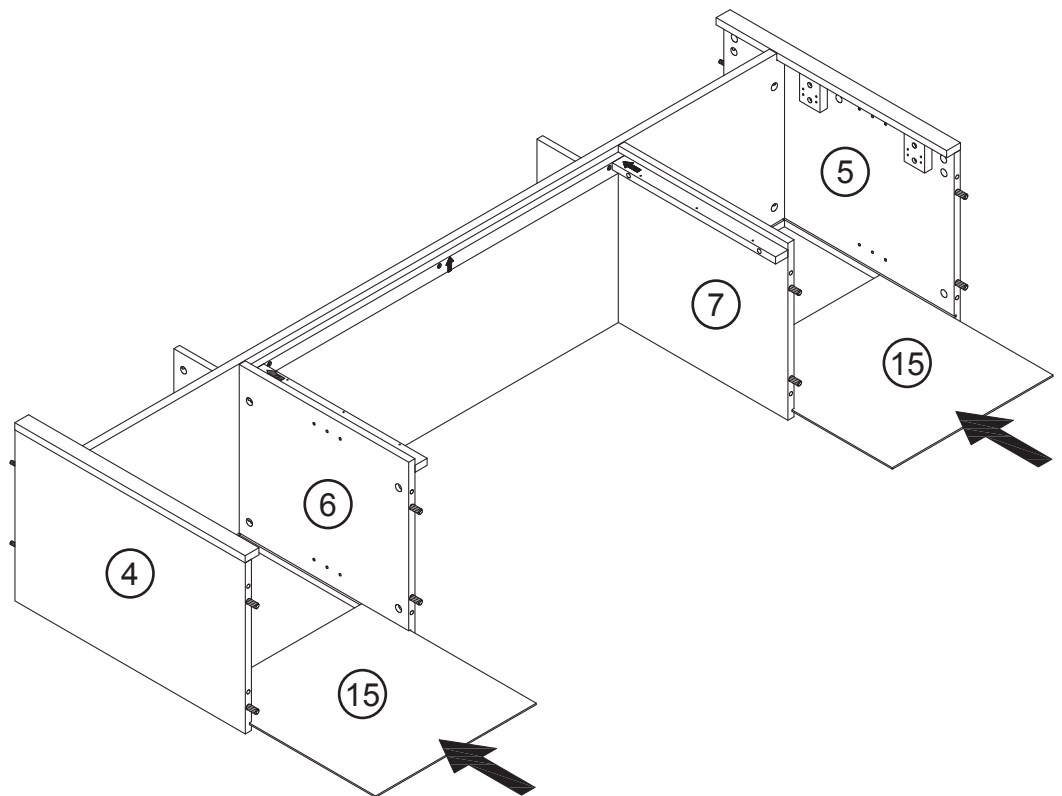


(E) 4x



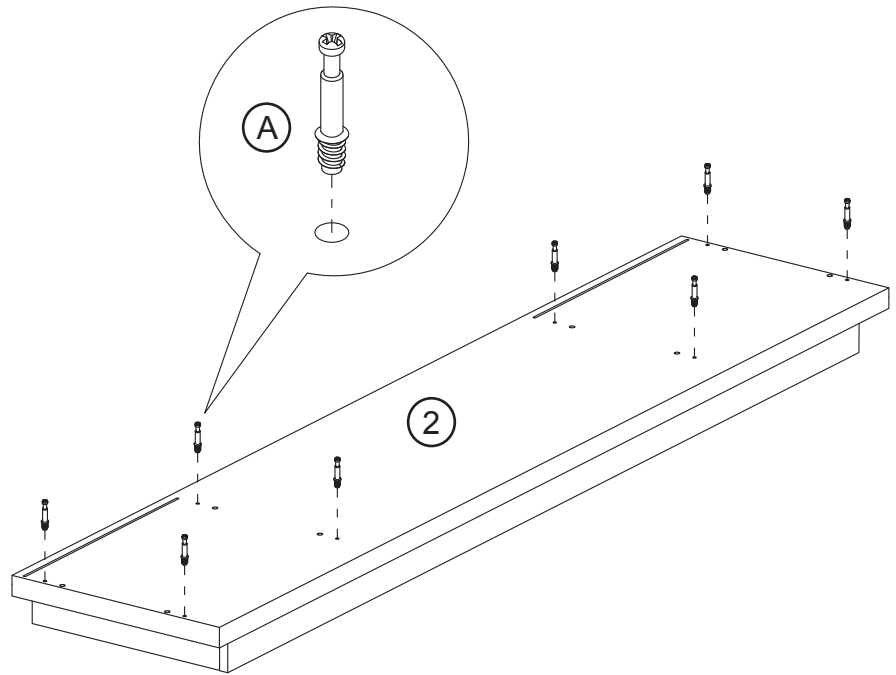
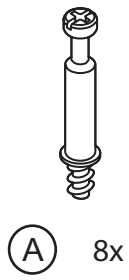
# 20

Slide the bottom side back panels (15) between the side panels and medial panels.



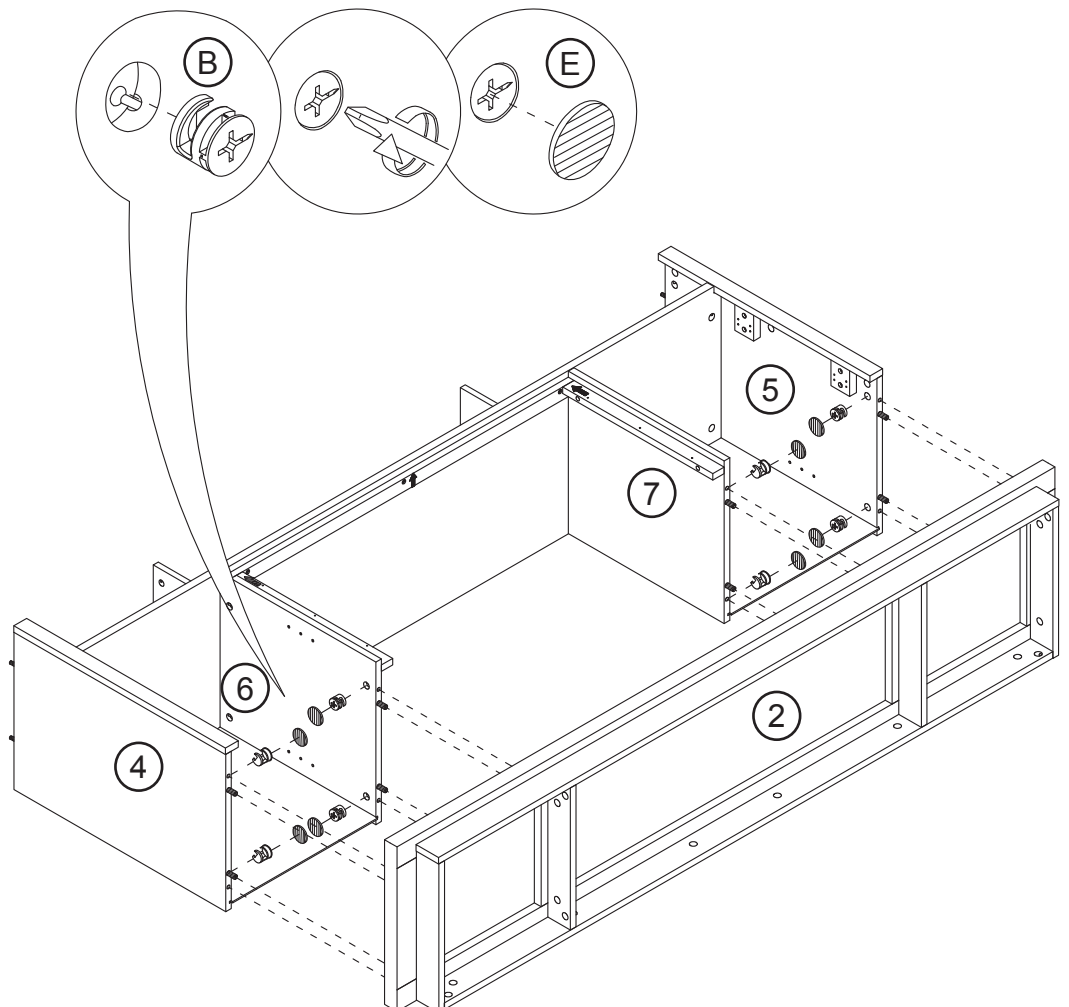
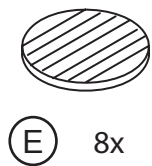
# 21

Attach cam bolts on top of the bottom panel (2).



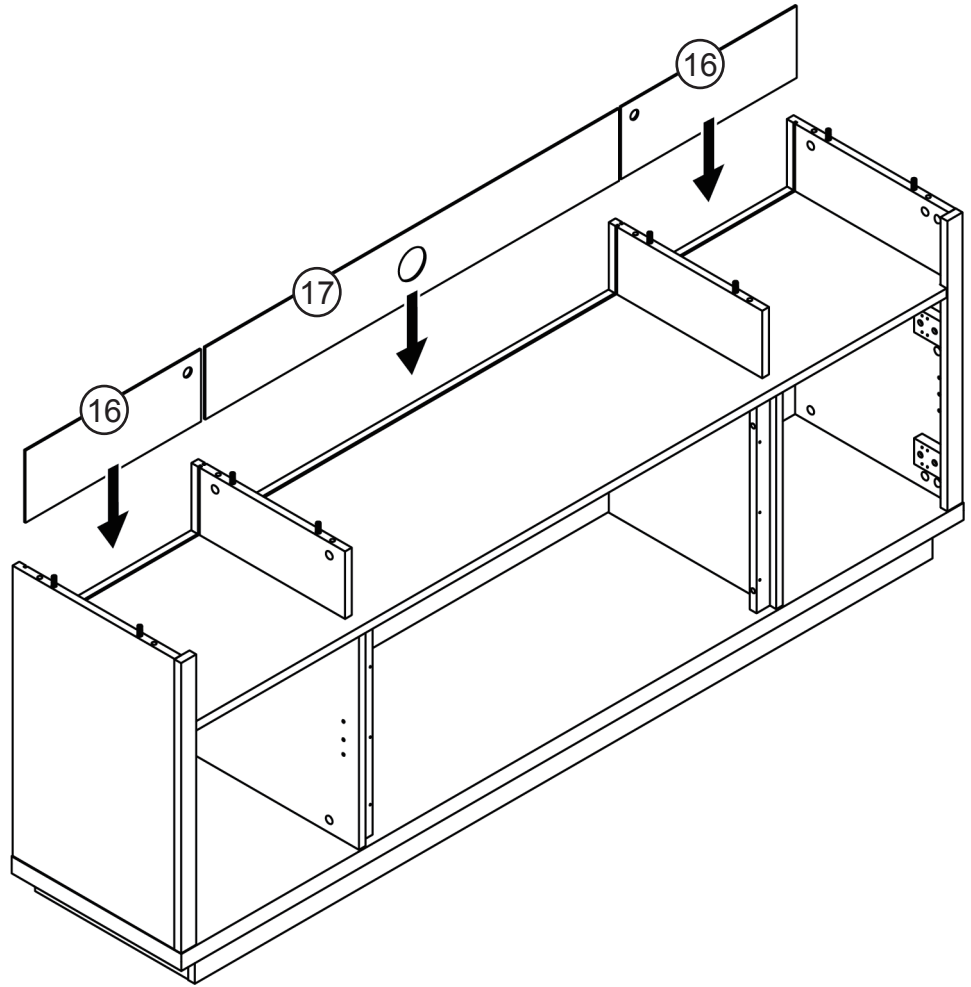
# 22

Assemble the cabinet assembly on top of the base assembly.



# 23

Slide in the upper side and center back panels (16, 17).

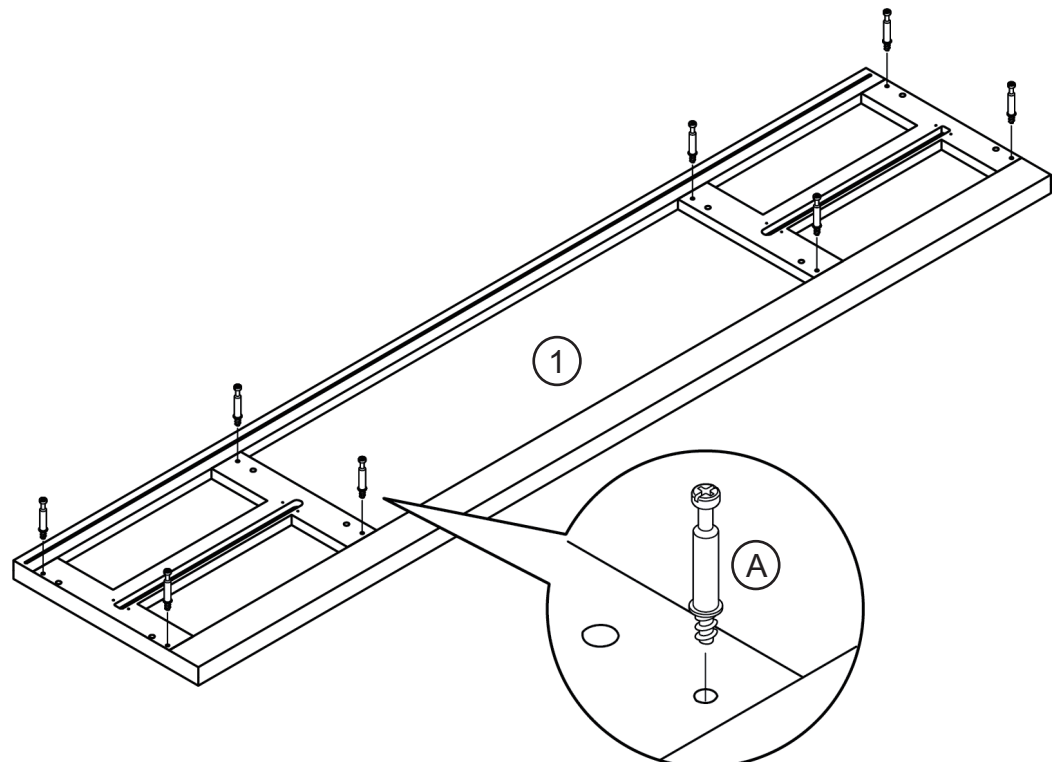


# 24

Attach cam bolts to the underside of the top panel (1).

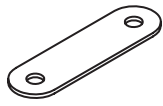


(A) 8x



# 25

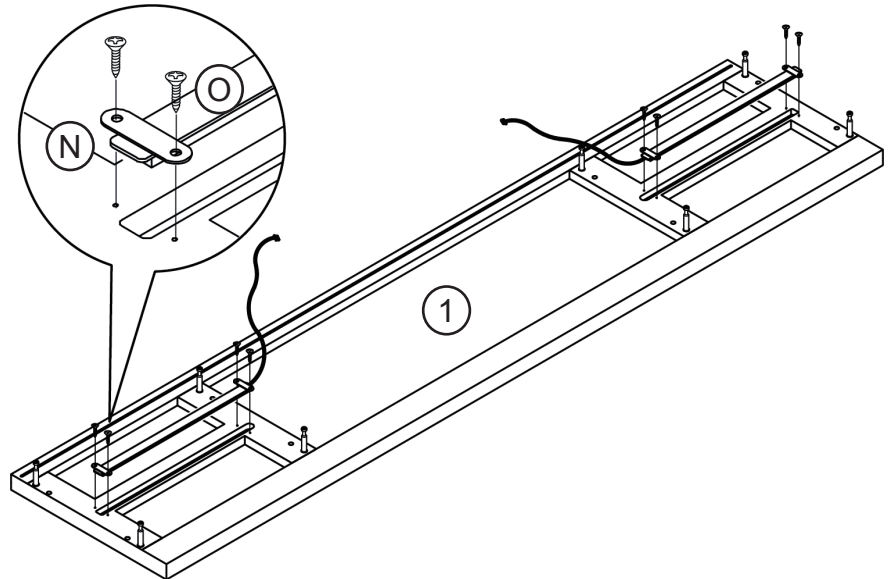
Assemble the LED light strip inside the top panel slot.



(N) 4x



(O) 8x

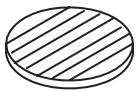


# 26

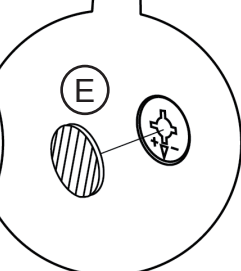
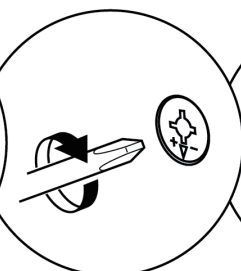
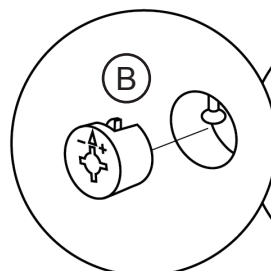
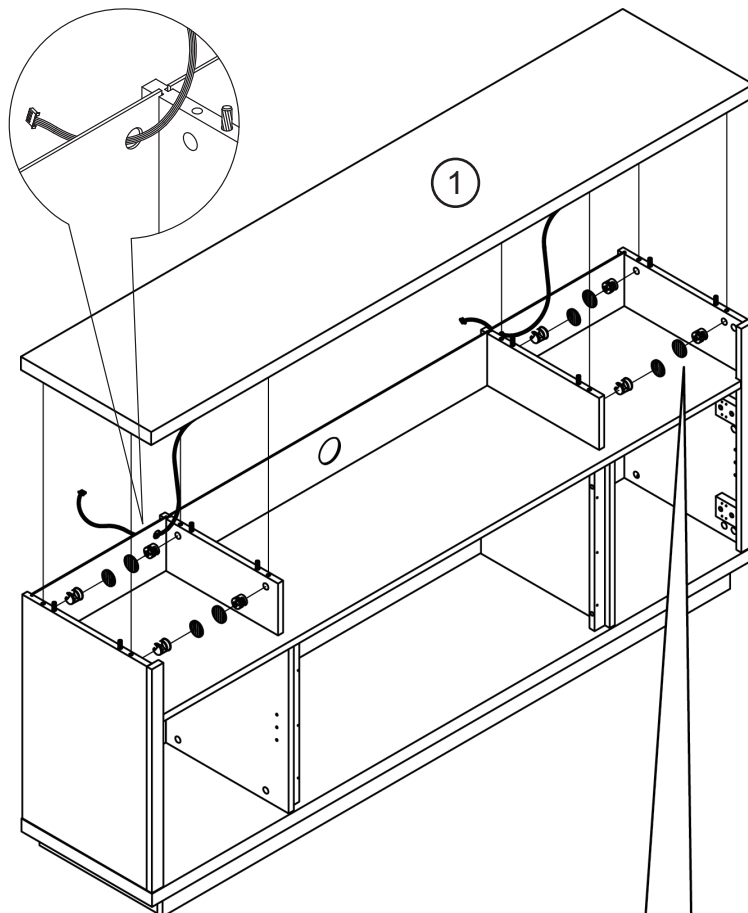
Assemble the top panel (1) on top of the cabinet assembly.



(B) 8x



(E) 8x



# 27

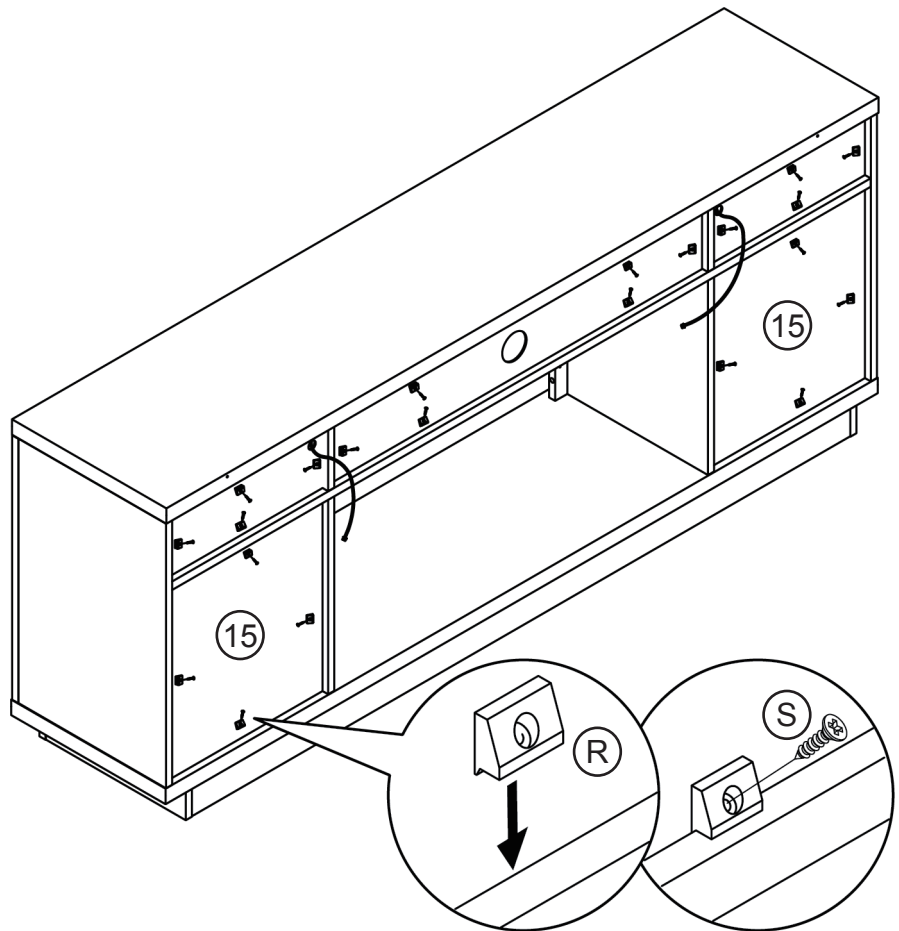
Secure all the back panels in place.



(R) 22x

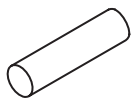


(S) 22x

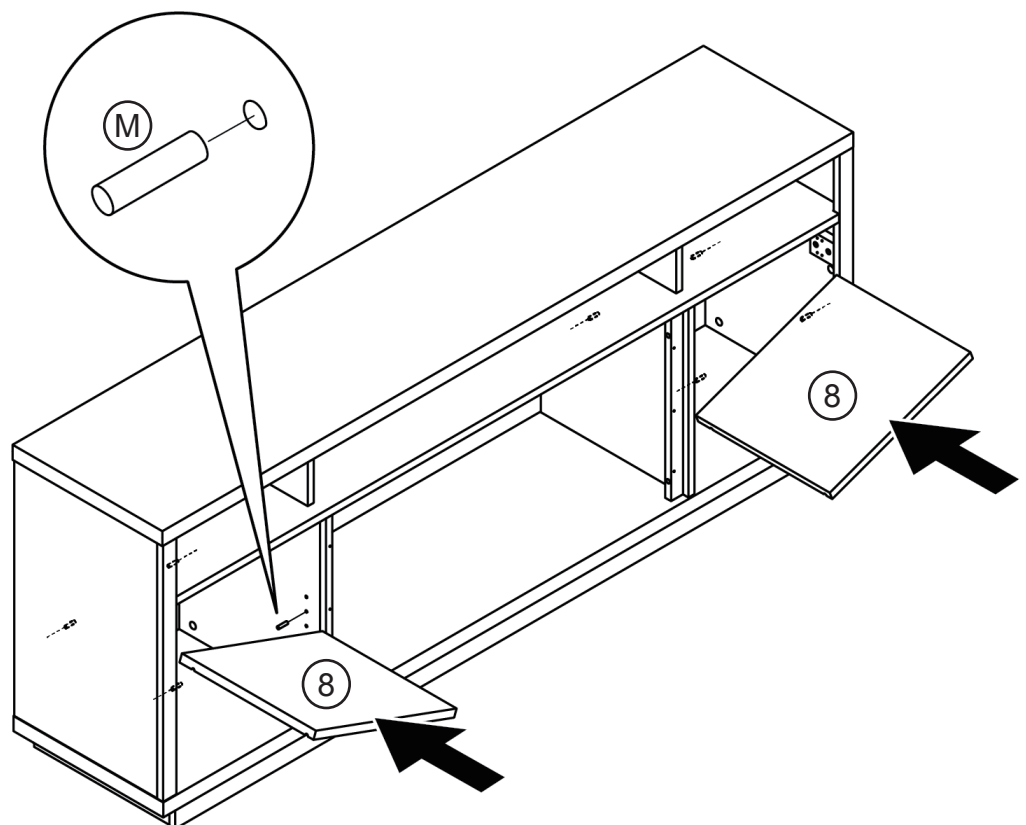


# 28

Insert shelf pegs into the cabinet and put on the storage shelf panels (8)



(M) 8x

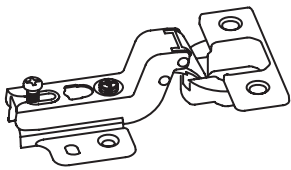


# 29

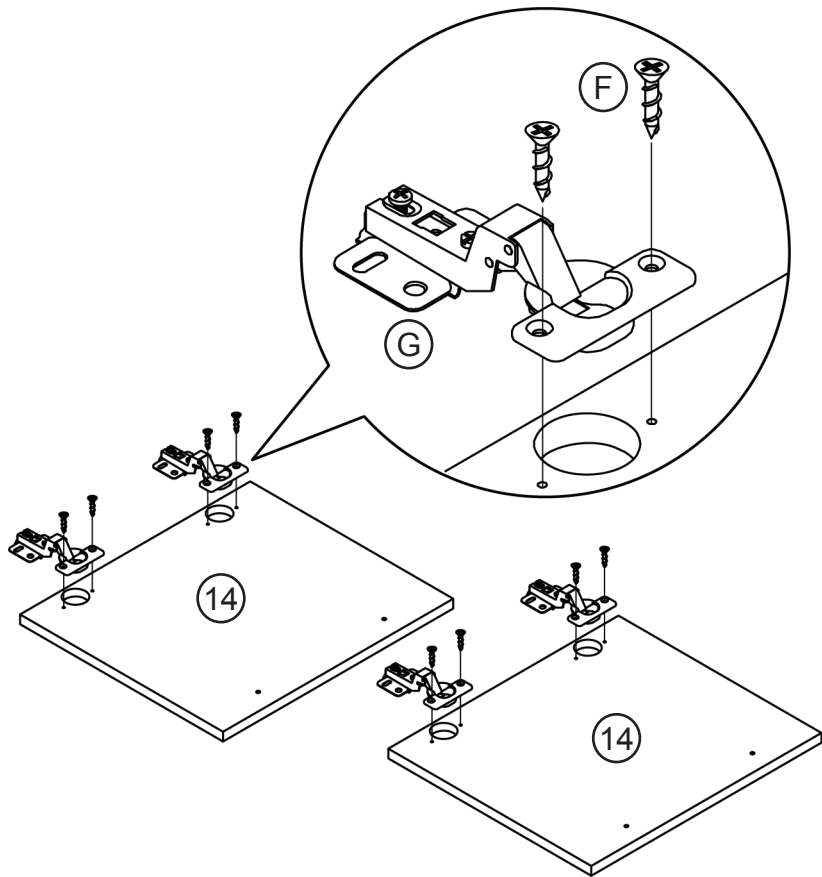
Attach door hinges to the cabinet doors (14)



(F) 8x

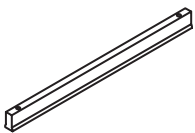


(G) 4x



# 30

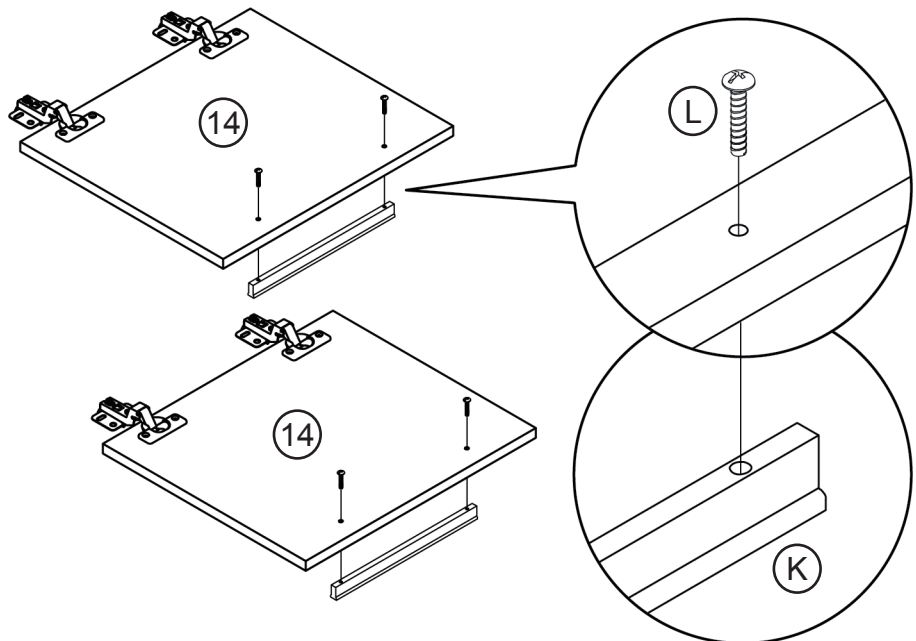
Attach door handle to the cabinet doors (14).



(K) 2x

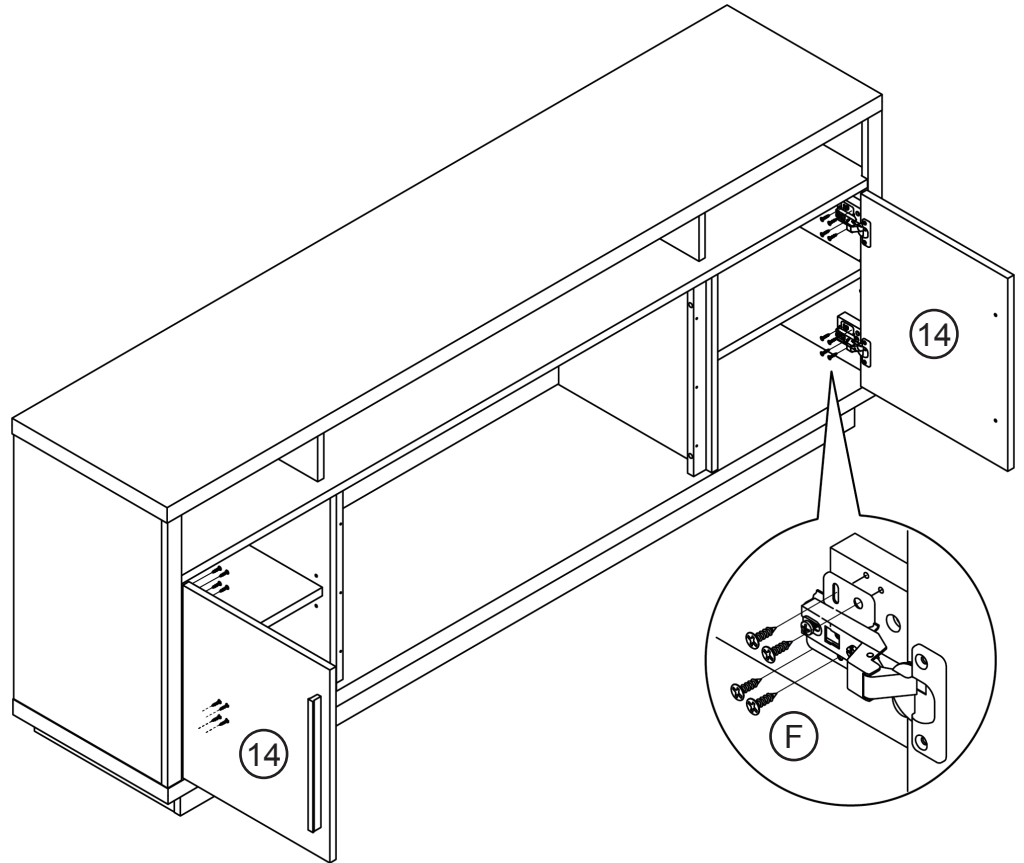


(L) 4x

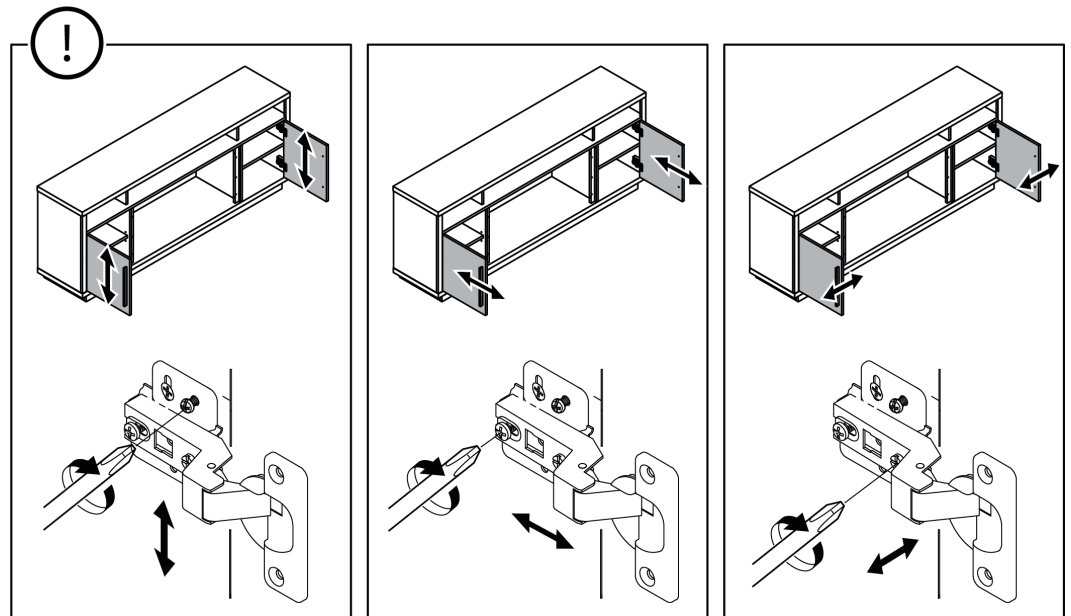


# 31

Attach the cabinet doors (14) to the cabinet



Adjust the position of the cabinet doors.



Up and down adjustment by loosening the screws on the mounting plate.

In and out adjustment by loosening the screws on the hinge arm.

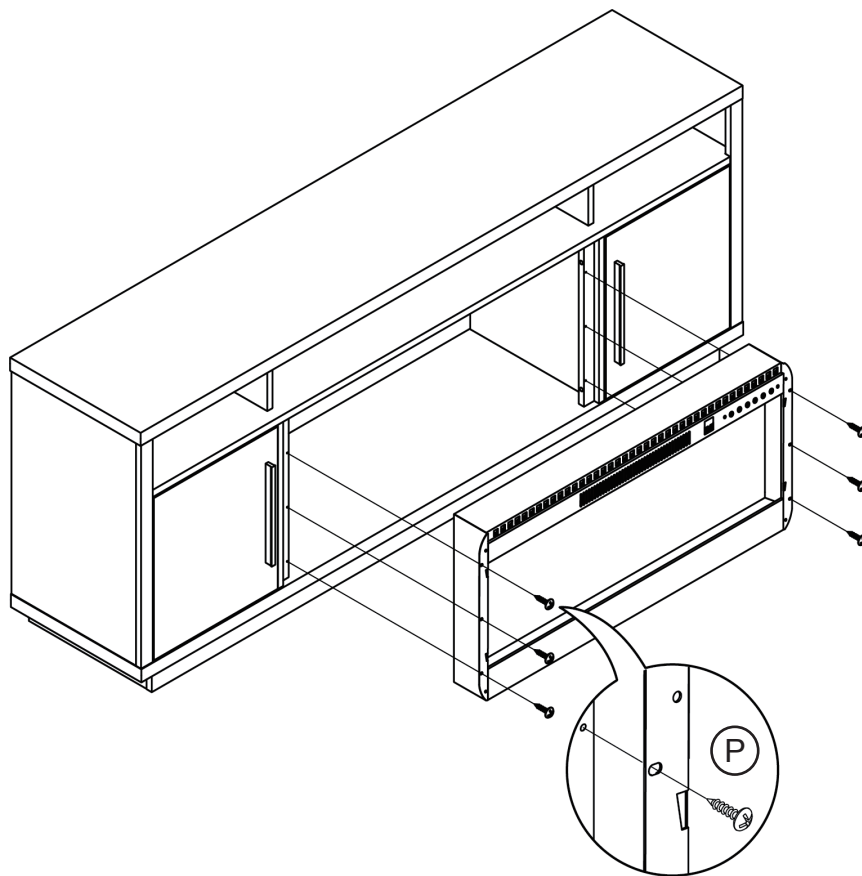
Side to side adjustment using the front adjustment screw on the hinge.

# 32

Attach fireplace to the cabinet.  
Set the unit from the front of the fireplace mantel and center it in the opening, check the alignment and attach the unit to the mantel by inserting screws through the drilled holes on the mantel.

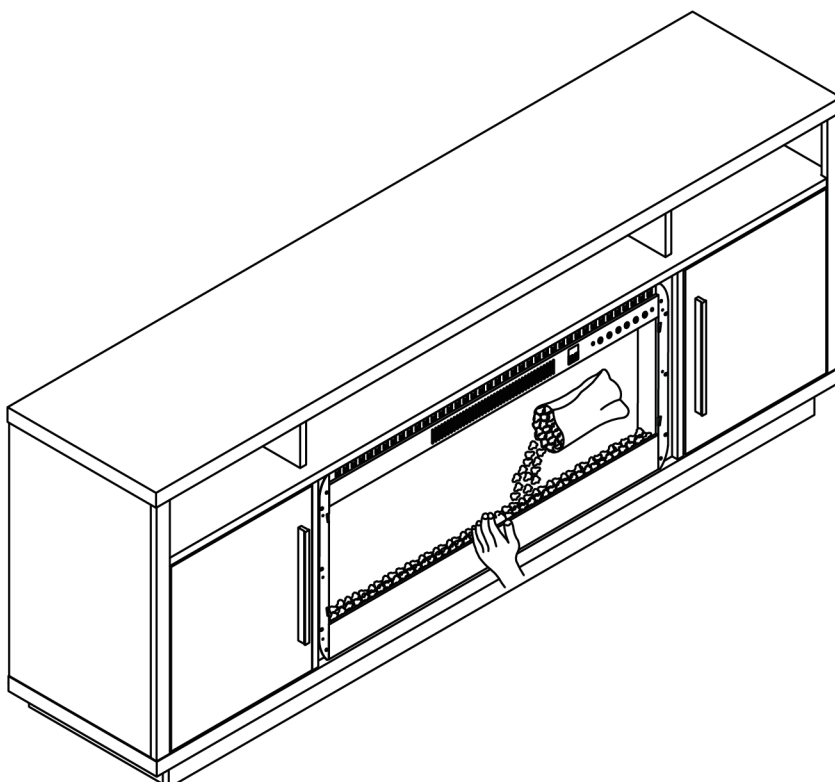


(P) 6x

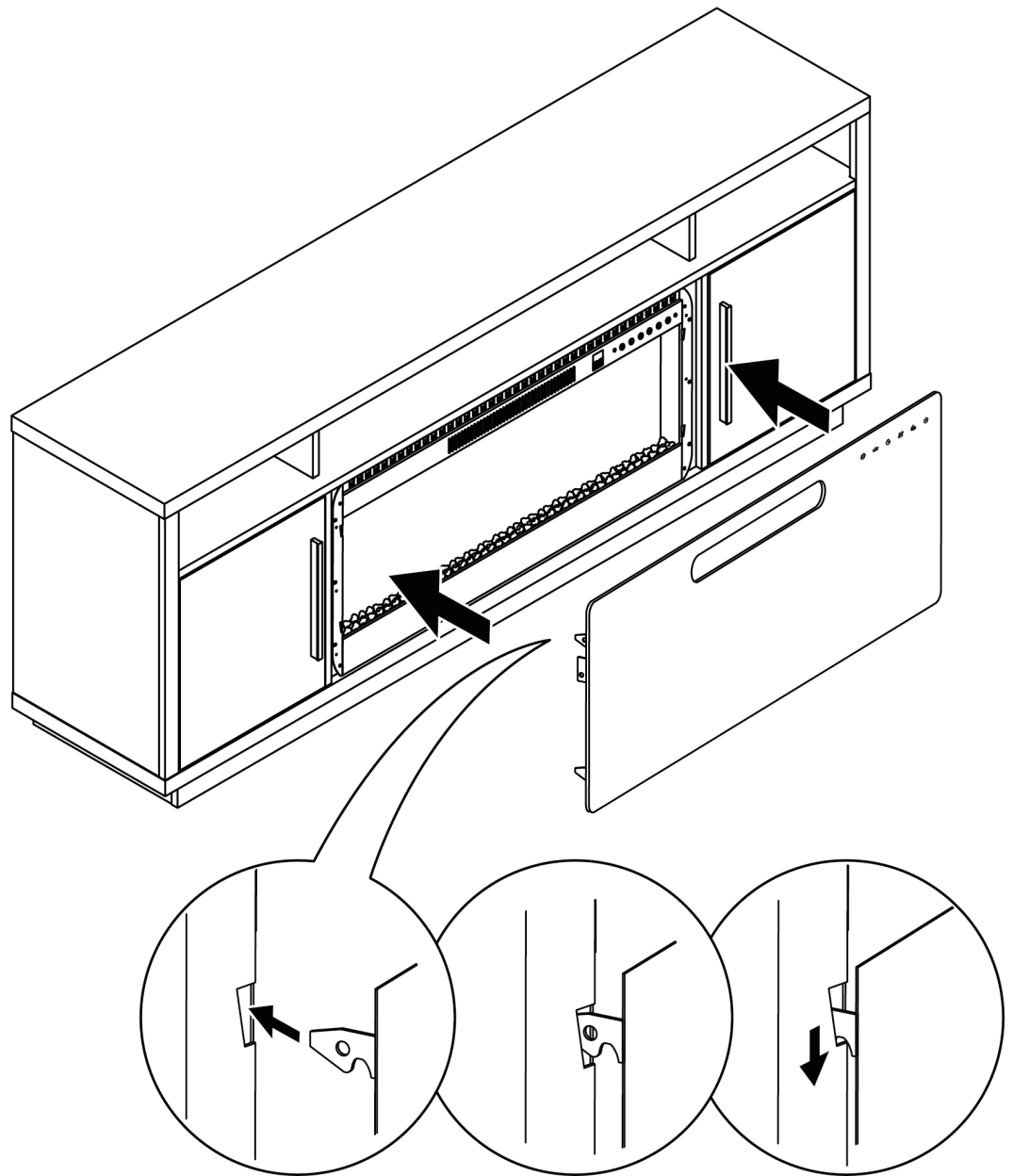


# 33

Place decorative crystals inside the fireplace.



Put on the front glass panel to the fireplace



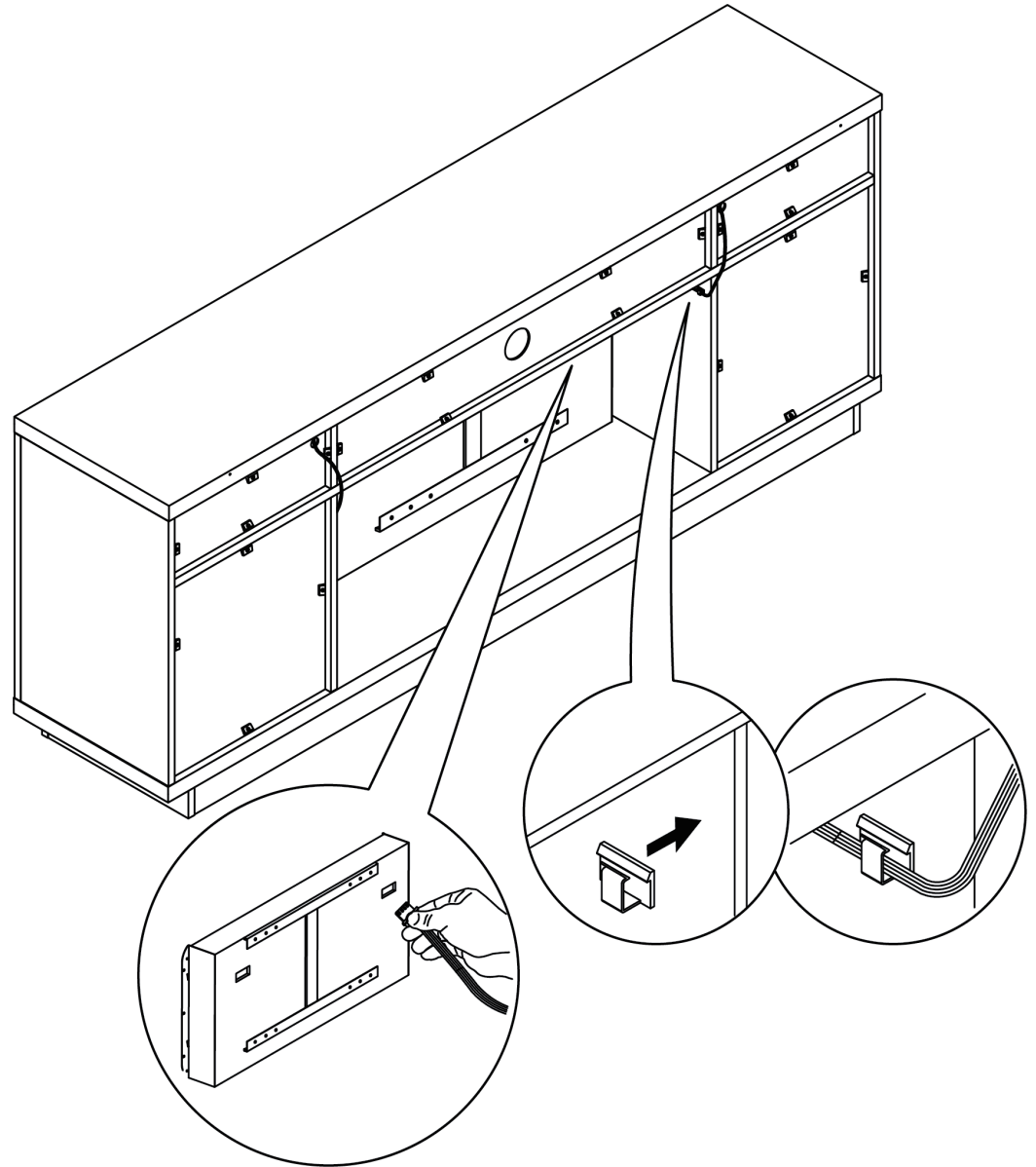
 CAUTION

Careful when handling glass to prevent injury or damage.  
For the exact instruction, please refer to the user's manual provided  
with the fireplace.

# 35

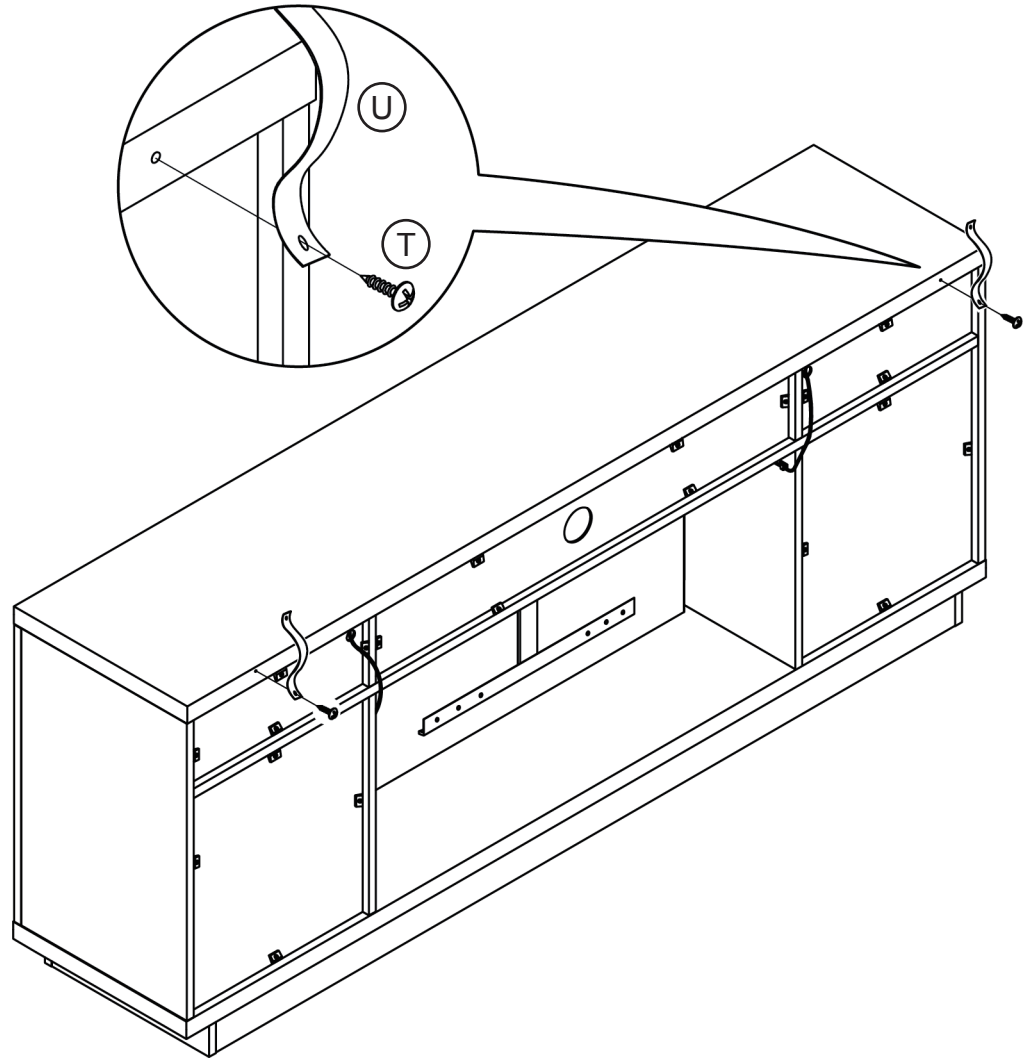
Connect the LED light strip cord to the fireplace. Use cable management clip to hold wires in place.

For the exact instruction, please refer to the user's manual provided with the LED light strip.



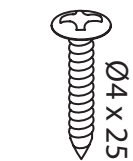
# 36

Attach anti-tipping straps to the back of the cabinet.



# 37

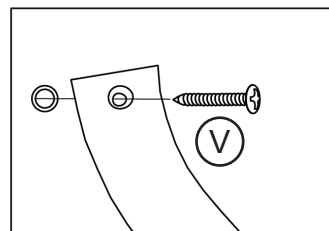
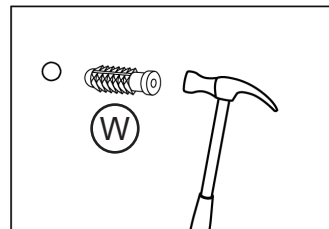
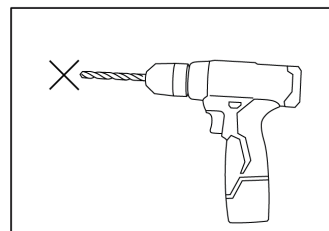
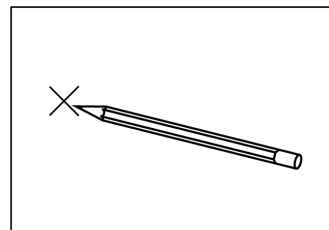
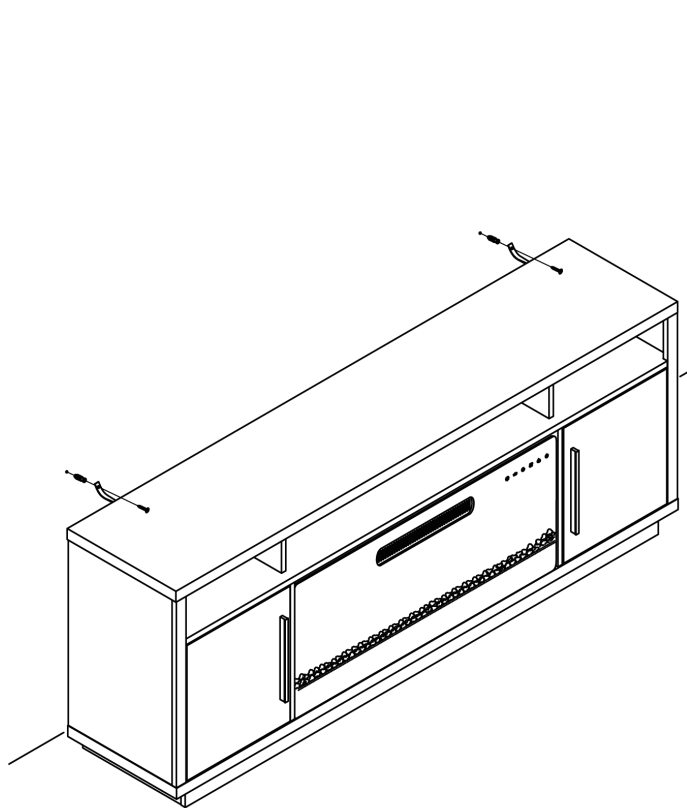
Affix the cabinet to a wall.



Ⓥ 2x



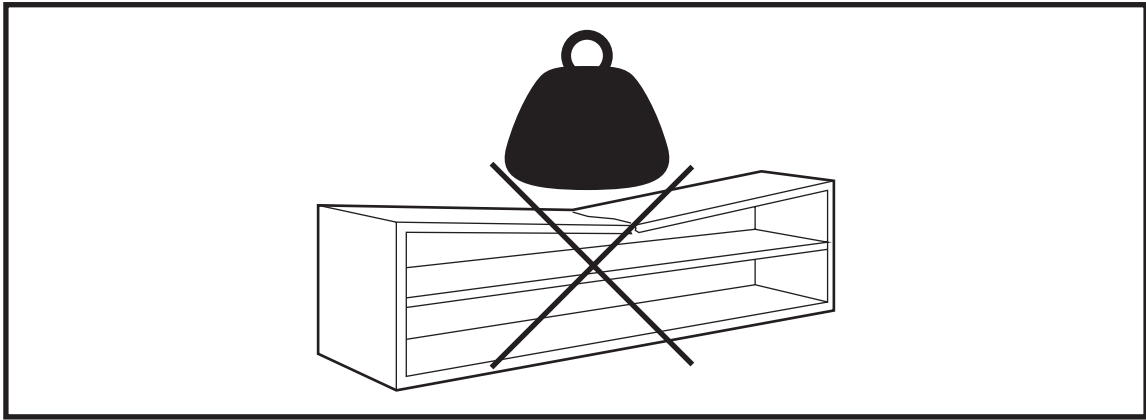
Ⓦ 2x



Furniture must permanently fixed to the wall stud with included anti-tipping device to prevent the furniture from tipping over.

- Mark the drill position on the wall with a pencil.
- Drill a small hole on the marked position.
- Insert a wall anchor into the drilled hole.
- Fixed the anti-tipping strap to the wall with provided screws.

## YOU'RE FINISHED!

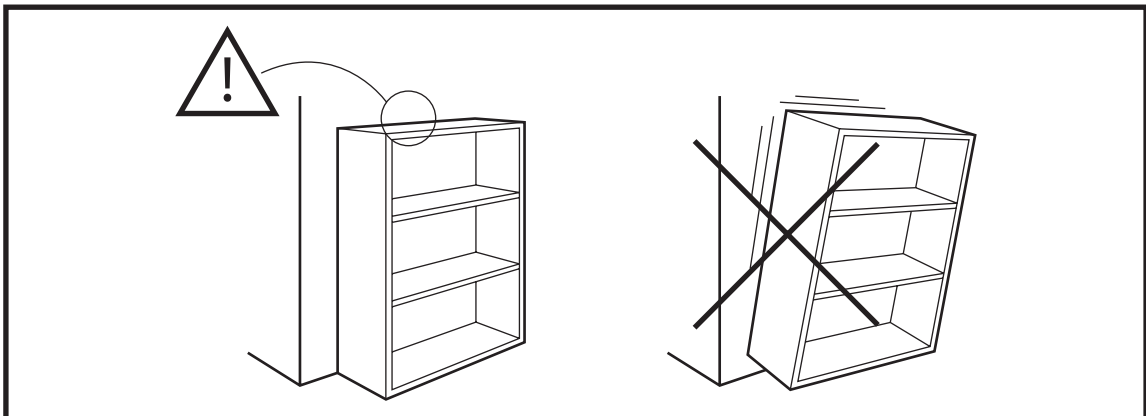


## Warning

Only place items on top of the product if they meet the recommended size and weight limits.

Climbing on, stepping on, or placing overweighted objects on the product may cause property damage and/or injuries.

Items placed onto this product must be resting on a support surface without hanging over the edges.



## Warning

Serious or fatal crushing injuries may occur if the furniture tip-over. Furniture must permanently affixed to the wall with included anti-tipping device in order to prevent the furniture from tipping over.

Different wall materials requires different types of wall anchors or screws. Use a suitable wall anchors or screws for your specific wall in order to secure the stability and load bearing capacity of the furniture. If you are uncertain about which type of device to use, please contact us or your local hardware store.

## WARNING

For use with televisions weighing 80lbs (36.3kg) or less. Use with heavier televisions may result in instability, causing tip over resulting in death or serious injury.

Death or serious injury may occur when children climb on audio and/or video equipment furniture. A remote control or toys placed on the furnishing may encourage a child to climb on the furnishing and as a result the furnishing may tip over on to the child.

Relocating audio and/or video equipment to furniture not specifically designed to support audio and/or video equipment may result in death or serious injury due to the furnishing collapsing or over turning onto a child.

## NOTICE

The recommended maximum width of the TV is 70 inches. Do not exceed the maximum load capacity.

This product is designed for flat panel TVs only.

# BELLEZE®

## FURNITURE CARE AND MAINTENANCE

Medium - Density Fiberboard

Thank you for your purchase. We want your item to last as long as possible. To ensure the product gives you years of longevity, please follow the recommendations in this care and maintenance guide.



### MAINTENANCE

- Tighten all bolts and screws again within the first 2 weeks of assembly.
- Check the tightness of all bolts every 2 months and tighten them if necessary.



### CLEANING

- Clean the surface of the MDF (medium - density fiberboard) with a lightly dampened cloth.
- A small amount of mild soap can be used if necessary.
- Dry the surface immediately after cleaning.

- ⚠ DO NOT use bleach or alcohol to clean the surface.
- ⚠ DO NOT apply wood treatment on parts made with MDF.

MDF will swell and distort when exposed to water damage. Make sure to dry the furniture immediately after cleaning.

## ⚠ WARNING

The manufacturer and seller are not responsible for any and all liability relating to personal injury, property damage or losses, whether direct, indirect, or incidental, resulting from the incorrect attachment, improper use, inadequate maintenance, unapproved modification or neglect of this product.

© All copyright of this document belongs to BELLEZE .  
This document may not be printed, translated, reproduced, or distributed in whole or in part without written permission from BELLEZE.

# WARRANTY

BELLEZE products come with a 1-year warranty from the date of delivery.  
**Register your product on our website to enjoy our limited lifetime warranty!**



## AFTER-SALE SERVICE



Encounter any difficulties or missing parts?



Contact us at **1-800-682-6376** or email us at **support@belleze.com**



We will send you replacement.



Hassle free!  
No need to worry about repackaging and sending your item back.

**We hope you enjoy your new BELLEZE furniture!**  
**Share your photos on Instagram and tag us: @bellezefurniture.**

**FOLLOW US:**



@bellezefurniture

**CONTACT INFO:**

support@belleze.com  
1-800-682-6376

**BELLEZE®**