



# **Installation Instructions**

**Belling 100/110cm Electric Induction : All Models**

## **Table Of Contents**

<b>MODELS COVERED BY THIS DOCUMENT .....</b>	<b>3</b>
<b>SAFETY &amp; WARNING INFORMATION .....</b>	<b>3</b>
<b>BEFORE INSTALLATION .....</b>	<b>6</b>
<b>DIMENSIONS &amp; CLEARANCES .....</b>	<b>7</b>
<b>CONNECTING TO THE ELECTRICITY SUPPLY TERMINAL BLOCK .....</b>	<b>9</b>
<b>COMMISSIONING .....</b>	<b>12</b>
<b>TECHNICAL DATA .....</b>	<b>13</b>
<b>ENERGY DATA TABLE .....</b>	<b>14</b>

# MODELS COVERED BY THIS DOCUMENT

Model Number:	Model Description:
444411801	BEL RCA COOKCENTRE 100Ei BLK
444411802	BEL RCA COOKCENTRE 100Ei STA
444411807	BEL RCA COOKCENTRE 110Ei BLK
444411808	BEL RCA COOKCENTRE 110Ei STA
444411831	BEL RCA FARMHOUSE 100Ei ANT
444411832	BEL RCA FARMHOUSE 100Ei BLK
444411833	BEL RCA FARMHOUSE 100Ei CRM
444411840	BEL RCA FARMHOUSE 110Ei ANT
444411841	BEL RCA FARMHOUSE 110Ei BLK
444411842	BEL RCA FARMHOUSE 110Ei CRM

## SAFETY & WARNING INFORMATION

Please read the following information carefully:

## WARNINGS



### Warning

We strongly recommend that this appliance is connected by a competent person who is a member of a 'Competent Person Scheme', who will comply with the required regulations.

Any servicing, maintenance or repair work on the appliance must only be carried out by authorised personnel.

Installation, maintenance and repair work that is carried out by unauthorised persons could be dangerous and could invalidate the manufacturer's warranty.



### Warning

Ensure that the appliance is switched off before replacing the lamp to avoid the possibility of electric shock.



### Warning

Danger of fire: do not store items on the cooking surfaces.

**Warning**

**Servicing should be carried out only by authorised personnel.**

**Warning**

**FAILURE TO INSTALL APPLIANCES CORRECTLY IS DANGEROUS AND COULD LEAD TO PROSECUTION.**

**Warning**

**Do not modify this appliance.**

**Warning**

**This appliance must be earthed.**

## CAUTIONS

**Caution**

**Make sure that you have removed all packaging and wrapping. Some of the items inside this appliance may have additional wrapping.**

**It is advised that you turn the ovens and/ or grill on for a short while. This will burn off any residues left from manufacturing. There may be a smell which accompanies this process - but this is nothing to worry about and is harmless.**

**It is recommended that you wash the oven shelves, baking tray, grill pan, and grill pan trivet before their first use in hot soapy water. This will remove the protective oil coating used during storage.**

**Caution**

**We recommend that this appliance is connected by a competent person who is a member of a 'Competent Person Scheme', who will comply with the required regulations.**

**Caution**

**Ensure that you route all mains cables well clear of any adjacent heat source.**

**Caution**

**Electrical connection should be made with a suitable flexible cable which can withstand a temperature rise of at least 70°C.**

**Caution**

**The space for air circulation, located underneath and at the back of the appliance, improves its reliability by ensuring that it will cool down efficiently.**

**Ensure that all specified vents, openings and air-spaces on the appliance are not blocked.**

**Make sure that air is able to circulate freely around the appliance.**

**Caution**

**Take care if moving the appliance, panel edges could be sharp. Failure to use caution could result in injury or cuts.**

**Do not attempt to lift or move the appliance by pulling on the door handles.**

# BEFORE INSTALLATION

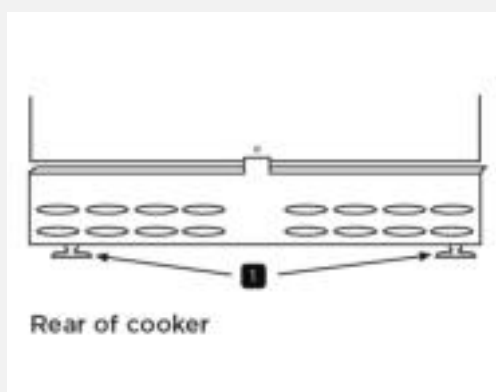
## LEVELLING YOUR COOKER



### Note

The levelling feet are supplied with two locknuts, which can be used when adjusting the cooker height to worktop heights between 900-930mm. When adjusting the cooker height to worktop heights a little lower than 900mm, please remove one of the locknuts from each foot to be able to adjust the height of the cooker lower.

1. Place a spirit level on a baking sheet onto an oven shelf.
2. The cooker is fitted with levelling feet (see below diagram). Level your cooker to your desired height using the levelling feet at the front and rear of the cooker.



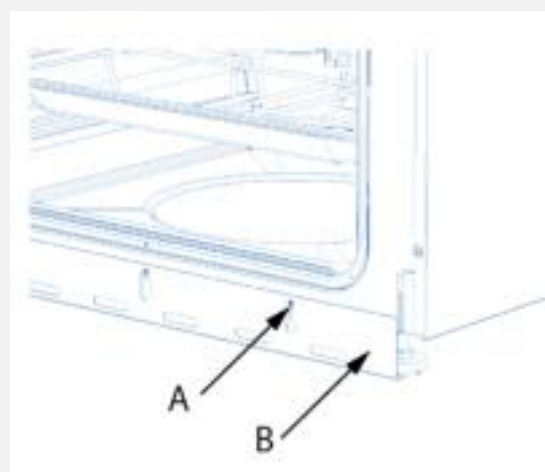
## REAR WHEELS (IF FITTED)

Adjustment of the wheel height can be made with a screw driver, through the hexagonal hole in the front plinth.

## FITTING THE DECORATIVE COVER PLINTH (IF REQUIRED)

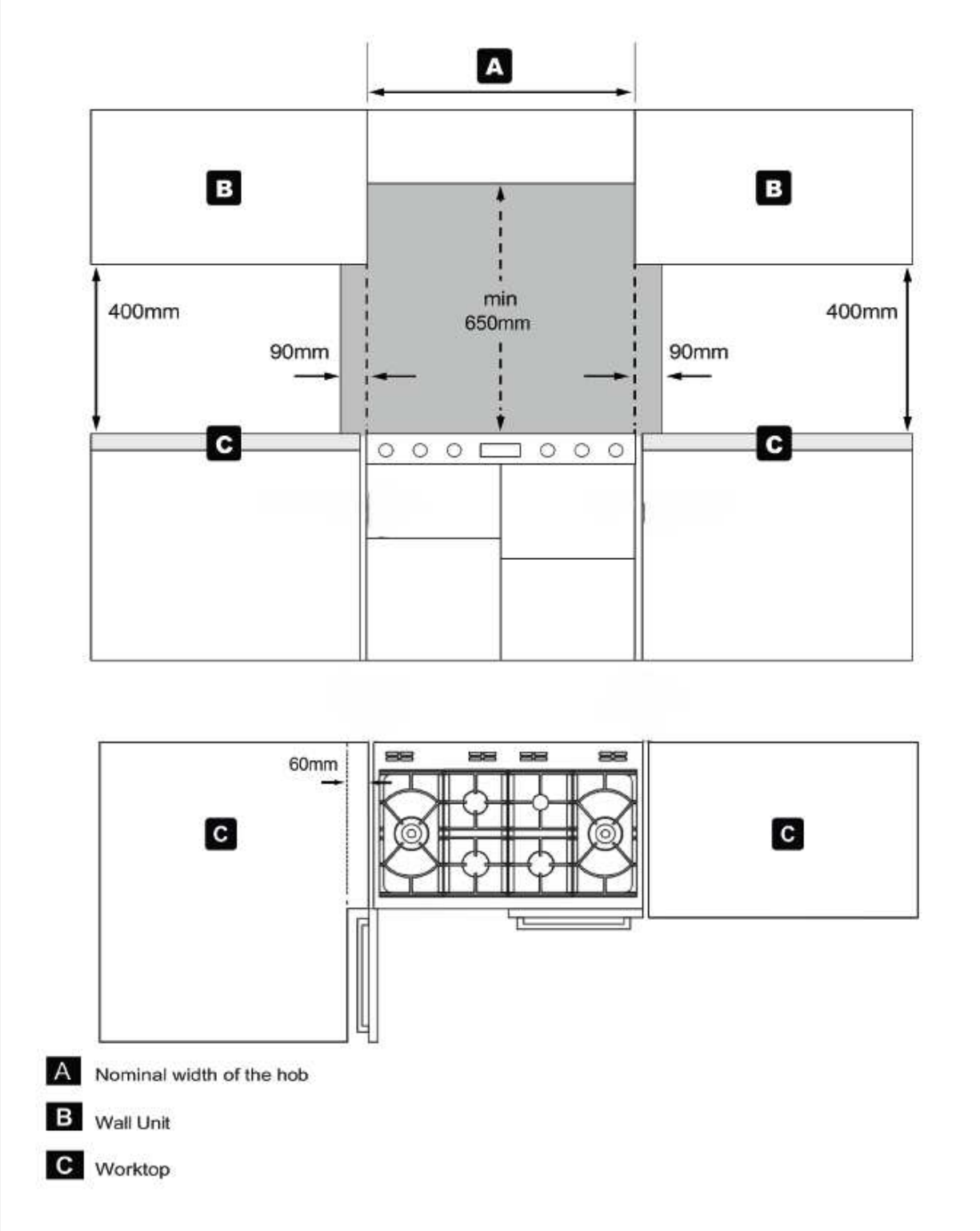
If the levelling feet have been adjusted so that the cooker has been raised higher and the feet are visible, the decorative cover plinth can be attached to help conceal the feet as follows:

1. Release the screws (A) by a couple of turns using a hand screwdriver. Do not remove the screws completely.
2. Align the keyway slots in the cover plinth (B) with the screws (A) and hang the cover plinth on the screws.
3. Adjust the cover plinth to the required position.
4. Tighten the screws hand-tight to hold the cover plinth in position. Do not use power tools.



# DIMENSIONS & CLEARANCES

## CUPBOARD/HOOD CLEARANCES



The hot-zone area is shown shaded in grey. This area must be kept free of combustible materials.

### **CUPBOARD/ HOOD CLEARANCES**



#### **Warning**

**No shelf or overhang of combustible material, or cooker hood, may be lower than 650mm above the hob.**

- **If your appliance has a side opening door, we recommend a side clearance of 60mm to allow the oven door to fully open, if the appliance is placed next to a wall or side cabinets at a right angle. This side clearance is not required if the appliance is installed in between a run of units.**
- **The area above and either side of the hob level must be kept clear of combustible materials for 90mm in the horizontal plane, up to a height of 400mm in the vertical plane.**
- **The cooker may be fitted flush to the adjacent kitchen base units.**

# CONNECTING TO THE ELECTRICITY SUPPLY TERMINAL BLOCK



## Warning

**This appliance must be earthed.**

This appliance must be connected by a competent person, who is a member of a recognised 'Competent Persons Scheme' and who will comply with all EU and local regulations.

The maximum power is detailed in the technical data tables towards the back of this manual and on the rating label placed on the back of the appliance.

For all types of connection (three-phase or single-phase), leave in place the connecting bars situated on the neutral connecting terminals.

Then, fit the neutral and earth power cables to the corresponding connecting terminals. Firmly tighten the screws, but without forcing too much.

**Single-phase:** Concerning a single-phase connection, place both brass connecting bars between L1 + L2 + L3. Then, link the mains supply's phase live wire to the L2 connecting terminal.

Finally, tighten all the connecting terminals' screws without forcing too much (see diagram).

**Multi-phase:** Concerning a tri-phase connection, remove the brass connecting bars from the live terminals and connect respectively the 3 cables of the 3 phases to each of the corresponding terminals: L1 to L3.

Leave in place the neutral connecting bars.

The appliance must be fitted to a switch providing all pole disconnection with a minimum contact separation of 3mm.



## Note

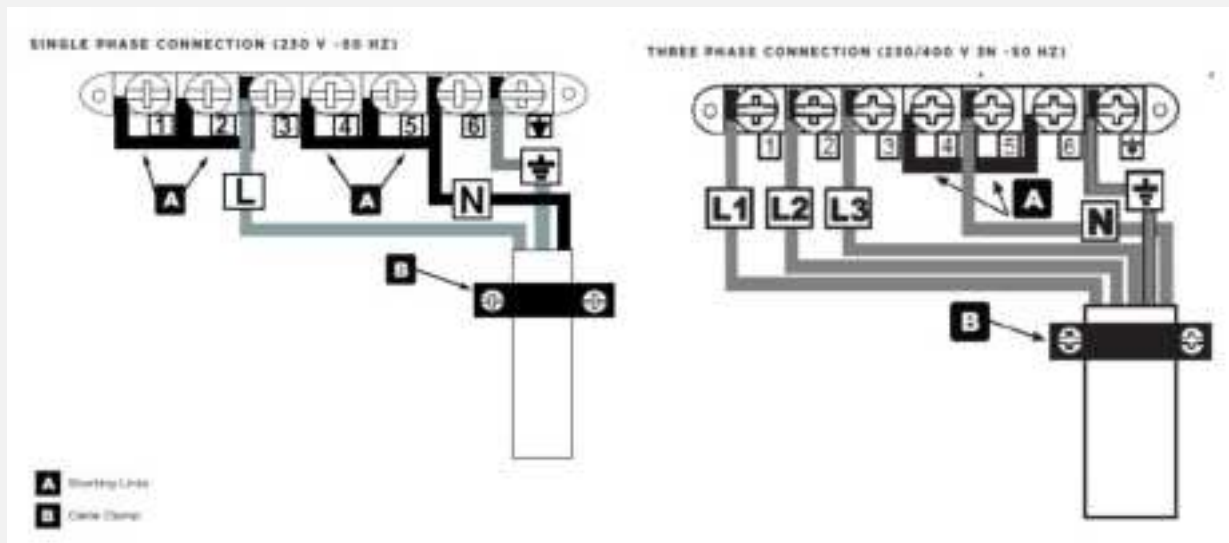
**The terminal block screws and clamps can be damaged by excessive tightening and untightening.**

**DO NOT USE POWER TOOLS!**

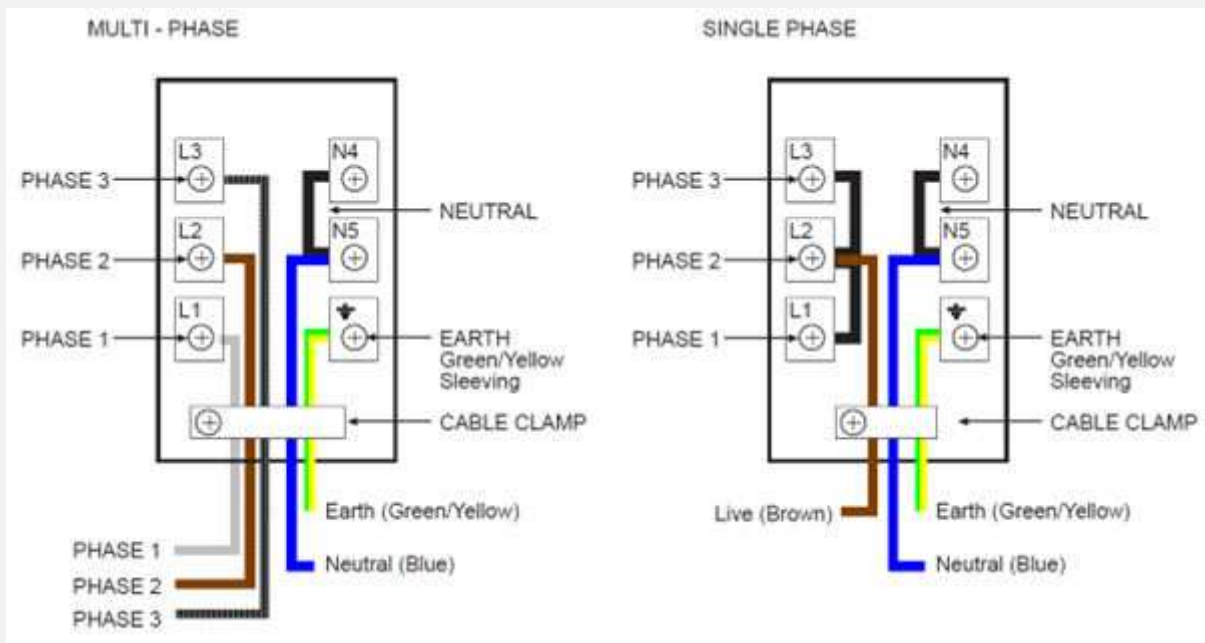


## Important

**For installation purposes you will have one of the following terminal block connections. Please use the one that is fitted to your appliance for installation.**



Connect cable L to terminal 3. Connect cable N to terminal 6. Earth to terminal. Ensure shorting links are fitted between terminals 1-2, 2-3, 4-5 and 5-6.



1. Access to the mains terminal is gained by removing the terminal block cover at the rear of the appliance (if fitted).
2. Connection should be made with a suitable flexible cable.
3. First strip the wires then push the cable through the cable clamp.
4. Connect the cable to the terminal block and tighten the cable clamp screws (see diagram).
5. Refit the terminal box cover.
6. Sufficient cable should be used to allow the cooker to be pulled out but must hang clear of the floor so it does not become twisted or trapped when the cooker is pushed back.
7. Please ensure that the user has a copy of the Quick Start Guide and the appliance is in place.
8. The appliance will be fitted with the terminal block shown above; for multi-phase installations please remove the

**links from terminals L1, L2 and L3 only.  
Leave neutral links fitted to terminals N4  
and N5.**

- 9. Close the terminal box, ensuring that the cover is engaged on the locking tabs.**

# COMMISSIONING

## CHECK OPERATION OF ELECTRICAL COMPONENTS

### Clock Programmer/ Minute Minder

- Check functions as described in the Quick Start Guide.
- Set the time of day on the timer.

### Oven Light & Convection Fan

- Open the main oven door. Turn the main oven control knob to the defrost setting. Check the oven light and convection fan both come on. Turn control knob back to 'OFF' position.

If you are satisfied that the cooker is operating correctly, turn it off and show the customer how to use it. Make sure you ask the customer to operate the clock (if fitted) and controls.



#### **Note**

**If the cooker does not perform correctly, inform the customer of the problem and put a warning notice on the cooker. If the problem is dangerous, then disconnect the cooker. If there is a fault then the customer should be advised to contact the manufacturer's local service organisation or the retailer.**

Before leaving the installation hand over the Quick Start Guide to the customer.

# TECHNICAL DATA



**Warning**  
**This cooker must be earthed.**

<b>Data badge</b>	Lower part of the front frame
<b>Appliance class</b>	Class 1 - freestanding cooker
<b>Electrical supply</b>	230 - 400V ~3N ~ 50 Hz
<b>Load</b>	17220W (Induction Unit 10200W)
<b>Standard Oven Light</b>	25W

<b>Hob Top Hotplate</b>	<b>Electrical Supply</b>	<b>Zone Load (W)</b>
Electric	230V	Left hand front 1800W (2100W Boost)
		Left hand rear 1800W (2100W Boost)
		Right hand front 1200W (1500W Boost)
		Right hand rear 1800W (2100W Boost)
		Centre 2300W (3000W Boost)
		N/A

<b>Appliance Electrical Supply</b>	<b>Oven Cavity &amp; Function Load (W)</b>
230V	Left-hand main oven: Conventional Oven 2229W
	Right hand main cavity: Fanned Oven- Air Fry 3166W
	Top cavity: Single grill 1561W

# ENERGY DATA TABLE

Regulation (EU) 66/2014:

<b>Model Identification: Belling 100/110cm Electric Induction : All Models</b>	
<b>Brand:</b>	<b>Belling</b>
<b>Size:</b>	<b>100cm or 110cm</b>

## Energy Efficiency For Oven

<b>Oven</b>	<b>Cavity 1</b>	<b>Cavity 2</b>	<b>Cavity 3 (if applicable)</b>
<b>Mass of the appliance (M): 102.0 kg for 100cm models; 110.0 kg for 110cm models</b>			
<b>Number of cavities: 2</b>			
<b>Location:</b>	<b>Bottom-left</b>	<b>Top-right</b>	<b>N/A</b>
<b>Type of oven:</b>	<b>Electric Oven</b>	<b>Electric Oven</b>	<b>N/A</b>
<b>Heat source per cavity:</b>	<b>Electricity</b>	<b>Electricity</b>	<b>N/A</b>
<b>Volume per cavity (V):</b>	<b>64 Litres</b>	<b>60 Litres</b>	<b>N/A</b>
<b>Energy consumption (electricity consumed) per cycle in conventional mode (EC<sub>electric cavity</sub>):</b>	<b>0,75 kWh</b>	<b>N/A</b>	<b>N/A</b>
<b>Energy consumption (electricity consumed) per cycle in fan-forced convection mode (EC<sub>electric cavity</sub>):</b>	<b>N/A</b>	<b>0,74 kWh</b>	<b>N/A</b>
<b>Energy efficiency index per cavity (EEI<sub>cavity</sub>):</b>	<b>91,5</b>	<b>92,5</b>	<b>N/A</b>
<b>Energy efficiency class:</b>	<b>A</b>	<b>A</b>	<b>N/A</b>

## Energy Efficiency For Hob

<b>Hob</b>	
<b>Type of hob:</b>	<b>Electric</b>
<b>Number of cooking zones and/or areas:</b>	<b>7</b>
<b>Heating technology:</b>	<b>Induction cooking zones and areas</b>

<b>Electric Zone:</b>	<b>Location:</b>	<b>Useful surface area per electric heated cooking zone:</b>	<b>Energy consumption per cooking zone or area (EC<sub>electric cooking</sub>):</b>
<b>Zone 1</b>	<b>Front-left</b>	<b>21.5cm wide by 19.0cm long</b>	<b>191.3 Wh/kg</b>
<b>Zone 2</b>	<b>Back-left</b>	<b>21.5cm wide by 19.0cm long</b>	<b>194.2 Wh/kg</b>
<b>Zone 3</b>	<b>Centre</b>	<b>23.0 cm diameter</b>	<b>189.6 Wh/kg</b>
<b>Zone 4</b>	<b>Back-right</b>	<b>20.0 cm diameter</b>	<b>190.7 Wh/kg</b>
<b>Zone 5</b>	<b>Front-right</b>	<b>16.5cm diameter</b>	<b>194.0 Wh/kg</b>
<b>Zone 6</b>	<b>Left-hand bridged area</b>	<b>21.5cm wide by 38.0cm long</b>	<b>195.6 Wh/kg</b>

<b>Energy consumption for the hob (EC<sub>electric hob</sub>):</b>	<b>192.6 Wh/kg</b>
--	--------------------

*Energy consumption measured in accordance with EN 60350-1 and EN 60350-2*

**Glen Dimplex Home Appliances, Element, Temple Court, Risley,  
Warrington, WA3 6GD.**

**0344 815 3746**

**[www.belling.co.uk](http://www.belling.co.uk)**

**GDHA Part Number: 094125501**

**40400400690**

