

Bestway®

58330

©2023 Bestway Inflatables & Material Corp.

All rights reserved/Tous droits réservés/Todos los derechos reservados/Alle Rechte vorbehalten/Tutti i diritti riservati

Trademarks used in some countries under license from/

Marques utilisées dans certains pays sous la licence de/

Marcas comerciales utilizadas en algunos países bajo la licencia de/

Die Warenzeichen werden in einigen Ländern verwendet unter Lizenz der/

Marchi utilizzati in alcuni paesi concessi in licenza a

Bestway Inflatables & Material Corp., Shanghai, China

Manufactured, distributed and represented in the European Union by/

Fabriqués, distribués et représentés dans l'Union Européenne par/Fabricado, distribuido y representado en la Unión Europea por/

Hergestellt, vertrieben und in der Europäischen Union vertreten von/Prodotto, distribuito e rappresentato nell'Unione Europea da

Bestway Europe S.p.a., Via Resistenza, 5, 20098 San Giuliano Milanese (Milano), Italy

Distributed in Latin America by/Distribué en Amérique latine par/Distribuido en Latinoamérica por/Distribuido en América Latina por

Bestway Central & South America Ltda, Salar Ascotan 1282, Parque Enea, Pudahuel, Santiago, Chile

Distributed in Australia & New Zealand by **Bestway Australia Pty Ltd, Unit 2/98-104 Carnarvon St Silverwater, NSW 2128, Australia**

Tel: Australia: +61 2 9037 1388; New Zealand: +0800 142 101

Distributed in United Kingdom by **Bestway Corp UK Ltd, 8 Wentworth Road, Heathfield Industrial Estate, Newton Abbot, Devon, TQ12 6TL**

Exported by/Exporté par/Exportado por/Exportiert von/Esportato da

Bestway (Hong Kong) International Ltd./Bestway Enterprise Company Limited

Suite 713, 7/Floor, East Wing, Tsim Sha Tsui Centre, 66 Mody Road, Kowloon, Hong Kong

www.bestwaycorp.com

1.07m (42") Pool Ladder

Model: 58330

OWNER'S MANUAL

Read all the instructions before assembling and using the ladder.

WARNING

- Locate ladder on a solid base.
- Only one person should use the ladder at a time.
- The ladder shall be installed per manufacturer's instructions.
- When entering/exiting the pool, face the ladder at all times.
- Secure ladder when the pool is not occupied or there is no adult.
- Do not attempt to dive from the ladder, pool side, or nearby object.
- The ladder should only be placed in the pool when proper adult supervision is present and attentive.
- Pool users should swim and play away from the ladder area. The ladder may cause injury to pool users if not regarded as a potential hazard.
- Always check ladder assembly screws and retention clips, splinters or any sharp edges before use.
- Monitor bolts and keep them away from children.
- This ladder is designed to be used in the pool for entering and exiting. Do not use the ladder for any other purpose.
- Keep all small ladder parts out of the reach of children.
- The ladder is not a toy, use caution when using.
- Ignoring maintenance requirements may result in serious health risks, especially for children.

Please read carefully and keep for future reference.

-EN 16582.

-Secured means of access

For information concerning product questions, please visit our website at: www.bestwaycorp.com

ASSEMBLY

- Ladder assembly requires a crosshead screwdriver and an adjustable wrench.
- Drawings are for illustration purpose only. May not reflect actual product. Not to scale.
- Remove and secure the ladder from the pool to prevent children from entering the pool when unsupervised by an adult.
- The ladder is equipped with a removable part that is not a replacement for competent adult supervision.

MAINTENANCE AND STORAGE

- Always remember to check the ladder before each use. Change the screws or retention clips if there is any rust.
- Make sure the ladder is clean and dry before storing. Place it in a cool, dry location out of children's reach.



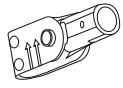
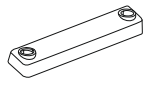


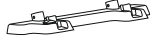




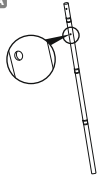

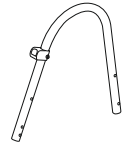
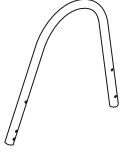
WINTERIZATION

- Remove the ladder from the swimming pool during the off-season (winter months). Carefully disassemble all the components and dry thoroughly.

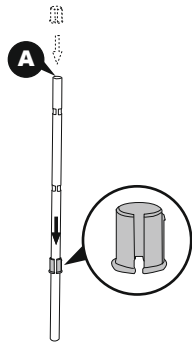
SPECIFICATION

Maximum load weight: 150kg (330lbs).

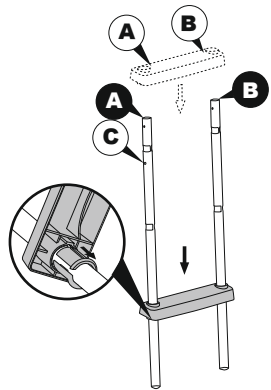
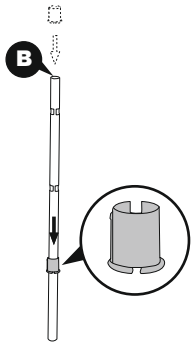
The 1.07m (42") ladder is designed and manufactured for maximum 1.07m (42") wall height and 30cm (11.8") wall width pools.

1 	2 	3 	4 	5 
(M6x43)x9	(M6x35)x6	x2	x6	x12
6 	7 	8 	9 	10 
x1	x1	x2	x1	x1
11 	12A 	12B 	13A 	13B 
x2	x1	x1	x1	x1

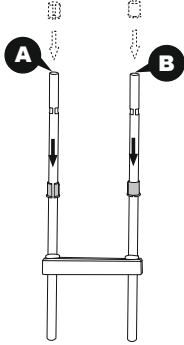
1



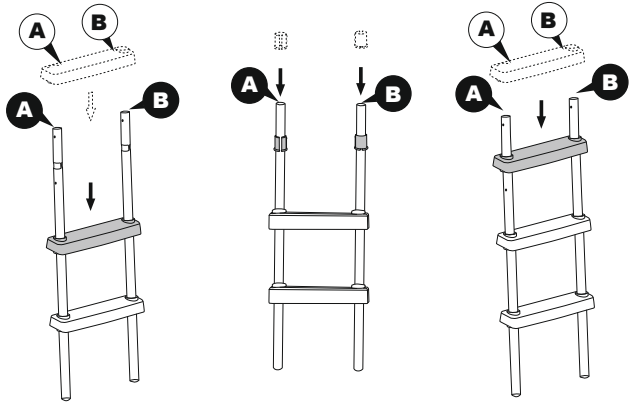
2



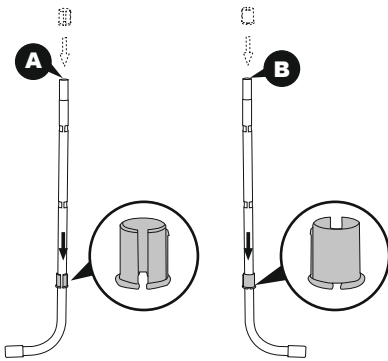
3



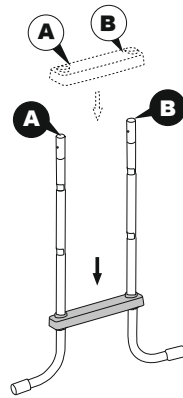
4



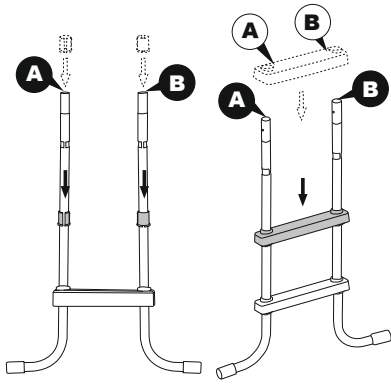
5



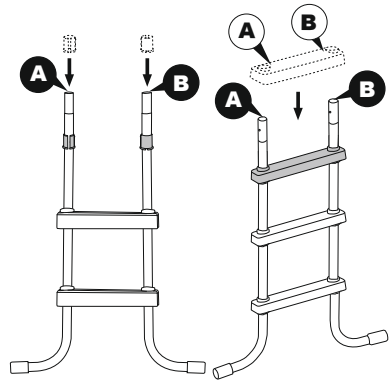
6



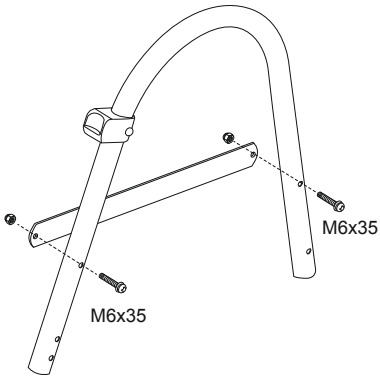
7



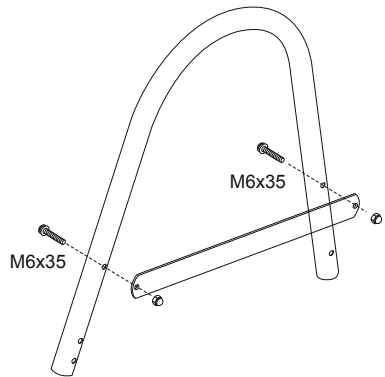
8



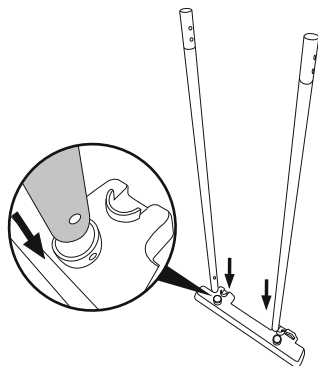
9



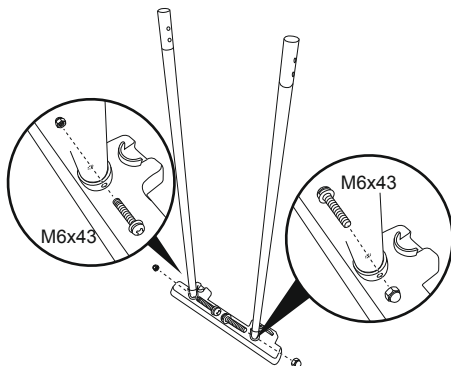
10



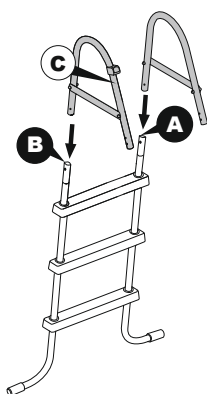
11



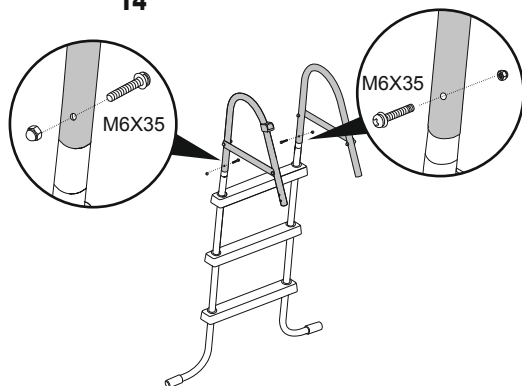
12



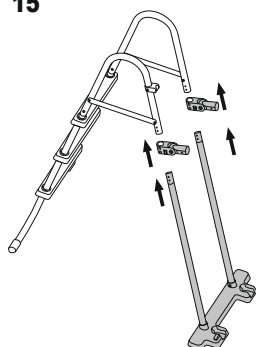
13



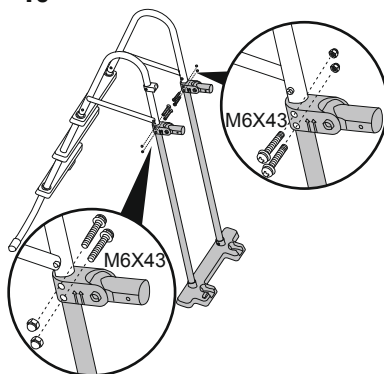
14



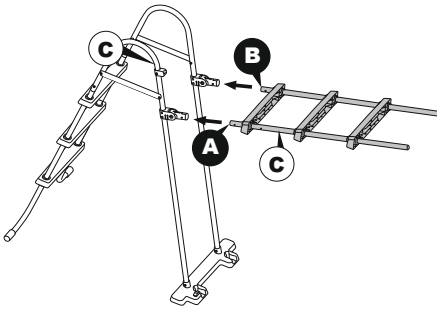
15



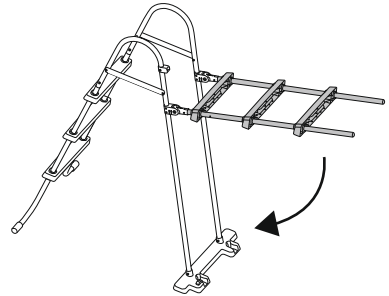
16



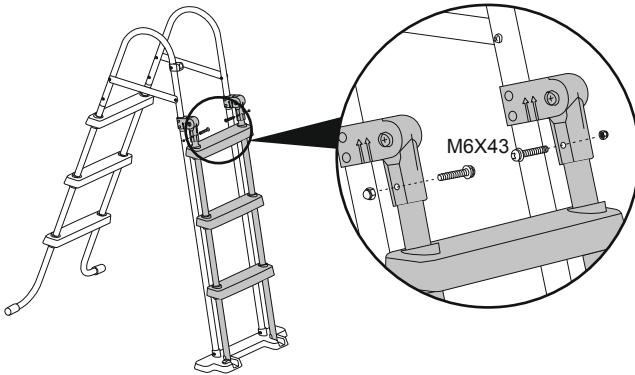
17



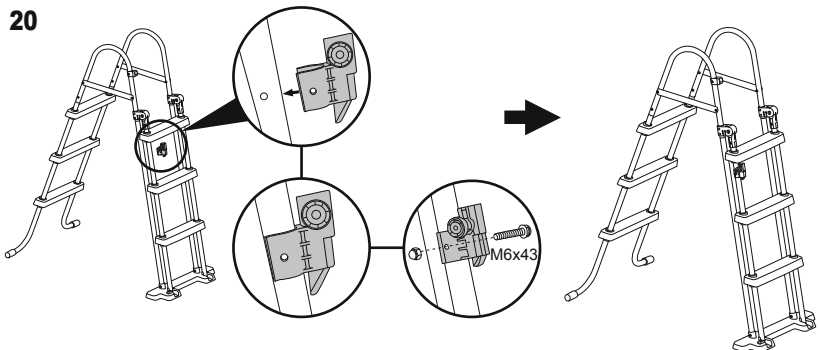
18



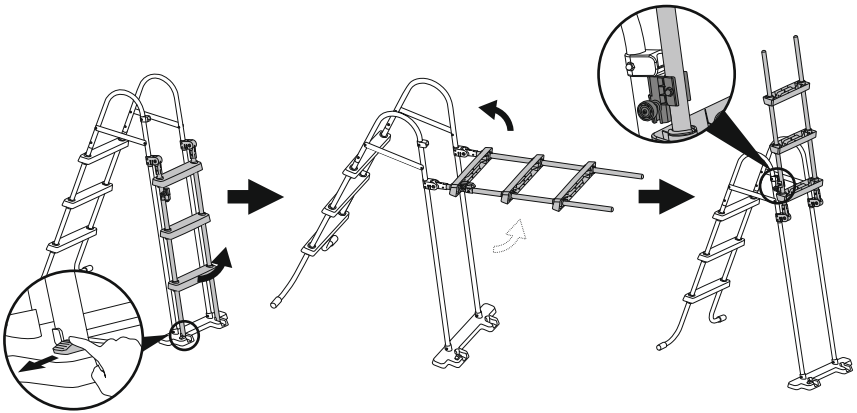
19



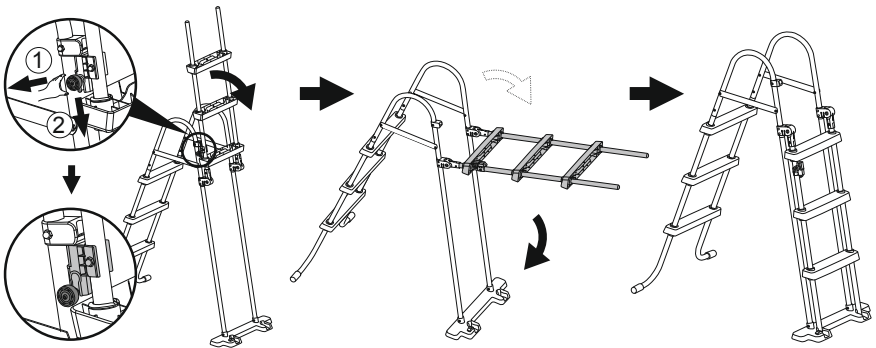
20



21



22



Overall dimension

