

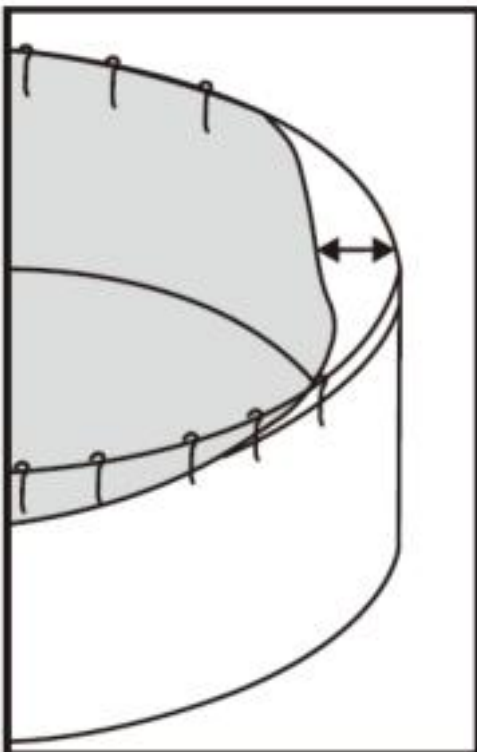
48" / 1.22m Hydrium™ Oval Pool Manual



ATTENTION!

Before setting up your pool, ensure your selected location follows the instructions in the "Choosing the Correct Location" section.

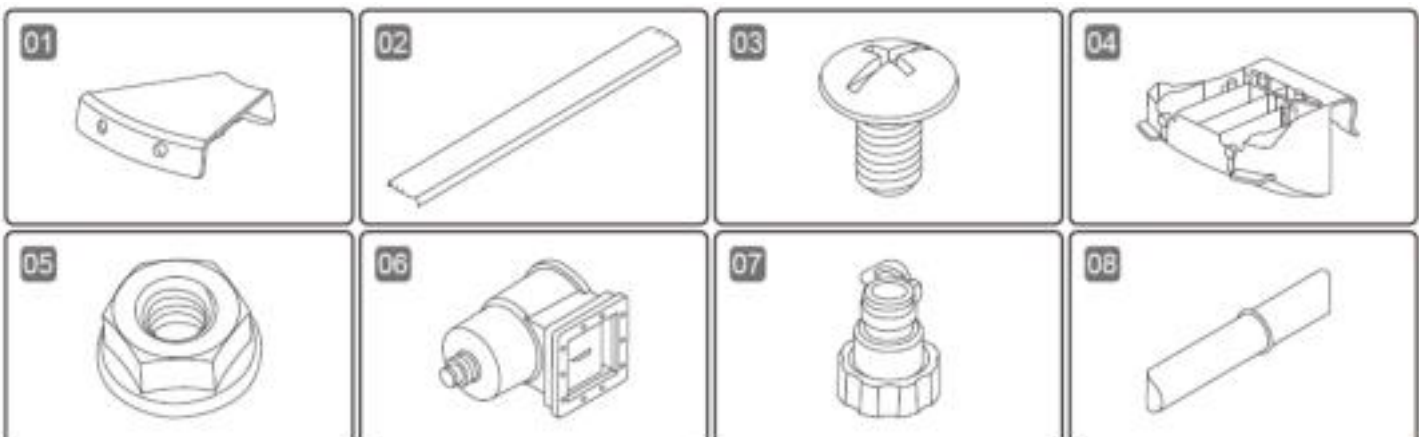
Assemble the pool on the provided ground cloth.

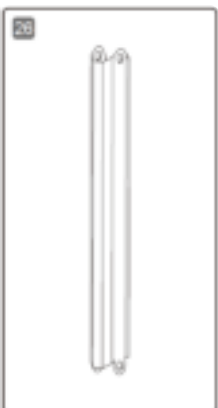
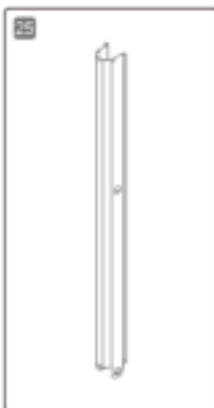
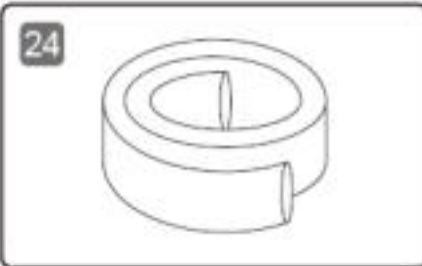
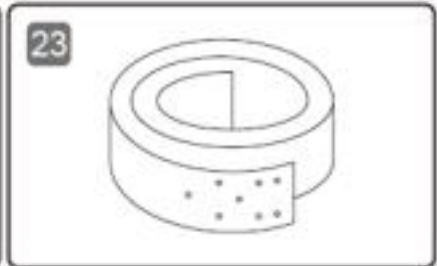
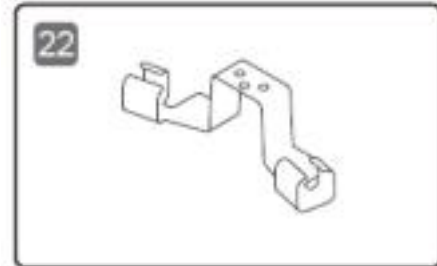
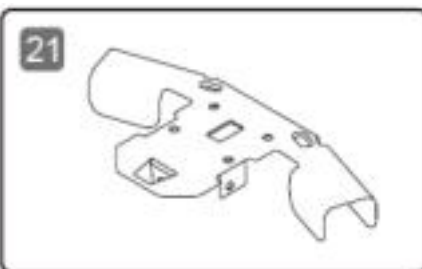
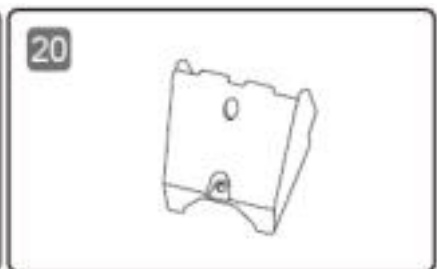
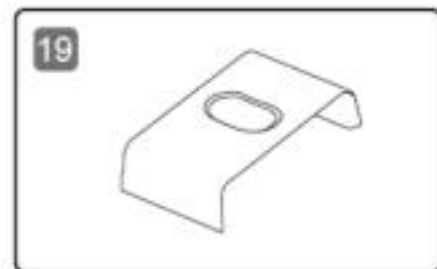
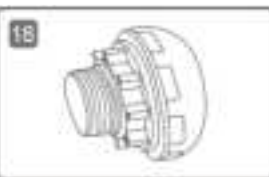
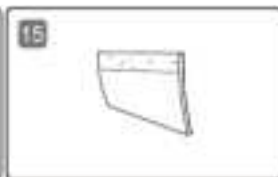
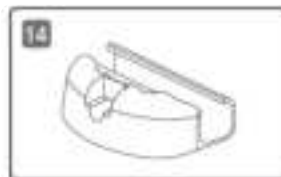
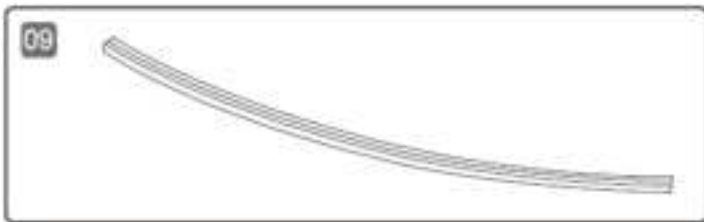


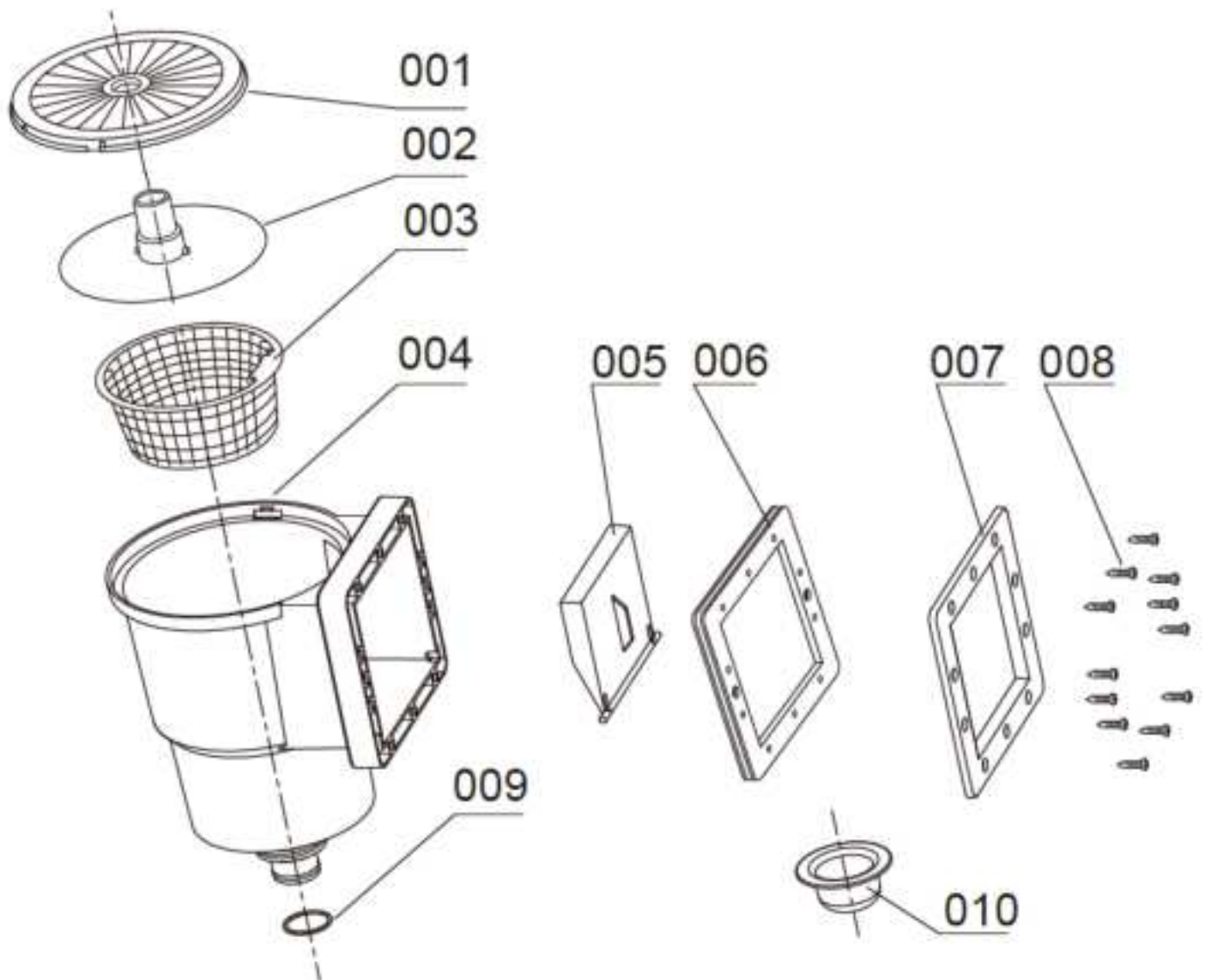
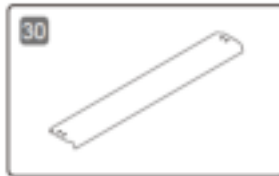
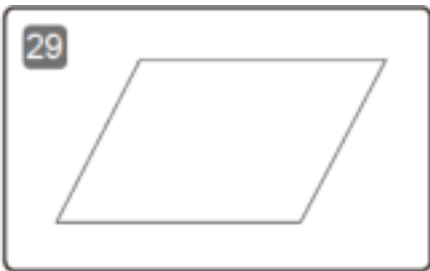
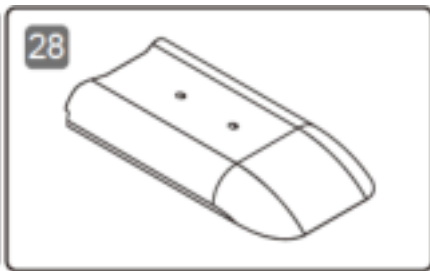
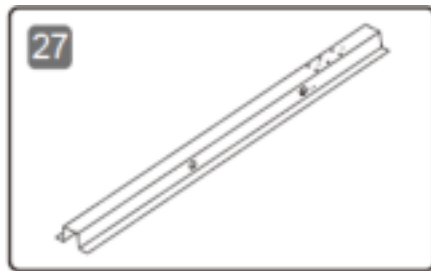
NOTE: The inner liner is designed to be smaller than the steel wall for technical reasons. If you find it difficult to assemble the liner, leave the liner in the sun for one hour to make it more pliable. You should then be able to assemble the liner step by step, stretching it by hand at the same time. This procedure will not damage the liner.



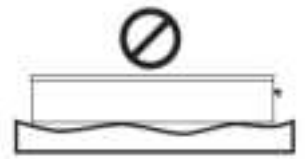
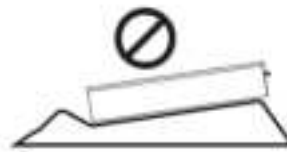
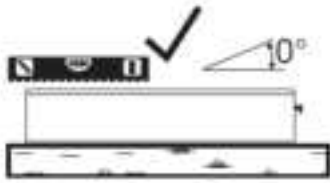
5.0 0 m x 3.6 6 m x 1.2 2 m (16' 5" x 12' x 48") 565 86	01	02	03	04	05	06	07	08	09	10	11	12	13	14	15	16	17	18	
	x8	x10	x88	x8	x52	x1	x2	x32	x20	x1	x1	x1	x8	x8	x8	x6	x1	x1	
	19	20	21	22	23	24	25	26	27	28	29	30	31	32	33	34	35	36	37
	x2	x2	x2	x2	x1	x1	x2	x2	x2	x2	x1	x0	x0	x20	x4	x40	x48	x1	x4
6.1 0 m x 3.6 6 m x 1.2 2 m (20' x 12' x 48") 563 69	01	02	03	04	05	06	07	08	09	10	11	12	13	14	15	16	17	18	
	x8	x6	x13 4	x8	x74	x1	x2	x32	x12	x1	x1	x1	x8	x8	x8	x12	x1	x1	
	19	20	21	22	23	24	25	26	27	28	29	30	31	32	33	34	35	36	37
	x4	x4	x4	x4	x2	x2	x4	x4	x4	x4	x1	x6	x12	x20	x8	x48	x48	x1	x4



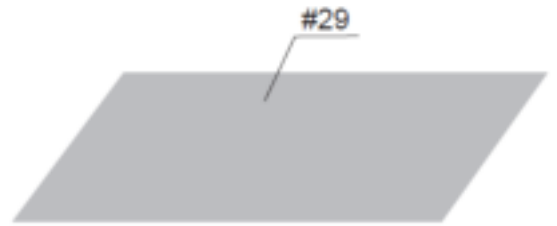




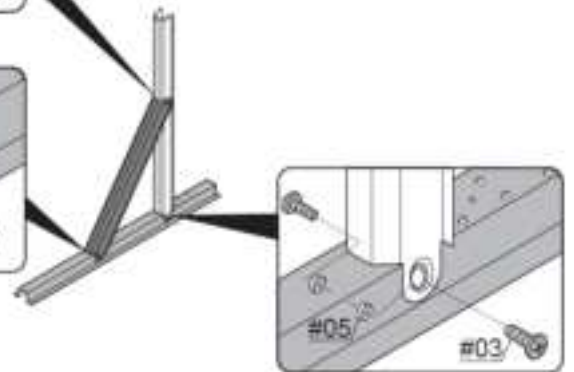
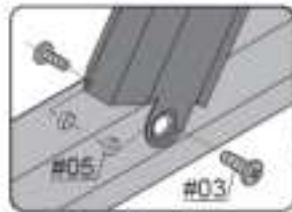
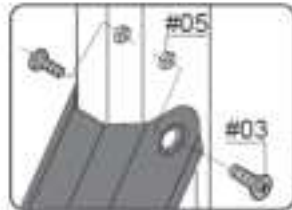
06	001	002	003	004	005	006	007	008	009	010
	x1	x1	x1	x1	x1	x1	x1	x12	x1	x1



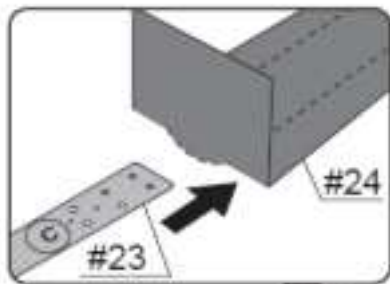
1

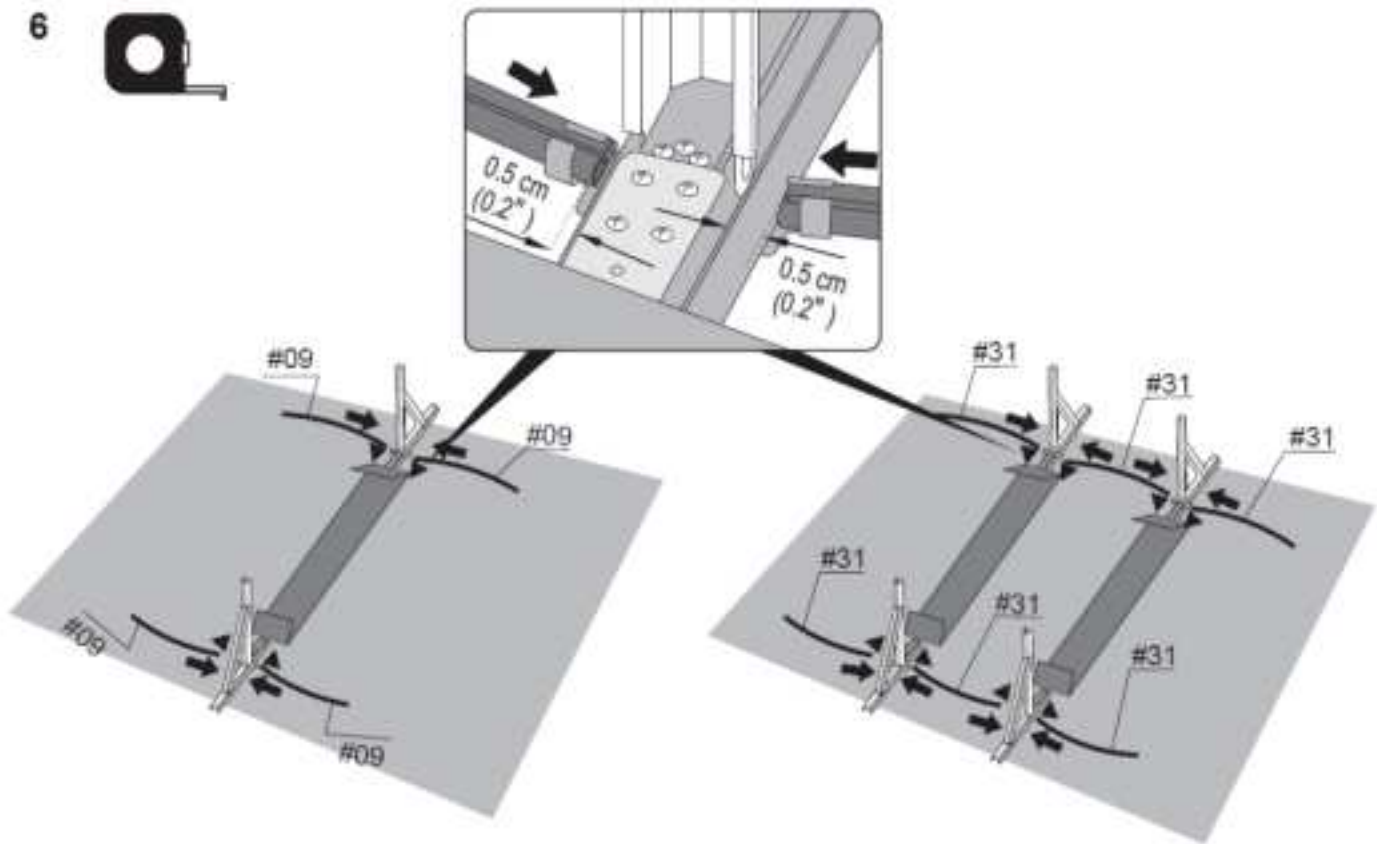
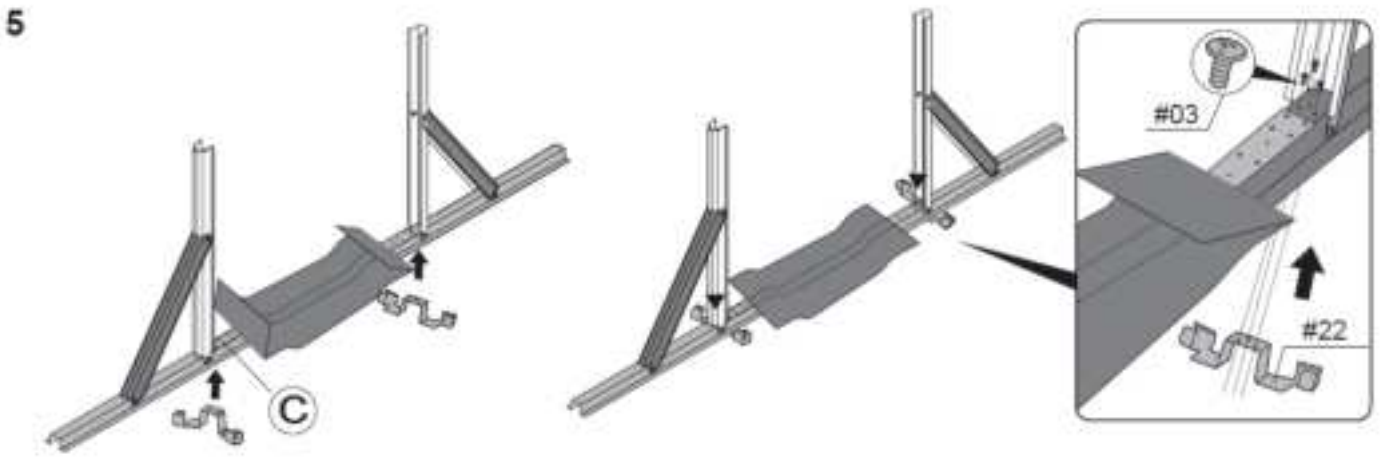
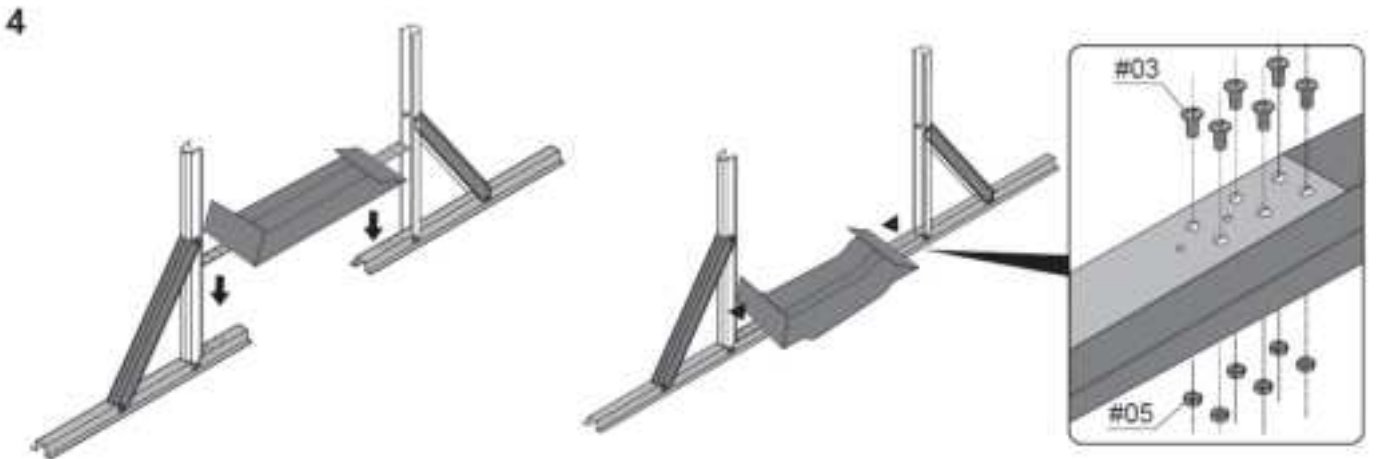


2



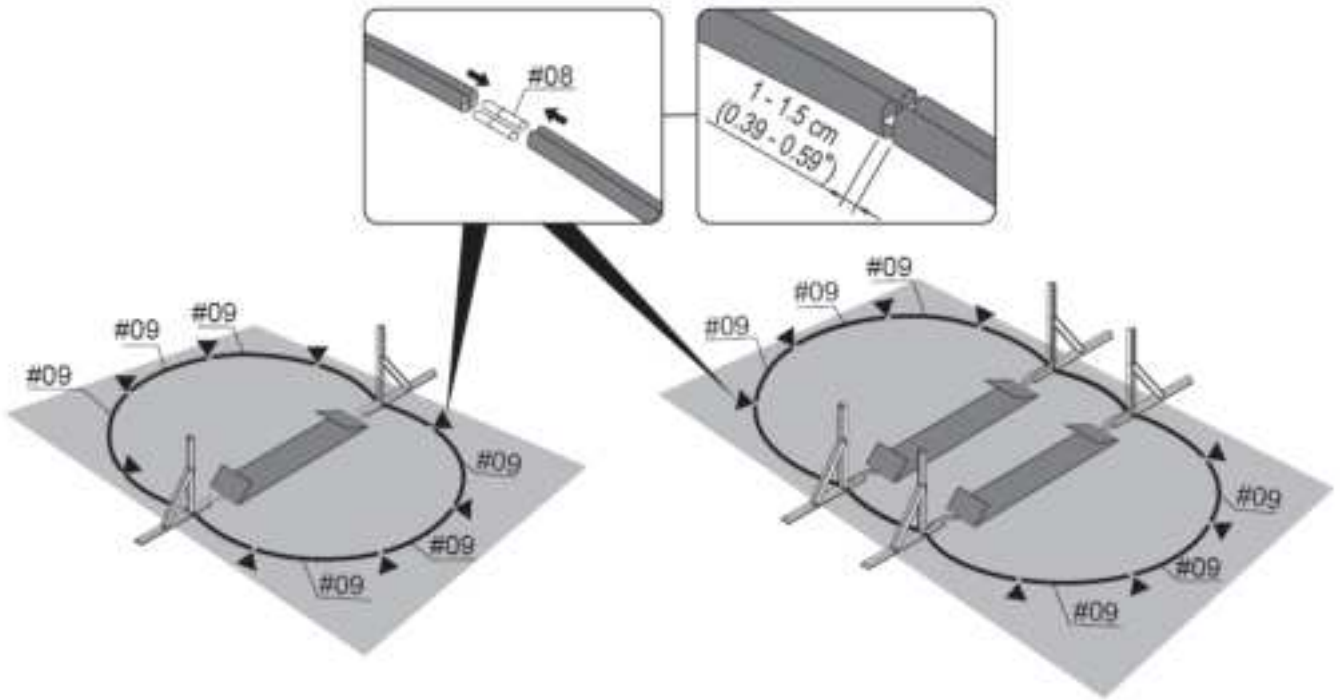
3





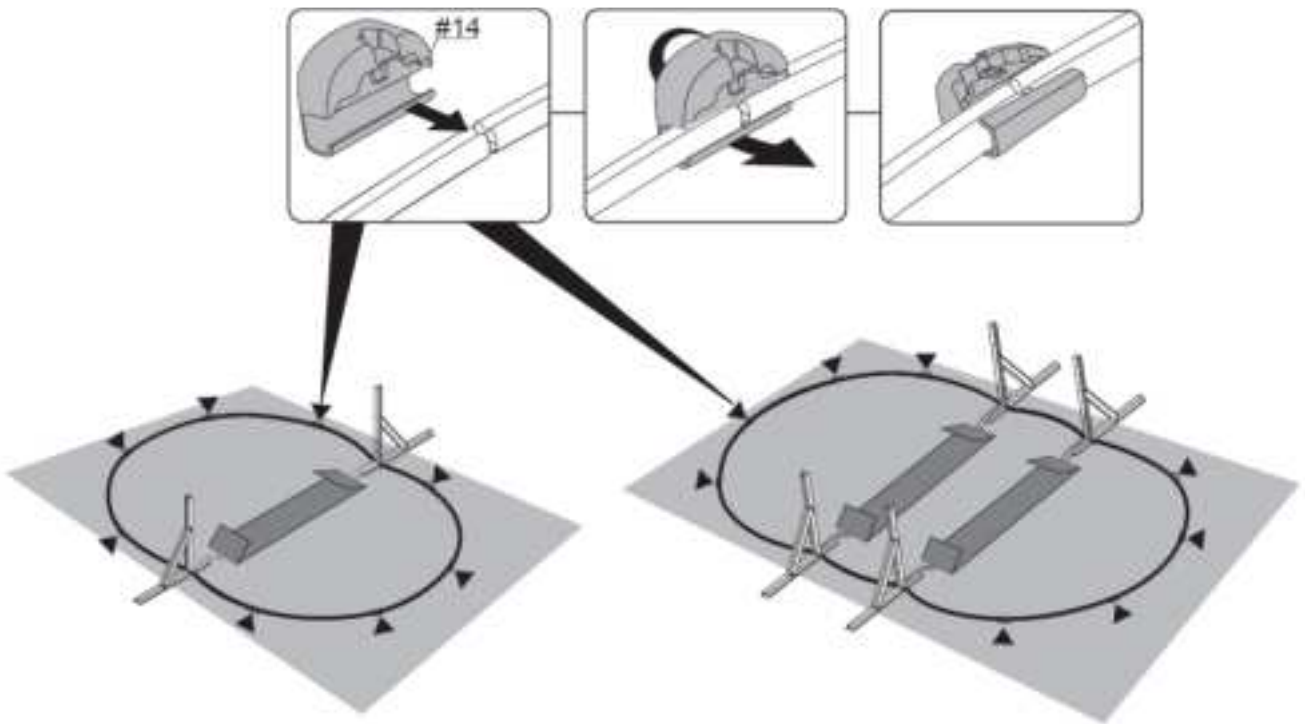
0.5 cm (0.2")

7

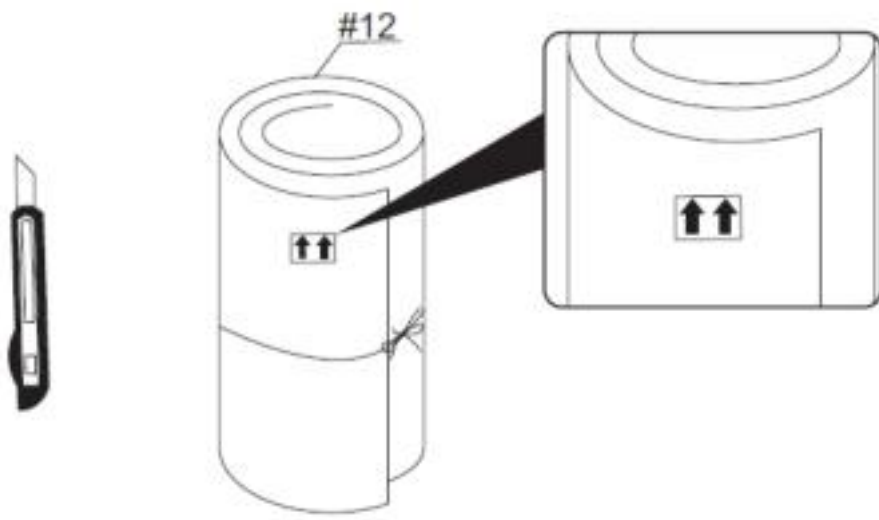


1 - 1.5 cm (0.39 - 0.59")

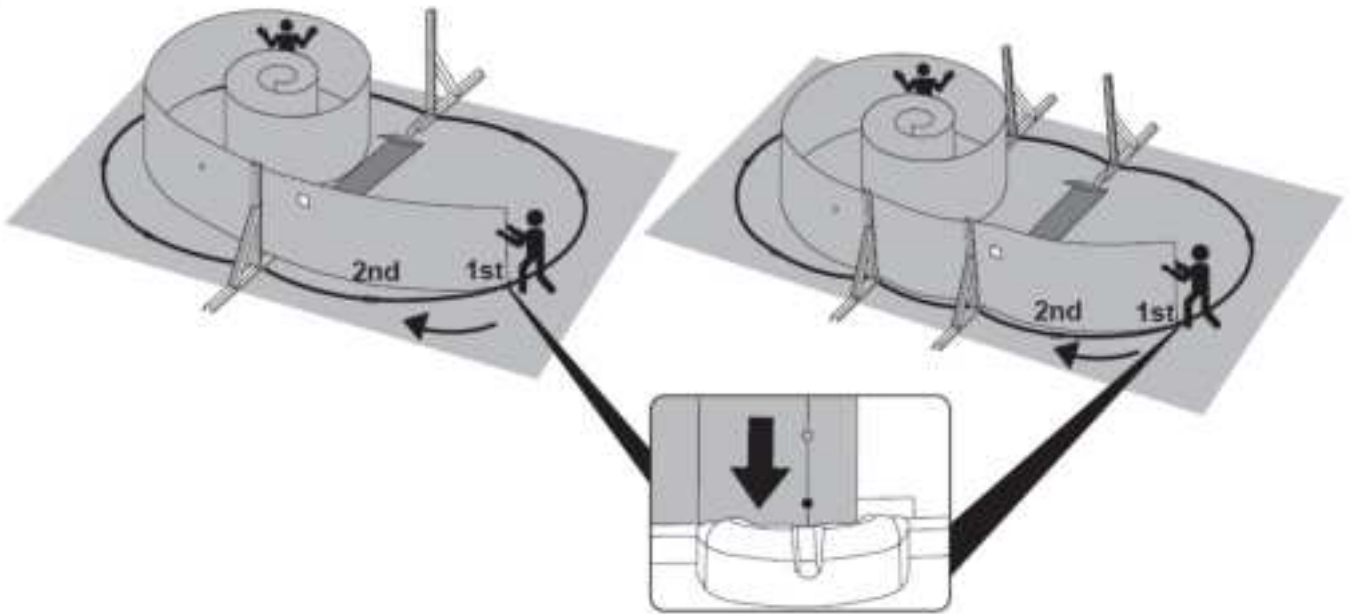
8



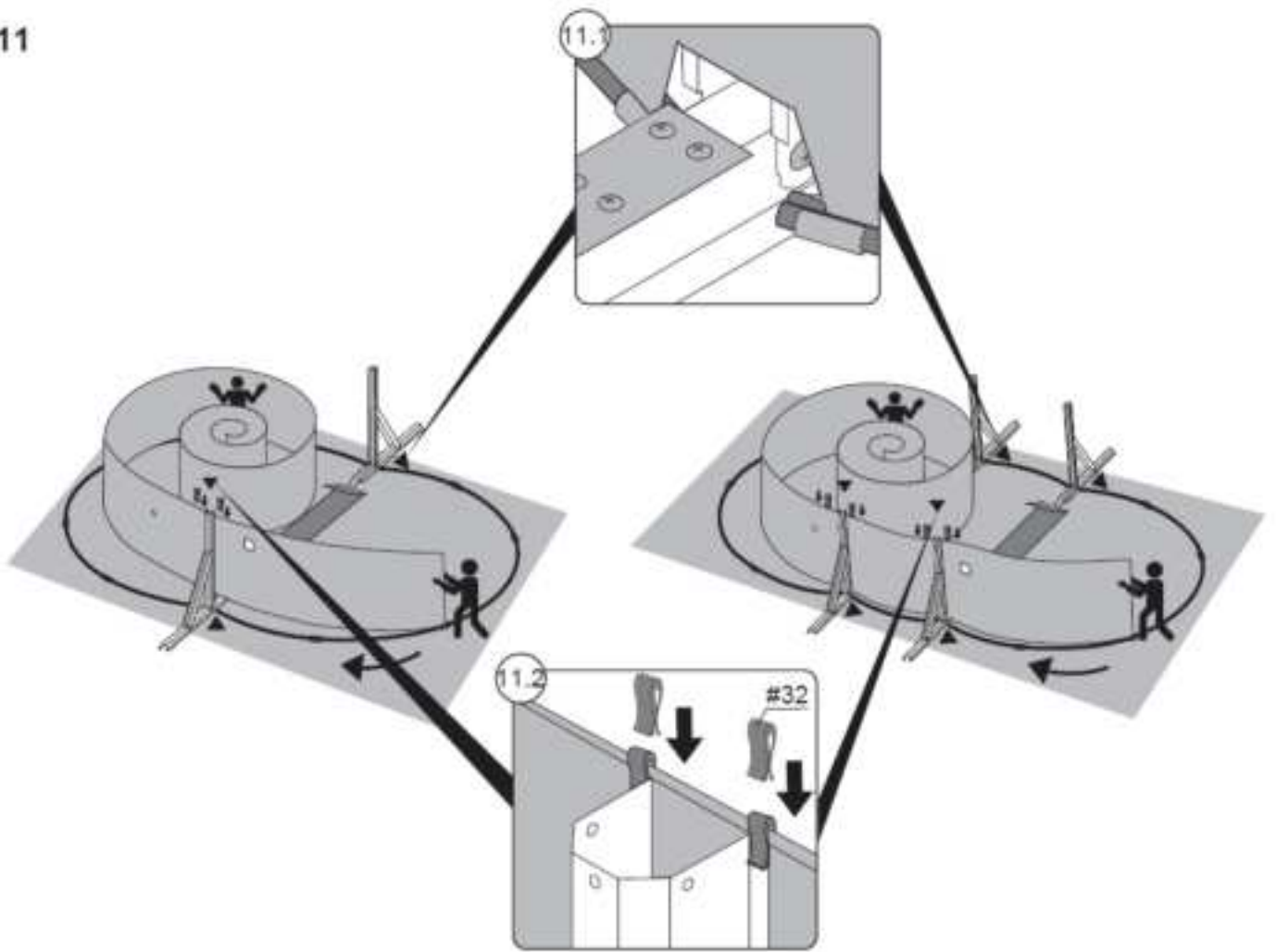
9



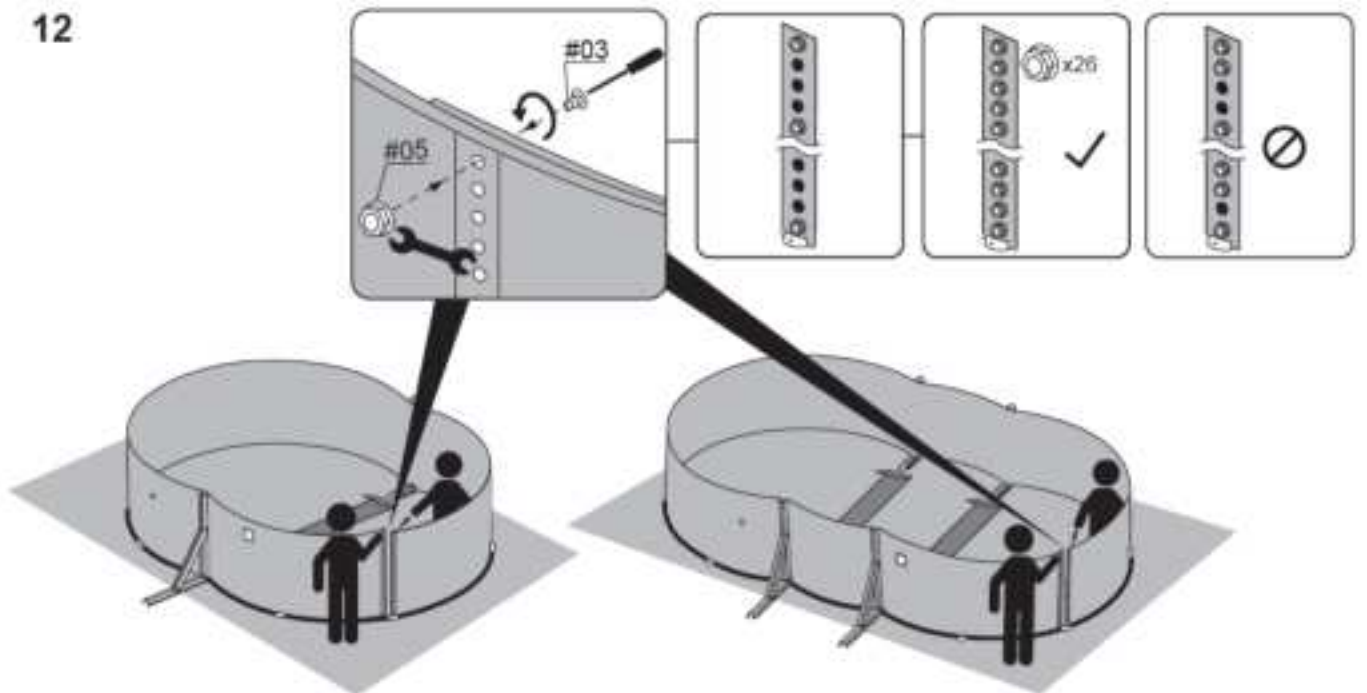
10



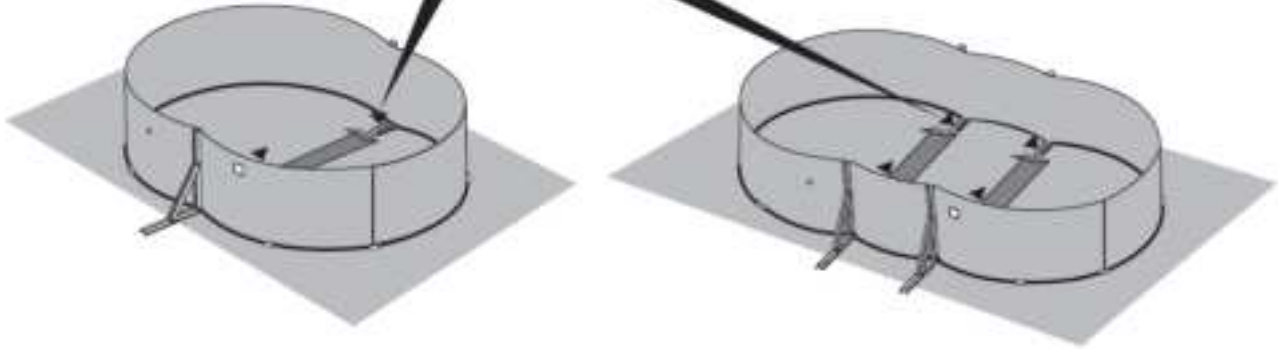
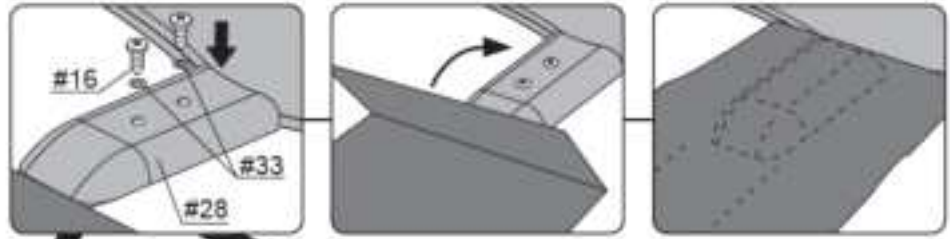
11



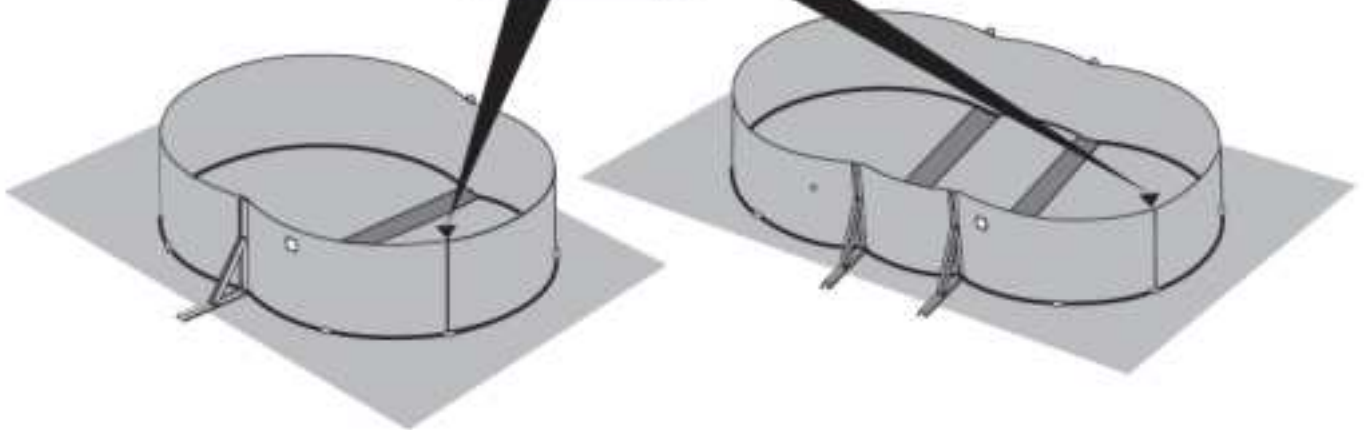
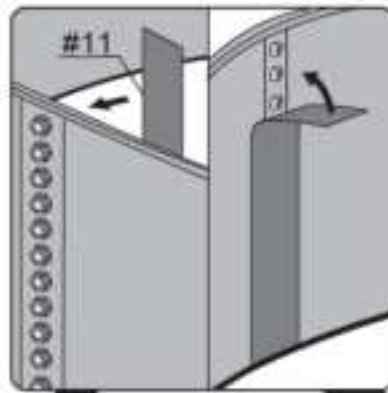
12



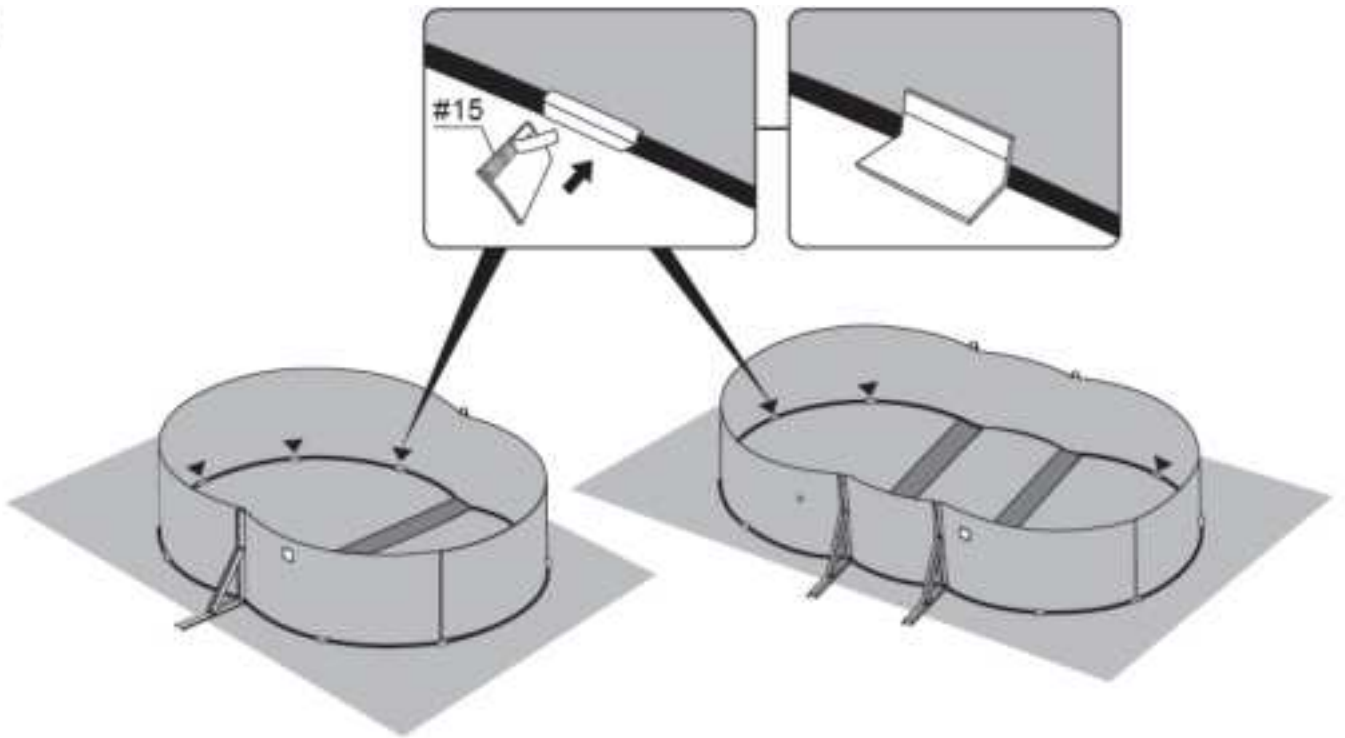
13



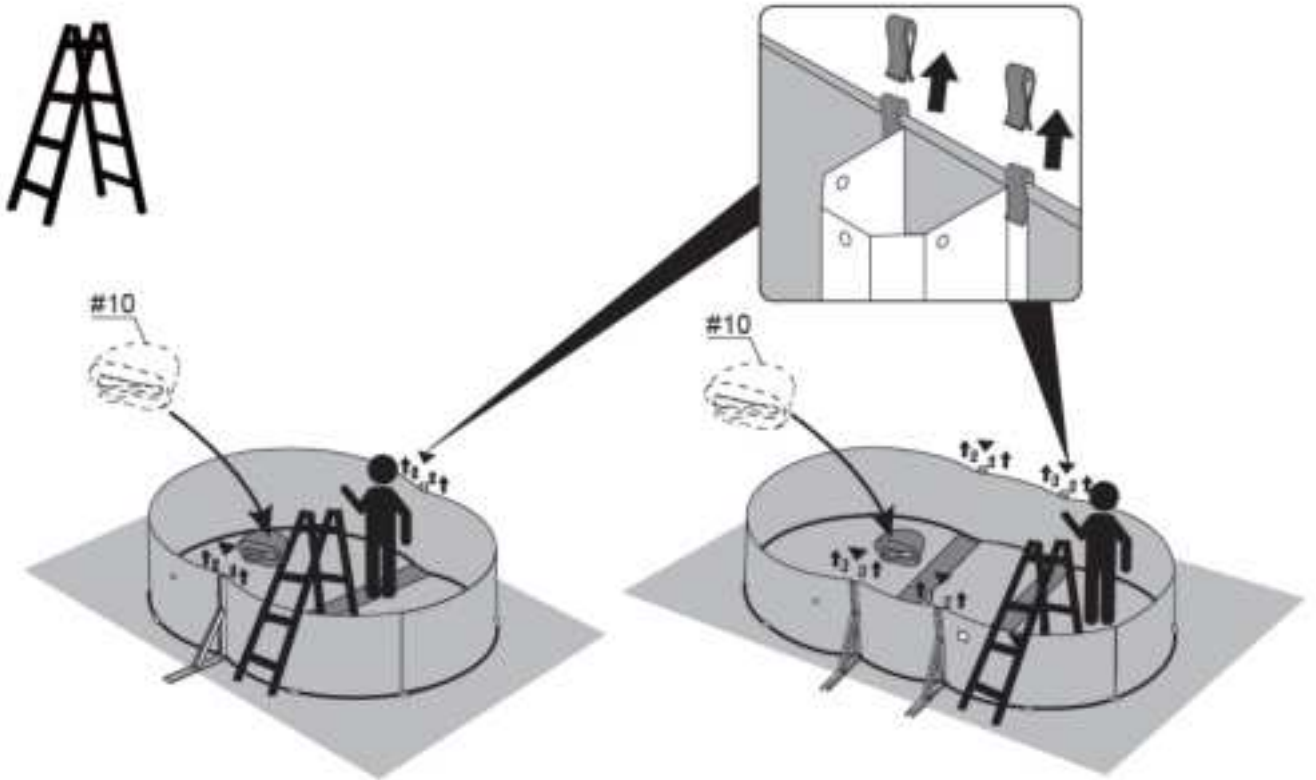
14



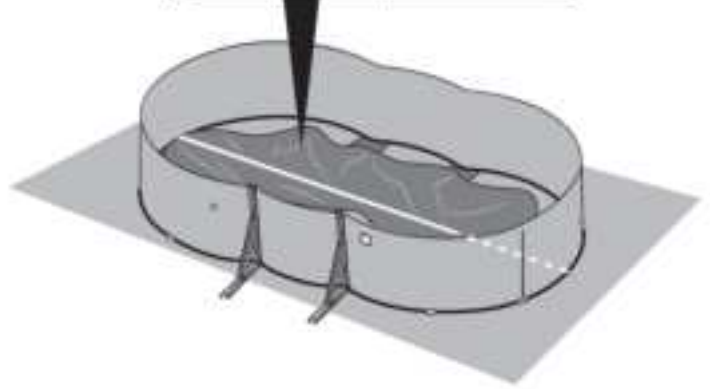
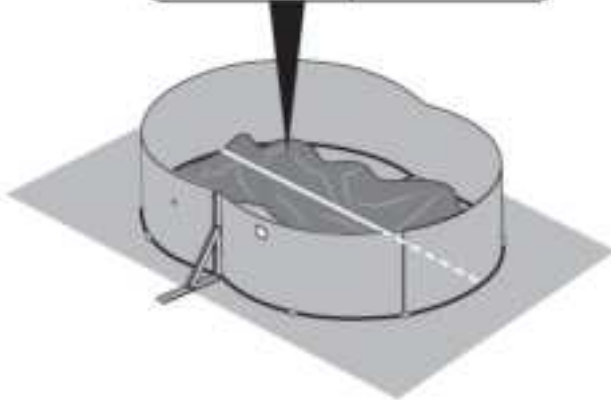
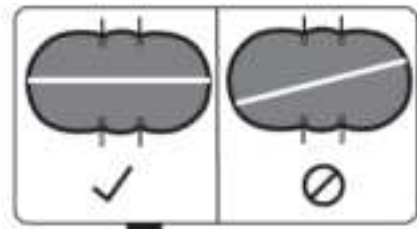
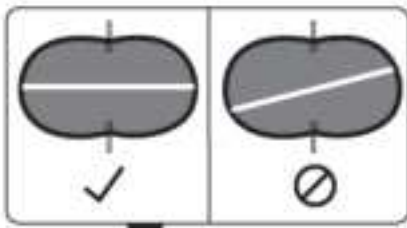
15



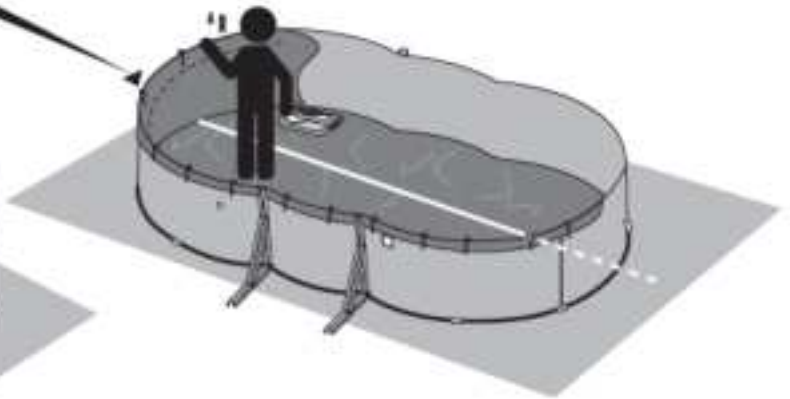
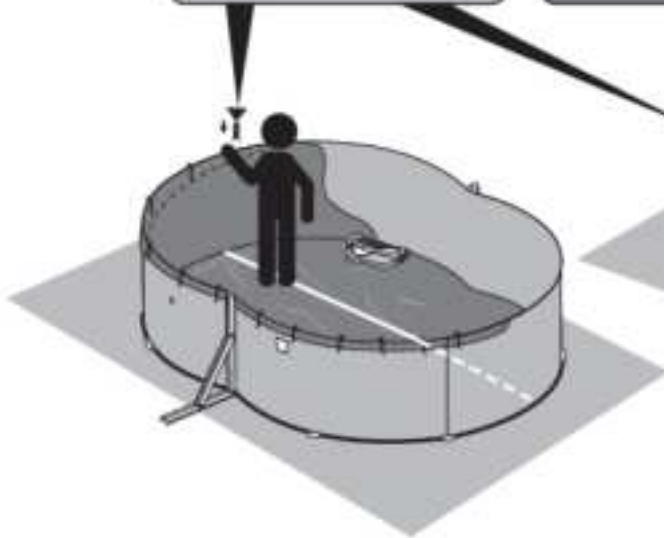
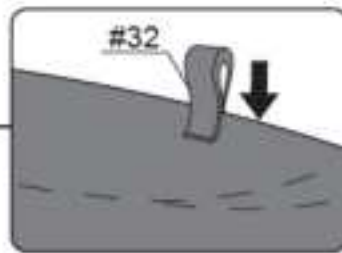
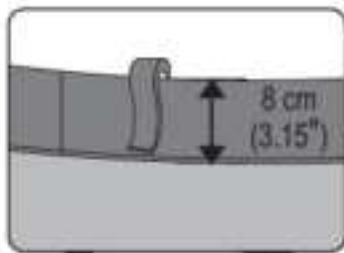
16



17

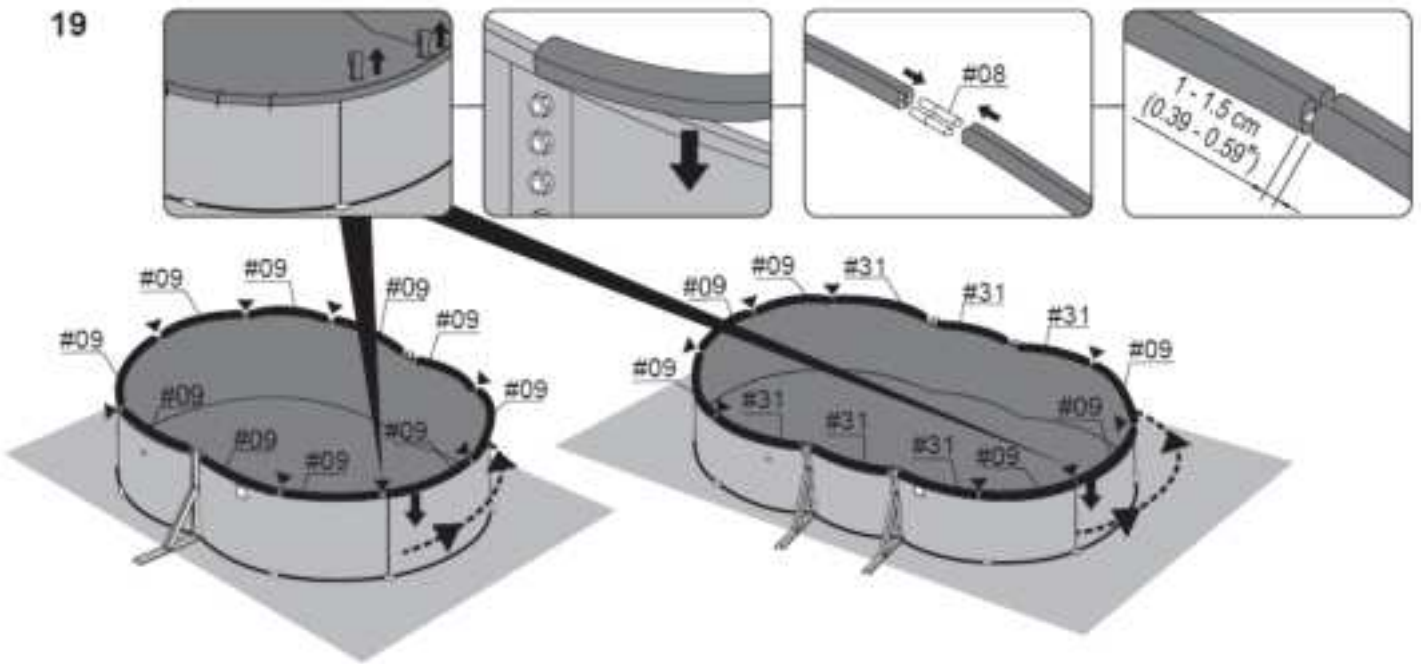


18



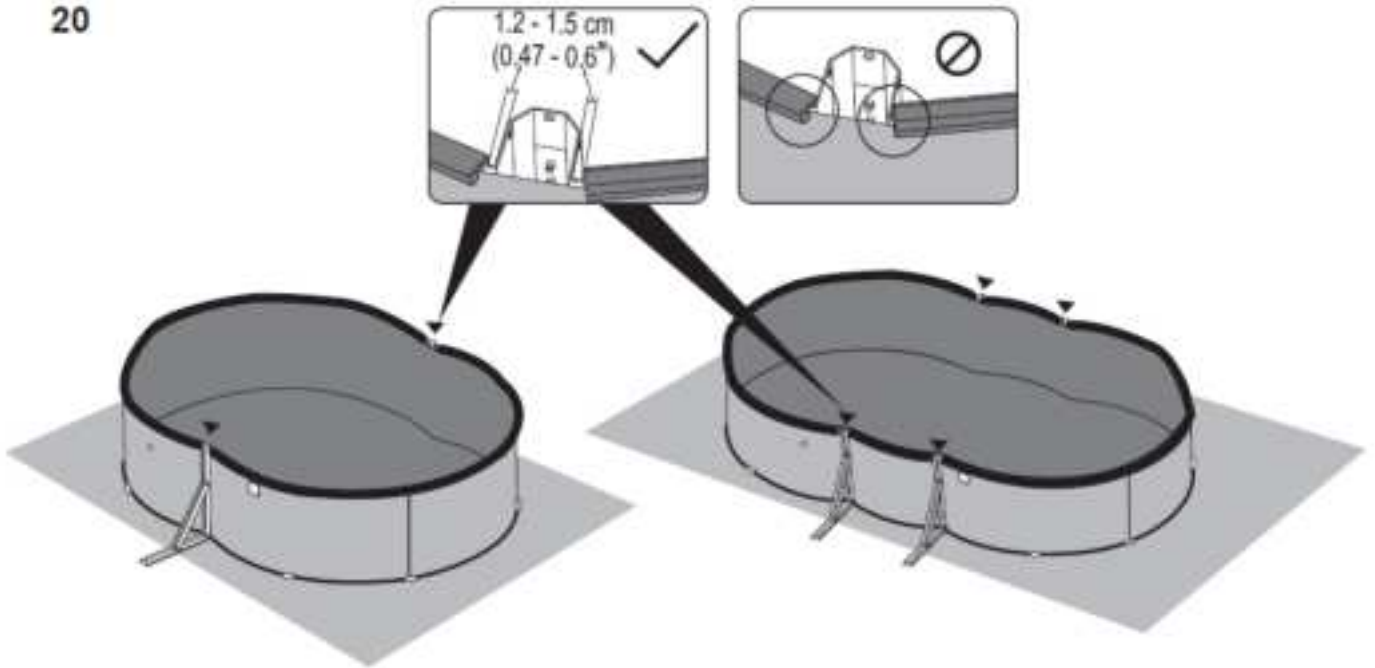
8 cm (3.15")

19



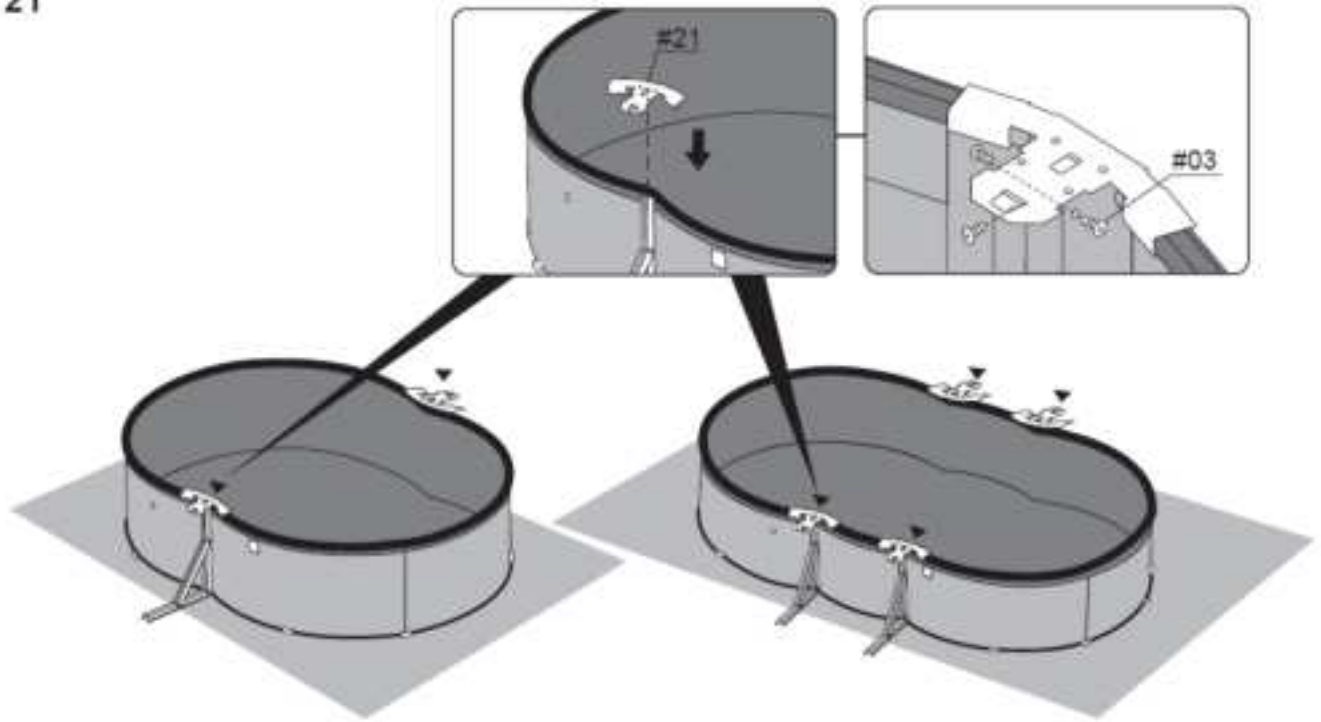
1 - 1.5 cm (0.39 - 0.59")

20

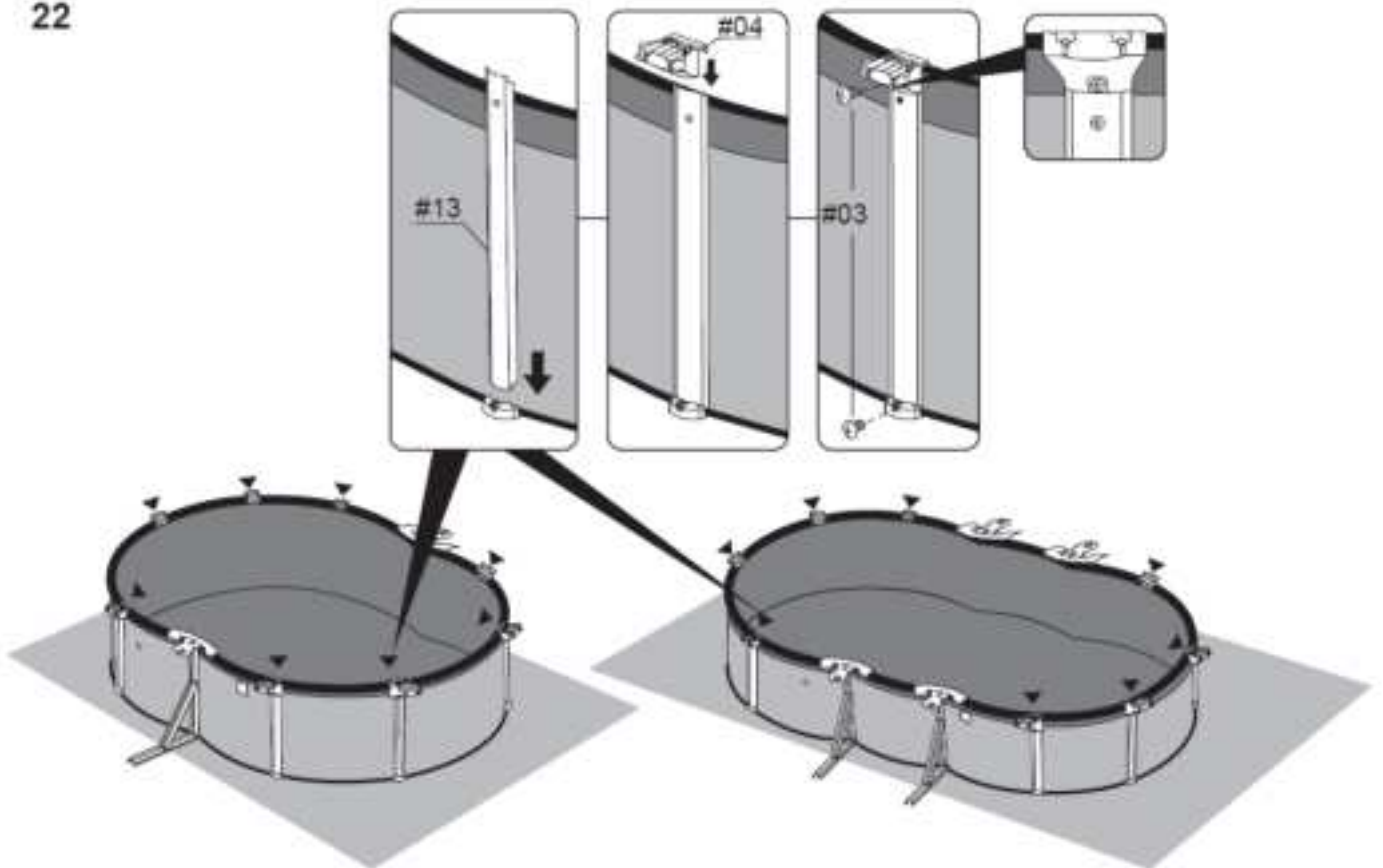


1.2 - 1.5 cm (0.47 - 0.6")

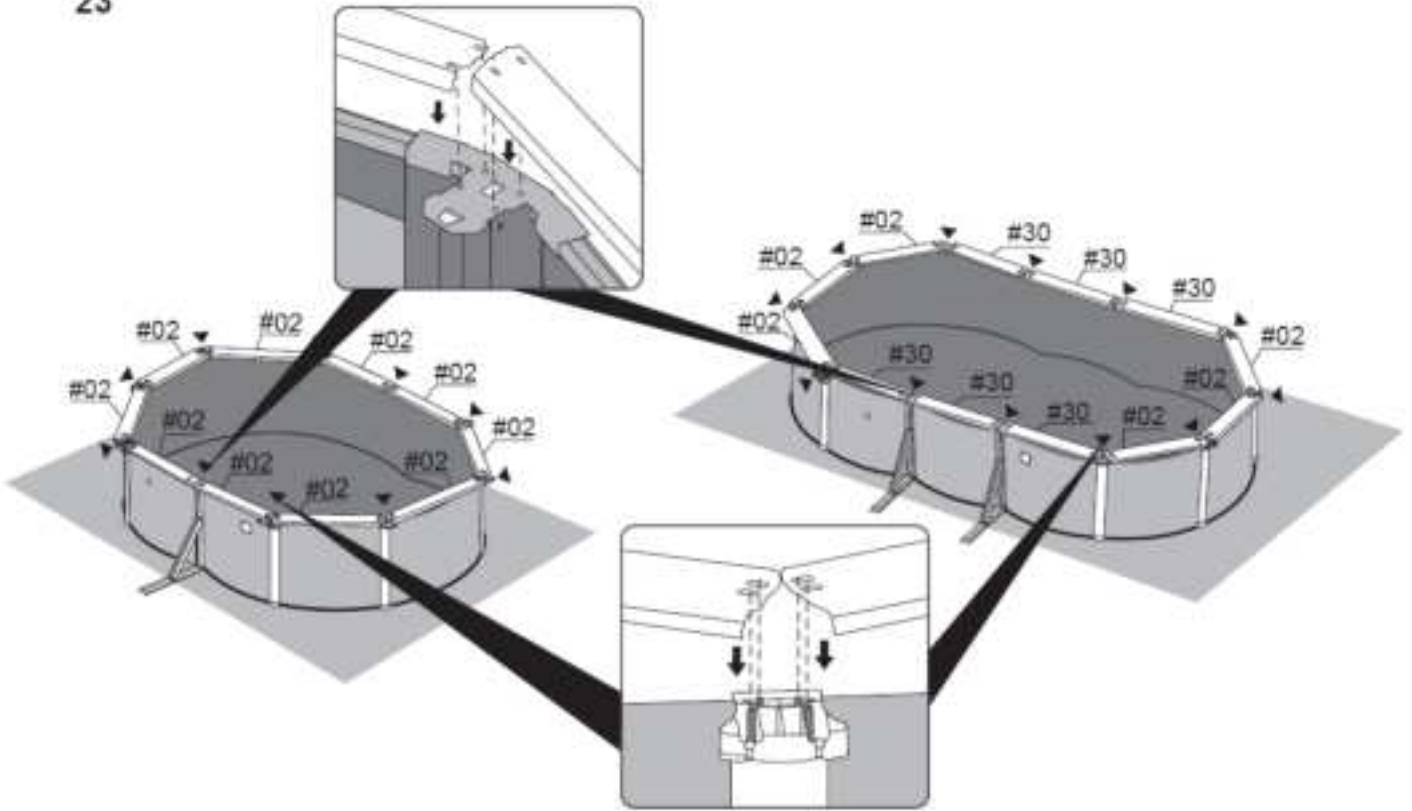
21



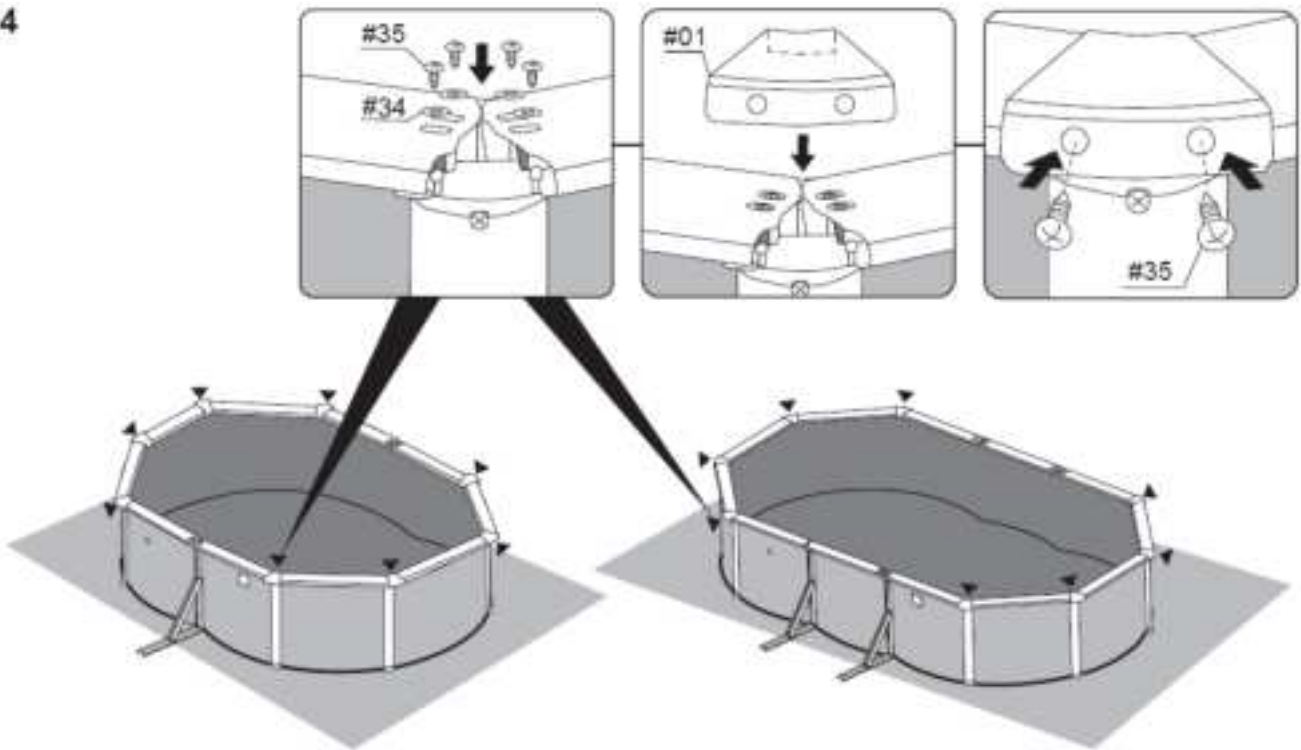
22



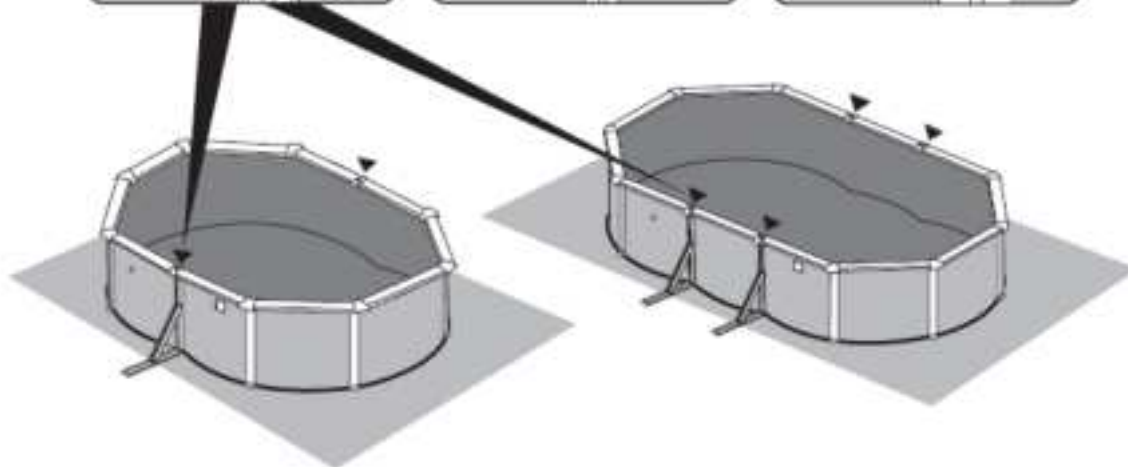
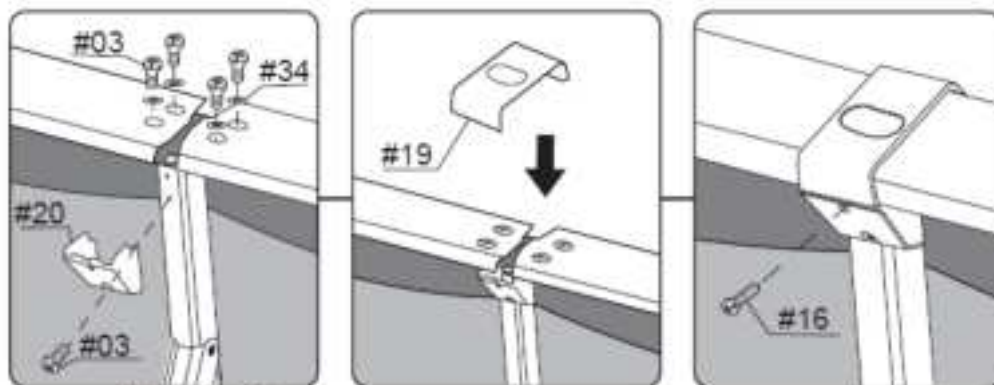
23



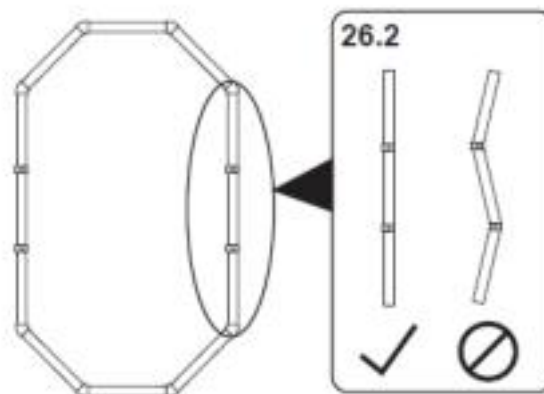
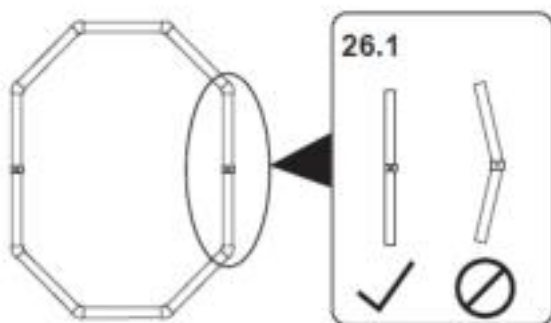
24



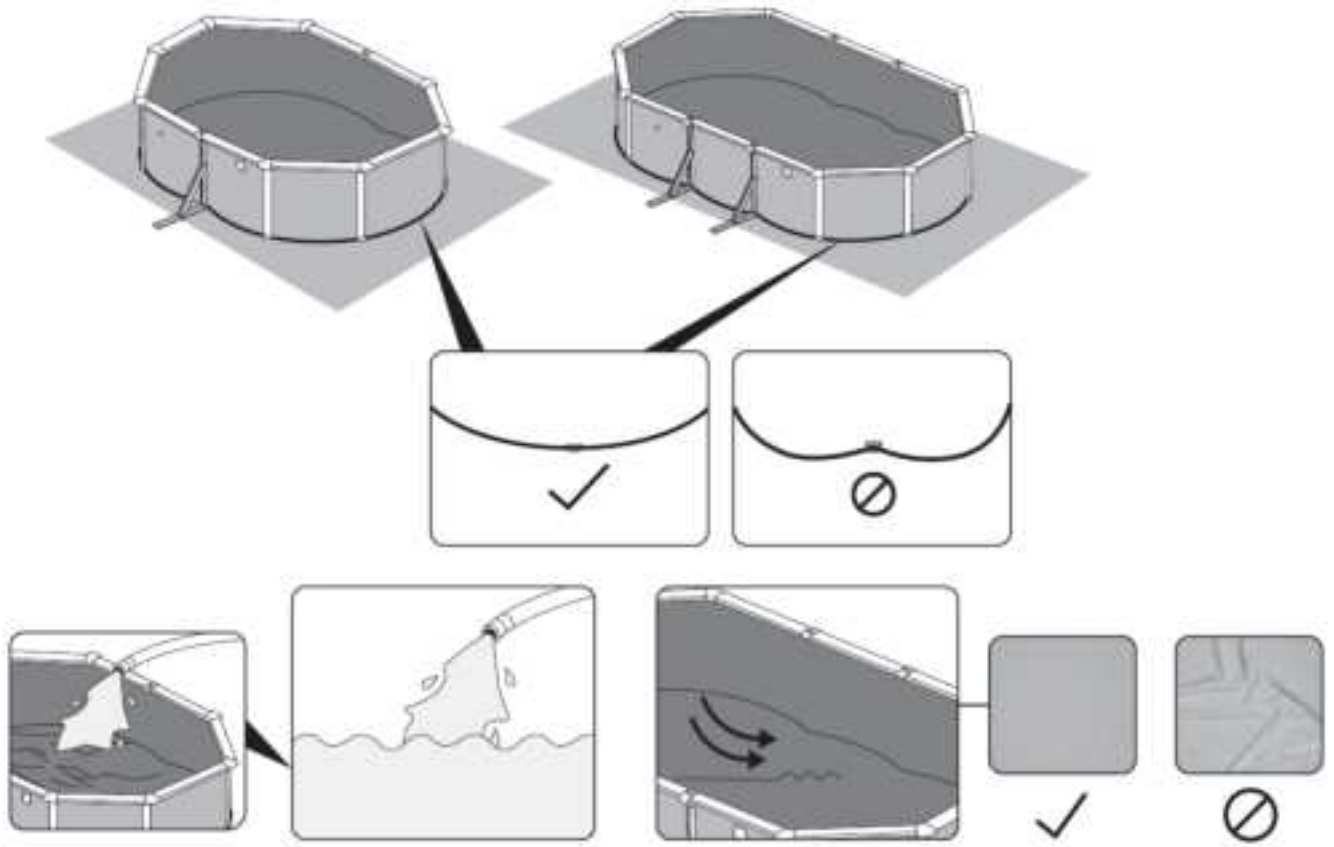
25



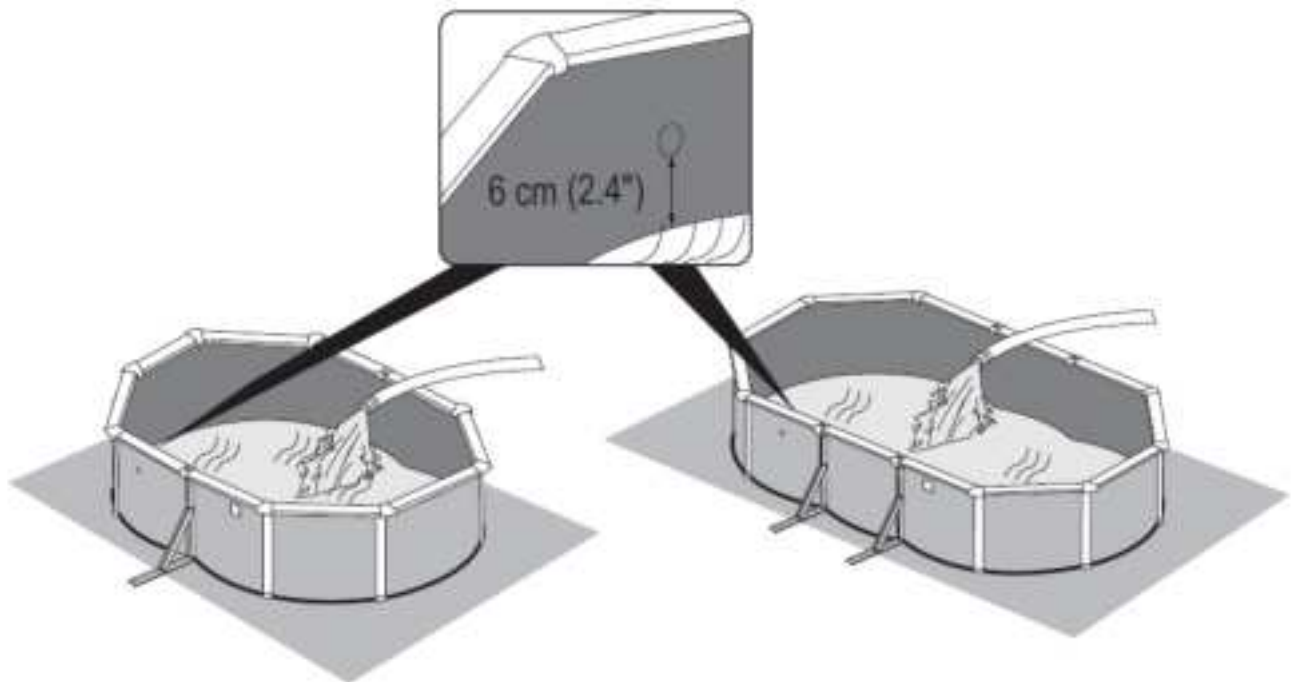
26



27

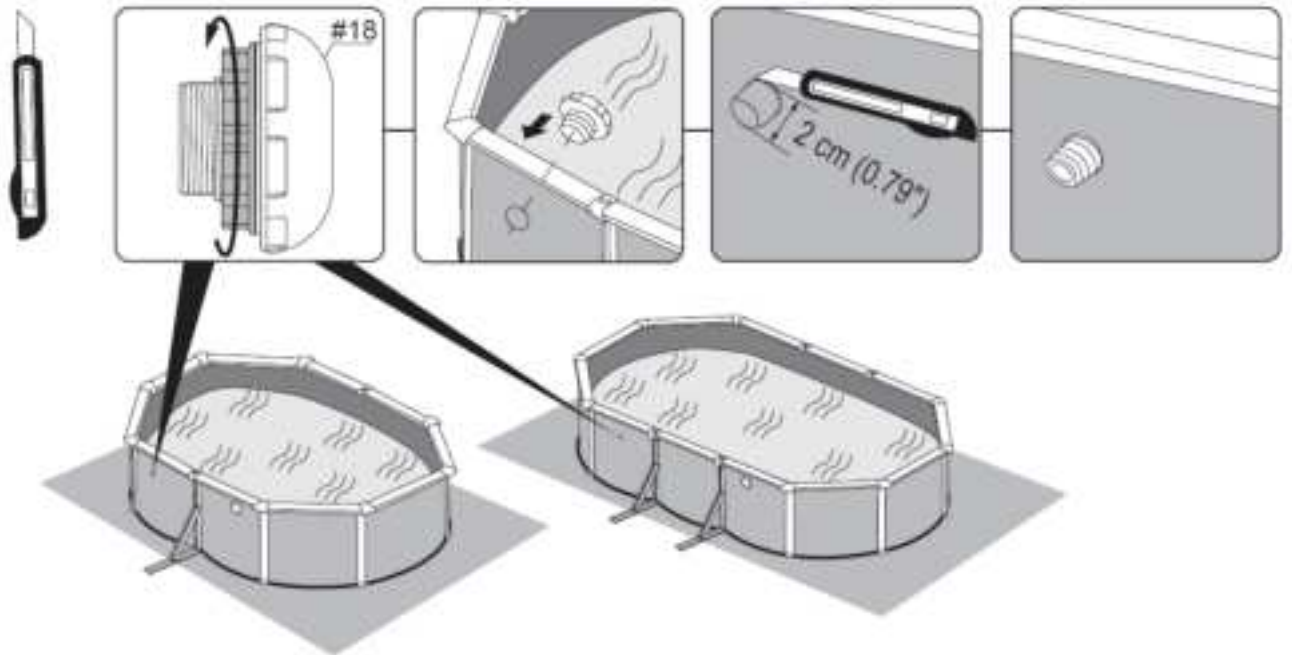


28



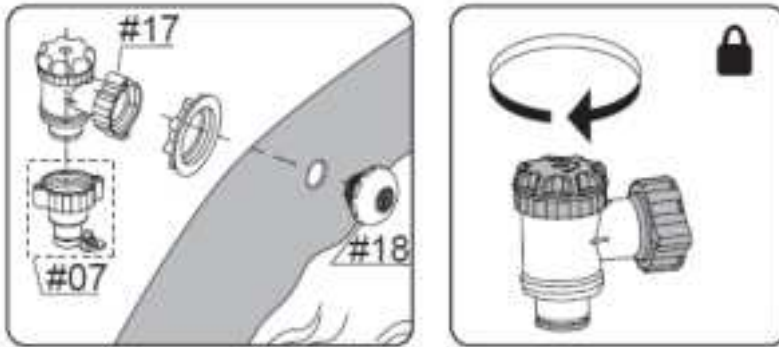
6 cm (2.4")

29

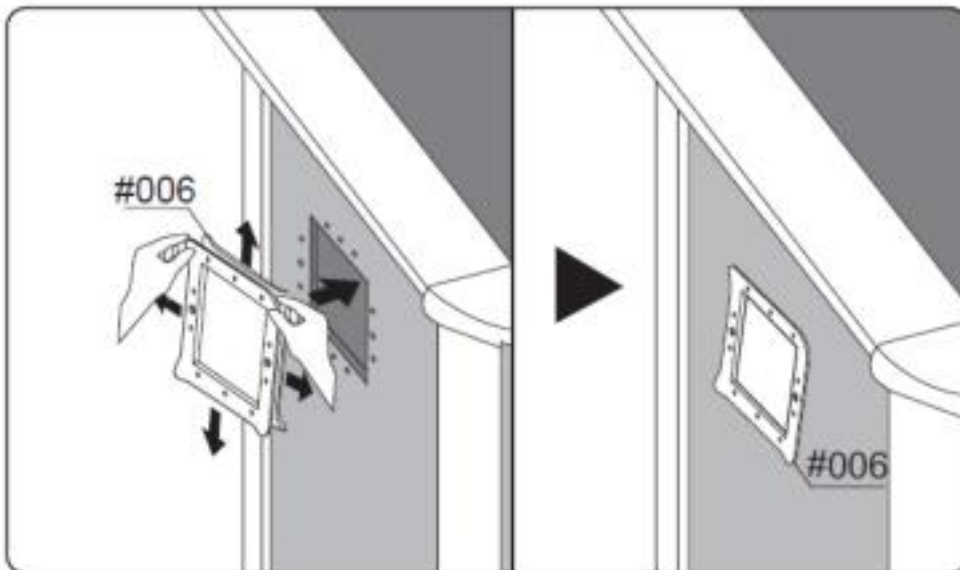


2 cm (0.79")

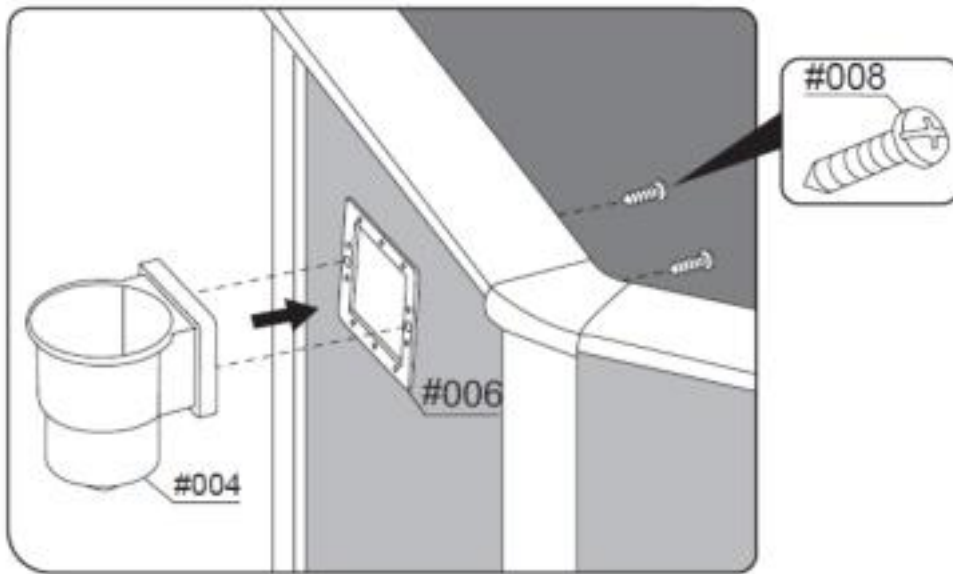
30



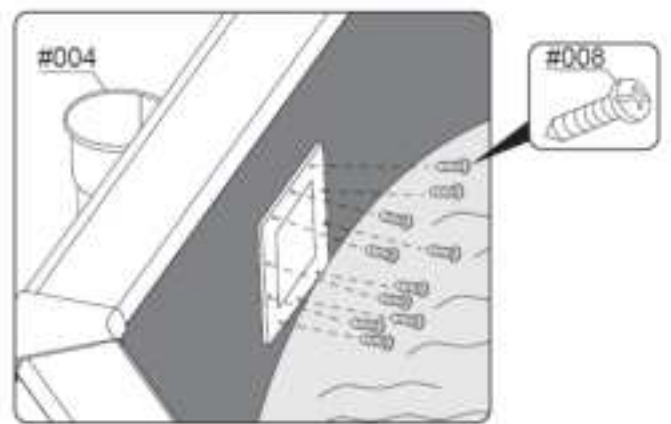
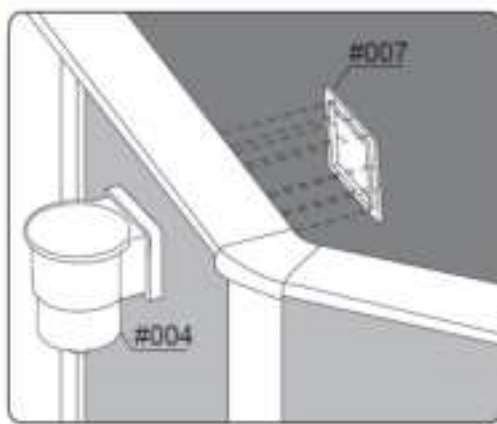
31



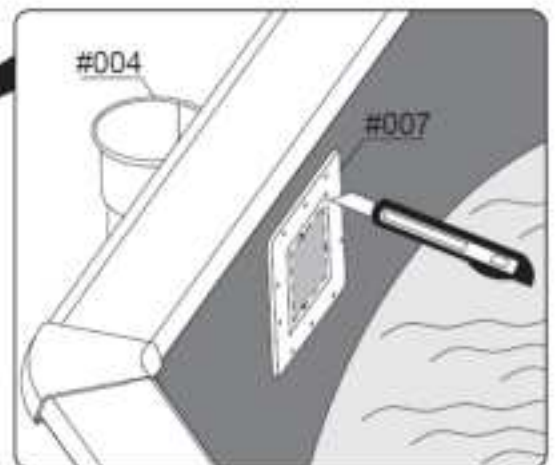
32



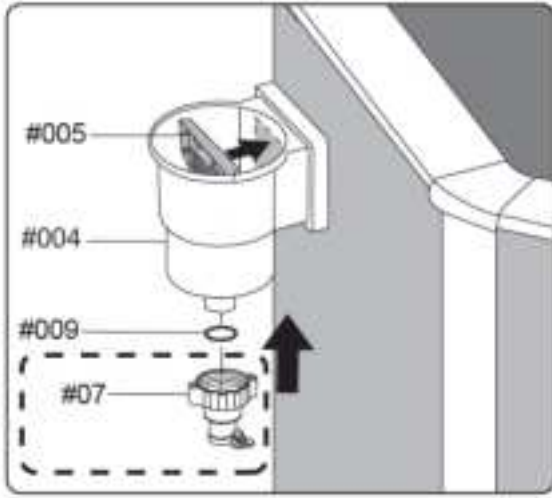
33



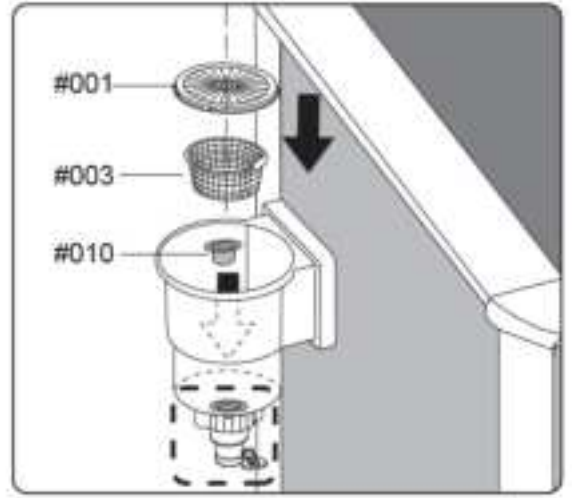
34



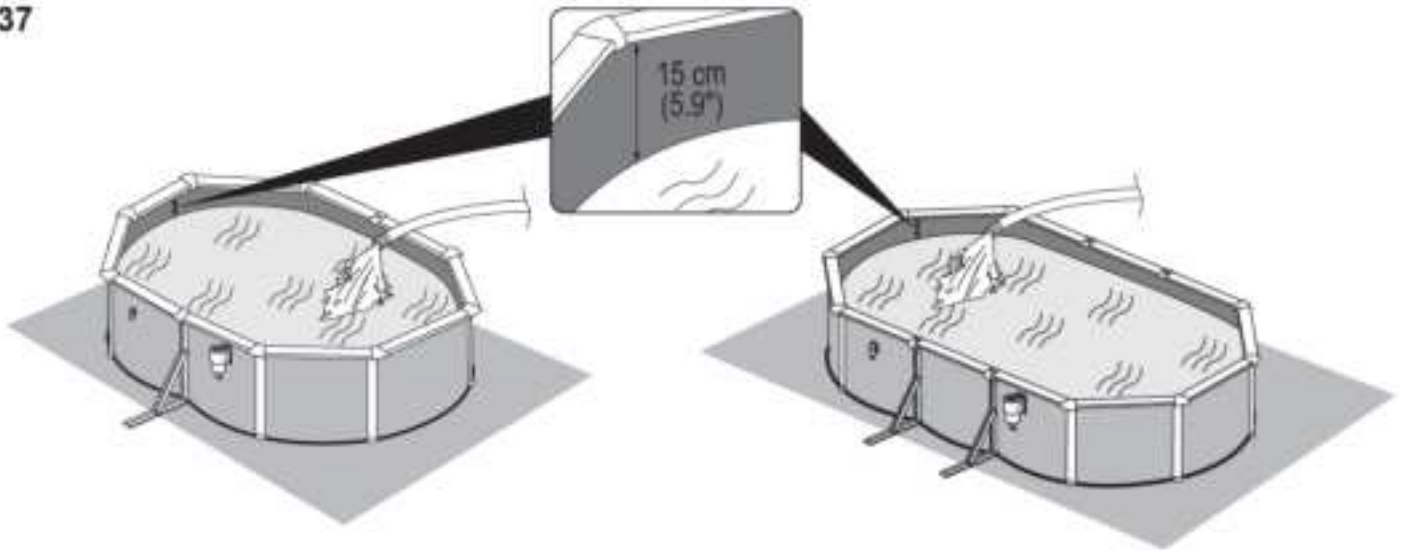
35



36

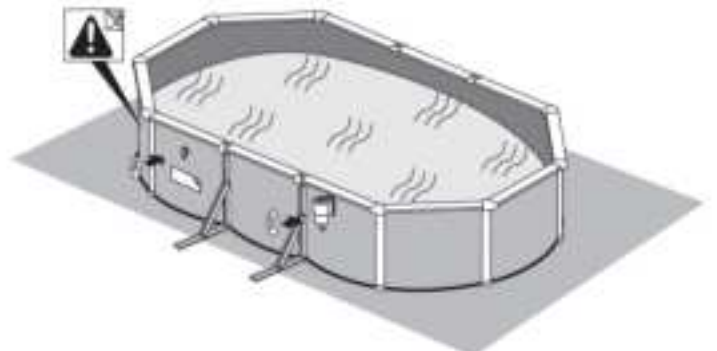
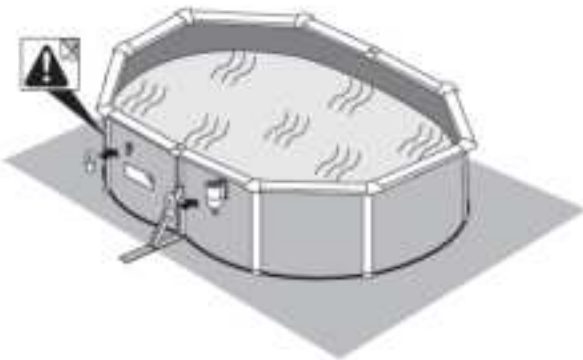


37

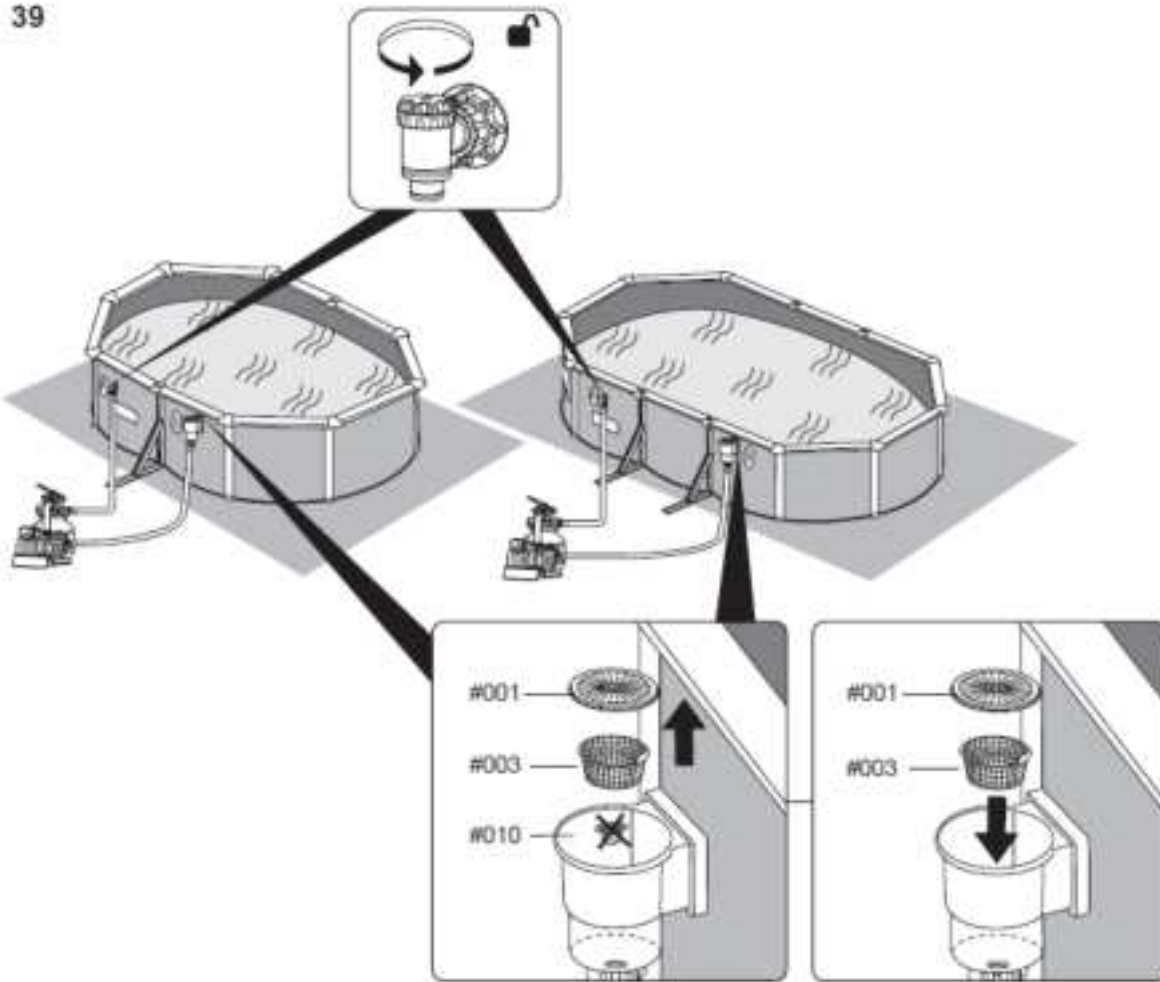


15 cm (5.9")

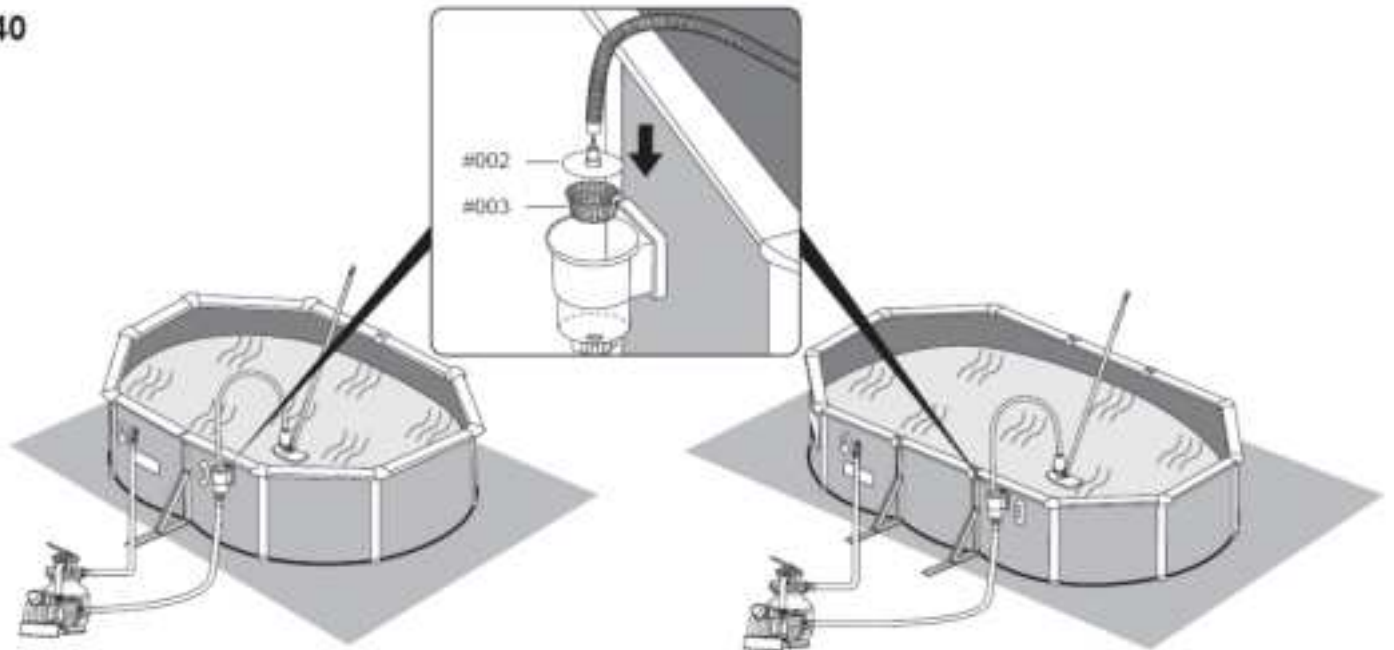
38

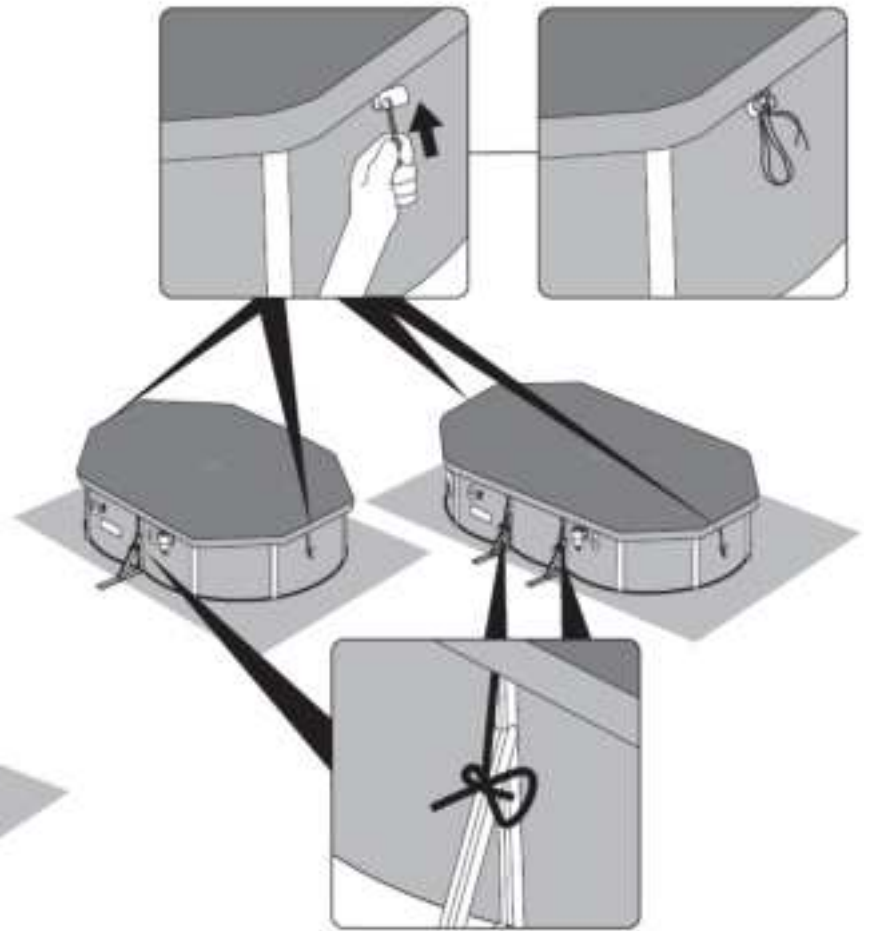
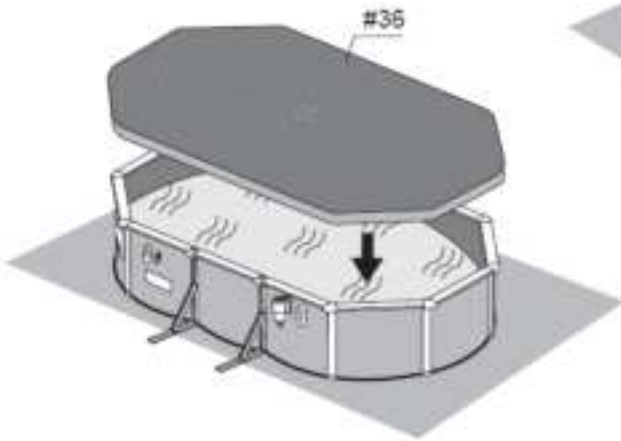
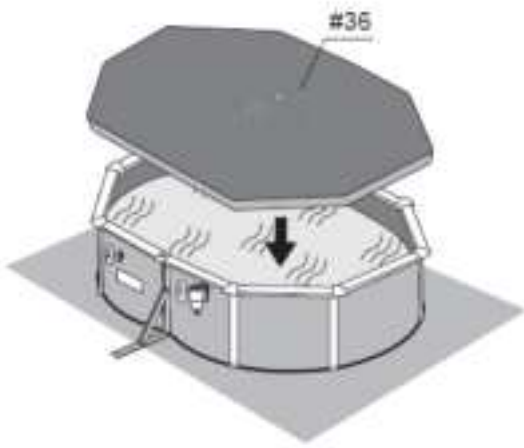


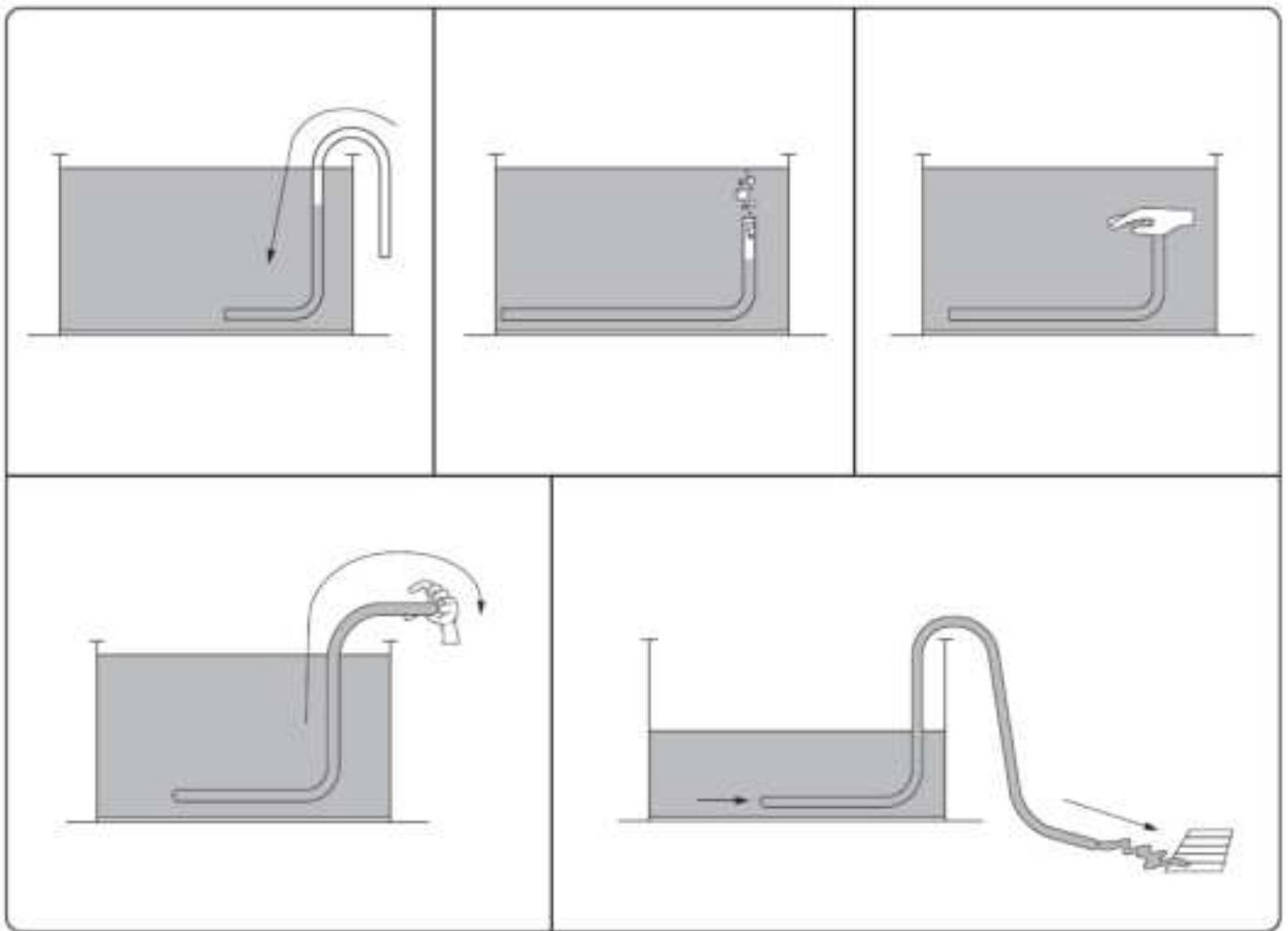
39



40







OWNER'S MANUAL

Visit the Bestway YouTube channel



Visit www.bestwaycorp.com/support for help

WE SUGGEST NOT TO RETURN THE PRODUCT TO THE STORE

QUESTIONS? PROBLEMS? MISSING PARTS?

For FAQ, Manuals, Videos Or Spare Parts, Please Visit bestwaycorp.com/support

SAFETY INFORMATION

READ AND FOLLOW ALL INSTRUCTIONS.

- Carefully read, understand, and follow all information in this user manual before installing and using the pool.

- These warnings, instructions, and safety guidelines address some common risks of water recreation, but they cannot cover all risks and dangers in all cases. Always use caution, common sense, and good judgment when enjoying any water activity. Retain this information for future use. In addition, the following information can be supplied depending on the pool type.
- Safe keeping the instruction. If instruction is missing, search it in website www.bestwaycorp.com/support.

Non Swimmers safety

- Continuous, active, and vigilant supervision of weak swimmers and non-swimmers by a competent adult is required at all times (remembering that children under five are at the highest risk of drowning).
- Designate a competent adult to supervise the pool each time it is being used.
- Weak swimmers or non-swimmers should wear personal protection equipment when using the pool.
- When the pool is not in use, or unsupervised, remove all toys from the swimming pool and its surrounding to avoid attracting children to the pool.

Safety devices

- In order to prevent children from drowning, it is recommended to secure the access to the pool with a protection device. In order to prevent children climbing from the inlet and outlet valve, it is recommended to install a barrier (and secure all doors and windows, where applicable) to prevent unauthorized access to the swimming pool.
- Barriers, pool covers, pool alarms, or similar safety devices are helpful aids, but they are not substitutes for continuous and competent adult supervision.

Safety equipment

- It is recommended to keep rescue equipment (e.g. a ring buoy) by the pool.
- Keep a working phone and a list of emergency phone numbers near the pool.

Safe use of the pool

- Encourage all users especially children to learn how to swim.
- Learn Basic Life Support (Cardiopulmonary Resuscitation - CPR) and refresh this knowledge regularly. This can make a life-saving difference in the event of an emergency.
- Instruct all pool users, including children, what to do in case of an emergency.
- Never dive into any shallow body of water. This can lead to serious injury or death.
- Do not use the swimming pool when using alcohol or medication that may impair your ability to safely use the pool.
- When pool covers are used, remove them completely from the water surface before entering the pool.
- Protect pool occupants from water related illnesses by keeping the pool water treated and practicing good hygiene. Consult the water treatment guidelines in the user's manual.
- Store chemicals (e.g. water treatment, cleaning or disinfection products) out of the reach of children.
- Use the signage as outlined below. Signage is to be displayed in a prominent position within 2 m of the pool.



- Keep children under supervision in the aquatic environment. No diving.
- Removable ladders shall be placed on a horizontal surface.
- Irrespective of materials used for swimming pool construction, accessible surfaces have to be checked regularly to avoid injuries.
- Regularly monitor bolts and screws; splinters or any sharp edges to avoid injuries.
- **ATTENTION:** Do not leave the drained pool outside. The empty pool is liable to being deformed and/or displaced due to wind.
- If have a filter pump, refer to the pump's manual for instructions.
- **WARNING!** The pump cannot be used while people are inside the pool!
- If have a ladder, refer to the ladder's manual for instructions.

WARNING! The use of a swimming pool implies compliance with the safety instructions described in the operating and maintenance guide. In order to prevent drowning or other serious injuries, pay particular attention to the possibility of unexpected access to the swimming pool by children under 5 years by securing the access to it, and, during the bathing period, keep them under constant adult supervision.

NOTE: When installing the pool, the position of skimmer should be opposite to the main wind direction. The placement of the ladder in the pool shall be away from the skimmer.

Please read carefully and keep for future reference.

SETUP INSTRUCTIONS

Overview

Choosing the Correct Location:

The location chosen where the pool will be installed must respect the following conditions:

- Because of the combined weight of the water inside the pool and the users, it is extremely important that the surface chosen is capable of uniformly supporting the total weight for the entire time the pool is installed. When choosing the surface, take into consideration that water may come out of the pool when in use or when it rains. If the water softens the surface, it may lose its capability to support the pool weight.
- The surface must be flat and smooth. If the surface is inclined or uneven, it can create an unbalanced load on the structure of the pool. This can damage the welding points of the liner and bend the frame. In the worst cases, the pool can collapse, causing serious personal injury and/or damage to personal property.
- We recommend positioning the pool away from any objects children could use to climb into the pool.
- Position the pool near an adequate drainage system to deal with overflow or to empty the pool. Ensure the pool side with the **water inlet A and outlet B** is facing in the direction of the power source, where the filtration system will be connected.
- The selected surface must be clear of any type of object. Due to the weight of the water, any object under the pool could damage or perforate the bottom of the pool.
- The selected surface must be clear of aggressive plants and weed species. Types of strong vegetation could grow through the liner and create water leakage. Grass or other vegetation that may cause odor or slime to develop must be eliminated from the chosen location.
- The selected location must not have overhead power lines or trees. Be sure the location does not contain underground utility pipes, lines or cables of any kind.
- The selected position must be far from house entrance. Do not position any equipment or other furniture around the pool. The water that comes out of the pool during use or due to product malfunctions can damage furniture inside the house or surrounding the pool.
- The selected surface must be flat and without holes that can damage the material of the liner.

Suggested surfaces: grass, ground, concrete and all other surfaces that respect the above set-up conditions.

Surfaces to avoid: mud, sand, gravel, deck, balcony, driveway, platform, soft/loose soil or other surface that does not meet the above set-up conditions.

Follow the important instructions above to choose the correct surface and location to set up your pool. If parts become damaged because the set-up surface and location does not adhere to these instructions, it will not be considered a manufacturer defect and will void the warranty and any service claims.

Additional Guidelines:

Check with your local city council for bylaws relating to fencing, barriers, lighting and safety requirements, and ensure you comply with all laws. If a pump and/or ladder is included in the set, refer to the pump's and/or ladder's manual for safety instructions and installation. The ladder must match the pool size.


If you must change locations during set-up, lift the liner to move it; do not drag it on the ground. The friction between the PVC material and the ground can damage the pool liner.

Parts & Tools Needed

Compare the parts in your box to the parts listed in this manual. 

Verify that the equipment components represent the model that you had intended to purchase. If any parts are damaged or missing at the time of purchase, visit our website bestwaycorp.com/support.

Assembly Instructions

For installation instructions, scan the QR code printed on the front cover or follow the illustrations inside the manual.  Drawings are for illustration purposes only. May not reflect actual product. Not to scale.

Installation takes approximately 3 hours with 2-3 people, excluding any preparations or water filling (refer to the package for specific information about your purchased item). Please note that assembly times may vary based on pool size and individual experience. Due to the complexity of the structure, it is suggested to contact a professional company to set up the pool.

Bestway is not responsible for damage caused to the pool due to mishandling or failure to follow these instructions.

Helpful Installation Tips:

We strongly suggest opening the package and assembling the pool when the ambient temperature is above 15°C / 59°F. The PVC material of the liner will be more flexible and easier to assemble in this environment.

We suggest you buy a pool ladder (if one is not included in the set) and prepare it before setting up the pool, as it will help whenever you need to get inside it.

Step 1: Install the ladder before starting the pool installation. It will be necessary to use it during the installation. Place the Ground Cloth (#29) in the selected area. Use gloves during pool installation.

Step 10: Position the Steel Wall (#12) inside the PVC Rails by starting from the first Bottom Plastic Connectors (#14) and correctly following the sequence as shown.

IMPORTANT: During this step, the Steel Wall (#12) must be carefully lifted and placed inside the PVC Rails without applying any vertical pressure, or it will cause permanent deformation to the Steel Wall.

Step 26: **IMPORTANT: Before moving on, ensure the upper platforms are correctly installed as indicated in the figure.**

Step 27: Folds in the liner on the bottom reduce the size of the pool and create extra pressure on the seams, reducing its lifespan. Before filling the pool with water, ensure the bottom PVC Rails are correctly installed as indicated in the above figure. When the pool is filled with enough water to cover 2/3 of the pool bottom, gently smooth out the bottom liner to remove all folds. We recommend starting from the center of the pool and continuing outwards. You can continue to fill the pool when the floor is smooth and wrinkle-free.

IMPORTANT: Do not add too much water when eliminating the folds. If there is too much water, the excessive weight does not allow the liner to move, resulting in folds not being removed.

Step 29 & 31:

IMPORTANT: To perform this step correctly, the pool must be filled with water to the level indicated in Step 28.

IMPORTANT: Cut the liner following the instructions correctly. It does not create any problems with water leakage. When the connection valve is installed, the liner around the hole creates an additional seal and prevents water leakage.

Tools Required (not included):



Filling the Pool with Water:

ATTENTION: Do not leave the pool unattended while filling with water. Check the pool situation by time during this operation.

It is highly recommended to use tap water for filling to minimize unwanted content, such as minerals. Do not use sea water. Fill the pool with water after all assembly steps are completed and until the water reaches the welding line, which corresponds to 90% of the full capacity. Do not overfill as this could cause the pool to collapse. In the case of heavy rainfall, we strongly recommend reducing the water level to keep it at 90% capacity and avoid the overflow of water.

IMPORTANT: When the pool is 90% full, check that the distance between the water surface and the top of the rails is the same all around. If it is different, it means that the surface is not level, and we strongly recommend draining the water and adjusting the chosen location. Never attempt to move the pool with water still in it.

IMPORTANT: Keeping the pool full of water on unlevel ground can cause the bursting of welding points and/or pool collapse, causing serious personal injury and/or damage to property. Your pool may contain a great deal of pressure. If your pool has a bulge or uneven side, the sides may burst, suddenly releasing water and causing serious personal injury and/or damage to property. When the pool is 90% full, check the pool for any leaks at the valves or seams and for any evident water loss. Do not add any chemicals to the water until this has been done.

MAINTENANCE INSTRUCTIONS

Keeping your pool water clean and chemically balanced is necessary. Simply using the filtration system and cleaning the filter cartridge is not enough for proper maintenance of the water.

It is important to prioritize the maintenance and health of your pool water. If you do not adhere to these guidelines, your and your family's health might be at risk.

Water Maintenance:

We recommend you use pool chemicals to maintain water chemistry and chlorine or bromine tablets (do not use granules) with a chemical dispenser.

The chemical maintenance with chemical tablets must be performed with a chemical dispenser or chemical floater. Do not throw chemical products directly into the water. The chemicals will settle on the bottom of the pool and damage and discolor the liner. In the worst cases, it will damage the structure of the pool liner.

Pool damage resulting from the misuse, number of users and overall mismanagement of pool water is not covered by the warranty. Water quality is directly related to frequency of use, number of users and overall maintenance of the pool. The water should be changed every 3 days if there is no chemical treatment being performed with the water. We recommend that you take a shower before using your pool, as cosmetic products, lotions and other residues on the skin can quickly degrade water quality. Place a bucket of water next to the pool to clean users' feet before they enter the water.

Use a pool skimmer for the surface and a vacuum cleaner for the pool bottom regularly to avoid settled dirt. If they are not included in the set, you can purchase them by visiting our website (www.bestwaycorp.com) or by visiting the nearest pool supply store.

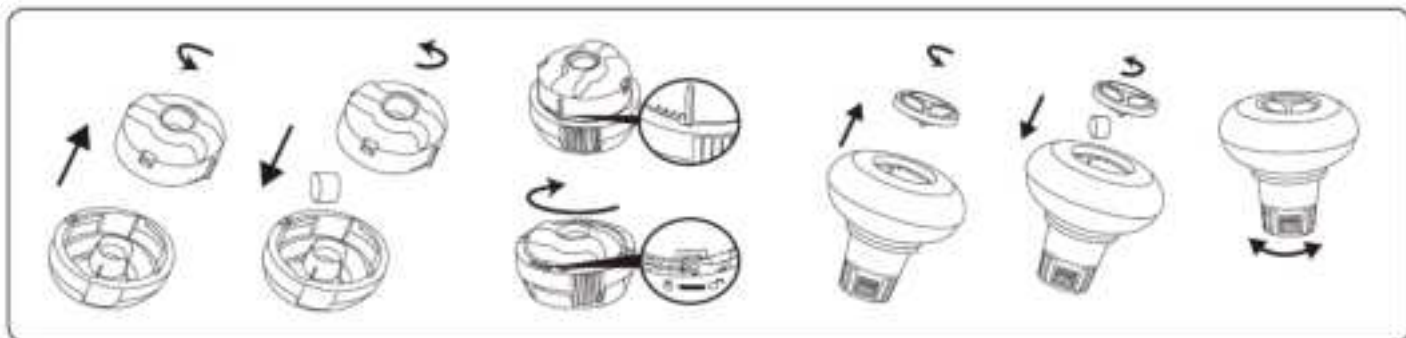
Chemical Usage:

Your pool set may not include a chemical dispenser. In this case, you can purchase one by visiting our website (www.bestwaycorp.com) or by visiting the nearest pool supply store. Remove the chemical dispenser when the pool is in use. After performing chemical maintenance and before using the pool, use a test kit (not included) to test the water chemistry. We recommend maintaining your water's chemical balance as shown in the table below.

Exceeding the following parameters can damage the structure of the liner and create a dangerous situation for the users.

Parameters	Values
Water clarity	clear view of the pool bottom
Colour of the water	no colour should be observed
Turbidity in FNU/NTU	max. 1,5 (preferably less than 0,5)
Nitrate concentration above that of fill water in mg/l	max. 20
Total organic carbon (TOC) in mg/l	max. 4,0
Redox potential against Ag/AgCl 3,5 m KCl in mV	min. 650
pH value	6,8 to 7,6
Free active chlorine (without cyanuric acid) in mg/l	0,3 to 1,5
Free chlorine used in combination with cyanuric acid in mg/l	1,0 to 3,0
Cyanuric acid in mg/l	max. 100
Combined chlorine in mg/l	max. 0,5 (preferably close to 0,0 mg/l)

Please consult your local pool or chemical supply retailer for more information about chemical maintenance. Pay close attention to the chemical manufacturer's instructions.



Winterization

The specific structure of the pool allows it to stay up all year long without completely emptying the pool water. Make sure the filtration system and other pool accessories are disconnected from the pool. Use the pool cover throughout the winter season to prevent debris from falling into the pool.

When the outdoor temperature is around 0°C (32°F) or below, there is a risk that the water will freeze. Before installing the pool cover:

1. Ensure the water level is at least 10 cm (3.9") lower than the pool inlet A. If the water level is above the pool inlet A and outlet B, water may freeze inside, irreparably damaging the liner when the ice expands. It will not be considered a manufacture defect and will void the warranty and any service claims.
2. Place an inflatable item made of cold-resistant material, such as a pool pillow (not included), on the surface of the water to compensate for the space between the water level and the top rails. This will ensure the pool cover is supported.

IMPORTANT TIPS:

If there is ice in the pool water, remove it very carefully. The sharp edges of the ice can break and damage the pool liner.

If it rains, check the water level to ensure it is 10 cm (3.9") lower than the pool inlet A, especially if the outdoor temperature is around 0°C (32°F) or below and the water may freeze.

Ongoing Pool Maintenance:

For liner maintenance, refer to the illustration steps inside the manual.



We suggest that you buy a pool cover, if one is not included in the set, and cover the pool when not in use to prevent damage to the top rail material. Gently clean any dirt from the top rails with a clean cloth. In the event of a leak, patch your pool using the underwater adhesive repair patch provided. You can find the instructions in the FAQs on the support section of our website (www.bestwaycorp.com/support).


Accessory Attachments:

If a pump and/or ladder is included in the set, refer to the pump's and/or ladder's manual for safety instructions and installation. The ladder must match the pool size.

If your pool has a connection valve for attaching pool cleaning accessories, you must remove the debris screen from the connector prior to accessory attachment.

DISASSEMBLY & STORAGE INSTRUCTIONS

Draining:

For draining, refer to the illustration steps inside the manual.  Drawings are for illustration purposes only. May not reflect actual product. Not to scale.

Before draining your pool water, make sure that you are draining your pool away from the house and any objects that are subject to water damage. Check local regulations for drainage bylaws.

Cleaning:

1. Rinse the pool liner with tap water to remove any residue left by chemicals or debris.
2. Leave the flattened liner in the sunlight until it's completely dry.
3. To remove the remaining water completely, wipe the pool liner with a dry cloth.

Storage:

Remove all accessories. Be sure that pool liner and accessories are completely clean and dry before storage. If the pool is not completely dry, mold may result and will damage the pool liner during the storage period.

Once the pool is completely dry, sprinkle with talcum powder to prevent the liner from sticking together.

Fold the pool liner only if the ambient temperature is above 15°C / 59°F. Store the pool in a dry place with a moderate temperature between 15°C / 59°F and 38°C / 100°F and keep the pool liner and all accessories inside a cardboard box to better protect the PVC material during the winter period.

WARRANTY TERMS

For support and product registration, please visit bestwaycorp.com/support.