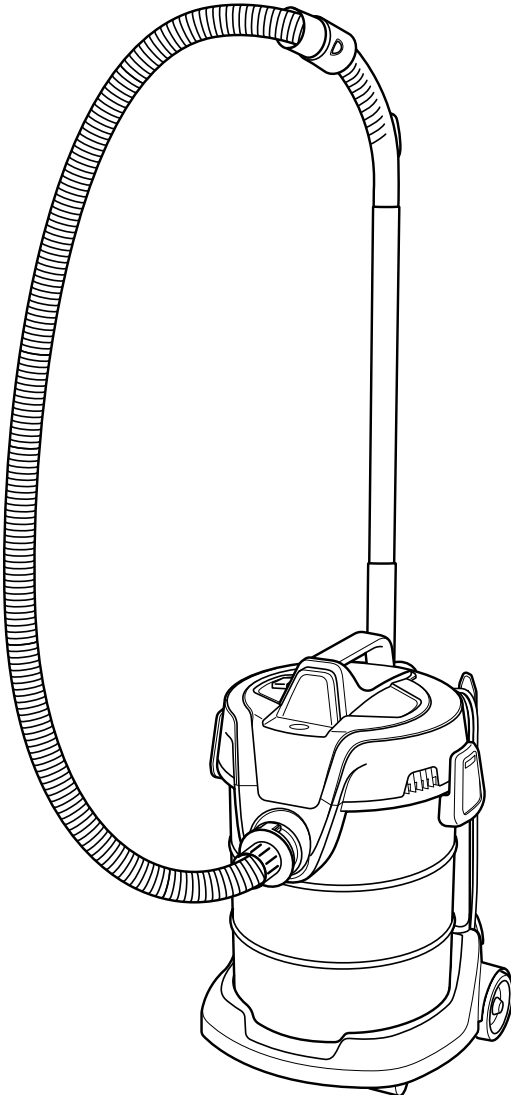
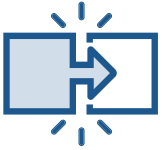




# Bissell®

**MULTICLEAN™ WET + DRY DRUM VACUUM**  
MODEL 2026M





..... 3



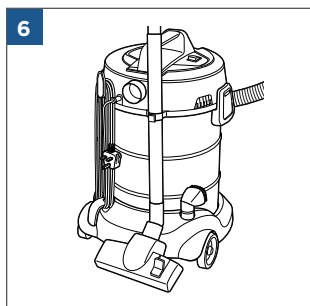
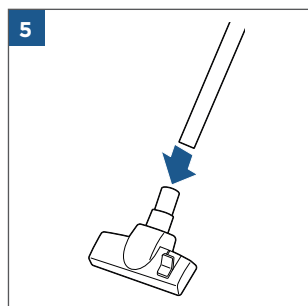
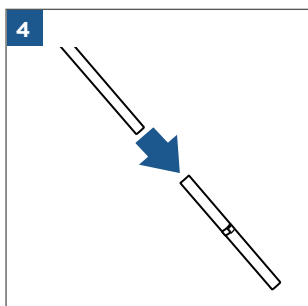
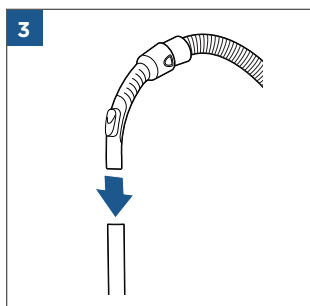
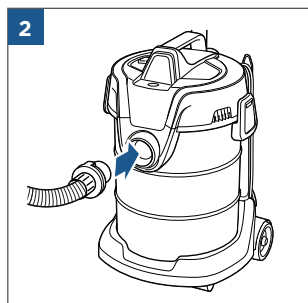
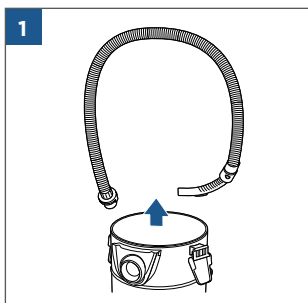
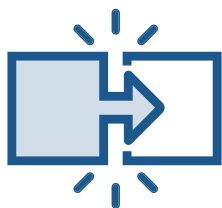
..... 6

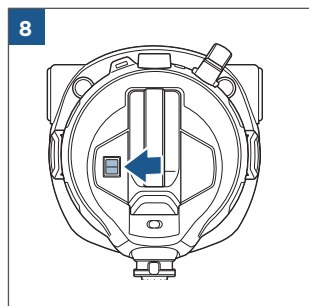
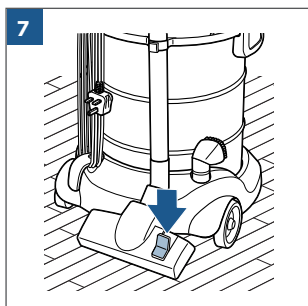
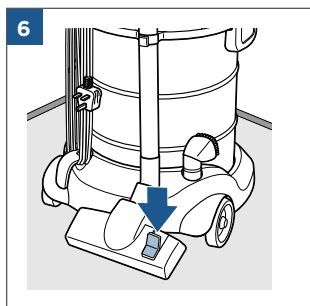
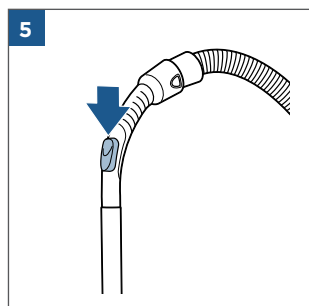
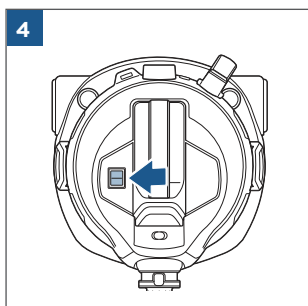
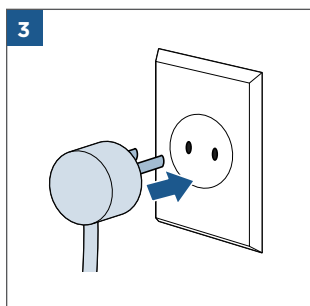
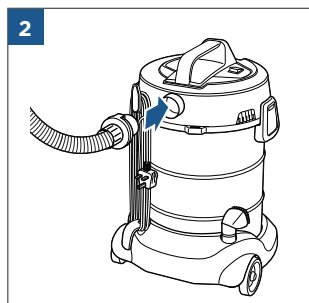
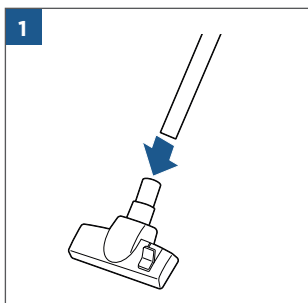


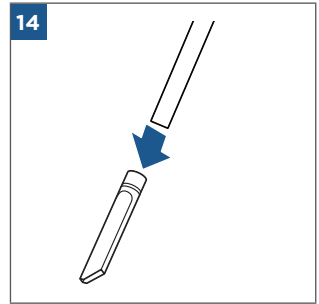
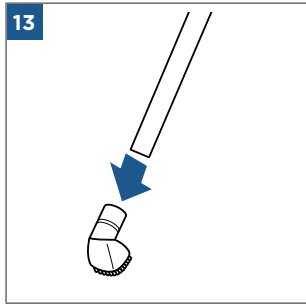
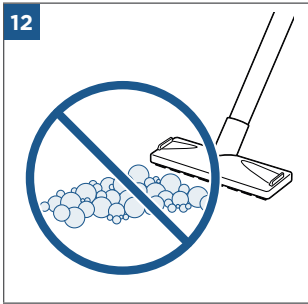
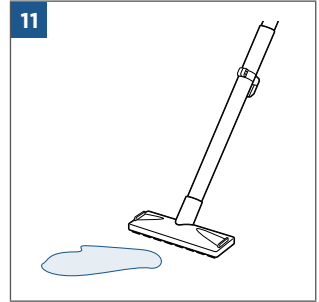
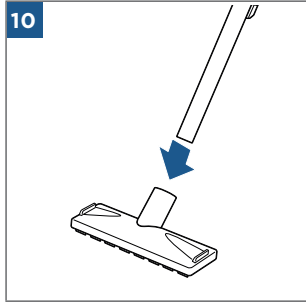
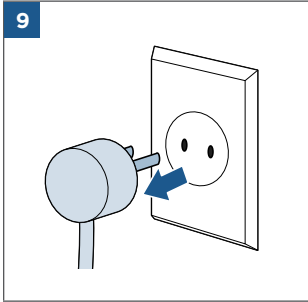
..... 4

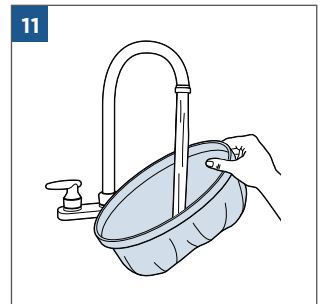
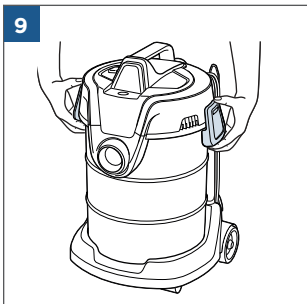
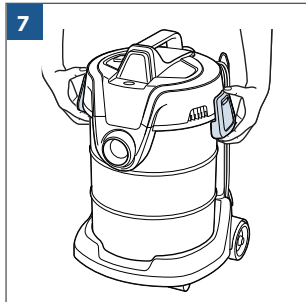
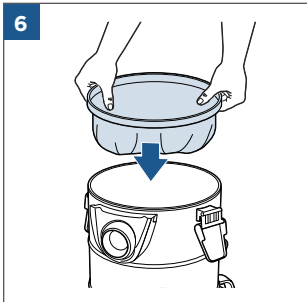
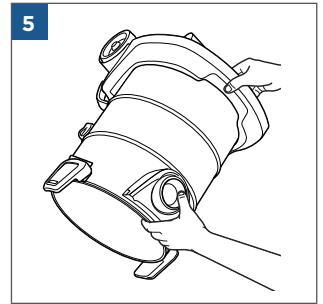
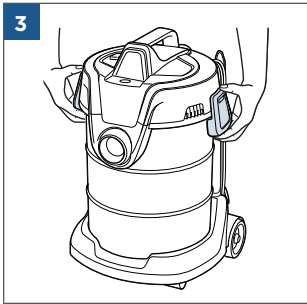
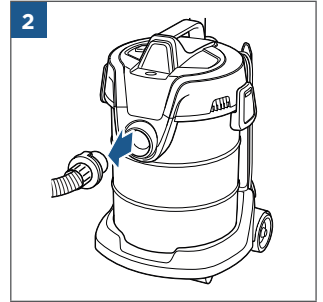
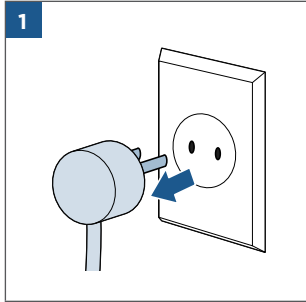


|  |  |  |  |  |
|--|--|--|--|--|
|  |  |  |  |  |
|  |  |  |  |  |



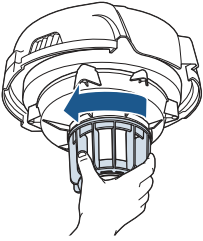




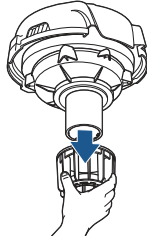




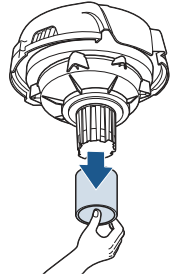
12



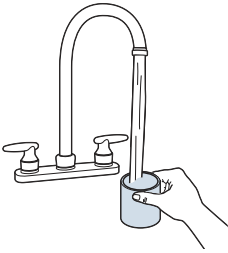
13



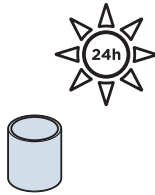
14



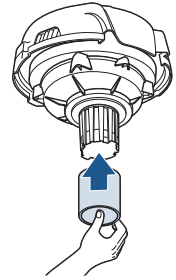
15



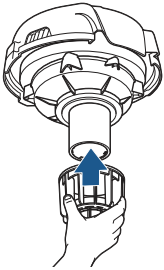
16



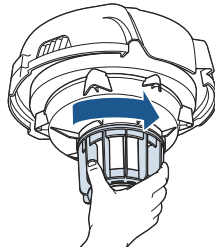
17



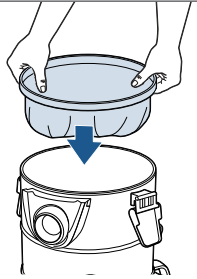
18



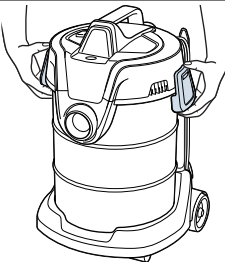
19



20



21





©2022 BISSELL Inc. All rights reserved.  
Part Number 1631127 06/22 RevC  
[global.BISSELL.com](http://global.BISSELL.com)