

blurams Snowman

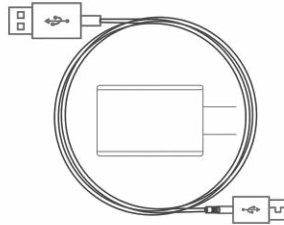
1080P Dome Camera

Package Information

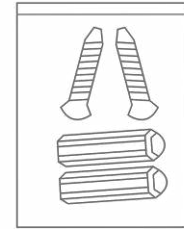
After removing the package, please check if the camera packaging is intact and the accessories are complete.



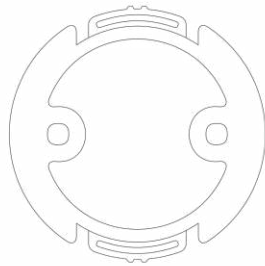
1× Camera



1× USB cable &
Power adapter



1× Screw accessory
pack

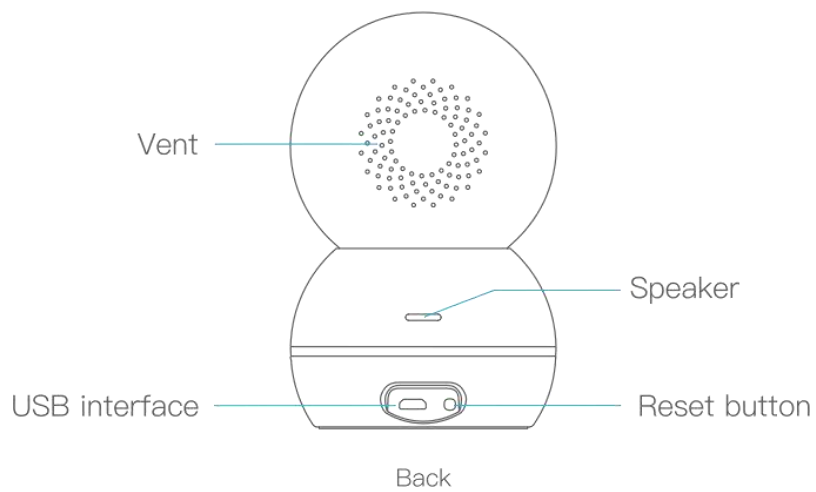
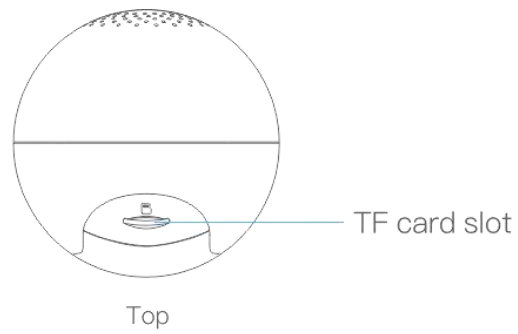
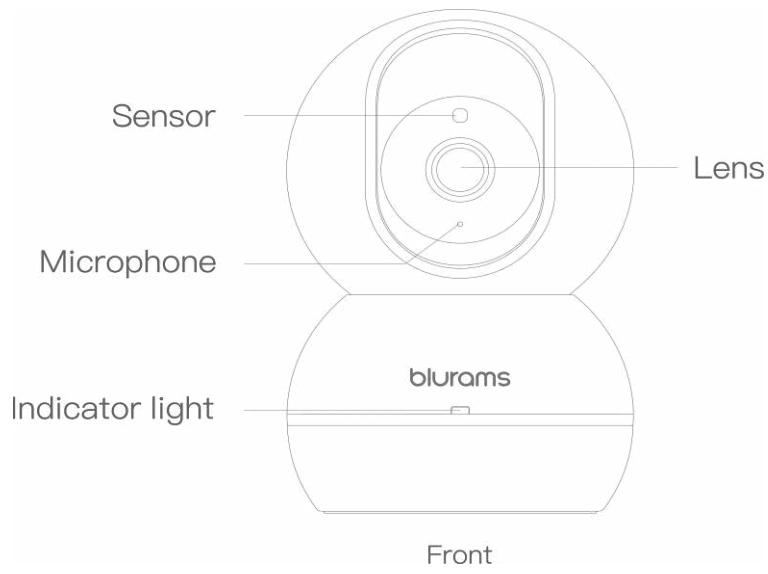


1× Mounting Base



1× Manual

Camera Component



Installation instructions

1, Place the camera in a best position.

2, Power on this camera to a power socket via the USB cable.

3, Installation Tips

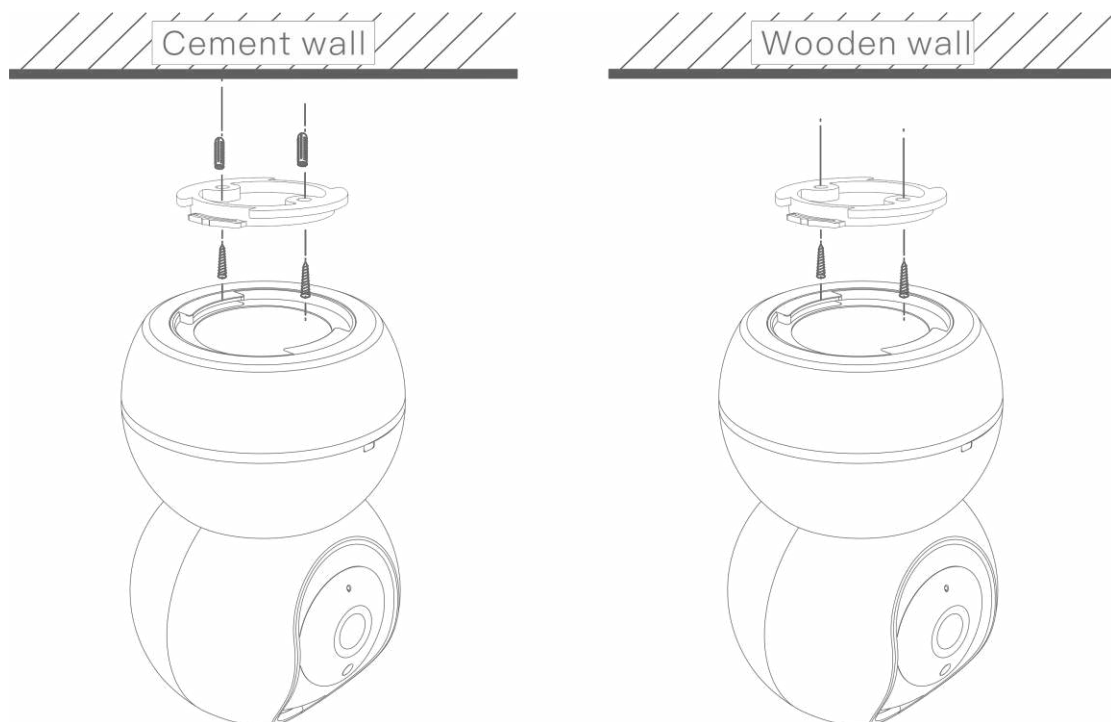
You can follow this to install the camera:

A. Choosing where you exactly the camera.

B. Place the mounting tab on the wall and drill through it to make holes for making first.

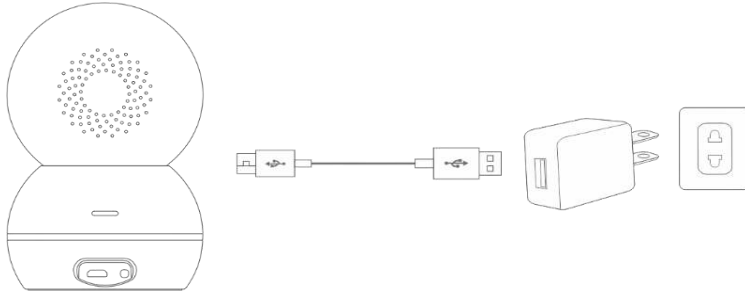
C. Aligning this IP camera with the mounting tab.

D. Place the camera over the fastened mounting tad and rotate it until it locked and secured.



Quick configuration

1, Connecting the IP camera to power socket with a usb cable.

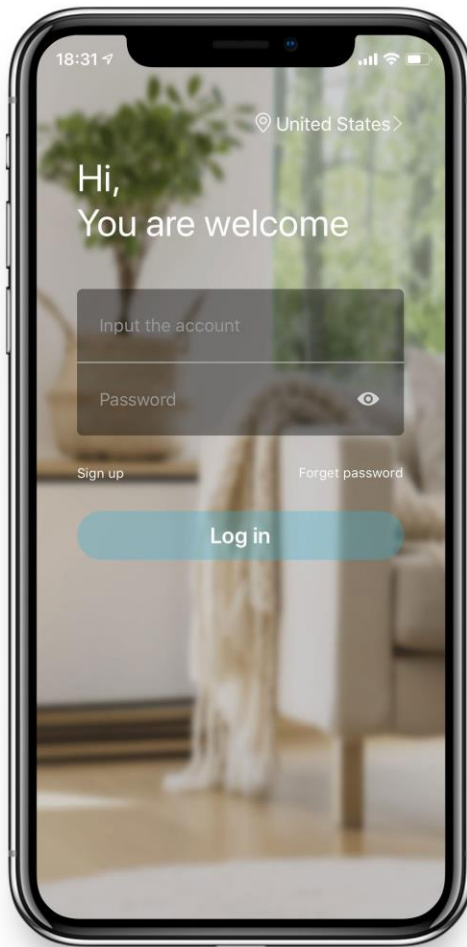


2, Make sure your phone is connecting to a 2.4G wi-fi network. Then scan the QR code and download the blurams app as free.



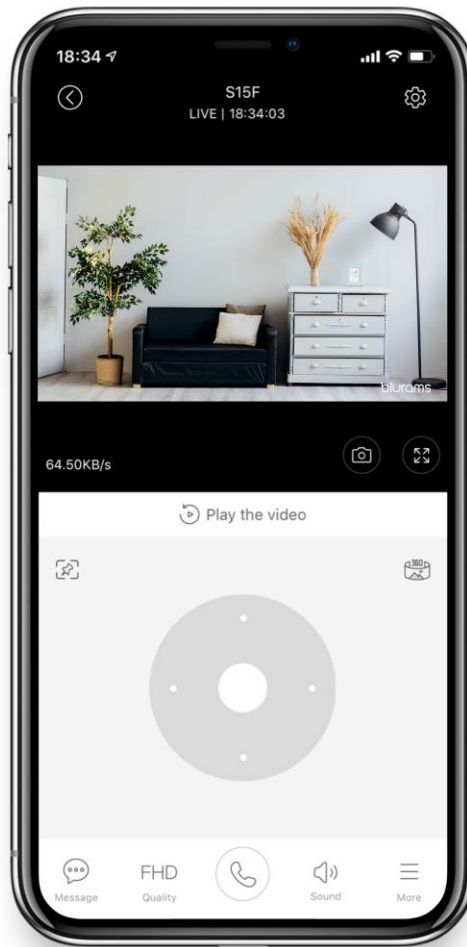
3, Register and log into the blurams account.

4, Follow the app instruction to add the camera.



5, Live View.

Enter into the video interface on the blurams App, where you can live view the videos or choose the setting options such as voice command, two-way audio, snapshot and video recording.



6, Parameters Setting.

Tap setting options to enter the setting interface, where various custom setting are available.

