



 **BOSCH**

EasyGrassCut

23 | 26

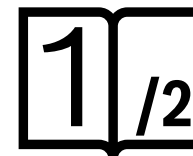
Robert Bosch Power Tools GmbH
70538 Stuttgart
GERMANY

www.bosch-pt.com

F 016 L94 679 (2023.07) 0 / 31



F 016 L94 679



en Original instructions
ar دليل التشغيل الأصلي
fa دفترچه راهنمای اصلی



English Page 3
عربي الصفحة 10
فارسی صفحه 17

CE / UK CA 2/2

English

Safety Notes

- ▶ **Warning! Read all safety warnings and all instructions. Make yourself familiar with the controls and the proper use of the product. Please keep the instructions safe for later use!**

Explanation of symbols on the machine



General hazard safety alert.



Read instruction manual.



Make sure that bystanders are not injured by foreign objects being thrown away.



Warning: Keep a safe distance to the product when operating.



Switch off and remove plug from mains before adjusting, cleaning or if the cable is entangled and before

leaving the garden product unattended for any period. **Keep the supply flexible cord away from the cutting line.**



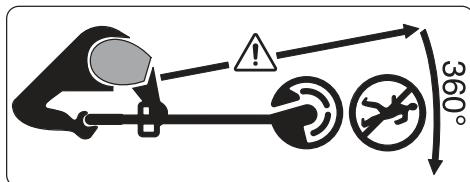
Not applicable.



Wear eye and ear protection.



Do not use the product in the rain or leave it outdoors when it is raining.



Make sure that bystanders are not injured by foreign objects being hurled away.

Warning: Keep a safe distance from the machine when operating.



Carefully check the area where the tool is to be used for wildlife and pets. Wildlife and pets may be injured while the machine is in operation. Thoroughly check the working area and remove any stones, sticks, wires, bones and foreign objects. When using the machine, ensure that no wildlife, pets or small tree stumps are hidden in the dense grass.

General Safety Warnings for Trimmers

- ▶ **Read all safety warnings, instructions, illustrations and specifications provided with this machine.** Failure to follow the safety warnings and instructions may result in electric shock, fire and/or serious injury.
- ▶ **Save all safety warnings and instructions for future reference.**
- ▶ The term machine in the warnings refers to your mains-operated (corded) machines or battery-operated (cordless) machines.

Work area safety

- ▶ **Keep work area clean and well lit.** Cluttered or dark areas invite accidents.
- ▶ **Do not operate the machine in explosive atmospheres, such as in the presence of flammable liquids, gases or dust.** Machines create sparks which may ignite the dust or fumes.
- ▶ **Keep children and bystanders away while operating the machine.** Distractions can cause you to lose control over the machine. Never operate the machine while people, especially children or pets, are nearby.

Electrical safety

- ▶ **The plug of the machine must match the outlet. Never modify the plug in any way. Do not use any adapter plugs with earthed (grounded) power tools.** Unmodified plugs and matching outlets will reduce the risk of electric shock.
- ▶ **Avoid body contact with earthed or grounded surfaces, such as pipes, radiators, ranges and refrigerators.** There is an increased risk of electric shock if your body is earthed or grounded.
- ▶ **Do not expose the machine to rain or wet conditions.** Penetration of water in the machine increases the risk of an electric shock.
- ▶ **Never use the cord for carrying, hanging up or unplugging the machine. Keep cord away from heat, oil, sharp edges and moving parts.** Damaged or entangled cords increase the risk of electric shock.
- ▶ **When operating a machine outdoors, use an extension cord suitable for outdoor use.** Use of a cord suitable for outdoor use reduces the risk of electric shock.
- ▶ **When operating the machine in damp environments is unavoidable, use a residual current device (RCD).** The use of a residual current device (RCD) reduces the risk of electric shock.

Personal safety

- ▶ **Stay alert, watch what you are doing and use common sense when operating the machine. Do not use a machine while you are tired or under the influence of drugs, alcohol or medication.** A moment of inattention while operating the machine may result in serious personal injury.
- ▶ **Wear safety equipment. Always wear eye protection.** Wearing safety equipment such as dusk mask, non-skid safety shoes, hard hat, or hearing protection used for appropriate conditions will reduce personal injuries.
- ▶ **Prevent unintentional starting. Ensure the switch is in the off-position before connecting to power source and/or battery, picking up or carrying the machine.** Carrying machines with your finger on the switch or plugging in machines that have the switch on invites accidents.
- ▶ **Remove any adjusting key or spanner before turning the machine on.** A spanner or a key left attached to a rotating part of the machine may result in personal injury.
- ▶ **Avoid abnormal body posture. Provide for a secure stance and keep your balance at all times; never run.** This enables better control of the machine in unexpected situations.
- ▶ **Dress properly. Do not wear loose clothing or jewellery. Keep your hair and clothing away from moving parts.** Loose clothes, jewellery or long hair can be caught in moving parts. Always wear sturdy footwear and long trousers when operating the machine.
- ▶ **If devices are provided for the connection of dust extraction and collection facilities, ensure these are connected and properly used.** Use of dust collection can reduce dust-related hazards.
- ▶ **Do not assume a false sense of security and disregard the safety regulations for machines, even if familiar with the machine through multiple use.** A careless action can cause severe injury within a fraction of a second.

Use and Handling of the Machine

- ▶ **Do not force the machine. Use the correct machine for your application.** The correct machine will do the job better and safer at the rate for which it was designed.
- ▶ **Do not use the machine if the switch does not turn it on and off.** Any machine that cannot be controlled with the switch is dangerous and must be repaired.
- ▶ **Disconnect the plug from the power source and/or remove the battery pack, if detachable, from the machine before making any adjustments, changing accessories, or storing machines.** Such preventive safety measures reduce the risk of starting the machine accidentally.
- ▶ **Store idle machines out of the reach of children. Do not allow persons unfamiliar with the machine or these instructions to operate the machine.** Trimmers are dangerous in the hands of untrained users.

- ▶ **Maintain trimmers with care. Check for misalignment or binding of moving parts, breakage of parts and any other condition that may affect the operation of the machine. Have damaged parts repaired before using the machine.** Many accidents are caused by poorly maintained machines.
- ▶ **Keep cutting tools sharp and clean.** Properly maintained cutting tools with sharp cutting edges are less likely to bind and are easier to control.
- ▶ **Use the machine, accessories, application tools, etc. according to these instructions. Take the working conditions and the work to be performed into account.** Use of machines for operations different from those intended could result in a hazardous situation.
- ▶ **Keep handles and grasping surfaces dry, clean and free from oil and grease.** Slippery handles and grasping surfaces do not allow for safe handling and control of the machine in unexpected situations.

Service

- ▶ **Have your machine serviced by a qualified repair person using only identical replacement parts.** This ensures that the safety of your machine is maintained.

Operation

- ▶ The operator must use the product in accordance with the regulations. The local conditions must be taken into account. When working, pay attention to other people, especially to children.
- ▶ Never allow children, persons with physical, sensory or mental limitations or a lack of experience and/or knowledge and/or people unfamiliar with these instructions to use the machine. Local regulations may restrict the age of the operator.
- ▶ Children should be supervised to ensure that they do not play with the product.

Application

- ▶ **When working with the machine, always hold it firmly with both hands and provide for a secure stance.** The garden tool is guided more secure with both hands.
- ▶ Always wait until the machine has come to a complete stop before placing it down.
- ▶ Never operate the machine with a defective protection guard/cover or without safety device. Ensure that these are properly mounted. Never use the garden tool when incomplete or after unauthorised changes.
- ▶ Never operate the machine if the cord is damaged or worn.
- ▶ Never replace non-metallic cutting elements with metal cutting elements.
- ▶ Never repair the garden tool yourself unless you are qualified to do so.
- ▶ Other persons and animals should remain or be kept a suitable distance away when using the garden tool. The operator is responsible for third parties in the work area.

- ▶ Wait until the cutting head has completely stopped before touching it. The cutting head continues to rotate after the trimmer is switched off; a rotating cutting head can cause injury.
- ▶ Work only in daylight or in good artificial light.
- ▶ Avoid operating the trimmer in bad weather conditions especially when there is a risk of lightning.
- ▶ Operating the trimmer in wet grass decreases the efficiency of performance.
- ▶ When transporting, switch the garden tool off and pull the mains plug.
- ▶ Always ensure a safe working position when working with the trimmer. Always keep your hands and feet at a safe distance from rotating parts.
- ▶ Take care when placing product on floor, as it may become a trip hazard.
- ▶ Remove the mains plug before replacing the spool.
- ▶ Inspect and maintain the trimmer regularly.
- ▶ Always wear gloves when cleaning product or replacing cutting means.
- ▶ Be careful of injuries from the blade used for cutting the cutting line. After feeding cutting line, always return the trimmer to a horizontal working position before switching on.

Switch the garden tool off and remove the plug from the socket:

- whenever you leave the machine unattended for any period of time
- before replacing the cutting line
- if the cable is tangled,
- before cleaning or working on the trimmer
- before storing the trimmer
- ▶ Store the product in a secure, dry place out of the reach of children. Do not place other objects on top of the product.

Electrical Safety

Switch the machine off and pull the mains plug before actuating the manual-feed button. This button should only be used in the event of an obstruction of the cutting line.



Warning! Switch the product off and pull the mains plug before any maintenance or cleaning. The same applies when the mains cable is damaged, cut or entangled.

Your product is double insulated for safety and requires no earth connection. The operating voltage is 230 V AC, 50 Hz (for non-EU countries 220 V, 240 V as applicable). Contact your Bosch Service Centre for details. If in doubt contact a qualified electrician or the nearest Bosch Service Centre. For increased electrical safety use a Residual Current Device (RCD) with a tripping current of not more than 30 mA. Always check your RCD every time you use it.

Keep the supply cables away from moving hazardous parts and avoid damage to the cables; this can lead to contact with live parts.

The connections (plugs and sockets) should be kept dry and off the ground.

The supply cables must be inspected for signs of damage at regular intervals and may only be used if in perfect condition.

If the supply cable on the product is damaged, it must only be replaced by a Bosch Service Centre. Only use approved extension cables.

Use only extension cords, cables, leads and cable reels that comply with EN 61242/IEC 61242 or IEC 60884-2-7 and are of type H05VV-F or H05RN-F.

If you want to use an extension cable when operating your product, only the following cable dimensions should be used:

- Nominal conductor area of 1.25 mm² or 1.5 mm²
- Maximum length 30 m for a Cord Extension Set or maximum length of 60 m for a Cable Reel with Residual Current Device (RCD).

Note: If an extension cable is used it must be earthed and connected through the plug to the earth cable of your supply network in accordance with prescribed safety regulations.

If in doubt contact a qualified electrician or the nearest Bosch Service Centre.



WARNING! Inadequate extension cables can be dangerous. Extension cable, plug and socket must be of watertight construction and intended for outdoor use.

For products **not sold in GB:**

WARNING: For your safety, it is required that the plug attached to the product is connected with the extension cord. The coupling of the extension cord must be protected against splash water, be made of rubber or coated with rubber. The extension cord must be used with a cable strain relief.

Products sold in GB only:

Your product is fitted with an BS 1363/A approved electric plug with internal fuse (ASTA approved to BS 1362).






If the plug is not suitable for your socket outlets, it should be cut off and an appropriate plug fitted in its place by an authorised customer service agent. The replacement plug should have the same fuse rating as the original plug.

The severed plug must be disposed of to avoid a possible shock hazard and should never be inserted into a mains socket elsewhere.

- ▶ **Products that are only sold in AUS and NZ:** Use a residual current device (RCD) with a nominal residual current of 30 mA or less.

Symbols

The following symbols are important for reading and understanding the original instructions. Please take note of the symbols and their meaning. The correct interpretation of the symbols will help you to use the product in a better and safer manner.

Symbol	Meaning
	Movement direction
	Reaction direction
	Wear protective gloves
	Weight
	Switching on
	Switching off
	Permitted action
	Prohibited action
CLICK	Audible noise
	Accessories/Spare Parts

Intended Use

The garden tool is intended for domestic use, for trimming grass and weeds at ground level. It is designed for trimming grass growing on slopes, under obstacles and lawn edges that cannot be reached by the lawn mower. The garden tool is not designed for use as a brush cutter. The garden tool is not intended for commercial or industrial use.

Technical Data

Grass trimmer		EasyGrassCut 23	EasyGrassCut 26
Article number		3 600 HC1 H..	3 600 HC1 J..
Rated power input	W	280	280
No-load speed	min ⁻¹	12500	12500
Cutting line diameter	mm	1.6	1.6
Cutting diameter	cm	23	26
Cutting spool capacity	m	4.0	4.0
Weight according to EPTA-Procedure 01:2014	kg	2.0	2.0
Protection class		□/II	□/II
Serial number		see type plate on garden tools	

The specifications apply to a rated voltage [U] of 230 V. These specifications may vary at different voltages and in country-specific models.

Noise/Vibration Information

	3 600 HC1 H..	3 600 HC1 J..
--	---------------	---------------

Noise emission values determined according to **EN 50636-2-91**.

Deliver scope (see figure B)

Carefully remove the machine from its packaging and check if the following parts are complete:

- Grass trimmer
- Protection guard
- Operating instructions

When parts are missing or damaged, please contact your dealer.

Product Features (see figure A)

The numbering of the product features refers to the illustration of the product on the graphics pages.

- (1) Adjustable handle
- (2) Lock-off button for On/Off switch
- (3) On/Off switch
- (4) Mains plug^{a)}
- (5) Handle-adjustment release
- (6) Protection guard
- (7) Transport safety
- (8) Cable hook
- (9) Spool cover
- (10) Spool
- (11) Hole for line wind-up
- (12) Hole for line guiding
- (13) Line-feed button

a) **Accessories shown or described are not included with the product as standard. You can find the complete selection of accessories in our accessories range.**

3 600 HC1 H..

3 600 HC1 J..

Typically the A-weighted noise levels of the product are:

– Sound pressure level	dB(A)	78	80
– Uncertainty K	dB	= 2.5	= 2.5
– Sound power level	dB(A)	90	92
– Uncertainty K	dB	= 2.0	= 2.0

Vibration total values ah (triax vector sum) and uncertainty K determined according to **EN 50636-2-91**

– Vibration emission value a_h	m/s^2	< 2.5	< 2.5
– Uncertainty K	m/s^2	= 1.5	= 1.5

Mounting and Operation

Action	Figure	Page
Product features	A	24
Delivery scope	B	25
Removing the transport safety	C	25
Connecting the shaft	D	26
Adjusting the Handle	E	26
Mounting the protection guard	F	27
Connecting the extension cable	G	28
Switching On and Off		
Removing the line spool	H	28
Winding line on spool	I	29
Mounting the line spool	J	29
Line feeding	K	30
Maintenance, Cleaning and Storage	L	30
Accessories	M	31

Assembly

- ▶ **Caution: Switch the garden tool off and pull the mains plug before performing any maintenance.**

Connect shaft (see figures C and D)

Note: A connected shaft can no longer be dismantled.

Remove the transport safety (7).

Connect the individual parts of the shaft until they can be heard to engage.

Mounting and adjusting the handle (see figure E)

The handle (1) can be set to different positions. To change the adjustment, press buttons (5) and move the handle to the desired position. Release the buttons (5) again so that the handle can engage.

Mounting the protection guard (see figure F)

In order to protect the plants, pull the bracket from the delivery position to the storage position before mounting the protection guard.

Position the protection guard (6) on the trimmer head and fasten it with the provided screw.

Do not disassemble guard once connected.

Then pull the bracket into the working position to protect the plants.

Operation

- ▶ **Pay attention to the mains voltage.** The voltage of the power source must match the voltage specified on the rating plate of the machine.
- ▶ **Caution: Switch the garden tool off and pull the mains plug before adjusting or cleaning.**
- ▶ **The cutting line continues to rotate for a few seconds after the trimmer is switched off. Allow the motor/cutting line to stop rotating before switching on again.**
- ▶ **Do not touch cutting line before the rotating cutting line stops.**
- ▶ **Do not briefly switch off and on again several times in a row.**
- ▶ **Only use Bosch approved cutting elements. Cutting performance will vary with different cutting elements.**

Switching On and Off (see figure G)

To **switch on**, firstly press the lock-off button (2). Then press the On/Off switch (3) and keep it pressed.

To **switch off**, release the On/Off switch (3).

Dismounting the spool, winding up the cutting line and mounting the spool (see figures J to H)

- ▶ **Remove the mains plug before replacing the spool.**

Press both latches of the spool cover together and remove the spool cover (9). Afterwards, remove the empty spool (10).

Cut off approx. 4.0 m line from the refill roll. Slide one end of the cutting line into the hole for line wind-up (11) in the spool and wind up the cutting line uniformly and tightly.

Slide the other end of the cutting line through the hole for line guiding (12) in the trimmer head and mount the spool back into the trimmer head. Affix the spool by mounting the spool cover.

Line Feeding (see figure K)

Semi-automatic Line Feeding

The trimmer is equipped with a semi-automatic feeding system. The system feeds the line with every press of the on/off switch (3).

Manual Line Feeding

Press the line-feed button (13), and pull the cutting line out to the desired length.

Troubleshooting



Problem	Possible Cause	Corrective Action
Motor refuses to start	Power turned off	Turn power on
	Mains socket faulty	Use another socket
	Extension cable damaged	Inspect cable, replace if damaged
	Fuse faulty / blown	Replace fuse
Garden tool functions intermittently	Extension cable damaged	Inspect cable, replace if damaged
	Internal wiring of garden tool defective	Contact Bosch customer service agent
Garden product labours	Grass too high	Cut in stages
Garden tool does not cut	Cutting line too short/broken off	Manually feed cutting line
	Spool empty	Replace line spool
Cutting line can no longer be fed	Line inside the spool entangled	Inspect the spool, rewind if necessary
	Spool empty	Refill line spool
Line retracts into spool	Cutting line too short/broken off	Remove spool – rethread line (see figures H – J)
Line breaks frequently	Line inside the spool entangled	Remove spool – rewind line (see figures H – J)
	Trimmer used incorrectly	Only trim with the tip of the line, avoid stones, walls and other hard objects. Feed the line regularly to maintain full cutting diameter.
Heavy vibrations	Cutting line broken	Pull out cutting line with manual feed (see figure K)
	Cutting system damaged	Contact Bosch customer service agent
	Grass between spool housing and line-feed button	Disassemble spool cover and remove grass
	Grass in hole for line feed	Remove grass from hole for line feed

Maintenance and Service

After-Sales Service and Application Service

Our after-sales service responds to your questions concerning maintenance and repair of your product as well as spare parts. You can find explosion drawings and information on spare parts at: www.bosch-pt.com

The Bosch product use advice team will be happy to help you with any questions about our products and their accessories.

In all correspondence and spare parts orders, please always include the 10-digit article number given on the nameplate of the product.

Great Britain

Robert Bosch Ltd. (B.S.C.)

P.O. Box 98

Broadwater Park

North Orbital Road

Denham Uxbridge

UB 9 5HJ

At www.bosch-pt.co.uk you can order spare parts or arrange the collection of a product in need of servicing or repair.

Tel. Service: (0344) 7360109

E-Mail: boschservicecentre@bosch.com

You can find further service addresses at:

www.bosch-pt.com/serviceaddresses

Disposal

The product, accessories and packaging should be sorted for environmental-friendly recycling..



Do not dispose of products into household waste!

Only for EU countries:

According to the European Directive 2012/19/EU on Waste Electrical and Electronic Equipment and its implementation into national law, power tools that are no longer usable must be collected separately and disposed of in an environmentally friendly manner.

If disposed incorrectly, waste electrical and electronic equipment may have harmful effects on the environment and human health, due to the potential presence of hazardous substances.

Only for United Kingdom:

According to The Waste Electrical and Electronic Equipment Regulations 2013 (SI 2013/3113) (as amended), products that are no longer usable must be collected separately and disposed of in an environmentally friendly manner.

افحص المجال الذي تريد استخدام جهاز الحديقة فيه جيداً للتأكد من عدم وجود الحيوانات المتوحشة والمنزلية فيه. وجود احتمال جرح الحيوانات المتوحشة والمنزلية أثناء تشغيل الجهاز. افحص مجال استخدام الجهاز جيداً وقم بإزالة جميع الأحجار وعيدان الخشب والأسلاك والعظام والأجسام الغريبة. عند استخدام الجهاز، تأكد من عدم وجود الحيوانات المتوحشة والمنزلية وجذوع الأشجار الصغيرة في العشب الكثيف.



الإرشادات العامة للأمان بالعدد الكهربائية

- ▶ اطع على كافة تحذيرات الأمان والتعليمات والصور والمواصفات المرفقة بالعدة الكهربائية. عدم اتباع التعليمات الواردة أدناه قد يؤدي إلى حدوث صدمة كهربائية، إلى نشوب حريق و/أو الإصابة بجروح خطيرة.
- ▶ احتفظ بجميع الملاحظات التحذيرية والتعليمات للمستقبل.
- ▶ يقصد بمصطلح «العدة الكهربائية» المستخدم في الملاحظات التحذيرية، العدد الكهربائي الموصولة بالشبكة الكهربائية (بواسطة كابل الشبكة الكهربائية) وأيضاً العدد الكهربائي المزودة بمركم (دون كابل الشبكة الكهربائية).

الأمان بمكان الشغل

- ▶ حافظ على نظافة مكان شغلك وإضاءته بشكل جيد. الفوضى في مكان الشغل ونطاقات العمل غير المضاءة قد تؤدي إلى وقوع الحوادث.
- ▶ لا تشتغل بالعدة الكهربائية في نطاق معرض لخطر الانفجار مثل الأماكن التي تتوفر فيه السوائل أو الغازات أو الأبخرة القابلة للاشتعال. العدد الكهربائي تولد شرراً قد يتطاير، فيشعل الأبخرة والأبفرة.
- ▶ حافظ على بقاء الأطفال وغيرهم من الأشخاص بعيداً عندما تستعمل العدة الكهربائية. تشتيت الانتباه قد يتسبب في فقدان السيطرة على الجهاز.

الأمان الكهربائي

- ▶ يجب أن يتلائم قابس العدة الكهربائية مع المقبس. لا يجوز تغيير القابس بأي حال من الأحوال. لا تستعمل القوابس المهيأة مع العدد الكهربائية المؤرصة (ذات طرف أرضي). تخفّص القوابس التي لم يتم تغييرها والمقابس الملائمة من خطر الصدمات الكهربائية.
- ▶ تجنب ملامسة جسمك للأسطح المؤرصة كالأنابيب والمبردات والمواقد أو التلجّات. يزداد خطر الصدمات الكهربائية عندما يكون جسمك مؤرض أو موصل بالأرضي.
- ▶ أبعد العدة الكهربائية عن الأمطار أو الرطوبة. يزداد خطر الصدمات الكهربائية إن تسرب الماء إلى داخل العدة الكهربائية.
- ▶ لا تسئ استعمال الكابل. لا تستخدم الكابل في حمل العدة الكهربائية أو سحبها أو سحب القابص من المقبس. احرص على إبعاد

عربي

ملاحظات الأمان

▶ تنبيه! اقرأ التعليمات التالية بإمعان. تمّرّس على استخدام عناصر الاستخدام وعلى الاستعمال المخصص للجهاز. يرجى الاحتفاظ بتعليمات التشغيل هذه بمكان آمن للرجوع إليها في المستقبل.

شرح الرموز على جهاز الحديقة

ملاحظة خطر عامة.



اقرأ تعليمات التشغيل هذه.



احرص على عدم إصابة الأشخاص المتواجدين بالجوار بسبب الأجسام الخارجية المتطايرة.



تحذير: حافظ على مسافة آمنة تبعدك عن الجهاز عند التشغيل.



اطفئ مشدبة العشب واسحب قابس الشبكة الكهربائية من المقبس قبل ضبط أو تنظيف



الجهاز، أو إن تشابه الكبل أو إن كنت ستترك مشدبة العشب دون مراقبة حتى لو كان ذلك لوقت قصير فقط. حافظ على إبعاد الكبل الكهربائي عن خيط القص.

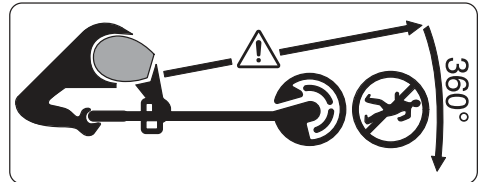
غير صحيح.



ارتد واقية سمع ونظارات واقية.



لا تستعمل الجهاز أثناء هطول الأمطار ولا تعرضه للمطر.



احرص على عدم إصابة الأشخاص المتواجدين بالجوار بسبب الأجسام الخارجية المتطايرة. تحذير: حافظ على إبقاء الأشخاص على بعد آمن عن جهاز الحديقة إن كانوا واقفين على مقربة منه.

حسن معاملة واستخدام العدد الكهربائي

- ◀ لا تفرط بتحميل الجهاز. استخدم لتنفيد أشغالك العدد الكهربائي المخصصة لذلك. إنك تعمل بشكل أفضل وأكثر أماناً بواسطة العدد الكهربائي الملائمة في مجال الأداء المذكور.
- ◀ لا تستخدم العدد الكهربائي إن كان مفتاح تشغيلها تالف. العدد الكهربائي التي لم يعد من الممكن التحكم بها عن طريق مفتاح التشغيل والإطفاء تعتبر خطيرة ويجب أن يتم إصلاحها.
- ◀ اسحب القابس من المقبس و/أو اخلع المرمك، إذا كان قابلاً للخلع، قبل ضبط الجهاز وقبل استبدال الملحقات أو قبل تخزين الجهاز. تمنع هذه الإجراءات وقائية تشغيل العدد الكهربائي بشكل غير مقصود.

- ◀ احتفظ بالعدد الكهربائي التي لا يتم استخدامها بعيداً عن متناول الأطفال. لا تسمح باستخدام العدد الكهربائي لمن لا خبرة له بها أو لمن لم يقرأ تلك التعليمات. العدد الكهربائي خطيرة إن تم استخدامها من قبل أشخاص دون خبرة.

- ◀ اعتن بالعدد الكهربائي والملحقات بشكل جيد. تأكد أن أجزاء الجهاز المتحركة مركبة بشكل سليم وغير مستعصية عن الحركة، وتفحص ما إن كانت هناك أجزاء مكسورة أو في حالة تؤثر على سلامة أداء العدد الكهربائي. ينبغي إصلاح هذه الأجزاء التالفة قبل إعادة تشغيل الجهاز. الكثير من الحوادث مصدرها العدد الكهربائي التي تتم صيانتها بشكل رديء.

- ◀ احرص على إبقاء عدد القطع نظيفة وحادة. إن عدد القطع ذات حواف القطع المادة التي تم صيانتها بعناية تتكلم بشكل أقل ويمكن توجيهها بشكل أيسر.

- ◀ استخدم العدد الكهربائي والتوابع وربش الشغل إلخ. وفقاً لهذه التعليمات. تراعى أثناء ذلك ظروف الشغل والعمل المراد تنفيذه. استخدام العدد الكهربائي لغير الأشغال المخصصة لأجلها قد يؤدي إلى حدوث الحوادث الخطيرة.

- ◀ احرص على إبقاء المقابض وأسطح المسك جافة ونظيفة وخالية من الزيوت والشحوم. المقابض وأسطح المسك الزلقة لا تتبع التشغيل والتحكم الآمن في العدد في المواقف غير المتوقعة.

الخدمة

- ◀ احرص على إصلاح عدتك الكهربائي فقط بواسطة العمال المتخصصين وباستعمال قطع الغيار الأصلية فقط. يضمن ذلك المحافظة على أمان الجهاز.

التشغيل

- ◀ يجوز أن يتم تشغيل الجهاز من قبل المستخدم فقط طبقاً للاستعمال المخصص. ينبغي مراعاة ظروف مكان التشغيل. انتبه إلى الأشخاص الآخرين ولا سيما الأطفال أثناء أداء العمل.

الكابل عن الحرارة والزيت والحواف الحادة أو الأجزاء المتحركة. تزيد الكابلات التالفة أو المشابكة من خطر الصدمات الكهربائية.

- ◀ عند استخدام العدد الكهربائي خارج المنزل اقتصر على استخدام كابلات التمديد الصالحة للاستعمال الخارجي. يقلل استعمال كابل تمديد مخصص للاستعمال الخارجي من خطر الصدمات الكهربائية.

- ◀ إن لم يكن بالإمكان تجنب تشغيل العدد الكهربائي في الأجواء الرطبة، فاستخدم مفتاح للوقاية من التيار المتخلف. إن استخدام مفتاح للوقاية من التيار المتخلف يقلل خطر الصدمات الكهربائية.

أمان الأشخاص

- ◀ كن يقظاً وانتبه إلى ما تفعله واستخدم العدد الكهربائي بتعقل. لا تستخدم عدة كهربائية عندما تكون متعباً أو عندما تكون تحت تأثير المخدرات أو الكحول أو الأدوية. عدم الانتباه للحظة واحدة عند استخدام العدد الكهربائي قد يؤدي إلى إصابات خطيرة.
- ◀ قم لارتداء تجهيزات الحماية الشخصية. وارتد دائماً نظارات واقية. يحد ارتداء تجهيزات الحماية الشخصية، كقناع الوقاية من الغبار وأحذية الأمان الواقية من الانزلاق والخوذ أو واقية الأذنين، حسب ظروف استعمال العدد الكهربائي، من خطر الإصابة بجروح.

- ◀ تجنب التشغيل بشكل غير مقصود. تأكد من كون العدد الكهربائي مطفأة قبل توصيلها بالتيار الكهربائي و/أو بالمرمك، وقبل رفعها أو حملها. إن كنت تضع إصبعك على المفتاح أثناء حمل العدد الكهربائي أو إن وصلت الجهاز بالشبكة الكهربائية بينما لمفتاح على وضع التشغيل، قد يؤدي إلى وقوع الحوادث.

- ◀ انزع أداة الضبط أو مفتاح الربط قبل تشغيل العدد الكهربائي. قد تؤدي الأداة أو المفتاح المتواجد في جزء دوار من الجهاز إلى الإصابة بجروح.

- ◀ تجنب أوضاع الجسم غير الطبيعية. قف بأمان وحافظ على توازنك دائماً. سيسمح لك ذلك بالتحكم في الجهاز بشكل أفضل في المواقف الغير متوقعة.

- ◀ قم بارتداء ثياب مناسبة. لا ترتد الثياب الفضفاضة أو الحللى. احرص على إبقاء الشعر والملابس بعيداً عن الأجزاء المتحركة. قد تتشابك الثياب الفضفاضة والحلى والشعر الطويل بالأجزاء المتحركة.

- ◀ إن جاز تركيب تجهيزات شفط وتجميع الغبار، فتأكد من أنها موصولة وبأنه يتم استخدامها بشكل سليم. قد يقلل استخدام تجهيزات لشفط الغبار من المخاطر الناتجة عن الغبار.

- ◀ لا تستخدم العدد الكهربائي بلا مبالاة وتتجاهل قواعد الأمان الخاصة بها نتيجة لتعودك على استخدام العدد الكهربائي وكثرة استخدامها. فقد يتسبب الاستخدام دون حرص في حدوث إصابة بالغة تحدث في أجزاء من الثانية.

- اطفئ جهاز الحديقة واسحب قابس الشبكة الكهربائية من المقبس:
- دائماً إن كنت ستترك جهاز الحديقة لبعض الوقت بلا مراقبة
- قبل استبدال الليفة
- إن كان الكبل قد تشابك
- قبل التنظيف أو إن كانت هناك أعمال ستتم على مشدبة العشب
- قبل تخزين المشدبة
- ◀ احتفظ بالجهاز بمكان جاف ومغلق وبعيدا عن منازل الأطفال. لا تترك أية أغراض أخرى على الجهاز.

الأمان الكهربائي

اطفئ جهاز الحديقة واسحب قابس الشبكة الكهربائية قبل تشغيل زر التغذية اليدوية بالخيوط. ينبغي تشغيل هذا الزر فقط في حالة تشابك خيط القصب.

تنبيه! اطفئ الجهاز قبل إجراء أعمال الصيانة والتنظيف واسحب قابس الشبكة الكهربائية. يطبق ذلك أيضا في حال تلف أو قص أو التلف كبل الشبكة الكهربائية.



لسلامتك الشخصية تم عزل الجهاز وهو لا يحتاج إلى تأريض. يبلغ جهد التشغيل 230 فولط تيار متناوب، 50 هرتز (لغير دول الاتحاد الأوروبي أيضا 220 فولط أو 240 فولط). استخدم كبلات التمديد المسموحة والمرخصة فقط. يعثر على المزيد من المعلومات لدى مركز الوكالة لخدمة الزبائن.

لزيادة الأمان استخدم مفتاح لوقاية من التيار المتخلف (RCD) مناسب لتيار متخلف حتى 30 ميلي أمبير كحد أقصى. ينبغي أن يُفحص مفتاح لوقاية هذا قبيل كل استعمال.

حافظ على إبعاد كبل الشبكة الكهربائية وكبل التمديد عن الأجزاء المتحركة وتجنب أي تلف بالكبلات لكي تتجنب التلامس مع الأجزاء المكهربة. ينبغي أن تكون وصلات الكبلات (كبل الشبكة الكهربائية والمقابس) جافة ولا يجب أن تكون موصوعة على الأرض.

يجب أن يتم فحص كبلات الشبكة الكهربائية وكبلات التمديد بشكل منتظم على ظهور علامات التلف ويجوز استخدامها فقط إن كانت بحالة سليمة. إن تلف كابل الشبكة الكهربائية بالجهاز، فلا يجوز أن يتم تصليحه إلا من قبل مركز خدمة وكالة شركة بوش. اقتصر على استخدام كابلات التطويل المسموح بها.

استخدم فقط كوابل التمديد والكوابل والخطوط وبكرات الكابل من النوع H05RN-F أو H05VV-F والتي توافق المقياس EN 61242/IEC 61242 أو IEC 60884-2-7.


إن أردت أن تستخدم كابل تمديد لتشغيل الجهاز، فيطلب المحافظة على أقطار النواقل التالية:

- قطر الناقل 1,25 مم² أو 1,5 مم²
- الطول الأقصى 30 م لكابلات التمديد أو 60 م لمفاتيح الكابلات مع مفتاح وقاية من التيار المتخلف

- ◀ لا تسمح للأطفال أو للأشخاص ذوي المقدرات الجسدية أو الحسية أو العقلية المحدودة أو القليلي الخبرة و/أو المدعومي المعرفة و/أو للأشخاص الغير مطلعين على التعليمات هذه أبدا أن يستعملوا جهاز الحديقة. يجوز أن تمد الأحكام الوطنية من سن المستخدم.
- ◀ ينبغي مراقبة الأطفال لضمان عدم لعبهم بالجهاز.

الاستخدام

- ◀ **امسك جهاز الحديقة أثناء العمل بواسطة كلتا اليدين واحرص على الوقوف بثبات.** يتم توجيه جهاز الحديقة بواسطة اليدين اللتين بأمان أكبر.
- ◀ انتظر ليتوقف جهاز الحديقة عن الحركة قبل أن تتركه.
- ◀ لا تشغل جهاز الحديقة أبداً إذا كان غطاء الوقاية أو الأغصية الأخرى تالفة أو بدون تجهيزات الأمان. انتبه لتركيبتها الصحيح. لا تستخدم جهاز الحديقة أبداً إذا كان غير كاملاً أو إذا تمت التغييرات غير المسموحة عليه.
- ◀ لا تقوم بتشغيل الجهاز إن كان الكبل تالف أو مستهلك.
- ◀ لا تستبدل أبداً عناصر القصب غير المعدنية بعناصر قصب معدنية.
- ◀ لا تقوم بأعمال التصليح على جهاز الحديقة بنفسك إلا إذا كنت مؤهل لهذا النوع من الأعمال.
- ◀ عند استخدام الجهاز يجب ان يبقى الأشخاص الآخرين والحيوانات على بعد مناسب عنه. المستخدم مسؤول عن الأطراف الثالثة في مجال العمل.
- ◀ انتظر إلى أن يتوقف رأس القصب عن الحركة بشكل كامل قبل أن تلمسه. يتابع رأس القصب دورانه بعد الإطفاء وقد يؤدي إلى حدوث الإصابات.
- ◀ اشغل أثناء ضوء النهار فقط أو بالإضاءة الاصطناعية الجيدة.
- ◀ لا تشغل بواسطة مشدبة العشب إن كانت ظروف الطقس رديئة ولا سيما عند بدء العواصف.
- ◀ استخدام مشدبة العشب للعشب الرطب قد يؤثر على قدرة عمل المشدبة.
- ◀ عند النقل اطفئ جهاز الحديقة واسحب قابس الشبكة.
- ◀ عند العمل بالمشدبة تأكد دائماً من مكان وقوفك الأمين. احتفظ بيديك وقدميك على بعد أمين من الأجزاء الدوارة.
- ◀ انتبه الا تتعثر على جهاز الحديقة عندما تضعه على الأرض.
- ◀ اسحب قابس الشبكة الكهربائية قبل استبدال الليفة.
- ◀ افحص وصن المشدبة بشكل منتظم.
- ◀ ارتد قفازات واقية دائماً عند تنظيف الجهاز وعند استبدال خيط القصب.
- ◀ احذر من الإصابة بالجروح من السكينة التي يتم قطع الخيط بها. اقل المشدبة بعد الملئ/التغذية بخيط القصب دائماً إلى وضع العمل الأفقي قبل أن تقوم بتشغيلها.

الرمز	المعنى
	التوابع/قطع الغيار

الاستعمال المخصص

تم تصميم جهاز الحديقة للاستخدام المنزلي لتشذيب العشب والمشيش والقصاص. تم تطويره لتشذيب العشب الموجود على المنحدرات وتحت المواجه وفي الحافات، أي الأماكن التي لا يمكن الوصول إليها بماكينة المش. لم يتم تصميم جهاز الحديقة للاستخدام باعتباره محشة آلية. لم يُصنع جهاز الحديقة للاستخدام التجاري أو الصناعي.

نطاق التوريد (راجع الصورة B)

أُخرج جهاز الحديقة من التغليف بحذر وافحص إن كانت القطع التالية كاملة:

- مشدبة العشب
 - غطاء الوقاية
 - تعليمات التشغيل
- يرجى الاتصال بالتاجر إن كانت بعض القطع غير موجودة أو تالفة.

الأجزاء المصورة (راجع الصورة A)

يستند ترقيم الأجزاء المصورة إلى رسوم الجهاز الموجودة في صفحات الرسوم التخطيطية.

- (1) مقبض يدوي قابل للضبط
- (2) قفل تشغيل مفتاح التشغيل والإطفاء
- (3) مفتاح التشغيل والإطفاء
- (4) قابس الشبكة الكهربائية^a
- (5) فك إقفال ضبط المقبض اليدوي
- (6) غطاء الوقاية
- (7) تأمين النقل
- (8) خطاف الكابل
- (9) غطاء الليفة
- (10) الليفة
- (11) فتحة إدخال الخيط
- (12) فتحة توجيه الخيط
- (13) زر إطلاق التغذية بالخيط

(a) لا يتضمن إطار التوريد الاعتيادي التوابع المصورة أو المشروحة. تجد التوابع الكاملة في برنامجنا للتوابع.

ملحوظة: إن تم استخدام كابل تمديد، توجب أن يمتاز - كما تم وصفه بتعليمات الأمان - بناقل وقائي يتم وصله عبر القابس بالناقل الوقائي بشبكتك الكهربائية للتأريض.

يفضل أن تستشير كهربائي متخصص أو مركز صيانة بوش في حال الشك.

اجتهد! إن كبلات التمديد المخالفة للأحكام قد تكون خطيرة. يجب أن تكون كبلات التمديد والقوابس والقارنات من النوعية المعزولة ضد الماء والمخصصة للاستعمال الخارجي.



ملحوظة خاصة بالمنتجات التي لا تباع في بريطانيا: **تنبيه:** يطلب للمحافظة على أمانك أن يتم وصل القابس المركب على الجهاز بكابل التمديد. يجب أن تكون قارنات كابل التطويل محمية من رذاذ الماء، فإما أن تكون مصنوعة من المطاط أو تكون مغطاة بالمطاط. يجب استخدام كابل التطويل مع تجهيزة إعتاق ضد الشد.

الرموز

قد تكون الرموز التالية ذات أهمية من أجل قراءة وفهم تعليمات التشغيل. يرجى حفظ الرموز ومعناها. يساعدك تفسير الرموز بشكل صحيح على استعمال الجهاز بطريقة أفضل وأكثر أماناً.

الرمز	المعنى
	اتجاه المركبة
	جهة رد الفعل
	ارتد قفازات واقية
	الوزن
	التشغيل
	الإطفاء
	تصرف مسموح
	عمل ممنوع
CLICK	الصوت المسموع

البيانات الفنية

EasyGrassCut 26	EasyGrassCut 23	مشدبة العشب
3 600 HC1 J..	3 600 HC1 H..	رقم الصنف
280	280	قدرة الدخل الاسمية
12500	12500	عدد الدوران اللحظي
1,6	1,6	قطر خيط القص

EasyGrassCut 26	EasyGrassCut 23	سم	مشدبة العشب
26	23	سم	قطر دائرة القص
4,0	4,0	متر	سعة لفيفة الخيط
2,0	2,0	كغ	الوزن حسب EPTA- Procedure 01:2014
II/□	II/□		فئة الوقاية
راجع لافتة الطراز على جهاز الحديقة			الرقم المتسلسل

تسري البيانات على جهد اسمي [A] يبلغ 230 فولت. قد تختلف تلك البيانات حسب اختلاف الجهد والطرازات الخاصة بكل دولة.

إن كان قد تم تركيب غطاء الوقاية، فلا يجوز أن يتم فكه بعد ذلك.

ثم اسمب قوس وقاية النباتات إلى وضع العمل.

التشغيل

◀ يُراعى جهد الشبكة الكهربائية! يجب أن يتوافق جهد منبع التيار مع المعلومات المذكورة على لافتة طراز الجهاز.

◀ تنبيه: اطفئْ جهاز الحديقة وفك قابس الشبكة الكهربائية قبل تنفيذ أعمال الضبط والتنظيف.

◀ يتابع خيط القص دورانه لعدة ثوان بعد إطفاء مشدبة العشب. انتظر إلى أن يتوقف المحرك/ خيط القص عن الحركة، قبل إعادة تشغيل مشدبة العشب.

◀ لا تقوم بعمليات التشغيل والإطفاء عدة مرات بلحظات قليلة.

◀ ننصح باستخدام عناصر القص المرخصة من قبل شركة بوش. قد تختلف نتائج القص عند استخدام غيرها من عناصر القص.

التشغيل/الإطفاء (راجع الصورة G)

للتشغيل اضغط على قفل التشغيل أولاً (2). اضغط بعد ذلك على مفتاح التشغيل/الإطفاء (3) واحتفظ به مضغوطاً.

من أجل الإطفاء يطلق مفتاح التشغيل/الإطفاء (3).

فك اللفيفة، لف الخيط وتركيب اللفيفة (راجع الصور H إلى J)

◀ اسمب قابس الشبكة الكهربائية قبل استبدال اللفيفة.

اضغط القفلين الموجودة على غطاء اللفيفة باتجاه البعض وانزع غطاء اللفيفة (9). ثم انزع اللفيفة الفارغة (10).

قص 4 م تقريباً من الخيط عن لفيفة التعبئة. ادخل طرف واحد من الخيط في فتحة إدخال الخيط (11) الموجودة في اللفيفة ولف الخيط بشكل متساو ومشدود.

قم بتمرير الطرف الآخر للخيط بالفتحة (12) الموجودة في رأس المشدبة اعد وضع اللفيفة في رأس المشدبة. ثبت اللفيفة عن طريق تركيب غطاء اللفيفة.

إطلاق التغذية بالخيط (راجع الصورة K) إطلاق التغذية بالخيط بشكل شبه أوتوماتيكي

التركيب والتشغيل

الصفحة	الصورة	هدف العمل
24	A	الأجزاء المصورة
25	B	نطاق التوريد
25	C	إزالة تأمين النقل
26	D	تركيب الساق
26	E	ضبط المقبض اليدوي
27	F	تركيب غطاء الوقاية
28	G	وصل كابل التمديد التشغيل والإطفاء
28	H	فك لفيفة الخيط
29	I	لف الخيط على لفيفة الخيط
29	J	تركيب لفيفة الخيط
30	K	إطلاق التغذية بالخيط
30	L	الصيانة، التنظيف والتخزين
31	M	التوابع

التركيب

◀ تنبيه: اطفئْ جهاز الحديقة واسمب قابس الشبكة الكهربائية قبل البدء بأعمال التركيب.

تركيب الساق (راجع الصورتين C و D)

ملحوظة: لا يمكن فك الساق المركبة.

قم بإزالة تأمين النقل (7).

ركب أجزاء الساق المفردة بعضها البعض حتى تسمع صوت الإقفال.

تركيب وضبط المقبض اليدوي (راجع الصورة E)

يمكن ضبط المقبض اليدوي (1) في أوضاع مختلفة. لتغيير الضبط اضغط الأزرار (5) وحرك المقبض إلى الوضع المطلوب. اترك الأزرار (5) مرة أخرى حتى يقفل المقبض في مكانه.

تركيب غطاء الوقاية (راجع الصورة F)

قبل تركيب غطاء الوقاية، اسمب قوس وقاية النباتات من وضع التسليم وضعه في وضع التخزين. ضع غطاء الوقاية (6) على رأس المشدبة وثبته باللولب المتوفر معه والمسلم ضمن نطاق التسليم.

مشدبة العشب مجهزة بنظام تغذية شبه أوتوماتيكي. يخرج النظام من الخيط مع كل ضغط على مفتاح التشغيل/الإطفاء (3).

التغذية اليدوية بالخيط
اضغط على الزر (13) واسحب الخيط بالطول المطلوب.

البحث عن الأخطاء



الخطأ	السبب المحتمل	العلاج
المحرك لا يشتغل	لا يوجد جهد كهربائي	افحصه وشغله
	مقيس الشبكة الكهربائية تالف	استخدم مقيس آخر
	كبل التمديد تالف	افحص الكبل واستبدله إن كان تالف
	تم إطلاق المنصهر	استبدل المنصهر
جهاز الحديقة يعمل بشكل متقطع	كبل التمديد تالف	افحص الكبل واستبدله إن كان تالف
	تلف بالكبلات الداخلية بجهاز الحديقة	راجع مركز خدمة زبائن بوش
تم زيادة تحميل جهاز العشب أعلى من المسموح بالحديقة		قص على مراحل
جهاز الحديقة لا يقص	خيط القص قصير جدا/مقطع	قم بالتغذية بخيط القص يدوياً
	لفيفة الخيط فارغة	استبدال لفيقة الخيط
لا تمكن التغذية بخيط القص	لقد تشابك خيط القص باللفيفة	افحص لفيقة الخيط، لف خيط القص حولها مرة أخرى عند الضرورة
	لفيفة الخيط فارغة	اعد تعبئة لفيقة الخيط
يتم إعادة سحب خيط القص إلى اللفيقة	خيط القص قصير جدا/مقطع	انزع اللفيقة وادخل خيط القص من جديد (راجع الصور J - H)
خيط القص ينقطع كثيراً	لقد تشابك خيط القص باللفيفة	انزع اللفيقة ولف خيط القص من جديد (راجع الصور J - H)
	تم استخدام مشدبة العشب بطريقة غير صحيحة	قم بالتشذيب بقمة خيط القص فقط، تجنب ملامسة الحجارة والجدران وغيرها من الأغراض الصلبة. قم بتغذية خيط القص بشكل منتظم من أجل استغلال كامل قطر دائرة القص.
اهتزازات شديدة	خيط القص مقطع	اخرج خيط القص مع وحدة التغذية اليدوية (راجع الصورة K)
	نظام القص تالف	راجع مركز خدمة زبائن بوش
	وجود العشب بين غلاف اللفيقة وزر إطلاق التغذية بالخيط	فك غطاء اللفيقة وقم بإزالة العشب
	وجود العشب في فتحة توجيه الخيط	قم بإزالة العشب من فتحة توجيه الخيط

يلزم ذكر رقم الصنف ذو الخانات العشر وفقاً للوحة صنع المنتج عند إرسال أية استفسارات أو طلبيات قطع غيار.

المغرب

Robert Bosch Morocco SARL
53، شارع الملازم محمد محرو
20300 الدار البيضاء
الهاتف: 21 5 29 31 43 27
البريد الإلكتروني: sav.outillage@ma.bosch.com

تجد المزيد من عناوين الخدمة تمت:

www.bosch-pt.com/serviceaddresses

الصيانة والخدمة

خدمة العملاء واستشارات الاستخدام

يجب مركز خدمة العملاء على الأسئلة المتعلقة بإصلاح المنتج وصيانته، بالإضافة لقطع الغيار. تجد الرسوم التفصيلية والمعلومات الخاصة بقطع الغيار في الموقع: www.bosch-pt.com
يسر فريق Bosch لاستشارات الاستخدام مساعدتك إذا كان لديك أي استفسارات بخصوص منتجاتنا وملحقاتها.

التخلص من العدة الكهربائية

يجب التخلص من الأجهزة والتوابع والتغليف بطريقة منصفة بالبيئة عن طريق النفايات القابلة لإعادة التصنيع.

لا تقم برمي الأجهزة والمنتجات الأخرى في النفايات المنزلية!



فقط لدول الاتحاد الأوروبي:

حسب التوجيه الأوروبي 2012/19/EU بصدد الأجهزة الكهربائية والإلكترونية القديمة وتطبيقه ضمن القانون المحلي، ينبغي جمع العدة الكهربائية التي لم تعد صالحة للاستعمال بشكل منفصل، وتسليمها لمركز يقوم بإعادة استغلالها بطريقة محافظة على البيئة.

قد يتسبب التخلص غير السليم من الأجهزة الكهربائية والإلكترونية القديمة في آثار ضارة على البيئة وصحة الإنسان نتيجة لاحتمالية وجود مواد خطرة فيها.

فارسی

دستورات ایمنی

◀ **توجه!** همه دستورات ایمنی را به دقت بخوانید. خود را با قسمتهای کاربری و نحوه استفاده از ابزار باغبانی آشنا کنید. لطفاً دفترچه راهنما را برای آینده خوب نگهداری کنید.

توضیح علائم روی ابزار باغبانی

هشدارهای عمومی.



دفترچه ی راهنما را تا انتها بخوانید.



دقت کنید که افراد نزدیک شما یا اجسام به هوا پرت شده زخمی نشوند.



هشدار: هنگام کار ابزار با باغبانی، فاصله ایمنی را رعایت کنید.



قبل از انجام تنظیمات دستگاه، تمیز کردن، موقع گیر کردن، پاره شدن یا آسیب دیدن



کابل دستگاه و یا حتی قرار دادن اره چمن زن بدون نظارت برای مدت کوتاه، آن را خاموش کنید و دوشاخه را از پریز درآورید. **کابل برق را از قسمتهای برنده دور نگهدارید.**

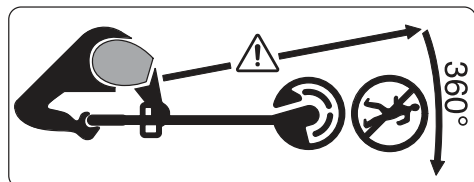
مربوط نمی شود.



از عینک و گوشی ایمنی استفاده کنید.



ابزار باغبانی را در برابر باران حفظ کنید یا زیر باران رها نکنید.



دقت کنید که افراد نزدیک شما یا اجسام به هوا پرت شده زخمی نشوند. هشدار: هنگام کار ابزار با باغبانی، فاصله ایمنی را رعایت کنید.

محیط کار ابزار باغبانی را از لحاظ وجود حیوانات وحشی و اهلی به دقت کنترل کنید. حیوانات وحشی و اهلی ممکن است هنگام کار با دستگاه زخمی شوند. محیط کار دستگاه را خوب کنترل و آن را از نظر وجود سنگ، تکه چوب، استخوان و سایر اجسام خارجی خالی کنید. دقت کنید که هنگام کار با دستگاه، هیچ حیوان وحشی یا اهلی یا ساقه درخت در علف انبوه پنهان نباشد.



نکات ایمنی عمومی برای ابزارهای برقی

◀ **کلیه هشدارها، دستورالعملها، تصاویر و مشخصات ارائه شده به همراه ابزار برقی را مطالعه کنید.** اشتباهات ناشی از عدم رعایت این دستورات ایمنی ممکن است باعث برق گرفتگی، سوختگی و یا سایر جراحات های شدید شود.

◀ **کلیه هشدارهای ایمنی و راهنمایها را برای آینده خوب نگهداری کنید.**

◀ عبارت «ابزار برقی» در هشدارها به ابزارهایی که به پریز برق متصل میشوند (با سیم برق) و یا ابزارهای برقی باتری دار (بدون سیم برق) اشاره دارد.

ایمنی محل کار

◀ **محیط کار را تمیز و روشن نگه دارید.** محیطهای در هم ریخته یا تاریک احتمال بروز حادثه را افزایش میدهند.

◀ **ابزار برقی را در محیطهایی که خطر انفجار وجود دارد و حاوی مایعات، گازها و بخارهای محترقه هستند، به کار نگیرید.** ابزارهای برقی جرقههایی ایجاد میکنند که میتوانند باعث آتش گرفتن گرد و غبارهای موجود در هوا شوند.

◀ **هنگام کار با ابزار برقی، کودکان و سایر افراد را از دستگاه دور نگه دارید.** در صورتیکه حواس شما پرت شود، ممکن است کنترل دستگاه از دست شما خارج شود.

ایمنی الکتریکی

◀ **دوشاخه ابزار برقی باید با پریز برق تناسب داشته باشد.** هیچگونه تغییری در دوشاخه ایجاد نکنید. **مبدل دوشاخه نباید همراه با ابزار برقی دارای اتصال زمین استفاده شود.** دوشاخههای اصل و تغییر داده نشده و پریزهای مناسب، خطر برق گرفتگی را کاهش میدهند.

◀ **از تماس بدنی با قطعات متصل به سیم اتصال زمین مانند لوله، شوفاژ، اجاق برقی و یخچال خودداری کنید.** در صورت تماس بدنی با سطوح و قطعات دارای اتصال به زمین و همچنین تماس شما با زمین، خطر برق گرفتگی افزایش می یابد.

◀ **ابزارهای برقی را در معرض باران و رطوبت قرار ندهید.** نفوذ آب به ابزار برقی، خطر شوک الکتریکی را افزایش میدهد.

◀ **از سیم دستگاه برای مقاصد دیگر استفاده نکنید.** هرگز برای حمل ابزار برقی، کشیدن آن یا خارج کردن دوشاخه از سیم دستگاه

که این وسائل درست نصب و استفاده می شوند. استفاده از وسائل مکش گرد و غبار مصونیت شما را در برابر گرد و غبار زیادتر میکند.

◀ **آشنایی با ابزار به دلیل کار کردن زیاد با آن** نباید باعث سهل انگاری شما و نادیده گرفتن اصول ایمنی شود. بی دقتی ممکن است باعث بروز جراحاتی در عرض کسری از ثانیه شود.

استفاده صحیح از ابزار برقی و مراقبت از آن

◀ **از وارد کردن فشار زیاد روی دستگاه خودداری کنید.** برای هر کاری، از ابزار برقی مناسب با آن استفاده کنید. بکار گرفتن ابزار برقی مناسب باعث میشود که بتوانید از توان دستگاه بهتر و با اطمینان بیشتر استفاده کنید.

◀ **در صورت ایراد در کلید قطع و وصل ابزار برقی، از دستگاه استفاده نکنید.** ابزار برقی که نمی توان آنها را قطع و وصل کرد، خطرناک بوده و باید تعمیر شوند.

◀ **قبل از تنظیم ابزار برقی، تعویض متعلقات و یا کنار گذاشتن آن، دوشاخه را از برق بکشید و یا باتری آنرا خارج کنید.** رعایت این اقدامات پیشگیری ایمنی از راه افتادن ناخواسته ابزار برقی جلوگیری می کند.

◀ **ابزار برقی را در صورت عدم استفاده، از دسترس کودکان دور نگه دارید و اجازه ندهید که افراد ناوارد و یا اشخاصی که این دفترچه راهنما را نخوانده اند، با این دستگاه کار کنند.** قرار گرفتن ابزار برقی در دست افراد ناوارد و بی تجربه خطرناک است.

◀ **از ابزار برقی و متعلقات خوب مراقبت کنید.** مواظب باشید که قسمت های متحرک دستگاه خوب کار کرده و گیر نکنند. همچنین دقت کنید که قطعات ابزار برقی شکسته و یا آسیب دیده نباشند. قطعات آسیب دیده را قبل از شروع به کار تعمیر کنید. علت بسیاری از سوانح کاری، عدم مراقبت کامل از ابزارهای برقی می باشد.

◀ **ابزار برش را تیز و تمیز نگه دارید.** ابزار برشی که خوب مراقبت شده و از لبه های تیز برخوردار است، کمتر در قطعه کار گیر کرده و بهتر قابل هدایت است.

◀ **ابزار برقی، متعلقات، متهای دستگاه و غیره را مطابق دستورات این جزوه راهنما به کار گیرید و به شرایط کاری و نوع کار نیز توجه داشته باشید.** استفاده از ابزار برقی برای عملیاتی به جز مقاصد در نظر گرفته شده، میتواند به بروز شرایط خطرناک منجر شود.

◀ **دستها و سطوح عایق را همواره خشک، تمیز و عاری از روغن و گریس نگه دارید.** دسته های لغزنده مانع ایمنی و کنترل در کار در شرایط غیر منتظره هستند.

سرویس

◀ **برای تعمیر ابزار برقی فقط به متخصصین حرفهای رجوع کنید و از قطعات یدکی اصل**

استفاده نکنید. کابل دستگاه را از حرارت، روغن، لبههای تیز یا قطعات متحرک دور نگه دارید. کابلهای آسیب دیده و یا گره خورده خطر شوک الکتریکی را افزایش میدهند.

◀ **هنگام استفاده از ابزار برقی در محیطهای باز، تنها از کابل رابطی استفاده کنید که برای محیط باز نیز مناسب باشد.** کابل های رابط مناسب برای محیط باز، خطر برق گرفتگی را کم می کنند.

◀ **در صورت لزوم کار با ابزار برقی در محیط و اماکن مرطوب، باید از یک کلید حفاظتی جریان خطا و نشستی زمین (کلید قطع کننده اتصال با زمین) استفاده کنید.** استفاده از کلید حفاظتی جریان خطا و نشستی زمین خطر برق گرفتگی را کاهش می دهد.

رعایت ایمنی اشخاص

◀ **حواس خود را خوب جمع کنید، به کار خود دقت کنید و با فکر و هوشیاری کامل با ابزار برقی کار کنید.** در صورت خستگی و یا در صورتی که مواد مخدر، الکل و دارو استفاده کرده اید، با ابزار برقی کار نکنید. یک لحظه بی توجهی هنگام کار با ابزار برقی، میتواند جراحات های شدیدی به همراه داشته باشد.

◀ **از تجهیزات ایمنی شخصی استفاده کنید.** همواره از عینک ایمنی استفاده نمایید. استفاده از تجهیزات ایمنی مانند ماسک ضد گرد و غبار، کفشهای ایمنی ضد لغزش، کلاه ایمنی و گوشی محافظ متناسب با نوع کار با ابزار برقی، خطر مجروح شدن را کاهش میدهد.

◀ **مواظب باشید که ابزار برقی بطور ناخواسته بکار نیفتد.** قبل از وارد کردن دوشاخه دستگاه در پریز برق، اتصال آن به باتری، برداشتن آن و یا حمل دستگاه، باید دقت کنید که ابزار برقی خاموش باشد. در صورتی که هنگام حمل دستگاه انگشت شما روی دکمه قطع و وصل باشد و یا دستگاه را در حالت روشن به برق بزنید، ممکن است سوانح کاری پیش آید.

◀ **قبل از روشن کردن ابزار برقی، همه ابزارهای تنظیم کننده و آپارها را از روی دستگاه بردارید.** ابزار و آپارهایی که روی بخش های چرخنده دستگاه قرار دارند، میتوانند باعث ایجاد جراحات شوند.

◀ **وضعیت بدن شما باید در حالت عادی قرار داشته باشد.** برای کار جای مطمئنی برای خود انتخاب کرده و تعادل خود را همواره حفظ کنید. به این ترتیب میتوانید ابزار برقی را در وضعیتهای غیر منتظره بهتر تحت کنترل داشته باشید.

◀ **لباس مناسب بپوشید.** از پوشیدن لباسهای گشاد و حمل زینت آلات خودداری کنید. موها و لباس خود را از بخشهای در حال چرخش دستگاه دور نگه دارید. لباسهای گشاد، موی بلند و زینت آلات ممکن است در قسمتهای در حال چرخش دستگاه گیر کنند.

◀ **در صورتی که تجهیزاتی برای اتصال وسائل مکش گرد و غبار و یا وسیله جمع کننده گرد و غبار ارائه شده است، باید مطمئن شوید**

استفاده نمایید. این باعث خواهد شد که ایمنی دستگاه شما تضمین گردد.

کاربری

- کاربر باید از محصول مطابق مقررات استفاده کند. به وضعیت محل کار توجه کنید. هنگام کار کاملاً به اشخاص توجه کنید، بخصوص کودکان.
- هرگز به کودکان و سایر افراد دارای کاستیهای روحی و جسمی یا بدون تجربه یا آشنایی یا به اشخاص بدون اطلاع از روش کاربری اجازه استفاده از ابزار باغبانی را ندهید. مقررات مربوط به هر کشور می توانند سن کاربر را محدود کنند.
- کودکان باید زیر نظر باشند تا اطمینان حاصل شود که آنها با محصول بازی نمی کنند.

کاربرد

- ابزار باغبانی را هنگام کار با هر دو دست محکم بگیرید و جایگاه مطمئنی برای خود انتخاب کنید.** ابزار باغبانی با دو دست مطمئن تر هدایت می شود.
- قبل از کنار گذاشتن ابزار باغبانی، صبر کنید تا دستگاه به ایست کامل برسد.
- هرگز ابزار باغبانی را با یک قاب محافظ یا درپوش خراب یا بدون تجهیزات ایمنی بکار نبرید. دقت کنید که این موارد، صحیح نصب شده باشند. هرگز دستگاه را بطور ناکامل یا با تغییرات غیر مجاز بکار نبرید.
- دستگاه را در صورت آسیب دیدگی یا فرسودگی کابل بکار نبرید.
- هرگز ابزارهای بُرش غیر فلزی را با ابزار برش فلزی تعویض نکنید.
- هرگز ابزار باغبانی را سر خود تعمیر نکنید، مگر اینکه در این رابطه تخصص دارید.
- هنگام کاربری ابزار باغبانی بایستی سایر افراد و حیوانات دور بمانند. کاربر نسبت به فرد سوم در محدوده کاری مسؤول است.
- قبل از تماس با تیغه، بگذارید به طور کامل بایستد. سر تیغه پس از خاموش شدن موتور برای مدتی در حرکت می ماند و می تواند باعث ایجاد جراحات شود.
- فقط در روز روشن یا زیر نور مناسب چراغ کار کنید.
- در صورت بد بودن هوا بخصوص هنگام رعد و برق با چمن زن کار نکنید.
- کاربرد چمن زن در چمن ثر ممکن است توان آن را مختل کند.
- ابزار باغبانی را قبل از حمل و نقل خاموش کنید و دوشاخه آنرا از شبکه برق بیرون بکشید.
- همواره هنگام کار با چمن زن به وضعیت ایستادن مطمئن خود توجه کنید. دستان و پاهای خود را در فاصله مطمئنی از قسمتهای چرخنده نگهدارید.
- دقت کنید که در صورت قرار گرفتن ابزار باغبانی روی زمین از روی آن تلو نخورید.
- قبل از تعویض قرقره، دوشاخه را بکشید.
- چمن زن را منظم کنترل و سرویس کنید.

- هنگام تمیز کردن محصول یا تعویض نخ برش، دستکش ایمنی بپوشید.
- هنگام کار با تیغه ای که برای قطع نخ برش است، احتیاط کنید. چمن زن را پس از پر کردن با نخ، همواره قبل از روشن کردن در وضعیت افقی قرار دهید.
- ابزار باغبانی را خاموش کنید و دوشاخه آنرا از پریز بیرون بکشید:
- هر وقت ابزار باغبانی را مدتی بدون نظارت می گذارید
- قبل از تعویض قرقره
- در صورت کلافه شدن کابل
- قبل از تمیز کاری یا هنگام کار روی چمن زن
- قبل از نگهداری چمن زن در انبار
- محصول را در یک جای خشک، بسته و دور از دسترس کودکان نگهداری کنید. هیچ جسمی را روی محصول قرار ندهید.

ایمنی الکتریکی

قبل از فعال کردن دکمه برای پُر کردن دستی نخ، ابزار باغبانی را خاموش کنید و دوشاخه را بکشید. این دکمه را تنها بایستی در صورت در هم گزیدن نخ برش بکار برید.

توجه! محصول را قبل از سرویس یا تمیز کاری خاموش کنید و دوشاخه آنرا از شبکه برق بیرون بکشید. همین کار را در صورت پریدگی، آسیب دیدگی یا کلافه شدن کابل دستگاه انجام دهید.



محصول جهت ایمنی شما عایق است و نیاز به ارت ندارد. ولتاژ مورد نیاز برابر است با V AC, 230 (برای کشورهای غیر اتحادیه اروپا 220 V یا 240 V). تنها از کابل رابط مجاز استفاده کنید. اطلاعات مربوط را از نمایندگی مجاز بوش (خدمات پس از فروش) کسب کنید.

جهت افزایش ایمنی از یک کلید FI (RCD) با جریان خطای حداکثر 30 میلی آمپر استفاده شود. این کلید FI بایستی قبل از هر بار کار کنترل شود.


کابل برق یا کابل رابط را از تمام قسمتهای متحرک دور نگهدارید و از هر گونه آسیب دیدگی کابل جلوگیری کنید تا تماسی با قسمتهای حامل جریان برقرار نشود.

اتصالات کابل (پریز و دوشاخه) بایستی خشک باشند و روی زمین قرار نگیرند.

کابل برق و کابل رابط باید مرتب از لحاظ داشتن عیب و نقص کنترل و تنها در صورت بی عیب بودن بکار برده شود.

در صورت معیوب بودن کابل برق محصول باید آنرا فقط توسط تعمیرگاه های مجاز و خدمات پس از فروش ابزارآلات برقی تعمیر کرد. تنها از کابل رابط مجاز استفاده کنید.

تنها از کابل رابط، کابل، سیم ها و قرقره کلاسی استفاده کنید که با EN 61242/IEC 61242 یا IEC 60884-2-7 مطابقت دارند و از نوع H05VV-F یا H05RN-F هستند.

علامت	معنی
	متعلقات/قطععات یدکی

موارد استفاده از دستگاه

ابزار باغبانی برای کاربری خانگی و بُرش چمن، علف هرزه و گزنه در نظر گرفته شده است. این ابزار برای برش چمن رشد کرده در بیشه در جاهایی دارای مانع و گوشه که با دستگاه چمن زن قابل دسترسی نیست تولید شده است. این ابزار باغبانی برای کاربری به عنوان چمن زن موتوری در نظر گرفته شده است. این ابزار باغبانی برای کاربری تجاری و صنعتی در نظر گرفته نشده است.

محتویات ارسالی (رجوع شود به تصویر B)

ابزار باغبانی را با احتیاط از بسته بندی بیرون آورید و امتحان کنید آیا اجزای زیر کامل هستند:

- چمن زن
- قاب محافظ
- دفترچه راهنما

در صورت ناقص یا آسیب دیده بودن اجزای دستگاه به فروشنده مراجعه کنید.

جزء دستگاه (رجوع شود به تصویر A)

- شماره گذاری اجزای مصور، مربوط به تصویر محصول در صفحه ی تا شو می باشد.
- (1) دستگیره قابل تنظیم
 - (2) کلید ایمنی برای قفل کردن کلید قطع و وصل
 - (3) کلید قطع و وصل
 - (4) دو شاخه^a
 - (5) باز کردن قفل تنظیم دستگیره
 - (6) قاب محافظ
 - (7) قفل ایمنی حمل و نقل
 - (8) قلاب کابل
 - (9) سرپوش قرقره
 - (10) قرقره
 - (11) گیرنده نخ
 - (12) سوراخ برای نخ دهی
 - (13) سر برای نخ دهی

(a) کلیه متعلقاتی که در تصویر و یا در متن آمده است، بطور معمول همراه دستگاه ارائه نمیشود. لیست کامل متعلقات را در برنامه متعلقات ما می یابید.

چنانچه هنگام کار با محصول از یک کابل رابط استفاده می کنید، کابل های با قطر زیر لازم هستند:

- قطر 1,25 میلیمتر² یا 1,5 میلیمتر²

- بیشترین طول 30 متر برای کابل رابط یا 60 متر برای قرقره کابل دارای کلید حفاظت جریان خطا تذکر: در صورت استفاده از کابل رابط بایستی کابل همانطور که در دستورات ایمنی ذکر شد، دارای محافظ ارت باشد که از طریق دوشاخه به محافظ ارت سیستم الکتریکی شما متصل است.

در موارد مشکوک به یک متخصص برقی یا نمایندگی مجاز بوش در نزدیکی خود مراجعه کنید.

احتیاط: کابل رابط غیر استاندارد ممکن است خطر ساز باشد. کابل رابط، دوشاخه و مادگی بایستی ضد آب و مناسب با محیط بیرون باشند.



تذکر برای محصولاتی که در انگلیس فروخته نمی شوند:

توجه: برای ایمنی شما لازم است که دوشاخه روی محصول به کابل رابط وصل باشد. کوپل کابل رابط بایستی در برابر وریاش آب مصون باشد، لاستیکی و یا با لاستیک پوشیده شده باشد. کابل رابط بایستی با بست لاستیکی بکار برده شود.

علامت ها

علامتهای ذیل برای استفاده از چاروبرقی مهم می باشند. لطفا این علائم و معانی آنها را به خاطر بسپارید. فهم درست این علائم به شما جهت استفاده ی درست و ایمن از محصول کمک می کند.

علامت	معنی
	مسیر یا جهت حرکت
	مسیر یا جهت عکس العمل
	از دستکش ایمنی استفاده کنید
	وزن
	نحوه روشن کردن
	نحوه خاموش کردن
	کاربری مجاز
	عملکرد ممنوع و غیر مجاز
CLICK	سر و صدای قابل شنیدن

مشخصات فنی

EasyGrassCut 26	EasyGrassCut 23	چمن زن	
3 600 HC1 J..	3 600 HC1 H..		شماره فنی
280	280	W	قدرت ورودی نامی
12500	12500	min ⁻¹	سرعت در حالت آزاد
1.6	1.6	میلیمتر	قطر نخ برش
26	23	cm	قطر دایره برش
4.0	4.0	m	ظرفیت قرقره نخ
2.0	2.0	kg	وزن مطابق استاندارد EPTA-Procedure 01:2014
II/□	II/□		کلاس ایمنی
رجوع کنید به برچسب روی ابزار باغبانی		شماره فنی/شماره سری	

مقادیر برای ولتاژ نامی [U] 230 ولت میباشند. برای ولتاژهای مختلف و تولیدات مخصوص کشورها، ممکن است این مقادیر متفاوت باشند.

باز و تنظیم کردن دستگیره (رجوع شود به تصویر E)

دستگیره (1) را می توان در حالات مختلفی قرار داد. گیاهان از حالت حمل و نقل به حالت نگهداری در دستگیره را به حالت دلخواه برانید. دکمه های (5) را فشار دهید و برای تغییر تنظیمات، دکمه های (5) را برای جا افتادن دستگیره دوباره رها کنید.

نصب قاب محافظ (رجوع کنید به تصویر F)

پیش از نصب قاب محافظ، گیره را برای حفاظت گیاهان از حالت حمل و نقل به حالت نگهداری در انبار بکشید.

قاب محافظ (6) را روی سر چمن زن قرار دهید و آنها را با پیچ ارسالی محکم کنید.

در صورت نصب بودن قاب محافظ، نباید آن را باز کرد.

سپس گیره را جهت حفاظت گیاهان به حالت کاری بکشید.

کاربری

◀ به ولتاژ شبکه توجه کنید! ولتاژ منبع جریان برق باید با مقادیر موجود بر روی برچسب دستگاه مطابقت داشته باشد.

◀ توجه: قبل از انجام تنظیمات یا تمیز کاری روی ابزار باغبانی باتری را درآورید.

◀ پس از خاموش شدن اره چمن زن، نخ برش آن چند ثانیه در حرکت می ماند. قبل از روشن کردن دوباره چمن زن، صبر کنید تا موتور/نخ برش کاملاً بایستد.

◀ پشت سر هم به طور کوتاه و چندین بار خاموش و روشن نکنید.

◀ استفاده از قطعات برنده بوش توصیه می شود. در صورت استفاده از سایر قطعات برنده ممکن است نتیجه دلخواه بدست نیاید.

نحوه نصب و کاربرد

صفحه	تصویر	هدف عملکرد
24	A	اجزاء دستگاه
25	B	ممتویات ارسالی
25	C	باز کردن ایمنی حمل و نقل
26	D	جا زدن شفت
26	E	تنظیم کردن دسته
27	F	نصب کردن قاب محافظ
28	G	کابل اتصال را وصل کنید
		نحوه روشن و خاموش کردن
28	H	برداشتن قرقره ی نخ
29	I	نخ کردن قرقره
29	J	نصب قرقره ی نخ
30	K	پر کردن نخ
30	L	سرویس، تمیز کردن و نگهداری
31	M	متعلقات

نصب

◀ توجه: قبل از مونتاژ، ابزار باغبانی را خاموش کنید و دوشاخه آنرا از پریز بیرون بکشید.

جا زدن شفت (رجوع کنید به تصویر C und D)

تذکر: یک شفت جا انداخته شده را نمی توان باز کرد.

ایمنی حمل و نقل (7) را باز کنید.

قسمتهای شفت را به هم وصل کنید تا به طور محسوس جا بیافتند.

حدود 4,0 m نخ از کلاف نخ را ببرید. انتهای نخ را در گیرنده نخ (11) قرقره بگذارید و نخ را به طور یکسان بیچانید.

انتهای دیگر نخ را از میان سوراخ (12) در سر چمن زن برانید و قرقره را دوباره در سر چمن زن قرار دهید. قرقره را با گذاشتن سرپوش قرقره تثبیت کنید.

نخ دادن (رجوع کنید به تصویر K)

نخ دهی نیمه خودکار
چمن زن به یک سیستم نخ دهی نیمه اتوماتیک مجهز است. این سیستم با هر بار فشردن کلید قطع و وصل (3) نخ بیرون می دهد.

نخ دهی دستی

دکمه (13) را فشار دهید و نخ را به مقدار طول دلخواه بیرون بکشید.

خاموش و روشن کردن (رجوع کنید به تصویر G)

برای روشن کردن ابتدا قفل کلید (2) را فشار دهید. سپس کلید قطع و وصل (3) را فشار دهید و آن را فشرده نگه دارید.

برای خاموش کردن، کلید قطع و وصل (3) را رها کنید.

جدا کردن قرقره، جمع کردن نخ و نصب قرقره (رجوع کنید به تصویر J bis H)

قبل از تعویض قرقره، دوشاخه را بکشید.

هر دو نوار لاستیکی سرپوش قرقره را به هم فشار دهید و سرپوش قرقره (9) بردارید. سپس قرقره خالی (10) را بردارید.

جستجوی خطا



ایراد	دلیل ممکن	راهنمایی
موتور راه نمی افتد	دستگاه به برق وصل نیست	کنترل کنید و وصل کنید
	پریز برق خراب است	از پریز دیگر استفاده کنید
	کابل رابط آسیب دیده است	کابل را کنترل کنید و در صورت آسیب دیدگی تعویض کنید
	فیوز پریده است	فیوز را عوض کنید
ابزار باغبانی با توقف کار می کند	کابل رابط آسیب دیده است	کابل را کنترل کنید و در صورت آسیب دیدگی تعویض کنید
	اتصال درونی کابل‌های ابزار باغبانی معیوب است	به نمایندگی بوش مراجعه کنید
ابزار باغبانی زیر فشار است	چمن خیلی بلند است	پلکانی ببرید
ابزار باغبانی نمی برد	نخ برش خیلی کوتاه/پاره شده است	به طور دستی نخ بدهید
	قرقره خالی است	قرقره را عوض کنید
قرقره نخ نمی دهد	نخ برش در قرقره گیر کرده است	قرقره را کنترل و در صورت لزوم نخ برش را دور قرقره بیچانید
	قرقره خالی است	قرقره نخ را پر کنید
نخ برش در قرقره جمع می شود	نخ برش خیلی کوتاه/پاره شده است	قرقره را بردارید و نخ قرقره را دوباره بگذارید (رجوع کنید به تصویر J - H)
نخ برش مرتب پاره می شود	نخ برش در قرقره گیر کرده است	قرقره را بردارید و نخ قرقره را دوباره بیچانید (رجوع کنید به تصویر J - H)
	کاربری نادرست با چمن زن	تنها با نوک نخ برش ببرید؛ از تماس با سنگ، دیوار و سایر اجسام سفت خودداری کنید. نخ برش را مرتب پر کنید تا قطر کامل دایره برش حاصل گردد.
لرزش شدید/سر و صدا	نخ برش پاره شده است	نخ برش را به صورت دستی آزاد کنید (رجوع کنید به تصویر K)
	سیستم برش آسیب دیده است	به نمایندگی بوش مراجعه کنید
	بین بدنه قرقره و سر نخ دهی علف مانده است	

ایراد	دلیل ممکن	راهنمایی
	در سوراخ نخ دهی علف مانده است	سریوش قرقره را باز کنید و علف را بردارید
		علف را از سوراخ نخ دهی آزاد بردارید

مراقبت و سرویس

خدمات و مشاوره با مشتریان

خدمات مشتری، به سئوالات شما درباره تعمیرات، سرویس و همچنین قطعات یدکی پاسخ خواهد داد. نقشه‌های سه بعدی و اطلاعات مربوط به قطعات یدکی را در تارنمای زیر مییابید:

www.bosch-pt.com

گروه مشاوره به مشتریان Bosch با کمال میل به سئوالات شما درباره محصولات و متعلقات پاسخ می‌دهند.

برای هرگونه سؤال و یا سفارش قطعات یدکی، حتماً شماره فنی 10 رقمی کالا را مطابق برجسب روی ابزار برقی اطلاع دهید.

ایران

روبرت بوش ایران - شرکت بوش تجارت پارس
میدان ونک، خیابان شهید خدامی، خیابان آفتاب
ساختمان مادران، شماره 3، طبقه سوم.

تهران 1994834571

تلفن: 42039000+9821

آدرس سایر دفاتر خدماتی را در ادامه بیابید:

www.bosch-pt.com/serviceaddresses

از رده خارج کردن دستگاه

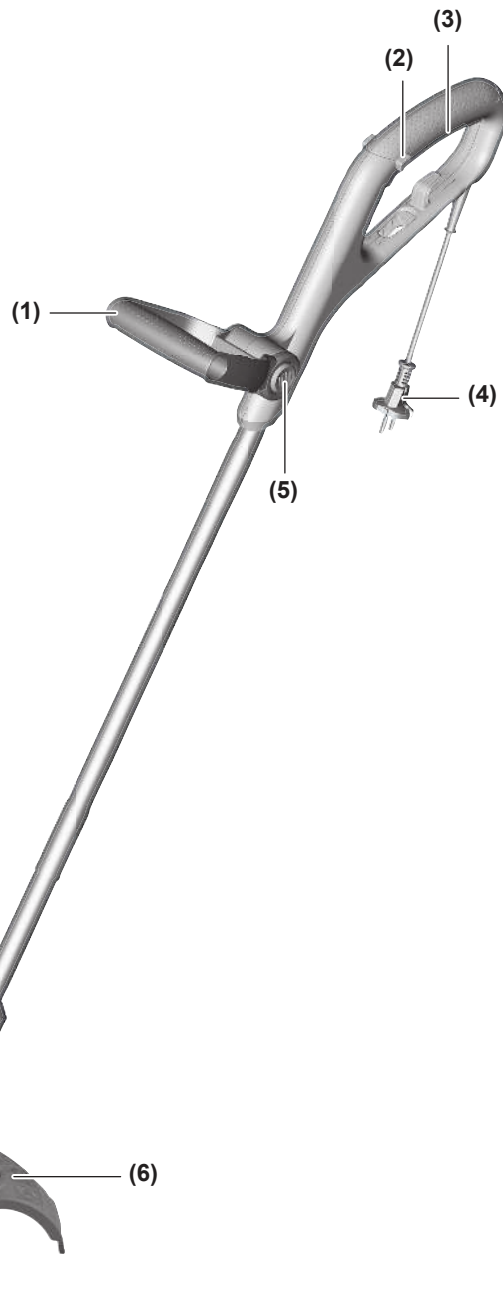
محصولات، متعلقات و بسته بندی آن، باید طبق مقررات حفظ محیط زیست از رده خارج و بازیافت شوند.

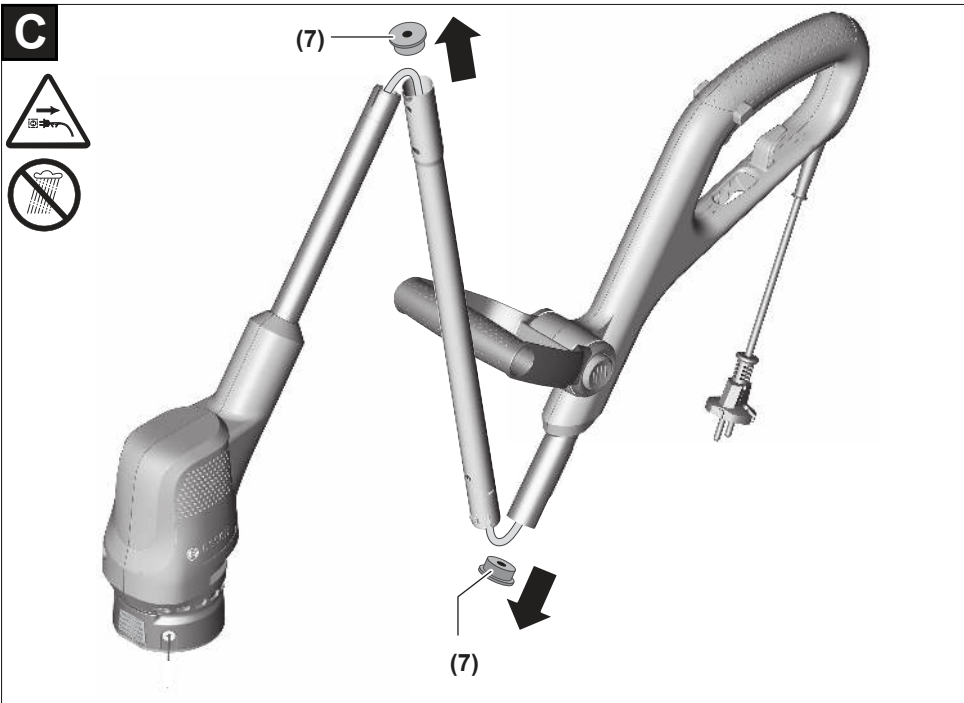
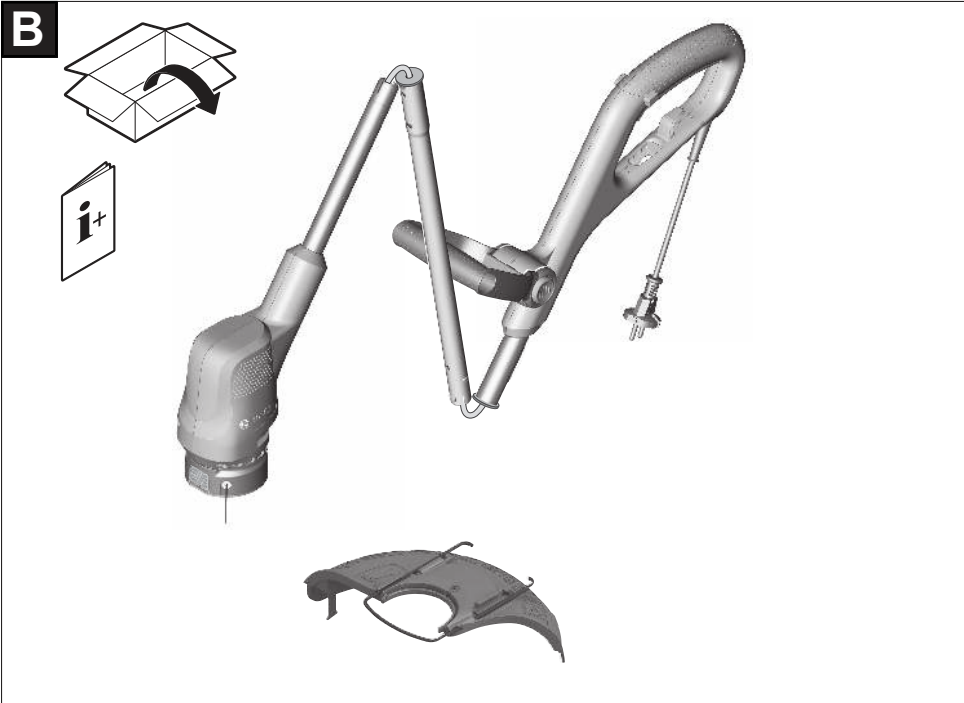
محصولات را داخل زباله دان خانگی نیاندازید!

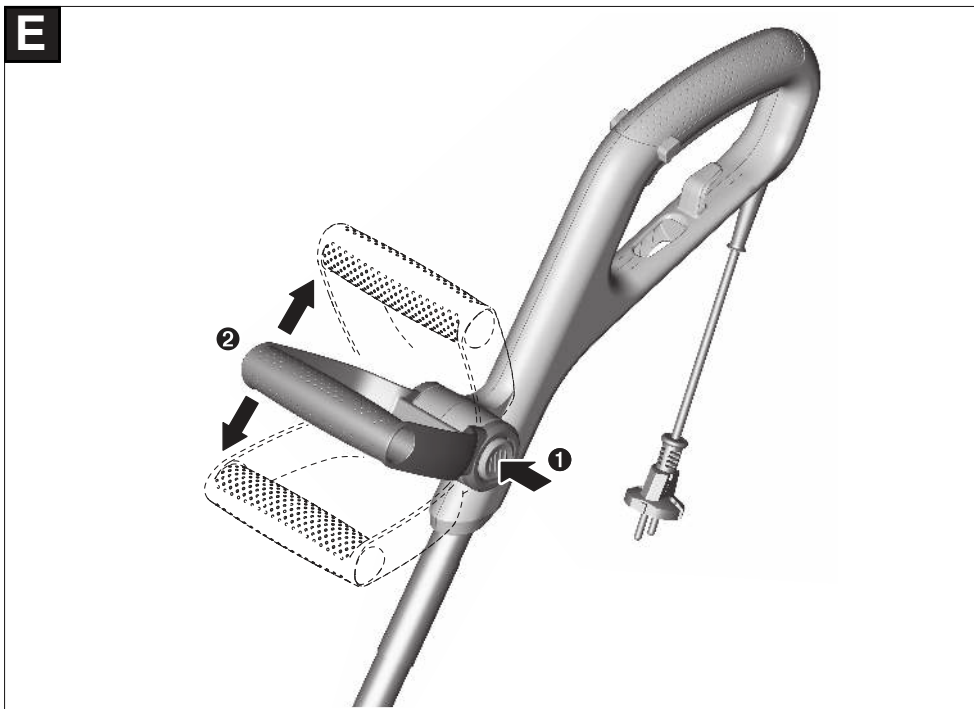
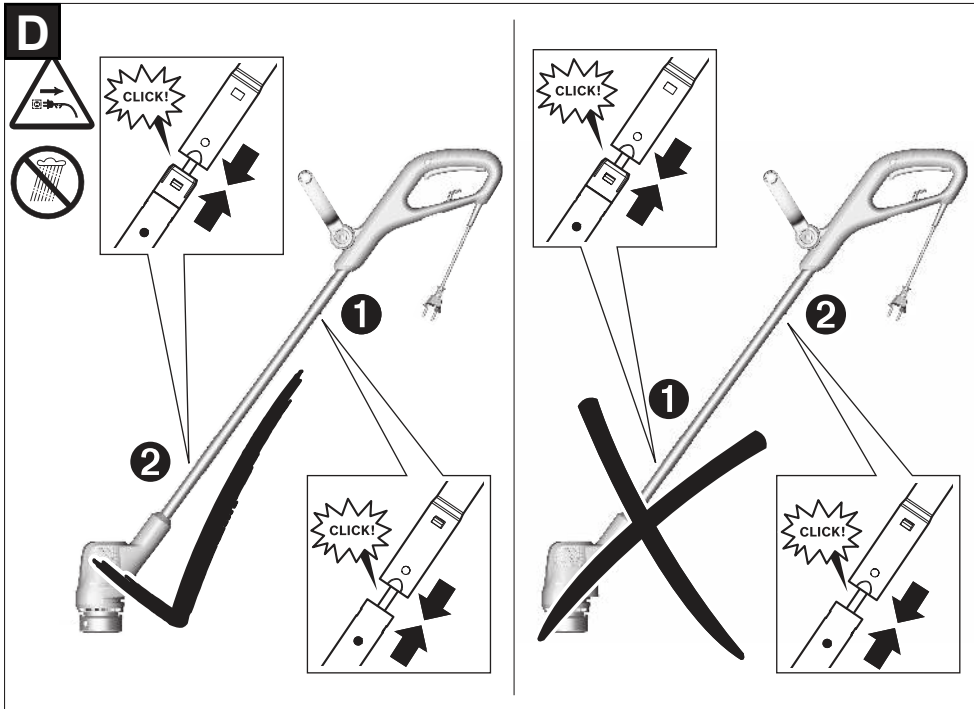


فقط برای کشورهای عضو اتحادیه اروپا:

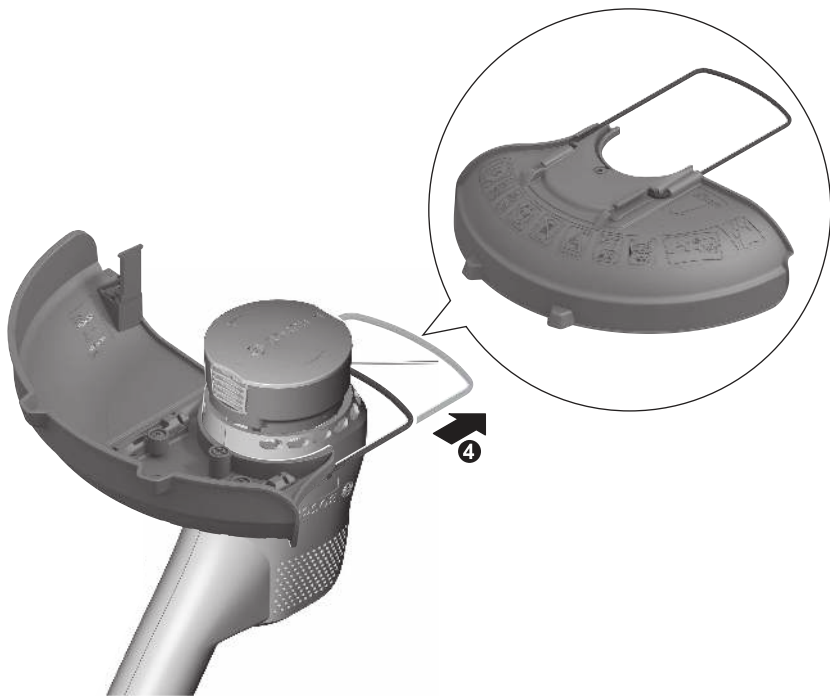
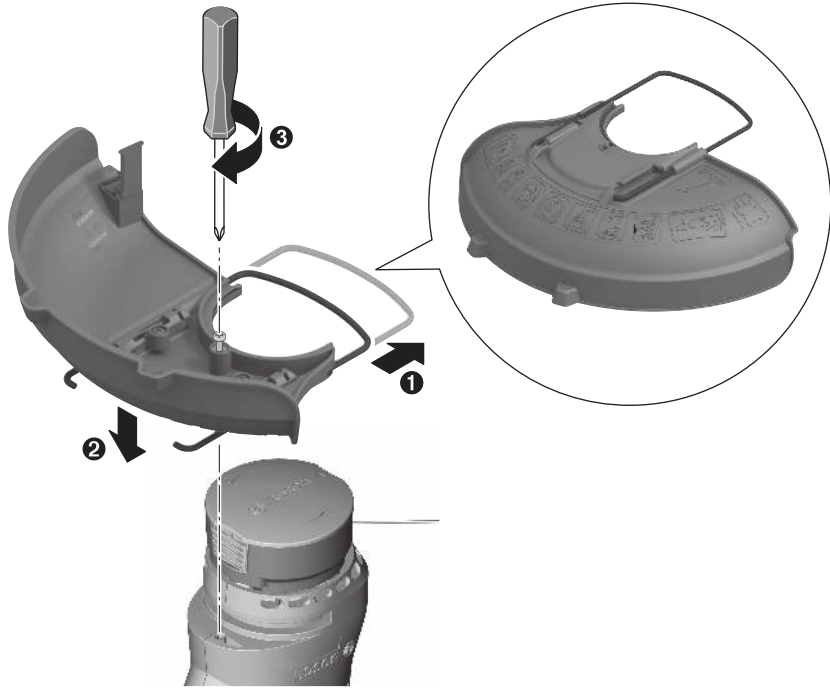
طبق آئین نامه و دستورالعمل اروپایی 2012/19/EU در باره دستگاههای کهنه الکتریکی و الکترونیکی و تبدیل آن به حق ملی، باید ابزارهای برقی غیرقابل استفاده را جداگانه جمع آوری کرد و نسبت به بازیافت مناسب با محیط زیست اقدام بعمل آورد. در صورت دفع نادرست ضایعات تجهیزات الکتریکی و الکترونیکی، به دلیل وجود احتمالی مواد خطرناک، اثرات مضر بر محیط زیست و سلامت انسان خواهند داشت.

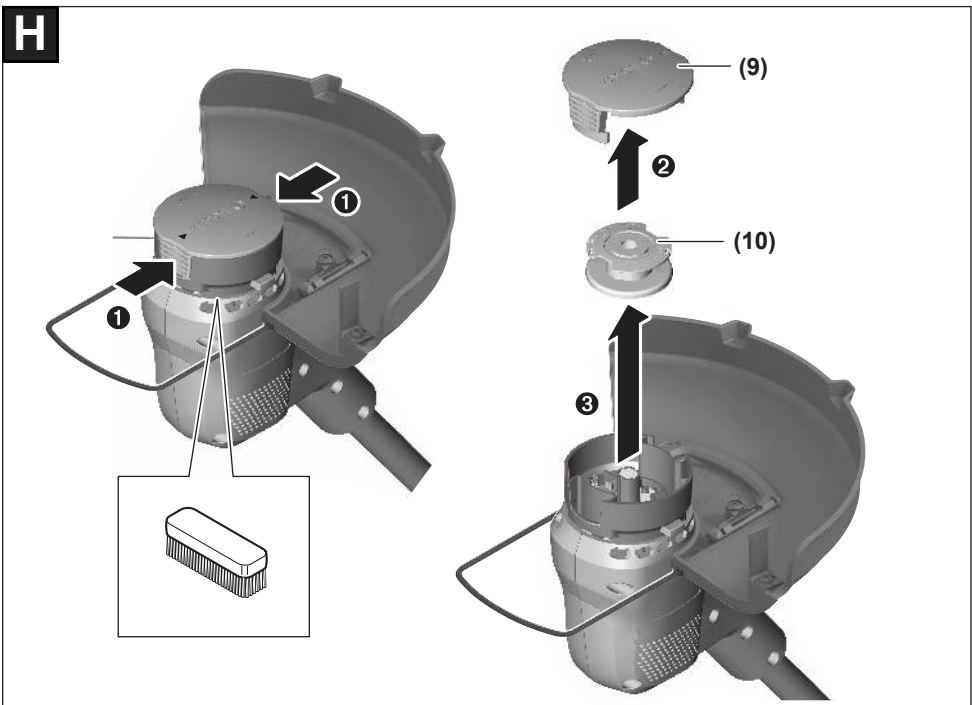
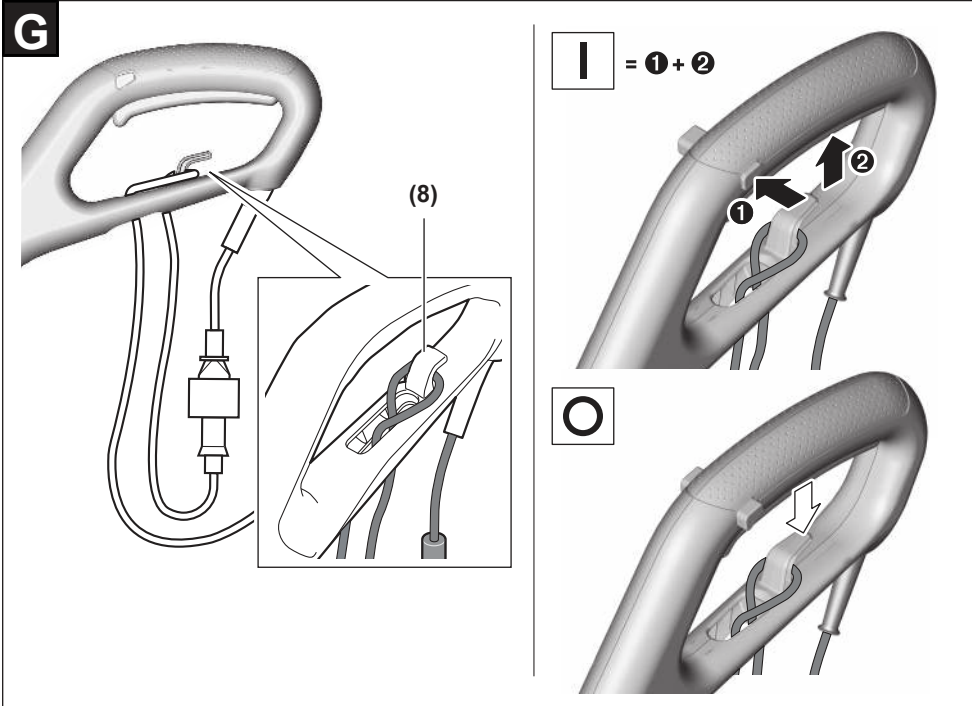
A

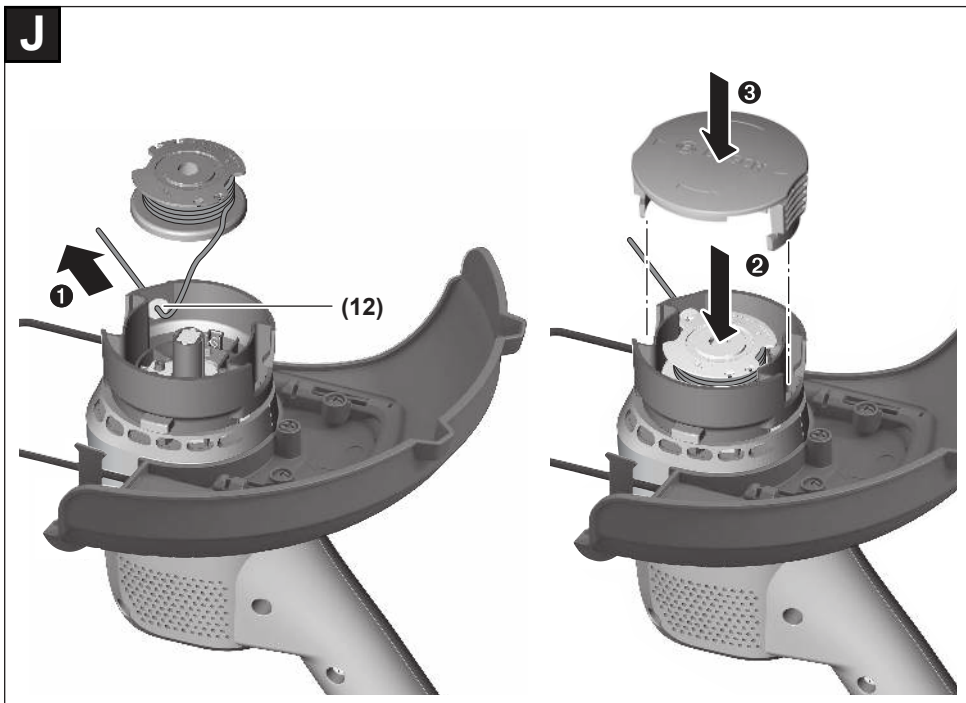
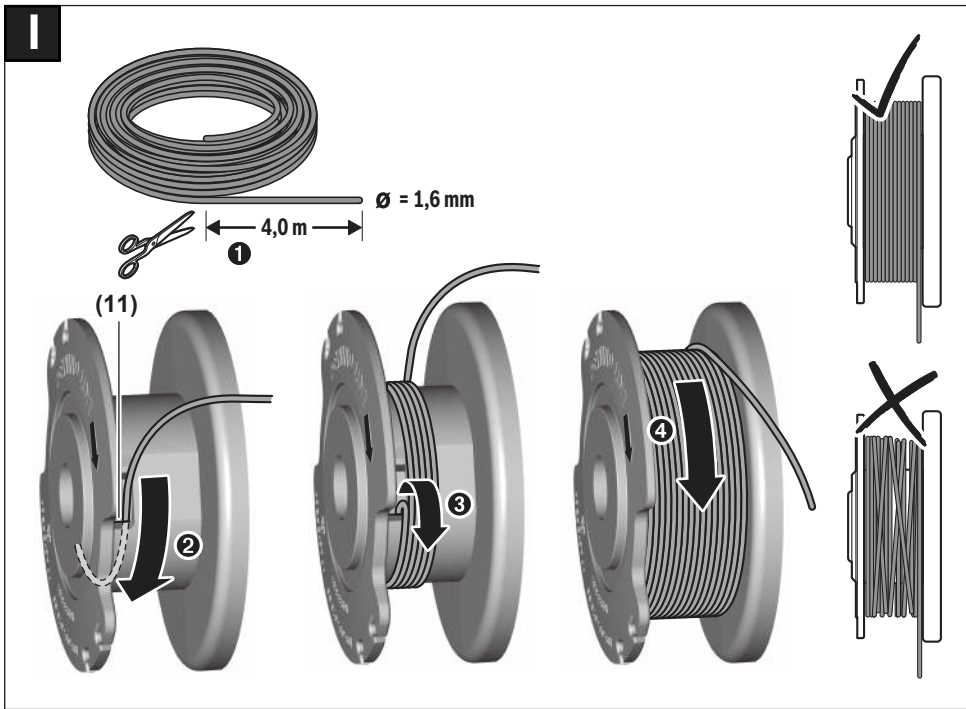


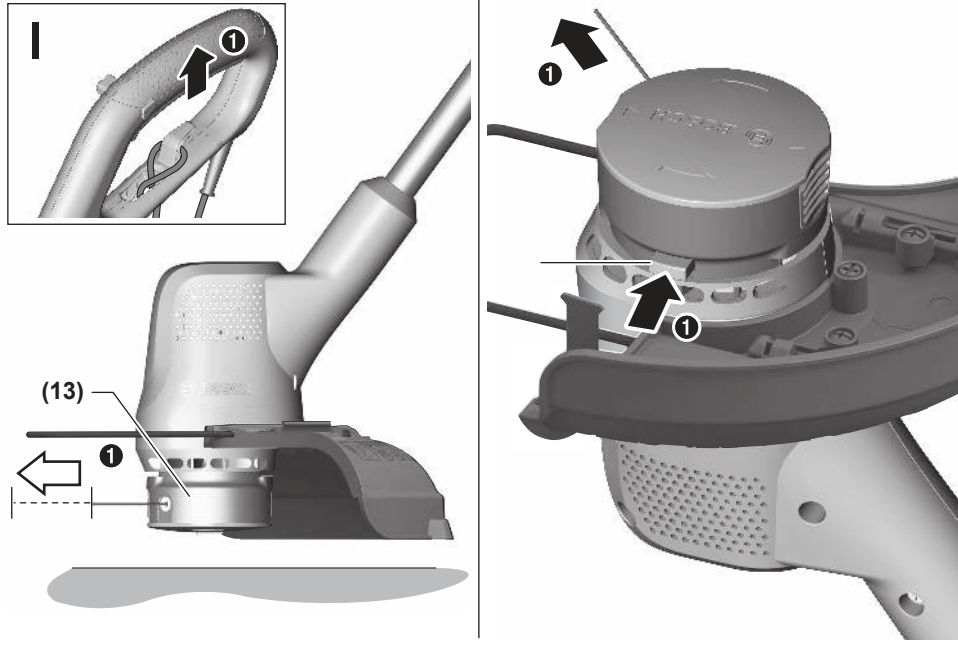
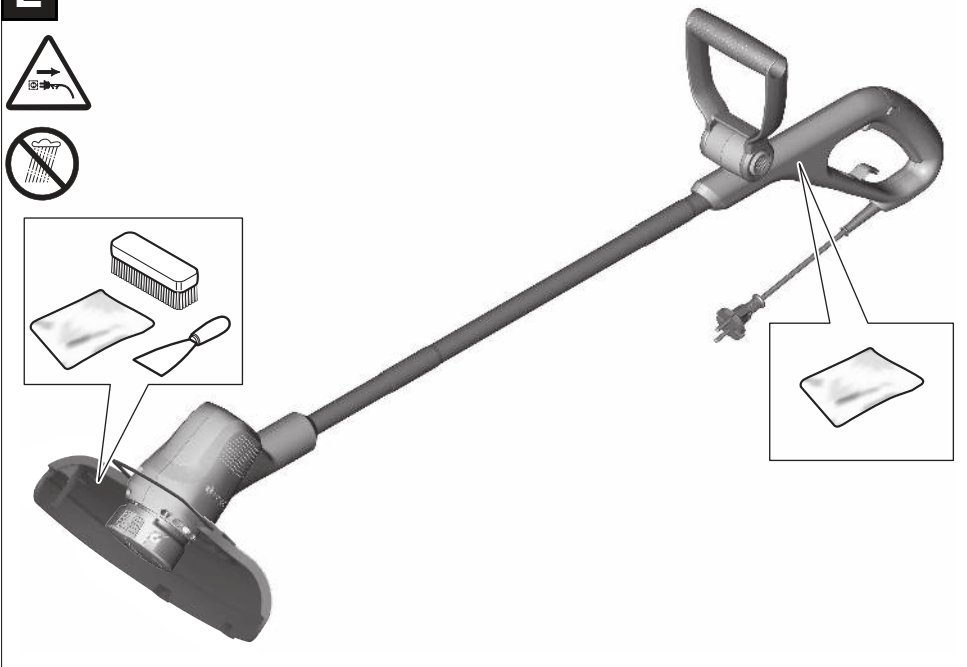


F







K**L**

M



F 016 800 462



F 016 800 569



F 016 800 292
F 016 800 314