



 **BOSCH**

GWG 10.8V-50 S Professional

**HEAVY
DUTY**



Robert Bosch Power Tools GmbH
70538 Stuttgart
GERMANY

www.bosch-pt.com

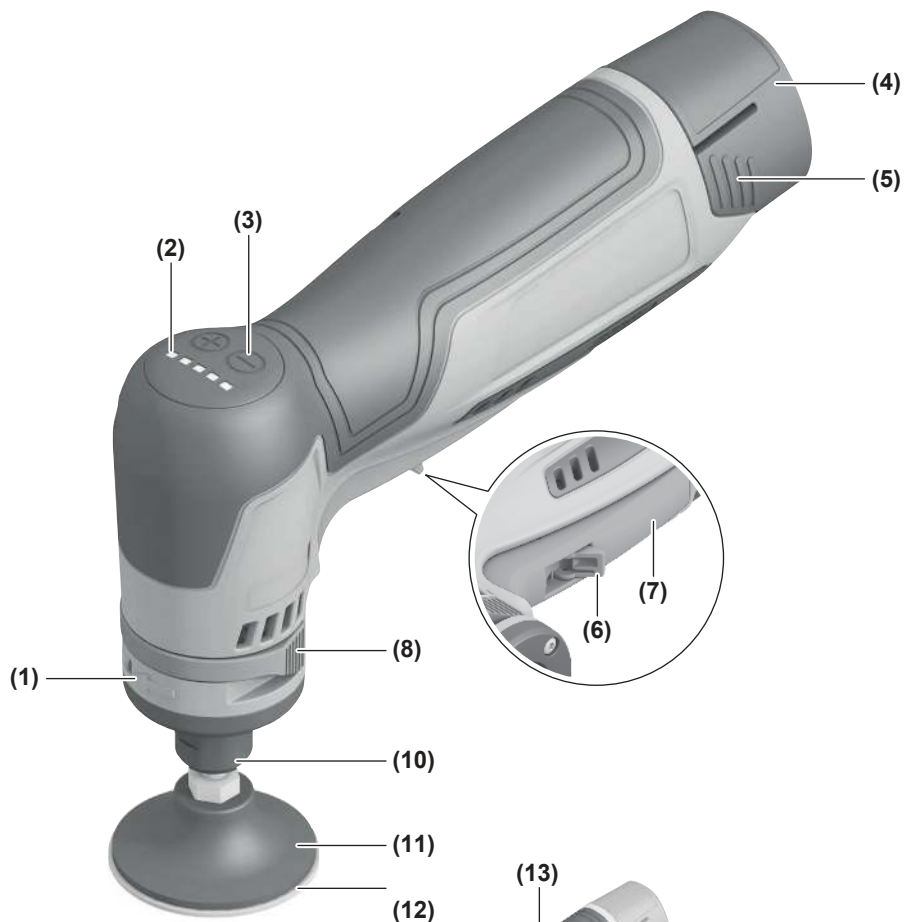
1 609 92A 8HC (2022.12) 0 / 21



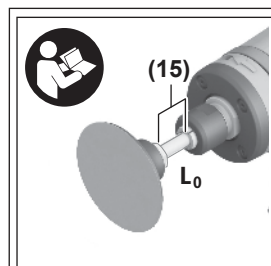
1 609 92A 8HC

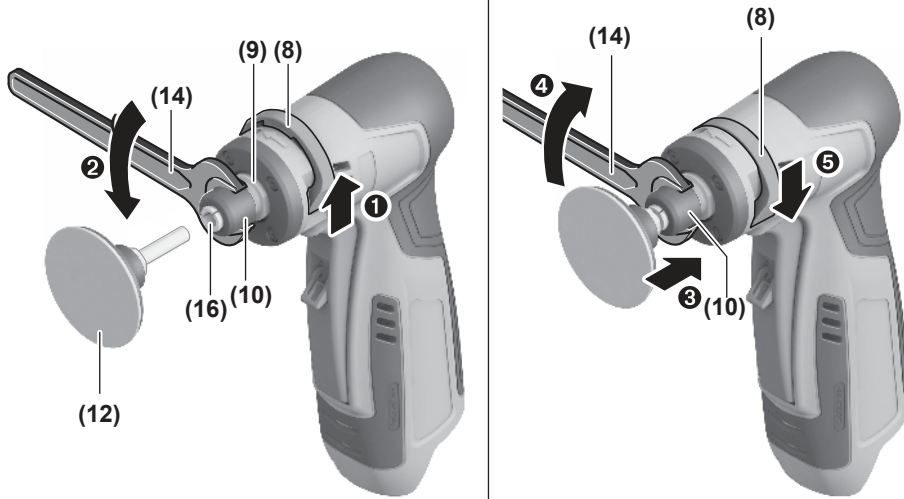
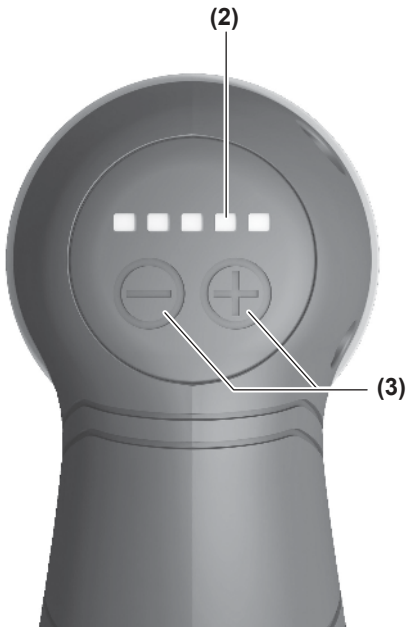
en Original instructions
ko 사용 설명서 원본





GWG 10.8V-50 S



A**B**

English

Safety Instructions

General Power Tool Safety Warnings

⚠ WARNING **Read all safety warnings and all instructions.** Failure to follow the warnings and instructions may result in electric shock, fire and/or serious injury.

Save all warnings and instructions for future reference.

The term "power tool" in the warnings refers to your mains-operated (corded) power tool or battery-operated (cordless) power tool.

Work area safety

- ▶ **Keep work area clean and well lit.** Cluttered or dark areas invite accidents.
- ▶ **Do not operate power tools in explosive atmospheres, such as in the presence of flammable liquids, gases or dust.** Power tools create sparks which may ignite the dust or fumes.
- ▶ **Keep children and bystanders away while operating a power tool.** Distractions can cause you to lose control.

Electrical safety

- ▶ **Power tool plugs must match the outlet. Never modify the plug in any way. Do not use any adapter plugs with earthed (grounded) power tools.** Unmodified plugs and matching outlets will reduce risk of electric shock.
- ▶ **Avoid body contact with earthed or grounded surfaces, such as pipes, radiators, ranges and refrigerators.** There is an increased risk of electric shock if your body is earthed or grounded.
- ▶ **Do not expose power tools to rain or wet conditions.** Water entering a power tool will increase the risk of electric shock.
- ▶ **Do not abuse the cord. Never use the cord for carrying, pulling or unplugging the power tool. Keep cord away from heat, oil, sharp edges or moving parts.** Damaged or entangled cords increase the risk of electric shock.
- ▶ **When operating a power tool outdoors, use an extension cord suitable for outdoor use.** Use of a cord suitable for outdoor use reduces the risk of electric shock.
- ▶ **If operating a power tool in a damp location is unavoidable, use a residual current device (RCD) protected supply.** Use of an RCD reduces the risk of electric shock.

Personal safety

- ▶ **Stay alert, watch what you are doing and use common sense when operating a power tool. Do not use a power tool while you are tired or under the influence of drugs, alcohol or medication.** A moment of inattention while operating power tools may result in serious personal injury.

- ▶ **Use personal protective equipment. Always wear eye protection.** Protective equipment such as dust mask, non-skid safety shoes, hard hat, or hearing protection used for appropriate conditions will reduce personal injuries.
- ▶ **Prevent unintentional starting. Ensure the switch is in the off-position before connecting to power source and/or battery pack, picking up or carrying the tool.** Carrying power tools with your finger on the switch or energising power tools that have the switch on invites accidents.
- ▶ **Remove any adjusting key or wrench before turning the power tool on.** A wrench or a key left attached to a rotating part of the power tool may result in personal injury.
- ▶ **Do not overreach. Keep proper footing and balance at all times.** This enables better control of the power tool in unexpected situations.
- ▶ **Dress properly. Do not wear loose clothing or jewellery. Keep your hair, clothing and gloves away from moving parts.** Loose clothes, jewellery or long hair can be caught in moving parts.
- ▶ **If devices are provided for the connection of dust extraction and collection facilities, ensure these are connected and properly used.** Use of dust collection can reduce dust-related hazards.

Power tool use and care

- ▶ **Do not force the power tool. Use the correct power tool for your application.** The correct power tool will do the job better and safer at the rate for which it was designed.
- ▶ **Do not use the power tool if the switch does not turn it on and off.** Any power tool that cannot be controlled with the switch is dangerous and must be repaired.
- ▶ **Disconnect the plug from the power source and/or the battery pack from the power tool before making any adjustments, changing accessories, or storing power tools.** Such preventive safety measures reduce the risk of starting the power tool accidentally.
- ▶ **Store idle power tools out of the reach of children and do not allow persons unfamiliar with the power tool or these instructions to operate the power tool.** Power tools are dangerous in the hands of untrained users.
- ▶ **Maintain power tools. Check for misalignment or binding of moving parts, breakage of parts and any other condition that may affect the power tool's operation. If damaged, have the power tool repaired before use.** Many accidents are caused by poorly maintained power tools.
- ▶ **Keep cutting tools sharp and clean.** Properly maintained cutting tools with sharp cutting edges are less likely to bind and are easier to control.
- ▶ **Use the power tool, accessories and tool bits etc. in accordance with these instructions, taking into account the working conditions and the work to be performed.**

formed. Use of the power tool for operations different from those intended could result in a hazardous situation.

Battery tool use and care

- ▶ **Recharge only with the charger specified by the manufacturer.** A charger that is suitable for one type of battery pack may create a risk of fire when used with another battery pack.
- ▶ **Use power tools only with specifically designated battery packs.** Use of any other battery packs may create a risk of injury and fire.
- ▶ **When battery pack is not in use, keep it away from other metal objects, like paper clips, coins, keys, nails, screws or other small metal objects, that can make a connection from one terminal to another.** Shorting the battery terminals together may cause burns or a fire.
- ▶ **Under abusive conditions, liquid may be ejected from the battery; avoid contact. If contact accidentally occurs, flush with water. If liquid contacts eyes, additionally seek medical help.** Liquid ejected from the battery may cause irritation or burns.

Service

- ▶ **Have your power tool serviced by a qualified repair person using only identical replacement parts.** This will ensure that the safety of the power tool is maintained.

Safety instructions for all operations

Safety warnings common for grinding or sanding

- ▶ **This power tool is intended to function as a grinder or sander. Read all safety warnings, instructions, illustrations and specifications provided with this power tool.** Failure to follow all instructions listed below may result in electric shock, fire and/or serious injury.
- ▶ **Operations such as wire brushing, polishing or cutting-off are not recommended to be performed with this power tool.** Operations for which the power tool was not designed may create a hazard and cause personal injury.
- ▶ **Do not use accessories which are not specifically designed and recommended by the tool manufacturer.** Just because the accessory can be attached to your power tool, it does not assure safe operation.
- ▶ **The rated speed of the grinding accessories must be at least equal to the maximum speed marked on the power tool.** Grinding accessories running faster than their rated speed can break and fly apart.
- ▶ **The outside diameter and the thickness of your accessory must be within the capacity rating of your power tool.** Incorrectly sized accessories cannot be adequately controlled.
- ▶ **The arbour size of wheels, sanding drums or any other accessory must properly fit the spindle or collet of the power tool.** Accessories that do not match the mounting hardware of the power tool will run out of balance, vibrate excessively and may cause loss of control.
- ▶ **Mandrel mounted wheels, sanding drums, cutters or other accessories must be fully inserted into the collet or chuck.** If the mandrel is insufficiently held and/or the overhang of the wheel is too long, the mounted wheel may become loose and be ejected at high velocity.
- ▶ **Do not use a damaged accessory. Before each use inspect the accessory such as abrasive wheels for chips and cracks, sanding drum for cracks, tear or excess wear, wire brush for loose or cracked wires. If power tool or accessory is dropped, inspect for damage or install an undamaged accessory. After inspecting and installing an accessory, position yourself and bystanders away from the plane of the rotating accessory and run the power tool at maximum no-load speed for one minute.** Damaged accessories will normally break apart during this test time.
- ▶ **Wear personal protective equipment. Depending on application, use face shield, safety goggles or safety glasses. As appropriate, wear dust mask, hearing protectors, gloves and workshop apron capable of stopping small abrasive or workpiece fragments.** The eye protection must be capable of stopping flying debris generated by various operations. The dust mask or respirator must be capable of filtering particles generated by your operation. Prolonged exposure to high intensity noise may cause hearing loss.
- ▶ **Keep bystanders a safe distance away from work area. Anyone entering the work area must wear personal protective equipment.** Fragments of workpiece or of a broken accessory may fly away and cause injury beyond immediate area of operation.
- ▶ **Always hold the tool firmly in your hand(s) during the start-up.** The reaction torque of the motor, as it accelerates to full speed, can cause the tool to twist.
- ▶ **Use clamps to support workpiece whenever practical. Never hold a small workpiece in one hand and the tool in the other hand while in use.** Clamping a small workpiece allows you to use your hand(s) to control the tool. Round material such as dowel rods, pipes or tubing have a tendency to roll while being cut, and may cause the bit to bind or jump toward you.
- ▶ **Never lay the power tool down until the accessory has come to a complete stop.** The spinning accessory may grab the surface and pull the power tool out of your control.
- ▶ **After changing the bits or making any adjustments, make sure the collet nut, chuck or any other adjustment devices are securely tightened.** Loose adjustment devices can unexpectedly shift, causing loss of control, loose rotating components will be violently thrown.
- ▶ **Do not run the power tool while carrying it at your side.** Accidental contact with the spinning accessory could snag your clothing, pulling the accessory into your body.
- ▶ **Regularly clean the power tool's air vents.** The motor's fan will draw the dust inside the housing and excessive

accumulation of powdered metal may cause electrical hazards.

- ▶ **Do not operate the power tool near flammable materials.** Sparks could ignite these materials.
- ▶ **Do not use accessories that require liquid coolants.** Using water or other liquid coolants may result in electrocution or shock.
- ▶ **Hold power tool by insulated gripping surfaces only, when performing an operation where the cutting accessory may contact hidden wiring.** Cutting accessory contacting a "live" wire may make exposed metal parts of the power tool "live" and could give the operator an electric shock.

Kickback and related warnings

Kickback is a sudden reaction to a pinched or snagged rotating wheel, sanding band, brush or any other accessory.

Pinching or snagging causes rapid stalling of the rotating accessory which in turn causes the uncontrolled power tool to be forced in the direction opposite of the accessory's rotation.

For example, if an abrasive wheel is snagged or pinched by the workpiece, the edge of the wheel that is entering into the pinch point can dig into the surface of the material causing the wheel to climb out or kick out. The wheel may either jump toward or away from the operator, depending on direction of the wheel's movement at the point of pinching. Abrasive wheels may also break under these conditions.

Kickback is the result of power tool misuse and/or incorrect operating procedures or conditions and can be avoided by taking proper precautions as given below.

- ▶ **Maintain a firm grip on the power tool and position your body and arm to allow you to resist kickback forces.** The operator can control kickback forces, if proper precautions are taken.
- ▶ **Use special care when working corners, sharp edges etc. Avoid bouncing and snagging the accessory.** Corners, sharp edges or bouncing have a tendency to snag the rotating accessory and cause loss of control or kickback.
- ▶ **Do not attach a toothed saw blade.** Such blades create frequent kickback and loss of control.
- ▶ **Always feed the bit into the material in the same direction as the cutting edge is exiting from the material (which is the same direction as the chips are thrown).** Feeding the tool in the wrong direction causes the cutting edge of the bit to climb out of the work and pull the tool in the direction of this feed.
- ▶ **Always have the work securely clamped.** The accessories will grab if they become slightly canted in the groove, and can kickback and you could lose control of the tool.

Safety warnings specific for grinding

- ▶ **Use only wheel types that are recommended for your power tool and only for recommended applications.**

Additional safety information

- ▶ **Do not touch grinding discs until they have cooled down.** The discs can become very hot while working.
- ▶ **Secure the workpiece.** A workpiece clamped with clamping devices or in a vice is held more secure than by hand.
- ▶ **This power tool is not suitable for bench-mounted use.** It must not be clamped into a vice or fastened to a workbench, for example.
- ▶ **In case of damage and improper use of the battery, vapours may be emitted. The battery can set alight or explode.** Ensure the area is well ventilated and seek medical attention should you experience any adverse effects. The vapours may irritate the respiratory system.
- ▶ **Do not open the battery.** There is a risk of short-circuiting.
- ▶ **The battery can be damaged by pointed objects such as nails or screwdrivers or by force applied externally.** An internal short circuit may occur, causing the battery to burn, smoke, explode or overheat.
- ▶ **Only use the battery in the manufacturer's products.** This is the only way in which you can protect the battery against dangerous overload.



Protect the battery against heat, e.g. against continuous intense sunlight, fire, dirt, water and moisture. There is a risk of explosion and short-circuiting.

Product Description and Specifications



Read all the safety and general instructions.

Failure to observe the safety and general instructions may result in electric shock, fire and/or serious injury.

Please observe the illustrations at the beginning of this operating manual.

Intended Use

The power tool with backing pad and corresponding discs is intended for grinding, deburring and cleaning metal.

Product Features

The numbering of the product features refers to the diagram of the power tool on the graphics page.

- (1) Direction of rotation arrow for the spindle
- (2) LED indicator
- (3) Buttons for speed preselection
- (4) Rechargeable battery^{a)}
- (5) Rechargeable battery release button^{a)}
- (6) Unlocking lever for on/off switch
- (7) On/off switch
- (8) Spindle lock

- (9) Grinding spindle
- (10) Clamping nut
- (11) Backing pad with straight shank^{b)}
- (12) Disc^{b)}
- (13) Handle (insulated gripping surface)
- (14) Open-ended spanner
- (15) Inner shank dimension L₀
- (16) Collet
 - a) Accessories shown or described are not included with the product as standard. You can find the complete selection of accessories in our accessories range.
 - b) Commercially available (not included in the scope of delivery)

Technical Data

Grinder	GWG 10.8V-50 S	
Article number	3 601 CA7 0..	
Rated voltage	V =	10.8
max. speed n ^{A)}	min ⁻¹	16,000
Speed adjustment range n ₁	min ⁻¹	5000–15,000
Max. collet diameter	mm	8
Spanner flat on the		
– clamping nut	mm	17
Max. grinding tool diameter	mm	50
Speed preselection		●
Constant electronic control		●
Weight according to EPTA-Procedure 01:2014 ^{B)}	kg	0,71–0,91
Recommended ambient temperature during charging	°C	0 to +35
Permitted ambient temperature during operation ^{C)}	°C	–15 to +50
Permitted ambient temperature during storage	°C	–20 to +50
Recommended rechargeable batteries		GBA 10.8V...
Recommended chargers		GAL 12... GAX 18...

A) Measured at 20–25 °C with rechargeable battery **GBA 10.8V 3.0Ah** and depending on the battery's state of charge as well as the power tool's operating temperature

B) Depends on battery in use

C) Limited performance at temperatures < 0 °C

Rechargeable battery

Bosch sells some cordless power tools without a rechargeable battery. You can tell whether a rechargeable battery is included with the power tool by looking at the packaging.

Charging the battery

► **Use only the chargers listed in the technical data.** Only these chargers are matched to the lithium-ion battery of your power tool.

Note: Lithium-ion rechargeable batteries are supplied partially charged according to international transport regulations. To ensure full rechargeable battery capacity, fully charge the rechargeable battery before using your tool for the first time.

Inserting the Battery

Push the charged battery into the battery holder until it clicks into place.

Removing the Battery

To remove the rechargeable battery, press the battery release buttons and pull the battery out. **Do not use force to do this.**

Battery charge indicator

The 5 LEDs of the LED display will indicate the state of charge of the battery. The LED indicator lights up for 5 seconds after start-up.

LED	Capacity
5 × continuous green light	80–100 %
4 × continuous green light	60–80 %
3 × continuous green light	40–60 %
2 × continuous green light	20–40 %
1 × continuous yellow light	1–20 %
1 × continuous red light	0–1 %

Temperature-dependent overload protection

In normal conditions of use, the power tool cannot be overloaded. If the power tool is overloaded or not kept within the permitted battery temperature range, the speed is reduced or the power tool switches off. At reduced speed, the power tool will run again at full speed once the permitted battery temperature is reached or the load is reduced. If it automatically shuts down, switch the power tool off, allow the battery to cool down, then switch the power tool back on.

Recommendations for Optimal Handling of the Battery

Protect the battery against moisture and water.

Only store the battery within a temperature range of –20 to 50 °C. Do not leave the battery in your car in the summer, for example.

A significantly reduced operating time after charging indicates that the battery has deteriorated and must be replaced. Follow the instructions on correct disposal.

Fitting

► **Remove the battery from the power tool before carrying out work on the power tool (e.g. maintenance,**

changing tool, etc.). The battery should also be removed for transport and storage. There is risk of injury from unintentionally pressing the on/off switch.

Fitting the abrasive tools (see figure A)

- ▶ **Only use open-ended spanners that are suitable and undamaged (see "Technical Data").**
- ▶ **Only use brand accessories for grinding from the dealer for the power tool which are approved for a minimum speed of 16,000 min⁻¹, which have a maximum diameter of 50 mm and are held by a backing pad, which also has a maximum diameter of 50 mm and which has a straight shank with a diameter of 6 mm, 1/4" or 8 mm.**
- Clean the grinding spindle (9) and all the parts to be fitted.
- To **release the collet (16)**, push the spindle lock (8) forwards.
- Loosen the clamping nut (10) by placing an open-ended spanner (14) on the spanner flat and turning it anticlockwise.
- Insert the straight shank of the backing pad (11) all the way into the collet (16).
- Firmly clamp the backing pad (11) by turning the clamping nut (10) clockwise with the open-ended spanner (14).
- Fit the disc (12) on the backing pad (11).
- Then push the spindle lock (8) back again.

The grinding tools must run completely concentrically. Do not continue to use damaged grinding tools that are out of balance. If the grinding tools are out of balance, they should be replaced.

- ▶ **Do not, under any circumstances, tighten the collet with the clamping nut until a grinding tool has been fitted.** The collet may otherwise become damaged.
- ▶ **Only use backing pads with an appropriate shank diameter.** A backing pad with a shank diameter which does not correspond to the tool holder of the power tool (see "Technical Data") cannot be held properly and will damage the collet chuck.
- ▶ **The application tool must be clamped at least 10 mm.** The inner shank dimension L_0 can be used to calculate the maximum permitted speed of the application tool from the specifications provided by the manufacturer of the application tool. It must not be less than the maximum speed of the power tool.

Dust/Chip Extraction

Dust from materials such as lead-containing coatings, some wood types, minerals and metal can be harmful to one's

health. Touching or breathing-in the dust can cause allergic reactions and/or lead to respiratory infections of the user or bystanders.

Certain dust, such as oak or beech dust, is considered carcinogenic, especially in connection with wood-treatment additives (chromate, wood preservative). Materials containing asbestos may only be worked by specialists.

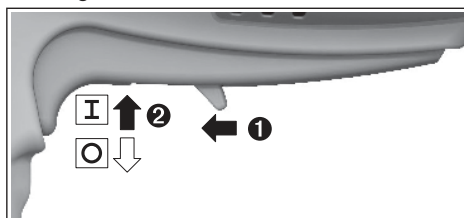
- Provide for good ventilation of the working place.
 - It is recommended to wear a P2 filter-class respirator.
- Observe the relevant regulations in your country for the materials to be worked.

- ▶ **Avoid dust accumulation at the workplace.** Dust can easily ignite.

Operation

Starting operation

Switching On and Off



To **start** the power tool, push the unlocking lever (6) forwards and then push the on/off switch (7) up.

To **switch off** the power tool, release the on/off switch (7).

Speed preselection (see figure B)

You can preselect the required speed using the two buttons for speed preselection (3), even during operation. The required speed depends on the material and the working conditions; it can be ascertained through practical tests.

LEDs	[min ⁻¹]
1 x continuous white light	5000
2 x continuous white light	7500
3 x continuous white light	10,000
4 x continuous white light	12500
5 x continuous white light	15000

- ▶ **The rated speed of the accessory must be at least equal to the maximum speed marked on the power tool.** Accessories running faster than their rated speed can break and fly apart.

LED Displays (see figure B)

The following table explains the possible LED displays (2).

Paint	State	Meaning/cause	Solution
White	Continuous light (1 x to 5 x)	Speed preselection	(see "Speed preselection (see figure B)", page 9)

Paint	State	Meaning/cause	Solution
Green	Continuous light (2 x to 5 x)	Battery charged	(see "Battery charge indicator", page 8)
Yellow	Continuous light (1 x)	Battery almost empty (see "Battery charge indicator", page 8)	Replace or charge battery soon
	Flashing light (5 x)	Critical temperature has been reached (motor, electronics, battery)	Run the power tool at no load and allow it to cool down
Red	Continuous light (1 x)	Battery empty (see "Battery charge indicator", page 8)	Replace or charge battery
	Flashing light (5 x)	Power tool is overheated and will switch off	Leave the power tool to cool down and switch it on again
		Power tool is jammed and will switch off	Rectify the blockage and switch the power tool on again
		The spindle lock is activated and the power tool will switch off	Deactivate the spindle lock and switch the power tool on again

Constant Electronic control

The Constant Electronic keeps the speed at no load and under load virtually consistent, guaranteeing uniform performance.

Practical advice

Move the backing pad with disc evenly back and forth with light pressure to achieve an optimum work result. Pressure that is too strong reduces the performance capability of the power tool and causes the grinding tool to wear more quickly.

- **Protect the grinding tools against impact.**

Maintenance and Service

Maintenance and Cleaning

- **Remove the battery from the power tool before carrying out work on the power tool (e.g. maintenance, changing tool, etc.). The battery should also be removed for transport and storage.** There is risk of injury from unintentionally pressing the on/off switch.
- **To ensure safe and efficient operation, always keep the power tool and the ventilation slots clean.**

After-Sales Service and Application Service

Our after-sales service responds to your questions concerning maintenance and repair of your product as well as spare parts. You can find explosion drawings and information on spare parts at: www.bosch-pt.com

The Bosch product use advice team will be happy to help you with any questions about our products and their accessories.

In all correspondence and spare parts orders, please always include the 10-digit article number given on the nameplate of the product.

Korea

Tel.: 080-955-0909 (Hotline)

You can find further service addresses at:

www.bosch-pt.com/serviceaddresses

Transport

The recommended lithium-ion batteries are subject to legislation on the transport of dangerous goods. The user can transport the batteries by road without further requirements.

When shipping by third parties (e.g.: by air transport or forwarding agency), special requirements on packaging and labelling must be observed. For preparation of the item being shipped, consulting an expert for hazardous material is required.

Dispatch battery packs only when the housing is undamaged. Tape or mask off open contacts and pack up the battery in such a manner that it cannot move around in the packaging. Please also observe the possibility of more detailed national regulations.

Disposal



Power tools, rechargeable batteries, accessories and packaging should be sorted for environmental-friendly recycling.



Do not dispose of power tools and batteries/rechargeable batteries into household waste!

Battery packs/batteries:

Li-ion:

Please observe the notes in the section on transport (see "Transport", page 10).

한국어

안전 수칙

전동공구용 일반 안전수칙

⚠ 경고 모든 안전수칙과 지시 사항을 상세히 읽고 지켜야 합니다. 다음의 안전수칙과 지시 사항을 준수하지 않으면 화재 위험이 있으며 감전 혹은 중상을 입을 수 있습니다. 앞으로 참고할 수 있도록 이 안전수칙과 사용 설명서를 잘 보관하십시오.

다음에서 사용되는 "전동공구"라는 개념은 전원에 연결하여 사용하는 (전선이 있는) 전동 기기나 배터리를 사용하는 (전선이 없는) 전동 기기를 의미합니다.

작업장 안전

- ▶ 작업장을 항상 깨끗이 하고 조명을 밝게 하십시오. 작업장 환경이 어수선하거나 어두우면 사고를 초래할 수 있습니다.
- ▶ 가연성 유체, 가스 또는 분진이 있어 폭발 위험이 있는 환경에서 전동공구를 사용하지 마십시오. 전동공구는 분진이나 증기에 점화하는 스파크를 일으킬 수 있습니다.
- ▶ 전동공구를 사용할 때 구경꾼이나 어린이 혹은 다른 사람이 작업장에 접근하지 못하게 하십시오. 다른 사람이 주의를 산만하게 하면 기기에 대한 통제력을 잃기 쉽습니다.

전기에 관한 안전

- ▶ 전동공구의 전원 플러그가 전원 콘센트에 잘 맞아야 합니다. 플러그를 절대 변경시켜서는 안 됩니다. (집지된) 전동공구를 사용할 때 어댑터 플러그를 사용하지 마십시오. 변형되지 않은 플러그와 잘 맞는 콘센트를 사용하면 감전의 위험을 줄일 수 있습니다.
- ▶ 파이프, 관, 라디에이터, 레인지, 냉장고와 같은 접지 표면에 몸이 닿지 않도록 하십시오. 몸에 닿을 경우 감전될 위험이 높습니다.
- ▶ 전동공구를 비에 맞지 않게 하고 습기 있는 곳에 두지 마십시오. 전동공구에 물이 들어가면 감전될 위험이 높습니다.
- ▶ 전원 코드를 잘못 사용하는 일이 없도록 하십시오. 전원 코드를 잡고 전동공구를 운반해서는 안 되며, 콘센트에서 전원 플러그를 뽑을 때 전원 코드를 잡아 당겨서는 절대로 안 됩니다. 전원 코드가 열과 오일에 접촉하는 것을 피하고, 날카로운 모서리나 기기의 가동 부위에 닿지 않도록 주의 하십시오. 손상되거나 영긴 전원 코드는 감전을 유발할 수 있습니다.
- ▶ 실외에서 전동공구로 작업할 때는 실외용으로 적당한 연장 전원 코드만을 사용하십시오. 실외용 연장 전원 코드를 사용하면 감전의 위험을 줄일 수 있습니다.
- ▶ 전동공구를 습기 찬 곳에서 사용해야 할 경우에는 누전 차단기를 사용하십시오. 누전 차단기를 사용하면 감전 위험을 줄일 수 있습니다.

사용자 안전

- ▶ 신중하게 작업하며, 전동공구를 사용할 때 경솔하게 행동하지 마십시오. 피로한 상태이거나 약물 복용 및 음주한 후에는 전동공구를 사용하지 마십시오. 전동공구를 사용할 때 잠시라도 주의가 산만해지면 중상을 입을 수 있습니다.
- ▶ 작업자 안전을 위한 장치를 사용하십시오. 항상 보안경을 착용하십시오. 전동공구의 종류와 사용에 따라 먼지 보호 마스크, 미끄러지지 않는 안전한 신발, 안전모 또는 귀마개 등의 안전한 복장을 하면 상해의 위험을 줄일 수 있습니다.
- ▶ 실수로 기기가 작동되지 않도록 주의하십시오. 전동공구를 전원에 연결하거나 배터리를 끼우기 전에, 혹은 기기를 들거나 운반하기 전에, 전원 스위치가 꺼져 있는지 다시 확인하십시오. 전동공구를 운반할 때 전원 스위치에 손가락을 대거나 전원 스위치가 켜진 상태에서 전원을 연결하면 사고 위험이 높습니다.
- ▶ 전동공구를 사용하기 전에 조절하는 툴이나 키 등을 빼 놓으십시오. 회전하는 부위에 있는 툴이나 키로 인해 상처를 입을 수 있습니다.
- ▶ 자신을 과신하지 마십시오. 불안정한 자세를 피하고 항상 평형을 이룬 상태로 작업하십시오. 안정된 자세와 평형한 상태로 작업해야만이 의외의 상황에서도 전동공구를 안전하게 사용할 수 있습니다.
- ▶ 알맞은 작업복을 입으십시오. 험령한 복장을 하거나 장신구를 착용하지 마십시오. 머리카락 또는 장갑이 가동하는 기기 부위에 가까이 닿지 않도록 주의하십시오. 험령한 복장, 장신구 혹은 긴 머리카락은 가동 부위에 말려 사고를 초래할 수 있습니다.
- ▶ 분진 추출장치나 수거장치의 조립이 가능한 경우, 이 장치가 연결되어 있는지, 제대로 작동이 되는지 확인하십시오. 이러한 분진 추출장치를 사용하면 분진으로 인한 사고 위험을 줄일 수 있습니다.

전동공구의 올바른 사용과 취급

- ▶ 기기를 과부하 상태에서 사용하지 마십시오. 작업할 때 이에 적당한 전동공구를 사용하십시오. 알맞은 전동공구를 사용하면 지정된 성능 한도 내에서 더 효율적으로 안전하게 작업할 수 있습니다.
- ▶ 전원 스위치가 고장 난 전동공구를 사용하지 마십시오. 전원 스위치가 작동되지 않는 전동공구는 위험하므로, 반드시 수리를 해야 합니다.
- ▶ 기기에 세팅을 하거나 액세서리 부품을 교환하거나 혹은 기기를 보관할 때, 항상 전원 콘센트에서 플러그를 미리 빼어 놓으십시오. 이러한 조치는 실수로 전동공구가 작동하게 되는 것을 예방합니다.
- ▶ 사용하지 않는 전동공구는 어린이 손이 닿지 않는 곳에 보관하고, 전동공구 사용에 익숙지 않거나 이 사용 설명서를 읽지 않은 사람은 기기를 사용해서는 안 됩니다. 경험이 없는 사람이 전동공구를 사용하면 위험합니다.

- ▶ 전동공구를 조심스럽게 관리하십시오. 가동 부위가 하차 없이 정상적인 기능을 하는지, 걸리는 부위가 있는지, 혹은 전동공구의 기능에 중요한 부품이 손상되지 않았는지 확인하십시오. 손상된 기기의 부품은 전동공구를 다시 사용하기 전에 반드시 수리를 맡기십시오. 제대로 관리하지 않은 전동공구의 경우 많은 사고를 유발합니다.
- ▶ 절단 공구를 날카롭고 깨끗하게 관리하십시오. 날카로운 절단면이 있고 잘 관리된 절단공구는 걸리는 경우가 드물고 조절하기도 쉽습니다.
- ▶ 전동공구, 액세서리, 장착하는 공구 등을 사용할 때, 이 지시 사항과 특별히 기종 별로 나와있는 사용 방법을 준수하십시오. 이때 작업 조건과 실시하려는 작업 내용을 고려하십시오. 원래 사용 분야가 아닌 다른 작업에 전동공구를 사용할 경우 위험한 상황을 초래할 수 있습니다.

충전 전동공구의 올바른 사용과 취급

- ▶ 배터리를 충전할 때 제조 회사가 추천하는 충전기만을 사용하여 재충전해야 합니다. 특정 제품의 배터리를 위하여 제조된 충전기에 적합하지 않은 다른 배터리를 충전할 경우 화재 위험이 있습니다.
- ▶ 각 전동공구용으로 나와있는 배터리만을 사용하십시오. 다른 종류의 배터리를 사용하면 상해를 입거나 화재를 초래할 수 있습니다.
- ▶ 배터리를 사용하지 않을 때는, 각 극을 자극 할 수 있는 페이퍼 클립, 동전, 열쇠, 못, 나사 등 유사한 금속성 물체와 멀리하여 보관하십시오. 배터리 극 사이에 쇼트가 일어나 화상을 입거나 화재를 야기할 수 있습니다.
- ▶ 배터리를 잘못 사용하면 누수가 생길 수 있습니다. 누수가 생긴 배터리에 닿지 않도록 하십시오. 피부에 접촉하게 되었을 경우 즉시 물로 씻으십시오. 유체가 눈에 닿았을 경우 바로 의사와 상담하십시오. 배터리에서 나오는 유체는 피부에 자극을 주거나 화상을 입힐 수 있습니다.

서비스

- ▶ 전동공구 수리는 반드시 전문 인력에게 맡기고, 수리 정비 시 부쉬 순정 부품만을 사용하십시오. 그렇게 함으로써 기기의 안전성을 오래 유지할 수 있습니다.

모든 작업에 적용되는 안전 수칙

그라인딩 또는 샌딩 작업에 대한 일반 안전 경고 사항

- ▶ 본 전동공구는 그라인더 또는 샌더와 같은 용도로 사용하기 위해 설계되었습니다. 본 전동공구와 함께 제공된 모든 안전경고, 지시사항, 그림 및 사양을 숙지하십시오. 다음의 지시 사항을 준수하지 않으면 감전, 화재, 또는 심각한 부상을 초래할 수 있습니다.
- ▶ 본 전동공구로 와이어 브러싱, 폴리싱 또는 연삭 절단과 같은 작업을 진행하는 것은 권장하지 않습니다. 본 전동공구의 설계 용도에 부합하지 않는 작업은 위험 상황 및 몸의 부상을 야기할 수 있습니다.

- ▶ 명확하게 설계되지 않았거나 공구 제조사에서 권장하지 않는 액세서리는 사용하지 마십시오. 액세서리를 공구에 부착할 수 있다고 해서 안전한 작동이 보장되는 것은 아닙니다.
- ▶ 연마 액세서리의 정격 속도는 적어도 공구 최고 속도와 동일해야 합니다. 정격 속도보다 빠른 속도에서 액세서리를 사용하면, 액세서리가 파손될 수 있습니다.
- ▶ 액세서리의 외경 및 두께는 공구가 수용할 수 있는 범위 내에 있어야 합니다. 액세서리 사이즈가 부정확한 경우 공구가 제대로 작동하지 않을 수 있습니다.
- ▶ 휠, 샌딩 드럼 또는 기타 액세서리의 주축 사이즈는 전동공구의 스피indle 또는 콜릿에 잘 맞아야 합니다. 전동공구의 하드웨어에 맞지 않는 액세서리를 장착할 경우 중심을 잃고 과도하게 진동하며, 통제력을 상실하게 됩니다.
- ▶ 휠, 샌딩 드럼, 커터 또는 기타 액세서리는 콜릿 또는 척에 완전히 삽입되어야 합니다. 연결축이 완전히 고정되지 않았거나, 휠의 돌출부가 너무 길면, 장착된 휠이 느슨해져 작업 시 빠질 수 있습니다.
- ▶ 손상된 액세서리를 사용하지 마십시오. 사용하기 전에 항상 연삭 휠이 깎이거나 갈라지지 않았는지, 샌딩 드럼이 갈라지거나 또는 찢어지거나 과도하게 마모되지 않았는지, 와이어 브러시의 와이어가 느슨하거나 갈라지지 않았는지 액세서리를 점검하십시오. 전동공구나 액세서리를 떨어뜨린 경우 손상된 부분이 있는지 확인하고, 손상된 경우 손상되지 않은 액세서리를 설치하십시오. 액세서리를 점검 및 설치한 뒤 회전하는 액세서리 작업대에서 거리를 멀리 유지하고 전동공구를 1분 간 최대 무부하 속도로 작동시키십시오. 액세서리가 손상된 경우 일반적으로 테스트 도중에 떨어져 나갈 것입니다.
- ▶ 신체 보호 장비를 착용하십시오. 용도에 따라 안면 보호구, 안전 고글 또는 보안경을 착용하십시오. 필요한 경우, 작은 연삭 파편 또는 가공품 파편을 막을 수 있는 방진 마스크, 청력 보호구, 장갑 및 작업용 앞치마를 착용하십시오. 보안경은 여러 작업을 진행하면서 생성되는 비산 파편들을 차단할 수 있어야 합니다. 마스크나 방독 마스크는 작업하면서 생성되는 먼지를 걸러낼 수 있어야 합니다. 오랫동안 고강도의 소음에 노출되면 청력이 손상될 수 있습니다.
- ▶ 주변 사람들이 작업 영역으로부터 안전거리를 유지하게 하십시오. 작업 영역에 진입하는 사람은 모두 신체 보호 장치를 착용해야 합니다. 가공품 또는 손상된 액세서리 파편이 작업 중인 곳을 벗어나서 날아가 부상을 초래할 수 있습니다.
- ▶ 공구가 작동되기 시작하면 항상 손으로 꼭 잡으십시오. 모터가 최대 속도로 가속되면, 모터의 반응 토크로 인해 공구가 휘어질 수 있습니다.
- ▶ 필요할 때마다 클램프를 사용하여 가공물을 받쳐 주십시오. 공구를 사용하는 도중 한 손에는 소형 가공물을, 다른 한 손에는 공구를 잡아서 절대 안 됩니다. 소형 가공물을 클램핑하면 손으로 공구를 제어할 수 있습니다. 도웰 막대, 파이프 또는

투브와 같은 원형 자재는 절단되면서 말리는 경향이 있으므로, 비트가 고착되어 움직이지 않거나 작업자 쪽으로 튀어오를 수 있습니다.

- ▶ **액세서리가 완전히 멈춤 때까지 절대 전동공구를 내려 놓지 마십시오.** 회전 액세서리가 표면에 달라붙어 전동공구를 제어하지 못하게 될 수 있습니다.
- ▶ **비트를 변경하거나 조정할 경우, 콜렛 너트, 척 또는 다른 조정 장치가 안전하게 조여졌는지 확인하십시오.** 조정 장치가 느슨한 경우 예상치 못하게 움직여 통제력을 잃을 수 있으며, 회전 부품이 느슨한 경우 튀어나갈 수 있습니다.
- ▶ **전동공구를 곁에 두고 이동시킬 때 공구를 작동시키지 마십시오.** 실수로 회전 액세서리에 닿게 되면 옷이 휘감겨 액세서리가 몸에 박힐 수 있습니다.
- ▶ **전동공구의 통풍구를 주기적으로 청소하십시오.** 모터의 팬은 하우징 내부로 먼지를 흡입하는데, 금속 가루가 너무 많이 쌓이면 전기 사고 위험을 초래할 수 있습니다.
- ▶ **가연성 소재 근처에서 전동공구를 작동시키지 마십시오.** 스파크로 인해 점화될 수 있습니다.
- ▶ **냉각용 액체가 필요한 액세서리는 사용하지 마십시오.** 물이나 기타 액체 냉매를 이용하면 감전되거나 감전사 할 수 있습니다.
- ▶ **절단용 액세서리가 숨겨진 배선에 접촉할 가능성이 있는 작업을 수행할 경우, 전동공구의 절연된 손잡이 또한 잡으십시오.** 절단용 액세서리가 "전류가 흐르는" 전선에 접촉되면, 전동공구의 노출된 금속 부품에 "전류가 흐르는" 상태로 만들어 작업자가 감전될 수 있습니다.

반동 및 관련 경고사항

반동이란 회전하는 휠, 샌딩 밴드, 브러시 또는 기타 액세서리가 짝 끼거나 장애물에 걸려 생기는 갑작스런 반작용을 의미합니다. 장애물에 끼이거나 걸리게 되면 회전하는 액세서리가 갑자기 멈추고, 이로 인해 전동공구에 반작용이 생겨 액세서리 회전 방향의 반대 방향으로 돌게 됩니다.

예를 들어, 연삭 휠이 가공품에 걸리거나 끼일 경우, 끼인 지점으로 들어가는 휠 가장자리가 가공물의 표면을 파고 들어 휠이 튕겨 나올 수 있습니다. 끼인 지점에서의 휠 운동 방향에 따라 휠이 작업자 측 또는 그 반대 방향으로 튕 수 있습니다. 이러한 경우에는 연삭 휠도 파손될 수 있습니다.

반동은 공구를 잘못 사용하거나 잘못된 조작 절차 또는 조건으로 인해 발생할 수 있으며 아래와 같은 적절한 예방 조치를 통해 반동을 막을 수 있습니다.

- ▶ **전동공구를 꼭 잡고 반발력에 저항할 수 있는 자세를 유지하십시오.** 작업자가 적절한 예방 조치를 취한다면 발생하는 반동력을 제어할 수 있습니다.
- ▶ **모서리, 날카로운 가장자리 등을 가공할 때는 특히 주의하십시오.** 액세서리가 튕겨 나가거나 걸리지 않게 하십시오. 모서리, 날카로운 가장자리 또는 탄성력이 있는 부분에는 회전하는 액세서리가 걸려 통제력을 잃거나 튀어 오르기 쉽습니다.

- ▶ **톱니가 있는 톱날을 장착하지 마십시오.** 이러한 톱날은 반동을 유발하거나 통제력을 잃게 하는 경우가 많습니다.
- ▶ **절삭날은 자재에서 빠져 나가므로 비트는 항상 자재와 동일한 방향(칩이 떨어지는 방향과 동일한 방향)으로 이송시키십시오.** 공구를 잘못된 방향으로 이송시키면 비트의 절삭날이 가공물을 타고 올라와 공구가 이송 방향에서 당겨질 수 있습니다.
- ▶ **가공물을 항상 안전하게 클램핑하십시오.** 액세서리가 홈에서 약간 기울어져 끼이면 반동을 일으켜 공구의 제어력을 잃을 수 있습니다.

그라인딩 작업에 대한 특별 안전 경고사항

- ▶ **사용하는 전동공구에 권장하는 유형의 휠을 권장하는 용도대로만 사용하십시오.**

추가 안전 경고사항

- ▶ **완전히 식을 때까지 연마석을 만지지 마십시오.** 작업 시 매우 뜨거워지기 때문입니다.
- ▶ **작업물을 잘 고정하십시오.** 고정장치나 기계 바이스에 끼워서 작업하면 손으로 잡는 것보다 더 안전합니다.
- ▶ **본 전동공구는 고정시켜 작업하는 용도로는 적합하지 않습니다.** 예를 들어 바이스에 고정시키거나 작업 거치대에 고정시켜 사용할 수 없습니다.
- ▶ **배터리가 손상되었거나 잘못 사용될 경우 증기가 발생할 수 있습니다.** 배터리에서 화재가 발생하거나 폭발할 수 있습니다. 작업장을 환기시키고, 필요한 경우 의사와 상담하십시오. 증기로 인해 호흡기가 자극될 수 있습니다.
- ▶ **배터리를 분해하지 마십시오.** 단락이 발생할 위험이 있습니다.
- ▶ **못이나 스크류 드라이버 같은 뾰족한 물체 또는 외부에서 오는 충격 등으로 인해 축전지가 손상될 수 있습니다.** 내부 단락이 발생하여 배터리가 타거나 연기가 발생하고, 폭발 또는 과열될 수 있습니다.
- ▶ **본 배터리는 제조사 제품에만 사용하십시오.** 그 외야만 배터리 과부하의 위험을 방지할 수 있습니다.



배터리를 태양 광선 등 고열에 장시간 노출되지 않도록 하고 불과 오염물질, 물, 수분이 있는 곳에 두지 마십시오. 폭발 및 단락의 위험이 있습니다.



제품 및 성능 설명



모든 안전 수칙과 지침을 숙지하십시오. 다음의 안전 수칙과 지침을 준수하지 않으면 화재 위험이 있으며 감전 혹은 중상을 입을 수 있습니다.

사용 설명서 앞 부분에 제시된 그림을 확인하십시오.

14 | 한국어

규정에 따른 사용

본 전동공구는 서포트 플레이트 및 해당 디스크를 이용해 금속 연마, 버 제거 및 청소 작업 용도로 사용됩니다.

제품의 주요 명칭

제품의 주요 명칭에 표기되어 있는 번호는 전동공구의 그림이 나와있는 면을 참고하십시오.

- (1) 스피들 회전방향 표시
- (2) LED 표시기
- (3) 속도 설정 버튼
- (4) 배터리^{a)}
- (5) 배터리 해제 버튼^{a)}
- (6) 전원 스위치 잠금 해제 레버
- (7) 전원 스위치
- (8) 스피들 잠금장치
- (9) 연삭 스피들
- (10) 클램핑 너트
- (11) 고정 샤프트가 포함된 서포트 플레이트^{b)}
- (12) 디스크^{b)}
- (13) 손잡이(절연된 손잡이 부위)
- (14) 스페너
- (15) 축 간극 L₀
- (16) 콜렛

a) 도면이나 설명서에 나와있는 액세스리는 표준 공급부품에 속하지 않습니다. 전체 액세스리는 저화 액세스리 프로그램을 참고하십시오.

b) 시중 제품(공급부품에 포함되어 있지 않음)

제품 사양

그라인더	GWG 10.8V-50 S	
제품 번호	3 601 CA7 0..	
정격 전압	V=	10.8
최대 회전속도 n ^{A)}	min ⁻¹	16,000
속도 설정 범위 n ₁	min ⁻¹	5000-15,000
최대 콜렛 직경	mm	8
클램핑 너트의		
- 클램핑 너트	mm	17
연마석 최대 직경	mm	50
속도 설정		●
전자식 정속도 제어 기능		●
EPTA-Procedure 01:2014에 따른 중량 ^{B)}	kg	0,71-0,91
충전 시 권장되는 주변 온도	°C	0... +35
작동 시 허용되는 주변 온도 ^{C)}	°C	-15... +50
보관 시 허용되는 주변 온도	°C	-20... +50

그라인더

GWG 10.8V-50 S

권장 배터리	GBA 10.8V...
권장하는 충전기	GAL 12... GAX 18...

- A) **GBA 10.8V 3.0Ah** 배터리 장착 시 20-25 °C에서 측정되었으며, 배터리 충전상태 및 기기의 작동 온도에 따라 달라질 수 있음
- B) 사용하는 배터리에 따라 상이
- C) 온도 < 0 °C일 때 출력 제한

배터리

Bosch는 배터리 없이도 충전 전동공구를 판매합니다. 전동공구의 공급 사양에 배터리가 포함되어 있는지 여부는 포장에서 확인할 수 있습니다.

배터리 충전하기

▶ **기술자료에 기재되어 있는 충전기만 사용하십시오.** 귀하의 전동공구에 사용된 리튬이온 배터리에 맞춰진 충전기들입니다.

지침: 리튬 이온 배터리는 국제 운송 규정에 따라 일부만 충전되에 출고됩니다. 배터리의 성능을 완전하게 보장하기 위해서는 처음 사용하기 전에 배터리를 완전히 충전하십시오.

배터리 장착하기

충전한 배터리는 배터리가 맞물려 고정될 때까지 배터리 홀더 쪽으로 미십시오.

배터리 탈착하기

배터리를 분리하려면 배터리 해제 버튼을 누른 상태에서 배터리를 당겨 빼내십시오. **무리하게 힘을 가하지 마십시오.**

배터리 충전상태 표시기

LED 표시기의 5개 LED를 통해 배터리의 충전상태를 나타냅니다. LED 표시기는 전원이 켜진 뒤 5 초 동안 불이 들어옵니다.

LED	용량
연속등 5 × 녹색	80-100 %
연속등 4 × 녹색	60-80 %
연속등 3 × 녹색	40-60 %
연속등 2 × 녹색	20-40 %
연속등 1 × 황색	1-20 %
연속등 1× 적색	0-1 %

온도에 따른 과부하 방지 기능

규정에 맞게 사용할 때 전동공구의 과부하를 방지할 수 있습니다. 부하가 심하거나 허용된 배터리 온도 범위를 벗어날 경우, 회전속도가 감소되거나 전동공구가 꺼집니다. 회전속도가 줄어든 경우에는 허용된 배터리 온도에 이르거나 부하가 줄어든 후에야 전동공구가 다시 정상적인 회전속도로 작동하게 됩니다. 자동으로 꺼질 경우, 전동공구의 전원을 끄고 배터리를 식힌 후에 다시 전원을 켜야 합니다.

올바른 배터리의 취급 방법

배터리를 습기나 물이 있는 곳에 두지 마십시오.
 배터리를 -20 °C 에서 50 °C 온도 범위에서만 저장하십시오. 예를 들면 배터리를 여름에 자동차 안에 두지 마십시오.
 충전 후 작동 시간이 현저하게 짧아지면 배터리의 수명이 다한 것이므로 배터리를 교환해야 합니다.
 폐기처리에 관련된 지시 사항을 준수하십시오.

조립

- ▶ 전동공구에 각종 작업(보수 정비 및 액세서리 교환 등)을 하거나 전동공구를 운반하거나 보관할 경우 배터리를 전동공구에서 빼십시오. 실수로 전원 스위치가 작동하게 되면 상해를 입을 위험이 있습니다.

연마공구 조립하기(그림 A 참조)

- ▶ 반드시 잘 맞고 손상되지 않은 양구 스페너만 사용하십시오(“제품 사양” 참조).
- ▶ 본 전동공구에는 전문 대리점에서 판매하는 연마용 브랜드 액세서리만 사용하십시오. 액세서리는 최소 16000 min⁻¹ 이상의 회전속도에 사용 가능하고, 50 mm의 최대 직경을 보유하며 서포트 플레이트에 설치 가능해야 합니다. 이때 서포트 플레이트의 직경도 최대 50 mm에 달하고, 서포트 플레이트의 고정 샤프트 직경은 6 mm, 1/4" 또는 8 mm여야 합니다.
- 연삭 스펀들 (9) 의 조립할 부품을 모두 깨끗이 닦습니다.
- 콜렛 (16) 을 풀고 스펀들 잠금장치 (8) 를 앞쪽으로 미십시오.
- 양구 스페너 (14) 를 이용하여 렌치 평면에서 클램핑 너트 (10) 를 시계 반대 방향으로 돌려 푸십시오.
- 서포트 플레이트 (11) 의 고정 샤프트를 콜렛 (16) 안으로 끝까지 넣어 끼우십시오.
- 양구 스페너 (14) 를 이용하여 클램핑 너트 (10) 를 시계 방향으로 돌려 서포트 플레이트 (11) 를 고정시키십시오.
- 디스크 (12) 를 서포트 플레이트 (11) 에 설치하십시오.
- 이후 스펀들 잠금장치 (8) 를 다시 뒤로 미십시오.

연마공구는 이상 없이 부드럽게 작동해야 합니다. 연마공구가 걸리면 더 이상 사용하지 말고, 이를 교체하십시오.

- ▶ 연마공구가 장착되어 있지 않은 경우에는 클램핑 너트로 콜렛을 조여서는 절대 안 됩니다. 그렇지 않을 경우 콜렛이 손상될 수 있습니다.
- ▶ 적당한 샌크 직경을 갖춘 서포트 플레이트만 사용하십시오. 샌크 직경이 전동공구의 톨 홀더에 맞지 않는 서포트 플레이트는 제대로 고정되지 않고 콜렛을 손상시킬 수 있습니다(“기술자료” 참조).

- ▶ 공구 비트는 적어도 10 mm 길이로 고정되어야 합니다. 내측 샌크 치수 L₀을 통해 연마석 제조회사에서 명시한 내용에서 허용되는 최대 회전속도를 확인할 수 있습니다. 이 회전속도는 전동공구의 최대 회전속도보다 낮아서는 안 됩니다.

분진 및 톱밥 추출장치

납 성분을 포함한 페인트나 몇몇 나무 종류, 또는 광물 성분 그리고 철과 같은 재료의 분진은 건강을 해칠 수 있습니다. 이 분진을 만지거나 호흡할 경우, 사용자나 주변 사람들은 알레르기 반응이나 호흡기 장애를 일으킬 수 있습니다.

떡갈나무나 너도밤나무와 같은 특정한 분진은 암을 유발시키며, 특히 목재 처리용으로 사용되는 부가원료(크로마트, 목재 보호제)와 혼합되면 암을 유발시키게 됩니다. 석면 성분을 포함한 재료는 오직 전문가가 작업을 해야 합니다.

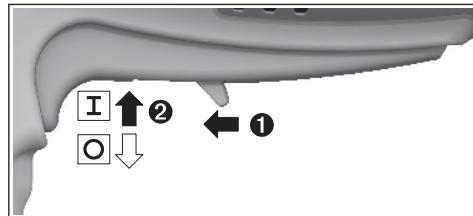
- 작업장의 통풍이 잘 되도록 하십시오.
 - 필터등급 P2에 해당되는 호흡 마스크를 사용하십시오.
- 작업용 재료에 관해 국가가 지정한 규정을 고려하십시오.

- ▶ 작업장에 분진이 쌓이지 않도록 하십시오. 분진이 쉽게 발화할 수 있습니다.

작동

기계 시동

전원 켜기/끄기



전동공구를 작동하려면 해제 레버 (6) 를 앞으로 민 다음에 전원 스위치 (7) 를 위쪽으로 누릅니다.

전동공구의 스위치를 끄려면 전원 스위치 (7) 에서 손을 떼면 됩니다.

회전속도 사전 선택(그림 B 참조)

작동 중에도 두 개의 회전속도 사전 선택 버튼 (3) 을 눌러 요구되는 회전속도를 미리 선택할 수 있습니다. 필요한 속도는 작업하려는 소재와 작업 조건에 따라 다르므로 실제 시험을 통해 결정할 수 있습니다.

LED	[min ⁻¹]
연속등 1 x 흰색	5,000
연속등 2 x 흰색	7500
연속등 3 x 흰색	10000
연속등 4 x 흰색	12500

LED	[min⁻¹]
연속등 5 x 흰색	15000

▶ **액세서리의 정격 속도는 적어도 공구에 표시되어 있는 최고 속도와 동일해야 합니다.** 정격 속도보

다 빠르게 작동되는 액세서리는 파손되어 분리될 수 있습니다.

LED 표시기(그림 B 참조)

LED 표시기 (2) 색상이 의미하는 바에 대한 설명은 아래 표에 제시됩니다.

색상	상태	의미/원인	해결책
흰색	연속등 (1 x ... 5 x)	속도 설정	(참조 „회전속도 사전 선택(그림 B 참조)“, 페이지 15)
녹색	연속등 (2 x ... 5 x)	배터리 충전됨	(참조 „배터리 충전상태 표시기“, 페이지 14)
황색	연속등 (1 x)	배터리 거의 방전됨 (참조 „배터리 충전상태 표시기“, 페이지 14)	배터리를 금방 교체하거나 충전하십시오
	점멸등 (5 x)	임계 수준의 온도에 도달함(모터, 전자 시스템, 배터리)	전동공구를 공회전 상태로 작동시킨 후 식히십시오
적색	연속등 (1 x)	배터리가 비어 있음 (참조 „배터리 충전상태 표시기“, 페이지 14)	배터리를 교체하거나 충전하십시오
	점멸등 (5 x)	전동공구가 과열되어 전원 꺼짐	전동공구를 식혔다가 다시 켜십시오
		전동공구가 끼임 현상이 발생되어 전원 꺼짐	막힌 원인을 해결하고 전동공구의 전원을 다시 켜십시오
		스핀들 잠금장치가 활성화되고 전동공구의 전원 꺼짐	스핀들 잠금장치를 비활성화하고 전동공구의 전원을 다시 켜십시오

일정 속도 전자 제어 장치

일정 속도 전자 제어 장치는 부하 시나 무부하 시의 회전 속도를 거의 일정하게 유지하며 동일한 작업 성능을 보장합니다.

사용방법

디스크가 적용된 서포트 플레이트를 가볍게 누른 상태로 일정하게 앞뒤로 움직이면 최적의 연마 효과를 얻을 수 있습니다. 너무 세게 누르면 전동공구의 성능이 떨어지고, 연마석이 더 빨리 마모됩니다.

▶ 연마공구가 충격 받지 않도록 잘 보관하십시오.

문의나 대체 부품 주문 시에는 반드시 제품 내임 플레이트에 있는 10자리의 부품번호를 알려 주십시오.

콜센터
080-955-0909

다른 AS 센터 주소는 아래 사이트에서 확인할 수 있습니다:

www.bosch-pt.com/serviceaddresses

보수 정비 및 서비스

보수 정비 및 유지

▶ 전동공구에 각종 작업(보수 정비 및 액세서리 교환 등)을 하거나 전동공구를 운반하거나 보관할 경우 배터리를 전동공구에서 빼십시오. 실수로 전원 스위치가 작동하게 되면 상해를 입을 위험이 있습니다.

▶ 안전하고 올바른 작동을 위하여 전동공구와 전동공구의 통풍구를 항상 깨끗이 하십시오.

운반

권장하는 리튬이온 배터리는 위험물 관련 규정을 따릅니다. 배터리는 별도의 요구 사항 없이 사용자가 직접 도로 상에서 운반할 수 있습니다.

제3자를 통해 운반할 경우(항공 운송회사나 운송회사 등) 포장과 표기에 관한 특별한 요구 사항을 준수해야 합니다. 이 경우 발송 준비를 위해 위험물 전문가와 상담해야 합니다.

표면이 손상되지 않은 배터리만 사용하십시오. 배터리의 접촉 단자면을 덮어 불인 상태로 내부에서 움직이지 않도록 배터리를 포장하십시오. 또한 이와 관련한 국내 규정을 준수하십시오.

AS 센터 및 사용 문의

AS 센터에서는 귀하 제품의 수리 및 보수정비, 그리고 부품에 관한 문의를 받고 있습니다. 대체 부품에 관한 분해 조립도 및 정보는 인터넷에서도 찾아볼 수 있습니다 - www.bosch-pt.com

보쉬 사용 문의 팀에서는 보쉬의 제품 및 해당 액세서리에 관한 질문에 기꺼이 답변 드릴 것입니다.

처리



전동공구, 배터리, 액세서리 및 포장은 환경 친화적인 방법으로 재활용할 수 있도록 분류하십시오.

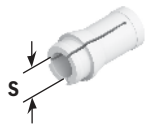


전동공구와 충전용 배터리/배터리를 가정용 쓰레기로 처리하지 마십시오!

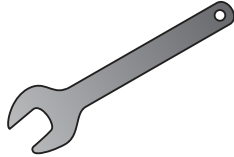
충전용 배터리/배터리:

리튬이온:

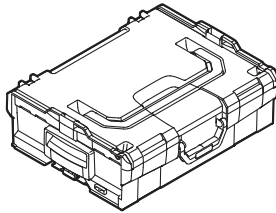
운반 단락에 나와 있는 지침을 참고하십시오 (참조 „운반“, 페이지 16).

**S**

6 mm / M 15	2 608 570 084
1/4" / M 15	2 608 570 085
8 mm / M 15	2 608 570 086



1 607 950 525



(L-BOXX 102)
1 600 A00 1DY



1 600 A02 K82

Licenses

Copyright © 2016 STMicroelectronics

All rights reserved.

Redistribution and use in source and binary forms, with or without modification, are permitted provided that the following conditions are met:

- Redistributions of source code must retain the above copyright notice, this list of conditions and the following disclaimer.
- Redistributions in binary form must reproduce the above copyright notice, this list of conditions and the following disclaimer in the documentation and/or other materials provided with the distribution.
- Neither the name of STMicroelectronics nor the names of its contributors may be used to endorse or promote products derived from this software without specific prior written permission.

THIS SOFTWARE IS PROVIDED BY THE COPYRIGHT HOLDERS AND CONTRIBUTORS "AS IS" AND ANY EXPRESS OR IMPLIED WARRANTIES, INCLUDING, BUT NOT LIMITED TO, THE IMPLIED WARRANTIES OF MERCHANTABILITY AND FITNESS FOR A PARTICULAR PURPOSE ARE DISCLAIMED. IN NO EVENT SHALL THE COPYRIGHT OWNER OR CONTRIBUTORS BE LIABLE FOR ANY DIRECT, INDIRECT, INCIDENTAL, SPECIAL, EXEMPLARY, OR CONSEQUENTIAL DAMAGES (INCLUDING, BUT NOT LIMITED TO, PROCUREMENT OF SUBSTITUTE GOODS OR SERVICES; LOSS OF USE, DATA, OR PROFITS; OR BUSINESS INTERRUPTION) HOWEVER CAUSED AND ON ANY THEORY OF LIABILITY, WHETHER IN CONTRACT, STRICT LIABILITY, OR TORT (INCLUDING NEGLIGENCE OR OTHERWISE) ARISING IN ANY WAY OUT OF THE USE OF THIS SOFTWARE, EVEN IF ADVISED OF THE POSSIBILITY OF SUCH DAMAGE.

Copyright © 2009–2020 ARM LIMITED

All rights reserved.

Redistribution and use in source and binary forms, with or without modification, are permitted provided that the following conditions are met:

- Redistributions of source code must retain the above copyright notice, this list of conditions and the following disclaimer.
- Redistributions in binary form must reproduce the above copyright notice, this list of conditions and the following disclaimer in the documentation and/or other materials provided with the distribution.
- Neither the name of ARM nor the names of its contributors may be used to endorse or promote products derived from this software without specific prior written permission.

THIS SOFTWARE IS PROVIDED BY THE COPYRIGHT HOLDERS AND CONTRIBUTORS "AS IS" AND ANY EXPRESS OR IMPLIED WARRANTIES, INCLUDING, BUT NOT LIMITED TO, THE IMPLIED WARRANTIES OF MERCHANTABILITY AND FITNESS FOR A PARTICULAR PURPOSE ARE DISCLAIMED. IN NO EVENT SHALL THE COPYRIGHT OWNER OR CONTRIBUTORS BE LIABLE FOR ANY DIRECT, INDIRECT, INCIDENTAL, SPECIAL, EXEMPLARY, OR CONSEQUENTIAL DAMAGES (INCLUDING, BUT NOT LIMITED TO, PROCUREMENT OF SUBSTITUTE GOODS OR SERVICES; LOSS OF USE, DATA, OR PROFITS; OR BUSINESS INTERRUPTION) HOWEVER CAUSED AND ON ANY THEORY OF LIABILITY, WHETHER IN CONTRACT, STRICT LIABILITY, OR TORT (INCLUDING NEGLIGENCE OR OTHERWISE) ARISING IN ANY WAY OUT OF THE USE OF THIS SOFTWARE, EVEN IF ADVISED OF THE POSSIBILITY OF SUCH DAMAGE.

Apache 2.0 License

Copyright © 2009-2019 Arm Limited. All rights reserved.

Copyright © 2018-2019 STMicroelectronics. All rights reserved.

Version 2.0, January 2004

<http://www.apache.org/licenses/>

TERMS AND CONDITIONS FOR USE, REPRODUCTION, AND DISTRIBUTION

1. Definitions.

"License" shall mean the terms and conditions for use, reproduction, and distribution as defined by Sections 1 through 9 of this document.

"Licensor" shall mean the copyright owner or entity authorized by the copyright owner that is granting the License.

"Legal Entity" shall mean the union of the acting entity and all other entities that control, are controlled by, or are under common control with that entity. For the purposes of this definition, **"control"** means (i) the power, direct or indirect, to cause the

direction or management of such entity, whether by contract or otherwise, or (ii) ownership of fifty percent (50%) or more of the outstanding shares, or (iii) beneficial ownership of such entity.

"You" (or **"Your"**) shall mean an individual or Legal Entity exercising permissions granted by this License.

"Source" form shall mean the preferred form for making modifications, including but not limited to software source code, documentation source, and configuration files.

"Object" form shall mean any form resulting from mechanical transformation or translation of a Source form, including but not limited to compiled object code, generated documentation, and conversions to other media types.

"Work" shall mean the work of authorship, whether in Source or Object form, made available under the License, as indicated by a copyright notice that is included in or attached to the work (an example is provided in the Appendix below).

"Derivative Works" shall mean any work, whether in Source or Object form, that is based on (or derived from) the Work and for which the editorial revisions, annotations, elaborations, or other modifications represent, as a whole, an original work of authorship. For the purposes of this License, Derivative Works shall not include works that remain separable from, or merely link (or bind by name) to the interfaces of, the Work and Derivative Works thereof.

"Contribution" shall mean any work of authorship, including the original version of the Work and any modifications or additions to that Work or Derivative Works thereof, that is intentionally submitted to Licensor for inclusion in the Work by the copyright owner or by an individual or Legal Entity authorized to submit on behalf of the copyright owner. For the purposes of this definition, **"submitted"** means any form of electronic, verbal, or written communication sent to the Licensor or its representatives, including but not limited to communication on electronic mailing lists, source code control systems, and issue tracking systems that are managed by, or on behalf of, the Licensor for the purpose of discussing and improving the Work, but excluding communication that is conspicuously marked or otherwise designated in writing by the copyright owner as **"Not a Contribution."**

"Contributor" shall mean Licensor and any individual or Legal Entity on behalf of whom a Contribution has been received by Licensor and subsequently incorporated within the Work.

2. Grant of Copyright License. Subject to the terms and conditions of this License, each Contributor hereby grants to You a perpetual, worldwide, non-exclusive, no-charge, royalty-free, irrevocable copyright license to reproduce, prepare Derivative Works of, publicly display, publicly perform, sublicense, and distribute the Work and such Derivative Works in Source or Object form.

3. Grant of Patent License. Subject to the terms and conditions of this License, each Contributor hereby grants to You a perpetual, worldwide, non-exclusive, no-charge, royalty-free, irrevocable (except as stated in this section) patent license to make, have made, use, offer to sell, sell, import, and otherwise transfer the Work, where such license applies only to those patent claims licensable by such Contributor that are necessarily infringed by their Contribution(s) alone or by combination of their Contribution(s) with the Work to which such Contribution(s) was submitted. If You institute patent litigation against any entity (including a cross-claim or counterclaim in a lawsuit) alleging that the Work or a Contribution incorporated within the Work constitutes direct or contributory patent infringement, then any patent licenses granted to You under this License for that Work shall terminate as of the date such litigation is filed.

4. Redistribution. You may reproduce and distribute copies of the Work or Derivative Works thereof in any medium, with or without modifications, and in Source or Object form, provided that You meet the following conditions:

- You must give any other recipients of the Work or Derivative Works a copy of this License; and
- You must cause any modified files to carry prominent notices stating that You changed the files; and
- You must retain, in the Source form of any Derivative Works that You distribute, all copyright, patent, trademark, and attribution notices from the Source form of the Work, excluding those notices that do not pertain to any part of the Derivative Works; and
- If the Work includes a **"NOTICE"** text file as part of its distribution, then any Derivative Works that You distribute must include a readable copy of the attribution notices contained within such NOTICE file, excluding those notices that do not pertain to any part of the Derivative Works, in at least one of the following places: within a NOTICE text file distributed as part of the Derivative Works; within the Source form or documentation, if provided along with the Derivative Works; or, within a display generated by the Derivative Works, if and wherever such third-party notices normally appear. The contents of the NOTICE file are for informational purposes only and do not modify the License.

You may add Your own attribution notices within Derivative Works that You distribute, alongside or as an addendum to the NOTICE text from the Work, provided that such additional attribution notices cannot be construed as modifying the License. You may add Your own copyright statement to Your modifications and may provide additional or different license terms and conditions for use, reproduction, or distribution of Your modifications, or for any such Derivative Works as a whole, provided Your use, reproduction, and distribution of the Work otherwise complies with the conditions stated in this License.

5. Submission of Contributions. Unless You explicitly state otherwise, any Contribution intentionally submitted for inclusion in the Work by You to the Licensor shall be under the terms and conditions of this License, without any additional terms or con-

ditions. Notwithstanding the above, nothing herein shall supersede or modify the terms of any separate license agreement you may have executed with Licensor regarding such Contributions.

6. Trademarks. This License does not grant permission to use the trade names, trademarks, service marks, or product names of the Licensor, except as required for reasonable and customary use in describing the origin of the Work and reproducing the content of the NOTICE file.

7. Disclaimer of Warranty. Unless required by applicable law or agreed to in writing, Licensor provides the Work (and each Contributor provides its Contributions) on an "AS IS" BASIS, WITHOUT WARRANTIES OR CONDITIONS OF ANY KIND, either express or implied, including, without limitation, any warranties or conditions of TITLE, NON-INFRINGEMENT, MERCHANTABILITY, or FITNESS FOR A PARTICULAR PURPOSE. You are solely responsible for determining the appropriateness of using or redistributing the Work and assume any risks associated with Your exercise of permissions under this License.

8. Limitation of Liability. In no event and under no legal theory, whether in tort (including negligence), contract, or otherwise, unless required by applicable law (such as deliberate and grossly negligent acts) or agreed to in writing, shall any Contributor be liable to You for damages, including any direct, indirect, special, incidental, or consequential damages of any character arising as a result of this License or out of the use or inability to use the Work (including but not limited to damages for loss of goodwill, work stoppage, computer failure or malfunction, or any and all other commercial damages or losses), even if such Contributor has been advised of the possibility of such damages.

9. Accepting Warranty or Additional Liability. While redistributing the Work or Derivative Works thereof, You may choose to offer, and charge a fee for, acceptance of support, warranty, indemnity, or other liability obligations and/or rights consistent with this License. However, in accepting such obligations, You may act only on Your own behalf and on Your sole responsibility, not on behalf of any other Contributor, and only if You agree to indemnify, defend, and hold each Contributor harmless for any liability incurred by, or claims asserted against, such Contributor by reason of your accepting any such warranty or additional liability.

END OF TERMS AND CONDITIONS

Copyright © 2017 STMicroelectronics

Redistribution and use in source and binary forms, with or without modification, are permitted provided that the following conditions are met:

- Redistributions of source code must retain the above copyright notice, this list of conditions and the following disclaimer.
- Redistributions in binary form must reproduce the above copyright notice, this list of conditions and the following disclaimer in the documentation and/or other materials provided with the distribution.
- Neither the name of STMicroelectronics nor the names of its contributors may be used to endorse or promote products derived from this software without specific prior written permission.

THIS SOFTWARE IS PROVIDED BY THE COPYRIGHT HOLDERS AND CONTRIBUTORS "AS IS" AND ANY EXPRESS OR IMPLIED WARRANTIES, INCLUDING, BUT NOT LIMITED TO, THE IMPLIED WARRANTIES OF MERCHANTABILITY AND FITNESS FOR A PARTICULAR PURPOSE ARE DISCLAIMED. IN NO EVENT SHALL THE COPYRIGHT HOLDER OR CONTRIBUTORS BE LIABLE FOR ANY DIRECT, INDIRECT, INCIDENTAL, SPECIAL, EXEMPLARY, OR CONSEQUENTIAL DAMAGES (INCLUDING, BUT NOT LIMITED TO, PROCUREMENT OF SUBSTITUTE GOODS OR SERVICES; LOSS OF USE, DATA, OR PROFITS; OR BUSINESS INTERRUPTION) HOWEVER CAUSED AND ON ANY THEORY OF LIABILITY, WHETHER IN CONTRACT, STRICT LIABILITY, OR TORT (INCLUDING NEGLIGENCE OR OTHERWISE) ARISING IN ANY WAY OUT OF THE USE OF THIS SOFTWARE, EVEN IF ADVISED OF THE POSSIBILITY OF SUCH DAMAGE.