



Operations & Parts Manual

For Models:

- 90.800.150
- 90.800.250

Purchase Date	Model No.	Serial No.
Dealer		

Your sprayer has been manufactured to provide years of dependable and efficient use. Proper operation and maintenance will ensure long satisfactory service. Study this manual carefully to become familiar with the operation and maintenance instructions.

Keep your manual in a safe, convenient place for future reference. Always mention the model and part number in any correspondence. To ensure correct parts service, be sure to use part number and description when ordering.

ASSEMBLY

1. Remove sprayer from carton and place on flat surface.
2. Slide wheels onto axles. Place one axle push-nut over the end of the axle and hit lightly with a hammer until push-nut is secure. Repeat with other side of axle.
3. Attach the tongue to the unit with bolts previously installed. Unscrew the 5/16" nuts and insert tongue onto bolts, replace the nuts and tighten securely. Bolt the upper and lower hitch to the tongue with (2) 5/16" bolts and nuts provided. The hitch can be reversed to raise or lower the tongue to better fit your lawn tractor height.
4. Attach the boom mount uprights to the back of the frame with (4) 5/16" bolts and nuts provided. Attach the pre-assembled boom to the boom uprights with the (2) 5/16" bolts and nuts provided. Tighten securely. Thread the hose fitting from the boom onto the garden hose valve located on the pump manifold.
5. Screw the gun clips on the side of the tank with the (2) 10-24 screws provided. Place the hose clamp over the spray gun hose and push the hose onto the barbed fitting on the pump manifold. Using pliers, squeeze the clamp until secure.
6. Slide the "T" end of the cap tether through the hole located on the top of the tank and through the hole located in the top of the cap. Place the tank drain cap tether over the threads of the tank drain opening and tighten the cap to the tank.
7. Plug the wiring harness to the pump.

OPERATION

Operating power is obtained from a 12-Volt direct source. Be sure to connect the red to the positive (+) source and attach the black to the negative (-) source.

IMPORTANT: Before spraying chemicals, fill the tank half full of plain water to allow familiarization with the sprayer and to prevent waste of expensive chemicals.

Sprayer Maintenance

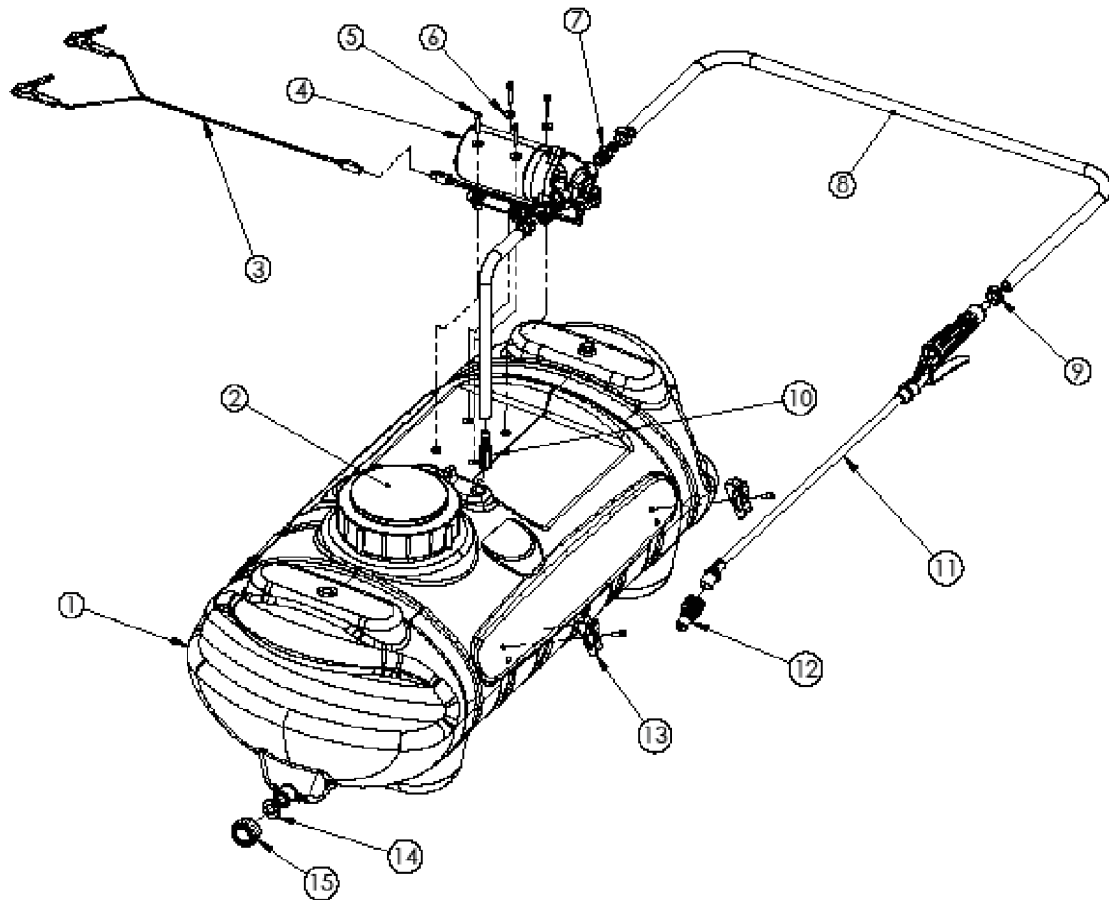
This sprayer is carefully designed and built machine that should provide many years of reliable service if properly cared for. The main rule in caring for any sprayer is: KEEP IT CLEAN. Neglect costs dollars in repairs, wasted spray material and premature replacement of the sprayer.

Cleaning & Storage

Most spray materials are highly corrosive. **The most important aspect of long dependable service from the sprayer is a thorough cleaning immediately follow each use.** In addition, the residue of one type of chemical could cause an undesirable effect when a different chemical is used for a different purpose. The most effective cleaning method is to pump several rinses of clean water through the tank, pump, hoses, boom spray, etc. A neutralizing agent such as solution of Nutra-Sol, a detergent or household ammonia as recommended by the chemical manufacturer can assist in removal of a persistent chemical. When the system is thoroughly cleaned drain the tank, suction line, pump, hoses, etc.

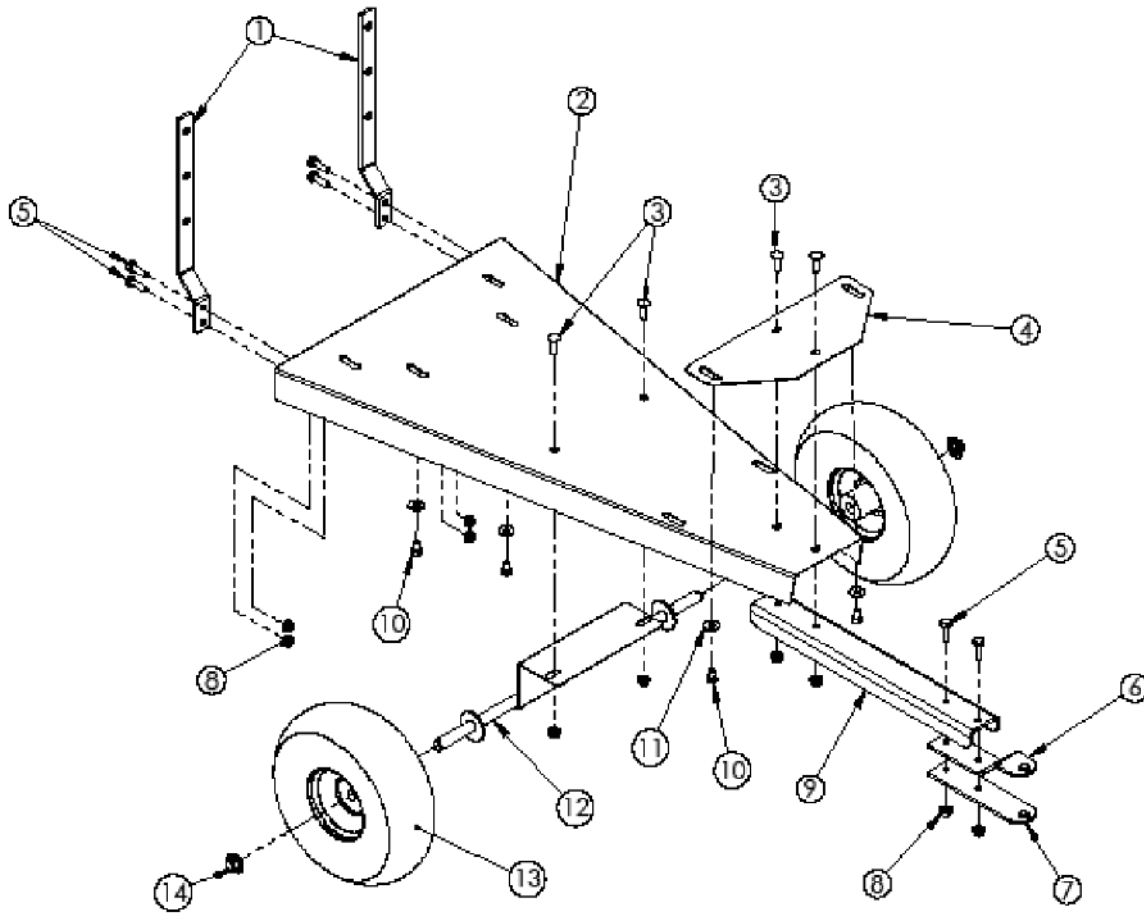
The following steps should be followed for the maintenance and storage of your sprayer.

1. Wash and flush out sprayer after completion of each phase of your program. Flush out sprayer when changing chemicals if there is a possibility of the chemicals being incompatible. Use of a detergent is advisable if the chemical manufacturer does not make specific cleaning recommendations. Flush system completely, including nozzles. Never use metal objects to open clogged nozzles.
2. Clean sprayer thoroughly before storing at the end of the spraying season. Permanent type anti-freeze added to the final rinse will leave a rust inhibiting film in parts of the sprayer.

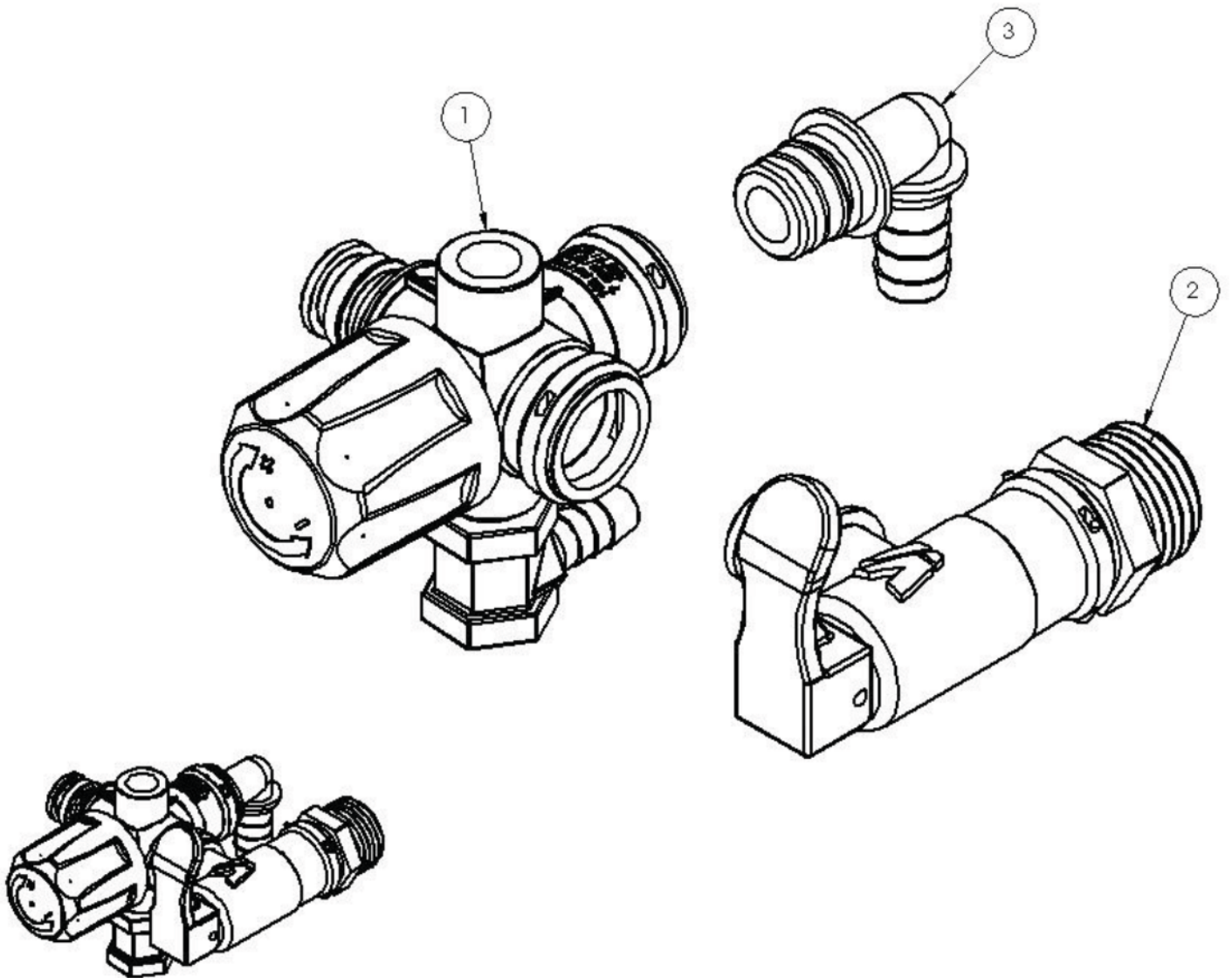


REF NO.	PART NO.	DESCRIPTION	QTY
1	33-103231	Tank, 15 Gallon	1
	33-103230	Tank, 25 Gallon	1
2	TL-6B	Lid, Tank	1
3	33-103234	Harness, Wire, SS	1
4	33-103208	Pump, Delavan, 1 GPM, 15 Gallon	1
	33-103209	Pump, Delavan, 2 GPM, 25 Gallon	1
5	33-103126	Screw, Machine, 10-24x5/8, 15 Gal	4
	33-103127	Screw, Machine, 10-24x1", 1.8 & 2.0 GPM Pumps	4
6	33-103131	Washer #10, 1.8 & 2.0 GPM Pumps Only	4
7	A38	Fitting, 3/8" MNPTx3/8"HB 1.8 & 2.0 GPM Pumps	2

REF NO.	PART NO.	DESCRIPTION	QTY
8	3204-1407	Hose, Rubber, 3/8"	15 ft
9	SHC-F	Clamp, Hose	3
10	33-103121	Strainer, Inlet	1
11	SG-4507F	Wand, w/Filter	1
12	SG-45ASSY-18	Nozzle, Assembly	1
13	GC-100-KIT	Clip, Gun (pair)	1
14	W406-V	Washer, Garden Hose	1
	3N34	Cap, Garden Hose	1
	3204-1407	Hose, Rubber, 3/8" Inlet to Pump	18"
	SS-MANUAL-MM	Manual (not shown)	1



REF NO.	PART NO.	DESCRIPTION	QTY
1	31-100119	Boom Mount	2
2	31-100116	Frame	1
3	33-100112	Carriage Bolt, 5/16-18 x 1"	4
4	31-100115	Front Tank Mount (25 Gallon Tank)	1
5	33-100116	Bolt, 5/16-18 x 1"	6
6	31-100121	Top Hitch Plate	1
7	31-100138	Bottom Hitch Plate	1
8	33-100113	Nut, Serrated, 5/16"	10
9	31-100114	Tongue, 15 & 25 Gallon Sprayer	1
10	33-100114	Bolt, 5/16-18 x 1"	4
11	33-100115	Washer, 5/16	4
12	32-100119	Axle, 15 & 25 Gallon Sprayer	1
13	TWA410/350-4	Tire Assembly, 10"	2
14	PW-625019-50H	Push Nut	2



REF NO.	PART NO.	DESCRIPTION	QTY
1	34-140118	Regulator, Assy, Sprayer	1
2	34-140161	Valve, ON/OFF, Male QA x Female QA Ports	1
3	EF-QC-EL12	Fitting, Elbow, QA x 1/2" HB, Black	1

Approximate application rate with (2) DF3.0 Nozzles and 50 mesh filter.

GALLONS PER ACRE (40" SPACING) (US GALLONS)								
PSI	FLOW (GPM)	3 MPH	4 MPH	5 MPH	6 MPH	7 MPH	8 MPH	9 MPH
15	0.74	36.4	27.2	21.8	18.2	15.6	13.6	12.2
20	0.84	42	31.4	25.4	21	18	15.8	14
30	0.94	47	35.2	28.2	23.4	20.2	17.6	15.6
40	1.04	51.4	38.6	25.8	25.8	22	19.2	17.2
60	1.12	55.6	41.6	27.8	27.8	23.8	20.8	18.6

