

BRIGHTLUX

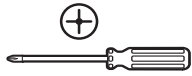
Item # 9000-0004 & 9000-0005

Model # AML14-WW-16.5FT & AML14-CW-16.5FT

Use and Care Guide

16.5ft. High-Voltage 360° Neon Flex

TOOLS REQUIRED



Phillips Screwdriver

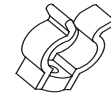
HARDWARE INCLUDED



A - 16.5ft. 360° Neon Flex x1



B - 5ft. Power Cord x1



C - Mounting Clip x 10

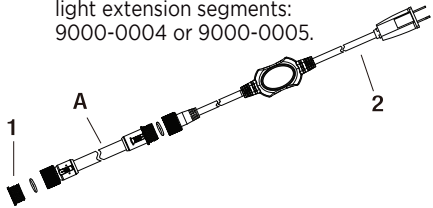


D - Screw x 10

INSTALLATION

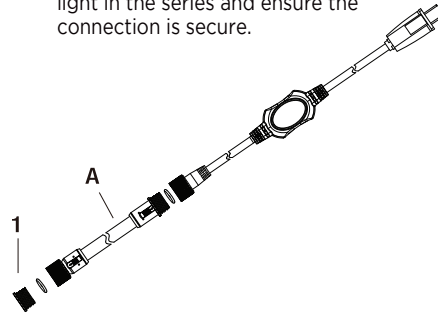
1 PREPARING TO EXTEND THE NEON FLEX LIGHTS

- Ensure all neon flex lights are unplugged before adding the additional neon flex light (A) to the series.
- Remove the end cap (1) from the last neon flex light in the series by turning clockwise.
- Remove the power cord (2) from additional extension neon flex lights (A).
- Extend up to 108ft. (32.9m) maximum. Use only the following BrightLux neon flex light extension segments: 9000-0004 or 9000-0005.



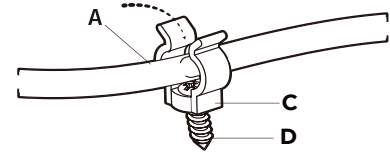
2 CONNECTING THE NEON FLEX LIGHTS

- Connect the last neon flex light in the series and the extension neon flex light (A) together and ensure the connectors are tightly secured.
- Attach the end cap (1) to the last neon flex light in the series and ensure the connection is secure.



3 MOUNTING THE NEON FLEX LIGHTS

- Insert the screw (D) through the opening in the mounting clip (C).
- Screw the mounting clip (C) into position at the installation location.
- Place the neon flex light (A) securely into the mounting clip (C).
- Mounting clips should be evenly spaced and be a maximum of 3ft. (0.91 m) apart.
- Make sure the distance between two lines of neon flex light is at least 1/2in. (12 mm).



SAFETY INFORMATION

READ AND FOLLOW ALL SAFETY INSTRUCTIONS

- Ground Fault Circuit Interrupter (GFCI) protection should be provided in the circuits or outlet to be used for outdoor use. Receptacles are available that have built-in GFCI protection.
- Only use outdoor extension cords such as type SW, SOW, STW, STOW, SJW, SJOW, SJTW, or SJTOW. This designation is marked on the wire of the extension cord.
- The rated voltage for this product is 120VAC, 60Hz, 32W, 0.25A.
- Do not operate this product with the flexible light tightly coiled.
- Do not route the cord or flexible light cable through walls, doors, windows, or any similar part of a building structure.
- Do not subject flexible lighting to continuous flexing.
- Do not exceed the maximum extension length in feet permitted by the marking. The maximum extension length for this neon flex light is 108ft. (32.9m).

SAVE THESE INSTRUCTIONS



WARNING: This product has a polarized plug (one blade is wider than the other) as a feature to reduce the risk of electric shock. This plug will fit in a polarized outlet only one way. If the plug does not fit fully in the outlet, reverse the plug. If it still does not fit, contact a qualified electrician. Never use with an extension cord unless the plug can be fully inserted. Do not alter the plug.



WARNING: When using this product outdoors, basic safety precautions should always be followed to reduce the risk of fire, electric shock, and personal injury.



WARNING: Do not cover this product as the covering may cause the flexible light to overheat and either melt or ignite.



WARNING: Do not puncture, cut, shorten, or splice the flexible lighting.



WARNING: Do not use if there is any damage to the light or cord insulation. Inspect periodically.



WARNING: Do not mount or secure the flex light in a manner that can cut the outer jacket or damage the cord insulation. Inspect the flex light carefully before use and discard any flex lights that have a broken outer jacket, loose connections, or frayed wire insulation.



WARNING: Do not submerge the flexible light in liquids or use the product in the vicinity of standing water or other liquids.



WARNING: Secure the flex lights using only the mounting clips provided. Do not secure this product with staples, nails, or similar objects that may damage the insulation.



WARNING: Do not install the neon flex light within 16 ft. (4.87 m) of pool or spa. Do not install neon flex lighting in cabinets, tanks, or enclosures of any kind.



CAUTION: All units must be unplugged before you add additional segments. Only use segments recommended by the manufacturer of this lighting system.



CAUTION: Ensure all connections and the end cap on the last segment are tightly secured to prevent the entry of water.



MAINTENANCE

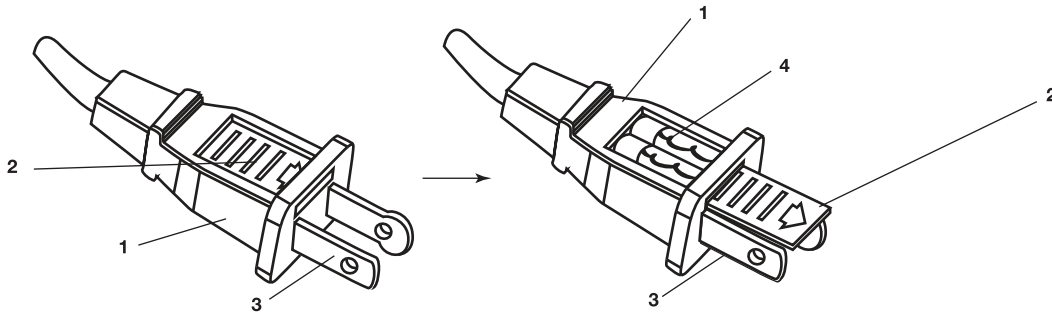
REPLACING THE FUSE



WARNING: Risk of fire. The plug on the main neon flex light contains an electrical fuse as a safety feature. Do not remove or replace this plug. Do not use the light if the plug is damaged.

To replace the fuse:

- Disconnect the power before replacing the fuse.
- Grasp the plug (1) on the primary neon flex light and remove from the receptable or other outlet device. Do not unplug by pulling on the cord.
- Slide the fuse access cover (2) towards the prongs of the plug (3) to open.
- Carefully remove the old fuse (4) and replace with a 5-Amp 125-Volt fuse.
- Close the fuse access cover (2) by sliding to the original closed position.



WARRANTY

The manufacturer warrants this product to be free for two (2) years against any defects that are due to faulty materials or workmanship. This warranty applies only to the original customer purchaser and only to products used in normal use and service. If this product is found to be defective, the manufacturer's only obligation, and your exclusive remedy, is the repair or replacement of the product at the manufacturer's discretion, provided that the product has not been damaged through misuse, abuse, accident, modifications, alterations, neglect, or mishandling. This warranty shall not apply to any product that is found to have been improperly installed, set up, or used in any way not following the instructions supplied with the product. This warranty shall not apply to a failure of the product as a result of an accident, misuse, abuse, negligence, alteration, or faulty installation, or any other failure not relating to faulty workmanship. This warranty shall not apply to finish on any portion of the product, such as surface and/or weathering, as this is considered normal wear and tear. The manufacturer does not warrant and specifically disclaim any warranty, whether expressed or implied or fitness for a particular purpose, other than the warranty contained herein. The manufacturer specifically disclaims any liability and shall not be liable for any consequential or incidental loss or damage, including any labor/expense costs involved in the replacement or repair of said product.

Contact Customer Service Team at **1-844-255-9692**



BRIGHTLUX

Questions, problems, missing parts? Before returning to the store,
call out Customer Service Team
8 a.m. - 5 p.m., MST, Monday - Friday
1-844-255-9692

SAVE THESE INSTRUCTIONS FOR FUTURE USE