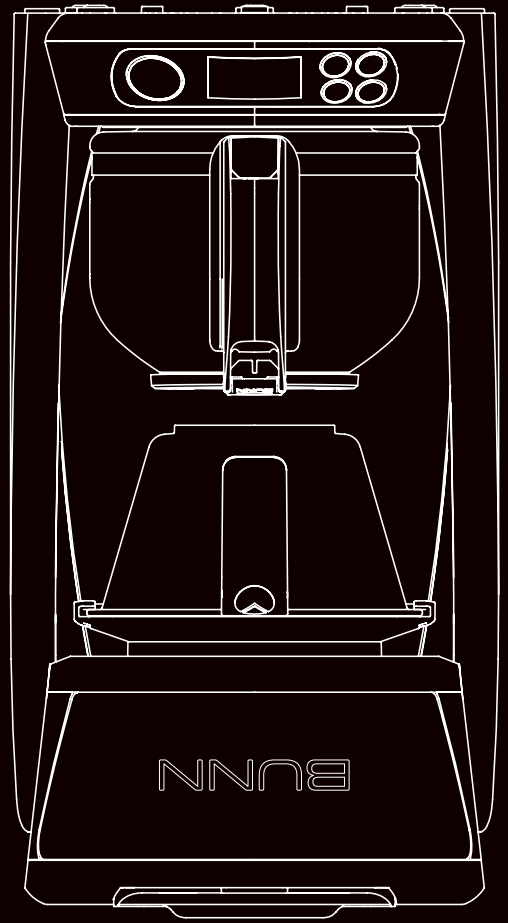


USE & CARE MANUAL

Model HB: 10 cup Coffee Brewer

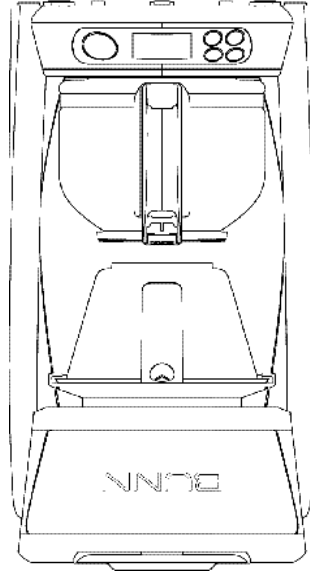


Congratulations on the purchase of this Golden Cup home coffee brewer as certified by the Specialty Coffee Association of America (SCAA).

Only coffeemakers that pass rigorous testing and requirements receive SCAA certification and BUNN is no stranger to these standards of coffee brewing. For sixty years BUNN commercial coffee brewing equipment has consistently delivered Golden Cup standards for restaurants and cafes around the world. This makes BUNN the ideal manufacturer to offer a home model that meets these same standards.

Building on our commercial brewing experience and scientific knowledge of coffee, BUNN has designed an exclusive brewing process that properly heats all water to the ideal brewing temperature of 200° F before it is evenly sprayed over the grounds. In contrast, the average drip coffeemaker inconsistently heats water and then slowly "burps" or "spits" the water over the grounds, often resulting in a bitter tasting cup of coffee. This new home brewer consistently delivers optimal flavor extraction in a full carafe of exceptional tasting coffee in about 10 minutes.

From that single cup at home to a stadium full of people BUNN keeps it simple when engineering brewing solutions: respond to what a customer needs for a specific serving situation and deliver the best quality in the cup for that occasion. Just as you would enjoy great tasting coffee at your favorite restaurant that chooses BUNN equipment, we hope you enjoy this Golden Cup coffee in your home.



GET TO KNOW YOUR BREWER

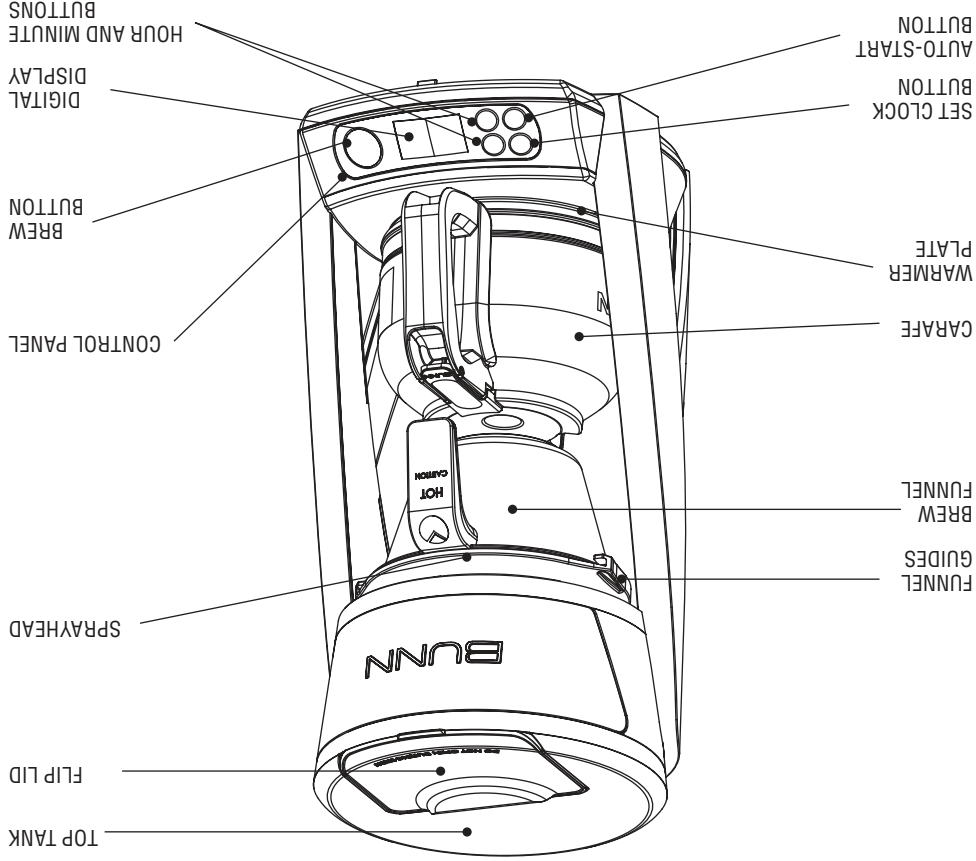


TABLE OF CONTENTS

1	Cleaning & Maintenance	8
2	Troubleshooting	6
3	Customer Support	7
4	How To Brew	4
5	Get To Know Your Brewer	1
6	Important Safeguards	2
7	Programming Your Brewer	3
8	Limited Warranty	8

SPECIFICATIONS

ELECTRICAL: UL and C-UL Listed for Household Use Only. This brewer has an attached, 3-prong grounded cord set and requires 2-wire service with ground, rated 120 volts AC, 11 amps, single phase, 60Hz, 1300 watts.

BREW CAPACITY: 4 – 10 cups per batch (20 – 50oz).

IMPORTANT SAFEGUARDS

Follow basic safety precautions when using electrical appliances to reduce the risk of fire, electric shock, and/or personal injury:

• READ ALL INSTRUCTIONS.

- Do not touch hot surfaces. Use handles.
 - To protect from electric shock, do not place cord, plugs, or brewer in water or other liquids.
 - Do not open lid during heating or brewing.
 - Close supervision is necessary when brewer is used by or around children.
 - Unplug from outlet when not in use and before cleaning. Let brewer cool before removing or replacing parts, and before cleaning.
 - Do not operate brewer with a damaged cord or plug or if the brewer malfunctions or is damaged in any way. Contact Customer Support (see page 7)
 - Using an accessory not evaluated for use with this brewer may cause injury.
 - Do not use outdoors.
 - Do not let cord hang over edge of table or counter or touch hot surfaces.
- Do not place brewer on or near a hot gas or electric burner or in a heated oven.
 - Do not use brewer for any purpose other than its intended use.
 - Do not remove brew funnel or carafe while brewing.
 - The carafe is designed for use with this appliance. Do not use carafe on a range top or in a microwave.
 - Do not set a hot carafe on a wet or cold surface.
 - Do not use a cracked carafe or a carafe with a loose or weakened handle.
 - Do not pour any liquid into the water tank other than water or vinegar for cleaning, as specified in this manual.
 - Do not clean carafe with cleansers, steel wool pads, or other abrasive materials.
 - When brewer is not in use, keep lid in the closed position.

SAVE THESE INSTRUCTIONS

Questions?

Please have your Model and Date Code ready when calling for service.

DATE CODE:

MODEL:

HB



Record the Model and Date code before using the brewer. The date code is located on the lower back of your prongs of your power cord - 4 digits are etched on each side of the metal prongs (Ex. 9999 99CH).

NOTE: Heating water to the ideal brewing temperatures naturally generates some steam. BUNN suggests using your Brewer in an open area, and never under cabinets that may be damaged over time by exposure to steam.

NOTE: The short power-supply cord supplied reduces the risk of becoming entangled in or tripping over a longer cord. Extension cords are available and may be used if care is exercised in their use. If an extension cord is used, its marked electrical rating must be at least as great as the electrical rating of the brewer. The longer cord should be arranged so it will not hang over the edge of a table or counter and that it cannot be pulled on by children or tripped over. The extension cord must be a 3-wire cord of the 3-prong, 3-socketed, grounding type (including grounding conductor).



TO REDUCE RISK OF FIRE OR ELECTRIC SHOCK DO NOT DISASSEMBLE THE BREWER NO USER-SERVICEABLE PARTS INSIDE REPAIR SHOULD BE DONE BY AUTHORIZED SERVICE PERSONNEL ONLY

 This symbol alerts you to the risk of fire or electric shock in the accompanying message.
 This symbol alerts you to important operating and service instructions.

Visit www.bunn.com or call USA 1-800-352-BUNN (2866) Canada 1-800-263-2256

PROGRAMMING YOUR BREWER

NOTE: You must set the clock to use the Auto-Start function. Remember to reset the clock for time changes and power outages.

SET CLOCK

1. Plug power cord into standard electrical outlet.
2. Display will flash for 10 seconds before setting automatically. (If not set, 12:00 AM becomes default time.)
3. Set time using H (hour) and M (minute) buttons.
4. Numbers scroll forward only.
5. Take care to select correct AM/PM time.
6. Press Clock button again to lock in time.



NOTE: The Auto-Start function must be activated each time you want to schedule a brew. If the Auto-Start button is not illuminated, the Auto-Start function is not activated.

AUTO-START (OPTIONAL)

1. Press Auto-Start button. H (hour) and M (minute) buttons will light up, time will flash on digital display.
2. Set time using H (hour) and M (minute) buttons. Numbers scroll forward only. Stop at desired Auto-Start time. Take care to select correct AM/PM time.
3. When desired time is on the digital display, press Auto Start button to activate. It will be set and Auto-Start will activate or wait 10 seconds and it will set automatically. Once activated, Auto-Start button will illuminate white.
4. Place BUNN coffee filter and coffee grounds into the Brew Funnel and slide into the Funnel Guides.
5. Fill brewer with 20 – 50oz of water and place Carafe on base of brewer (failure to follow steps 4 and 5 may result in property damage).

NOTE: To check your Auto-Start setting at idle, press the Auto-Start button twice and the digital display will flash the programmed time. The flashing time will remain the set time unless you change it. After 10 seconds with no buttons pushed, the Auto-Start button will illuminate and Auto-Start is set. To cancel, press Auto Start again.

HOW TO BREW



1. Place BUNN coffee filter into the Brew Funnel.



2. Measure fresh coffee into the filter, shaking gently to level the grounds.

How to get your Golden Cup

Water	Coffee
4 Cups/20 oz	32.5 grams ~2-3 tbsp
6 Cups/30 oz	48.9 grams ~3-4 tbsp
8 Cups/40 oz	64.9 grams ~4-5 tbsp
10 Cups/50 oz	81.4 grams ~5-6 tbsp

GOLDEN RATIO: 1 part coffee to 18 parts water

Note: if you are using whole beans, for better precision, weigh the coffee before it is ground. To more accurately fill the brewer, make sure the water meets (and not exceeds) the measuring step in the Top Tank.



3. Slide Brew Funnel into Funnel Guides.



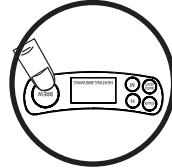
4. Fill Carafe with water – minimum 4 cups (20oz), maximum 10 cups (50oz).

Open Flip Lid on top of brewer; pour water into Top Tank. Close Flip Lid. Do not open lid during heating or brewing.

TIP: Pour in warm or hot water to decrease heating time.



5. Position Drip Free carafe on base under Brew Funnel.



6. Press Brew button to begin (~6 minute) Heating. Brewer is on when the red light around the Brew Button is illuminated. The Warmer Plate will turn on – and will automatically shut off after 2 hours.

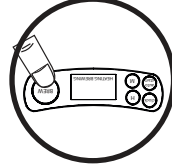
Digital display will read 'Heating'.



7. Brewing begins immediately after Heating is complete.

After final drip out, remove Brew Funnel and discard filter and grounds. Do not touch hot grounds.

To turn the Warmer Plate off when brewing completes, push the Brew Button (no red light visible).



8. Turning the Warmer Plate back ON.

Warmer plate will automatically shut off after 2 hours. Press & hold Brew Button for 3 seconds to turn back on.

CLEANING & MAINTENANCE

Wash the brew funnel and glass carafe after each use – both are top rack dishwasher safe. Occasionally wipe the outside of your brewer, including the area above the funnel, with a mild, non-citrus detergent and a damp cloth. While cleaning your brewer, check the glass carafe handle and tighten with a Phillips screwdriver if it's loose.

Therefore, it is very important to clean the internal system at least every 3 months or whenever the digital display shows “CLEAN” after a brew cycle is done. The higher the mineral content in the water you use, the more often you should clean. Regular internal system cleaning will prolong the life of your brewer and help guarantee an optimal brew result.



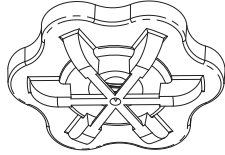
BUNN offers a complete line of brewer accessories including paper filters, glass carafes, thermal carafes, replacement funnels, and more.

Visit www.bunn.com to order parts and accessories, or call the BUNN Home Products Team at 1-800-352-BUNN (2866).

BUNN ACCESSORIES

Note: For a stronger clean, 100% white vinegar (5oz) can be used. Press the Brew button and let the machine heat for 4 minutes. Then press the Brew button to pause the machine. Let the vinegar soak for 30 minutes. Press the Brew button to restart the machine and finish brew cycle. Run 3 or more cycles with full carafes of water to flush remaining vinegar from brewer.

1. Remove the Sprayhead located above the Brew Funnel by turning with your fingertips.
2. Check the Sprayhead. If plugged with mineral deposits or white flakes, use a toothpick to remove. Clean the Sprayhead with a cloth and mild detergent. Rinse the Sprayhead with water.
3. Slide empty Brew Funnel into the Funnel Guides under the Sprayhead.
4. Open the Flip Lid on top of the brewer and fill brewer with equal parts of water and white vinegar solution (25 oz each).
5. Close the Flip Lid.
6. Place empty Carafe on the base Warmer Plate of brewer.
7. Let solution set for a few minutes.
8. Press the Brew button to cycle the vinegar solution through the brewer.
9. Empty carafe at end of cycle.
10. Run 3 or more additional cycles with full carafes of water to flush remaining vinegar solution from the brewer.
11. **Reinstall Sprayhead.**
12. To reset the “CLEAN” indicator, press and hold the “H” and “M” buttons for 3 seconds.



TROUBLESHOOTING

NOTE: Our friendly Customer Service Group is ready to help at 1-800-352-BUNN (2866) or online at www.bunn.com

PROBLEM	SUGGESTIONS
Brewer does not turn on	<ul style="list-style-type: none"> • Make sure brewer is plugged into a working outlet. • Press the Brew button to begin brew and red light will illuminate.
Coffee is not brewing	<ul style="list-style-type: none"> • Make sure brewer is plugged into a working outlet. • Make sure brewer is filled with water. A minimum of 4 cups (20oz) is needed to begin brewing. • Make sure brewer clock is set. • Press the Brew button to begin brew and red light will illuminate. • Check to see if Auto-Start time was programmed accurately.
Brew time is longer than usual	<ul style="list-style-type: none"> • Check Sprayhead holes for debris. Clean Sprayhead and perform Brewer Maintenance, see instructions on page 5.
Brew funnel overflows	<ul style="list-style-type: none"> • Be sure Brew Funnel is properly inserted. • Use BUNN paper filters – they are taller to prevent overflow. • Be sure Sprayhead is in place. • If overflow continues, contact BUNN for a Flow Restrictor Sprayhead.
Warmer plate stays on after brewing	<ul style="list-style-type: none"> • Warmer Plate automatically shuts off after 2 hours. To shut off manually, push the Brew button (red light will turn off). • To turn Warmer Plate back on, press & hold Brew button for 3 seconds.
PROBLEM	SUGGESTIONS
Brewer did not brew all cups	<ul style="list-style-type: none"> • Perform Brewer Maintenance, see instructions on page 5.
Off taste is detected	<ul style="list-style-type: none"> • Perform Brewer Maintenance, see instructions on page 5.
Error Code EE:03	<ul style="list-style-type: none"> • The brewer did not detect water. Check the top tank to make sure brewer is filled with water. • A minimum of 4 cups (20 oz) is needed to begin brewing.
Brewer did not brew all cups	<ul style="list-style-type: none"> • Approximately 2 oz of water is absorbed for every 1 oz of coffee.
Programmed Auto-Start did not work	<ul style="list-style-type: none"> • Make sure AM/PM was accurately selected. • Reprogram for Daylight Savings Time or a power outage if needed. • Make sure Auto-Start button is illuminated.
'CLEAN' indicator light appears on screen	<ul style="list-style-type: none"> • Perform Brewer Maintenance, see instructions on page 5. • To reset "CLEAN" indicator, press and hold "H" and "M" buttons for 3 seconds during idle.
Water drips through prior to completing Heating or before programmed time	<ul style="list-style-type: none"> • Lime or mineral build-up may prevent the valve between the Top Tank and Sprayhead from properly closing. Perform Brewer Maintenance, see instructions on page 5.

CUSTOMER SUPPORT

WWW.BUNN.COM

BUNN-O-MATIC CORPORATION

IN THE UNITED STATES:

1400 Stevenson Drive, Springfield, IL 62703
900 E. Townline Rd, Creston, Iowa 50801
1-800-352-BUNN (2866)

IN CANADA:

280 Industrial Parkway S, Aurora, Ontario L4G 3T9
1-800-263-2256

To receive full assistance, have the Model and Date Code ready when calling.

Record the Model and Date code before using: The model is located on the label at the bottom of the brewer. The date code is located on the metal prongs of your power cord - 4 digits are etched on each side of the metal prongs (Ex. 9999 99CH).

LIMITED WARRANTY

Bunn-O-Matic® warrants the BUNN® HB Coffee Brewer, except glass carafe, to be free from defects in materials and workmanship existing at the time of manufacture and appearing within the later of the following warranty periods:

(a) Three (3) years from the date of original purchase of a NEW BREWER; or

(b) In the case of a REPAIRED OR REPLACEMENT BREWER returned to Bunn-O-Matic before the new Brewer warranty has expired (1) year from the date REPAIRED OR REPLACEMENT BREWER is received by customer.

If such a defect appears during the warranty period, we will (at our sole option) repair or replace the defective Brewer with no charge for service or parts, provided Brewer is delivered at the customer's expense to one of our authorized service centers (see page 6 for customer service info).

Warranty does not cover claims resulting from misuse, failure to follow instructions on installation and use, use with water having a high mineral content, neglect, use of unauthorized attachments, commercial use, use on a current or voltage other than specified on the Brewer, or unauthorized service during the warranty period on conditions otherwise covered by warranty.

THIS WARRANTY SHALL BE EXCLUSIVE AND SHALL BE IN LIEU OF ANY OTHER WARRANTY, WRITTEN, ORAL, OR IMPLIED INCLUDING BUT NOT LIMITED TO ANY IMPLIED WARRANTY OF MERCHANTABILITY OR FITNESS FOR A PARTICULAR PURPOSE. In any event, the duration of any implied warranties, including but not limited to any implied warranties of merchantability or fitness for a particular purpose, is expressly limited to the period of duration of this limited warranty.

Some states do not allow limitation or exclusion of incidental or consequential damages, so the above limitation or exclusion may not apply to you.

This warranty gives you specific legal rights; you may have other rights, which vary from state to state.

TRADEMARKS

BUNN Pour-O-Matic, BUNN, BUNN with the stylized red line, The Horizontal Red Line, Bunn-O-Matic, Bunn-O-Matic, Velocity Brew, My Café, Speed Brew, Phase Brew, triecta, Air Infusion, Quality Beverage Equipment Worldwide, The Mark of Quality in Beverage Equipment Worldwide, A Partner You Can Count On, Brew Better Not Bitter, Brew better, not bitter, Coffee At Its Best, Nothing Brews Like a BUNN, Respect Earth, Respect Earth with the stylized leaf and coffee cherry design, are either trademarks or registered trademarks of Bunn-O-Matic Corporation.



The BUNN logo is a trademark of Bunn-O-Matic Corporation.
52774.0000A 6/16©2016 BUNN-O-MATIC CORPORATION
www.bunn.com

ENJOY

DISFRUTE

GARANTÍA LIMITADA

Bunn-O-Matic® garantiza que la Percoladora de Café BUNN® HB, excepto por la jarra de vidrio, estará libre de defectos en material y mano de obra al momento de su fabricación y que aparecerá dentro de la última de los siguientes períodos de garantía:

- a) Tres (3) años desde la fecha de la compra original de una PERCOLADORA NUEVA; o
- b) En el caso de una PERCOLADORA REPARADA O UN REEMPLAZO devuelta a Bunn-O-Matic antes de que expire la garantía de una Percoladora nueva (1) año desde la fecha de que la PERCOLADORA REPARADA O EL REEMPLAZO sea recibida por el cliente.

Si tal defecto aparece durante el período de la garantía, nosotros (como única opción) repararemos o reemplazaremos la Percoladora defectuosa sin cargo alguno por el servicio o las partes, siempre y cuando tal Percoladora se entregue a costo del cliente a uno de los centros de servicio autorizados (ver la página 6 por la información del servicio al cliente).

La garantía no cubre daños que resulten del mal uso, falta de seguimiento de instrucciones al momento de la instalación y uso, uso con agua de alto contenido mineral, negligencia, uso con accesorios no autorizados, uso comercial, uso con corriente o voltaje diferentes a los especificados en la Percoladora, o si se le dio servicio no autorizado durante el período de la garantía de condiciones cubiertas por la garantía.

ESTA GARANTÍA SERÁ EXCLUSIVA Y ESTÁ EN LUGAR DE CUALQUIER OTRA GARANTÍA, ESCRITA, ORAL, EXPLÍCITA O IMPLÍCITA, INCLUYENDO, PERO NO LIMITADA A, CUALQUIER GARANTÍA IMPLÍCITA DE COMERCIALIZACIÓN O IDONEIDAD PARA UN PROPÓSITO EN PARTICULAR.

En cualquier caso, la duración de cualquier garantía implícita, incluyendo, pero no limitado a cualquier garantía implícita de comerciabilidad o idoneidad para un propósito particular, está expresamente limitada al período de duración de esta garantía limitada.

Algunos estados no permiten limitaciones de tiempo de las garantías implícitas, por lo que la limitación anterior puede no aplicarse en su caso. El recurso exclusivo del cliente por incumplimiento de esta garantía o de cualquier garantía implícita o de cualquier otra obligación derivada de la aplicación de la ley o de otra manera, será limitada como aquí se especifica para su reparación o reemplazo, a nuestra única opción. En cualquier caso, la responsabilidad por daños especiales, incidentales y consecuentes se excluye expresamente.

Algunos estados no permiten limitaciones o exclusiones de daños incidentales o consecuentes, por lo que la limitación anterior puede no aplicarse en su caso.

Esta garantía le otorga derechos legales específicos; es posible que tenga otros derechos, que varían de estado a estado.

MARCAS REGISTRADAS

BUNN Pour-O-Matic, BUNN, BUNN with the stylized red line, The Horizontal Red Line, Bunn-OMatic, Bunn-O-Matic, Velocity Brew, My Café, Speed Brew, Phase Brew, trifecta, Air Infusion, Quality Beverage Equipment Worldwide, The Mark of Quality in Beverage Equipment Worldwide, A Partner You Can Count On, Brew Better Not Bitter, Brew better, not bitter., Coffee At Its Best, Nothing Brews Like a BUNN, Respect Earth, Respect Earth with the stylized leaf and coffee cherry design, son marcas comerciales o marcas comerciales registradas de la Corporación Bunn-O-Matic.



El Logo BUNN es marca registrada de la Corporación Bunn-O-Matic.
52774.0000A 6/16©2016 CORPORACIÓN BUNN-O-MATIC
www.bunn.com

ATENCIÓN AL CLIENTE

WWW.BUNN.COM

CORPORACIÓN BUNN-O-MATIC

EN LOS ESTADOS UNIDOS:

1400 Stevenson Drive, Springfield, IL 62703
900 E. Townline Rd., Creston, Iowa 50801
1-800-352-BUNN (2866)

EN CANADÁ:

280 Industrial Parkway S., Aurora, Ontario L4G 3T9
1-800-263-2256

Para recibir asistencia completa, tenga el Modelo y el Código de Fecha a la mano cuando llame.

Anote el Modelo y el código de Fecha antes de usar: El modelo está ubicado en la parte baja de atrás de su percoladora. El código de fecha está en las espigas de metal de su cable de energía – 4 dígitos grabados en cada lado de las espigas de metal (por ejemplo, 9999 99CH).

SOLUCIÓN DE PROBLEMAS

NOTA: Nuestro amigable Grupo de Servicio al Cliente está listo para ayudarle al 1-800-352-BUNN (2866) o en línea en www.bunn.com

PROBLEMA	SUGERENCIAS
La percoladora no enciende	<ul style="list-style-type: none">• Asegúrese de que la percoladora esté conectada a un tomacorriente que funcione.• Presione el botón de Percolación para iniciar la percolación y la luz roja se iluminará.
El café no está percolando	<ul style="list-style-type: none">• Asegúrese de que la percoladora esté conectada a un tomacorriente que funcione.• Asegúrese de que la percoladora se haya llenado con agua. Se necesita un mínimo de 4 tazas (20oz) para iniciar la percolación.• Asegúrese de que el reloj de la percoladora esté configurado.• Presione el botón de Percolación para iniciar la percolación y la luz roja se iluminará.• Revise para ver si la hora de Inicio Automático está programada correctamente.
El tiempo de percolación es más largo que lo usual	<ul style="list-style-type: none">• Revise los agujeros del Rociador por escombros. Limpie el Rociador y lleve a cabo el Mantenimiento de la Percoladora, vea las instrucciones en la página 5.
El embudo de percolación se derrama	<ul style="list-style-type: none">• Asegúrese de que el Embudo de Percolación esté correctamente colocado.• Use filtros de papel BUNN – son más altos para prevenir los derrames.• Asegúrese de que el Rociador esté en su lugar.• Si los derrames continúan, contacte a BUNN por un Rociador de Flujo Restringido.
La placa de calentamiento permanece encendida después de la percolación	<ul style="list-style-type: none">• La Placa de Calentamiento se apaga automáticamente después de 2 horas. Para apagarla manualmente, presione el botón de Percolación (la luz roja se apagará).• Para volver a encender la Placa de calentamiento, presione y mantenga presionado el botón de Percolación por 3 segundos.

PROBLEMA	SUGERENCIAS
El Inicio Automático programado no funcionó	<ul style="list-style-type: none">• Asegúrese de que AM/PM esté correctamente seleccionado.• Reprograme para el Horario de Verano o por un corte de energía, si es necesario.• Asegúrese de que el botón de Inicio Automático esté iluminado.
El indicador de 'LIMPIAR' aparece en la pantalla	<ul style="list-style-type: none">• Lleve a cabo el Mantenimiento de la Percoladora, vea las instrucciones en la página 5.• Para reiniciar el indicador de "LIMPIAR", presione y mantenga presionado los botones "H" y "M" por 3 segundos mientras la percoladora esté desocupada.
Pasa agua antes de que el Calentamiento se haya completado o antes de la hora programada	<ul style="list-style-type: none">• Cal o la acumulación de minerales pueden impedir que la válvula entre el Tanque Superior y el Rociador se cierre correctamente. Lleve a cabo el Mantenimiento de la Percoladora, vea las instrucciones en la página 5.
Se detecta un sabor desagradable	<ul style="list-style-type: none">• Lleve a cabo el Mantenimiento de la Percoladora, vea las instrucciones en la página 5.
Código de Error EE:03	<ul style="list-style-type: none">• La percoladora no detecta agua. Revise el tanque superior para asegurar que la percoladora esté llena de agua.• Se necesita un mínimo de 4 tazas (20 oz) para iniciar la percolación.
La percoladora no percoló todas las tazas	<ul style="list-style-type: none">• Aproximadamente 2 oz de agua son absorbidas por cada onza de café.

LIMPIEZA Y MANTENIMIENTO

Lave el embudo de percolación y la jarra de vidrio después de cada uso – ambos son aptos para lavavajillas en la rejilla superior.

Ocasionalmente limpie el exterior de su percoladora, incluyendo el área sobre el embudo, con un detergente suave, no cítrico y un paño húmedo. Mientras limpia su percoladora, revise el mango de la jarra de vidrio y apriete con un destornillador Phillips si está flojo.

Este sistema de percolación único es sensible a la acumulación de minerales del agua que utiliza. Por lo tanto, es muy importante limpiar el sistema interno al menos cada 3 meses o siempre que la pantalla digital muestre “LIMPIAR” después de que se lleve a cabo un ciclo de percolación. Cuanto mayor sea el contenido de minerales en el agua que utiliza, más a menudo debería limpiar. La limpieza regular del sistema interno prolongará la vida útil de su percoladora y ayudará a garantizar un resultado óptimo de percolación.

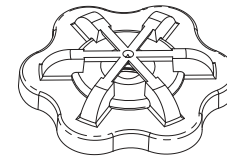


ACCESORIOS BUNN

BUNN ofrece una línea completa de accesorios de percoladora incluyendo filtros de papel, jarras de vidrio, jarras térmicas, embudos de reemplazo, y más.

Visite www.bunn.com para pedir partes o accesorios o llame al Equipo de Productos de Hogar BUNN al 1-800-352-BUNN (2866).

1. Quite el Rociador ubicado encima del Embudo de Percolación, girándolo con sus dedos.
2. Revise el Rociador. Si está tapado por depósitos minerales o escarcha blanca, use un palillo de dientes para quitarlo. Limpie el rociador con un paño y un detergente suave. Enjuague el rociador con agua.
3. Deslice el Embudo de Percolación vacío en las Guías del Embudo debajo del Rociador.
4. Abra la Tapa Abatible en la parte superior de la percoladora y llene la percoladora con una solución de partes iguales de agua y vinagre blanco (25 oz de cada uno).
5. Cierre la Tapa Abatible.
6. Coloque la Jarra vacía en la base de la Placa de Calentamiento de la percoladora.
7. Deje remojar con la solución por unos minutos.
8. Presione el Botón de Percolación para pasar la solución de vinagre a través de la percoladora.
9. Vacíe la jarra al final del ciclo.
10. Lleve a cabo 3 o más ciclos adicionales con jarras llenas de agua para lavar la solución de vinagre restante de la percoladora.
11. **Vuelva a colocar el Rociador.**
12. Para reiniciar el indicador de “LIMPIAR”, presione y mantenga presionado los botones “H” y “M” por 3 segundos.



Nota: Para una limpieza más profunda, puede usar vinagre blanco al 100% (50 oz). Presione el botón de Percolación y deje que la máquina caliente durante 4 minutos. A continuación, presione el botón de Percolación para detener la máquina. Deje remojar con el vinagre durante 30 minutos. Presione el botón de Percolación para reiniciar la máquina y terminar el ciclo de percolación. Lleve a cabo 3 o más ciclos con jarras llenas de agua para eliminar el vinagre restante de la percoladora.

CÓMO PERCOLAR



1. Coloque un filtro de café BUNN en el Embudo de Percolación.



2. Mida café molido fresco en el filtro, agitando suavemente para nivelar el café molido.

Como obtener su Taza de Oro

Agua

Café

4 Tazas/20 oz	32.5 gramos	~2-3 cdas
6 Tazas/30 oz	48.9 gramos	~3-4 cdas
8 Tazas/40 oz	64.9 gramos	~4-5 cdas
10 Tazas/50 oz	81.4 gramos	~5-6 cdas

COEFICIENTE DE ORO: 1 parte de café a 18 partes de agua

Nota: si está utilizando los granos enteros, para una mejor precisión, pese el café antes de molerlo. Para llenar la percoladora con más precisión, asegúrese de que el agua llegue (y no exceda) la marca de medición en el Tanque Superior.



3. Deslice el Embudo de Percolación sobre las Guías del Embudo.



4. Llene la Jarra con agua – mínimo de 4 tazas (20oz), máximo de 10 tazas (50oz).

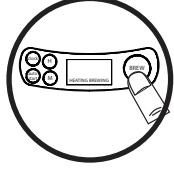
Abra la Tapa Abatible en la parte superior de la percoladora; vierta el agua en el Tanque Superior.

Cierre la Tapa Abatible. No abra la tapa durante el calentamiento o la percolación.

CONSEJO: Vierta agua tibia o caliente para disminuir el tiempo de calentamiento.



5. Coloque la jarra a Prueba de Goteos en la base debajo del Embudo de Percolación.



6. Presione el botón de Percolación para iniciar el Calentamiento (~6 minutos).

La percoladora está encendida cuando la luz roja alrededor del Botón de Percolación está iluminada.

La Placa de Calentamiento se encenderá – y se apagará automáticamente después de 2 horas.

La pantalla digital mostrará 'Calentando'.



7. La percolación inicia inmediatamente después de que el Calentamiento se haya completado.

La pantalla digital mostrará 'Percolando'.

Después de que termine de gotear, retire el Embudo de Percolación y deseche el filtro y el café molido. No toque el café molido caliente.

Para apagar la Placa de Calentamiento cuando termine la percolación, presione el Botón de Percolación (no se ve la luz roja).



8. Volver a ENCENDER la Placa de Calentamiento.

La placa de calentamiento se apagará automáticamente después de 2 horas. Presione y mantenga presionado el Botón de Percolación por 3 segundos para volver a encenderla.

PROGRAMAR SU PERCOLADORA

NOTA: Debe configurar el reloj para utilizar la función de Inicio Automático. Recuerde que debe reconfigurar el reloj por cambios de horario y cortes de energía.

CONFIGURAR EL RELOJ

1. Enchufe el cable de energía en un toma-corriente estándar.
2. La pantalla parpadeará durante 10 segundos antes de configurarse automáticamente. (Si no se configura, 12:00 am se convierte en la hora por defecto).
3. Configure la hora usando los botones H (hora) y M (minutos).
4. Los números sólo se desplazan hacia adelante.
5. Asegúrese de seleccionar la hora AM/PM correctamente.
6. Vuelva a presionar el botón del Reloj para fijar la hora.



NOTA: La función de Inicio Automático debe activarse cada vez que desee programar una percolación. Si el botón de Inicio Automático no está iluminado, la función de Inicio Automático no está activada.

INICIO AUTOMÁTICO (OPCIONAL)

1. Presione el botón de Inicio Automático. Los botones H (hora) y M (minuto) se iluminarán, la hora parpadeará en la pantalla digital.
2. Configure la hora usando los botones H (hora) y M (minuto). Los números sólo se desplazan hacia delante. Pare en el tiempo de inicio automático deseado. Asegúrese de seleccionar la hora AM/PM correctamente.
3. Cuando la hora deseada esté en la pantalla digital, presione el botón de Inicio Automático para activar. Se fijará y el Inicio Automático se activará o espere 10 segundos y se fijará automáticamente. Una vez activado, el botón de Inicio Automático se iluminará en blanco.
4. Coloque un filtro de café BUNN y café molido en el Embudo de Percolación y deslice en las Guías de Embudo.
5. Llene la percoladora con 20 a 50 oz de agua y coloque la Jarra en la base de la percoladora (no seguir el paso 4 y 5 puede resultar en daños a la propiedad).

NOTA: Para comprobar su configuración de Inicio Automático al estar desocupada, presione el botón de Inicio Automático dos veces y la pantalla digital parpadeará la hora programada. La hora que parpadea permanecerá como la hora programada, a menos que usted la cambie. Después de 10 segundos sin botones pulsados, el botón de Inicio Automático se iluminará y el Inicio Automático está fijo. Para cancelar, presione Inicio Automático de nuevo.

MEDIDAS DE SEGURIDAD IMPORTANTES

Siga las medidas básicas de seguridad al utilizar aparatos electrodomésticos para reducir el riesgo de incendio, descarga eléctrica y/o lesiones personales :

- **LEA TODAS LAS INSTRUCCIONES.**
- **No toque las superficies calientes. Use los mangos.**
- **No coloque el cable, enchufes o la percoladora en agua u otros líquidos.**
- **No abra la tapa mientras esté calentando o percolando.**
- **Se requiere supervisión de cerca cuando la percoladora se usa por o alrededor de niños.**
- **Desenchufe del tomacorrientes cuando no esté en uso y antes de limpiar. Permita que la percoladora se enfríe antes de remover o reemplazar partes, y antes de limpiarla.**
- **No use la percoladora si el cable o el enchufe están dañados o si la percoladora se avería o se daña de cualquier forma. Póngase en contacto con el Servicio al Cliente (vea la página 7).**
- **Usar un accesorio no evaluado para usarse con esta percoladora puede causar lesiones.**
- **No use en exteriores.**
- **No permita que el cable cuelgue sobre el borde de una mesa o mostrador o que toque superficies calientes.**
- **No coloque la percoladora en o cerca de un quemador de gas o eléctrico o en un horno caliente.**
- **No use esta percoladora para cualquier otro propósito distinto a aquél para el cual fue destinada.**
- **No quite el embudo de percolación o la jarra mientras se está percolando.**
- **No use la jarra en una estufa o en el microondas.**
- **No coloque una jarra caliente en una superficie mojada o fría.**
- **No use una jarra rajada o una jarra con un mango flojo y débil.**
- **No vierta cualquier líquido en el tanque de agua que no sea agua o vinagre para limpiar, como se especifica en este manual.**
- **No limpie la jarra con limpiadores, almohadillas de lana de acero u otros materiales abrasivos.**
- **Cuando la percoladora no esté en uso mantenga la tapa cerrada.**

GUARDE ESTAS INSTRUCCIONES

NOTA: El calentamiento del agua a la temperatura ideal para percolar naturalmente genera un poco de vapor. BUNN sugiere la utilización de su Percoladora en un área abierta, y nunca debajo de los gabinetes que pueden dañarse con el tiempo por la exposición al vapor.

NOTA: El cable eléctrico proporcionado es corto para reducir el riesgo de enredarse y tropezarse con un cable más largo. Hay cables de extensión disponibles y se pueden usar si se tiene cuidado en su uso. Si se usa un cable de extensión, la calificación eléctrica del cable deberá de ser como mínimo igual al de la calificación eléctrica de la percoladora. El cable más largo debe colocarse de modo que no cuelgue sobre la orilla de la mesa o del mostrador y de que no se pueda jalar por niños o causar un tropiezo. El cable de extensión deberá ser un cable de tres alambres del tipo con 3 clavijas, enchufe de 3 agujeros, con conexión a tierra, (Incluyendo conductor a tierra).

Anote el Modelo y el código de Fecha antes de usar: El modelo está ubicado en la parte baja de atrás de su percoladora. El código de fecha está en las espigas de metal de su cable de energía – 4 dígitos grabados en cada lado de las espigas de metal (por ejemplo 9999 99CH).

MODELO: **HB** _____

CÓDIGO DE FECHA: _____

Tenga su Modelo y el Código de Fecha a la mano al llamar por servicio.

¿Preguntas?

Visite www.bunn.com o llame USA 1-800-352-BUNN (2866) Canada 1-800-263-2256

**ADVERTENCIA**
RIESGO DE FUEGO O DESCARGA ELÉCTRICA

PARA REDUCIR EL RIESGO DE FUEGO O
DESCARGA ELÉCTRICA
NO DESARME LA PERCOLADORA NO CONTIENE
PIEZAS QUE EL USUARIO PUEDA REPARAR
LA REPARACIÓN DEBERÁ SER EFECTUADA POR
PERSONAL AUTORIZADO SOLAMENTE



Este símbolo le advierte del riesgo de incendio o descarga eléctrica en el mensaje que lo acompaña.



Este símbolo le advierte de importantes instrucciones operativas y de servicio.

ÍNDICE

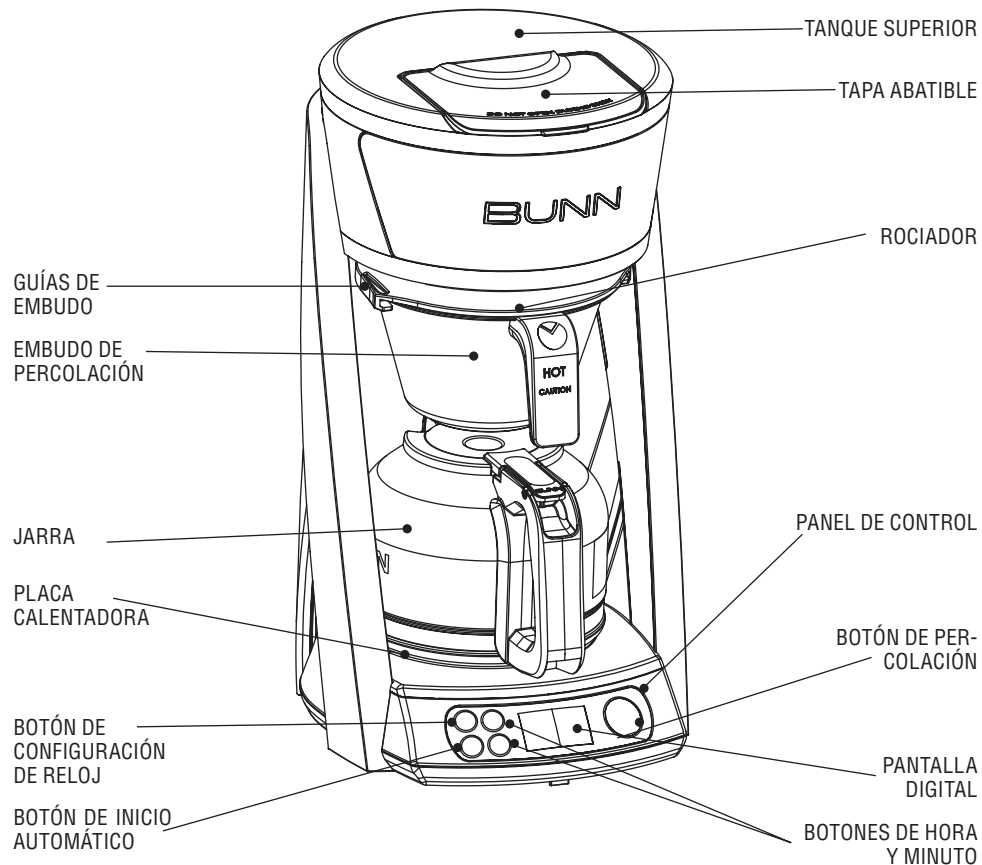
Conozca Su Percoladora.....	1	Limpieza y Mantenimiento.....	5
Medidas de Seguridad Importantes.....	2	Solución de Problemas.....	6
Programar Su Percoladora.....	3	Atención cliente.....	7
Como Percolar.....	4	Garantía Limitada.....	8

ESPECIFICACIONES

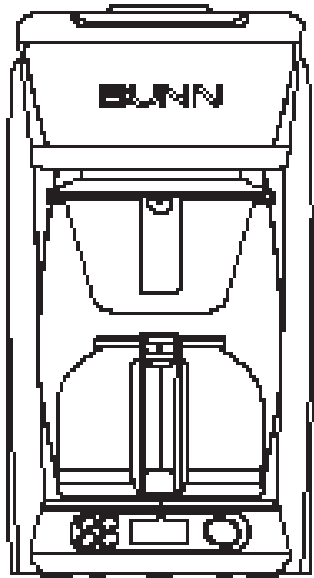
ELÉCTRICA: Enlistado en UL y C-UL sólo para uso doméstico. Esta percoladora tiene adjunto un cable de 3 clavijas conectado a tierra y requiere servicio de 2 alambres con tierra, clasificación nominal de 120 voltios de CA, 11 amperios, monofásica, 60Hz, 1300 vatios.

CAPACIDAD DE PERCOLACIÓN: 4 – 10 tazas por lote (20 – 50oz).

CONOZCA SU PERCOLADORA



NOTA: La tapa tapa de la jarra está empacada por separado de la percoladora y la jarra.



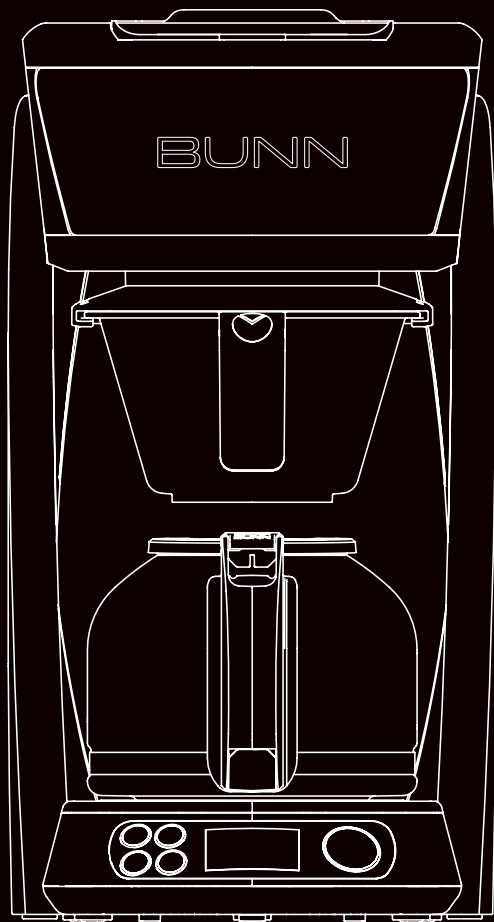
Felicitaciones por la compra de esta percoladora de café Taza de Oro para el hogar con certificación de la Asociación de Cafés Especiales de América (SCAA, por sus siglas en inglés).

Sólo percoladoras de primera que pasan las pruebas y los requisitos rigurosos reciben la certificación SCAA y BUNN no es ajeno a estas normas de percolación del café. Desde hace más de sesenta años BUNN ha estado fabricando equipos de percolación de café comercial que constantemente ofrecen los estándares de la Taza de Oro para los restaurantes y cafés de todo el mundo. Esto hace de BUNN el fabricante ideal para ofrecer un modelo de casa que cumpla con estos mismos estándares.

Basándonos en nuestro conocimiento de la percolación comercial, y conocimiento científico, BUNN ha desarrollado un proceso de fabricación exclusivo que calienta correctamente toda el agua a la temperatura de percolación ideal de 200° F antes de que se rocía sobre el café molido. Por lo contrario, la percoladora típica de goteo calienta el agua a una temperatura inconsistente y luego “eructan” o “escupen” el agua sobre el café molido lentamente, a menudo resulta en un café de sabor amargo. Esta nueva percoladora doméstica constantemente proporciona un óptimo sabor de extracción en una jarra llena de café de sabor excepcional en unos 10 minutos.

Desde ese taza singular en su hogar hasta un estadio lleno de gente BUNN lo mantiene simple al diseñar soluciones de percolación: responder a lo que el cliente necesita para esa situación de servicio en particular y proporcionar la mejor calidad en la taza para esa ocasión. De la misma forma que disfrutaría café de gran sabor en su restaurante favorito que elige equipo BUNN, esperamos que disfrute esta café Taza de Oro en su hogar.





MANUAL DE USO Y CUIDADO

Modelo HB: 10 taza de café percoladora