

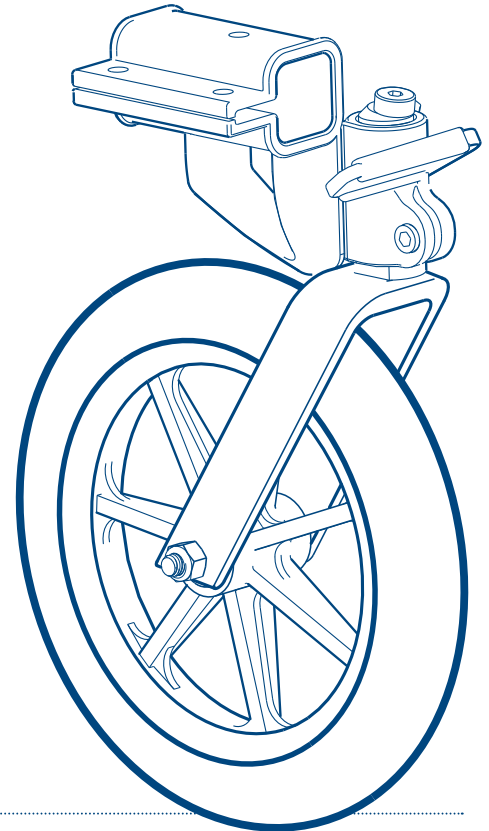
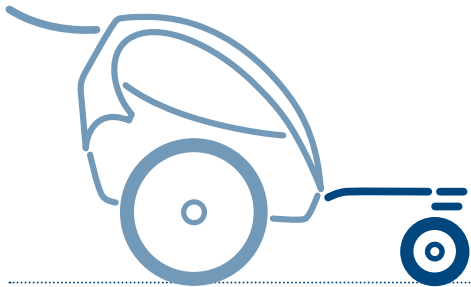


BURLEY®

**Burley Stroller Kit Owner's Instruction
and Safety Manual**

For D'Lite,™ Solo,™ Encore,™ Cub,™
Honeybee,™ and Tailwagon

stroller kit



Congratulations!

By purchasing the Burley Stroller Kit, you've increased the fun and excitement that you and your family can have with your Burley trailer.

Please go to www.burley.com or contact us at (541) 687-1644 or burley@burley.com to register your warranty information.

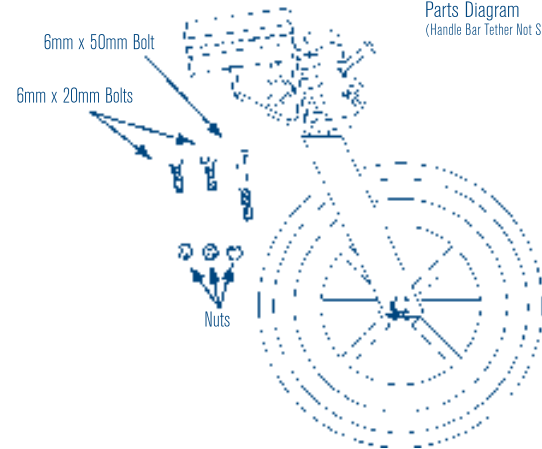
IMPORTANT: IT IS VERY IMPORTANT FOR YOU TO FAMILIARIZE YOURSELF WITH YOUR STROLLER ATTACHMENT BY READING THIS MANUAL BEFORE USE. IF YOU HAVE ANY QUESTIONS, PLEASE CONTACT US.

WARNING! FAILURE TO OBSERVE ALL OF THE SAFETY GUIDELINES IN THIS MANUAL AND YOUR BURLEY TRAILER MANUAL COULD RESULT IN AN ACCIDENT AND SERIOUS INJURY OR DEATH.

Safety Guidelines

1. Consult your child trailer manual for trailer safety guidelines.
2. Always use the handle bar tether.
3. When placing children or cargo into the trailer, keep the load centered and in front of the axle.
4. Always set the parking brake before releasing the handle. Make sure the parking brake is properly adjusted and working before use, especially after changing the tires or removing the wheels.
5. This product was designed for use on surfaces that are meant for walking. Do not use it on stairs, escalators or other uneven surfaces. Never use it with inline or roller skates.
6. Never leave your children unattended.

Figure 1
Parts Diagram
(Handle Bar Tether Not Shown)

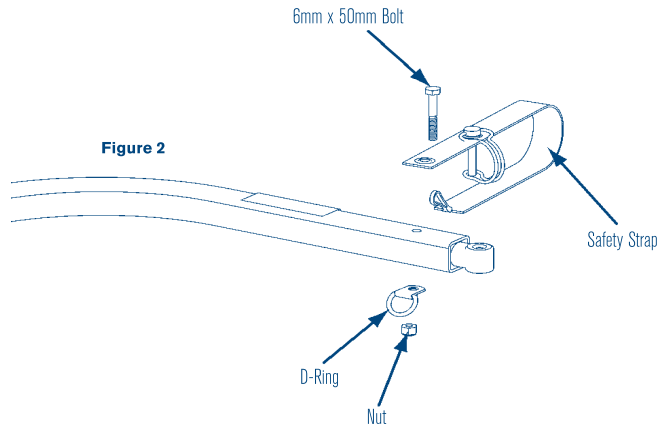


Tools Required:

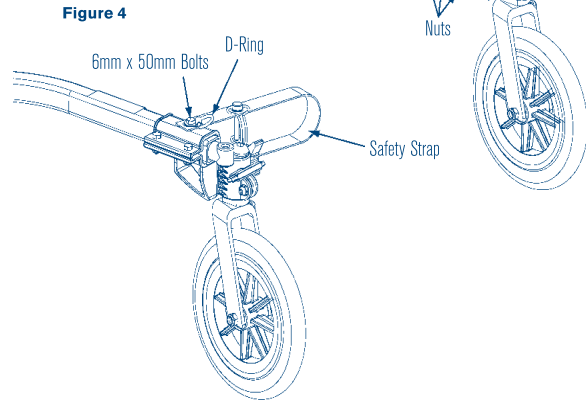
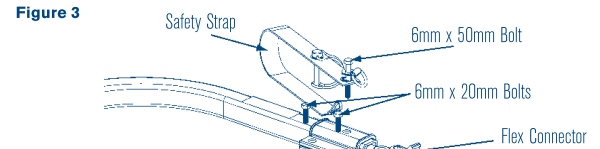
- (2) 10mm open end wrenches
- (1) 25mm (or 1") wrench
- (1) 5mm hex wrench

Installation

1. Remove tow bar from trailer.
2. Remove nut and bolt from tow bar end. Discard bolt and lock nut. Safety strap and D-Ring will be re-installed. **Figure 2**



3. Slide stroller kit onto tow bar. **Figure 3**



4. Place D-ring and safety strap on supplied 6mm x 50mm bolt. Line up holes in stroller kit, tow bar and flex connector and install bolt. Secure with nut. Install two shorter bolts through pivot assembly side and secure with nuts. **Figure 4**

5. Around handlebar center, slide tether strap end through small loop on other end of strap and tighten securely. **Photo 1**



Photo 1

6. Slide tow bar into trailer receptacles and line up **front** tow bar hole with rear receptacle hole. Insert retaining pin through both holes and lock retaining hoop securely. **Figure 5**
7. Test tracking adjustment by pushing trailer. Trailer should roll straight.

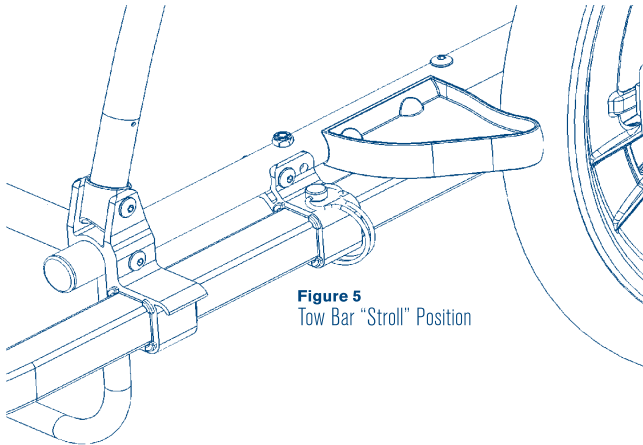
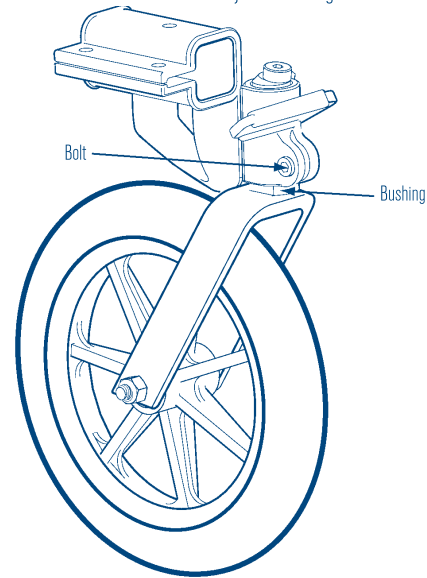


Figure 5
Tow Bar "Stroll" Position

To Adjust Tracking

1. Tighten knob to secure stroller wheel in "Stroll" position.
See Figure 6
2. Loosen bolt using 5mm hex wrench. **Figure 6**
3. Turn bushing using 25 mm (or 1") wrench so that stroller wheel is vertical when viewed from front.
4. Fine tune as necessary, so that trailer rolls straight.
5. Tighten bolt.

Figure 6
Adjust Tracking



To Convert from Strolling to Trailing

1. Engage parking brake and tighten knob to secure stroller wheel in "Bike" position. **Figure 7**

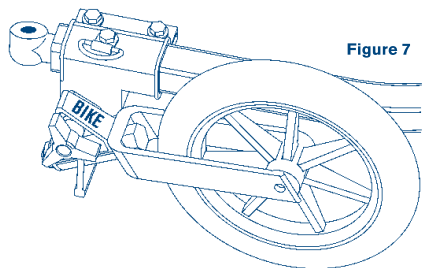


Figure 7

2. Line up **rear** tow bar hole with rear receptacle hole. Insert retaining pin through both holes and lock retaining hoop securely. **Figure 8**
3. Re-install the tow bar and hitch on the bike.

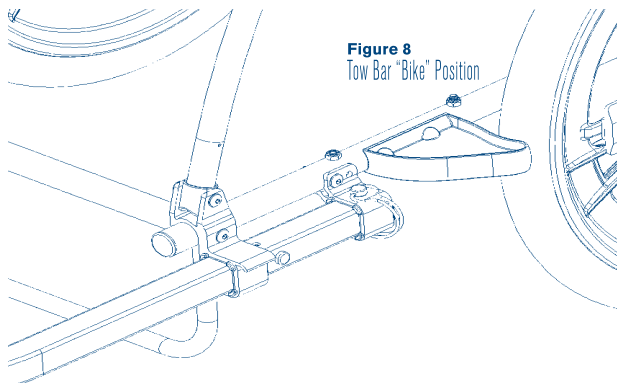


Figure 8
Tow Bar "Bike" Position

WARNING!



WHEN CONVERTING THIS ATTACHMENT FOR TRAILERING, MAKE SURE THAT STROLLER WHEEL IS IN PROPER POSITION BEFORE ATTACHING TRAILER TO YOUR BICYCLE. DO NOT USE THIS PRODUCT WITHOUT RETAINING PIN AND SAFETY STRAP PROPERLY INSTALLED. FAILURE TO FOLLOW THE INSTRUCTIONS IN THIS MANUAL AND YOUR TRAILER MANUAL CAN CAUSE AN ACCIDENT RESULTING IN SERIOUS INJURY.

Maintenance

- Lubricate stroller wheel assembly twice a year for normal use, or monthly if used in wet or salty conditions.
- Inspect handle, receivers, parking brake, and wheel monthly.
- Contact Burley to replace any damaged parts.

Burley Accessory Limited Warranty

This Burley accessory is warranted from the date of purchase against defects in materials and workmanship as follows: fabric parts for one year, frame and plastic parts for two years. Your original dated sales or delivery receipt showing the date of purchase is your proof of purchase.

If a defect in materials or workmanship is discovered during the Limited Warranty period, we will, at our sole option, repair or replace your product at no cost to you. This warranty is only valid in the country in which the product was purchased.

The Limited Warranty extends only to the original retail purchaser of this product and is not transferable to anyone who obtains ownership of the product from the original purchaser.

The Limited Warranty does not cover claims resulting from misuse, failure to follow the instructions, installation, improper maintenance and use, abuse, alteration, involvement in an accident, and normal wear and tear.

The Limited Warranty does not cover products which are used in rental operations and Burley will not be liable for any incidental or commercial damages relating to such use.

TO THE GREATEST EXTENT PERMITTED BY LAW, THIS LIMITED WARRANTY IS EXCLUSIVE AND IN LIEU OF ANY OTHER WARRANTY, WRITTEN OR ORAL, INCLUDING BUT NOT LIMITED TO ANY EXPRESS OR IMPLIED WARRANTY OF MERCHANT- ABILITY OR FITNESS FOR A PARTICULAR PURPOSE. The duration of any implied warranties, including any implied warranty of merchantability or fitness for a particular purpose that may exist during the express warranty period is expressly limited to the limited warranty period.

Some states and countries do not allow limitations on how long an implied warranty lasts; therefore, the above limitations and exclusions may not apply to you.

THE CUSTOMER'S EXCLUSIVE REMEDY FOR BREACH OF THIS LIMITED WARRANTY OR OF ANY IMPLIED WARRANTY OR OF ANY OTHER OBLIGATION ARISING BY OPERATION OF LAW OR OTHERWISE SHALL BE LIMITED AS SPECIFIED HEREIN TO REPAIR OR REPLACEMENT, AT OUR SOLE OPTION. IN ANY EVENT, RESPONSIBILITY FOR SPECIAL, INCIDENTAL AND CONSEQUENTIAL DAMAGES IS EXPRESSLY EXCLUDED.

Burley Accessory Limited Warranty Continued

Some states do not allow the exclusion or limitation of incidental or consequential damages, so the above limitation or exclusion may not apply to you.

This Limited Warranty gives you specific legal rights, and you may have other rights that vary from state to state or country.

For warranty service or replacement part information for the USA or Canada, please contact Burley directly by calling 800-311-5294 or emailing burley@burley.com. For warranty service or replacement part information outside the USA and Canada please contact the place of purchase for warranty service. Please be prepared to provide the product model, serial number and a description of the warranty issue.

Some replacement parts may be available for purchase after this limited warranty expires. Please visit us at www.burley.com or call us at 541-687-1644 for more information.



BURLEY[®]

BURLEY DESIGN, LLC

Eugene, OR 97402

PH 541.687.1644 800.311.5294 FAX 541.687.0436

burley@burley.com • www.burley.com

© 2007 Burley Design LLC

Burley is a registered trademark of Burley Design LLC

Rev 01/11. 170053 manual stroller kit 08 r2