



# **PRIME L20 TRAIL CAMERA**

## **INSTRUCTION MANUAL**

Model #119930B

04-21

# IMPORTANT NOTE

Congratulations on your purchase of one of the best trail cameras on the market! Bushnell is very proud of this little unit and we are sure you will be pleased with it as well. We appreciate your business and want to earn your trust. Please refer to the notes below and the instructions in this manual to ensure that you are completely satisfied with this product.

If your Bushnell Prime L20 Trail Camera does not seem to be functioning properly or if you are having photo/video quality issues, **please check the Troubleshooting/FAQ section.** Problems are often due to something simple that was overlooked, or require only changing one setting to solve.

If your problem continues after trying the solutions in the Troubleshooting/FAQ section, **please call Bushnell Customer Service at (800) 423-3537.** In Canada, call (800) 361-5702. For EU owners, email: [contact@bushnell.eu](mailto:contact@bushnell.eu)

Bushnell recommends using 6 Energizer® Lithium AA batteries in this Prime L20 Trail Camera model to obtain maximum battery life.

Do not mix old and new batteries.

Do not mix battery types-use ALL lithium or ALL alkaline.

Rechargeable batteries are NOT recommended.

Bushnell recommends using SanDisk® SD and SDHC Cards (up to 32GB capacity) in all Prime L20 Trail Cameras.

## INTRODUCTION

About the Prime L20 Trail Camera

The **Bushnell Prime L20 Trail Camera** is a digital scouting camera. It can be triggered by any movement of game in a location, detected by a highly sensitive Passive Infra-Red (PIR) motion sensor, and then take high quality pictures (up to 20MP still photos), or 720p HD video clips. The **Prime L20 Trail Camera** consumes very little power (less than 0.08 mA) in a stand-by (surveillance) state. This means it can deliver up to twelve months stand-by operation time when the device is powered by six AA alkaline batteries. Once motion in the monitored area is detected, the digital camera unit will be triggered at once (typically less than half a second) and then automatically take images according to previously programmed settings. The **Prime L20 Trail Camera** is equipped with built-in infrared LEDs that function as a flash, so that it delivers clear photos or videos (in black & white) even in the dark, and it can take color photos or videos under sufficient daylight. The **Prime L20 Trail Camera** is designed for outdoor use and is resistant against water and snow.

## Applications

The **Prime L20 Trail Camera** can be used as a trail camera for hunting or scouting game. It is also suitable for surveillance usage.

## PARTS AND CONTROLS

The **Prime L20 Trail Camera** provides the following connections for external devices: USB port and SD card slot **(Fig. 4)**.

A 3-way power switch is used to select the main operating modes: OFF, AIM, and ON **(Fig. 3)**.

A D-Pad interface with 5-way keys is primarily used in AIM mode to select operational functions and parameters. As shown in **Fig. 3**, these keys are: UP, DOWN, and OK. Two of the keys can also perform a second function (shortcut operations in AIM mode) in addition to their main function: The DOWN key can be used to set the camera to Photo mode (still camera icon), and the UP key can set the camera to Video mode (movie camera icon).

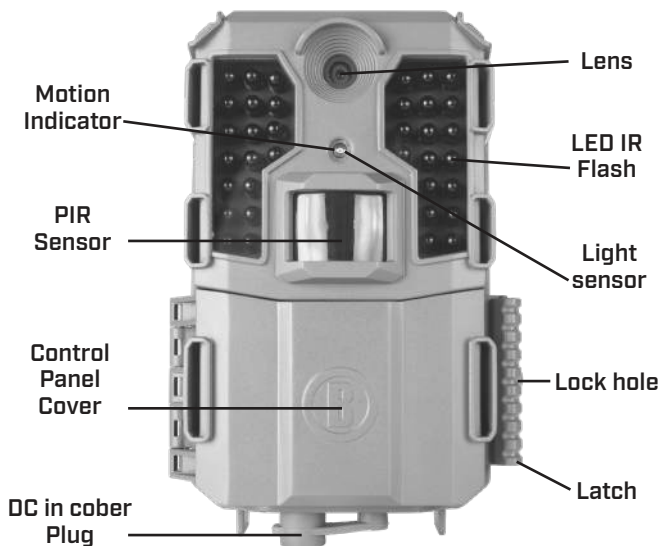


Fig. 1

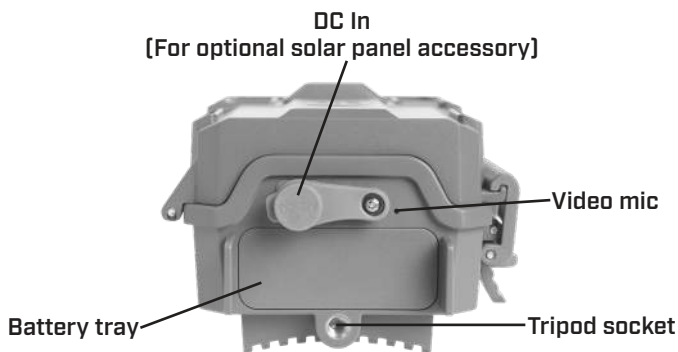
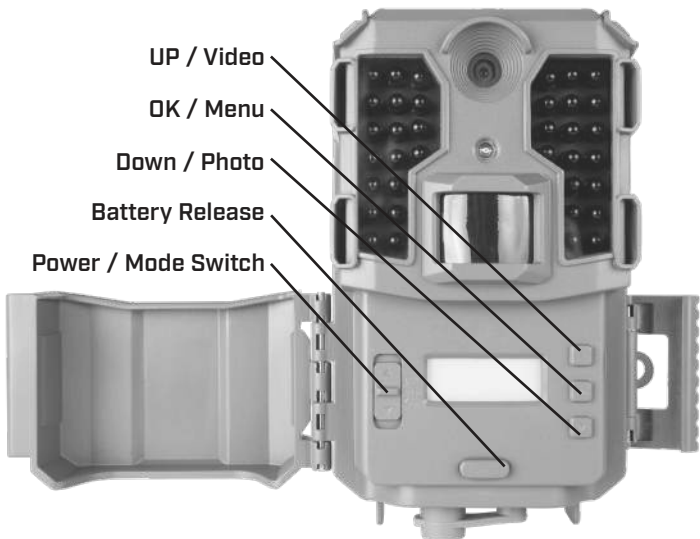
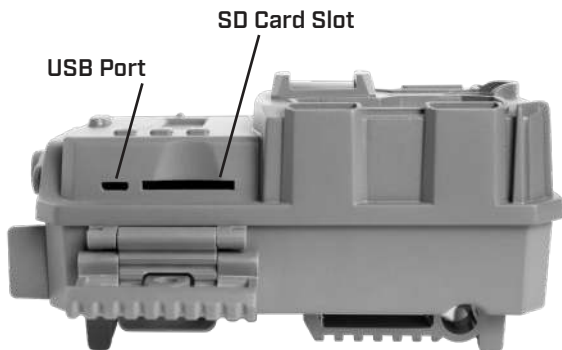


Fig. 2



**Fig. 3**



**Fig. 4**

## INSTALLING THE BATTERIES AND SD CARD

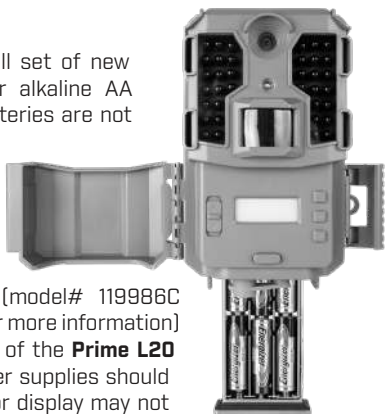
Before you begin learning how to use your **Prime L20 Trail Camera**, you will first need to install a set of batteries and insert an SD card. Although that may only take you a minute, there are some important notes about both batteries and SD cards you should be aware of, so please take the time to read the following directions and cautions:

### Loading Batteries

After opening the latch on the right side of the **Prime L20 Trail Camera**, you will see that the **Prime L20 Trail Camera** has a battery release button. Depress this button and a battery tray will drop out of the bottom of the camera. The battery tray will stop about  $\frac{1}{2}$  inch out of the device, this is a latch system to prevent the tray from dropping onto the ground. Just apply a little pressure when pulling and the tray will release. The battery tray has six battery slots. Install a full set of 6 batteries. Be sure to insert each battery with correct polarity (negative or “flat” end against the long spring of each battery slot).

Bushnell recommends using a full set of new lithium AA (Energizer® brand) or alkaline AA batteries. NiMh Rechargeable batteries are not recommended, as the lower voltage they produce can cause operational issues.

You can also connect an optional Solar Panel accessory (model# 119986C –please visit [www.bushnell.com](http://www.bushnell.com) for more information) to the “DC In” jack at the bottom of the **Prime L20 Trail Camera** (other external power supplies should not be used, as the camera and/or display may not function correctly). If the solar panel is connected and AA batteries are installed, the **Prime L20 Trail Camera** will be powered by the solar panel’s rechargeable lith-ion battery, as long as it provides adequate voltage (if not, the camera will switch to battery power). The solar panel’s battery will power the camera at night.



## Inserting the SD Card

Insert the SD card (with the camera's power switch in the OFF position) before beginning to operate the camera. Don't insert or remove the SD card when the power switch is in the ON position.

The **Prime L20 Trail Camera** uses a standard SD (Secure Digital) memory card to save photos (in .jpg format) and/or videos (in .avi format). SD and SDHC (High Capacity) cards up to a maximum 32GB capacity are supported. Before inserting the SD card into the card slot after opening the camera's front cover, please make sure that the write-protect switch on the side of the card is "off" (NOT in the "Lock" position).

The following describes how to insert and remove the SD card:

- Insert the SD card into the card slot with its label side upwards (see below). A "click" sound indicates that the card is installed successfully. If the wrong side of the card is facing up, you will not be able to insert it without force—there is only one correct way to insert cards. If the SD card is not installed correctly, the device will not display an SD card icon on the LCD in SETUP mode (the SD card icon displayed after switching to SETUP mode will have a "lock" symbol inside it if the card is locked). Formatting the SD card by using the **Prime L20 Trail Camera** "Format" parameter before using it for the first time is recommended, especially when a card has been used in other devices (see "Changing Menu Parameter Settings" for details).

- To take out the SD card, just gently push in the card (do not try to pull it out without pushing in first). The card is released from the slot and ready to be removed when you hear the click. Be sure the camera's power is switched OFF before inserting or removing SD cards or batteries.



## USING THE Prime L20 Trail Camera

Once you've prepared your **Prime L20 Trail Camera** by properly installing batteries and an SD card, you could simply take it outside, strap it to a tree, switch it on and leave-and you might get some great photos that are exactly what you wanted.

However, we highly recommend that you first spend some additional time indoors with this manual and your camera until you know a bit more about what the 3-way switch and direction keys do. If nothing else, you'll probably want to at least set the date and time so the camera will imprint them (or not-it's your option) on your photos as they are taken, learn how to set the camera to shoot video clips instead of still photos if you like, and read some tips about mounting it on a tree.

## THE OFF, ON, AND AIM MODES

The **Prime L20 Trail Camera** has three basic operational modes:

- OFF mode: Power switch in the OFF position.
- ON mode: Power switch in the ON position (LCD screen is off.)
- AIM mode: Power switch at AIM position (LCD screen is on).

## OFF MODE

The OFF mode is the “safe” mode when any actions must be taken, e.g., replacing the SD card or batteries, or transporting the device. You will also use OFF mode if you connect the camera to a computer's USB port later to download your photos/videos. And of course, when you are storing or not using the camera, you will switch it to OFF. Please note that even in the OFF mode the **Prime L20 Trail Camera** still consumes power at a very low level. Therefore, it's a good idea to take the batteries out of the battery compartment if the camera will not be used for a long time.

## ON MODE

Any time after the batteries and SD card have been inserted, you can switch on the camera. When the power switch is moved to the far left position, the camera will enter into the ON (Live) mode. The motion indicator LED (**Fig.1**, “Front View”) will blink red for about 10 seconds. This interval allows time for you to close the **Prime L20 Trail Camera's** front cover, lock it, and leave the monitored area. Once in the ON mode, no manual controls are needed or possible (the control keys have no effect). The **Prime L20 Trail Camera** will take photos or videos automatically (according to its current parameter settings) when it is triggered by the PIR sensor's detection of activity in the area it covers.

You can either move the power switch directly from OFF to ON mode, or stop at the AIM position first to change one or more settings, then move the switch to ON after you have finished doing so.

## AIM MODE

In the AIM mode you can check and change the settings of the Prime Trail Camera with the help of its built-in LCD. These settings, found in the SETUP Menu, let you change the photo or video resolution, interval between photos, switch the time imprint on, etc. Moving the power switch to the AIM position will turn on the LCD display, and you will see an information screen that shows how many images have been taken, the battery level, camera or video mode, etc.

NOTE: Always move the power switch from OFF to AIM mode. It is possible that the camera could lockup if it is switched from ON to AIM mode. If this occurs, simply move the switch to OFF and then push it up to AIM again.

## SETUP MODE

Once batteries are installed and an SD card is inserted, you're ready to go into the Setup Mode to get the camera ready to use, with all options set to your preferences. While this can be done in the field (no computer or internet access is needed), most users will likely want to setup the camera at home, in advance. There are only a few settings to make, so the process is quick and easy. To start setting up your **Prime L20 Trail Camera**:

1. To enter Setup Mode, move the Power Switch to the middle (AIM) position. The display will come on and show the initial Setup screen.



Note: Don't worry if you notice the STATUS LED flashing during the Setup process-this is normal, as the AIM position of the switch has a second function that will be covered later in this manual.

2. Press the OK key to begin. When the display flashes, you can use the UP and DOWN keys to change the setting of the currently selected option or item.

3. When you finish changing a setting (or leaving it set "as is"), press OK to lock in the setting and move on to the next option/item. If there is a setting that you don't need or want to change from the default or current setting, simply press OK to confirm and skip to the next item/option. Once you go through the Setup Mode items and change a few settings, you'll quickly see how this works.

## Setting Time and Date

After the Initial Setup screen, the next few display screens will allow you to set the current time and date, so the time/date stamp imprinted on all your photos and videos will be accurate when captured by the camera. To change the Time and Date to be current, starting at the default “12 : 00” screen:



1. Press OK and use UP/DOWN to set the hour [24 hr/military time format]. Press OK to confirm.
2. Use UP/DOWN to set the minute. Press OK to confirm.
3. Use UP/DOWN to set the month. Press OK to confirm.
4. Use UP/DOWN to set the date. Press OK to confirm.
5. Use UP/DOWN to set the year. Press OK to confirm and move on to the next Setup item, Interval Time.

## Setting Interval (Detection Delay) Time

The Interval or Detection Delay option lets you set the time between captured images when an animal remains within the camera's sensor range after it is first detected and the camera is triggered. Use UP/DOWN to select 5 sec [display shows “00:05”], 15 sec [default value], 30 sec, 1 min [display shows “01:00”] or 5 min. Press OK after setting.



### Setting Capture Mode (1 photo, 3 photos, or video)

Use UP/DOWN to select your preferred image capture mode: Single Photo per trigger [display shows 1 + a still camera icon], Rapid Sequence of 3 Photos per trigger [display shows a still camera icon + 3] or Video Clips that are 10 seconds long at 720p resolution [display shows a movie camera icon]. Press OK after setting.



### Setting Camera ID# (if using multiple cameras)

Use UP/DOWN to select a reference ID# [from "01" to "99"] for this camera, which will be imprinted on all photos/videos along with the time & date. If you are only using a single camera to monitor an area, simply leave it set to the default "Id : 01". Set a second camera that will be used in a group of multiple cameras to "02", etc. Press OK after setting.



### SD Card Format (delete all files)

The display will show "FO r N". CAUTION: be sure to backup and save any/all files you want to keep first, as formatting will clear the card completely of all files-they will then be difficult or impossible to recover from the card.

If you are sure you want to format a previously used card, use UP/DOWN to change the "N" after "FO r\_" to "Y" [Yes], then press OK to confirm and delete all files from the card.



## Restore Default Settings (initialize camera setup)

The display will show “dEFN”. To return the Interval, Capture Mode, and Camera ID# to their original, “factory default” settings, use UP/DOWN to change the “N” after “dEF\_” to “Y” [Yes], then press OK to confirm. Note: your time and date settings and camera ID# will not be changed from their current settings to the original defaults, and your SD card will not be formatted. Only the Interval and Capture Mode settings will be restored to their defaults.



## MOUNTING AND POSITIONING

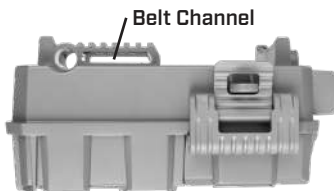
### Mounting

After you've set up the camera's parameters to your personal preferences at home or in your truck, you're ready to take it outside and slide the power switch to “ON”. When setting up the **Prime L20 Trail Camera** for scouting game or other outdoor applications, you must be sure to mount it in place correctly and securely. We recommend mounting the **Prime L20 Trail Camera** on a sturdy tree with a diameter of about 6 in. [15cm]. To get the optimal picture quality, the tree should be about 16-17 ft. [5 meters] away from the place to be monitored, with the camera placed at a height of 3.5-5 ft. [1-1.5 m]. Also, keep in mind that you will get the best results at night when the subject is within the ideal flash range, no farther than 100' [30m] and no closer than 10' [3m] from the camera.

There are two ways to mount the Prime L20 Trail Camera: using the provided adjustable web belt, or the tripod socket.

Using the adjustable web belt: **Fig. 5** illustrates using the web belt on the Prime Trail Camera. Push one end of the belt through the two brackets on the back of the Prime Trail Camera. Thread the end of the strap through the buckle. Fasten the belt securely around the tree trunk by pulling the end of the strap firmly so there is no slack left.

**Fig. 5:** Attaching the Belt



Using the tripod socket: The camera is equipped with a socket at the bottom end to enable mounting on a tripod or other mounting accessories with a standard 1/4-20 thread.

Note: an accessory solar panel supplemental power source (#119986C) is also available - please visit [www.bushnell.com](http://www.bushnell.com) for more information.

### **Sensing Angle and Distance Test**

To test whether the **Prime L20 Trail Camera** can effectively monitor the area you choose, this test is recommended to check the sensing angle and monitoring distance of the **Prime L20 Trail Camera**. To perform the test:

- Switch the **Prime L20 Trail Camera** to the AIM mode.
- Make movements in front of the camera at several positions within the area where you expect the game or subjects to be. Try different distances and angles from the camera.
- If the motion indicator LED light blinks, it indicates that position can be sensed. If it does not blink, that position is outside of the sensing area. The results of your testing will help you find the best placement when mounting and aiming the **Prime L20 Trail Camera**. The height away from the ground for placing the device should vary with the animal size appropriately. In general, 3 to 6 feet is preferred.

You can avoid potential false triggers due to temperature and motion disturbances in front of the camera by not aiming it at a heat source or nearby tree branches or brush (especially on windy days).

### **Switching ON the Camera**

Once you switch to the ON mode, the motion indicator LED (red) will blink for about 10 seconds. This gives you time to close and lock the front cover of the **Prime L20 Trail Camera** and then walk away. During this time, the motion indicator LED will blink red continuously. After it stops blinking, the PIR is active, and any motion that is detected by it will trigger the capture of photos or videos as programmed in the SETUP Menu. Be sure you have read the descriptions of the Capture Number, Video Length, Interval and Sensor Level parameters. Please note, the PIR is strongly sensitive to ambient temperature. The greater the temperature difference between the environment and your subject, the farther the possible sensing distance. The average sensing distance is about 60 ft. Before leaving the camera unattended, please check for the following:

- Are the batteries inserted with correct polarity and is their power level sufficient?
- Does the SD card have sufficient available space and is its write-protection (lock) switch off?
- Is the Power switch in the ON position? (do not leave it in AIM).

## **PLAYING BACK/DELETING THE PHOTOS/VIDEOS**

After you have setup, mounted and activated your **Prime L20 Trail Camera**, you will of course be eager to return later and review the images it has captured for you. There are several different ways this can be done.

### **Reviewing Images Directly From the SD Card**

This is the most popular method of viewing images. Since unmounting the camera and taking it to your computer isn't very convenient, you may find it easier to just take the card out. By removing the SD card (swapping it for a new empty card if you like) and taking it to your home or campsite to view the images by using an SD card "reader" (user supplied) connected to your computer (some computers and TVs have a built in SD card slot), you can leave the camera in place ready to capture more images. Once connected, the card reader works the same way as described below- please read that section if you have any problem finding your files.

### **Reviewing Images by Connecting the Camera to a Computer**

You can always unmount the entire camera from the tree and connect its USB port to a computer-it will be recognized as a "removable disk", without the need to install any drivers or software. When using a PC (or Mac\*) to view photos (or video clips\*), first connect the device to the computer with a USB cable (not included, available at most electronics/computer retailers) that has a "Micro-B" USB plug on one end (camera) and a "Standard-A" USB plug at the other end (computer). Then use commercial software with an image browser feature, or an image browser included with the PC's operating system to view images saved on the SD card in the folder \DCIM\100EK001. Each new image or video will be numbered incrementally in order of the time it was captured (first four digits are the same "DCIM"). For example, you will see file names such as "DCIM0001.JPG" or "DCIM0001.AVI". Through the file format suffix you can distinguish whether the file is a still photo (with suffix .JPG) or a video (with suffix .AVI).

The **Prime L20 Trail Camera** supports 2 kinds of file system formats, FAT16 and FAT32. The default value is FAT32 to save photos and videos.

Here are some related notes:

- You don't need to be concerned about the file system format of the **Prime L20 Trail Camera** unless your equipment has problems reading the SD card. If this happens, please format the SD card with the Prime Trail Camera or in your computer first and then insert the card into your **Prime L20 Trail Camera** and try again.

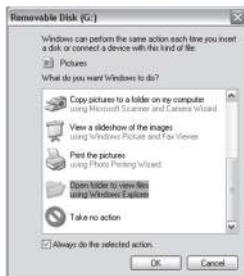
- The default file system format of the **Prime L20 Trail Camera** is FAT32, which most computers can read. If you format an SD card for the **Prime L20 Trail Camera** in your computer, you should choose the file system format FAT32. Normally FAT32 is recommended unless you have another image viewer that uses FAT16 format.

### Deleting Photos or Videos

All files may be deleted from the card by using the Format parameter.  
NOTE: after formatting the card, the deleted files can't be restored!

### DOWNLOADING THE PHOTOS/VIDEOS

To download your photos/videos to a PC or Mac\*, first make sure the **Prime L20 Trail Camera** power switch is in the OFF position. Connect a USB cable to the camera's USB port, then directly to a main USB port on your computer-do not use front panel/keyboard USB ports or unpowered "hubs". The **Prime L20 Trail Camera** will be recognized as a standard "USB Mass Storage" device [this may take several seconds the first time you connect it]. If you would rather leave your camera in the woods and just pull its SD card out, an SD card reader works the same way as described in this section once the card is inserted and the reader is connected to your computer. With Windows XP or later, you can then simply use the options in the pop-up window to copy, view, or print your photos [right]. On all Windows OS, the **Prime L20 Trail Camera** will also be listed as a "Removable Disk" if you open the "MyComputer" window (on Macs, an icon will appear on your desktop). The Prime Trail Camera's photo files are named "DCIM0001.- JPG" etc, and are located in the "DCIM\100EK001" folder on this "Removable Disk". Video file names will end with ".AVI". You may copy the photos/videos to your hard drive as you would any file- just copy/paste or drag the file names or icons to your drive or desktop.



After the photos are copied to your hard drive, you can disconnect the **Prime L20 Trail Camera**. (On Mac computers, drag the “disk” that appeared on your desktop when the camera was connected into your Trash to “eject” it before disconnecting.) The .jpg standard files from the **Prime L20 Trail Camera** may be viewed and edited with any photo software you choose to use. The .avi video files may be viewed with Windows Media Player (version 7 or later) as well as other video playback programs that may have been supplied with your computer, or are available online.

## **TROUBLESHOOTING / FAQ**

### **Camera takes continuous images of no subject**

A camera has what is known as a “false trigger” if the PIR sensor thinks that there is motion and heat in front of the camera lens when there is no subject in the image. These “False Triggers” are the result of placing the camera in an environment where there is motion associated with tree branches creating motion in front of the camera or an area where there is high heat in the foreground and any motion from wind could set off the camera. Setting a camera up over water is also a potential cause for this issue. To remedy this situation:

1. Try moving the camera to an area that does not have any of these issues or try changing the sensor level on the menu settings.
2. If the camera continues to take images when there is no subject in them, try placing the camera in an inside environment and aiming at a location where there is no motion.
3. If the camera continues to show issues, then there is probably an electronic component issue. If this is the case, please contact our customer service to send the camera back for repair.

### **Battery life is shorter than expected**

1. Battery life will vary with operating temperature and the number of images taken over time. Typically, the **Prime L20 Trail Camera** will be able to capture several thousand images before the batteries die. Check to make sure you have used new alkaline or lithium batteries. Bushnell recommends using Energizer® Lithium AA batteries in your
2. **Prime L20 Trail Camera** to obtain maximum battery life.
3. Make sure that the power switch was turned to the “On” position and that the camera was not left in “AIM” mode while in the field.
4. Make sure that you are using a good quality name brand SD card in your camera. Bushnell recommends SanDisk® brand SD Cards up to 32GB. Our experience indicates that poor quality SD cards can sometimes reduce your **Prime L20 Trail Camera** battery life.

Camera stops taking images or won't take images

1. Please make sure that the SD card is not full. If the card is full, the camera will stop taking images.

2. Check the batteries to make sure that they are new alkaline or lithium AA batteries. See note above about short battery life.

3. Make sure that the camera power switch is in the "On" position and not in the "Off" or "AIM" modes.

4. Make sure that you are using a good quality SD card in your camera. Bushnell recommends SanDisk® SD Cards up to 32GB.

5. If the SD card has its write protect switch in the lock position, the camera will not take images.

6. If you have used an SD card in another device before inserting it in your **Prime L20 Trail Camera**, you might want to try formatting the card using the "Format" parameter in Setup mode (make sure you have backed up any important files first, as formatting will erase all previous files). In some cases, other devices may change the formatting of the SD card so that it will not work properly with the **Prime L20 Trail Camera**.

### **Camera won't power up**

1. Make sure that you have installed all six batteries in the battery compartment.

Bushnell recommends using Energizer® Lithium AA batteries in all Prime L20 Trail Cameras.

2. Make sure that the batteries are installed correctly, observing proper polarity. Always place the negative (flat) end of each battery in contact with the spring side of its slot inside the camera.

3. After moving the switch from "Off" to "AIM" or "On", make sure that the switch is correctly in position to ensure the proper mode (avoid positions "between" two modes).

4. Do not move the switch directly from "On" to "AIM"-always move the switch all the way down to "Off" first, then back up to "AIM".

### **Still Photo and/or Video Quality Problems**

1. Night photos or videos appear too dark

a. Check the battery indicator icon to see if battery power is full. The flash will stop operating near the end of the battery life.

b. You will get the best results when the subject is within the ideal flash range, no farther than 100' (30m) from the camera. Subjects may appear too dark at greater distances.

c. Please note that when the Capture Number parameter is set higher than “1 Photo”, or with very short Interval settings, some images may appear darker than others due to the quick response and rapid retriggering of the camera, allowing less time for the flash to fully recharge before firing again.

2. Daytime photos or videos appear too dark

a. Make sure that the camera is not aimed at the sun or other light sources during the day, as this may cause the auto exposure to produce darker results.

3. Night photos or videos appear too bright

a. You will get the best results when the subject is within the ideal flash range, no closer than 10' (3m) from the camera. Subjects may appear too light at closer distances.

b. Change the Interval setting from 1S to 3S or higher. The camera will be in auto exposure mode to avoid “whiteout” photos.

4. Daytime photos or videos appear too bright

a. Make sure that the light sensor will not be in the shade (from tree leaves/branches) while the camera lens is aimed into a bright area.

5. Photos with streaked subject

a. In some cases with low lighting conditions and fast moving subjects, the 12MP or 20MP resolution settings may not perform as well as the 3MP setting.

b. If you have multiple images where fast moving subjects produce streaks on the photo, try the 3MP setting instead.

c. Change the Interval setting from 1S to 3S or higher to minimize motion blur.

6. Red, green or blue color cast

a. Under certain lighting conditions, the sensor can become confused resulting in poor color images.

b. If this is seen on a consistent basis, then the sensor may need servicing. Please contact Bushnell customer service.

7. Short video clips—not recording to the length set

a. Check to make sure that the SD card is not full.

b. Make sure that the camera has good batteries in it. Near the end of the battery life, the camera may choose to record shorter video clips to conserve power.

### **Date/Time Stamp not appearing on images**

Make sure that the “Time Stamp” parameter is set to “On”.

## **Photos Do Not Capture Subject of Interest**

1. Check the “Sensor Level” (PIR sensitivity) parameter setting. For warm environmental conditions, set the Sensor Level to “High” and for cold weather use, set the sensor for “Low”.
2. Try to set your camera up in an area where there is not a heat source in the camera’s line of sight.
3. In some cases, setting the camera near water will make the camera take images with no subject in them. Try aiming the camera over ground.
4. Try to avoid setting the camera up on small trees that are prone to being moved by strong winds.
5. Remove any limbs which are right in front of the camera lens.

## **PIR Sensor LED Flashes/Doesn’t Flash**

1. When the camera is in the “AIM” mode, a special LED on the front of the camera will flash when it senses motion. This is for setup purposes only and will help the user aim the camera.
2. During use, the LED will not flash when the camera takes an image. This is to help keep the camera hidden from game.

## **LCD Screen Issues**

1. LCD screen powers on but no text is present.
  - a. After moving the switch from “Off” to “AIM” or “On”, make sure that the switch is correctly in position to ensure the proper mode [avoid positions “between” two modes].
  - b. Do not move the switch directly from “On” to “AIM”-always move the switch all the way down to “Off” first, then back up to “AIM”.
2. LCD screen shows a faint black line after turning from “AIM” to “On”.
  - a. The LCD will turn off when you slide the switch to the “On” position. In some cases, this black line will appear and then fade in about 1 second. This is normal and the camera will function properly.
3. Screen comes on but then powers off
  - a. Make sure that you have installed the SD card correctly.

## **Camera won’t retain settings**

Make sure that you have been saving the changes to any parameter settings that you made while in Setup mode, by pressing “OK” after changing the setting. If you don’t save your new setting after changing it, the camera will continue to use the original default setting for that parameter.

## Field Scan (Time Lapse) not working properly

1. Make sure that the stop and start times of Field Scan “A” and “B” do not overlap (for example, do not set the start time of “B” to 8AM if the stop time of “A” is 10AM).



**CAUTION!** DO NOT USE the 1s Interval setting for Video at night at a feeder or similar environment. It may cause the LEDs to continue firing over a long period of time, which may overheat and shorten the operating life of the internal electronic components.

Do not mix old and new batteries.

Do not mix battery types-use ALL lithium or ALL alkaline.

Rechargeable batteries are not recommended.

## TECHNICAL SPECIFICATIONS

Image Sensor	3 Megapixel Color CMOS
Max Pixel Size	5963x3354 (20 MP)
Lens	F =2.8; FOV=42°; Auto IR-Cut-Remove (at night)
IR-Flash Range	Up to 100' (30m)
Display Screen	Std B&W Display
Memory Card	SD or SDHC Card, Maximum capacity 32GB
Picture Size	3M=2304x1296, 20M=5963x3354
Video Size	1280x720
Response Time	0.4 sec
Shooting Num.	1 or 3
Video Length	10 seconds
Power Supply	6xAA required
Stand-by Current	< 0.08mA (<7mAh/day)
User Interface	LCD display
Interface	USB; SD card holder
Security	Strap; ¼-20 attachment
Operating Temp.	-20 - 60°C (Storage temperature: -30 - 70°C)
Operating Humidity	5% - 90%

Specifications and designs are subject to change without any notice or obligation on the part of the manufacturer.

## **TWO YEARS LIMITED WARRANTY**

Your Bushnell® product is warranted to be free of defects in materials and workmanship for two years after the date of purchase. In the event of a defect under this warranty, we will, at our option, repair or replace the product, provided that you return the product postage prepaid. This warranty does not cover damages caused by misuse, improper handling, installation, or maintenance provided by someone other than a Bushnell Authorized Service Department.

Any return made under this warranty must be accompanied by the items listed below:

1. A check/money order in the amount of \$10.00 to cover the cost of postage and handling.
2. Name, address and daytime phone # for product return.
3. An explanation of the defect.
4. Copy of your dated proof of purchase.
5. Do not send in accessories (batteries, SD cards, cables), only the product for repair. Product should be well packed in a sturdy outside shipping carton to prevent damage in transit, and shipped to the address listed below:

IN U.S.A. Send To:  
Bushnell Outdoor Products  
Attn.: Repairs  
9200 Cody  
Overland Park, Kansas 66214

IN CANADA Send To:  
Bushnell Outdoor Products  
Attn.: Repairs  
140 Great Gulf Drive, Unit B  
Vaughan, Ontario L4K 5W5

For products purchased outside the United States or Canada please contact your local dealer for applicable warranty information. In Europe you may also contact

Bushnell at:  
Bushnell Germany  
GmbH European Service Centre Mathias-Brüggen-Str. 80  
D-50827 Köln GERMANY  
Tel: +49 221 995568-0  
Fax: +49 221 995568-20

This warranty gives you specific legal rights.  
You may have other rights which vary from country to country.

©2021 Bushnell Outdoor Products

## FCC COMPLIANCE STATEMENT:



This equipment has been tested and found to comply with the limits for a Class B digital device, pursuant to part 15 of the FCC Rules. These limits are designed to provide reasonable protection against harmful interference in a residential installation. Operation is subject to the following two conditions: (1) This device may not cause harmful interference, and (2) this device must accept any interference received, including interference that may cause undesired operation.

This equipment generates, uses and can radiate radio frequency energy and, if not installed and used in accordance with the instructions, may cause harmful interference to radio communications. However, there is no guarantee that interference will not occur in a particular installation. If this equipment does cause harmful interference to radio or television reception, which can be determined by turning the equipment off and on, the user is encouraged to try to correct the interference by one or more of the following measures:

- Reorient or relocate the receiving antenna.
- Increase the separation between the equipment and receiver.
- Connect the equipment into an outlet on a circuit different from that to which the receiver is connected.
- Consult the dealer or an experienced radio/TV technician for help.

The device does not contain any user-serviceable parts. Repairs should only be made by an Authorized Bushnell repair center. Unauthorized repairs or modifications could result in permanent damage to the equipment, and will void your warranty and your authority to operate this device under Part 15 regulations.

The shielded interface cable which is provided must be used with the equipment in order to comply with the limits for a digital device pursuant to Subpart B of Part 15 of FCC Rules.



For further questions or additional information please contact:

Bushnell Outdoor Products  
9200 Cody, Overland Park, Kansas 66214  
(800) 423-3537  
[www.bushnell.com](http://www.bushnell.com)

©2021 Bushnell Outdoor Products