

INSTALLATION INSTRUCTIONS

LED WALL SCONCE

120VAC/60Hz

READ AND FOLLOW SAFETY INFORMATION

CAUTION - Turn off the main power at the circuit breaker before installing and servicing the fixture to prevent possible injury from electric shock.

All electrical connections must be in accordance with local and National Electrical Code (N.E.C.) standards. If you are unfamiliar with proper electrical wiring connections, obtain the services of a qualified electrician.

Note: This product has two installation methods for selection.

Installation method 1:

Plug in installation

1. Turn off power before starting installation. Connect the rod (D) to the fixture body (C).

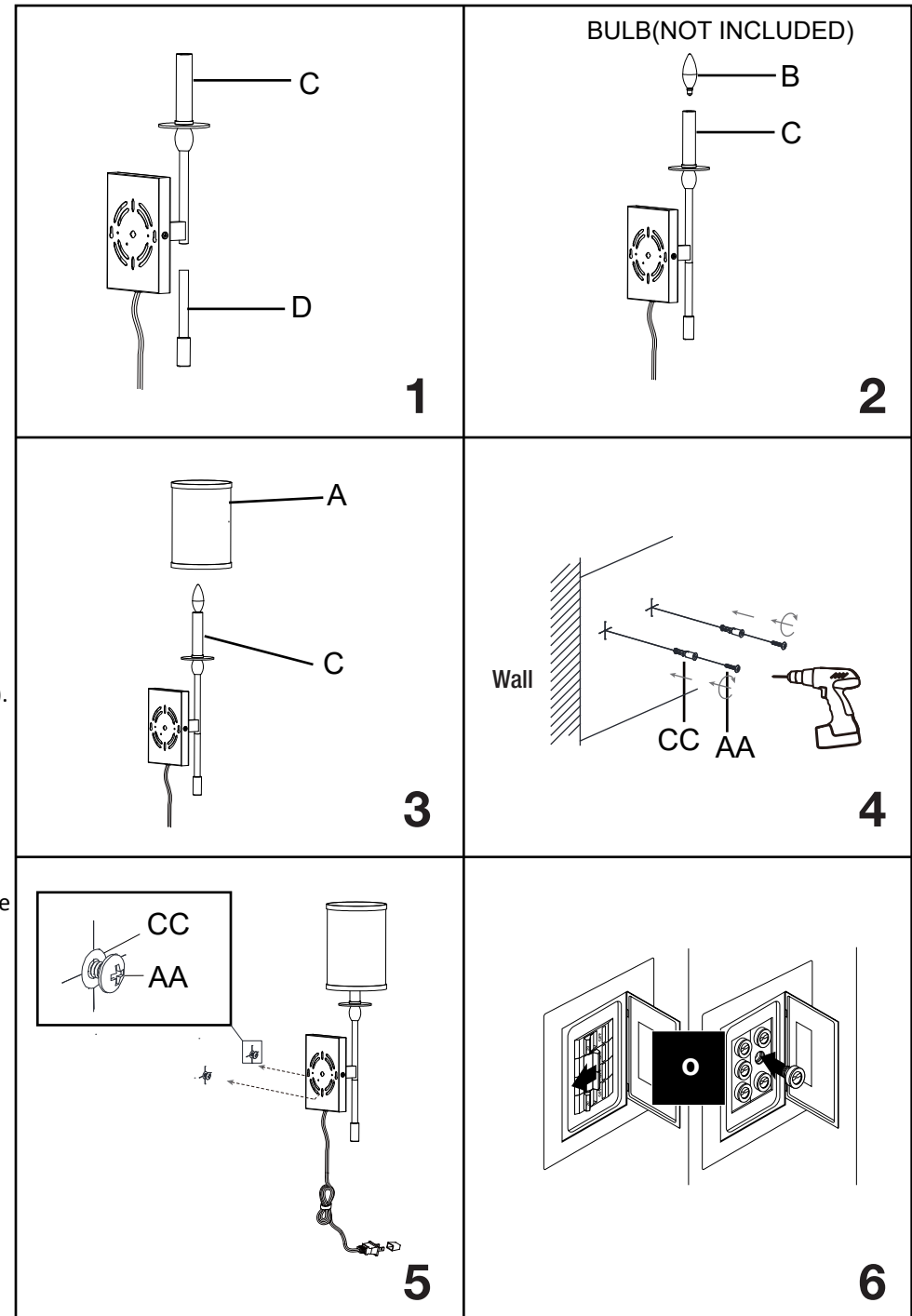
2. Install the light bulb (B).

3. Install the light shade (A).

4. Measure the distance between the two key holes on the crossbar assembly. Mark the location of the two key holes on the wall with a pencil (not provided), making sure the holes line up horizontally in the correct position. Drill a small hole (6 mm) on each mark and nail the plastic anchors (CC) into the wall using a hammer. Insert the two wood screws (AA) in the plastic anchors (CC) as shown.

5. Place the two key holes on the fixture body's crossbar assembly onto the two wood screws (AA). Make sure the two key holes are secure on the two wood screws (AA) before letting go of the fixture body. Adjust the shade on the fixture body (D) to your desired location. Plug the power cord into the outlet.

6. Turn on the switch and enjoy.



Installation method 2:

Hardwire installation

1. Turn off power before starting installation. Remove the mounting plate from the fixture body (C) and keep the mounting plate (F) and two mounting balls (D) for later use. NOTE: Prior to installation, close or cover the sink drain and/or any vents near the installation site to prevent loss of mounting hardware if dropped. Use screwdriver (not provided) to remove the iron sheets from the mounting holes on the mounting plate (F) as shown. Secure the mounting plate (E) to the outlet box (not included) with the outlet box screws (BB) as shown. Tighten until snug.

2. Remove the plug wire and rubber plug from the wire terminal.

3. Insert the bushing with rubber washer (DD) in the hole on the backplate on the fixture body (C). Connect the rod (D) to the fixture body (C).

4. Wrap the supply ground wire around the green ground screw on the mounting plate (F), no less than 2 - in. from the end of the wire. Tighten the ground screw. Connect the fixture ground wire to the supply ground wire with a wire connector (EE). Insert Supply White Wire into the terminal hole marked with N, and supply Black Wire into the terminal hole marked with L.

5. Reattach the fixture body (C) on the mounting plate (F). Secure with the previously removed mounting balls (D).

6. Install the bulb (B) and lampshade (A) on the fixture body (C) in turn.

7. Turn on the switch and enjoy.

