

CALIBER



RMD 213DAB-BT Manual

GB · DE · FR · ES · IT

TECHNICAL SPECIFICATIONS

MP3/WMA PLAYER SECTION

Signal to Noise Ratio	> 60 dB
Channel Separation	> 50 dB (1kHz)
Frequency Response	60Hz - 15 kHz

TUNER FM

Frequency range	87.5-108 MHz
Sensitivity	2.8 μ V
Stereo separation	30 dB
Signal to noise ratio	45 dB
Channel step	50 kHz

LINE-OUT

Output	5V (max.)
Impedance	10k Ohm

FRONT AUX IN

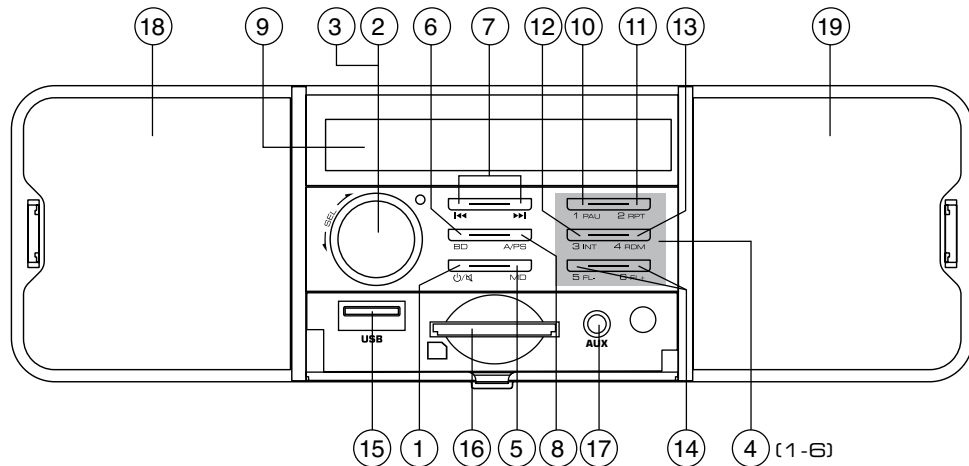
Frequency Response	60 Hz - 20 kHz
Sensitivity	775 mV
Impedance	20k Ohm

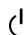


GENERAL

Power Supply	24V DC (10.8-32V allowable)
Speaker impedance	4 or 8 Ohm
Output power	25W x 4CH
Fuse	7.5A

Note: Specification and the design are subject to possible modification without notice due to improvements.

Location of parts and controls



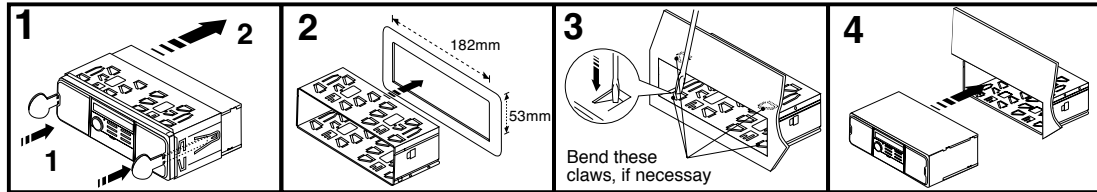
1. Switching the device on and off () / turning the sound off (MU)
2. Call up Settings menu
3. Turn to set values/volume
4. Preset stations (1,2,3,4,5,6)
5. Setting the operating mode (MD) / setting the PTY function (PTY)
6. Selecting memory location band (BD) / showing display information (DISP)
7. Title / Station search backwards/forwards ( / )
8. Automatic station memory / search function during MP3/WMA playback (A/PS)
9. LCD display
10. Pause playback (1 PAU)
11. Repeat function (2 RPT)
12. Intro function (3 INT)
13. Random play (4 RDM)
14. Directory backwards/forwards (MP3/WMA Files only) (5 FL-/6 FL+)
15. USB port
16. Card reader for SD cards
17. 3.5 mm stereo input socket for the connection of an external audio device
18. Left speaker
19. Right speaker

Installation

PRECAUTIONS

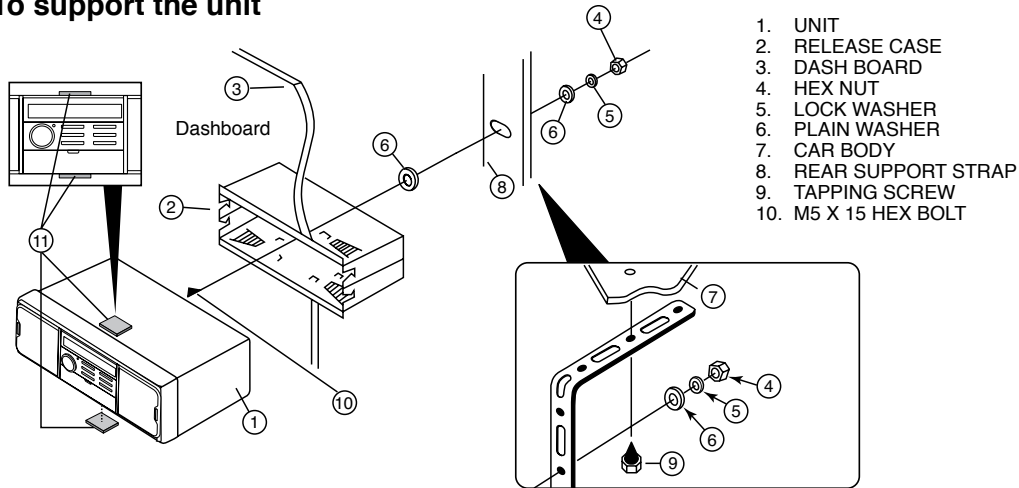
- Choose the mounting location carefully so that the unit will not interfere with the normal driving functions of the driver.
- Avoid installing the unit where it would be subject to high temperatures, such as from direct sunlight or hot air from the heater, or where it would be subject to dust, dirt or excessive vibration.
- Use only the supplied mounting hardware for a safe and secure installation.
- Be sure to remove the front panel before installing the unit.

NOTE : Inclination angle for car radio installation must not exceed 30° otherwise the front panel will not open.



Note: Keep the release key in the safe place as you may need it in future to remove the unit from the car.

To support the unit



Wire connection

RCA Jack Line Out:
Red (right) White (left)

CONNECTOR A

4. MEMORY +24V
5. AUTO ANTENNA OUTPUT
7. +24V (TO IGNITION KEY)
8. GROUND

Note: (connector A no. 7) must be connected by car ignition key in order to avoid that car battery being drained when the car will be not used for long period.

CONNECTOR B

1. REAR RIGHT SPEAKER (+)
2. REAR RIGHT SPEAKER (-)
3. FRONT RIGHT SPEAKER (+)
4. FRONT RIGHT SPEAKER (-)
5. FRONT LEFT SPEAKER (+)
6. FRONT LEFT SPEAKER (-)
7. REAR LEFT SPEAKER (+)
8. REAR LEFT SPEAKER (-)



FUSE 7.5A

General operations

Switching on and off

Press any button to switch the device on. To switch off, press and hold the **MU** button pressed.

Volume

Turn the **VOL(3)** knob to set the volume.

Switching mute on / off

Press the **MU** button briefly to turn the sound off. Press the **MU** button again to turn the sound on again. Muting is cancelled when receiving a PTY or TA station.

Operating mode

Press the **MD** button to switch between AUX/TUNER/USB/SD mode.

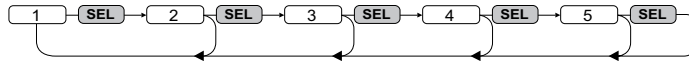
Display

Keep pressing the **BD** button to have the following information displayed in turn: Radio station, time (automatically set with RDS reception), frequency and PTY settings (these RDS functions are sent by broadcasting services in various volumes; also refer to Section "Radio functions").

Settings using the SEL(2) button (VOL/BAS/TRE/BAL/FAD)

Press the **SEL** button on the device. The current volume level is shown. Each further press of the **SEL** button accesses the next setting.

The following settings are possible:



1. Volume 2. Bass 3. Treble 4. Balance 5. Fader
Turn the **VOL(3)** knob to change the settings of the menu item displayed.

Further settings using the SEL button (TA/AF/EQ/AVOL/STEREO/LOUD/SPEAKER/LOCAL/ADJUST CLOCK)

- Hold down the **SEL** button for about 2 seconds and then keep pressing the **SEL** button until the required function is shown on the display.
- Turn the **VOL** knob to change the settings of the menu item displayed.



TA - Enabling / disabling Traffic Announcement (traffic information)

TA ON: If TA mode is enabled, the device immediately switches from other stations or operating modes to the radio station that is currently transmitting traffic information.

Note: When the TA function is enabled, you can only search for or save stations that are transmitting traffic information. Stations that are transmitting traffic information signals are denoted in the display by TP.

TA OFF: The TA function is disabled.

AF - Enabling / disabling Alternative Frequencies

AF ON: When the AF function is enabled, the device searches for the current station's optimum frequency.

AF OFF: The AF function is disabled.

EQ - Equaliser

Turn the multi-controller to select one of the FLAT, CLASSIC, ROCK, POP or EQ OFF settings. The equaliser will be disabled if EQ OFF is set. The equaliser setting is shown at the bottom of the display.

AVOL - Set the volume when radio is switched on

Turn the **VOL** knob to set the volume level used when the radio is turned on.

STEREO / MONO - Set the audio output

Turn the **VOL** knob to set the audio output in radio mode to stereo or mono. If you are receiving a stereo station, the stereo symbol **Ⓢ** appears on the display.

LOUD - Enable / disable the loudness function

Turn the **VOL** knob to increase base or treble levels (LOUD ON) or to disable the function (LOUD OFF). When the loudness function is enabled, LOUD is shown on the right of the display.

SPEAKERS

Turn the **VOL** knob to turn ON or OFF built-in speakers.

DX / LOCAL - Set reception sensitivity

Turn the **VOL** knob to align the reception sensitivity to national stations (DX) or regional stations (LOCAL).

ADJ - Set the time

Turn the **VOL** knob to the right to set the minutes and to the left to set the hours.

Note: The device has an RDS-controlled clock. The clock sets itself automatically when the RDS function is enabled and continues to run when the radio is switched off. If you do not receive any RDS signal, you can set the time of day manually.

Radio functions**Selecting the station memory band**

Press the **BD** button to switch between station memory bands (FM1, FM2, FM3). Each station memory band covers the same frequency range and has 6 memory locations.

Automatic station search

Keep the **▶▶** or **◀◀** button pressed to start automatic station search. The search stops when a station is found.

Manual station selection

Press the **▶▶** or **◀◀** button briefly to change the frequency until the required frequency is set.

Storing radio stations

Keep one of the **1** to **6** buttons pressed for about 3 seconds to store the station currently selected. The showing of numbers 1 to 6 on the display indicates a successful store.

Selecting stations stored

Use **BD** to select the station memory band (**FM1, FM2, FM3**). Press one of the **1** to **6** buttons to select the station stored.

Automatic storing

Keep the **A/PS** button pressed for 3 seconds. A search starts immediately and stays for about 5 seconds at each station found. The station indicator and/or the station frequency flashes and the memory slot is displayed. The search continues automatically when weak stations are found.

Run through the stations stored

Press the **A/PS** button briefly. All stations are selected briefly. When you hear the required station, press the **A/PS** button. The station chosen remains selected.

Programme type (PTY)

You can use this function to search for a particular type of station. The following settings are available: POP M, ROCK M, NEWS, AFFAIRS, INFO, EASY M, LIGHT M, SPORT, EDUCATE, DRAMA, CLASSICS, OTHER M, CULTURE SCIENCE, VARIED, JAZZ, COUNTRY, WEATHER, FINANCE, CHILDREN, NATION M, OLDIES, SOCIAL, RELIGION, PHONE IN, FOLK M, TRAVEL, LEISURE, DOCUMENT

Note: Please note that this information is dependent on region, broadcasting corporation and station.

Setting the PTY ID

- Keep pressing the **MD** button until the PTY message is shown at the bottom of the display.
- Then press one of the **1** to **6** buttons to select the required PTY entry.
- To change between the "Musical style" and "Vocal style" PTY entries, press the **MD** button again when the first PTY entry is displayed.

Buttons **1** to **6** are assigned as follows:

Musical genre

1 Pop M, Rock M	2 Easy M, Light M	3 Classics, Other M
4 Jazz, Country	5 Nation M, Oldies	6 Folk M

Vocal style

1 News, Affairs, Info	2 Sport, Educate, Drama	3 Culture, Science, Varied
4 Weather, Finance, Children	5 Social, Religion, Phone IN	6 Travel, Leisure, Document

If there is no further input for 2 seconds, an automatic search for stations matching the PTY entry starts. The search stops when the first station is found.

Disabling / enabling the PTY function

- Press the **MD** button to activate the PTY search. The **PTY** symbol is shown on the display with the last PTY entry selected (e.g. POP M, Rock M...). Only stations with the PTY ID currently selected are included in the station search.
- Press the **MD** button again to disable the PTY search. **PTY** is no longer shown on the display.

Station search by PTY ID

If you do not input anything for 2 seconds whilst a PTY ID is being displayed, an automatic search for stations matching this PTY ID is started. If no stations matching this PTY ID are found, PTY NONE is shown briefly and the search then ends at the station last set.

USB port

The device can process USB data carriers up to 16 GB.

Connecting data carriers

- Push the USB port protective cap to the right.
- Connect your USB device to the port.
- To protect against dirt, replace the protective cap on the USB port when no USB device is connected.

Card reader

The device can process SD/MMC memory cards up to 2 GB, and SDHC memory cards up to 32 GB.

Connecting data carriers

Push a memory card into the memory card slot with the lettering pointing upwards.

MP3 / WMA playback functions

Playback

- The device can play back files in the MP3 and WMA formats.
- A mixture of titles and directories on the same level can cause problems when playing back.
- During playback, the information from the MP3 file ID3 tag is read and shown in turn on the display.
- Playback of the MP3 or WMA title on the USB device or memory card begins automatically.

Stop playback

Press the **1 PAU** button to stop playback. Press the **1 PAU** button again to continue playback.

Note: Keep the **1 PAU** button pressed to play the first title on the storage medium.

Skip title

Press the **▶▶** or **◀◀** button to select the next or previous title. The title number is shown on the display.

Fast forward/backward

Hold down the **▶▶** or **◀◀** button for longer to start fast forward or backward.

Repeat function (RPT - Repeat)

Press the **2 RPT** button several times to switch between the repeat functions. The following settings are available:

RPT ONE: The current title is repeated.

RPT DIR: All titles in the current directory are repeated.

RPT ALL: All titles on the storage medium are repeated.

Title sampling

Press the **3 INT** button. All titles are played back one after the other for approximately 10 seconds. Press the **3 INT** button again to commence playback of the title currently selected.

Random playback of all titles (RDM - Random)

Press the **4 RDM** button. A randomly controlled playback is started. Press the **4 RDM** button to commence normal playback again.

Skip directory

Press the **6 FL+** button to skip to the next directory or the **5 FL-** button to skip to the previous directory. Playback starts automatically.

Search functions

Title number search

- Press the **A/PS** button.
- Turn the **VOL** knob to set the first digit of the title number required.
- Press the **SEL** button to confirm the entry and to skip to entry of the second, third or fourth digit.
- Press the **1 PAU** button to commence playback of the selected title.

Title name search

- Press the **A/PS** button twice. The search for title names starts immediately. If no title starting with the digit set is found.
- Turn the **VOL** knob until the desired character or digit appears.
- Press the **▶▶** or **◀◀** button to confirm the character set and to display all titles beginning with the required character.
- Press the **1 PAU** button to commence playback of the title displayed.

Search for directories

- Press the **A/PS** button three times. The directory currently being played back is shown.
- Turn the **VOL** knob to switch between the available directories.
- Press the **1 PAU** button to select the directory currently being displayed. Playback of the first title from the selected directory starts immediately.

Connecting an external audio device to the device

Connect the audio output of an external audio device (e.g. an MP3 player) via a 3.5 mm stereo jack plug to the AUX IN socket on the front panel of the device. Select audio input playback by repeatedly pressing the **MD** button until AUX is shown on the display.

Memory Backup

This unit is equipped with built-in memory I.C. (Integrated Circuits) to save user settings such as tuner preset stations and audio control settings. Whenever power is unplugged, these settings will not be lost.

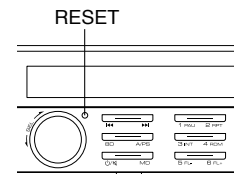
Reset

To reset the device to its factory default settings, press and hold 6 sec. the **RESET** button with a pointed object, such as a pen.

Reset the device:

- when operating for the first time,
- after the cable connection,
- if not all function buttons are working
- when an error message appears in the display.

Note: To access the RESET button the face plate must be completely detached, see also the section "Removing the face plate".



TECHNISCHE DATEN

MP3/WMA-PLAYER SEKTION

Signal-Rausch-Verhältnis	> 60 dB
Kanaltrennung	> 50 dB (1kHz)
Frequenzgang	60Hz - 15 kHz

TUNER FM

Frequenzbereich	87,5-108 MHz
Empfindlichkeit	2,8 μ V
Stereotrennung	30 dB
Signal-Rauschabstand	45 dB
Kanalschritt	50 kHz

LINE-OUT

Ausgang	5V (max.)
Impedanz	10k Ohm

FRONT AUX IN

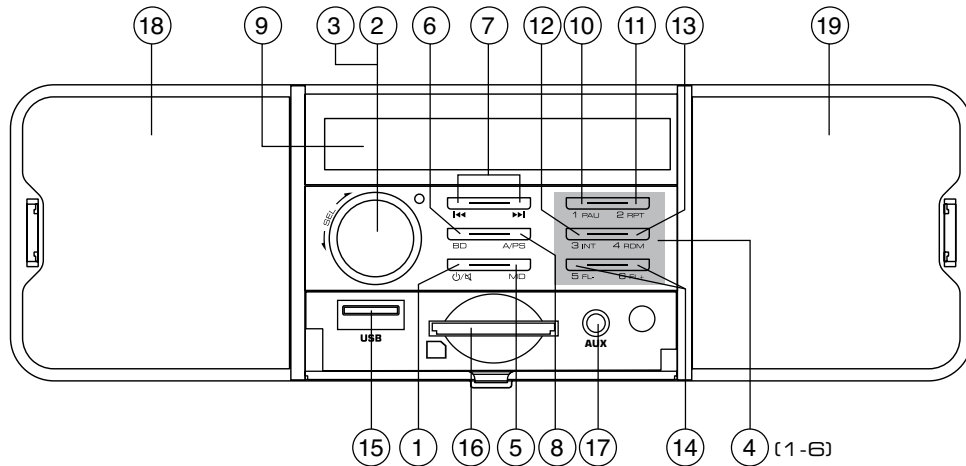
Frequenzgang	60 Hz - 20 kHz
Empfindlichkeit	775 mV
Impedanz	20k Ohm

ALLGEMEINES

Stromversorgung	24V DC (10,8-32V zulässig)
Lautsprecherimpedanz	4 oder 8 Ohm
Ausgangsleistung	25W x 4CH
Sicherung	7,5A

Hinweis: Die technischen Daten und das Design können aufgrund von Verbesserungen ohne vorherige Ankündigung geändert werden.

Lage der Teile und Bedienelemente



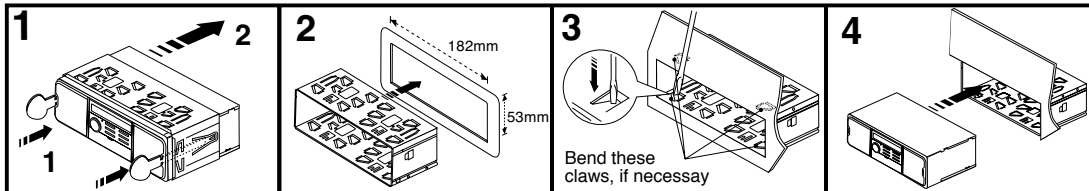
1. Ein- und Ausschalten des Geräts () / Ausschalten des Tons (MU)
2. Aufrufen des Menüs Einstellungen
3. Drehen, um Werte/Lautstärke einzustellen
4. Sender voreinstellen (1,2,3,4,5,6)
5. Einstellung der Betriebsart (MD) / Einstellung der PTY-Funktion (PTY)
6. Auswählen des Speicherplatzbandes (BD) / Anzeigen von Displayinformationen (DISP)
7. Titel-/Sendersuche rückwärts/vorwärts (/)
8. Automatischer Senderspeicher / Suchfunktion während der MP3/WMA-Wiedergabe (A/PS)
9. LCD-Anzeige
10. Pause der Wiedergabe (1 PAU)
11. Wiederholungsfunktion (2 RPT)
12. Intro-Funktion (3 INT)
13. Zufallswiedergabe (4 RDM)
14. Verzeichnis rückwärts/vorwärts (nur MP3/WMA-Dateien) (5 FL-/6 FL+)
15. USB-Anschluss
16. Kartenleser für SD-Karten
17. 3,5 mm Stereo-Eingangsbuchse für den Anschluss eines externen Audiogeräts
18. Linker Lautsprecher
19. Rechter Lautsprecher

Einbau

VORSICHTSMASSNAHMEN

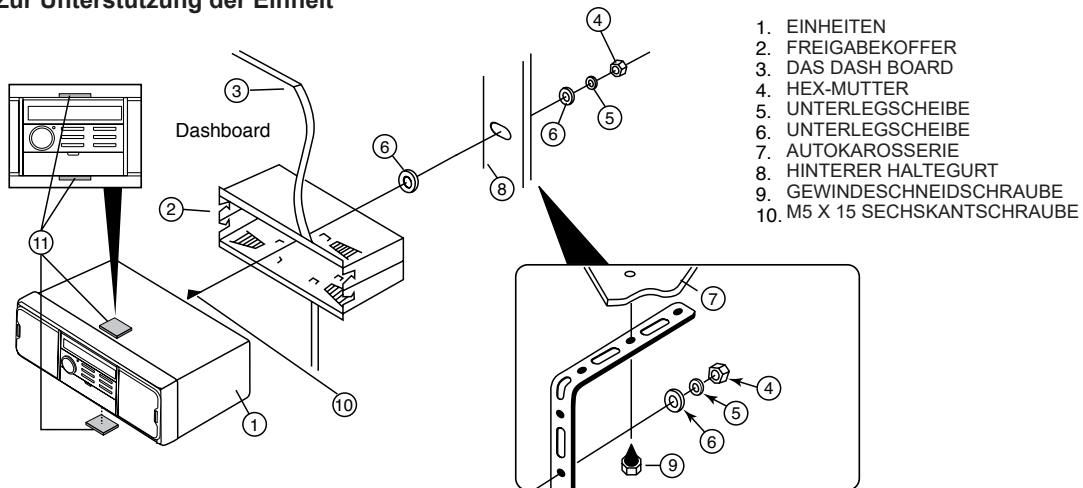
- Wählen Sie den Einbauort sorgfältig aus, damit das Gerät die normalen Fahrfunktionen des Fahrers nicht beeinträchtigt.
- Vermeiden Sie es, das Gerät an einem Ort zu montieren, an dem es hohen Temperaturen ausgesetzt ist, z. B. durch direkte Sonneneinstrahlung oder heiße Luft von der Heizung. Oder Staub, Schmutz oder übermäßigen Vibrationen ausgesetzt ist.
- Verwenden Sie nur das mitgelieferte Montagematerial, um eine sichere Installation zu gewährleisten.
- Entfernen Sie vor der Installation des Geräts unbedingt die Frontblende.

HINWEIS: Der Neigungswinkel beim Einbau des Autoradios darf 30° nicht überschreiten, da sich die Frontblende sonst nicht öffnen lässt.



Hinweis: Bewahren Sie den Entriegelungsschlüssel an einem sicheren Ort auf, da Sie ihn möglicherweise in Zukunft benötigen, um das Gerät aus dem Fahrzeug zu entfernen.

Zur Unterstützung der Einheit



Kabelanschluss

RCA-Buchse Line Out:
Rot (rechts) Weiß (links)

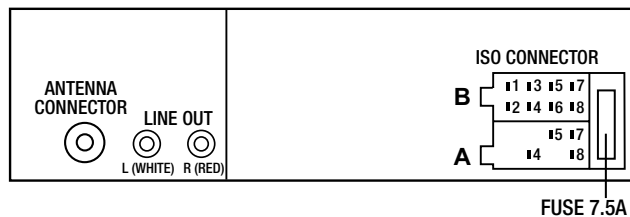
ANSCHLUSS A

- 4. SPEICHER +24V
- 5. AUTOANTENNENAUSGANG
- 7. +24V (ZUM ZÜNDSCHLÜSSEL)
- 8. ERDE

Hinweis: (Anschluss A Nr. 7) muss mit dem Zündschlüssel des Autos verbunden werden um zu vermeiden, dass die Autobatterie entladen wird, wenn das Auto für längere Zeit nicht benutzt wird.

ANSCHLUSS B

- 1. HINTERER RECHTER LAUTSPRECHER (+)
- 2. HINTERER RECHTER LAUTSPRECHER (-)
- 3. VORDERER RECHTER LAUTSPRECHER (+)
- 4. VORDERER RECHTER LAUTSPRECHER (-)
- 5. LINKER FRONT-LAUTSPRECHER (+)
- 6. LINKER FRONT-LAUTSPRECHER (-)
- 7. HINTERER LINKER LAUTSPRECHER (+)
- 8. HINTERER LINKER LAUTSPRECHER (-)



Allgemeiner Betrieb

Ein- und Ausschalten

Drücken Sie eine beliebige Taste, um das Gerät einzuschalten. Um das Gerät auszuschalten, halten Sie die Taste  /MU gedrückt.

Lautstärke

Drehen Sie den VOL(3)-Knopf, um die Lautstärke einzustellen.

Stummschaltung ein-/ausschalten

Drücken Sie kurz auf die Taste /MU, um den Ton auszuschalten. Drücken Sie die Taste /MU erneut, um den Ton wieder einzuschalten. Die Stummschaltung wird aufgehoben, wenn ein PTY- oder TA-Sender empfangen wird.

Betriebsart

Drücken Sie die MD-Taste, um zwischen dem AUX/TUNER/USB/SD-Modus zu wechseln.

Anzeige

Halten Sie die BD-Taste gedrückt, um die folgenden Informationen nacheinander anzuzeigen:

Radiosender, Uhrzeit (wird beim RDS-Empfang automatisch eingestellt), Frequenz und PTY-Einstellungen (diese RDS-Funktionen werden von den RDS-Funktionen von den Rundfunkanstalten in verschiedenen Lautstärken gesendet; siehe auch Abschnitt "Radiofunktionen").

Einstellungen mit der SEL(2)-Taste (VOL/BAS/TRE/BAL/FAD)

Drücken Sie die SEL-Taste am Gerät. Der aktuelle Lautstärkepegel wird angezeigt. Jeder weitere Druck auf die SEL-Taste wird die nächste Einstellung aufgerufen.

Die folgenden Einstellungen sind möglich:



1. Lautstärke 2. Bass 3. Höhen 4. Balance 5. Fader

Drehen Sie den VOL(3)-Knopf, um die Einstellungen des angezeigten Menüpunkts zu ändern

Weitere Einstellungen mit der SEL-Taste (TA/AF/EQ/AVOL/STEREO/LOUD/SPEAKER/LOCAL/ADJUST CLOCK)

- Halten Sie die SEL-Taste etwa 2 Sekunden lang gedrückt und drücken Sie dann die SEL-Taste so lange, bis die gewünschte Funktion auf dem Display angezeigt wird.
- Drehen Sie den VOL-Knopf, um die Einstellungen des angezeigten Menüpunkts zu ändern.



TA - Aktivieren / Deaktivieren der Verkehrsdurchsage (Verkehrsinformationen)

TA EIN: Wenn der TA-Modus aktiviert ist, schaltet das Gerät sofort von anderen Stationen oder Betriebsmodi auf die Funkstation

Sender um, der gerade Verkehrsinformationen sendet.

Hinweis: Wenn die TA-Funktion aktiviert ist, können Sie nur Sender suchen oder speichern, die Verkehrsinformationen übertragen.

Informationen senden. Sender, die Verkehrsfunksignale senden, werden in der Anzeige mit TP gekennzeichnet.

TA AUS: Die TA-Funktion ist deaktiviert.

AF - Aktivieren/Deaktivieren von Alternativfrequenzen

AF EIN: Wenn die AF-Funktion aktiviert ist, sucht das Gerät nach der optimalen Frequenz des aktuellen Senders.

AF AUS: Die AF-Funktion ist deaktiviert.

EQ - Equalizer

Drehen Sie den Multicontroller, um eine der Einstellungen FLAT, CLASSIC, ROCK, POP oder EQ OFF zu wählen. Der Equalizer wird ist deaktiviert, wenn EQ OFF eingestellt ist. Die Equalizer-Einstellung wird am unteren Rand des Displays angezeigt.

AVOL - Einstellen der Lautstärke beim Einschalten des Radios

Drehen Sie den VOL-Knopf, um die Lautstärke einzustellen, die beim Einschalten des Radios verwendet wird.

STEREO / MONO - Einstellen des Audioausgangs

Drehen Sie den VOL-Knopf, um den Audioausgang im Radiomodus auf Stereo oder Mono einzustellen. Wenn Sie einen Stereosender empfangen, erscheint das Stereo-Symbol auf dem Display.

LOUD - Aktivieren / Deaktivieren der Lautstärkefunktion

Drehen Sie den VOL-Regler, um den Grund- oder Höhenpegel zu erhöhen (LOUD ON) oder um die Funktion zu deaktivieren (LOUD OFF). Wenn die Lautstärkefunktion aktiviert ist, wird LOUD rechts im Display angezeigt.

LAUTSPRECHER

Drehen Sie den VOL-Knopf, um die eingebauten Lautsprecher ein- oder auszuschalten.

DX / LOCAL - Empfangsempfindlichkeit einstellen

Drehen Sie den **VOL**-Knopf, um die Empfangsempfindlichkeit auf nationale Sender (DX) oder regionale Sender (LOCAL) einzustellen.

ADJ - Einstellen der Uhrzeit

Drehen Sie den **VOL**-Knopf nach rechts, um die Minuten einzustellen, und nach links, um die Stunden einzustellen.

Hinweis: Das Gerät verfügt über eine RDS-gesteuerte Uhr. Die Uhr stellt sich automatisch ein, wenn die RDS-Funktion aktiviert ist und läuft weiter, wenn das Radio ausgeschaltet ist. Wenn Sie kein RDS-Signal empfangen, können Sie die Uhrzeit manuell einstellen. Uhrzeit manuell einstellen.

Radiofunktionen
Auswählen des Senderspeicherbands

Drücken Sie die Taste **BD**, um zwischen den Senderspeicherbändern (FM1, FM2, FM3) zu wechseln. Jeder Senderspeicherbereich deckt Frequenzbereich ab und verfügt über 6 Speicherplätze.

Automatischer Sendersuchlauf

Halten Sie die Taste **▶▶** oder **◀◀** gedrückt, um den automatischen Sendersuchlauf zu starten. Der Suchlauf stoppt, wenn ein Sender gefunden wird.

Manuelle Senderwahl

Drücken Sie kurz die Taste **▶▶** oder **◀◀** um die Frequenz zu ändern, bis die gewünschte Frequenz eingestellt ist.

Speichern von Radiosendern

Halten Sie eine der Tasten 1 bis 6 etwa 3 Sekunden lang gedrückt, um den aktuell gewählten Sender zu speichern. Die Anzeige der Ziffern 1 bis 6 auf dem Display zeigt an, dass der Sender erfolgreich gespeichert wurde.

Auswählen gespeicherter Sender

Wählen Sie mit **BD** das Speicherband des Senders (FM1, FM2, FM3). Drücken Sie eine der Tasten 1 bis 6, um den gespeicherten Sender zu wählen.

Automatisches Speichern

Halten Sie die Taste **A/PS** 3 Sekunden lang gedrückt. Der Suchlauf beginnt sofort und bleibt etwa 5 Sekunden lang bei jedem gefundenen Sender. Die Senderanzeige und/oder die Senderfrequenz blinkt und der Speicherplatz wird angezeigt. Die Suche wird automatisch fortgesetzt, wenn schwache Sender gefunden werden.

Durchlaufen der gespeicherten Sender

Drücken Sie kurz die Taste **A/PS**. Alle Sender werden kurz ausgewählt. Wenn Sie den gewünschten Sender hören, drücken Sie die **A/PS**-Taste. Der gewählte Sender bleibt ausgewählt.

Programmtyp (PTY)

Mit dieser Funktion können Sie nach einer bestimmten Art von Sender suchen. Die folgenden Einstellungen sind möglich: POP M, ROCK M, NACHRICHTEN, AFFAIRS, INFO, EASY M, LIGHT M, SPORT, EDUCATE, DRAMA, CLASSICS, OTHER M, KULTURWISSENSCHAFT, ABWECHSLUNGSREICH, JAZZ, COUNTRY, WETTER, FINANZEN, KINDER, NATION M, OLDIES, SOZIALES, RELIGION, TELEFON IN, FOLK M, REISEN, FREIZEIT, DOKUMENT

Hinweis: Bitte beachten Sie, dass diese Informationen von der Region, der Sendeanstalt und dem Sender abhängig sind.

Einstellen der PTY-ID

- Halten Sie die **MD**-Taste gedrückt, bis die PTY-Meldung am unteren Rand des Displays angezeigt wird.
- Drücken Sie dann eine der Tasten 1 bis 6, um den gewünschten PTY-Eintrag zu wählen.
- Um zwischen den PTY-Einträgen "Musical style" und "Vocal style" zu wechseln, drücken Sie die **MD**-Taste erneut, wenn der erste PTY-Eintrag angezeigt wird.

Die Tasten 1 bis 6 sind wie folgt belegt:

Musikrichtung

1 Pop M, Rock M	2 Easy M, Light M	3 Classics, Other M
4 Jazz, Country	5 Nation M, Oldies	6 Folk M

Gesangsstil

1 News, Affairs, Info	2 Sport, Educate, Drama	3 Kultur, Wissenschaft, Variety
4 Wetter, Finanzen, Kinder	5 Soziales, Religion, Telefon IN	6 Reisen, Freizeit, Dokument

Wenn 2 Sekunden lang keine weitere Eingabe erfolgt, beginnt eine automatische Suche nach Sendern, die dem PTY-Eintrag entsprechen. Die Suche stoppt, wenn der erste Sender gefunden wird.

Disabling / enabling the PTY function

- Press the **MD** button to activate the PTY search. The **PTY** symbol is shown on the display with the last PTY entry selected (e.g. POP M, Rock M...). Only stations with the PTY ID currently selected are included in the station search.

- Press the **MD** button again to disable the PTY search. **PTY** is no longer shown on the display.

Station search by PTY ID

If you do not input anything for 2 seconds whilst a PTY ID is being displayed, an automatic search for stations matching this PTY ID is started. If no stations matching this PTY ID are found, PTY NONE is shown briefly and the search then ends at the station last set.

USB port

The device can process USB data carriers up to 16 GB.

Connecting data carriers

- Push the USB port protective cap to the right.
- Connect your USB device to the port.
- To protect against dirt, replace the protective cap on the USB port when no USB device is connected.

Card reader

The device can process SD/MMC memory cards up to 2 GB, and SDHC memory cards up to 32 GB.

Connecting data carriers

Push a memory card into the memory card slot with the lettering pointing upwards.

MP3/WMA-Wiedergabefunktionen**Wiedergabe**

- Das Gerät kann Dateien im MP3- und WMA-Format wiedergeben.
- Eine Mischung von Titeln und Verzeichnissen auf der gleichen Ebene kann zu Problemen bei der Wiedergabe führen.
- Während der Wiedergabe werden die Informationen aus dem ID3-Tag der MP3-Datei gelesen und abwechselnd im Display angezeigt.
- Die Wiedergabe des MP3- oder WMA-Titels auf dem USB-Gerät oder der Speicherkarte beginnt automatisch.

Wiedergabe stoppen

Drücken Sie die Taste **1 PAU**, um die Wiedergabe zu stoppen. Drücken Sie die Taste **1 PAU** erneut, um die Wiedergabe fortzusetzen. Hinweis: Halten Sie die Taste **1 PAU** gedrückt, um den ersten Titel auf dem Speichermedium abzuspielen.

Titel überspringen

Drücken Sie die Taste **▶▶** oder **◀◀**, um den nächsten oder vorherigen Titel auszuwählen. Die Titelnummer wird auf dem Display angezeigt.

Schneller Vorlauf/Rücklauf

Halten Sie die Taste **▶▶** oder **◀◀** länger gedrückt, um einen schnellen Vorlauf oder Rücklauf zu starten.

Wiederholungsfunktion (RPT - Repeat)

Drücken Sie die Taste 2 RPT mehrmals, um zwischen den Wiederholungsfunktionen zu wechseln. Die folgenden Einstellungen sind verfügbar:

RPT EINS: Der aktuelle Titel wird wiederholt.

RPT DIR: Alle Titel im aktuellen Verzeichnis werden wiederholt.

RPT ALL: Alle Titel auf dem Speichermedium werden wiederholt.

Titelsampling

Drücken Sie die Taste 3 INT. Alle Titel werden nacheinander für ca. 10 Sekunden abgespielt. Drücken Sie die Taste 3 INT-Taste erneut, um die Wiedergabe des aktuell gewählten Titels zu starten.

Zufallswiedergabe aller Titel (RDM - Random)

Drücken Sie die Taste **4 RDM**. Eine zufallsgesteuerte Wiedergabe wird gestartet. Drücken Sie die Taste **4 RDM**, um mit der normalen Wiedergabe wieder zu starten.

Verzeichnis überspringen

Drücken Sie die Taste **6 FL+**, um zum nächsten Verzeichnis zu springen, oder die Taste **5 FL-**, um zum vorherigen Verzeichnis zu springen. Die Wiedergabe beginnt automatisch.

Suchfunktionen

Suche nach Titelnummern

- Drücken Sie die Taste **A/PS**.
- Drehen Sie den **VOL**-Knopf, um die erste Ziffer der gewünschten Titelnummer einzustellen.
- Drücken Sie die **SEL**-Taste, um die Eingabe zu bestätigen und zur Eingabe der zweiten, dritten oder vierten Ziffer zu springen.
- Drücken Sie die Taste **1 PAU**, um die Wiedergabe des gewählten Titels zu starten.

Suche nach Titelnamen

- Drücken Sie die Taste **A/PS** zweimal. Die Suche nach Titelnamen beginnt sofort. Wenn kein Titel gefunden wird, der mit der eingestellten Ziffer gefunden wird.
- Drehen Sie den **VOL**-Knopf, bis das gewünschte Zeichen oder die gewünschte Ziffer erscheint.
- Drücken Sie die Taste **▶▶** oder **◀◀**, um den Zeichensatz zu bestätigen und alle Titel anzuzeigen, die mit dem gewünschten Zeichen beginnen.
- Drücken Sie die Taste **1 PAU**, um die Wiedergabe des angezeigten Titels zu starten.

Suche nach Verzeichnissen

- Drücken Sie die Taste **A/PS** dreimal. Das Verzeichnis, das gerade wiedergegeben wird, wird angezeigt.
- Drehen Sie den **VOL**-Knopf, um zwischen den verfügbaren Verzeichnissen zu wechseln.
- Drücken Sie die Taste **1 PAU**, um das aktuell angezeigte Verzeichnis auszuwählen. Die Wiedergabe des ersten Titels aus dem gewählten Verzeichnis beginnt sofort.

Anschließen eines externen Audiogeräts an das Gerät

Schließen Sie den Audioausgang eines externen Audiogeräts (z. B. eines MP3-Players) über einen 3,5-mm-Stereoklinkenstecker an die **AUX IN**-Buchse auf der Vorderseite des Geräts an. Wählen Sie die Wiedergabe des Audioeingangs durch wiederholtes Drücken der **MD**-Taste drücken, bis **AUX** auf dem Display angezeigt wird.

Speichersicherung

Dieses Gerät ist mit einem eingebauten I.C.-Speicher (integrierter Schaltkreis) ausgestattet, um Benutzereinstellungen wie voreingestellte Tuner-Sender und Audiosteuerungseinstellungen. Wenn das Gerät vom Netz getrennt wird, gehen diese Einstellungen nicht verloren.

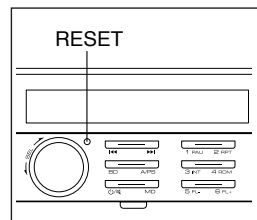
Zurücksetzen

Um das Gerät auf die Werkseinstellungen zurückzusetzen, halten Sie die **RESET**-Taste 6 Sekunden lang gedrückt. mit einem spitzen Gegenstand, z. B. einem Stift.

Setzen Sie das Gerät zurück:

- bei der ersten Inbetriebnahme,
- nach dem Anschließen des Kabels,
- wenn nicht alle Funktionstasten funktionieren
- wenn eine Fehlermeldung auf dem Display erscheint.

Hinweis: Um an die **RESET**-Taste zu gelangen, muss die Frontplatte komplett abgenommen werden, siehe auch den Abschnitt "Abnehmen der Frontplatte".



SPÉCIFICATIONS TECHNIQUES

SECTION LECTEUR MP3/WMA

Rapport signal/bruit	> 60 dB
Séparation des canaux	> 50 dB (1kHz)
Réponse en fréquence	60Hz - 15 kHz

TUNER FM

Plage de fréquences	87,5-108 MHz
Sensibilité	2,8 μ V
Séparation stéréo	30 dB
Rapport signal/bruit	45 dB
Pas de canal	50 kHz

LINE-OUT

Sortie	5V (max.)
Impédance	10k Ohm

FRONT AUX IN

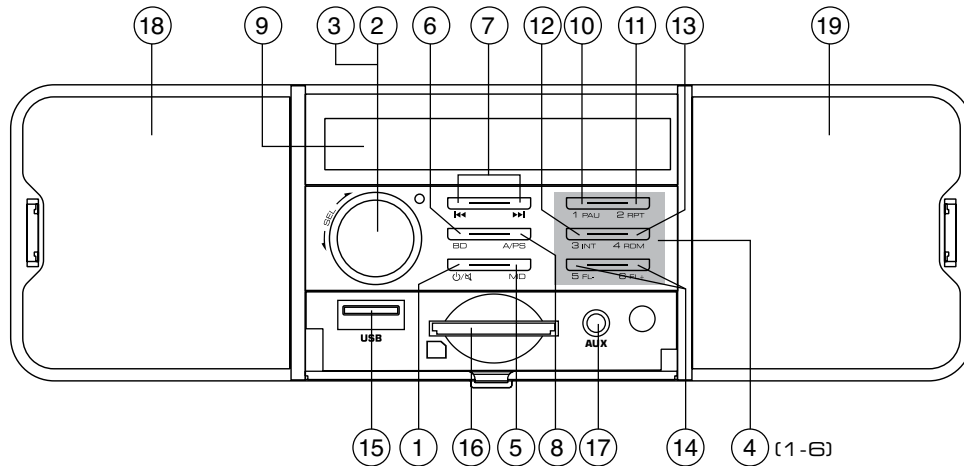
Réponse en fréquence	60 Hz - 20 kHz
Sensibilité	775 mV
Impédance	20k Ohm

GÉNÉRALITÉS

Alimentation électrique	24V DC (10,8-32V autorisés)
Impédance des enceintes	4 ou 8 Ohm
Puissance de sortie	25W x 4CH
Fusible	7.5A

Remarque : Les spécifications et le design sont sujets à d'éventuelles modifications sans préavis en raison d'améliorations.

Emplacement des pièces et des commandes

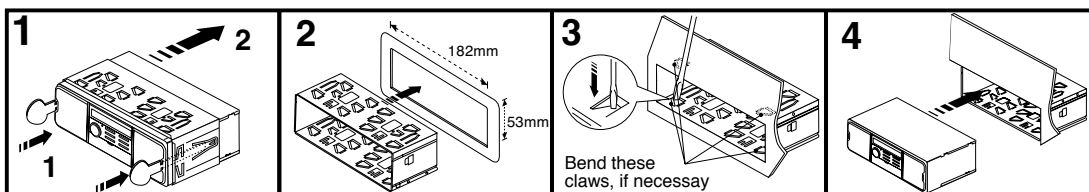


1. Mise en marche et arrêt de l'appareil (⏻) / arrêt du son (MU)
2. Accéder au menu Réglages
3. Tourner pour régler les valeurs/volumes
4. Prérégler les stations (1,2,3,4,5,6)
5. Réglage du mode de fonctionnement (MD) / Réglage de la fonction PTY (PTY)
6. Sélection de la bande de stockage (BD) / Affichage des informations à l'écran (DISP)
7. Recherche de titres/stations en arrière/en avant (⏮ / ⏭)
8. Mémorisation automatique des stations / fonction de recherche pendant la lecture MP3/WMA (A/PS)
9. Affichage LCD
10. Pause de la lecture (1 PAU)
11. Fonction de répétition (2 RPT)
12. Fonction intro (3 INT)
13. Lecture aléatoire (4 RDM)
14. Répertoire en arrière/en avant (fichiers MP3/WMA uniquement) (5 FL-/6 FL+)
15. Port USB
16. Lecteur de cartes SD
17. Prise d'entrée stéréo 3,5 mm pour le raccordement d'un appareil audio externe
18. Haut-parleur gauche
19. Haut-parleur droit

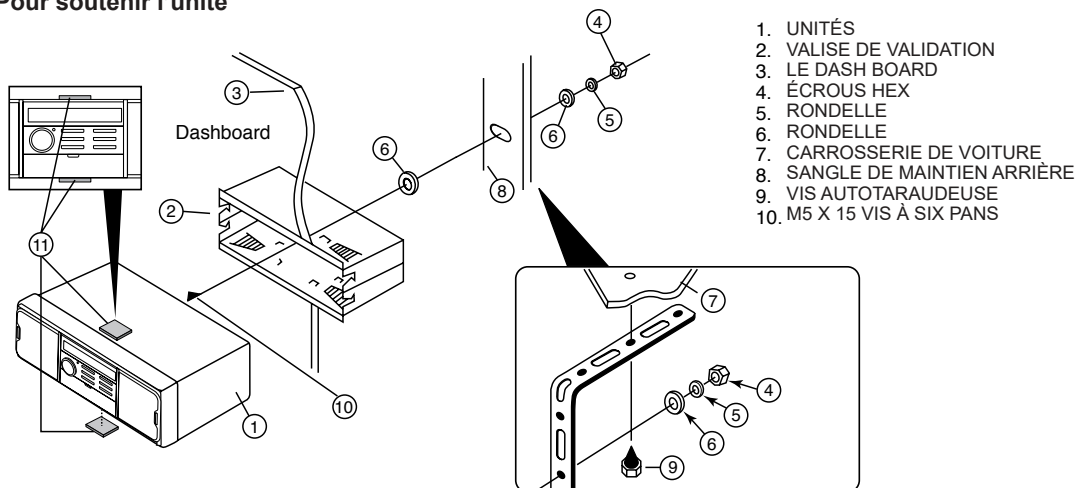
Montage**MESURES DE PRÉCAUTION**

- Choisissez soigneusement l'emplacement de l'appareil pour qu'il ne perturbe pas les fonctions normales de conduite du conducteur. Ne perturbe pas le fonctionnement du véhicule.
- Évitez de monter l'appareil à un endroit où il serait exposé à des températures élevées, par exemple à la lumière directe du soleil ou à l'air chaud d'un chauffage. Ou à la poussière, à la saleté ou à des vibrations excessives.
- Utilisez uniquement le matériel de montage fourni pour garantir une installation sûre.
- Retirez impérativement le panneau frontal avant d'installer l'appareil.

REMARQUE : l'angle d'inclinaison lors de l'installation de l'autoradio ne doit pas dépasser 30°, sinon le panneau avant ne s'ouvrira pas.



Remarque : Conservez la clé de déverrouillage dans un endroit sûr, car vous pourriez en avoir besoin à l'avenir pour retirer l'appareil du véhicule.

Pour soutenir l'unité

1. UNITÉS
2. VALISE DE VALIDATION
3. LE DASH BOARD
4. ÉCROUS HEX
5. RONDELLE
6. RONDELLE
7. CARROSSERIE DE VOITURE
8. SANGLE DE MAINTIEN ARRIÈRE
9. VIS AUTOTARAUDEUSE
10. M5 X 15 VIS À SIX PANS

Prise de câble**Prise RCA Line Out :**

Rouge (droite) Blanc (gauche)

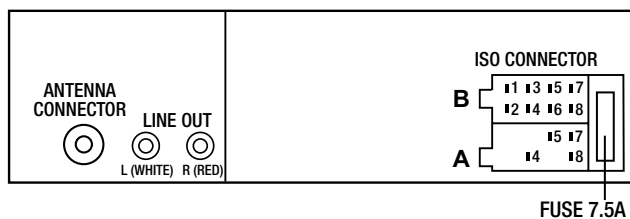
RACCORDEMENT A

4. MÉMOIRE +24V
5. SORTIE ANTENNE AUTO
7. +24V (VERS LA CLÉ DE CONTACT)
8. TERRE

Remarque : (borne A n° 7) doit être reliée à la clé de contact de la voiture afin d'éviter que la batterie de la voiture ne se décharge si la voiture n'est pas utilisée pendant une longue période.

RACCORDEMENT B

1. HAUT-PARLEUR ARRIÈRE DROIT (+)
2. HAUT-PARLEUR ARRIÈRE DROIT (-)
3. HAUT-PARLEUR AVANT DROIT (+)
4. HAUT-PARLEUR AVANT DROIT (-)
5. HAUT-PARLEUR AVANT GAUCHE (+)
6. HAUT-PARLEUR AVANT GAUCHE (-)
7. HAUT-PARLEUR ARRIÈRE GAUCHE (+)
8. HAUT-PARLEUR ARRIÈRE GAUCHE (-)



Fonctionnement général

Mise en marche et arrêt

Appuyez sur n'importe quelle touche pour mettre l'appareil en marche. Pour éteindre l'appareil, maintenez la touche /MU enfoncée.

Volume

Tournez le bouton VOL(3) pour régler le volume.

Activer/désactiver le son

Appuyez brièvement sur le bouton /MU pour désactiver le son. Appuyez à nouveau sur le bouton /MU pour réactiver le son. Le son est coupé lorsqu'une station PTY ou TA est reçue.

Mode de fonctionnement

Appuyez sur le bouton MD pour basculer entre le mode AUX/TUNER/USB/SD.

Affichage

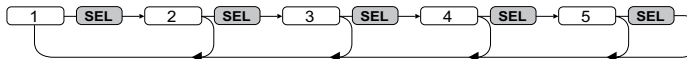
Maintenez la touche BD enfoncée pour afficher les informations suivantes l'une après l'autre :

Station de radio, heure (réglée automatiquement lors de la réception RDS), fréquence et réglages PTY (ces fonctions RDS Ces fonctions RDS sont diffusées par les stations de radio à différents niveaux de volume ; voir aussi section "Fonctions radio").

Réglages avec la touche SEL(2) (VOL/BAS/TRE/BAL/FAD)

Appuyez sur la touche SEL de l'appareil. Le niveau de volume actuel s'affiche. Chaque nouvelle pression sur la touche SEL permet d'accéder au réglage suivant.

Les réglages suivants sont possibles :



1. volume 2. graves 3. aigus 4. balance 5. fader

Tournez le bouton **VOL(3)** pour modifier les réglages de l'élément de menu affiché.

Autres réglages avec la touche **SEL (TA/AF/EQ/AVOL/STEREO/LOUD/SPEAKER/LOCAL/ADJUST CLOCK)**

- Maintenez la touche **SEL** enfoncée pendant environ 2 secondes, puis appuyez sur la touche SEL jusqu'à ce que la fonction souhaitée s'affiche à l'écran.

- Tournez le bouton **VOL** pour modifier les réglages de l'élément de menu affiché.



TA - Activation / désactivation des informations routières (informations sur le trafic)

TA ON : lorsque le mode TA est activé, l'appareil passe immédiatement des autres stations ou modes de fonctionnement à la station radio

station qui est en train de diffuser des informations routières.

Remarque : lorsque le mode TA est activé, vous pouvez uniquement rechercher ou enregistrer des stations qui diffusent des informations routières.

Envoyer des informations. Les stations qui transmettent des informations sur le trafic sont signalées par TP sur l'écran.

TA OFF : la fonction TA est désactivée.

AF - Activation/désactivation des fréquences alternatives

AF ON : lorsque la fonction AF est activée, l'appareil recherche la fréquence optimale de la station actuelle.

AF NON : la fonction AF est désactivée.

EQ - Égaliseur

Tournez le multicontrolleur pour sélectionner l'un des réglages FLAT, CLASSIC, ROCK, POP ou EQ OFF. L'égaliseur est désactivé lorsque EQ OFF est sélectionné. Le réglage de l'égaliseur s'affiche en bas de l'écran.

AVOL - Réglage du volume à la mise en marche de la radio.

Tournez le bouton VOL pour régler le volume utilisé lorsque vous allumez la radio.

STEREO / MONO - Réglage de la sortie audio.

Tournez le bouton VOL pour régler la sortie audio sur stéréo ou mono en mode radio. Lorsque vous recevez une station stéréo, l'icône stéréo s'affiche à l'écran.

LOUD - Activer / désactiver la fonction de volume.

Tournez le bouton VOL pour augmenter le niveau de base ou le niveau des aigus (LOUD ON) ou pour désactiver la fonction (LOUD OFF). Lorsque la fonction de volume est activée, LOUD s'affiche à droite de l'écran.

HAUT-PARLEUR

Tournez le bouton VOL pour activer ou désactiver les haut-parleurs intégrés.

DX / LOCAL - Réglage de la sensibilité de réception

Tournez le bouton VOL pour régler la sensibilité de réception sur les stations nationales (DX) ou les stations régionales (LOCAL).

ADJ - Réglage de l'heure

Tournez le bouton VOL vers la droite pour régler les minutes et vers la gauche pour régler les heures.

Remarque : l'appareil est équipé d'une horloge commandée par RDS. L'horloge se règle automatiquement lorsque la fonction RDS est activée. Et continue de fonctionner lorsque la radio est éteinte. Si vous ne recevez pas de signal RDS, vous pouvez régler l'heure manuellement.

Fonctions radio**Sélectionner la bande de présélection**

Appuyez sur le bouton **BD** pour passer d'une bande de présélection à l'autre (FM1, FM2, FM3). Chaque bande de présélection couvre une bande de fréquences et dispose de 6 emplacements de mémoire.

Recherche automatique des chaînes

Maintenez la touche **▶▶** ou **◀◀** enfoncée pour lancer la recherche automatique des chaînes. La recherche s'arrête lorsqu'une station est trouvée.

Sélection manuelle d'une station

Appuyez brièvement sur la touche **▶▶** ou **◀◀** pour changer de fréquence jusqu'à ce que la fréquence souhaitée soit réglée.

Mémoriser des stations de radio

Maintenez l'une des touches 1 à 6 enfoncée pendant environ 3 secondes pour mémoriser la station actuellement sélectionnée. L'affichage de la des chiffres 1 à 6 sur l'écran indique que la station a été mémorisée avec succès.

Sélection des stations mémorisées

Appuyez sur **BD** pour sélectionner la bande de mémoire de la station (FM1, FM2, FM3). Appuyez sur l'un des boutons 1 à 6 pour sélectionner la station mémorisée.

Mémorisation automatique

Maintenez le bouton **A/PS** enfoncé pendant 3 secondes. La recherche commence immédiatement et se poursuit pendant environ 5 secondes à chaque station trouvée. L'affichage de la station et/ou la fréquence de la station clignote et l'emplacement de la mémoire s'affiche. La recherche se poursuit automatiquement lorsque des stations faibles sont trouvées.

Défilement des stations mémorisées

Appuyez brièvement sur le bouton **A/PS**. Toutes les stations sont brièvement sélectionnées. Lorsque vous entendez la station souhaitée, appuyez sur le bouton **A/**.

PS sur la touche. La station sélectionnée reste sélectionnée.

Type de programme (PTY)

Cette fonction vous permet de rechercher un type de chaîne spécifique. Les réglages suivants sont possibles : POP M, ROCK M, ACTUALITÉS, AFFAIRS, INFO, EASY M, LIGHT M, SPORT, EDUCATE, DRAMA, CLASSICS, OTHER M, SCIENCES CULTURELLES, VARIÉ, JAZZ, COUNTRY, MÉTÉO, FINANCES, ENFANTS, NATION M, OLDIES, SOCIAL, RELIGION, TÉLÉPHONE IN, FOLK M, VOYAGES, LOISIRS, DOCUMENT

Remarque : veuillez noter que ces informations dépendent de la région, de la station de radio et de la chaîne.

Réglage de l'ID PTY

- Maintenez le bouton **MD** enfoncé jusqu'à ce que le message **PTY** s'affiche en bas de l'écran.
- Appuyez ensuite sur l'une des touches 1 à 6 pour sélectionner l'entrée **PTY** souhaitée.
- Pour basculer entre les entrées **PTY** "Musical style" et "Vocal style", appuyez à nouveau sur le bouton **MD** lorsque la première entrée est affichée.

Les touches 1 à 6 sont attribuées comme suit :

Genre de musique

1 Pop M, Rock M	2 Easy M, Light M	3 Classics, Other M
4 Jazz, Country	5 Nation M, Oldies	6 Folk M

Style de chant

1 News, Affairs, Info	2 Sport, Educate, Drama	3 Culture, Science, Variety
4 Météo, finances, enfants	5 Social, religion, téléphone IN	6 Voyages, loisirs, document

Si aucune autre entrée n'est effectuée pendant 2 secondes, une recherche automatique des stations correspondant à l'entrée **PTY** commence. La recherche s'arrête lorsque la première station est trouvée.

Désactiver / activer la fonction PTY

- Appuyez sur la touche **MD** pour activer la recherche PTY. Le symbole **PTY** s'affiche à l'écran avec la dernière entrée PTY sélectionnée (par ex. POP M, Rock M...).
- Appuyez sur la touche **MD** pour désactiver la recherche PTY. **PTY** n'est plus affiché à l'écran.

Recherche de stations par PTY ID

Si vous ne saisissez rien pendant 2 secondes alors qu'un **PTY ID** est affiché, une recherche automatique des stations correspondant à ce **PTY ID** est lancée. Si aucune station correspondant à ce **PTY ID** n'est trouvée, **PTY NONE** s'affiche brièvement et la recherche se termine sur la dernière station trouvée. la recherche se termine alors à la dernière station réglée.

Port USB

L'appareil peut traiter des supports de données USB jusqu'à 16 Go.

Raccordement des supports de données

- Poussez le capuchon de protection du port USB vers la droite.
- Connectez votre périphérique USB au port.
- Pour vous protéger de la saleté, remplacez le capuchon de protection sur le port USB lorsque aucun dispositif USB n'est connecté.

Card reader

The device can process SD/MMC memory cards up to 2 GB, and SDHC memory cards up to 32 GB.

Connecting data carriers



Push a memory card into the memory card slot with the lettering pointing upwards.

Fonctions de lecture MP3/WMA



Lecture

- L'appareil peut lire des fichiers au format MP3 et WMA.
- Le mélange de titres et de répertoires au même niveau peut entraîner des problèmes de lecture.
- Pendant la lecture, les informations de la balise ID3 du fichier MP3 sont lues et affichées en alternance à l'écran.
- La lecture du titre MP3 ou WMA sur le périphérique USB ou la carte mémoire commence automatiquement.

Arrêter la lecture

Appuyer sur la touche   pour arrêter la lecture. Appuyer à nouveau sur la touche 1 PAU pour reprendre la lecture. Remarque: Maintenir la touche 1 PAU enfoncée pour lire le premier titre du périphérique de stockage.

Sauter un titre

Appuyez sur la touche   sélectionner le titre suivant ou précédent. Le numéro du titre s'affiche à l'écran.

Avance/retour rapide

Maintenez la touche ou enfoncée plus longtemps pour démarrer une avance ou un retour rapide.

Fonction de répétition (RPT - Repeat)

Appuyez plusieurs fois sur la touche 2 RPT pour passer d'une fonction de répétition à l'autre. Les réglages suivants sont disponibles :

- RPT UN** : le titre actuel est répété.
- RPT DIR** : tous les titres du répertoire actuel sont répétés.
- RPT ALL** : tous les titres du support de stockage sont répétés.

Échantillonnage des titres

Appuyez sur la touche 3 INT. Tous les titres sont lus l'un après l'autre pendant environ 10 secondes. Appuyez sur la touche 3 INT pour lancer la lecture du titre actuellement sélectionné.

Lecture aléatoire de tous les titres (RDM - Random)

Appuyez sur la touche 4 RDM. Une lecture aléatoire est lancée. Appuyez sur la touche 4 RDM pour reprendre la lecture normale. La lecture reprend normalement.

Sauter un répertoire

Appuyez sur la touche 6 FL+ pour passer au répertoire suivant ou sur la touche 5 FL- pour passer au répertoire précédent. pour sauter au répertoire suivant. La lecture commence automatiquement.

Fonctions de recherche

Recherche par numéro de titre

- Appuyez sur le bouton **A/PS**.
- Tournez le bouton **VOL** pour régler le premier chiffre du numéro de titre souhaité.
- Appuyez sur le bouton **SEL** pour confirmer l'entrée et passer à l'entrée du deuxième, troisième ou quatrième chiffre.
- Appuyez sur le bouton **1 PAU** pour lancer la lecture du titre sélectionné.

Recherche par nom de titre

- Appuyez deux fois sur le bouton **A/PS**. La recherche par nom de titre commence immédiatement. Si aucun titre n'est trouvé avec le chiffre réglé est trouvé.
- Tournez le bouton **VOL** jusqu'à ce que le caractère ou le chiffre souhaité s'affiche.
- Appuyez sur le bouton **▶▶** ou **◀◀** pour confirmer le jeu de caractères et afficher tous les titres qui commencent par le caractère souhaité.
- Appuyez sur la touche **1 PAU** pour lancer la lecture du titre affiché.

Recherche de répertoires

- Appuyez trois fois sur le bouton **A/PS**. Le répertoire en cours de lecture s'affiche.
- Tournez le bouton **VOL** pour faire défiler les répertoires disponibles.
- Appuyez sur le bouton **1 PAU** pour sélectionner le répertoire actuellement affiché. La lecture de la première piste du répertoire commence immédiatement.
- sélectionnée commence immédiatement.

Connecter un appareil audio externe à l'appareil

Connectez la sortie audio d'un appareil audio externe (par exemple un lecteur MP3) à la prise jack stéréo de 3,5 mm sur la face avant de l'appareil. **AUX IN** sur le panneau avant de l'appareil. Sélectionnez la lecture de l'entrée audio en appuyant plusieurs fois sur la touche **MD** jusqu'à ce que **AUX** s'affiche à l'écran.

Sauvegarde de la mémoire

Cet appareil est équipé d'une mémoire I.C. (circuit intégré) intégrée pour sauvegarder les réglages de l'utilisateur, tels que les stations pré-réglées du tuner et les réglages de contrôle audio. Lorsque l'appareil est débranché du secteur, ces réglages ne sont pas perdus.

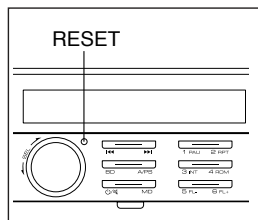
Réinitialisation

Pour réinitialiser l'appareil aux paramètres d'usine, maintenez le bouton **RESET** enfoncé pendant 6 secondes. avec un objet pointu, par exemple un stylo.

Réinitialisez l'appareil :

- lors de la première mise en service,
- après avoir branché le câble,
- lorsque toutes les touches de fonction ne fonctionnent pas
- lorsqu'un message d'erreur s'affiche à l'écran.

Remarque : pour accéder au bouton **RESET**, il faut retirer complètement le panneau frontal, voir aussi le paragraphe "Retrait du panneau frontal".



SPÉCIFICATIONS TECHNIQUES

SECTION LECTEUR MP3/WMA

SECCIÓN DEL REPRODUCTOR MP3/WMA

Relación señal/ruido	> 60 dB
Separación de canales	> 50 dB (1kHz)
Respuesta en frecuencia	60Hz - 15kHz

SINTONIZADOR FM

Gama de frecuencias	87,5-108 MHz
Sensibilidad	2,8 μ V
Separación estéreo	30 dB
Relación señal/ruido	45 dB
Paso de canal de	50 kHz

LINE-OUT

Salida	5V (máx.)
Impedancia	10k Ohm

ENTRADA AUX DELANTERA

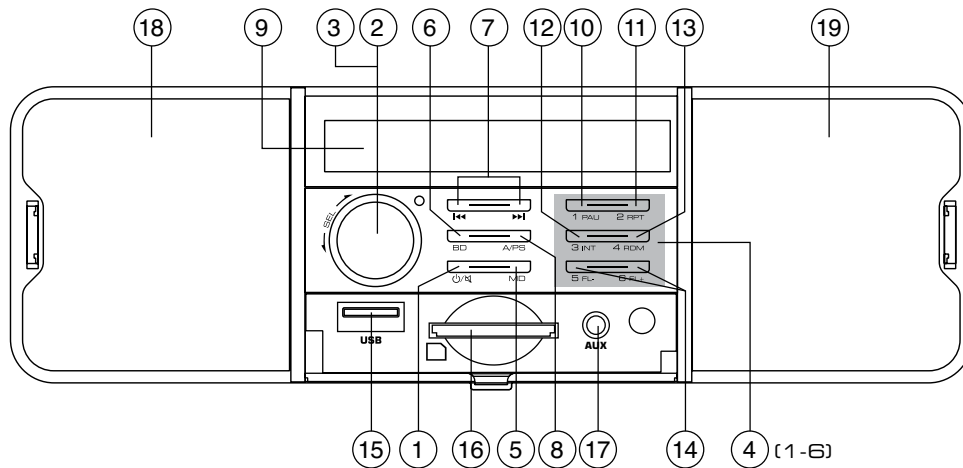
Respuesta en frecuencia	60 Hz - 20 kHz
Sensibilidad	775 mV
Impedancia	20k Ohm

GENERAL

Alimentación	24V DC (10,8-32V permitidos)
Impedancia de los altavoces	4 u 8 Ohm
Potencia de salida	25W x 4CH
Fusible de	7,5 A

Nota: Las especificaciones y el diseño están sujetos a cambios sin previo aviso debido a las mejoras.

Localización de piezas y controles



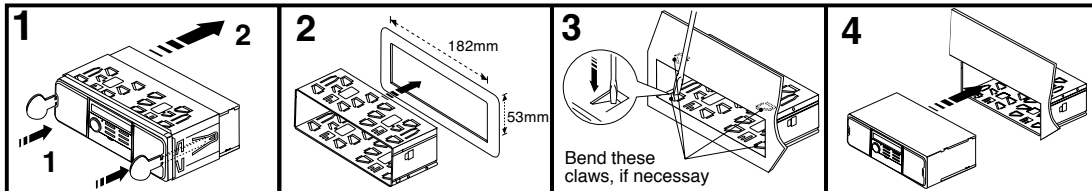
1. Encendido y apagado del aparato (⏻) / Apagado del sonido (MU)
2. Cómo entrar en el menú de configuración
3. Gire para ajustar los valores/volumen
4. Estaciones preseleccionadas (1,2,3,4,5,6)
5. Ajuste del modo de funcionamiento (MD) / Ajuste de la función PTY (PTY)
6. Selección de la banda de memoria (BD) / Visualización de la información de la pantalla (DISP)
7. Búsqueda de pista/estación hacia atrás/adelante (◀▶)
8. Función de memoria / búsqueda automática de emisoras durante la reproducción de MP3/WMA (A/PS)
9. Pantalla LCD
10. Pausa de la reproducción (1 PAU)
11. Función de repetición (2 RPT)
12. Función de introducción (3 INT)
13. Reproducción aleatoria (4 RDM)
14. Directorio hacia atrás/adelante (sólo archivos MP3/WMA) (5 FL-/6 FL+)
15. Conexión USB
16. Lector de tarjetas para tarjetas SD
17. Toma de entrada estéreo de 3,5 mm para conectar un dispositivo de audio externo
18. Altavoz izquierdo
19. Altavoz derecho

Instalación

PRECAUCIONES

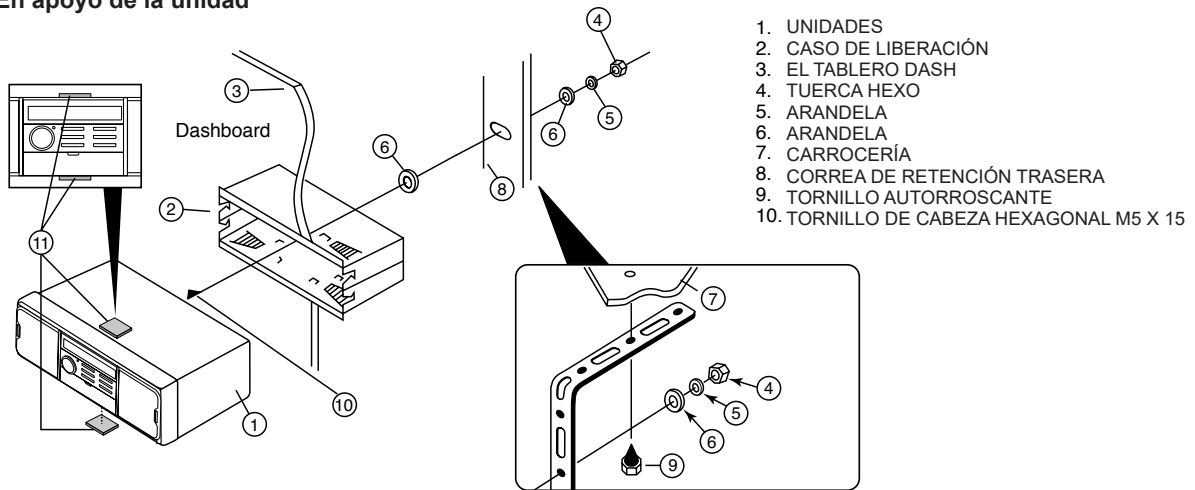
- Elija cuidadosamente el lugar de instalación para que el dispositivo no interfiera con las funciones normales de conducción del conductor.
- Evite montar la unidad en un lugar donde esté expuesta a altas temperaturas, como la luz solar directa o el aire caliente del calentador. O el polvo, la suciedad o el exceso de vibraciones.
- Utilice únicamente el material de montaje suministrado para garantizar una instalación segura.
- Asegúrese de retirar el panel frontal antes de instalar la unidad.

NOTA: El ángulo de inclinación al instalar el autorradio no debe superar los 30°, de lo contrario el panel frontal no se abrirá.



Nota: Guarde la llave de desbloqueo en un lugar seguro, ya que puede necesitarla en el futuro para retirar la unidad del vehículo.

En apoyo de la unidad



Conexión por cable

Toma RCA Salida de línea:
Rojo (derecha) Blanco (izquierda)

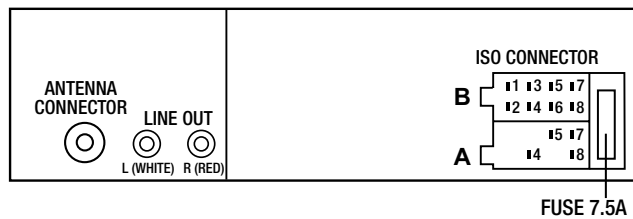
CONEXIÓN A

4. MEMORIA +24V
5. SALIDA DE LA ANTENA DEL COCHE
7. +24V (A LA LLAVE DE CONTACTO)
8. TIERRA

Nota: (La conexión A nº 7) debe conectarse a la llave de contacto del coche para evitar que se descargue la batería del coche si éste no se utiliza durante mucho tiempo.

CONECTOR B

1. ALTAVOZ TRASERO DERECHO (+)
2. ALTAVOZ TRASERO DERECHO (-)
3. ALTAVOZ DELANTERO DERECHO (+)
4. ALTAVOZ DELANTERO DERECHO (-)
5. ALTAVOZ DELANTERO IZQUIERDO (+)
6. ALTAVOZ DELANTERO IZQUIERDO (-)
7. ALTAVOZ TRASERO IZQUIERDO (+)
8. ALTAVOZ TRASERO IZQUIERDO (-)



Funcionamiento general

Encendido y apagado

Pulse cualquier tecla para encender la unidad. Para apagar el aparato, mantenga pulsada la tecla /MU.

Volumen

Gire el botón VOL(3) para ajustar el volumen.

Para activar/desactivar la función de silencio

Pulse brevemente el botón /MU para silenciar el sonido. Pulse de nuevo el botón /MU para volver a activar el sonido. El silenciamiento se cancela cuando se recibe una emisora PTY o TA.

Modo de funcionamiento

Pulse el botón MD para cambiar entre los modos AUX/TUNER/USB/SD.

Mostrar

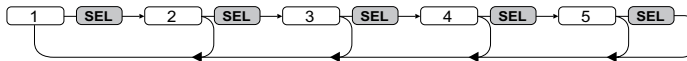
Mantenga pulsado el botón BD para mostrar la siguiente información en secuencia:

Emisora de radio, hora (ajustada automáticamente durante la recepción RDS), frecuencia y ajustes PTY (estas funciones RDS. Estas funciones RDS son transmitidas por las emisoras de radio en diferentes volúmenes; véase también el apartado "Funciones de radio").

Ajustes con la tecla SEL(2) (VOL/BAS/TRE/BAL/FAD)

Pulse la tecla SEL del aparato. Se muestra el nivel de volumen actual. Cada vez que se pulsa la tecla SEL llamará a la siguiente configuración.

Son posibles las siguientes configuraciones:



1. volumen 2. graves 3. agudos 4. balance 5. fader

Gire el botón VOL(3) para cambiar los ajustes de la opción de menú mostrada

Otros ajustes con el botón SEL (TA/AF/EQ/AVOL/STEREO/LOUD/SPEAKER/LOCAL/ADJUST CLOCK)

- Mantenga pulsado el botón SEL durante unos 2 segundos y, a continuación, pulse el botón SEL hasta que aparezca la función deseada en la pantalla.
- Gire el botón VOL para cambiar los ajustes de la opción de menú mostrada.



TA - Activar / desactivar el anuncio de tráfico (información de tráfico).

TA ON: Cuando se activa el modo TA, la unidad pasa inmediatamente de otras emisoras o modos de funcionamiento a la estación de radio estación que transmite actualmente información de tráfico.

Nota: Cuando la función TA está activada, sólo puede buscar o almacenar emisoras que estén transmitiendo información de tráfico. Transmitir información. Las estaciones que transmiten información de tráfico están marcadas como TP en la pantalla.

TA OFF: La función TA está desactivada.

AF - Activar/desactivar las frecuencias alternativas.

AF ON: Cuando la función AF está activada, el aparato busca la frecuencia óptima de la emisora actual.

AF OFF: La función AF está desactivada.

EQ - Ecualizador

Gire el multicontrolador para seleccionar uno de los ajustes FLAT, CLASSIC, ROCK, POP o EQ OFF. El ecualizador se desactiva cuando se ajusta EQ OFF. El ajuste del ecualizador se muestra en la parte inferior de la pantalla.

AVOL - Ajuste del volumen cuando la radio está encendida.

Gire el botón VOL para ajustar el volumen utilizado cuando la radio está encendida.

STEREO / MONO - Ajuste de la salida de audio

Gire el botón VOL para ajustar la salida de audio a estéreo o mono en el modo radio. Cuando recibe una emisora en estéreo, el símbolo de estéreo aparece en la pantalla.

LOUD - Activar / desactivar la función de volumen.

Gire el botón VOL para aumentar el nivel de base o de agudos (LOUD ON) o para desactivar la función (LOUD OFF). Cuando la función de volumen está activada, aparece LOUD en la parte derecha de la pantalla.

LOUDSPEAKER

Gire el botón VOL para activar o desactivar los altavoces integrados.

DX / LOCAL - Ajustar la sensibilidad de recepción

Gire el botón **VOL** para ajustar la sensibilidad de recepción a las emisoras nacionales (DX) o regionales (LOCAL).

ADJ - Ajuste de la hora

Gire el botón **VOL** hacia la derecha para ajustar los minutos y hacia la izquierda para ajustar las horas.

Nota: La unidad tiene un reloj controlado por RDS. El reloj se ajusta automáticamente cuando se activa la función RDS y sigue funcionando cuando se apaga la radio. Y sigue funcionando cuando se apaga la radio. Si no recibe una señal RDS, puede ajustar la hora manualmente.

Funciones de radio
Selección de la banda de memoria de la emisora

Pulse el botón **BD** para cambiar entre las bandas de memoria de emisoras (FM1, FM2, FM3). La banda de memoria de cada estación cubre gama de frecuencias y tiene 6 posiciones de memoria.

Búsqueda automática de emisoras

Mantenga pulsada la tecla **▶▶** o **◀◀** para iniciar la búsqueda automática de emisoras. La búsqueda se detiene cuando se encuentra una estación.

Selección manual de estaciones

Pulse brevemente el botón **▶▶** o **◀◀** para cambiar la frecuencia hasta que se ajuste la frecuencia deseada.

Almacenamiento de emisoras de radio

Mantenga pulsado uno de los botones 1 a 6 durante unos 3 segundos para almacenar la emisora actualmente seleccionada. La pantalla de los dígitos 1 a 6 en la pantalla indica que la emisora se ha almacenado con éxito.

Selección de emisoras almacenadas

Pulse **BD** para seleccionar la banda de memoria de la emisora (FM1, FM2, FM3). Pulse uno de los botones 1 a 6 para seleccionar la emisora almacenada.

Almacenamiento automático

Mantenga pulsada la tecla **A/PS** durante 3 segundos. La búsqueda se inicia inmediatamente y continúa durante unos 5 segundos por cada estación encontrada. La pantalla de la emisora y/o la frecuencia de la emisora parpadean y se muestra la posición de la memoria. El La búsqueda continúa automáticamente si se encuentran estaciones débiles.

Desplazamiento por las emisoras memorizadas

Pulse brevemente la tecla **A/PS**. Se seleccionan brevemente todas las estaciones. Cuando escuche la emisora deseada, pulse la tecla **A/** Llave **PS**. La estación seleccionada permanece seleccionada.

Tipo de programa (PTY)

Esta función permite buscar un tipo de emisora específico. Son posibles las siguientes configuraciones:

POP M, ROCK M, NOTICIAS, ASUNTOS, INFO, EASY M, LIGHT M, DEPORTES, EDUCAR, DRAMA, CLÁSICOS, OTROS M, ESTUDIOS CULTURALES, VARIADO, JAZZ, COUNTRY, TIEMPO, FINANZAS, NIÑOS, NACIÓN M, OLDIES, SOCIAL, RELIGIÓN, PHONE IN, FOLK M, VIAJES, OCIO, DOCUMENTAL

Nota: Tenga en cuenta que esta información depende de la región, la emisora y el canal.

Configuración de la ID de PTY

- Mantenga pulsado el botón **MD** hasta que aparezca el mensaje **PTY** en la parte inferior de la pantalla.

- A continuación, pulse uno de los botones 1 a 6 para seleccionar la entrada **PTY** deseada.

- Para cambiar entre las entradas **PTY** "Estilo musical" y "Estilo vocal", pulse de nuevo el botón **MD** cuando se muestre la primera entrada **PTY**.

Las teclas 1 a 6 se asignan de la siguiente manera:

Estilo de música

1 Pop M, Rock M	2 Easy M, Light M	3 Clásicos, Otros M
4 Jazz, Country	5 Nation M, Oldies	6 Folk M

Estilo vocal

1 Noticias, Asuntos, Información	2 Deporte, Educar, Drama	3 Cultura, Ciencia, Variedad
4 Tiempo, Finanzas, Niños	5 Social, Religión, Teléfono IN	6 Viajes, Ocio, Documento

Si no se realiza ninguna otra entrada durante 2 segundos, se inicia una búsqueda automática de emisoras que coincidan con la entrada **PTY**. La búsqueda se detiene cuando se encuentra la primera estación.

Desactivación/activación de la función PTY

- Pulse la tecla MD para activar la búsqueda PTY. El símbolo PTY se muestra en la pantalla con la última entrada PTY seleccionada (por ejemplo, POP M, Rock M...). En la búsqueda de emisoras sólo se incluyen las emisoras con el ID de PTY seleccionado en ese momento.

búsqueda de emisoras.

- Pulse de nuevo la tecla MD para desactivar la búsqueda de PTY. PTY ya no se muestra en la pantalla.

Búsqueda de emisoras por PTY ID

Si no introduce nada durante 2 segundos mientras se muestra un ID de PTY, se inicia una búsqueda automática de emisoras que coincidan con esta ID de PTY. Si no se encuentra ninguna emisora que coincida con este ID de PTY, se muestra brevemente PTY NONE y

la búsqueda finaliza en la última emisora ajustada.

Puerto USB

El aparato puede procesar soportes de datos USB de hasta 16 GB.

Conexión de soportes de datos

- Empuje la tapa protectora del puerto USB hacia la derecha.

- Conecte su dispositivo USB al puerto.

- Para protegerlo de la suciedad, vuelva a colocar la tapa protectora del puerto USB cuando no haya ningún dispositivo USB conectado.

Lector de tarjetas

El dispositivo puede procesar tarjetas de memoria SD/MMC de hasta 2 GB, y tarjetas de memoria SDHC de hasta 32 GB.

Conectar soportes de datos

Introduzca una tarjeta de memoria en la ranura para tarjetas de memoria con las letras hacia arriba.

Funciones de reproducción de MP3/WMA**Reproducción**

- La unidad puede reproducir archivos en formato MP3 y WMA.

- La mezcla de títulos y directorios en el mismo nivel puede causar problemas durante la reproducción.

- Durante la reproducción, la información de la etiqueta ID3 del archivo MP3 se lee y se muestra alternativamente en la pantalla.

- La reproducción del título MP3 o WMA del dispositivo USB o de la tarjeta de memoria se inicia automáticamente.

Detener la reproducción

Pulse el botón 1 PAU para detener la reproducción. Pulse de nuevo el botón 1 PAU para reanudar la reproducción.

Nota: Mantenga pulsado el botón 1 PAU para reproducir la primera pista del soporte de almacenamiento.

Saltar la pista

Pulse el botón ►► o ◀◀ para seleccionar la pista siguiente o anterior. El número de pista aparece en la pantalla.

Avance rápido/rebobinado

Mantenga pulsado el botón ►► o ◀◀ para avanzar o rebobinar.

Función de repetición (RPT - Repeat)

Pulse varias veces la tecla 2 RPT para cambiar entre las funciones de repetición. Están disponibles los siguientes ajustes:

RPT UNO: Se repite el título actual.

RPT DIR: Se repiten todos los títulos del directorio actual.

RPT ALL: Se repiten todos los títulos del soporte de almacenamiento.

Muestreo de títulos

Pulse la tecla 3 INT. Todos los títulos se reproducen sucesivamente durante unos 10 segundos. Pulse el botón 3

INT para iniciar la reproducción del título seleccionado.

Reproducción aleatoria de todos los títulos (RDM - Random)

Pulse el botón 4 RDM. Se inicia la reproducción aleatoria. Pulse el botón 4 RDM para reanudar la reproducción normal. reproducción normal de nuevo.

Saltar directorio

Pulse el botón 6 FL+ para saltar al siguiente directorio o el botón 5 FL- para saltar al directorio anterior.

salto. La reproducción se inicia automáticamente.

Funciones de búsqueda

Búsqueda por número de pista

- Pulse el botón A/PS.
- Gire el botón VOL para ajustar el primer dígito del número de pista deseado.
- Pulse el botón SEL para confirmar la entrada y pasar a la entrada del segundo, tercer o cuarto dígito.
- Pulse el botón 1 PAU para iniciar la reproducción de la pista seleccionada.

Búsqueda por nombre de título

- Pulse dos veces el botón A/PS. La búsqueda de nombres de pistas comienza inmediatamente. Si no se encuentra ningún título con el se encuentra el número del conjunto.
- Gire el botón VOL hasta que aparezca el carácter o dígito deseado.
- Pulse el botón ►► o ◀◀ para confirmar el conjunto de caracteres y mostrar todos los títulos que comienzan con el carácter.
- Pulse el botón 1 PAU para iniciar la reproducción del título mostrado.

Búsqueda de directorios

- Pulse tres veces la tecla A/PS. Se muestra el directorio que se está reproduciendo actualmente.
- Gire el botón VOL para cambiar entre los directorios disponibles.
- Pulse el botón 1 PAU para seleccionar el directorio que se muestra actualmente. Reproducción de la primera pista de la El directorio seleccionado se inicia inmediatamente.

Anschließen eines externen Audiogeräts an das Gerät

Schließen Sie den Audioausgang eines externen Audiogeräts (z. B. eines MP3-Players) über einen 3,5-mm-Stereoklinkenstecker an die AUX IN-Buchse auf der Vorderseite des Geräts an. Wählen Sie die Wiedergabe des Audioeingangs durch wiederholtes Drücken der MD-Taste drücken, bis AUX auf dem Display angezeigt wird.

Speichersicherung

Dieses Gerät ist mit einem eingebauten I.C.-Speicher (integrierter Schaltkreis) ausgestattet, um Benutzereinstellungen wie voreingestellte Tuner-Sender und Audiosteuerungseinstellungen. Wenn das Gerät vom Netz getrennt wird, gehen diese Einstellungen nicht verloren.

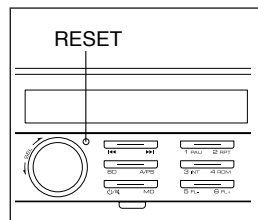
Zurücksetzen

Um das Gerät auf die Werkseinstellungen zurückzusetzen, halten Sie die RESET-Taste 6 Sekunden lang gedrückt. mit einem spitzen Gegenstand, z. B. einem Stift.

Setzen Sie das Gerät zurück:

- bei der ersten Inbetriebnahme,
- nach dem Anschließen des Kabels,
- wenn nicht alle Funktionstasten funktionieren
- wenn eine Fehlermeldung auf dem Display erscheint.

Hinweis: Um an die RESET-Taste zu gelangen, muss die Frontplatte komplett abgenommen werden, siehe auch den Abschnitt "Abnehmen der Frontplatte".



DATI TECNICI

SEZIONE LETTORE MP3/WMA

Rapporto segnale-rumore	> 60 dB
Separazione dei canali	> 50 dB (1kHz)
Risposta in frequenza	60Hz - 15 kHz

SINTONIZZATORE FM

Gamma di frequenza	87.5-108 MHz
Sensibilità	2,8 μ V
Separazione stereo	30 dB
Rapporto segnale/rumore	45 dB
Passo di canale	50 kHz

LINE-OUT

Uscita	5V (max.)
Impedenza	10k Ohm

INGRESSO AUSILIARIO ANTERIORE

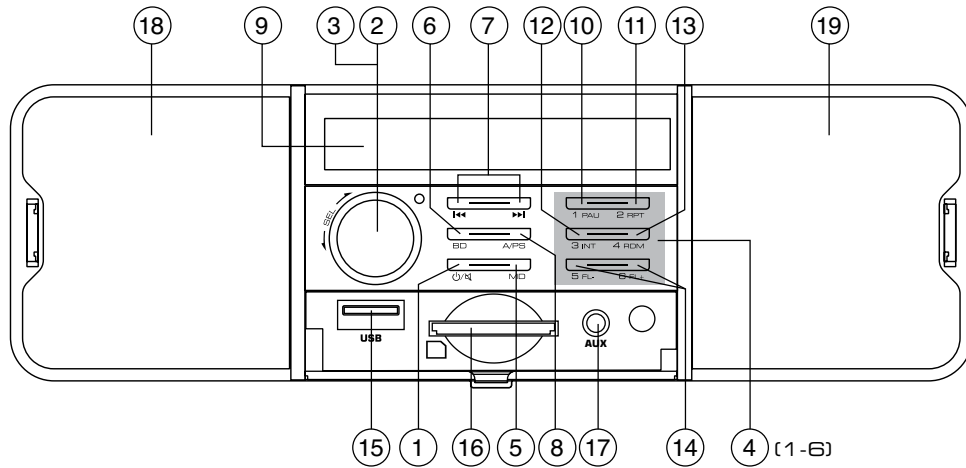
Risposta in frequenza	60 Hz - 20 kHz
Sensibilità	775 mV
Impedenza	20k Ohm

GENERALE

Alimentazione	24V DC (10.8-32V ammissibili)
Impedenza dell'altoparlante	4 o 8 Ohm
Potenza di uscita	25W x 4CH
Fusibile	7.5A

Nota: Le specifiche e il design sono soggetti a modifiche senza preavviso a causa di miglioramenti.

Posizione delle parti e dei controlli



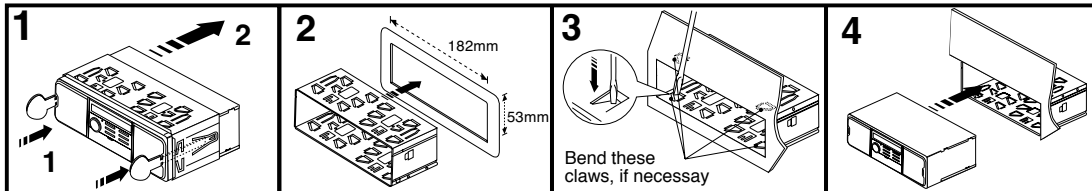
1. Accensione e spegnimento dell'unità (⏻) / Spegnimento del suono (MU)
2. Entrare nel menu Impostazioni
3. Girare per impostare i valori/volume
4. Stazioni preimpostate (1,2,3,4,5,6)
5. Impostazione del modo operativo (MD) / Impostazione della funzione PTY (PTY)
6. Selezione della banda di memoria (BD) / Visualizzazione delle informazioni del display (DISP)
7. Ricerca della traccia/stazione avanti/indietro (⏪ / ⏩)
8. Funzione di memoria/ricerca automatica delle stazioni durante la riproduzione MP3/WMA (A/PS)
9. Display LCD
10. Mettere in pausa la riproduzione (1 PAU)
11. Funzione di ripetizione (2 RPT)
12. Funzione introduttiva (3 INT)
13. Riproduzione casuale (4 RDM)
14. Directory avanti/indietro (solo file MP3/WMA) (5 FL-/6 FL+)
15. Connessione USB
16. Lettore di schede per schede SD
17. Jack di ingresso stereo da 3,5 mm per collegare un dispositivo audio esterno
18. Altoparlante sinistro
19. Altoparlante destro

Installazione

ATTENZIONE

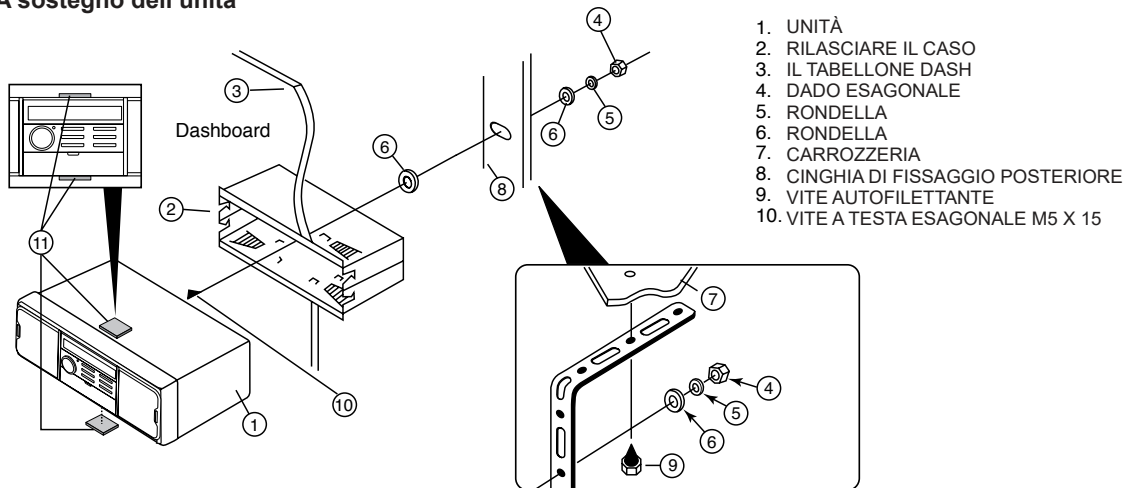
- Scegliete attentamente il luogo di installazione in modo che il dispositivo non interferisca con le normali funzioni di guida del conducente.
- Evitare di montare l'unità in un luogo dove sarà esposta ad alte temperature, come la luce diretta del sole o l'aria calda del riscaldatore.
- Usare solo il materiale di montaggio fornito per garantire un'installazione sicura.
- Assicuratevi di rimuovere il pannello frontale prima di installare l'unità.

NOTA: L'angolo di inclinazione quando si installa l'autoradio non deve superare i 30°, altrimenti il pannello frontale non si aprirà.



Nota: conservate la chiave di sblocco in un luogo sicuro, perché potreste averne bisogno in futuro per rimuovere l'unità dal veicolo.

A sostegno dell'unità



Collegamento del cavo

Preso RCA Line Out:
Rosso (destra) Bianco (sinistra)

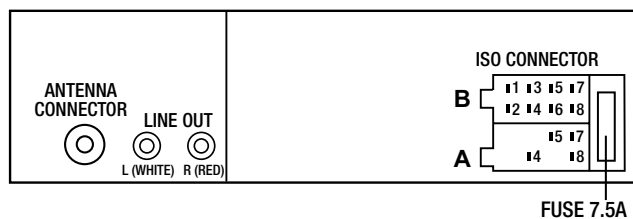
COLLEGAMENTO A

4. MEMORIA +24V
5. USCITA ANTENNA AUTO
7. +24V (ALLA CHIAVE DI ACCENSIONE)
8. TERRA

Nota: (Collegamento A n. 7) deve essere collegato alla chiave di accensione dell'auto per evitare di scaricare la batteria dell'auto se l'auto non viene utilizzata per un lungo periodo.

CONNETTORE B

1. ALTOPARLANTE POSTERIORE DESTRO (+)
2. ALTOPARLANTE POSTERIORE DESTRO (-)
3. ALTOPARLANTE ANTERIORE DESTRO (+)
4. ALTOPARLANTE ANTERIORE DESTRO (-)
5. ALTOPARLANTE ANTERIORE SINISTRO (+)
6. ALTOPARLANTE ANTERIORE SINISTRO (-)
7. ALTOPARLANTE POSTERIORE SINISTRO (+)
8. ALTOPARLANTE POSTERIORE SINISTRO (-)



Funzionamento generale

Accensione e spegnimento

Premere un tasto qualsiasi per accendere l'unità. Per spegnere l'unità, tenere premuto il tasto /MU.

Volume

Giri la manopola VOL(3) per regolare il volume.

Per attivare/disattivare la funzione mute

Premere brevemente il pulsante /MU per silenziare il suono. Premere nuovamente il pulsante /MU per riattivare il suono. Il silenziamento viene annullato quando si riceve una stazione PTY o TA.

Modalità di funzionamento

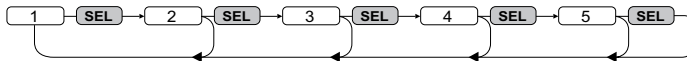
Premere il pulsante MD per passare dalla modalità AUX/TUNER/USB/SD alla modalità AUX.

Visualizza

Premere e tenere premuto il tasto BD per visualizzare le seguenti informazioni in sequenza: Stazione radio, ora (impostata automaticamente durante la ricezione RDS), frequenza e impostazioni PTY (queste funzioni RDS richiamerà l'impostazione successiva. Queste funzioni RDS sono trasmesse dalle stazioni radio in diversi volumi; vedi anche la sezione "Funzioni radio"). sezione "Funzioni radio").

Impostazioni con il tasto SEL(2) (VOL/BAS/TRE/BAL/FAD)

Premere il tasto SEL sull'unità. Viene visualizzato il livello corrente del volume. Ogni successiva pressione del tasto SEL richiamerà l'impostazione successiva. Sono possibili le seguenti impostazioni:



1. volume 2. bassi 3. alti 4. bilanciamento 5. fader

Girate la manopola VOL(3) per cambiare le impostazioni della voce di menu visualizzata

Ulteriori impostazioni con il pulsante SEL (TA/AF/EQ/AVOL/STEREO/LOUD/SPEAKER/LOCAL/ADJUST CLOCK)

- Tenere premuto il pulsante SEL per circa 2 secondi, quindi premere il pulsante SEL finché la funzione desiderata non appare sul display.
- Girare la manopola VOL per cambiare le impostazioni della voce di menu visualizzata.



TA - Abilita / disabilita l'annuncio del traffico (informazioni sul traffico).

TA ON: quando il modo TA è attivato, l'unità passa immediatamente da altre stazioni o modi operativi alla stazione radio stazione che sta trasmettendo informazioni sul traffico.

Nota: Quando la funzione TA è attivata, potete cercare o memorizzare solo le stazioni che stanno trasmettendo informazioni sul traffico.

Trasmettere informazioni. Le stazioni che trasmettono informazioni sul traffico sono marcate TP sul display.

TA OFF: la funzione TA è disattivata.

AF - Attiva/disattiva le frequenze alternative.

AF ON: Quando la funzione AF è attivata, l'unità cerca la frequenza ottimale della stazione corrente.

AF OFF: La funzione AF è disattivata.

EQ - Equalizzatore

Ruotare il multi-controller per selezionare una delle impostazioni FLAT, CLASSIC, ROCK, POP o EQ OFF.

L'equalizzatore è disattivato quando è impostato EQ OFF. L'impostazione dell'equalizzatore viene visualizzata nella parte inferiore del display.

AVOL - Regola il volume quando la radio è accesa.

Ruotare la manopola VOL per regolare il volume utilizzato quando la radio è accesa.

STEREO / MONO - Regolazione dell'uscita audio.

Ruotare la manopola VOL per impostare l'uscita audio su stereo o mono in modalità radio. Quando si riceve una stazione stereo, il simbolo stereo appare sul display.

LOUD - Abilita / disabilita la funzione del volume.

Giri la manopola VOL per aumentare il livello della base o degli alti (LOUD ON) o per disattivare la funzione (LOUD OFF). Quando la funzione volume è attivata, LOUD viene visualizzato sulla destra del display.

LOUDSPEAKER

Ruotare la manopola VOL per attivare o disattivare gli altoparlanti integrati.

DX / LOCAL - Imposta la sensibilità di ricezione

Giri la manopola **VOL** per impostare la sensibilità di ricezione sulle stazioni nazionali (DX) o regionali (LOCAL).

ADJ - Impostazione dell'ora

Ruotare la manopola **VOL** a destra per impostare i minuti e a sinistra per impostare le ore.

Nota: L'unità ha un orologio controllato da **RDS**. L'orologio si imposta automaticamente quando si attiva la funzione **RDS** e continua a funzionare quando la radio è spenta.

e continua a funzionare quando la radio è spenta. Se non riceve un segnale **RDS**, può impostare l'ora manualmente.

Impostare l'ora manualmente.

Funzioni radio**Selezione della banda preimpostata**

Premere il tasto **BD** per passare da una banda all'altra (FM1, FM2, FM3). Ogni banda di memoria della stazione copre gamma di frequenza e ha 6 preset.

Ricerca automatica delle stazioni

Tenere premuto il tasto **MEM** o **MEM** per avviare la ricerca automatica della stazione. La ricerca si ferma quando viene trovata una stazione.

Selezione manuale della stazione

Premere brevemente il pulsante **MEM** o **MEM** per cambiare la frequenza fino a impostare la frequenza desiderata.

Memorizzazione delle stazioni radio

Tenere premuto uno dei pulsanti da 1 a 6 per circa 3 secondi per memorizzare la stazione attualmente selezionata. Il display delle cifre da 1 a 6 sul display indica che la stazione è stata salvata con successo.

Selezione delle stazioni memorizzate

Premere **BD** per selezionare la banda di memoria della stazione (FM1, FM2, FM3). Premere uno dei pulsanti da 1 a 6 per selezionare la stazione memorizzata.

Salvataggio automatico

Tenere premuto il pulsante **A/PS** per 3 secondi. La ricerca inizia immediatamente e rimane per circa 5 secondi ad ogni stazione trovata. Il display della stazione e/o la frequenza della stazione lampeggiano e viene visualizzata la posizione della memoria. Il la ricerca continua automaticamente se si trovano stazioni deboli.

Scorrere le stazioni memorizzate

Premere brevemente il tasto **A/PS**. Tutte le stazioni sono selezionate brevemente. Quando si sente la stazione desiderata, premere il tasto **A/ Chiave PS**. La stazione selezionata rimane selezionata.

Tipo di programma (PTY)

Questa funzione vi permette di cercare un tipo specifico di stazione. Sono possibili le seguenti impostazioni: POP M, ROCK M, NOTIZIE, AFFARI, INFO, EASY M, LIGHT M, SPORT, EDUCARE, DRAMMA, CLASSICI, ALTRO M, STUDI CULTURALI, VARIO, JAZZ, COUNTRY, METEO, FINANZA, BAMBINI, NAZIONE M, OLDIES, SOCIALE, RELIGIONE, PHONE IN, FOLK M, VIAGGIO, TEMPO LIBERO, DOCUMENTARIO

Nota: Si prega di notare che queste informazioni dipendono dalla regione, dall'emittente e dalla stazione.

Impostazione dell'ID PTY

- Premere e tenere premuto il pulsante **MD** fino a quando il messaggio **PTY** appare nella parte inferiore del display.

- Poi premere uno dei tasti da 1 a 6 per selezionare la voce **PTY** desiderata.

- Per passare tra le voci **PTY** "Stile musicale" e "Stile vocale", premere nuovamente il tasto **MD** quando viene visualizzata la prima voce **PTY**. Viene visualizzata la voce **PTY**.

I tasti da 1 a 6 sono assegnati come segue:

Stile di musica

1 Pop M, Rock M

4 Jazz, Country

2 Easy M, Light M

5 Nazione M, Oldies

3 Classici, Altri M

6 Folk M

Stile vocale

1 Notizie, Affari, Info

4 Meteo, Finanza, Bambini

2 Sport, Educazione, Dramma

5 Sociale, Religione, Telefono IN

3 Cultura, Scienza, Varietà

6 Viaggi, Tempo libero, Documento

Se non viene effettuato nessun altro inserimento per 2 secondi, inizia una ricerca automatica delle stazioni corrispondenti alla voce **PTY**. La ricerca si ferma quando viene trovata la prima stazione.

Disabilitare/abilitare la funzione PTY

• Premere il tasto MD per attivare la ricerca PTY. Il simbolo PTY viene visualizzato sul display con l'ultima voce PTY selezionata (ad esempio POP M, Rock M...). Solo le stazioni con l'ID PTY attualmente selezionato sono incluse nella ricerca delle stazioni.

• **Premere nuovamente il tasto MD per disattivare la ricerca PTY. PTY non viene più visualizzato sul display.**

Ricerca delle stazioni per PTY ID

Se non si inserisce nulla per 2 secondi mentre viene visualizzato un PTY ID, viene avviata una ricerca automatica delle stazioni corrispondente a questo PTY ID. Se non viene trovata nessuna stazione corrispondente a questo PTY ID, viene visualizzato brevemente PTY NONE e la ricerca termina con l'ultima stazione impostata.

Porta USB

L'apparecchio può elaborare supporti dati USB fino a 16 GB.

Collegamento dei supporti dati

- Spingete il cappuccio di protezione della porta USB verso destra.
- Collegare il dispositivo USB alla porta.
- Per proteggere dalla sporcizia, rimettete il cappuccio protettivo sulla porta USB quando non è collegato nessun dispositivo USB.

Letto di schede

Il dispositivo può elaborare schede di memoria SD/MMC fino a 2 GB, e schede di memoria SDHC fino a 32 GB.

Collegamento dei supporti dati

Spingere una scheda di memoria nello slot della scheda di memoria con la scritta rivolta verso l'alto.

Funzioni di riproduzione MP3/WMA


Riproduzione

- L'unità può riprodurre file in formato MP3 e WMA.
- Mischiare titoli e directory sullo stesso livello può causare problemi durante la riproduzione.
- Durante la riproduzione, le informazioni del tag ID3 del file MP3 vengono lette e mostrate alternativamente sul display.
- La riproduzione del titolo MP3 o WMA sul dispositivo USB o sulla scheda di memoria inizia automaticamente.

Fermare la riproduzione

Premere il tasto 1 PAU per fermare la riproduzione. Premere nuovamente il pulsante 1 PAU per riprendere la riproduzione. Nota: tenere premuto il pulsante 1 PAU per riprodurre il primo brano del supporto di memorizzazione..

Saltare una traccia

Premere il pulsante   selezionare la traccia successiva o precedente. Il numero della traccia appare sul display.

Avanzamento/riavvolgimento veloce

Tenere premuto il pulsante   avanzare o riavvolgere velocemente.

Funzione di ripetizione (RPT - Repeat)

Premere più volte il tasto 2 RPT per passare da una funzione di ripetizione all'altra. Sono disponibili le seguenti impostazioni:

RPT ONE: il titolo attuale viene ripetuto.

RPT DIR: tutti i titoli nella directory corrente vengono ripetuti.

RPT ALL: tutti i titoli del supporto di memorizzazione vengono ripetuti.

Campionamento del titolo

Premere il tasto 3 INT. Tutti i titoli vengono riprodotti in successione per circa 10 secondi. Premere i 3 INT per avviare la riproduzione del titolo attualmente selezionato.

Riproduzione casuale di tutti i titoli (RDM - Random)

Premere il pulsante 4 RDM. Viene avviata la riproduzione casuale. Premere il pulsante 4 RDM per riprendere la riproduzione normale. riproduzione normale di nuovo.

Salta l'elenco

Premere il tasto 6 FL+ per passare alla directory successiva o il tasto 5 FL- per passare alla directory precedente. salto. La riproduzione inizia automaticamente.

Funzioni di ricerca

Cerca per numero di traccia

- Premere il pulsante **A/PS**.
- Girare la manopola **VOL** per impostare la prima cifra del numero di traccia desiderato.
- Premere il pulsante **SEL** per confermare l'inserimento e passare all'inserimento della seconda, terza o quarta cifra.
- Premere il pulsante **1 PAU** per avviare la riproduzione della traccia selezionata.

Ricerca per nome del titolo

- Premere due volte il pulsante A/PS. La ricerca dei nomi dei brani inizia immediatamente. Se non si trova nessun titolo con l'opzione il numero di set viene trovato.
- Girare la manopola VOL finché non appare il carattere o la cifra desiderata.
- Premete il tasto o per **confermare** il set di caratteri e visualizzare tutti i titoli che iniziano con il carattere.
- Premere il tasto 1 PAU per avviare la riproduzione del titolo visualizzato.

Ricerca di elenchi

- Premere tre volte il tasto A/PS. Viene visualizzata la directory che si sta riproducendo.
- Girare la manopola VOL per passare tra le directory disponibili.
- Premere il tasto 1 PAU per selezionare la directory attualmente visualizzata. Riproduzione della prima traccia del brano selezionato la directory selezionata inizia immediatamente.

Collegamento di un dispositivo audio esterno all'unità

Collegare l'uscita audio di un dispositivo audio esterno (ad esempio un lettore MP3) alla presa AUX IN sul pannello anteriore tramite uno spinotto jack stereo da 3,5 mm. Presa AUX IN sulla parte anteriore dell'unità. Selezionare la riproduzione dell'ingresso audio premendo ripetutamente il tasto MD ripetutamente fino a quando AUX viene visualizzato sul display.

Backup della memoria

Questa unità è dotata di una memoria I.C. (circuiti integrati) incorporata per memorizzare le impostazioni dell'utente, come le stazioni del sintonizzatore preimpostate e le impostazioni di controllo dell'audio. Se l'unità viene scollegata dalla rete, queste impostazioni non andranno perse.

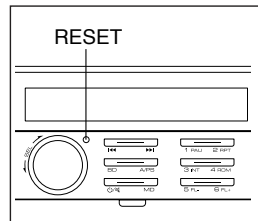
Azzerare

Per resettare l'unità alle impostazioni di fabbrica, tenere premuto il pulsante RESET per 6 secondi con un oggetto appuntito, per esempio una penna.

Resettare l'unità

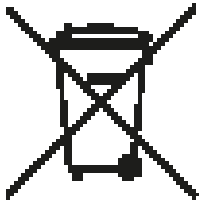
- durante il primo avvio,
- dopo aver collegato il cavo,
- se non tutti i tasti funzione funzionano
- se appare un messaggio di errore sul display.

Nota: Per accedere al tasto RESET, il pannello frontale deve essere completamente rimosso, vedi anche la sezione "Rimozione del pannello frontale".





EN Old appliances and/or batteries must not be disposed with garbage
 If the device/battery can not be used anymore, every user is legally obliged to dispose of old appliances and/or batteries separated from the garbage, e.g. at a collection point of the municipality/cities.



FR Les vieux appareils ainsi que les piles ne doivent pas être jetés avec les ordures ménagères !
 Si l'appareil/pile ne peut plus être utilisé, chaque utilisateur est légalement tenu d'éliminer ces produits au sein des vieux appareils ainsi que les piles séparément des ordures ménagères, par ex. dans un point de collecte de sa municipalité/son quartier.

DE Alte Geräte und/oder Akkumulatoren müssen getrennt entsorgt werden!
 Benutzer sind gesetzlich verpflichtet, Altklein- und Altbatterien aus ihren alten Elektrogeräten getrennt zu entsorgen, z.B. an einem Wertstoffhof/Community.

IT Dispositivi edo batterie usate non devono essere smaltiti con i rifiuti
 Se il dispositivo/batteria non può più essere utilizzato, ogni utente è obbligato per legge a smaltire i vecchi dispositivi edo batterie separatamente dai rifiuti, ad es.: in un centro per la raccolta differenziata, ecologico, etc.

EN | Les dispositifs vieux ou batteries ne doivent absolument pas être jetés avec les ordures ménagères
 Si le dispositif/batterie ne peut plus être utilisé, chaque utilisateur est légalement obligé d'éliminer ces appareils ou batteries de façon séparée de la poubelle domestique (par exemple, en un point de recyclage de sa municipalité/cité).

FR | Os aparatele vechi sau de pile nu trebuie aruncate împreună cu deșeurile menajere
 Dacă dispozitivul sau bateriile nu pot fi mai folosite, fiecare utilizator este obligat legal să elimine aceste aparate sau pile separat de deșeurile menajere (de exemplu, într-un punct de reciclare din cadrul comunei/orășului).

DE | Alte Geräte und/oder Batterien dürfen nicht zusammen mit Müll
 Ein altes Gerät/Batterie kann nicht mehr verwendet werden, deshalb sind alle Nutzer gesetzlich verpflichtet, alte Geräte und/oder Batterien getrennt vom Restmüll zu entsorgen, z.B. an einem Wertstoffhof/Community.

PL | Starych urządzeń i baterii nie wolno wyrzucać z odpadami domowymi
 Jeżeli urządzenie lub bateria nie będzie więcej używana, każdy użytkownik jest prawnie zobowiązany do wyseparowania starych urządzeń i/ub baterii od śmiecia, np. w punkcie selektywnej zbiórki odpadów.

EN | Os tihleto staro-udj (i/ili baterije) ne smetejo biti smetane skupaj s običnimi odpadki
 Če je kaj staro-udj/baterija že ne bo več uporabljeno, vsi uporabniki morajo ločeno od običnih odpadkov te odpadke ali baterije ločiti od ostalih odpadkov, npr. na posebnem zbirnem mestu.

FR | Ne pas jeter avec les poubelles ménagères les vieux appareils et batteries
 Si ce ou ces appareils/batteries ne peuvent plus être utilisés, chaque utilisateur est légalement tenu d'éliminer ces appareils/batteries séparément des ordures ménagères, par exemple, au centre de recyclage de sa commune/ville.

PL | Nie należy wyrzucać starych urządzeń i baterii razem z innymi odpadami
 Jeżeli już urządzenia/baterie nie są używane, należy je oddzielić od pozostałych odpadów, które wyrzuca się do kosza. Należy je oddzielić w osobny pojemnik na odpady, np. w punkcie selektywnej zbiórki odpadów.



GB Caliber hereby declares that the device RMD213DAB-BT is in compliance with the essential requirements and other relevant provisions of Directive 2014/53/EU RED, 2009/125/EC ERP and 2011/65/EU RoHS.

FR Par la présente Caliber déclare que l'appareil RMD213DAB-BT est conforme aux exigences essentielles et aux autres dispositions pertinentes de la directive 2014/53/EU RED, 2009/125/EC ERP et 2011/65/EU RoHS.

DE Hiermit erklärt Caliber, dass sich das Gerät RMD213DAB-BT in Übereinstimmung mit den grundlegenden Anforderung und übrigen einschlägigen Bestimmungen der Richtlinie 2014/53/EU RED, 2009/125/EC ERP und 2011/65/EU RoHS befindet.

IT Con la presente Caliber dichiara che questo RMD213DAB-BT è conforme ai requisiti essenziali ed alle altre disposizioni pertinenti stabilite dalla direttiva 2014/53/EU RED, 2009/125/EC ERP e 2011/65/EU RoHS.

ES Por medio de la presente Caliber declara que el RMD213DAB-BT cumple con los requisitos esenciales y otras disposiciones aplicables o exigibles de la Directiva 2014/53/EU RED, 2009/125/EC ERP y 2011/65/EU RoHS.

PT Caliber declara que este RMD213DAB-BT está conforme com os requisitos essenciais e outras disposições da Directiva 2014/53/EU RED, 2009/125/EC ERP e 2011/65/EU RoHS

S Härmed intygar Caliber att denna RMD213DAB-BT Pro står i överensstämmelse med de väsentliga egenskapskrav och övriga relevanta bestämmelser som framgår av direktiv 2014/53/EU RED, 2009/125/EC ERP och 2011/65/EU RoHS.

PL Niniejszym Caliber oświadcza, że RMD213DAB-BT jest zgodne z zasadniczymi wymaganiami oraz innymi stosownymi postanowieniami Dyrektywy 2014/53/EU RED, 2009/125/EC ERP i 2011/65/EU RoHS.

DK Undertegnede Caliber erklærer hermed, at følgende udstyr RMD213DAB-BT overholder de væsentlige krav og øvrige relevante krav i direktiv 2014/53/EU RED, 2009/125/EC ERP og 2011/65/EU RoHS.

EE Käesolevaga kinnitab Caliber seadme RMD213DAB-BT vastavust direktiivi 2014/53/EU RED, 2009/125/EC ERP ja 2011/65/EU RoHS põhinõuetele ja nimetatud direktiivist tulenevatele teistele asjakohastele sätetele.

LT Šiuo Caliber deklaruoja, kad šis RMD213DAB-BT atitinka esminius reikalavimus ir kitas 2014/53/EU RED, 2009/125/EC ERP ir 2011/65/EU RoHS Direktyvos nuostatas.

FI Caliber vakuuttaa täten että RMD213DAB-BT tyyppinen laite on direktiivin 2014/53/EU RED, 2009/125/EC ERP ja 2011/65/EU RoHS oleellisten vaatimusten ja sitä koskevien direktiivin muiden ehtojen mukainen.

IS Hér með lýsi Caliber yfir því að RMD213DAB-BT erí samræmi við grunnkröfur og aðrar kröfur, sem gerðar eru í tilskipun 2014/53/EU RED, 2009/125/EC ERP og 2011/65/EU RoHS.

NO Caliber erklærer herved at utstyret RMD213DAB-BT er i samsvar med de grunn-leggende krav og øvrige relevante krav i direktiv 2014/53/EU RED, 2009/125/EC ERP og 2011/65/EU RoHS.

NL Hierbij verklaart Caliber dat het toestel RMD213DAB-BT in overeenstemming is met de essentiële eisen en de andere relevante bepalingen van richtlijn 2014/53/EU RED, 2009/125/EC ERP en 2011/65/EU RoHS.





WWW.CALIBEREUROPE.COM

CALIBER EUROPE BV · Kortakker 10 · 4264 AE Veen · The Netherlands