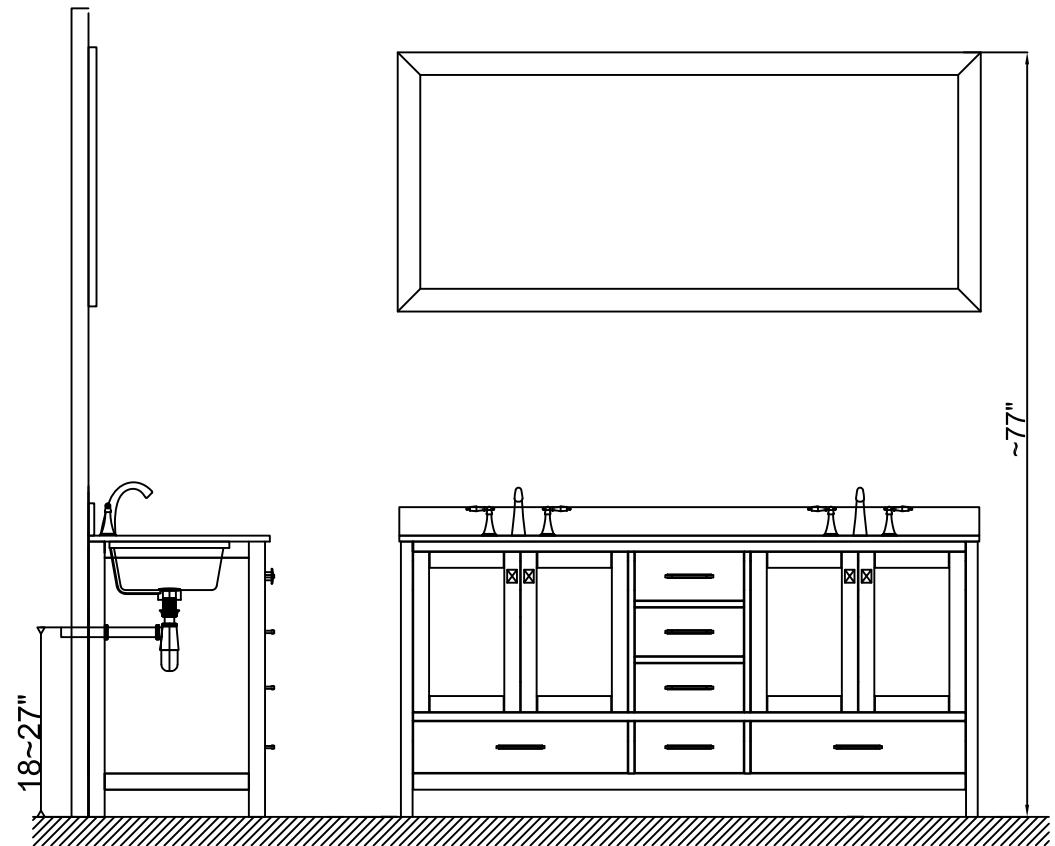


INSTALLATION INSTRUCTIONS**Confidential : A****SKU: 10060-CAB****SIZE:59.2"x21.7"x35"****PROHIBIT COPY**

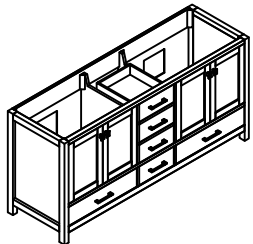
Prior to installation please check received items against the Packing List
Please report any missing items to your local dealer immediately.

Protect all surfaces from sharp objects,
high heat sources, direct prolonged
sunlight and chemical hazards .

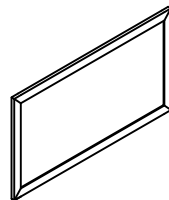
Professional installation recommended !

**PACKING LIST** (Please refer to order per retailer)

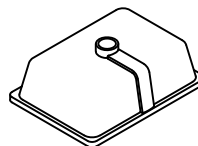
1.Main cabinet



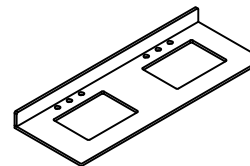
2.Mirror



3.Basin



4.top



INSTALLATION INSTRUCTIONS

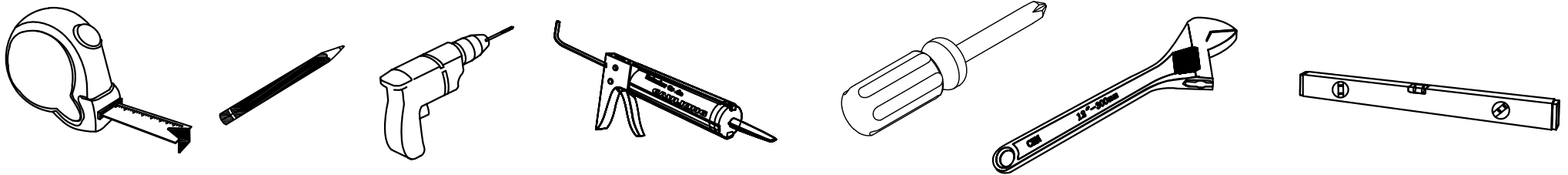
Confidential : A

SKU: 10060-CAB

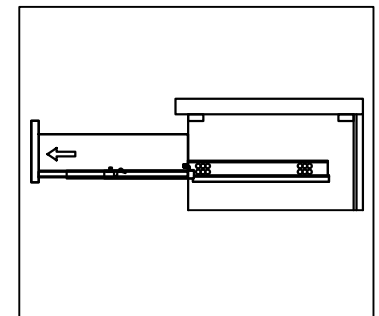
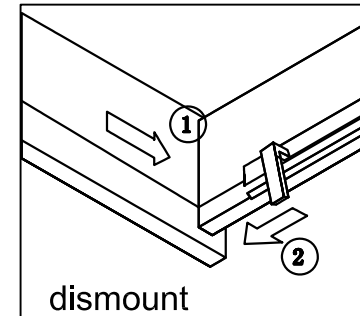
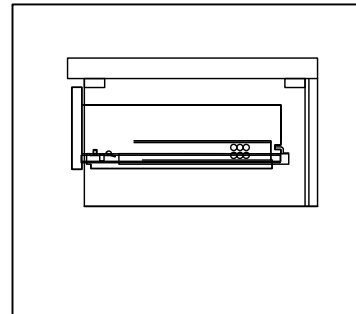
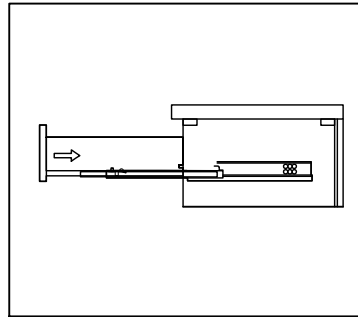
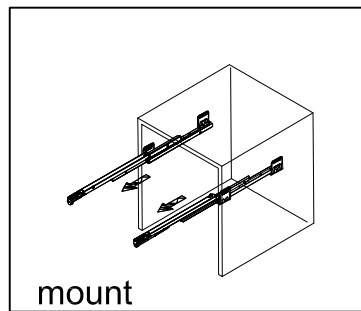
SIZE:59.2"x21.7"x35"

PROHIBIT COPY

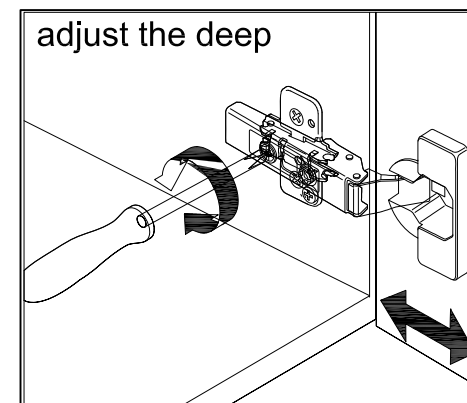
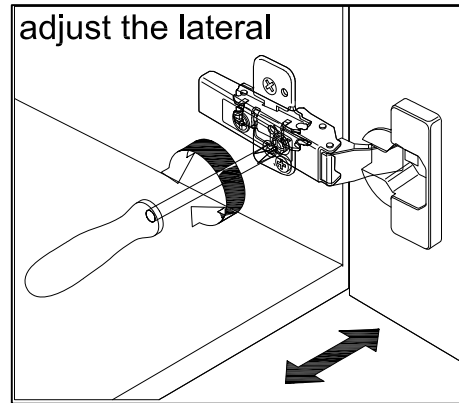
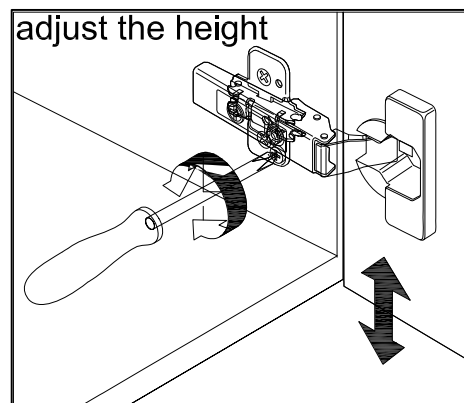
REQUIRED TOOLS



DRAWER SLIDER ATTACHMENT AND DETACHMENT



INSTALLATION AND ADJUSTION OF HINGE



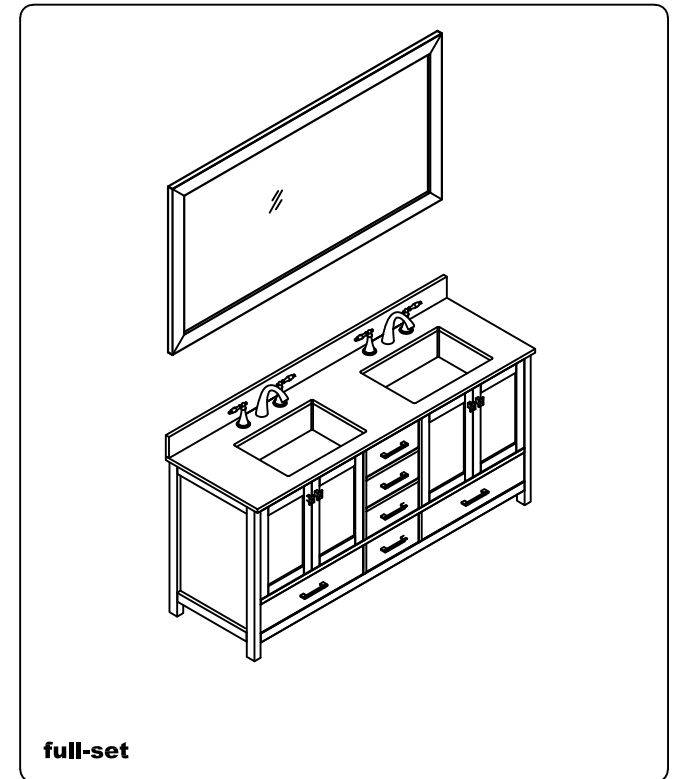
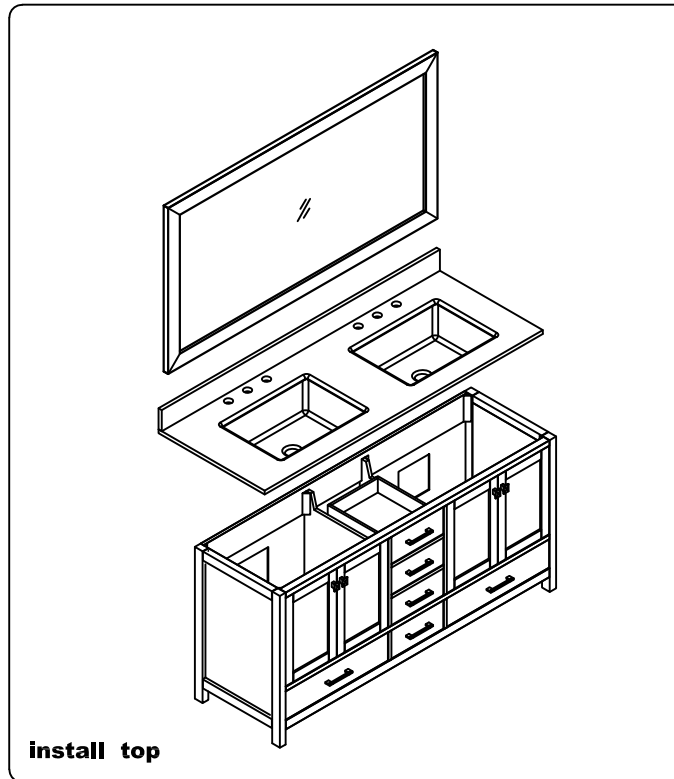
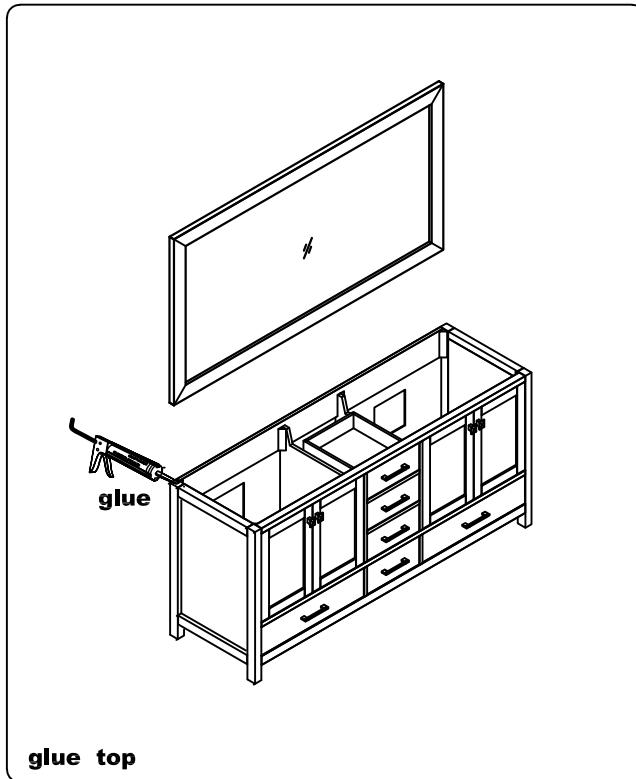
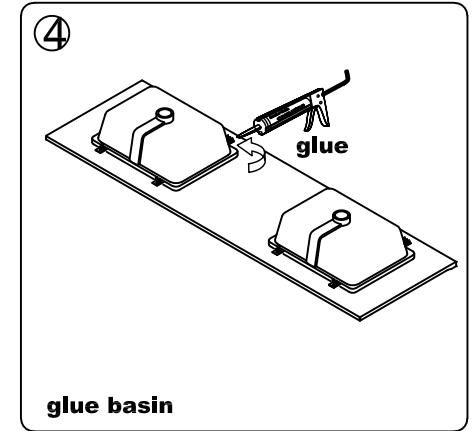
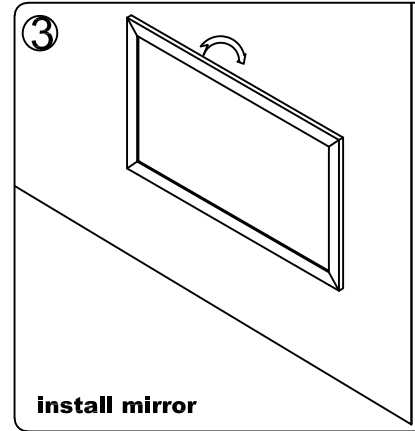
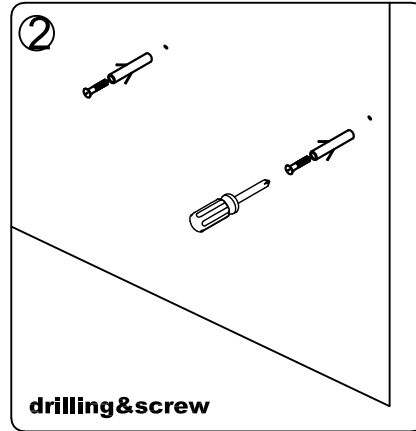
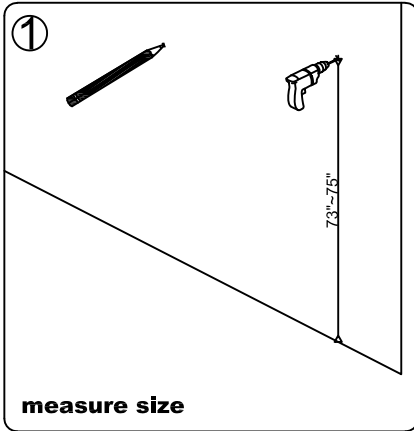
INSTALLATION INSTRUCTIONS

Confidential : A

SKU: 10060-CAB

SIZE:59.2"x21.7"x35"

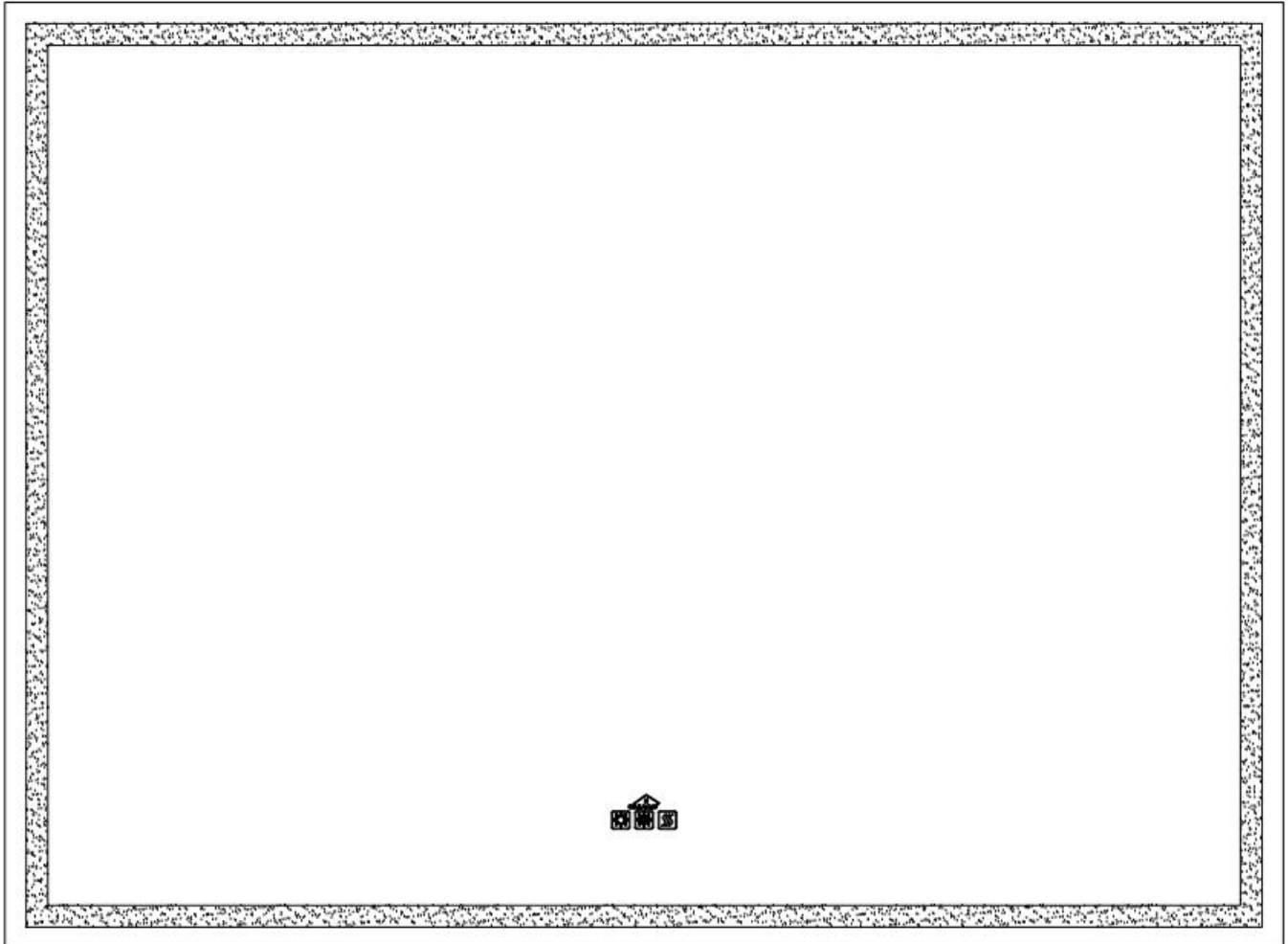
PROHIBIT COPY



Product Features:

Extra thick LED light
Touch switch with memory
Touch switch dim function
Anti-fog
LED Mirror

Installation And Operating Manual



For easy and safe installation, please refer to the following:

Read all instructions thoroughly before installing the enclosed product.

Read and take note of all safety, care and maintenance information.

**PLEASE KEEP THIS INSTRUCTION MANUAL FOR FUTURE REFERENCE
DURING PRODUCT OPERATION AND MAINTENANCE.**



WARNING AND SAFETY INSTRUCTIONS

Before assembling your LED Lighted Mirror fixture, please make sure that you carefully read through this instruction sheet, refer back to them during installation to ensure your product is fitted safely and correctly. Keep these instructions for future use.

WARNING Risk of Fire and Electric Shock

- All fittings must be installed in accordance with current IEE wiring regulations. If in doubt, consult a qualified electrician.
- Switch off the electrical supply at the main circuit board BEFORE installation and maintenance.
- Suitable for indoor use only. This product should be positioned well away from curtains and fabrics. Never cover the mirror.
- Regularly check the cord, the transformer and all other parts for damage, if any part is damaged the product should not be used.

INSTALLATION SAFETY

- Inspect the product immediately upon receipt for the transit damage or missing parts. Handle the product with care and protect against knocks to all sides and edges of the glass.
- Ensure there are no hidden pipes or cables in the wall before drilling.
- Wear suitable eye protection when drilling. Take care if drilling on tiled surfaces in case the drill slips.

CAUTION

The light source of this product is non-changeable light diodes (LED). Do not disassemble the product, as the light diodes can cause damage to the eyes.

NOTE: The important safeguards and instructions that appear in this manual are not meant to cover all possible conditions and situations that may occur. It must be understood that common sense, caution and care are factors that can't be built into any product. These factors must be supplied by the person(s) caring for and operating the fixture. Do not install this fixture in hazardous locations.

PRODUCT DESCRIPTION & INFORMATION

CHECK PRODUCT LIST AFTER OPENING THE PACKAGE

- LED Lighted Mirror - -1pcs
- Installation Manual - -1pcs
- Z-bar - -1pcs
- Wall Mount Screw - -7pcs (One as a spare part)
- Drywall Anchor - -7pcs (One as a spare part)

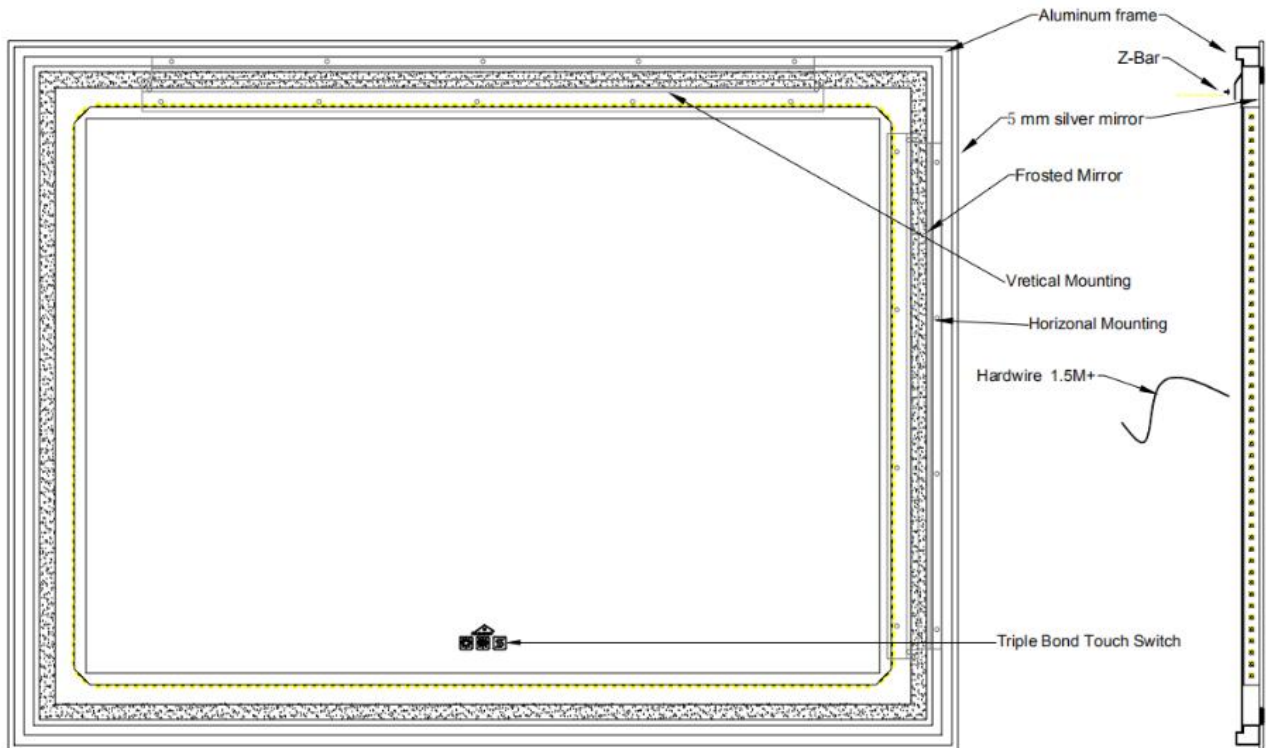


(TOOLS YOU MAY NEED)

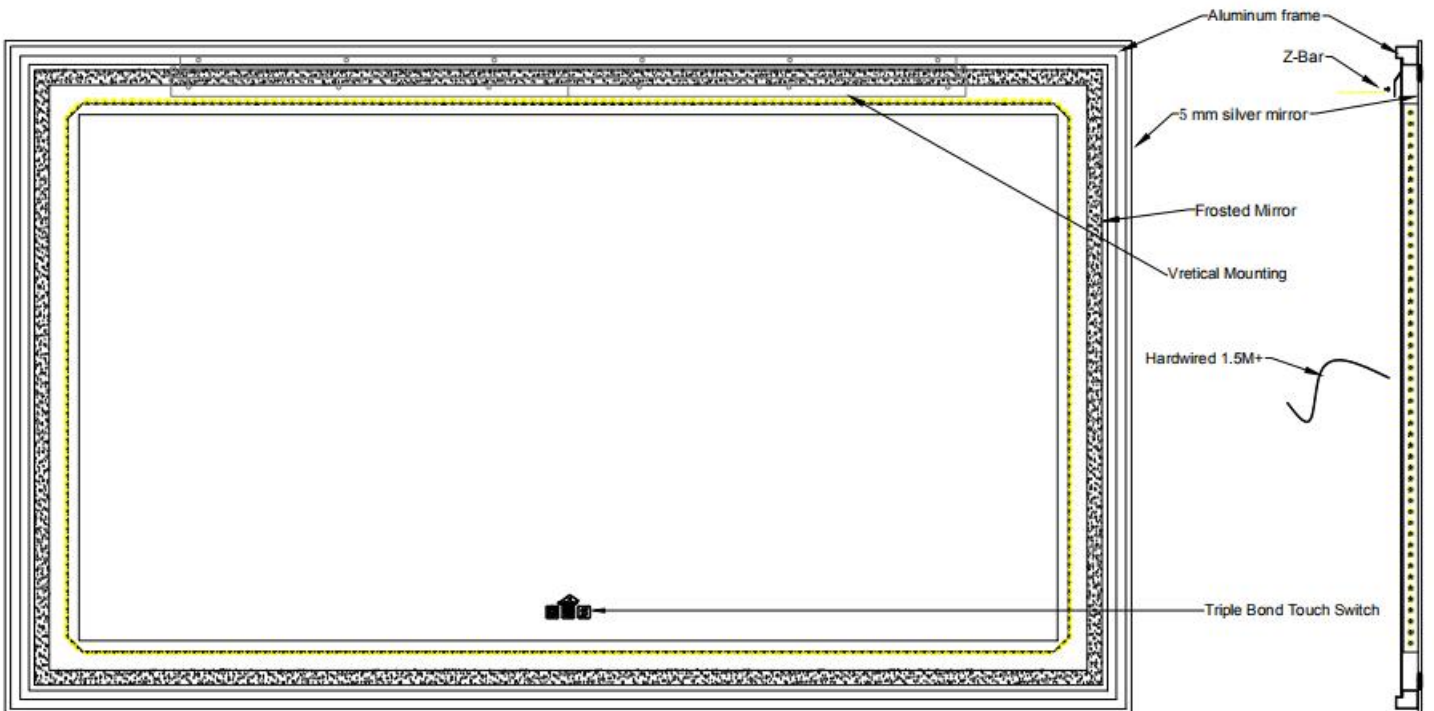


PRODUCT DESCRIPTION

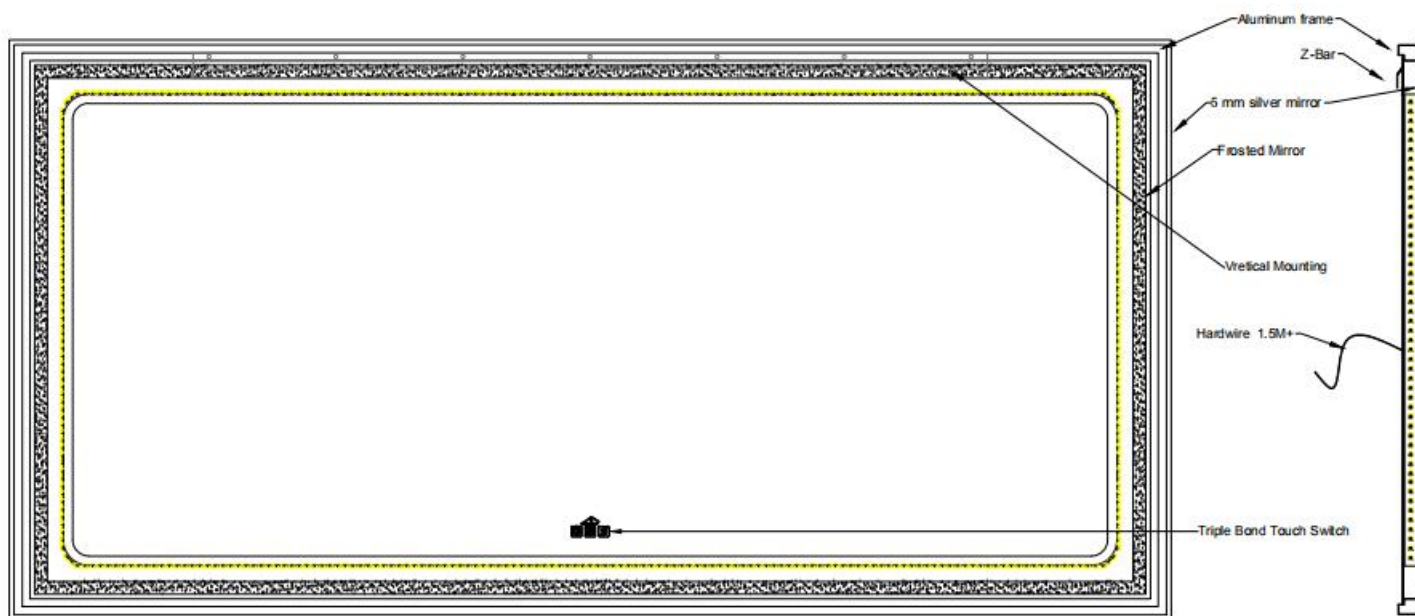
Model: EXD4-48X36



Model: EXD4-60X36



Model: EXD4-72X36



INSTALLATION PROCESS



X7

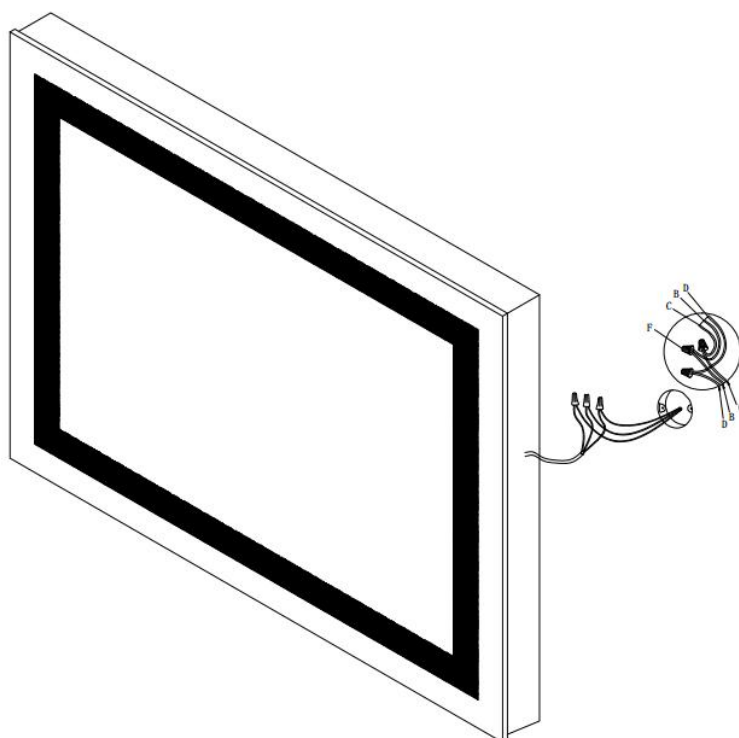
(According to actual needs)

X7

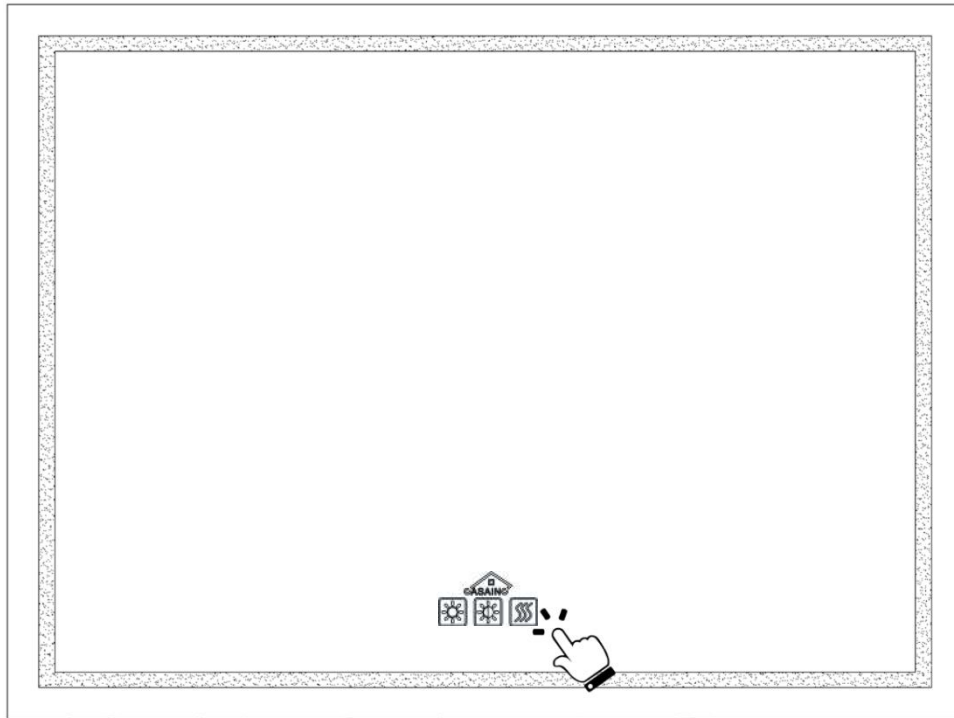
(According to actual needs)



X1



OPERATION PROCESS



Button 1:

Short Press to turn on/off the light .

Press the switch button and hold on for 3-5seconds to active the dimmer function.

The first long press, brightness from strong to weak;

Second long press, brightness from weak to strong.

These two operations loop in turn.



Button 2:

Gently press to change the color temperature.

First press causes the neutral light ,it is mixed light by 3000K+6400K;

Second press causes the cool white light ,it is 6400K .

Third press causes the warm yellow light ,it is 3000K .

The three operations loop in turn .



Button 3:

First short press ,anti-fog function works .

Second short press ,anti-fog function stops .

The two operations loop in turn .

* All diagrams are for reference only. All model dimensions and proportions position will vary.

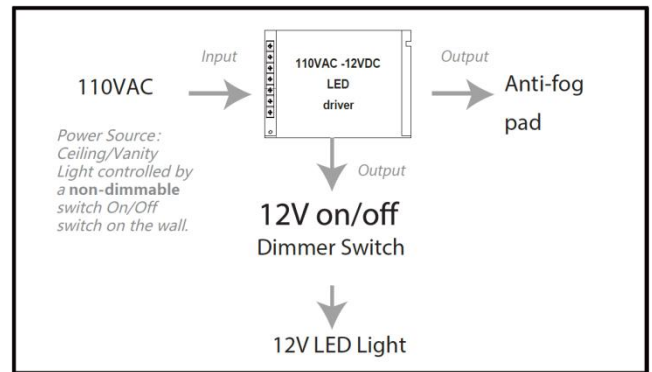
LED Mirror Power Source FAQ

Scenario 1 (Direct Wired)

This is the most common way to connect the mirror. The LED light & anti fog pad are both controlled by the built-in touch switch on the mirror.

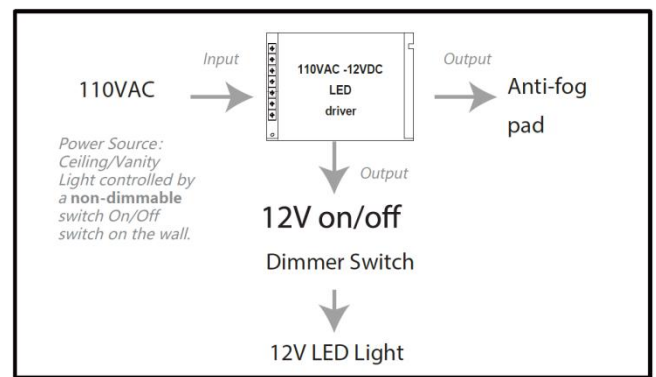
*The LED light is dimmable.

Internal Power Flow Diagram



Scenario 2 (Wall Switch)

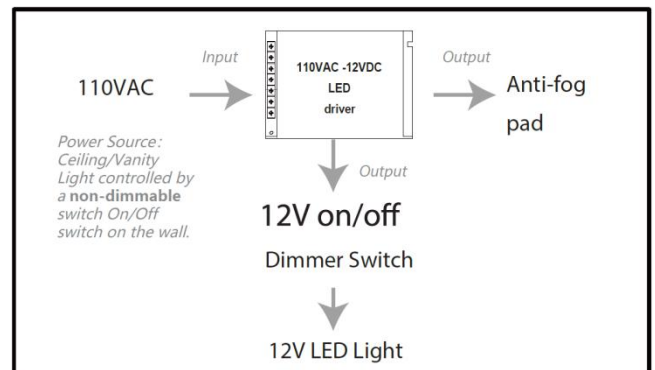
By doing so, the mirror is now bridged to the wall switch. In order to turn on the mirror, the wall switch needs to be on. The touch switch can be used to turn on the LED mirror and anti-fog pad. The mirror shuts down once the wallswitch is flipped to OFF.



Scenario 3 (Wall Dimmer Switch – Not Accepted)

This is a scenario that is not acceptable.

There is no work around for our mirror.
Do not try this way as it will damage the LED driver.





DEAR CUSTOMER,

Thank you very much for using our products. We believe that you will like the 100% quality products that CASAINC bring to you. We will grateful if you could leave us a positive feedback.

The satisfaction of customer is our goal, if there is anything we can do to improve your shopping experience, please contact us!

Thanks again for your purchase sincerely, welcome to your next visit.



Get More Help by

Contact Phone Number : 001 888-257-3857

Service Contact : service@casainc.com

You can also view more products at
www.casainc.com