



Item No: 9022/FR7721  
**CAT Loader 12V Ride On**

Installation & operation Manual



**CAUTION:**  
 • This package contains small parts  
 • Adult assembly required  
 • Remove all plastic bags and package ties prior to giving to children  
 • Protective equipment recommended  
 • Not to be used in traffic  
 • Keep this instructions for future reference.

**WARNING  
 ADULT ASSEMBLY  
 REQUIRED.**

©2025 Caterpillar. CAT, CATERPILLAR, and their design and marks are registered trademarks of Caterpillar Inc. Ningbo Prince Toys Co., Ltd., a licensee of Caterpillar Inc.

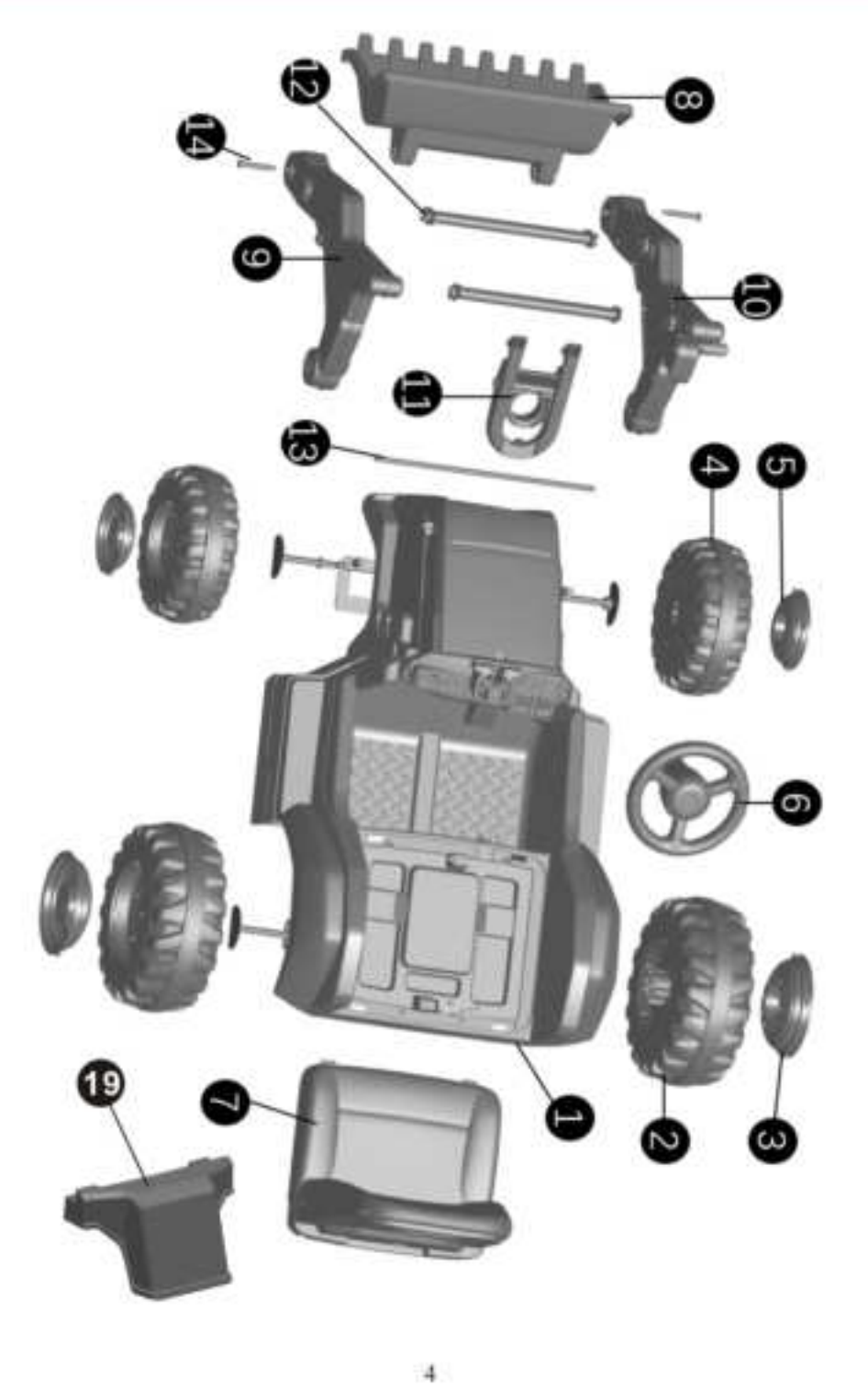
**I. SPECIFICATION.**

Suitable Ages	3-6 Years
Product Dimensions	128x63x56cm
Maximum Weight	30 kgs
Speed	3-5km/h
Motor	30W
Charger	DC12V1000mA
Battery	12V7AH
Remote Control	2.4G one to one function
Remote Control Batteries	2xAAA Size(not included)
Steering Wheel Batteries	2xAAA Size(not included)
Operating Ambient Temperature	0-40°C

**II. Components List.**

1. Body 1pc	2. Rear wheel 2pcs	3. Rear wheel cap 2pcs
4. Front wheel 2pcs	5. Front wheel cap 2pcs	6. Steering wheel 1pc
7. Seat 1pc	8. Dozer 1pc	9. Left arm 1pc

10. Right arm 1pc	11. Hook 1pc	12. Arm support 2pcs
13. Dozer axle 1pc	14. Bolt 2pcs	15. Charger 1pc
16. Tool 2pcs	17. Remote control 1pc	18. Screw 17pcs (one piece replacement)
19. Anti-tumble shelf 1pc		



**III. Assembly Instructions.**

**<Step1>**  
 1. Take out the protect sleeves, make sure the nuts stay in the axle.

**<Step2>**  
 2. Release the two nuts in the axle with the tools provided.

**<Step3>**  
 3. Insert the two front wheels first and tighten the two nuts with the tools provided, then cover the two front wheel caps.

**<Step4>**  
 4. Cut the zip-ties and discard the foam board, then release the two nuts in the axle with the tools provided.

**<Step5>**  
 5. Insert the two rear wheels first and tighten the two nuts with the tools provided, then cover the two rear wheel caps.

**<Step6>**  
 6. Place the anti-tumble shelf in the rear of the body, tighten with 4 screws by a screwdriver(not included).

**<Step7>**  
 7. Place the two arm supports into the right arm, tighten with the 4 screws by a screwdriver(not included).

**<Step8>**  
 8. Assemble the dozer and the arm, insert the pin into the dozer.

**<Step9>**  
 9. Tighten with one bolt by a screwdriver(not included).

**<Step10>**  
 10. Assemble the left arm, tighten with one bolt and four screws by a screwdriver(not included).

**<Step11>**  
 11. Release the two nuts in the dozer axle with the tools provided. Insert the axle through the arm and the front body.

**<Step12>**  
 12. Lock the two nuts with the tools provided.

**<Step13>**  
 13. Place the hook into the dashboard, tighten with four screws by a screwdriver(not included).

**<Step14>**  
 14. Press the button and insert the steering wheel.

**<Step15>**  
 15. Insert the front part seat to the body, then place the whole seat.

**<Step16>**  
 16. Let the battery POWER ON by PULL OUT the key.

**IV. Function and Operation.**

**Loader function operation**

1. Main power switch  
 2. RC/Foot throttle mode switch  
 3. Forward/backward  
 4. High/low speed  
 5. Multi-media player

**V. Charging the Drive Battery.**

- The charging socket is located at the lower part of the car seat.
- Only battery and charger which are provided or recommended can be used only.
- Please do not play with the charger and battery because they are not toys.
- The battery charging operation is to be carried out only by adults.
- The battery shall be fully charged before first use; the battery charging time shall be 9-10 hours and can not exceed 15 hours.
- It is normal for battery and charger to feel warm during charging.

**VI. Simple Problem Diagnostic.**

Defective conditions	Key points of inspection
1. The car can not be driven.	1) Ensure the power switch, all plugs of the control plate under the seat, and the battery terminal line are properly inserted. 2) Ensure the over current protector, when the car is over loaded or blocked, the over current protector automatically disconnects the circuit to protect the motor and controlling IC board. 3) Check whether the car has been stored for a long time and its battery is not charged on time. 4) If the remote control cannot start the car, please check whether the remote control code-matching function is normally operated. 5) Check whether the remote control battery power is low.
2. Music sound is distorted or silent	Check whether the battery has enough power, otherwise charge fully.

**VII. WARNING.**

**1. Battery warning:**

- When storing the car for long period of time, charge the battery until full then turn off the power switch. The battery should be recharged once every other month, or may otherwise have a shorter life span and risk deteriorating.
- When installing the battery, it is important that the positive and negative poles are correctly connected. Short circuiting of positive and negative poles may result in damaging the toy.

**Battery warning:**

- Product needs to be operated with two DC 1.5V AAA batteries (not included) and two DC1.5V AA batteries(not included).
- Battery charging is recommended only to be done by adults.
- Rechargeable batteries charging operation can be carried out only by adults.
- Non-rechargeable batteries cannot be charged.
- The rechargeable batteries can be charged only after being taken out from the remote control battery compartment.
- Please do not mix different types of batteries or used batteries and new batteries.
- If product will be stored for a long time, it is recommended to remove batteries from battery compartment.
- Over used batteries should be removed from toy.

**2. Product warning:**

- There may be potential sharp edges, sharp points or small parts before the assembly of this product, and therefore this product shall be assembled by the adult.
- To avoid suffocation, keep the plastic bag away from children. Dispose of all bags immediately.
- Children shall use the car under adult guidance and supervision to prevent risk of injury.
- The car is suitable for being driven on: the flat ground and strictly prohibited to be driven in dangerous places such as public roads, slope and near swimming pool to prevent traffic and drowning accidents.
- Please put on shoes and take protective measures before use, such as fastening the safety belt and putting on the helmet, gloves, knee pads, etc.
- Not suitable for children under 36 months as parts may fall off when used improperly.
- Regularly check whether the battery, charger, wire, plug, casing and other parts are damaged; if the damage occurs, please cease to use this product until it has been repaired.
- This product is only allowed to be used by one child; the maximum load is 30kg, overload is not allowed.
- Keep away from fire.
- The product instructions shall be kept as they contain important information.

**VIII. Remote Control Instructions.**

**Operation manual: For the first time to use Need to frequency bind.**

- First time use need to match code, this product has memory function. Replace battery is unnecessary match code.
  - Hold down " " keys for 3 seconds start match code. The first LED flicker.
  - Turn on the car body power now. The first LED lit up. Match code Success.
  - Remoter 10 seconds not run will be standby. Press any key wake up.
  - Keys caption: " " Forward, " " Back, " " Left, " " Right, " " Speed, " " Brake. Press " S " key set up speed, 1 led lit up is low speed, 2 leds lit up is medium speed, 3 leds lit up is high speed, Back a car is only low speed. Press " P " key hold the brake, All LED flicker.
- △The remote controller only can be used with adult's guidance

**3. WARNING:**

**WARNING**

Adult supervision required to reduce the risk of injury. Strictly forbidden to use on roadways, near motor vehicles, slopes or swimming pools and areas where there is water. Please wear shoes when operating vehicle; Can only be used by one person at a time; Keep away from children before assembled as there may be sharp edges points or small parts. Adult assembly required. A reminder that the toy should be used with caution since skill is required to avoid falls or collisions causing injury to the user or third parties.

**WARNING**

Do not mix alkaline battery, standard (carbon-zinc) battery or rechargeable (nickel-cadmium) battery.

**WARNING**

Protective equipment should be worn. Not to be used in traffic.

**WARNING**

This product is not suitable for children under 3 years of age due to its maximum speed.

**IX. Care and Maintenance**

- Regularly wipe and clean it with a piece of cloth.
- The rotating parts of the car should be checked regularly to determine whether any foreign matter obstructs the rotation and to keep lubricating state of normal operation.