

 **CERWIN-VEGA!**[®]

xed
SPEAKERS



XED693/XED650C/XED62
XEDS7/XEDS2/XEDS2SC
XED46/XED42

MANUAL

Introduction

Cerwin Vega Speakers

Congratulations for purchasing Cerwin Vega speakers for your car audio system. You have chosen Cerwin Vega because you deserve the best!

Cerwin Vega speakers are designed and engineered to reproduce great sound quality for many years of listening enjoyment in your vehicle! We highly recommend that your new speakers be installed by an authorized Cerwin Vega dealer. Your authorized dealer can professionally assemble/disassemble the interior of your vehicle and set the proper speaker placement for ideal sound quality.

If you decide to install the speakers by yourself, please thoroughly read through this manual before getting started. This manual will help familiarize yourself with these speakers and guide you through the installation process and procedures.

Please contact your local authorized Cerwin Vega dealer if you have any questions regarding the instructions in this manual. If you require additional assistance, please contact the Cerwin Vega Technical Support Department during business hours at 213-261-4161.

Features/Specs

HED 693 - 6" x 9" - 3 Way

45W RMS / 350W MAX
Curvilinear Poly Cone
Butyl Rubber Surround
Balanced Metal Dome 2.5" MidRange
Balanced Piezo Metal Dome .75" CV Tweeter
Black Coat Stamped Steel Basket
Signature Cerwin-Vega Sound!
Grills and Hardware

HED62 - 6.5" - Co-Axial

35W RMS / 300W MAX
Curvilinear Poly Cone
Butyl Rubber Surround
Balanced Piezo Metal Dome .75" CV Tweeter
Black Coat Stamped Steel Basket
Signature Cerwin-Vega Sound!
Grills and Hardware

HED57 - 5" x 7" Co-Axial

30W RMS / 250W Max
Curvilinear Poly Cone
Butyl Rubber Surround
1" Balanced Metal Dome CV Tweeter
Black Coat Stamped Steel Basket
Signature Cerwin-Vega Sound!
Grills and Hardware

HED52 - 5.25" - Co-Axial

30W RMS / 275W MAX
Curvilinear Poly Cone
Butyl Rubber Surround
Balanced Piezo Metal Dome .75" CV Tweeter
Black Coat Stamped Steel Basket
Signature Cerwin-Vega Sound!
Hardware

HED46 - 4" x 6" Co-Axial

20W RMS / 150W MAX
Curvilinear Poly Cone
Butyl Rubber Surround
1" Balanced Metal Dome CV Tweeter
Black Coat Stamped Steel Basket
Signature Cerwin-Vega Sound!
Grills and Hardware

HED42 - 4" - Co-Axial

20W RMS / 150W MAX
Curvilinear Poly Cone Midrange
Butyl Rubber Surround
Balanced Piezo Metal Dome .75" CV Tweeter
Black Coat Stamped Steel Basket
Signature Cerwin-Vega Sound!
Hardware

HED650C - 6.5" - Component

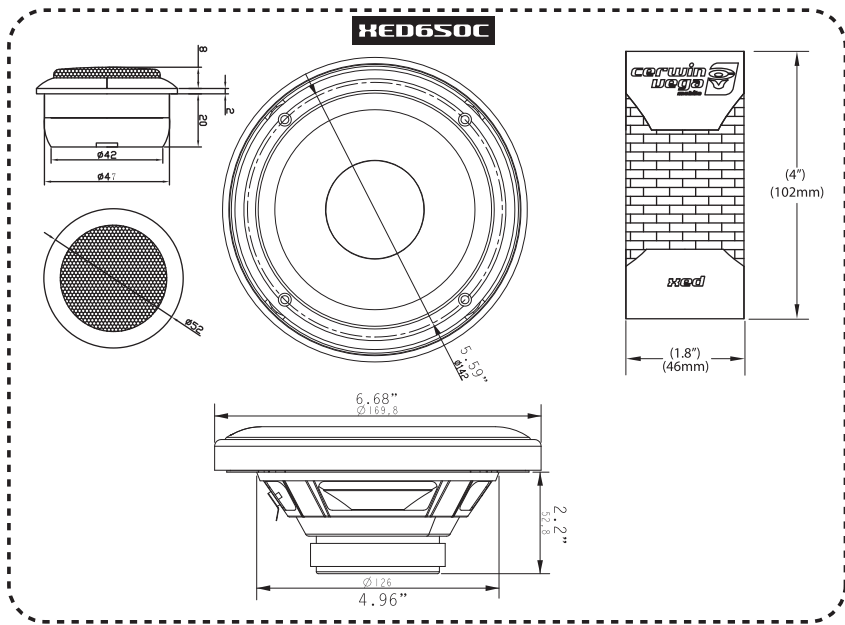
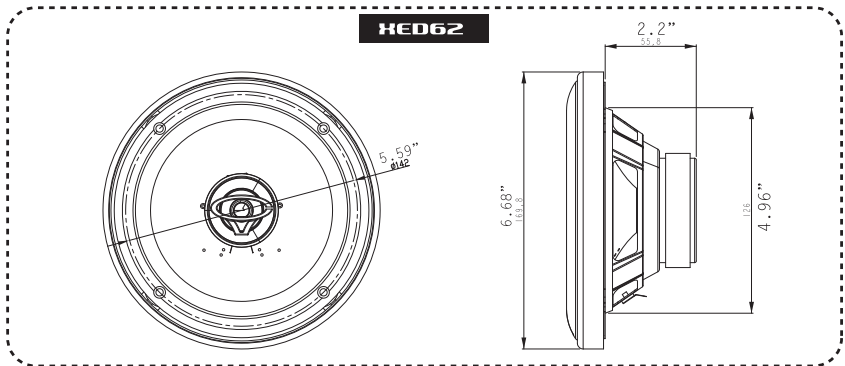
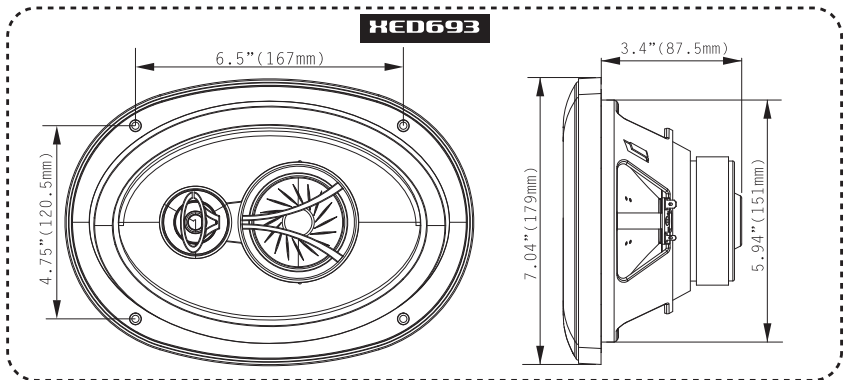
35W RMS / 300W MAX
Curvilinear Poly Cone Midrange
Butyl Rubber Surround
Black Coat Stamped Steel Basket
Balanced Metal Dome .05" CV Tweeter
High Grade External Crossover Network
Signature Cerwin-Vega Sound!
Hardware

HED52SC - 5.25" - Component

30W RMS / 250W MAX
Curvilinear Poly Cone Midrange
Butyl Rubber Surround
Black Coat Stamped Steel Basket
Balanced Metal Dome .05" CV Tweeter
Signature Cerwin-Vega Sound!
Hardware

Specifications

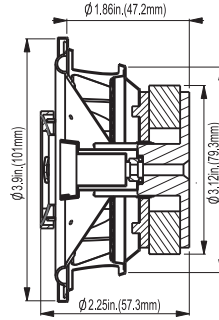
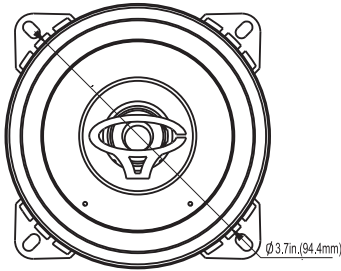
NOTE: DIMENSIONS ARE IN INCHES AND MILLIMETERS



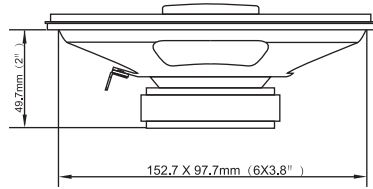
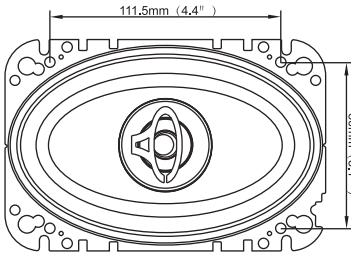
Specifications

NOTE: DIMENSIONS ARE IN INCHES AND MILLIMETERS

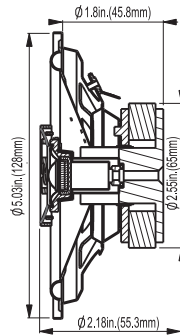
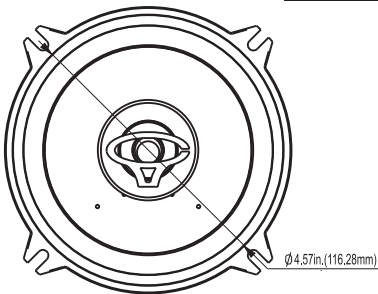
HED42



HED46

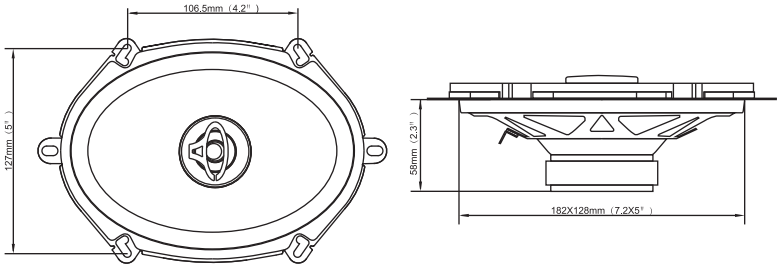


HED52

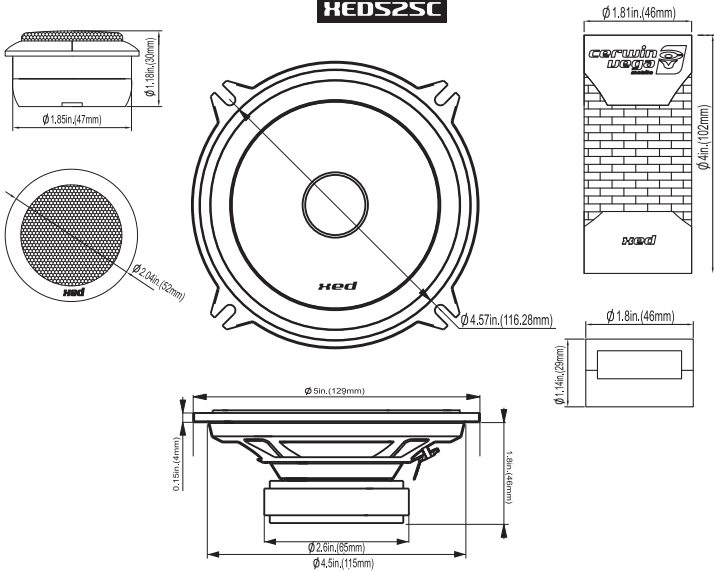


Specifications

HEDS7



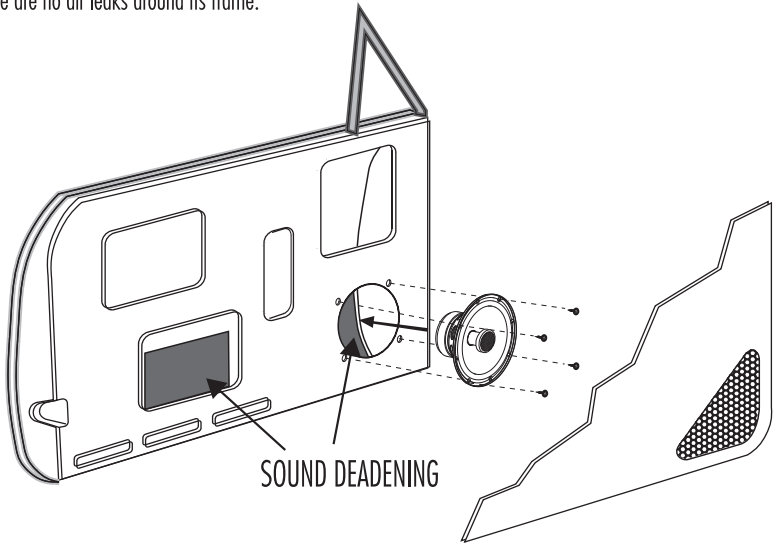
HEDS2SC



Installation

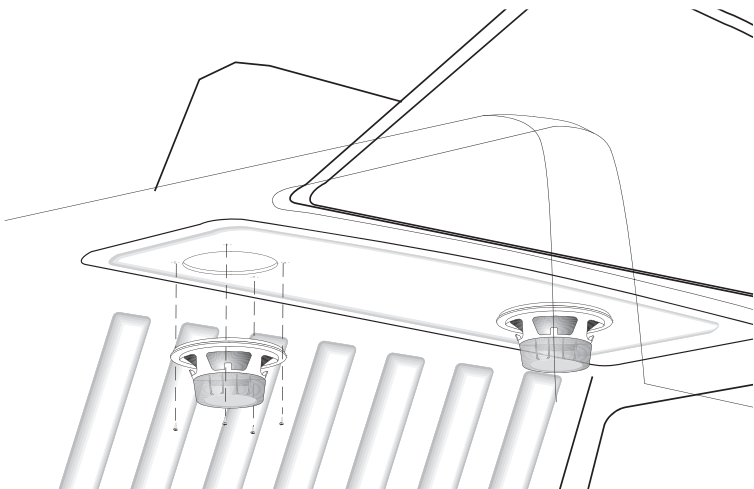
Installing the Speakers

Your new Cerwin Vega series speakers were designed with the flexibility to be installed in multiple locations. However, to ensure the best performance possible it is important to isolate the front sound waves of the speaker from its rear sound waves. This is done by securely mounting the speaker to a flat surface known as a baffle. Make sure to seal the speaker to ensure there are no air leaks around its frame.



Rear Deck Mounting

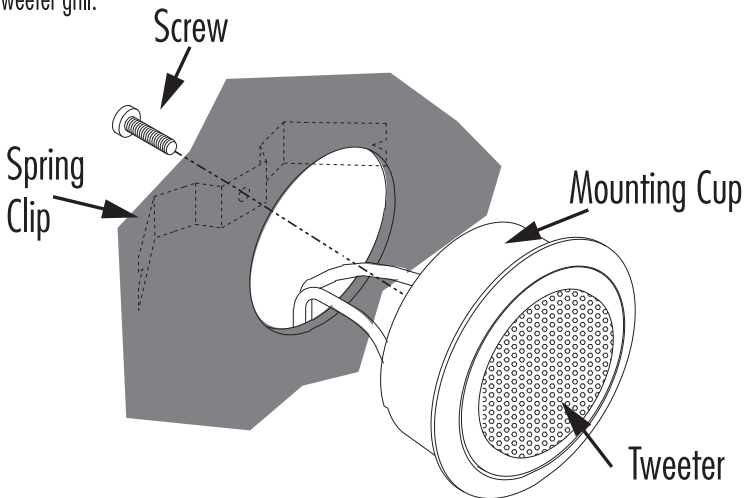
There are two primary methods for mounting speakers in the rear deck of a vehicle, top and bottom mounting. Top mounting requires dropping the speakers in through the deck (interior) while bottom mounting secures the speakers from underneath (trunk). Either method requires a good seal around the frame for the best performance.



Installation

Tweeter Installation

When flush or surface mounting tweeters, make sure the desired location can accommodate the hole sizes and depth required. The tweeter can also be surface mounted atop the dash, door, or rear deck. Mount cup using the provided hardware, flush mount illustration shown below. The flush mount bezel requires cutting a 1.75" (45mm) round opening. Be sure there is AT LEAST 1 INCH (25.4mm) behind the panel so the tweeter has adequate clearance. Remember when using a hole saw the thickness of the saw teeth will add to the cut diameter. Mount the surface cup at the desired angle with provided screws in the tweeter mounting kit. Route speaker wires through tweeter cup, connect the tweeter to wires, and snap the tweeter into the cup by aligning the notches in the tweeter cup with the notches in the tweeter base.. Be careful not to push on the center of the tweeter grill.



Crossover Installation

Install in a well ventilated area whenever possible. If you must install the passive crossovers in the doors due to the use of factory wiring. As you "feed" into the door cavity, ensure that the crossover is installed behind the door panel instead of inside the door itself. This will offer the greatest capacity for avoiding any water damage caused by rain or moisture. Also avoid placing it near factory wiring looms to ensure no radiated noise problems. Connect the input side labeled "AMP" of each passive crossover to the amplifier's speaker output terminals. Be sure to observe correct polarity for positive and negative terminals. Next, connect the middle terminals labeled "MID" to the midrange speaker. Be sure that the wiring is protected all the way to the terminal and that the wires are secure at both the speaker and passive crossover. Finally, connect the end terminals on the far right hand side labeled "TWT" to the tweeter. Be careful to observe the correct polarity when connecting the tweeter to its lead wires as these are smaller gauge and require care and patience to connect correctly.

Warranty

CERWIN VEGA (a division of CV & DA Holdings, Inc.) warrants this product to be free from defects in material and workmanship for a period of one (1) year from the original date of purchase provided, it was purchased from an authorized Cerwin Vega, retailer within the United States.

THIS WARRANTY IS NOT TRANSFERABLE AND APPLIES ONLY TO THE ORIGINAL PURCHASE OF THIS PRODUCT IN ITS ORIGINAL INSTALLATION. The original purchaser must reside in the United States and be able to provide proof of purchase and installation with the sales from the authorized Cerwin Vega retailer and completion of online registration that sold and installed the product.

Should a manufacturing defect occur during above said warranty period, Cerwin Vega will replace or repair the defective product with a product of the same or equivalent value and performance.

Damage or failure caused by any of the following is not covered under this warranty policy: burnt voice coils, negligence, improper use, abuse, product modification, unauthorized repair attempts, accident, acts of God, misrepresentations by Cerwin Vega retailers, and improper/inadequate packaging during return shipping.

INTERNATIONAL

Products purchased outside of the U.S.A. are covered only by that country's distributor and not by Cerwin Vega Mobile U.S.A.

Please Ship All Warranty Claims With Pre-Authorized RA Number To:

CV&DA Holdings, Inc.

ATTN: Customer Service Department

3761 S. Hill St.

Los Angeles, CA 90007 USA

Please Contact Customer Service for Further Warranty Information:

U.S.A.

Tel: 213-261-4161 / Fax: 213-947-4767

**3761 South Hill Street
Los Angeles 90007, USA
P 213-261-4161 / F 213-947-4767**

WWW.CERWINVEGA.COM

**©2022 Cerwin Vega All rights reserved.
(a division of CV & DA Holdings, Inc.)**