

CHEFMAN.

CHEFMAN BOILS FASTER™*

Keep Warm™ 1.8L CUSTOM-TEMP KETTLE

QUICK START GUIDE

- Features and presets
- Before first use
- Cleaning and maintenance
- How to use the kettle
- Tea brewing preset chart



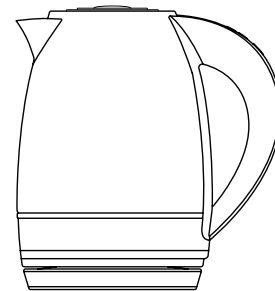
CHEFMAN.COM | @MYCHEFMAN

©CHEFMAN 2024

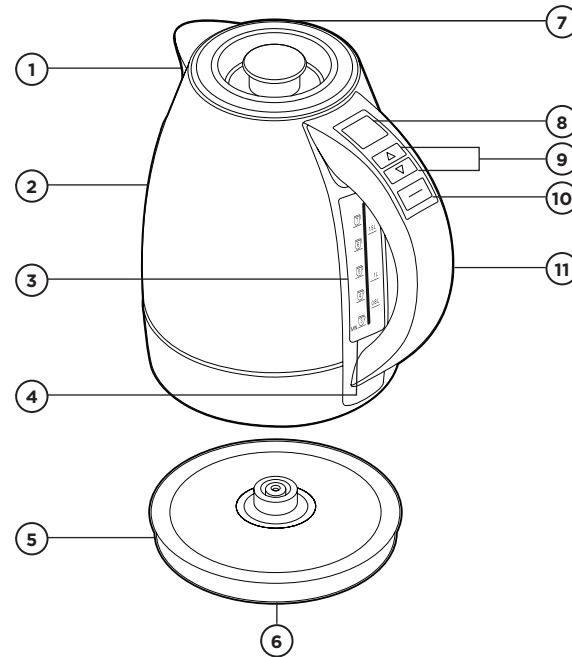
RJ11-17-SS-TC-RL-SERIES

*Boils faster than traditional heating methods like stovetop and microwave.

RJ11-17-SS-TC-RL-SERIES_QSG_FINAL_OTP_013024



FEATURES AND PRESETS



FEATURES AND PRESETS

1. Drip-free spout with removable filter
2. Stainless-steel kettle
3. Water-level window
4. Tricolor LED indicator lights
5. 360° swivel power base
6. Out-of-sight cord storage (under base)
7. Lift-out lid
8. Digital display
9. Temperature increase/decrease buttons
10. Start/Stop button
11. Stay-cool handle with built-in control panel

BUILT-IN PRESETS

- **DELICATE:** 160°F (70°C)
- **GREEN:** 175°F (80°C)
- **WHITE:** 185°F (86°C)
- **OOLONG:** 195°F (90°C)
- **HERBAL:** 212°F (100°C)
- **BLACK:** 212°F (100°C)
- **BOIL:** 212°F (100°C)

INDICATOR COLORS

Power Up/Standby: WHITE
Heating Water to Temperature: RED
Keep Warm: GREEN

BEFORE FIRST USE

1. Remove all packaging and materials. Pull out the power cord, and place the base on a flat surface.
2. Fill the kettle with water to the MAX line.
3. Place the kettle on the base, plug it in, set to Boil (212°F), and press Start.
4. After the water boils, empty the kettle, then rinse it with clean water. It is now ready for use. **NOTE:** Never fill the water above the MAX line or below the MIN line indicated on the kettle.

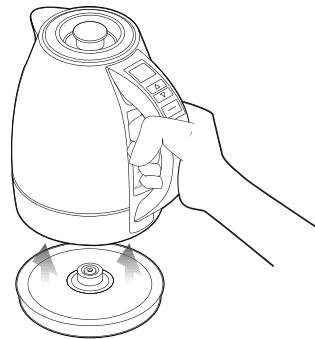
CLEANING AND MAINTENANCE

1. Unplug the kettle and allow it to cool completely before cleaning.
2. Clean the interior of the kettle as needed by carefully washing the inside with soapy water. Do not let the handle get wet. Rinse the inside of the kettle thoroughly. Wipe the exterior of the kettle and the power base with a damp cloth. **Warning:** Never immerse the kettle or power base in water or wash in the dishwasher; doing so will damage the unit.

HOW TO USE THE KETTLE

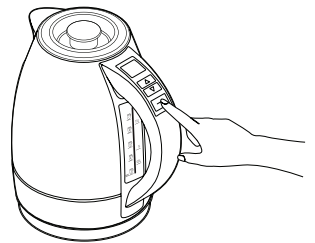
STEP 1

Fill the kettle to at least the MIN line but not above the MAX line with fresh cold water. Then place the kettle securely on the base and plug it in.



STEP 2

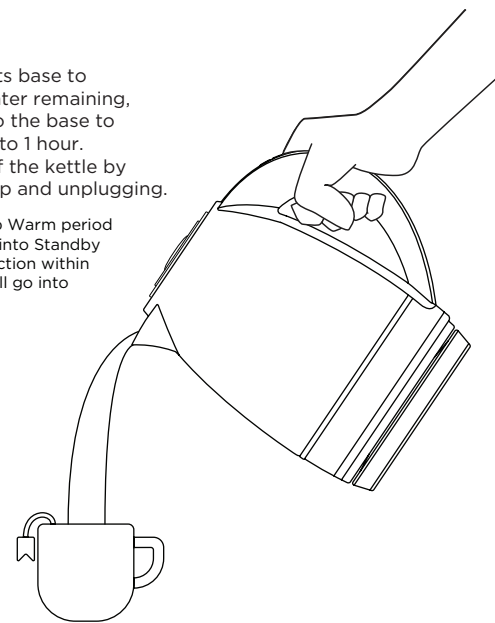
Choose your preferred temperature or one of the presets by pressing the up and down arrows, then press Start. The indicator lights will turn red, indicating heating, and the average live temperature of the water will display.



STEP 3

Lift the kettle off its base to pour. If there is water remaining, return the kettle to the base to keep warm for up to 1 hour. Otherwise, turn off the kettle by pressing Start/Stop and unplugging.

NOTE: After the Keep Warm period ends, the unit will go into Standby mode. If there is no action within 3 minutes, the unit will go into Sleep mode.



TEA BREWING PRESET CHART

The guide below is intended as a starting point for brewing your perfect cup of tea. You may need to vary the amount of tea and steeping times based on the kind of tea, the size of the leaves, and personal preference.

Preset	Temperature	Loose Tea Amount (per cup)	Suggested Steep Time
Delicate	160°F	2 teaspoons	3 minutes
Green	175°F	2 teaspoons	3 minutes
White	185°F	2 teaspoons	4 minutes
Oolong	195°F	2 teaspoons	4 minutes
Herbal	212°F	2 teaspoons	5 minutes
Black	212°F	2 teaspoons	5 minutes