

Chord Electronics
Product Communication | English

The Pumphouse, Farleigh Lane, East Farleigh, Kent,
ME16 9NB. Great Britain.
+44 (0) 1622 721 444
info@chordelectronics.co.uk
chordelectronics.co.uk

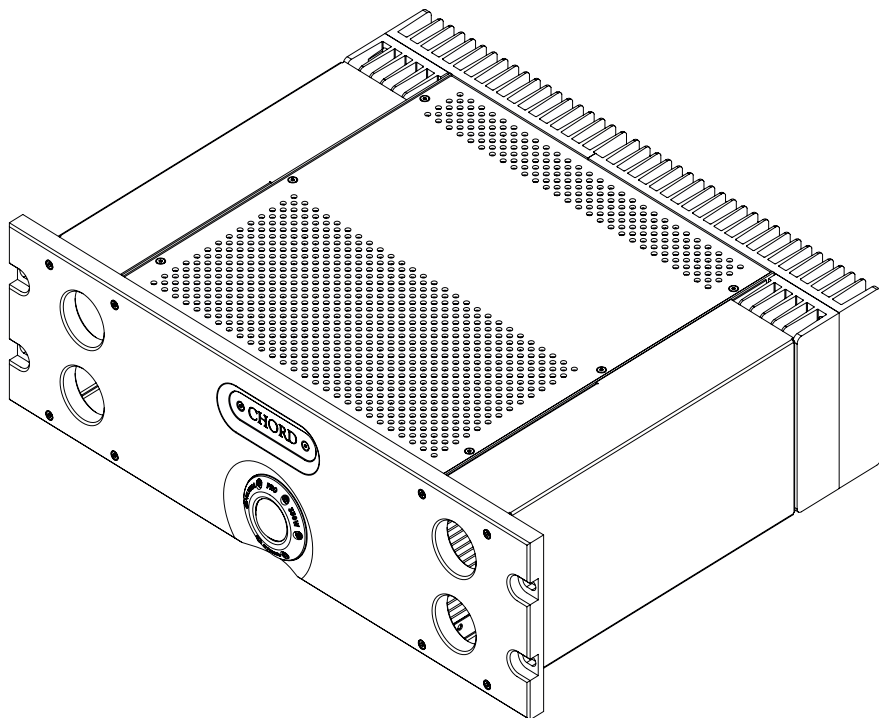
ULTIMA Pro Mono 1000W

V1



Chord Electronics Ltd.

Manual



Made in
BRITAIN



1 Contents

<hr/> Introduction	2
<hr/> Support and warranty	3
<hr/> Connections and controls	4
<hr/> Operation	5
<hr/> Technical specifications	6

2 Introduction

The ULTIMA PRO MONO is a British-made high-performance, no-compromise mono power amplifier, with effortless power reserves.

With all-new ultra-low-noise circuit topology finessed over three decades, the ULTIMA PRO is a thoroughly modern amplifier with time-proven fit-and-forget performance and reliability.

Featuring dual-feed-forward error-correction technology, proprietary power supply tech and active intelligent cooling, the ULTIMA PRO MONO is the perfect tool for working with today's high-resolution audio.

In addition, its ruler-flat frequency response neither adds to or takes away from the original musical performance.

2.1 Safety and care

- Do not allow the device to come into contact with water or liquids.
- Do not spray cleaning products onto the device. Use a clean microfibre cloth to clean the casework.
- A further safety document is included in the box.
- The device does not contain any user-serviceable components. Do not attempt to open, dismantle or apply internal third-party devices to it. Doing so will void the warranty.
- The device benefits from extensive casework ventilation, however, always ensure the ULTIMA Pro mono is used in a well-ventilated setting, away from direct sunlight and heat sources, and has sufficient space around the unit.

3 Support and warranty

For support, please contact the supplying retailer or if you purchased through Chord Electronics you can send us an email at:
pro@chordelectronics.co.uk

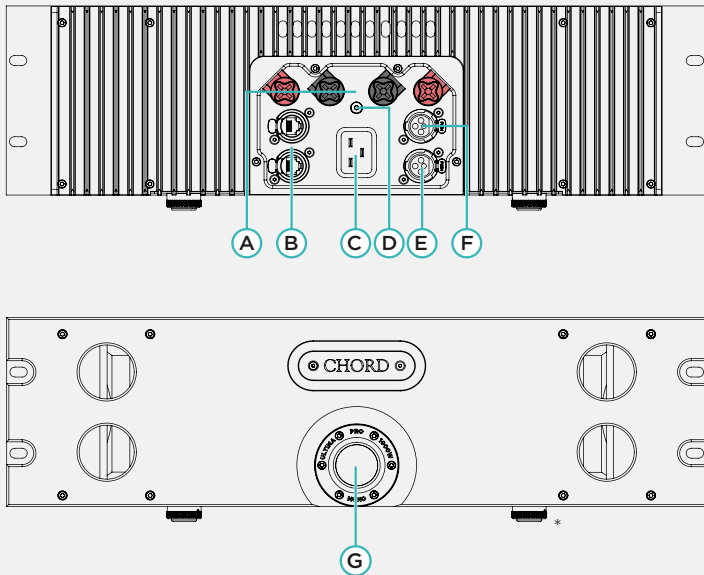


At the point of sale, Chord Electronics Ltd. provides the ULTIMA pro mono with a comprehensive five-year warranty, which covers defects in materials and workmanship through fair usage.

The warranty is transferable with proof of purchase, however, the warranty on ex-demonstration units begins from the retailer's date of purchase. Warranty claims must be made via the supplying retailer.

4 Connections and controls

4.1 Rear and front panels



A	2 x sets of speaker outputs	B	Pair of RJ45 network sockets (for future upgrades)	C	15a IEC AC inlet
D	Grounding post	E	Negative phase input	F	Positive phase input
G	Power button				

*If you're using ULTIMA Pro in a rackmountable system, the feet are removable for ease of use, unscrew to remove the feet.

WARNING: Ensure all system devices are switched off and any volumes are set to zero before making any connections.

5 Operation

WARNING: Always set the volume to zero before switching on/playback and before connecting/removing headphones/speakers.

5.1 Power on/off

To power on ULTIMA Pro mono press the large power button once until you feel a click. The power button will now change to a green colour whilst it begins its initial safety checks. Once the amplifier has passed the safety check, the power button will display a teal colour.

5.2 Input selection

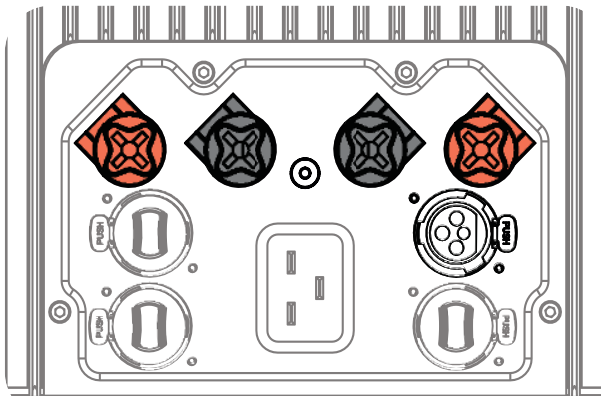
ULTIMA Pro mono is equipped with balanced XLR inputs and has no ability to switch between the inputs therefore, only one must be used. There are also a pair of RJ45 network sockets for future upgrades or partnering devices.

5.3 Output selection

In order to connect ULTIMA Pro stereo to speakers, use high-quality loudspeaker cable terminated with 4mm banana plugs or 6mm spades. Bare wire can be used, but it is not recommended.

Below is a useful guide which you can print out to use with the unit.

Only wire speaker between red and black speaker terminals.



If amplifier enters protection mode, please unplug mains cable, leave for 30 seconds, and re-insert.

6 Technical specifications

Dimensions	483 mm (W) x 176 mm (H) x 377 mm (D) (1 ½ Rack mount)
Frequency response	5 Hz - 180 kHz (0.0 to 0.15 / +0.0 to - 2.9 dB)
Output power (RMS)	1000W <1% THD 4Ω
Signal-to-noise ratio	-84 dB (A-weighted)
THD	5 Hz - 20 kHz 0.0008% to 0.003%
Output Impedance	0.090 Ω



Chord Electronics Ltd.

