

# WARNING!!

Children have died from furniture tipover. Tip restraints have been included with this product; you must install the tip restraints according to these instructions in order to minimize the risk of furniture tipping.

NEVER allow children to climb or hang on furniture, including drawers or cabinet doors.

In addition to installing the restrains, to help prevent tip-over












1. NEVER put a TV or other heavy objects on top of this product".
2. Do not stand on the product

<b>⚠ WARNING</b>	
	<p>Children have died from furniture tipover. To reduce the risk of furniture tipover:</p> <ul style="list-style-type: none"><li>-ALWAYS install anti-tip device provided.</li><li>-NEVER put a TV on this product.</li><li>-NEVER allow children to stand, climb, or hang on any drawers, doors, or shelves.</li><li>-NEVER open more than one drawer at a time.</li><li>-Place heaviest items in the lowest drawers.</li></ul>
	<p><i>This is a permanent label. Do not remove!</i></p>

# Assembly Instructions

Caution : You must read this before you proceed

## Care & Maintenance

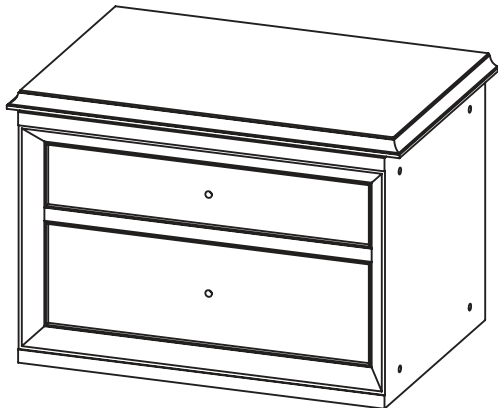
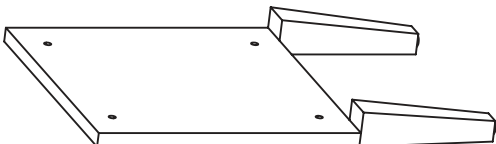
- ⊘  ● Not for commercial use. For residential use only.
- ✓  ● Furniture may scratch floors. We recommend using furniture pads to protect your floors.
- ⊘  ● Do not put hot items directly on furniture surface.
- ⊘  ● Do not clean furniture with harsh cleansers or polish.
- ⊘  ● Do not place furniture under direct sunlight.
- ⊘  ● Do not place furniture near heating or cooling vents.
- ⊘  ● Do not write on furniture without a padded barrier to protect the surface.
- ⊘  ● Do not place furniture outside . For indoor use only.
- ⊘  ● Stains may be removed with mild soap solution and damp cloth.
- ⊘  ● Children should not climb or jump on the furniture.
- ✓  ● Dust and pick-up spills using a clean, non-colored, lint-free cloth.

Please look in carton for hardware packs and legs.




# Side Table







# Parts List

Label	Picture	Description	QTY
A		Top Panel	1
B		Leg	2

# Hardware

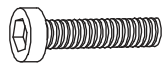
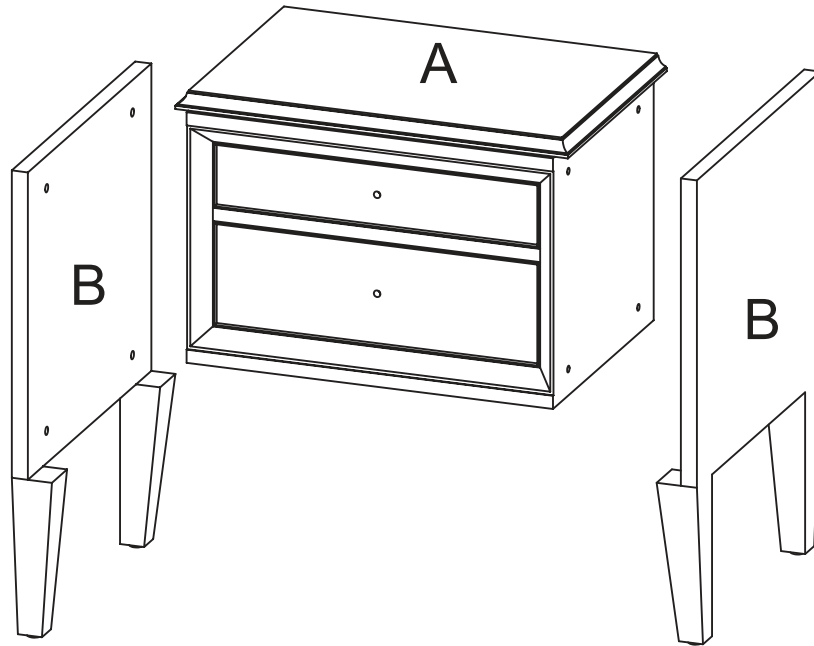
Label	Picture	Description	QTY
①		Bolt (M6*30mm)	8+1
②		Flat washer	8+1
③		L-type Hexagon Wrench	1

# Restraint Device Hardware

④		Anti-Tipping sheet iron	2
⑤		Nut	2
⑥		Screw Ø4*14mm	2
⑦		Screw Ø4*35mm	2

# Assembly Preparation

Before  
Beginning  
Assembly:



① x9



② x9



③ x1



④ x2



⑤ x2



⑥ x2



⑦ x2



- Read instructions, cover to cover-



- Have 2 adults on hand for assembly-



- Do not assemble on flooring or carpet-



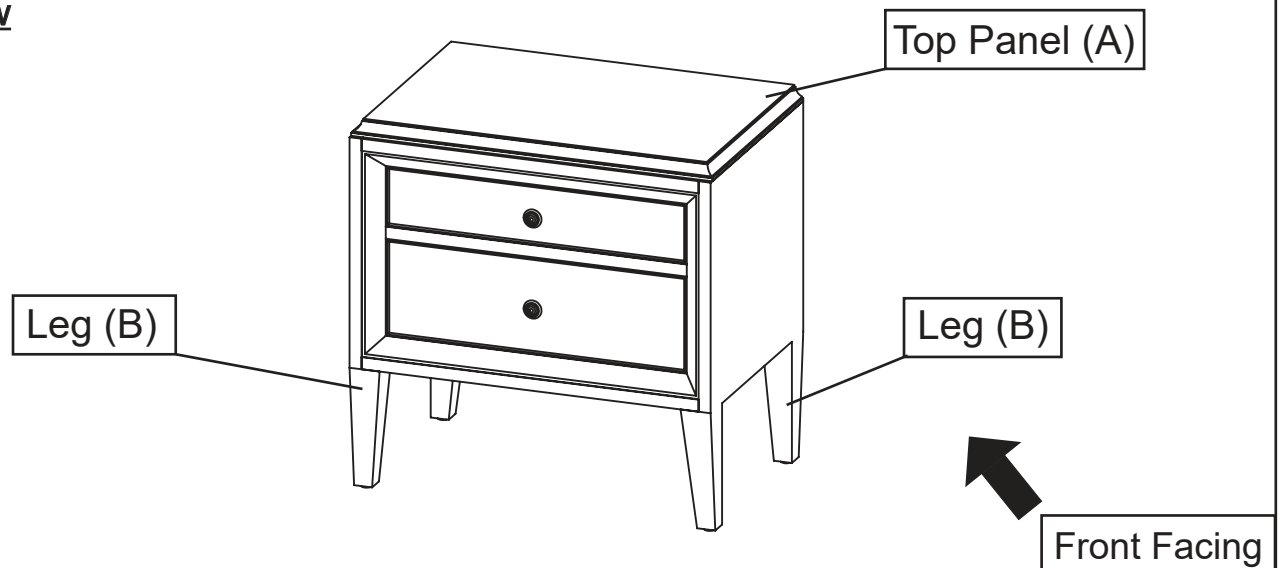
- Assemble on a clean non-marring surface (packing foam)-



- Save all packaging until finished-

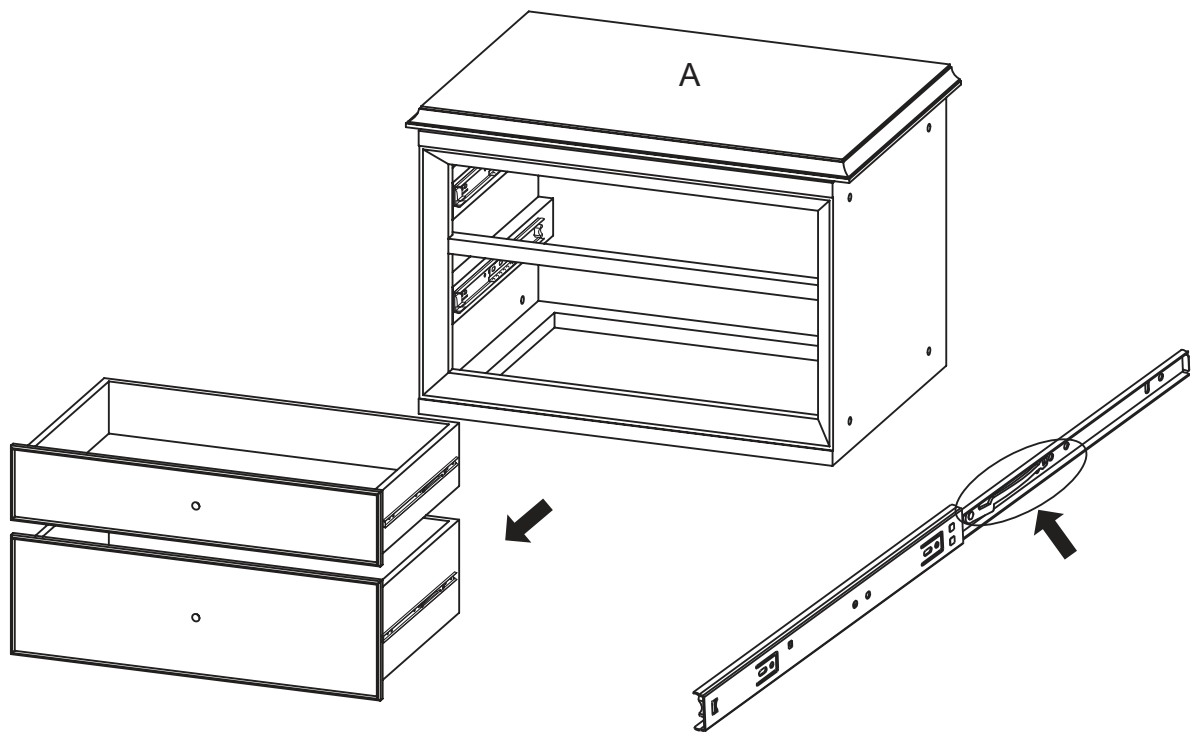
# Assembly Steps

## Overview



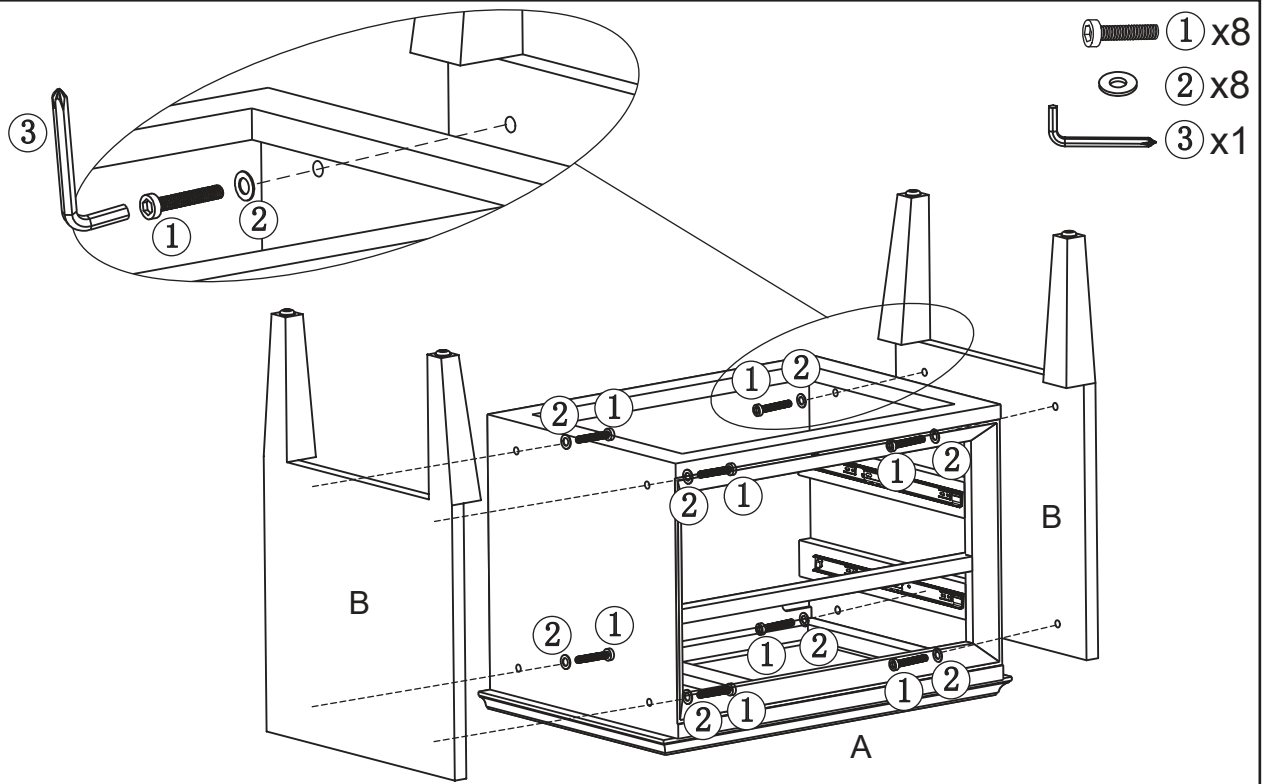
This side table has multiple parts and may require up to 30 minutes to assemble. To give you an overview of the side table parts, the above picture is to help you put the various parts into perspective. Please read through the instructions below to familiarise yourself with the parts and steps before assembly.

## Step 1



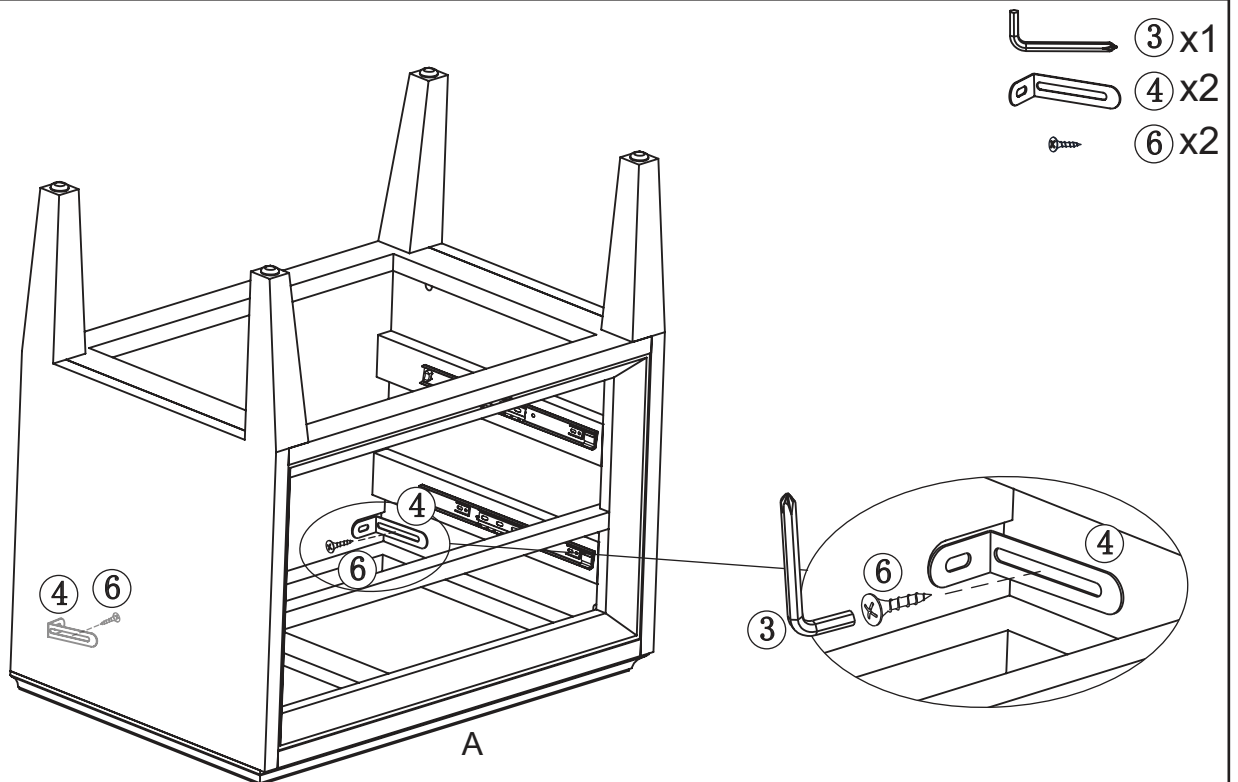
Take the drawer from the top panel (A).

Step 2



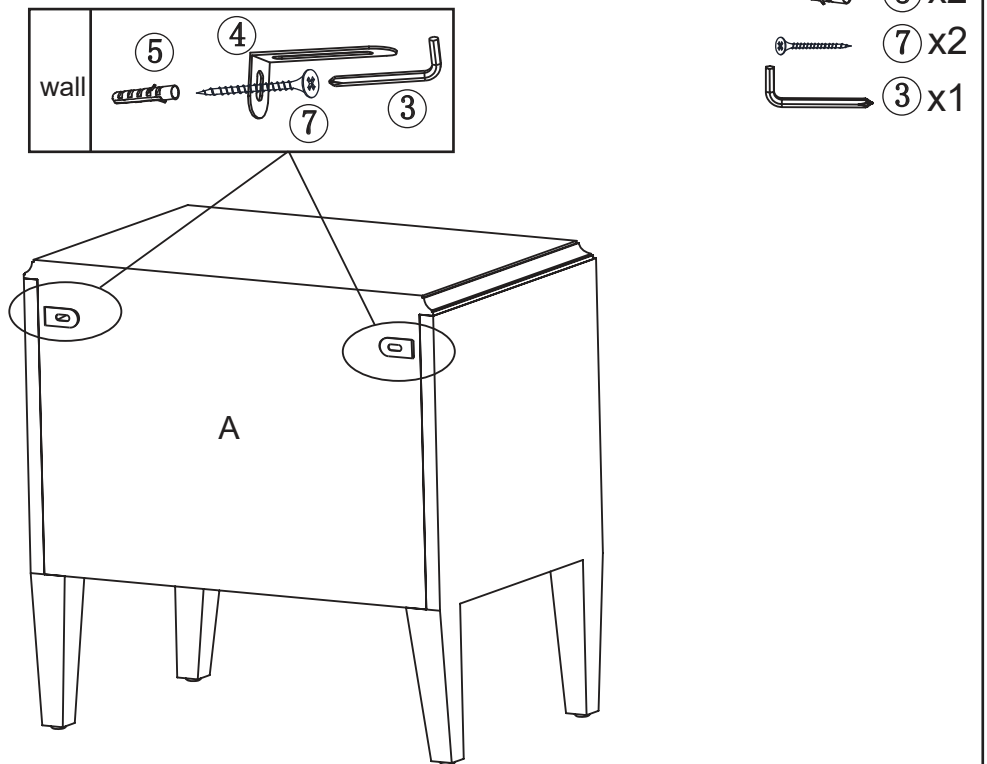
Attach the top panel (A) to the leg(B) with bolt(①) and flat washer(②) using I-type hexagon wrench(③).

Step 3



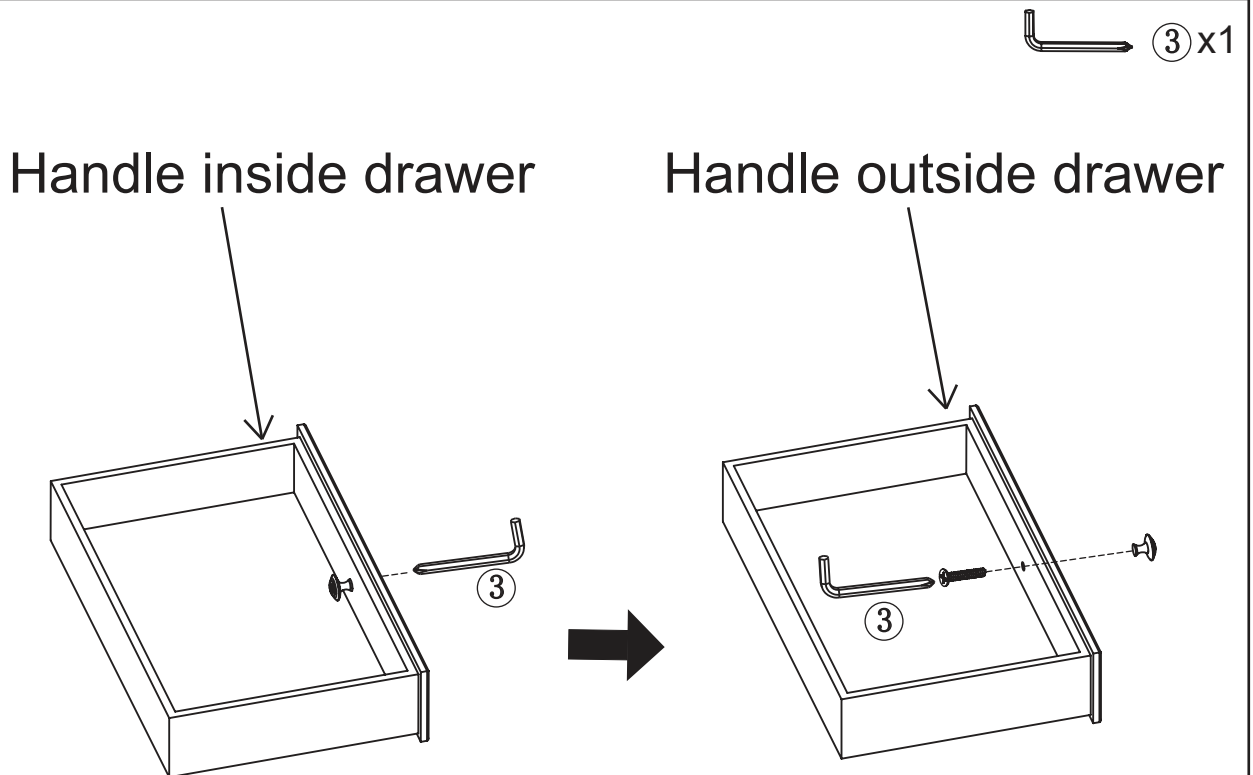
Attach the long side of anti-tipping sheet iron( ④ ) connected to the top panel(A) with screw( ⑥ ) using I-type hexagon wrench(③).

Step 4



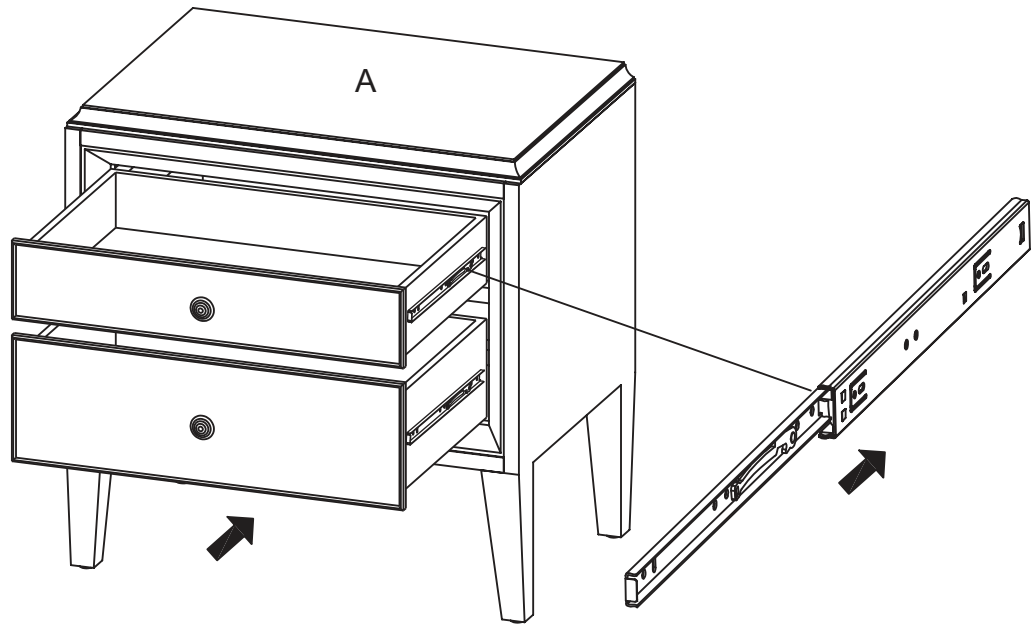
Screw the nut ( ⑤ ) into the wall. Install the short side of anti-tipping sheet iron ( ④ ) on the wall with screw ( ⑦ ) using I-type hexagon wrench ( ③ ).

Step 5



Lock the handle outside the drawer using I-type hexagon wrench ( ③ ).

Step 6



Please put the drawer in the top panel (A).

Step 7



Note: If the assembled product is uneven, this can be resolved by adjusting the feet.

You table is ready for use.