

Clarifire®



This product is only suitable for well insulated areas and is not designed to be the primary heat source.

2KW ELECTRIC FAN HEATER

MODEL NO: DEVIL 2000PTC

PART NO: 6925590

OPERATION & MAINTENANCE INSTRUCTIONS



ORIGINAL INSTRUCTIONS

GC0621 - ISS 7

**THE FOLLOWING TABLE ADDRESSES THE INFORMATION
REQUIREMENTS OF REG.2015/1188**

Item	Symbol	Value	Unit	Item	Unit
Heat output				Type of heat input for electric storage local heaters only	
Measured seasonal space heating energy efficiency			36%	Manual heat charge control with integrated thermostat	No
Nominal heat output	P _{nom}	2	kW	Manual heat charge control with room and/or outdoor temperature feedback	No
Minimum heat output (indicative)	P _{min}	1	kW	Electronic heat charge control with room and/or outdoor temperature feedback	No
Maximum continuous heat output	P _{max}	2	kW	Fan assisted output	Yes
Auxiliary electricity consumption				Type of heat output/room temperature control (select one)	
At nominal heat output	el _{max}	N/A	kW	Single stage heat output, no temperature control	No
At minimum heat output	el _{min}	N/A	kW	Two or more manual stages, no temperature control	No
In standby mode	el _{SB}	N/A	kW	With mechanical thermostat temp control	Yes
				With electronic temperature control	No
				Electronic temperature control with day timer	No
				Electronic temperature control with week timer	No
				Other control options (multiple selections possible)	
				Room temperature control with presence detection	No
				Room temperature control with open window detection	No
				Room temperature control with distance control option	No
				Room temperature control with adaptive start control	No
				Room temperature control with working time limitation	No
				Room temperature control with black bulb sensor	No

SAFETY RULES

Make sure that you read, understand and comply with the following.



WARNING: THIS PRODUCT IS ONLY SUITABLE FOR WELL INSULATED AREAS AND IS NOT DESIGNED TO BE THE PRIMARY HEAT SOURCE.

GENERAL

- DO NOT operate the heater when you are tired or under the influence of alcohol, drugs or intoxicating medication.
- DO NOT stand on the heater.
- DO NOT use the heater with wet hands or when there is water on the power cable.
- Turn the heater off when not in use and keep it in a safe, dry, childproof location.
- The heater is designed to heat enclosed areas such as workshops and other industrial areas. Do not use the heater for any other function. It is not suitable for drying clothes or laundry.

ELECTRICAL SAFETY



WARNING: THIS HEATER MUST BE EARTHED

- Regularly inspect the power cable / plugs for damage/looseness. Do not use the heater if the power cable is damaged.
- Minimise the risk of electric shock by installing a RCCB (Residual Current Circuit Breaker) and a suitable isolator into the main distribution board.
- Make sure that the voltage on the rating label is the same as the voltage of the power supply. If in doubt, consult a qualified electrician.
- Do not abuse the electrical cable. Do not use the cable for pulling or unplugging the heater.
- Keep the cable away from sources of heat, oil, sharp edges or moving parts. Damaged or tangled cables increase the risk of electric shock.
- Do not use extension cables with this heater.

POSITIONING



WARNING: DO NOT USE THE HEATER NEAR FLAMMABLE MATERIAL, LIQUIDS, SOLIDS, GASSES OR COMPRESSED GAS CYLINDERS ETC.

- This heater is designed for indoor use only.
- DO NOT place the heater close to a bath, wash basin, shower, swimming pool or any other water-filled area or wet surface. DO NOT place the heater against any surface such as a wall, door or furniture etc.
- DO NOT place the heater immediately below any electrical outlet.
- NEVER place the heater near combustible materials etc. Allow 2 metres clearance all round this heater.
- DO NOT place the heater on a raised surface or anywhere it could topple over.
- Take care to ensure that the grille cannot be blocked.
- Do not operate fan heater in explosive atmospheres such as in the presence of flammable liquids, gasses or dust such as in a paint spray booth, or any explosive environment. Electric motors create sparks which may ignite dust or fumes.

OPERATION

- The heater must only be used by people who have read these instructions and have been trained in its use.
- DO NOT obstruct the air inlet and outlet sections of the heater.
- DO NOT cover the heater.
- DO NOT touch the heater casing or grille when first switched off, as these will be very hot and will take time to cool.
- DO NOT get the heater wet or use in areas of high condensation.
- DO NOT allow the power lead to touch hot surfaces.
- DO NOT connect other appliances to the same mains socket as the heater.
- Only use the heater in a level position.
- Do not use this heater with a programmable timer used to switch it on automatically.

MAINTENANCE.



WARNING: DISCONNECT THE HEATER FROM THE POWER SUPPLY BEFORE SERVICING OR PERFORMING ANY MAINTENANCE. THIS MUST ONLY BE CARRIED OUT BY THE CLARKE SERVICE DEPARTMENT.

- Check that the heater is in good working order. Take immediate action to have it repaired or any damaged parts replaced.
- DO NOT attempt to repair a damaged heater yourself. Always contact the Clarke service department.
- Do not allow the heating elements to become covered with dust, which could become a fire hazard. If used in a dusty workplace it should be cleaned as described under Cleaning and Maintenance.
- The Clarke service department will use recommended parts only. Unapproved parts may be dangerous and will invalidate the warranty.

SERVICING & REPAIRS

- Have your heater repaired by a qualified person using identical replacement parts to maintain the safety of the appliance.

SAFETY SYMBOLS

These safety symbols appear on the heater.

	<p>Hot Surface, Do Not Touch</p>	<p>DO NOT COVER</p>	<p>Do Not Cover</p>
	<p>WEEE Directive for the disposal of waste electrical & electronic equipment</p>		

ENVIRONMENTAL RECYCLING POLICY



Through purchase of this product, the customer is taking on the obligation to deal with the WEEE in accordance with the WEEE regulations in relation to the treatment, recycling & recovery and environmentally sound disposal of the WEEE.

In effect, this means that this product must not be discarded with general household waste. It must be discarded according to the laws governing Waste Electrical and Electronic Equipment (WEEE) at a recognized disposal facility.

ELECTRICAL CONNECTIONS



WARNING: READ THESE ELECTRICAL SAFETY INSTRUCTIONS THOROUGHLY BEFORE CONNECTING THE PRODUCT TO THE MAINS SUPPLY.

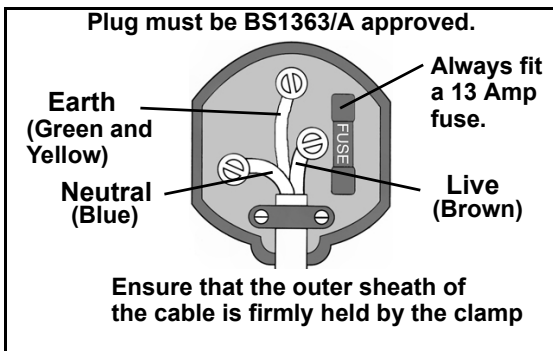
Connect the mains lead to a standard, 230 Volt (50Hz) electrical supply through an approved 13 amp BS 1363 plug, or a suitably fused isolator switch. If the plug has to be changed because it is not suitable for your socket, or because of damage, it must be removed and a replacement fitted, following the wiring instructions shown below. The old plug must be discarded safely, as insertion into a power socket could cause an electrical hazard.



**WARNING: THE WIRES IN THE POWER CABLE OF THIS PRODUCT ARE COLOURED IN ACCORDANCE WITH THE FOLLOWING CODE:
BLUE = NEUTRAL BROWN = LIVE YELLOW AND GREEN = EARTH**

If the colours of the wires in the power cable do not agree with the markings on the plug.

- The BLUE wire must be connected to the terminal which is marked N or coloured black.
- The BROWN wire must be connected to the terminal which is marked L or coloured red.
- The YELLOW AND GREEN wire must be connected to the terminal which is marked E or \perp or coloured green.



We strongly recommend that this machine is connected to the mains supply through a Residual Current Device (RCD)

If you are not sure, consult a qualified electrician. DO NOT try to do any repairs yourself.

OPERATION



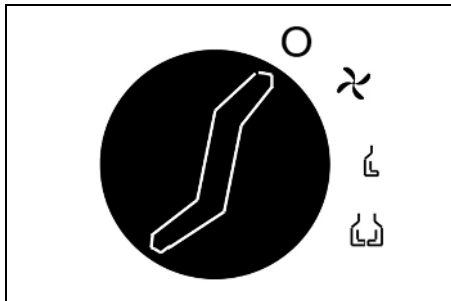
WARNING: DO NOT USE THIS HEATER IN SMALL ROOMS WHEN THEY ARE OCCUPIED BY PERSONS NOT CAPABLE OF LEAVING THE ROOM ON THEIR OWN, UNLESS CONSTANT SUPERVISION IS PROVIDED.



CAUTION: PARTS OF THIS HEATER CAN BECOME VERY HOT AND CAUSE BURNS. PARTICULAR ATTENTION HAS TO BE GIVEN WHERE CHILDREN AND VULNERABLE PEOPLE ARE PRESENT.

1. Place the heater in a level position on a flat surface and at a safe distance from flammable materials. Keep 2m clearance all round.
2. Connect the heater to a suitable power supply.
3. Set the thermostat control to the maximum setting (fully clockwise).
4. Set the mode selector to one of the following settings:

	Off
	Fan Only
	Fan + Heat Setting 1
	Fan + Heat Setting 2



- The heater will take up to three minutes to reach optimum temperature.
5. Once the room reaches the required temperature, turn the thermostat control slowly counter-clockwise until the thermostat clicks, leave the control in this position.
 - The heater will continue to operate until the power switch is turned to the OFF position.

- For fan only operation, turn the power switch to the fan only setting and set the thermostat to its minimum setting.
- When not in use, disconnect the heater from the mains supply. Store it in a safe, dry, childproof location.

ADJUSTING THE ANGLE

- Loosen both handwheels.
- Adjust to the required angle.
- Retighten the handwheels.



THERMOSTATIC PROTECTION

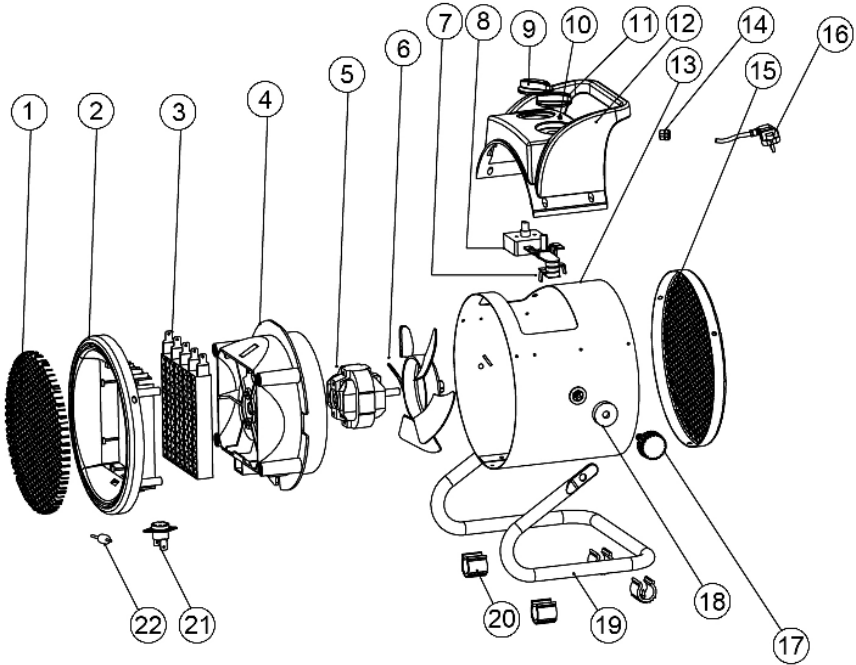
The Devil 2000PTC has a thermal cut out to prevent it from overheating.

If the temperature of the front grille gets too high the thermal cutout will turn off the heating elements. When the fan has cooled the unit sufficiently, normal operation will resume.

FAULTFINDING

Problem	Possible Cause	Remedy
Heater does not operate, although plugged in with the switch and thermostat switched on.	Plug is loose/bad connection.	Pull the plug out & check the connection of the plug and socket.
	Fuse blown or circuit breaker trips.	Replace if necessary and investigate cause. If fuse blows repeatedly, consult your Clarke dealer.
	No power at socket	Insert the plug in a functioning socket
Heating element glowing hot.	Input voltage too high.	Use a power supply in accordance with the rating on the label.
	Air inlet grille is blocked	Ensure the heater is kept away from any objects which could cover the air inlet or be drawn into it.
Heater has failed to heat up so only the air fan has operated.	Control switch not set at a "HEATING" level.	Turn switch to a heating level.
	Thermostat has tripped.	Turn the thermostat and listen. If there is no CLICK and the thermostat is not damaged, the heater will automatically switch ON when it has cooled down.
Abnormal noise	Heater is not level.	Stand heater on a level surface

PARTS LIST & DIAGRAM



NO	DESCRIPTION	NO	DESCRIPTION
1	Front Grille	12	Control Box
2	Air Outlet	13	Outer Casing
3	PTC Heating Element	14	Cable Fastener
4	Air Flue	15	Back Grill
5	Motor	16	Power Cable
6	Fan	17	Screw
7	Adjustable Thermostat	18	Rubber Gasket
8	Rotary Switch	19	Steel Pipe
9	Switch Knob	20	Feet
10	Indicator Lamp Cover	21	Self Setting Thermostat
11	Thermostatic Knob	22	Metal Thermal Protection

A SELECTION FROM THE VAST RANGE OF

Clarke®

QUALITY PRODUCTS



AIR COMPRESSORS
From DIY to industrial, Plus air tools, spray guns and accessories.

GENERATORS
Prime duty or emergency standby for business, home and leisure.

POWER WASHERS
Hot and cold, electric and engine driven - we have what you need

WELDERS
Mig, Arc, Tig and Spot.
From DIY to auto/industrial.

METALWORKING
Drills, grinders and saws for DIY and professional use.

WOODWORKING
Saws, sanders, lathes, mortisers and dust extraction.

HYDRAULICS
Cranes, body repair kits, transmission jacks for all types of workshop use.

WATER PUMPS
Submersible, electric and engine driven for DIY, agriculture and industry.

POWER TOOLS
Angle grinders, cordless drill sets, saws and sanders.

STARTERS/CHARGERS
All sizes for car and commercial use.



PARTS & SERVICE: 0208 988 7400

Parts Enquiries
Parts@clarkeinternational.com

Servicing & Technical Enquiries
Service@clarkeinternational.com

SALES: UK 01992 565333 or Export 00 44 (0)1992 565335

Clarke INTERNATIONAL Hemnall Street, Epping, Essex CM16 4LG
www.clarkeinternational.com