

ASSEMBLY INSTRUCTIONS
COASTER FINE FURNITURE



Fine Furniture for every stage of life

205131F (B1-B3)
Full Bed

ITEM: 205131F (B1-B3)



ASSEMBLY INSTRUCTIONS

ASSEMBLY TIPS:

1. Remove hardware from box and sort by size.
2. Please check to see that all hardware and parts are present prior to start of assembly.
3. Please follow attached instructions in the same sequence as numbered to assure fast & easy assembly.



WARNING!

1. Don't attempt to repair or modify parts that are broken or defective. Please contact the store immediately.
2. This product is for home use only and not intended for commercial establishments.



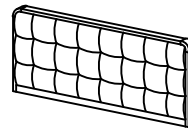
ASSEMBLY TIME

35 MINUTES

PARTS IDENTIFICATION

B1 (BOX 1)

- A HEADBOARD PANEL
- B LEFT HEADBOARD LEG
- C RIGHT HEADBOARD LEG
- D HEADBOARD BOTTOM RAIL



1PC



1PC



1PC



1PC

B2 (BOX 2)

- E FOOTBOARD PANEL
- F FOOTBOARD LEG



1PC



2PCS

B3 (BOX 3)

- G BED RAIL
- H CENTER RAIL
- I CENTER RAIL SUPPORT WITH LEVELER
- J ROLL SLAT (7PCS)



2PCS



1PC



2PCS



2SETS

ITEM: 205131F (B1-B3)



ASSEMBLY INSTRUCTIONS

ASSEMBLY TIPS:

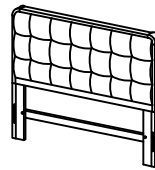
1. Remove hardware from box and sort by size.
2. Please check to see that all hardware and parts are present prior to start of assembly.
3. Please follow attached instructions in the same sequence as numbered to assure fast & easy assembly.



WARNING!

1. Don't attempt to repair or modify parts that are broken or defective. Please contact the store immediately.
2. This product is for home use only and not intended for commercial establishments.

HB 205131F (B1) FROM BOX 1
HEADBOARD COMPLETE



1PC

FB 205131F (B2) FROM BOX 2
FOOTBOARD COMPLETE



1PC

HARDWARE IDENTIFICATION

Z-B3 (BOX 3) - HARDWARE PACK IS LOCATED IN 205131F (B3)

1	ALLEN WRENCH (M4 x 110mm - BLK)		1PC
2	SHORT BOLT WITH WASHER (M6 x 25mm - BLK)		8PCS
3	MEDIUM BOLT WITH WASHER (M6 x 45mm - BLK)		12PCS
4	LONG BOLT WITH WASHER (M6 x 60mm - BLK)		4PCS
5	SHORT FLAT HEAD SCREW (M4 x 20mm - BLK)		8PCS
6	LONG FLAT HEAD SCREW (#8 x 1 1/8" - BLK)		28PCS
7	HEX NUT (M6 - RBW)		2PCS
8	U BRACKET (26 x 63 x 70mm - RBW)		2PCS
9	WRENCH (2 x 24.5 x 85 - RBW)		1PC

NOTE:

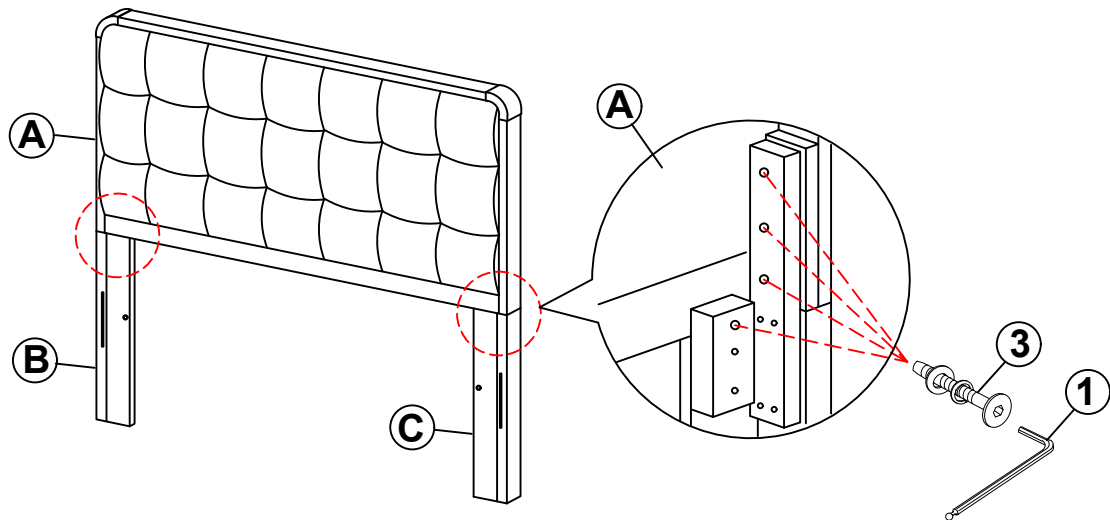
Phillips head screw driver is required in the assembly process; however, manufacturer does not provide this item.

ITEM: **205131F (B1-B3)**

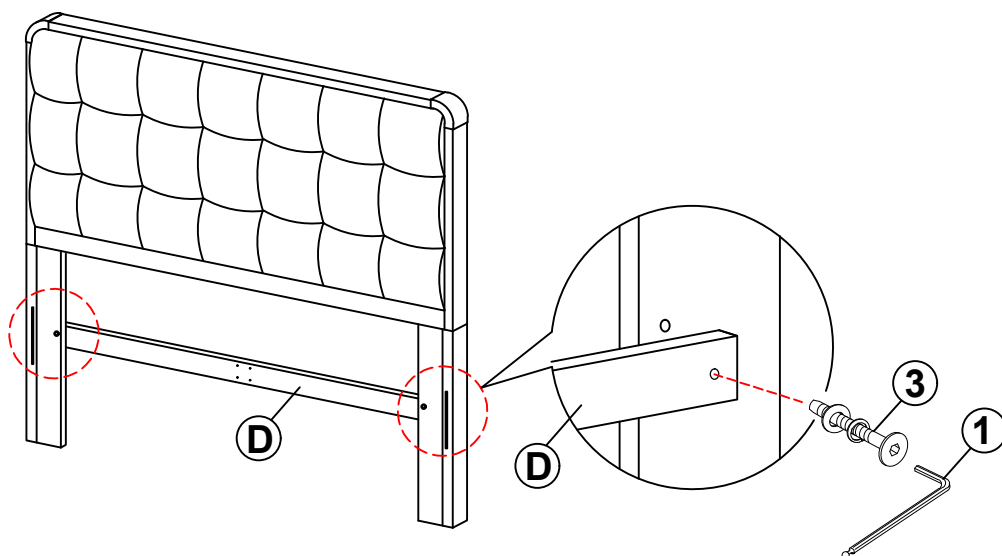


ASSEMBLY INSTRUCTIONS

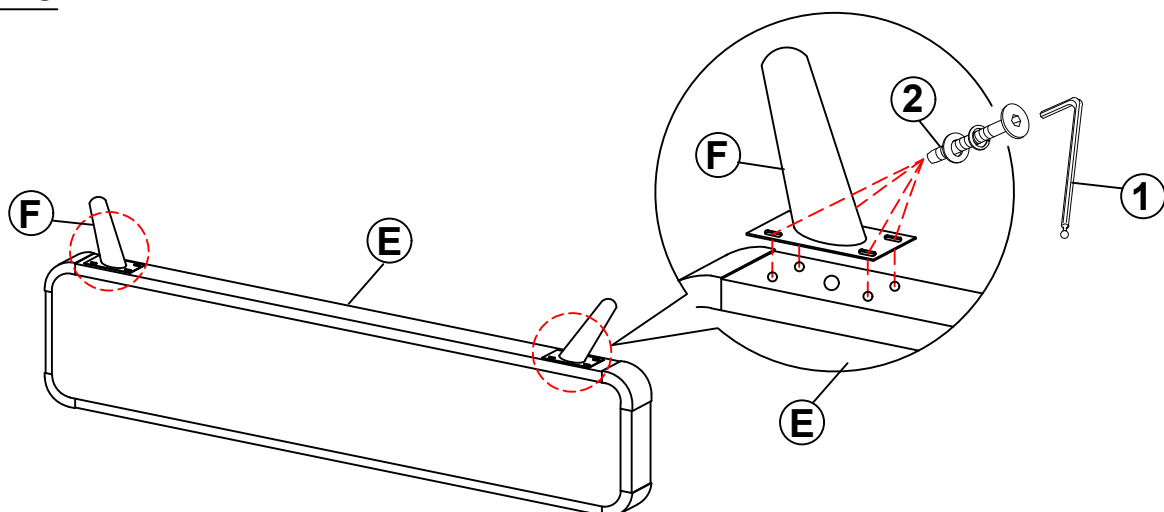
STEP 1



STEP 2



STEP 3

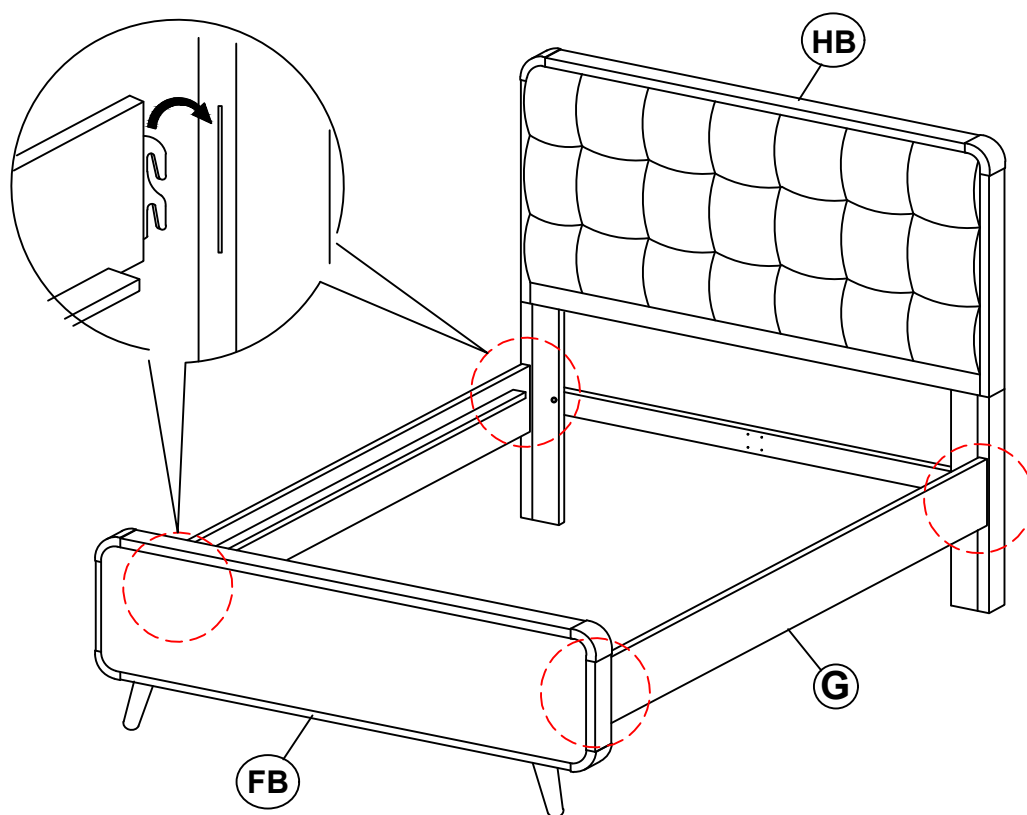


ITEM: **205131F (B1-B3)**

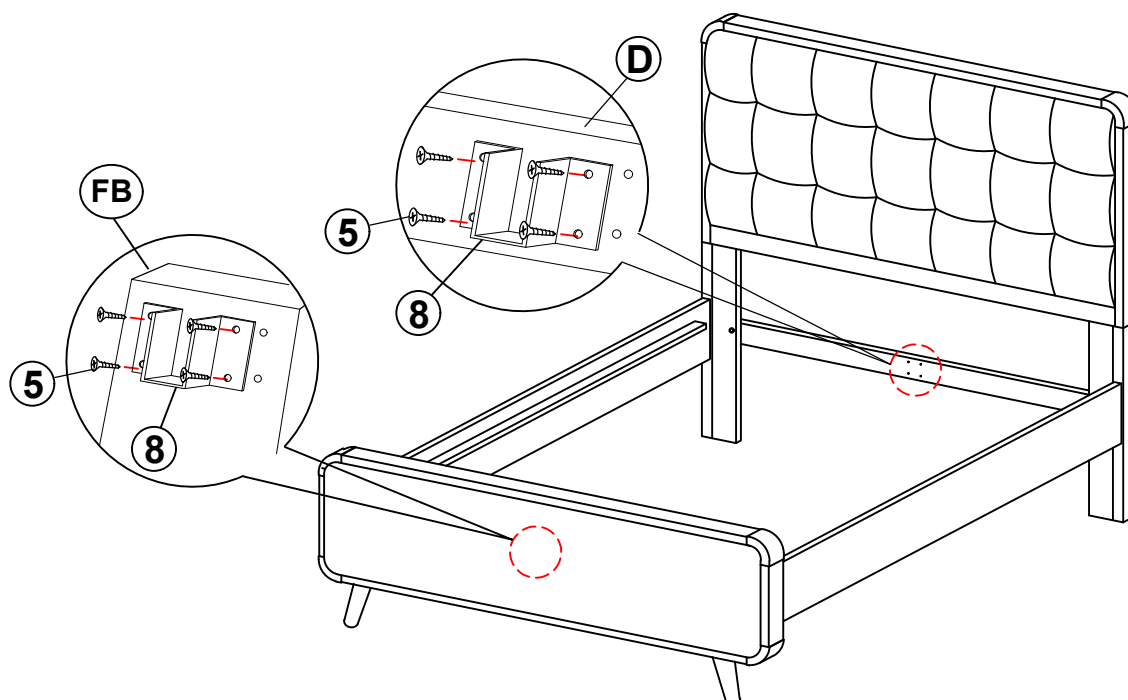


ASSEMBLY INSTRUCTIONS

STEP 4



STEP 5



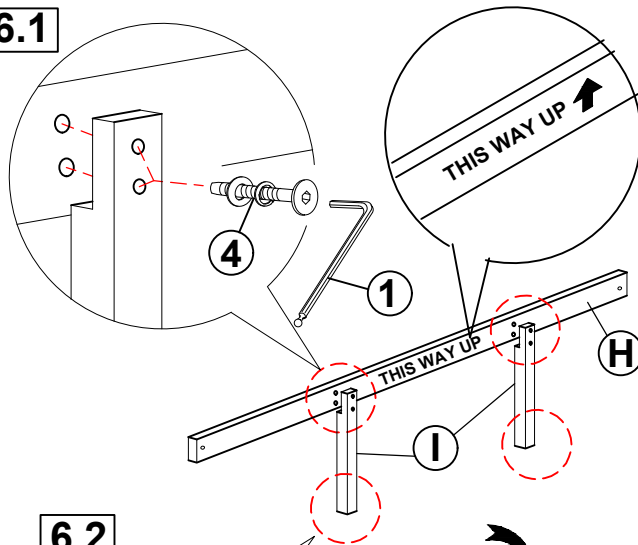
ITEM: **205131F (B1-B3)**



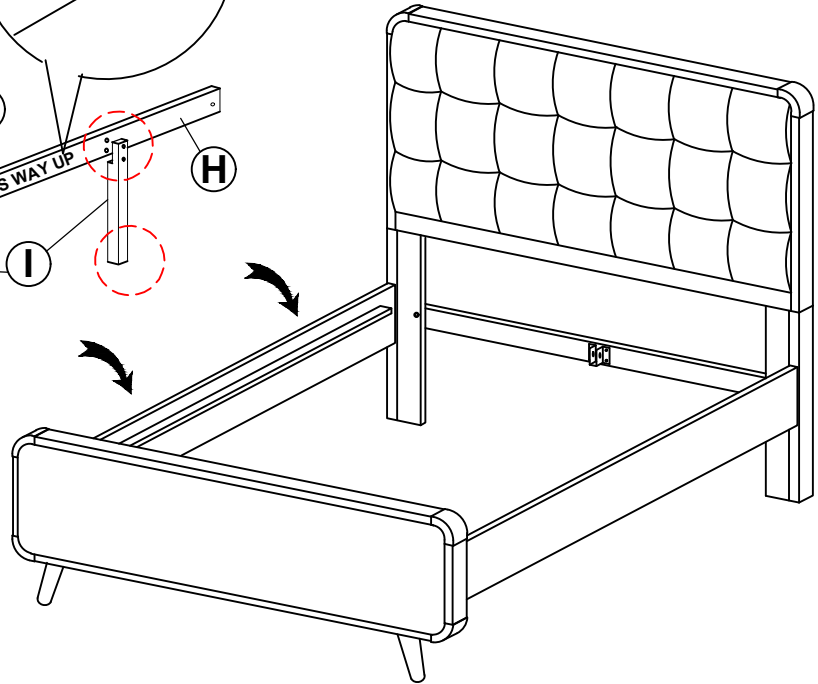
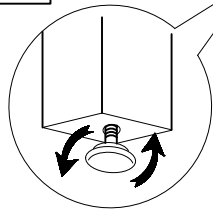
ASSEMBLY INSTRUCTIONS

STEP 6

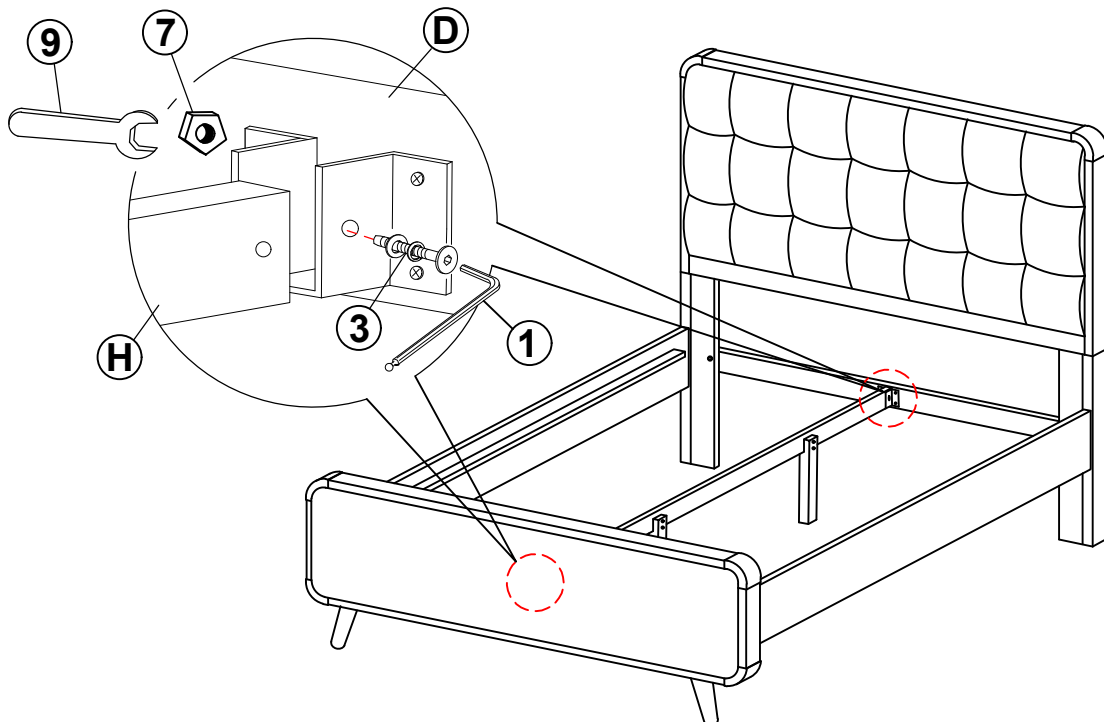
6.1



6.2



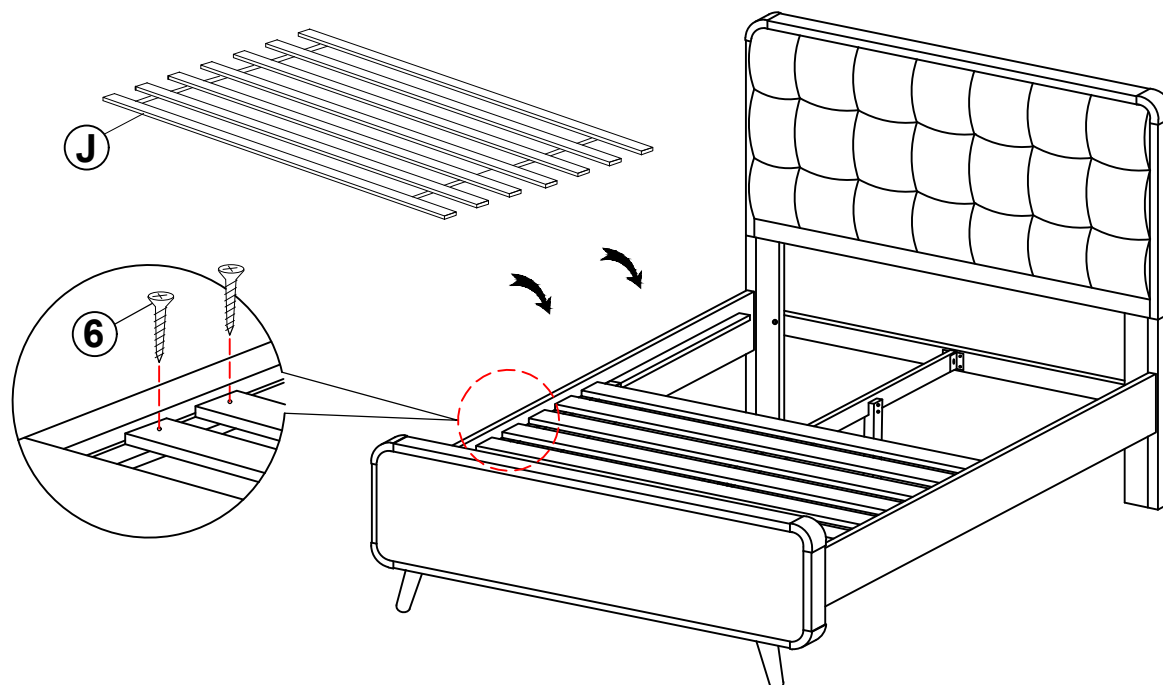
STEP 7



ITEM: **205131F (B1-B3)**

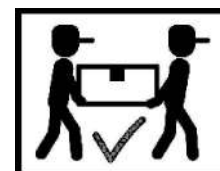
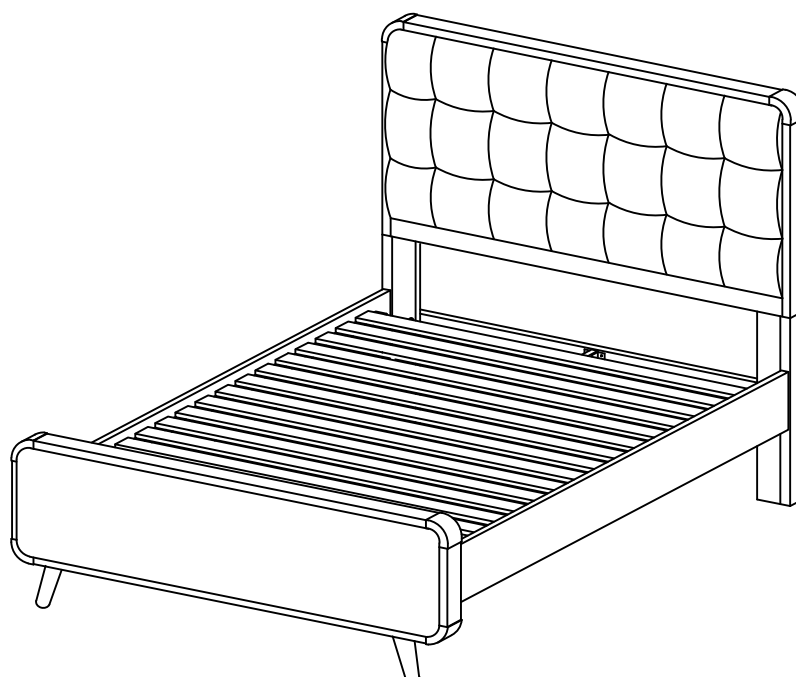
ASSEMBLY INSTRUCTIONS

STEP 8



STEP 9

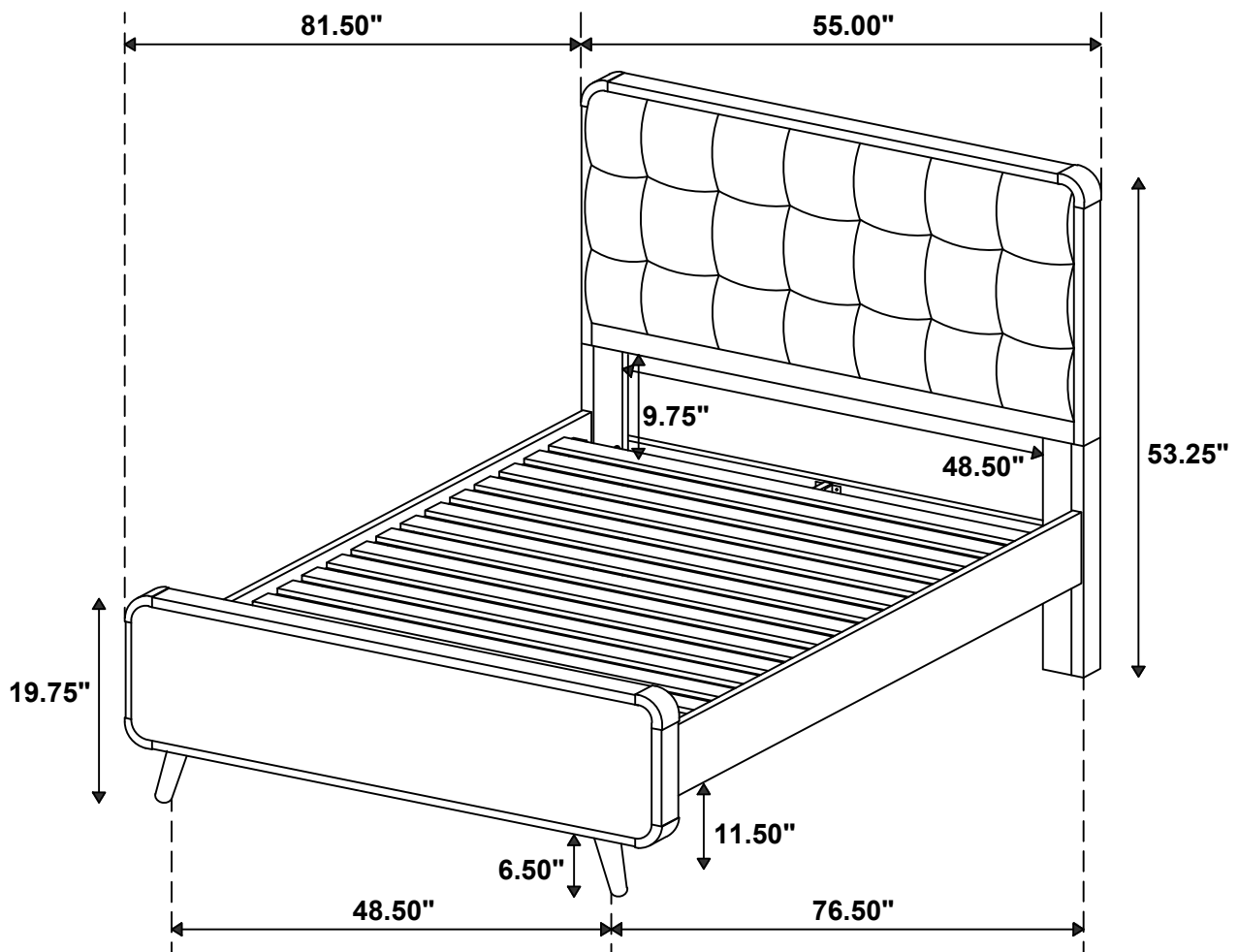
COMPLETE



ITEM: **205131F (B1-B3)**



Inner Size : 54.50"W x 76.00"D



Note : Dimension tolerance $\pm 5\%$