

ASSEMBLY INSTRUCTIONS
COASTER FINE FURNITURE



Fine Furniture for every stage of life

202091Q (B1&B2)
Queen Bed

REVISION 0 : 11/26/2013
REVISION 1 : 09/07/2018
REVISION 2 : 01/02/2019
REVISION 3 : 07/05/2019

ITEM: 202091Q (B1 & B2)



ASSEMBLY INSTRUCTIONS

ASSEMBLY TIPS:

1. Remove hardware from box and sort by size.
2. Please check to see that all hardware and parts are present prior to start of assembly.
3. Please follow attached instructions in the same sequence as numbered to assure fast & easy assembly.



WARNING!

1. Don't attempt to repair or modify parts that are broken or defective. Please contact the store immediately.
2. This product is for home use only and not intended for commercial establishments.

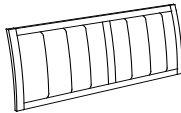
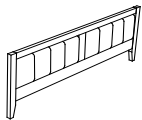

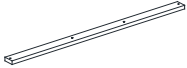




ASSEMBLY TIME


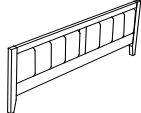
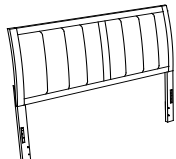
20 MINUTES

PARTS IDENTIFICATION

B1 (BOX 1)






A	HEADBOARD PANEL		1PC	D	FOOTBOARD		1PC
B	RIGHT HEADBOARD LEG		1PC	E	BED SLAT		4PCS
C	LEFT HEADBOARD LEG		1PC	F	BED SLAT SUPPORT WITH LEVELER		4PCS

B2 (BOX 2)

G	BED RAIL		2PCS	D	202091Q(B1) FROM BOX 1 FOOTBOARD		1PC
HB	202091Q(B1) FROM BOX 1 HEADBOARD COMPLETE		1PC				

HARDWARE IDENTIFICATION

Z-B1 (BOX 1) - HARDWARE PACK IS LOCATED IN 202091Q (B1)

1	BOLT (M6 x 35mm - BLK)		6PCS	4	ALLEN WRENCH (M4 x 60mm - BLK)		1PC
2	LOCK WASHER (1/4" - BLK)		6PCS	5	FLAT HEAD SCREW (M4 x 32mm - RBW)		8PCS
3	FLAT WASHER (1/4"ID x 13mm - BLK)		6PCS				

NOTE:

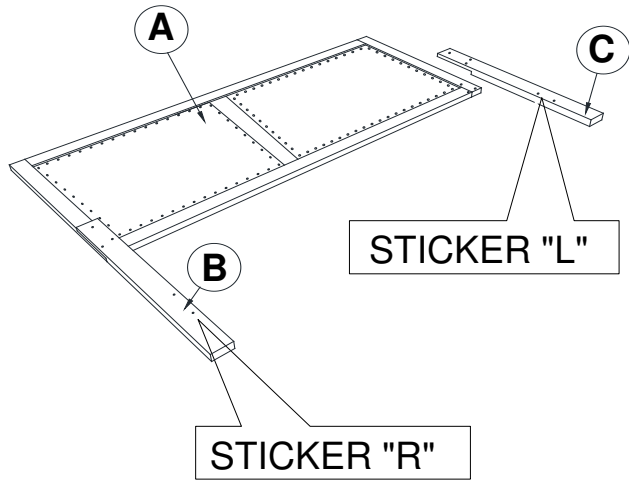
Phillips head screw driver is required in the assembly process; however, manufacturer does not provide this item.

ITEM: 202091Q (B1&B2)



ASSEMBLY INSTRUCTIONS

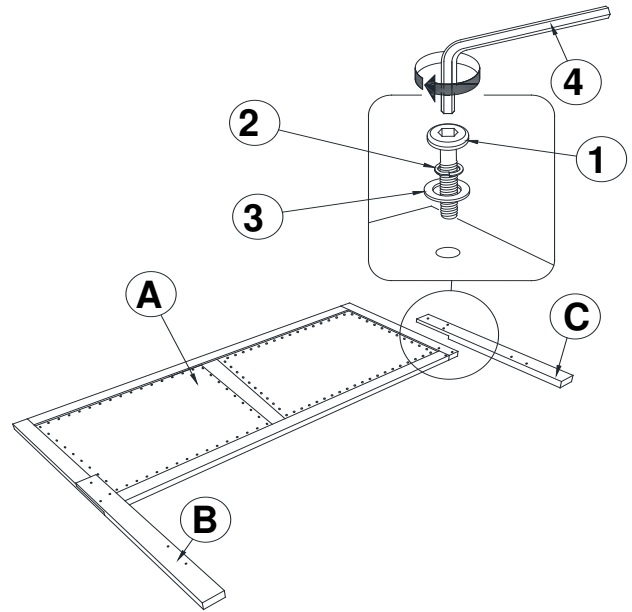
STEP 1



BACK VIEW

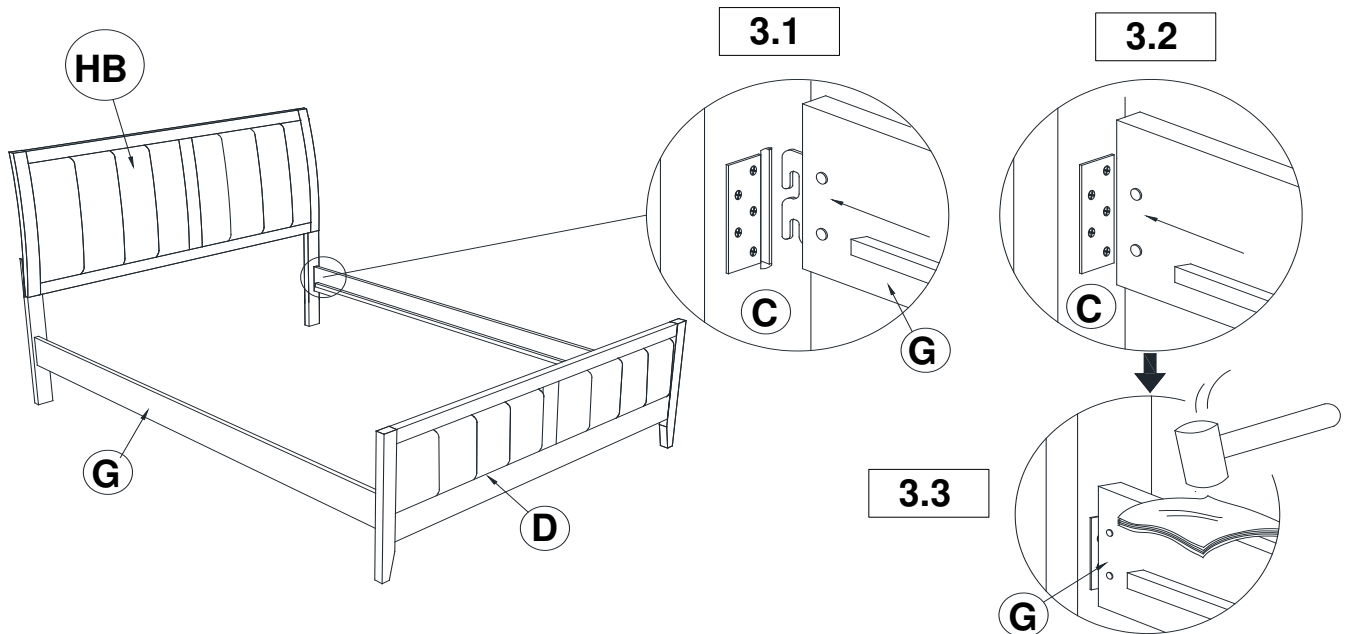
Note: Please take note of the marking sticker (L & R) on the headboard legs.

STEP 2



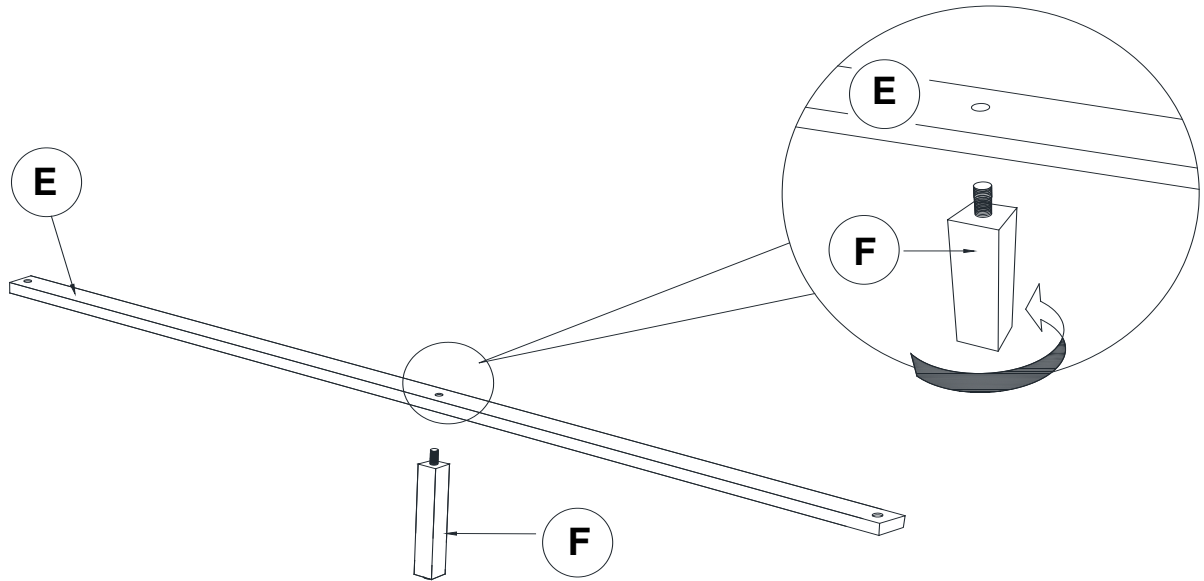
BACK VIEW

STEP 3

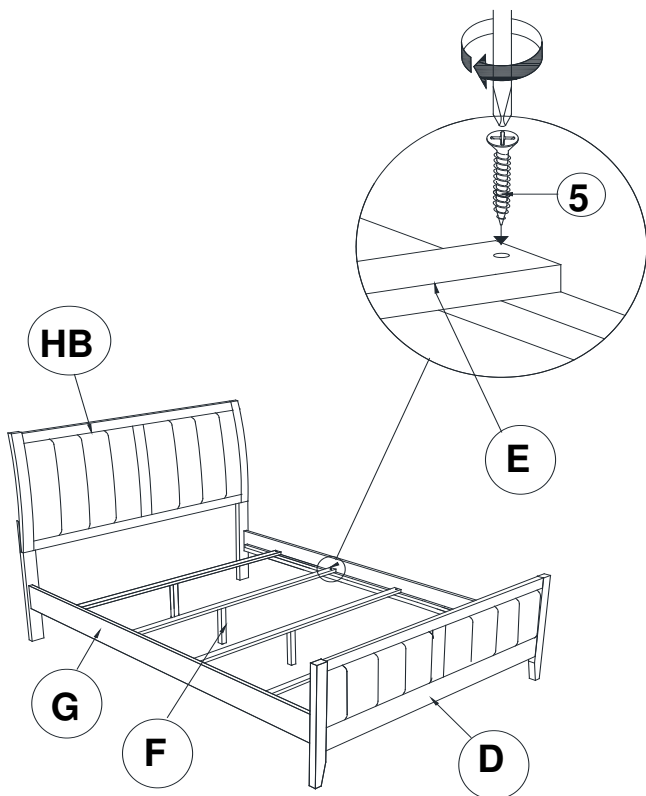


ASSEMBLY INSTRUCTIONS

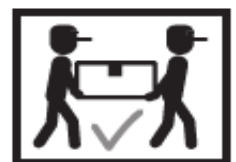
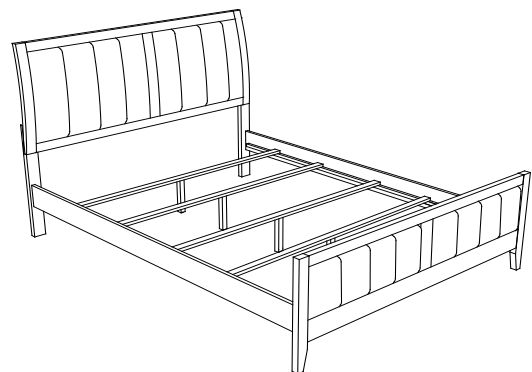
STEP 4



STEP 5



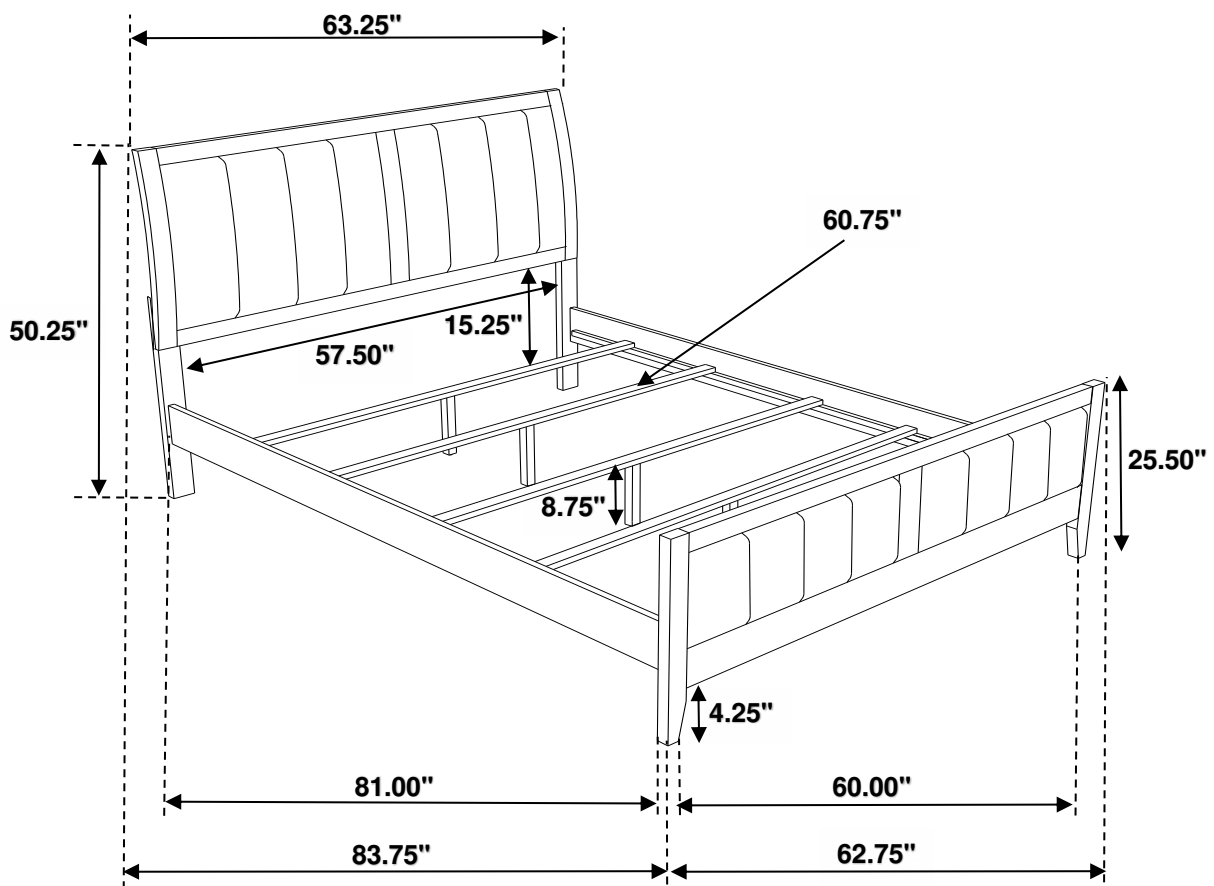
STEP 6
COMPLETE



ITEM: 202091Q (B1&B2)



Inner Size : 61.00"W x 81.00"D



Note: Dimension tolerance $\pm 5\%$

ASSEMBLY INSTRUCTIONS
COASTER FINE FURNITURE



Fine Furniture for every stage of life

202094
Mirror

ITEM: **202094**



ASSEMBLY INSTRUCTIONS

ASSEMBLY TIPS:

1. Remove hardware from box and sort by size.
2. Please check to see that all hardware and parts are present prior to start of assembly.
3. Please follow attached instructions in the same sequence as numbered to assure fast & easy assembly.



WARNING!

1. Don't attempt to repair or modify parts that are broken or defective. Please contact the store immediately.
2. This product is for home use only and not intended for commercial establishments.

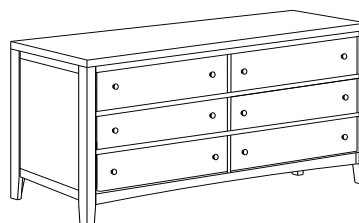


ASSEMBLY TIME

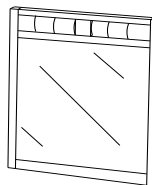
10 MINUTES

PARTS IDENTIFICATION

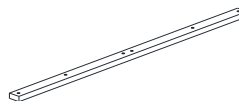
A **DRESSER** **1PC**
FROM BOX ITEM # 202093



B **MIRROR** **1PC**



C **MIRROR SUPPORT** **2PCS**
(PACK WITH DRESSER)



HARDWARE IDENTIFICATION

1 **FLAT HEAD SCREW** **10PCS**
(M4 x 32mm - RBW)



NOTE:

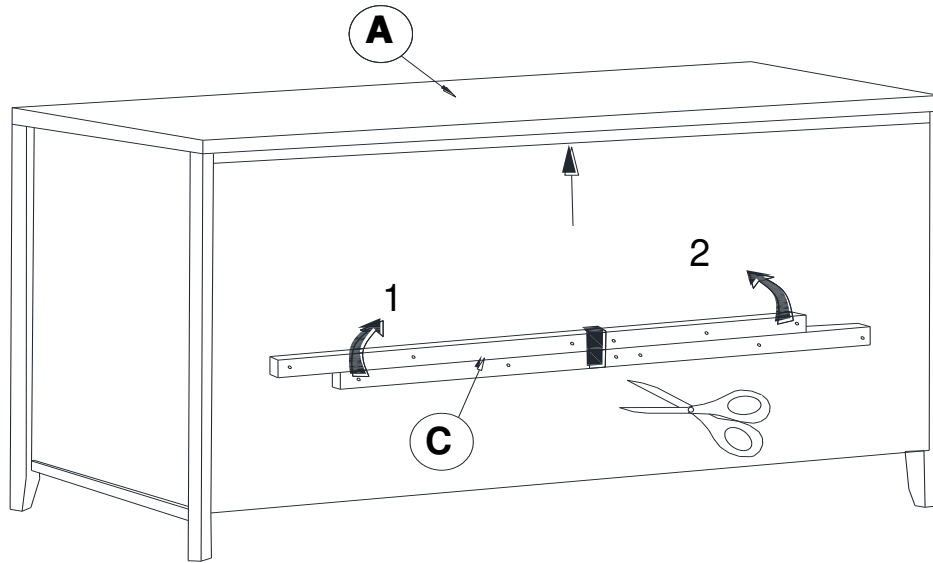
Phillips head screw driver is required in the assembly process; however, manufacturer does not provide this item.

ITEM: 202094

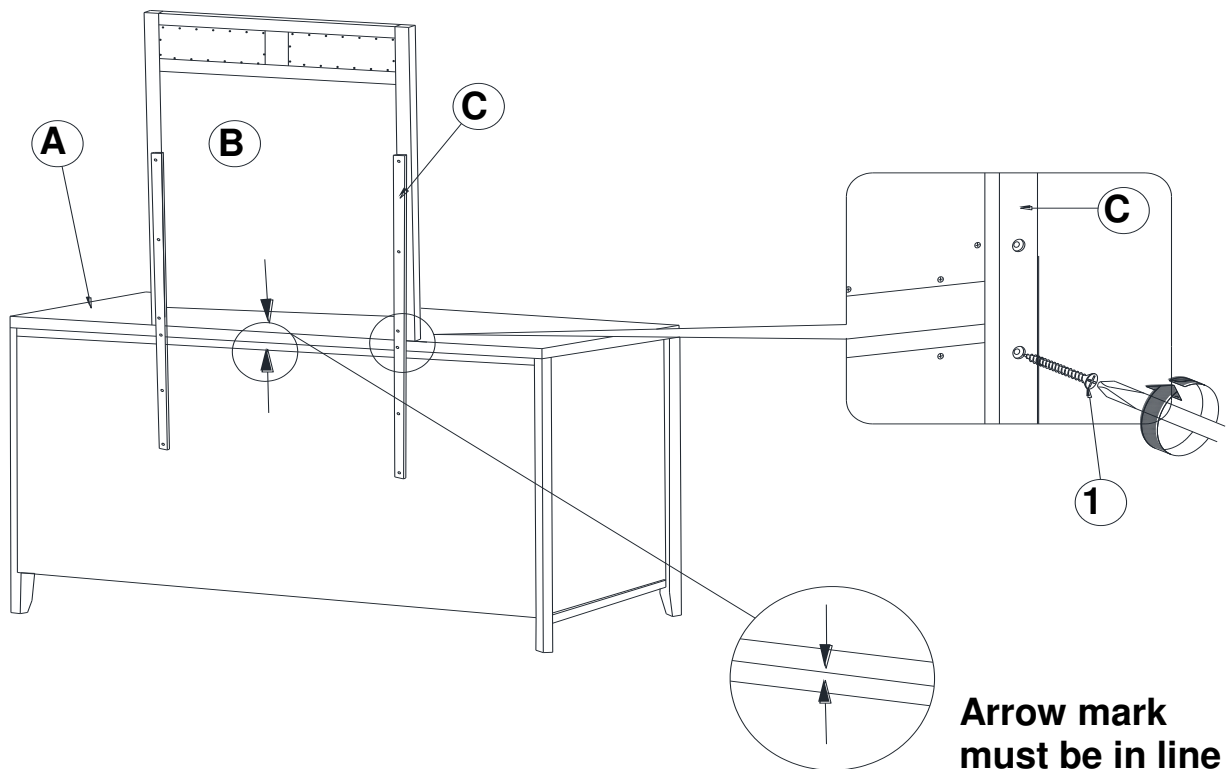


ASSEMBLY INSTRUCTIONS

STEP 1



STEP 2



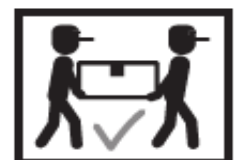
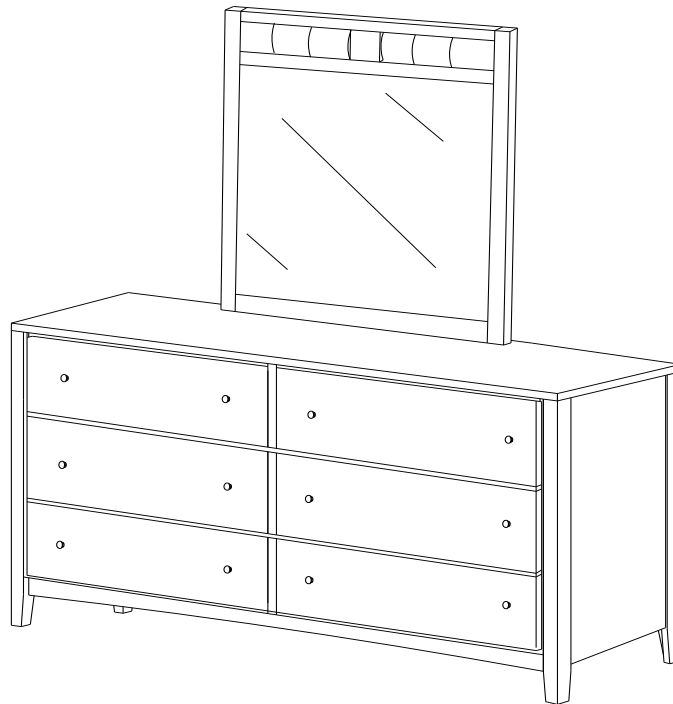
ITEM: **202094**



ASSEMBLY INSTRUCTIONS

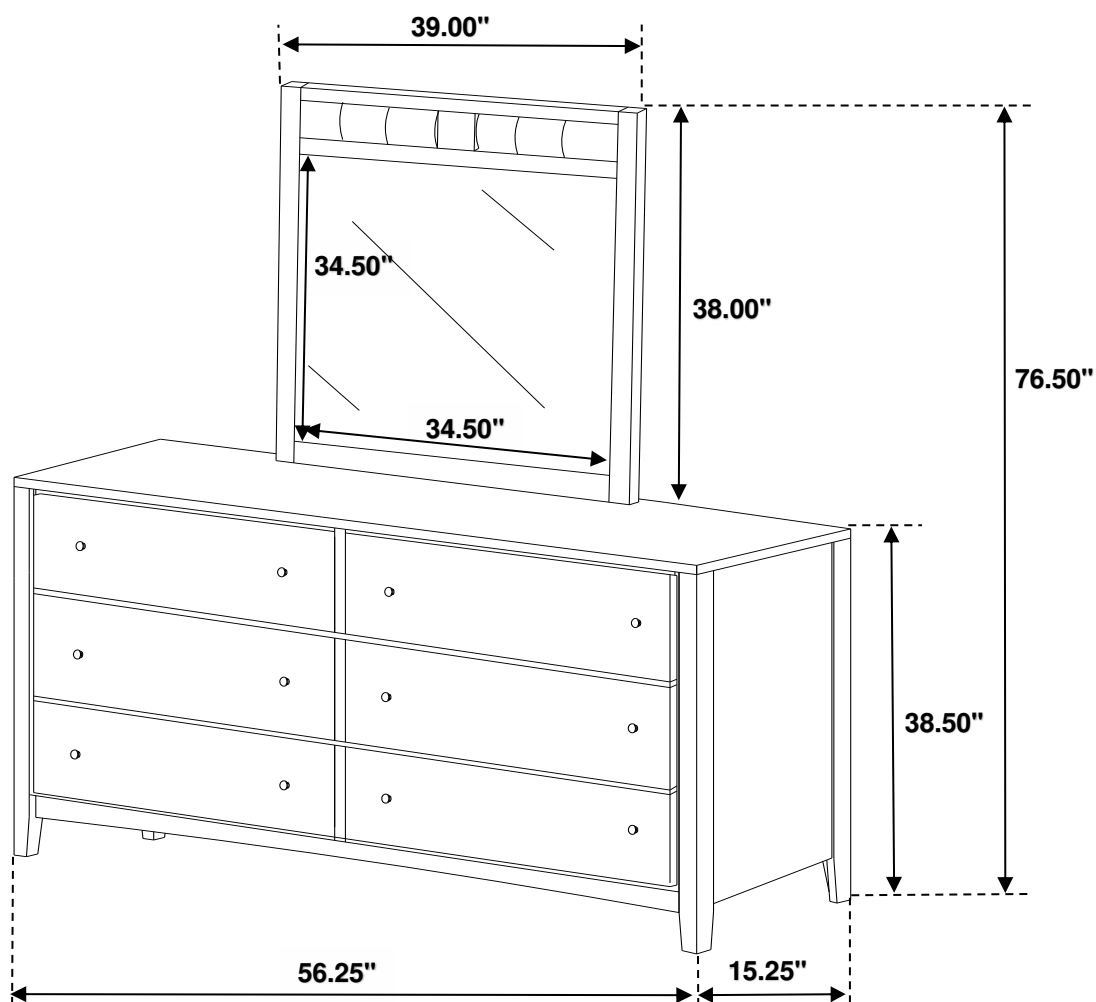
STEP 3

COMPLETE



ITEM:202094

COASTER
FINE FURNITURE



Note : Dimension tolerance $\pm 5\%$